



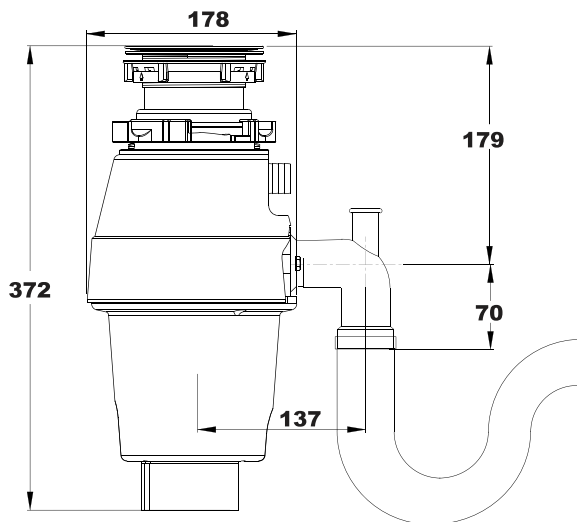
The Crown For Your Kitchen

RD60

SPECIFICATION DATA SHEET

HORSEPOWER	.55 HP
MOTOR SPEED RPM	2600 RPM
VOLTAGE	220v - 240v
WATTAGE	475
AMPS	2.25
CYCLES	50/60
MOTOR TYPE	Permanent Magnet
SPLASH GUARD	Removable
GRIND RING	Stainless Steel
SWIVEL IMPELLERS	Stainless Steel

BALANCED TURNTABLE	Stainless Steel
BALANCED ARMATURE SHAFT	Yes
HOPPER	Corrosion Proof
DRAIN HOUSING	Corrosion Proof
APPLIANCE PROTECTOR	Manual Reset
SINK FLANGE	Stainless Steel Cap on Reinforced Nylon
BEARINGS	Permanently Lubricated, Sleeve Type
SOUND SHELL	Deluxe
SINK WASTE	90 mm
UNIT WEIGHT	4.5 kg



.55 HP FOOD WASTE DISPOSER