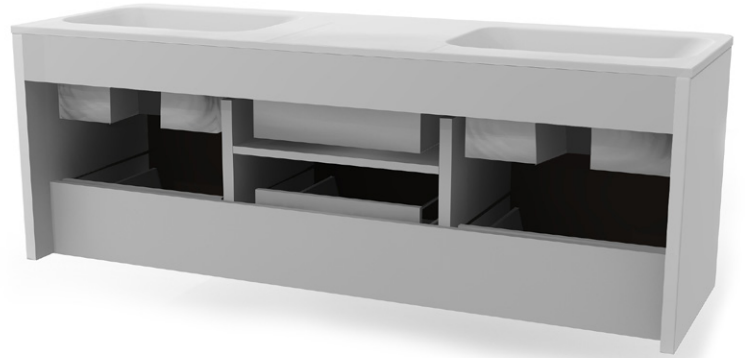




# BARESSA 1400 | TECHNICAL DATASHEET

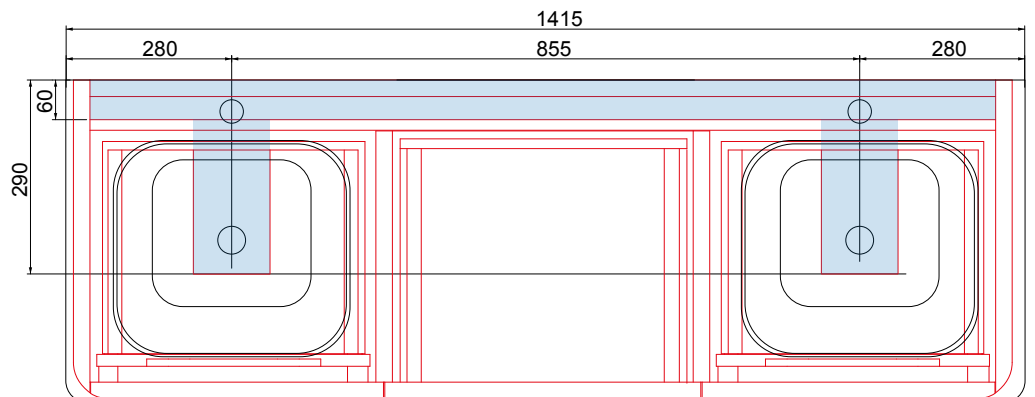
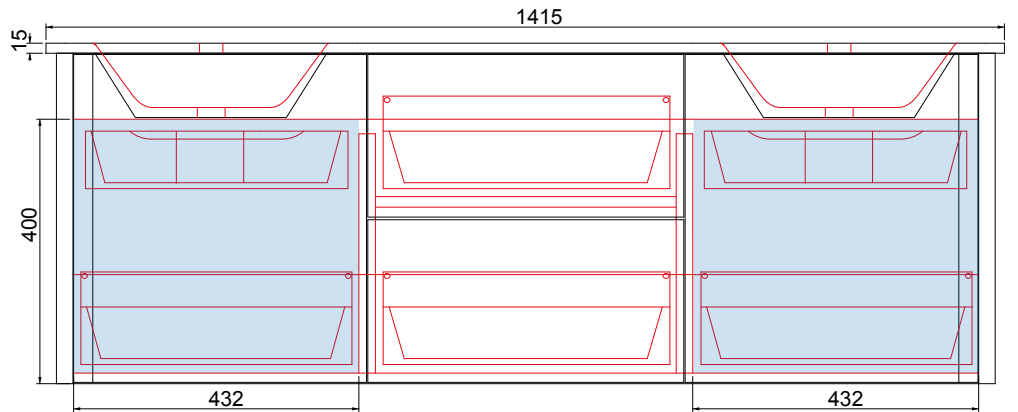
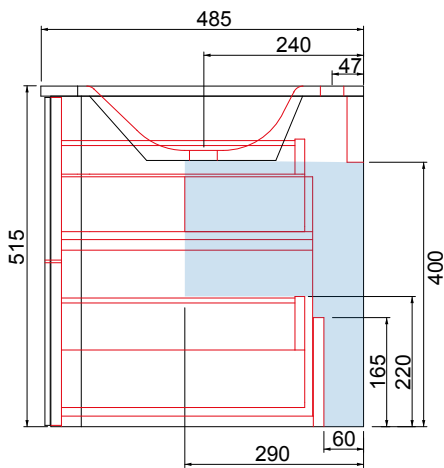
## WALL HUNG VANITY UNIT

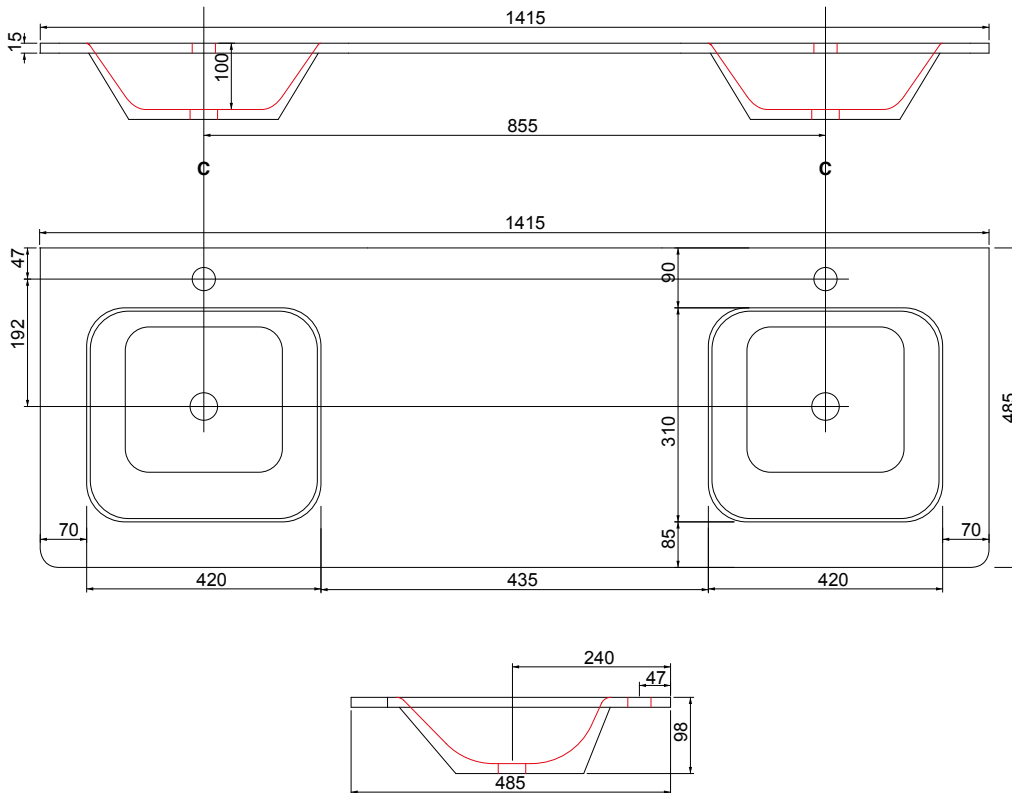


PRODUCT	<b>BARESSA 1400 VANITY UNIT (74KG)</b>
UNIT SIZE	<b>1400w x 480d x 500h</b>
BASIN	<b>MANARO GLASS BASIN (28kg)</b>
BASIN SIZE	<b>1415w x 485d x 15h</b>

### FITTING ADVICE

- The shaded areas indicate the clear voids for the running of services
- This unit is heavy. A secure wall fixing is required
- To aid installation, it is recommended to remove the drawer to give full access and to avoid damage
- Recommended height from floor to top of vanity unit carcass is 710mm
- All wall to carcass and wall to basin joints should be sealed with silicone
- All dimensions are in mm





## GLASS BASINS

Glass basins are perfectly formed and beautiful and benefit from being naturally anti-bacterial. They are a durable alternative to standard basins and are comparable in strength. With no overflow on these basins they have a minimal clean sleek look.

There are two points to watch which could cause fracture or breakage to glass basins; Thermal shock can occur when there is a sudden temperature change of more than 20°C, ambient room temperature should be maintained around 16-23°C & you must avoid pouring hot water over 48°C into a glass basin. The waste assembly must be hand-tightened only.



To aid installation, it is recommended to remove the drawers to give full access and to avoid damage.

1. Familiarise yourself with the wall hanging brackets work.
2. Remove drawer boxes, to gain easier access.
3. Fix the wall plate to the wall.
4. Hang the vanity carcass onto/into the wall brackets locking them together.
5. Adjust until level.
6. Once level, we recommend additional fixings are made through the rear cross rail & using the provided brackets.
7. Silicone around the top of the unit and place basin.
8. Silicone around the unit at wall abutment.
9. Re-fit drawers.

