



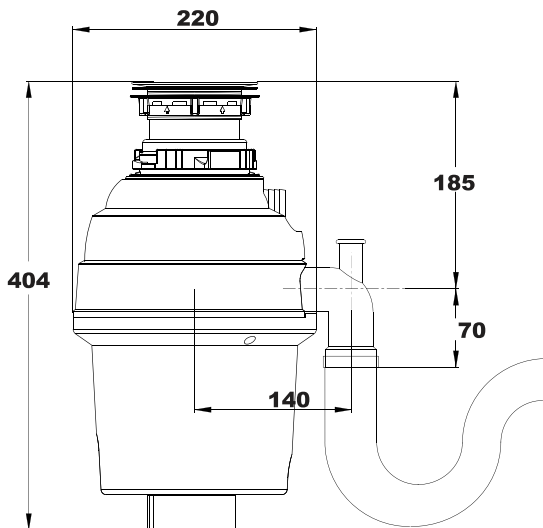
The Crown For Your Kitchen

RD100i (A/S)

SPECIFICATION DATA SHEET

HORSEPOWER	.75 HP
MOTOR SPEED RPM	2700 RPM
VOLTAGE	220v - 240v
WATTAGE	550
AMPS	3.25
CYCLES	50/60
MOTOR TYPE	Permanent Magnet
SPLASH GUARD	Removable
GRIND RING	Stainless Steel
SWIVEL IMPELLERS	Cast Stainless Steel

BALANCED TURNTABLE	Stainless Steel
BALANCED ARMATURE SHAFT	Yes
HOPPER	Corrosion Proof
DRAIN HOUSING	Corrosion Proof
APPLIANCE PROTECTOR	Manual Reset
SINK FLANGE	Stainless Steel Cap on Reinforced Nylon
BEARINGS	Permanently Lubricated, Sleeve Type
SOUND SHELL	Deluxe Plus
SINK WASTE	90 mm
UNIT WEIGHT	6.35 kg



.75 HP FOOD WASTE DISPOSER
INCLUDES BUILT-IN AIR SWITCH OPTION