

alca

Product catalogue 2022

Sanitary systems

System Walls



Content

ALCASYSTEM _____	9	OUTDOOR DRAINAGE SYSTEM _____	121
Alcasystem – profiles _____	12	Outdoor drain channels _____	124
Alcasystem – connectors and anchors _____	12	Outdoor drain channels – accessories _____	134
Alcasystem – accessories _____	13	Universal rain drums _____	136
Alcasystem – WC systems and frames _____	15	Universal rain drums – accessories _____	136
PRE-WALL INSTALLATION SYSTEMS _____	17	FLOOR DRAINS _____	139
Pre-wall installation systems _____	20	Stainless steel floor drains _____	140
Sanitary ware _____	32	Floor drains with design grids _____	141
Pre-wall installation systems – accessories _____	33	Floor drains with stainless steel grids _____	142
Insulation boards _____	35	Floor drains with plastic grids _____	145
Mounting frames for plumbing fixtures _____	37	Floor drains – accessories _____	148
FLUSH PLATES AND SENSORS _____	43	Waterproofing foil _____	150
Flush plates for pre-wall installation systems _____	48	WASTES AND TRAPS _____	153
Sensor program _____	50	Bath wastes and traps _____	154
Remote flushing _____	52	Shower wastes and traps _____	162
VALVES _____	55	Wash-basin wastes and traps _____	167
Fill valves _____	58	Metal program _____	169
Flush valves _____	59	Sink wastes and traps _____	177
Plastic WC cisterns _____	60	Wash-basin and sink wastes and traps – accessories _____	182
Fill and flush kits _____	61	Urinal and bidet traps _____	185
Valves – accessories _____	63	Traps for dripping condensation _____	186
WC SEATS _____	65	Washing machine traps _____	187
WC seats Antibacterial _____	72	Washing machine traps – accessories _____	187
WC seats Basic Antibacterial _____	72	FLEXI PIPES _____	191
WC seats Duroplast _____	72	Flexi pipes PREMIUM _____	192
WC seats SOFTCLOSE _____	73	Flexi pipes – accessories _____	193
WC seats SLIM _____	74	WC ACCESSORIES _____	195
WC seats – hinges _____	75	WC flexi connectors _____	196
LINEAR DRAINS _____	79	WC connectors _____	196
Linear shower drains _____	80	Air admittance heads _____	198
Waste systems _____	92	Bath access doors _____	199
Corner shower drain _____	93	PRODUCT LINES _____	200
Linear shower drains Antivandal _____	94	Program INDIVIDUAL _____	200
Linear shower drains – accessories _____	95	Program BLACK-MATT _____	202
Plastic linear shower drains _____	96	Program WHITE-POLISHED _____	204
Stainless steel strips for sloped floor _____	101	Program BRONZE-ANTIC _____	205
TAILOR MADE STAINLESS STEEL PRODUCTS _____	105	Program BRASS _____	206
Point drains _____	106	PRODUCT NEWS 2022 _____	207
Box drains _____	107	INDEX _____	218
Slotted drains _____	112		
Drainage channels _____	114		
Swimming pool grates _____	118		

New	For outdoor use	Hole diameter in shower tray	For wooden construction houses
Flushing system 2/4 l	For interior use	Material with antibacterial properties	Top actuation
Extended guarantee	For use indoors and outdoors	Simple WC seat removal system	Maximum load up to 1,5 t
One-button START/STOP flushing system	System with connector for extraction fan	WC seat slow-closing safety system	Maximum load up to 5 t
Two-button DUAL 3/6 l flushing system	Combined odour trap SMART	Load class	WC tablets dispenser

Czech tradition and world design is what makes us Alcadrain



CZECH PRODUCTS FROM CZECH ENGINEERS
Quality, technical solutions, innovation, design – these are the primary characteristics of Alcadrain products. High level of professionalism and skill of our Czech technicians is based on the historical tradition of Czech industry, which is over 100 years old, and renowned worldwide for its top quality products that are modern and extremely reliable.

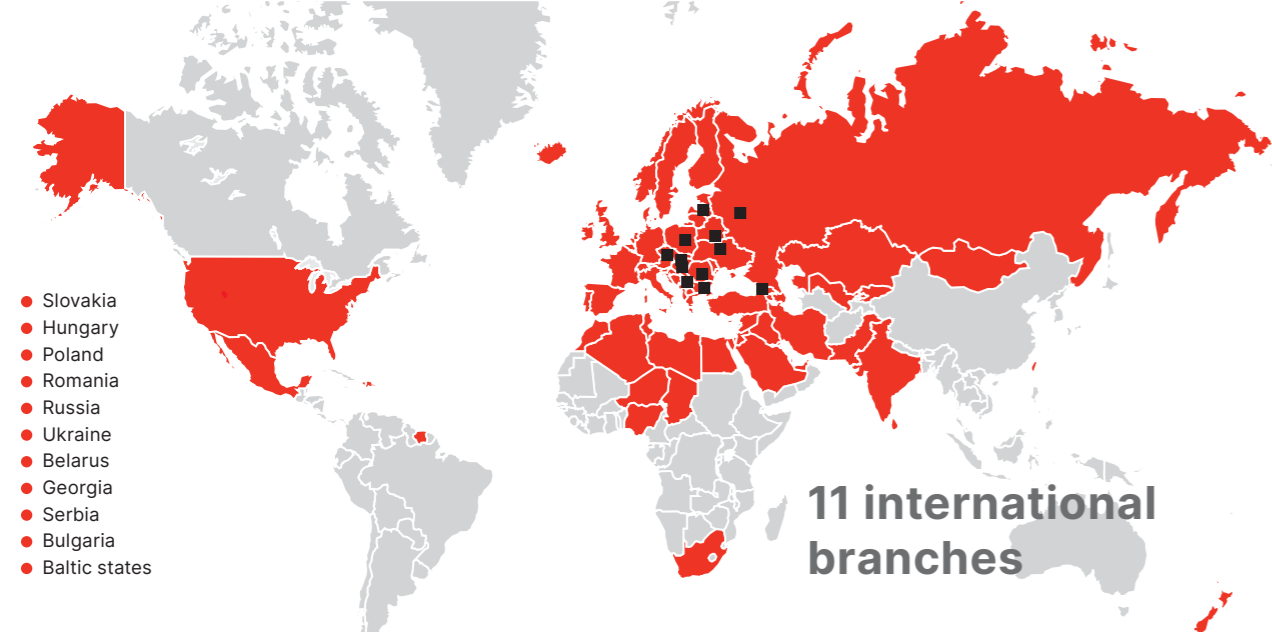
ALCA – A PREMIUM BRAND
The premium brand ALCA incorporates a range of design products with high utility value. Alcadrain is the creator of the new trends in sanitary technology. Our cooperation with leading Czech designers in creating new product lines has won us several prestigious awards.

COMPANY FOUNDATION

Alcadrain company was founded in 1998 under a name Alcaplast by wife and husband Radka Prokopová and František Fabičovic. Since they have started manufacturing of the first inlet and outlet valves in Břeclav, they expanded and upgraded its portfolio of products significantly. In 2022, Alcaplast changed its name to Alcadrain and became part of the Alca Group. Currently Alcadrain with its wide range of products fits into the role of market leader indicating trends on the field of sanitary systems in Central and Eastern Europe, with expansion into many other countries.

ALCADRAIN INTERNATIONAL

We design our products so that they can simplify life across many countries. Thanks to the fact that they are universal and meet demanding international standards, this is not a problem. Alcadrain distribution warehouses and sales teams in countries outside of the Czech Republic provide flexible communication and service to our customers.



FLUSH PLATES NIGHT LIGHT AND FLAT – WORLD DESIGN

Alcadrain indicates trends in the world of design. This is confirmed by two awards, which the company received in recent years. Prestigious iF Design Award 2018 evaluated the novelty – touch-free flush plate NIGHT LIGHT – the winner in the Product category of the Bathrooms section. Their predecessor, the collection of flush plates FLAT, was rewarded by the jury at the Red Dot Award product design competition in 2014.

ECOLOGICAL PRODUCTION

Alcadrain company is a long-term investor into ecologically friendly production. The reduction of the negative impact of its production on the environment is one of the company's top priorities. That is why the production processes are designed in ways that prevent waste creation and any waste that may be produced can be re-used in production. The residual production heat is also recycled and used to heat buildings or, once it is transformed into cooling through the process of trigeneration, is used to cool machinery. The continual modernisation of the production process reduces the company's demands on electrical energy consumption. Furthermore, part of this electrical energy consumption is produced from renewable resources emanating from the production process.



BEST 100 CZECH COMPANIES

For the fourth consecutive year Alcadrain defended its position among the hundred most successful Czech companies. In 2021, Alcadrain took an excellent 50th place.

EY ENTREPRENEUR OF THE YEAR 2018

Alcadrain owners won the national round of the prestigious competition of entrepreneurs EY Entrepreneur of 2018.

TOP WOMEN OF THE CZECH REPUBLIC

The Executive Director, Radka Prokopova, has defended her previous year's victory in the businesswoman category of the prestigious 'Top women of the Czech Republic' survey. The judges evaluated the influence, performance and the business story, as well as the social contribution.

We have been making your live easier and more stylish for over 24 years

1999
First inlet fill valve CH11



2000

2001
New production facilities



Introduction of premium product range ALCA



Alca PLAST Academy
SKOLICI STREDISKO TRAINING CENTRE

2009



Alcaplast Academy was established to support education of customers



reddot award 2014 winner
We have been rewarded Red Dot Award 2014 for collection of flush plates FLAT

2015



Opening of production Hall D



We have been rewarded iF Design Award 2018 for flush plates NIGHT LIGHT

alcadrain



2017-2021

CZECH 100 BEST
The success in the Best 100 Czech companies competition regularly confirms Alcadrain's exceptional position in the economic system of the Czech Republic

2018 Opening of Hall C



We opened the largest production hall in history of the company with an area of 20 000 m²

60 000 m²
PRODUCTION AREA

alcaGROUP

Alcaplast, s.r.o. changed its name to Alcadrain s.r.o. and became part of the Alca Group



1999

Bath pop-up waste

2003

Launch of production of pre-wall installation systems

2009



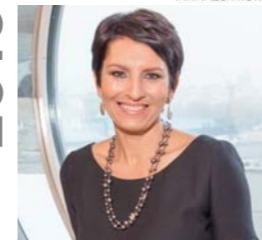
Launch of production of stainless steel shower drains ALCA

2012



Opening of production Hall B

2016



Victory of our Executive Director Radka Prokopová in the most prestigious managerial competition in the Czech Republic "Manager of the Year 2015"

2019



EY Entrepreneur Of The Year in the Czech Republic
2018 Award Winner

2020

Opening of a hall in Romania



A new hall with an area of 1500 m² is opened in Sibiu, Romania

2021

Alcasystem
A new, faster way to build up – save time and labor

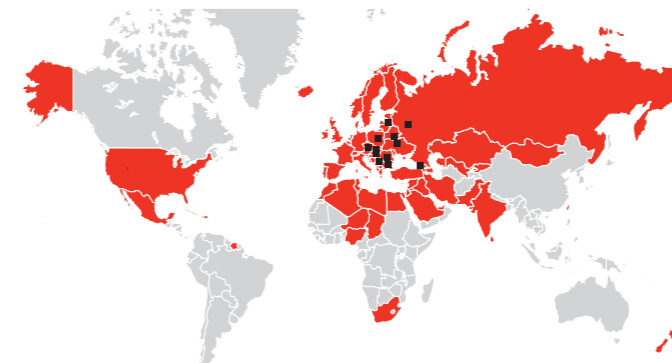


1998

Alca PLAST



COMPANY FOUNDATION
The Czech family based company was founded in 1998



ELEVEN INTERNATIONAL BRANCHES ALCADRAIN
EXPORT TO MORE THAN 70 COUNTRIES WORLDWIDE



alca

Alcasystem

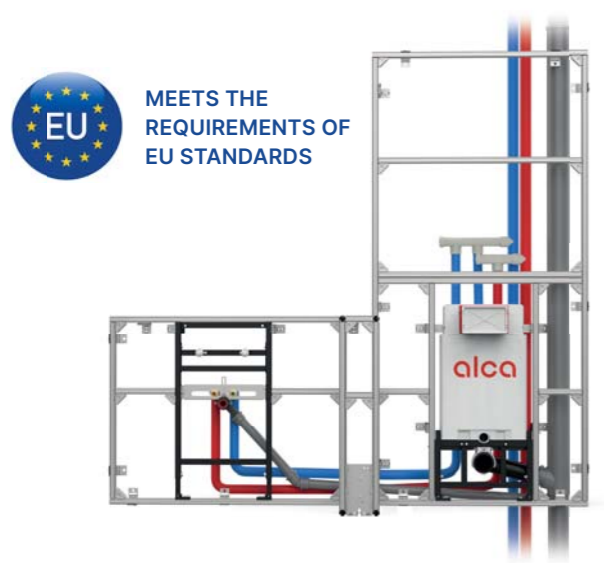
Alcasystem

Alcasystem	10
Alcasystem – profiles	12
Alcasystem – connectors and anchors	12
Alcasystem – accessories	13
Alcasystem – WC systems and frames	15

Alcasystem – system walls



up to **6x**
faster



EU MEETS THE REQUIREMENTS OF EU STANDARDS

up to **40 %** lighter than brick construction

- Fast and clean construction
- Low weight, high solidity
- High load-bearing capacity of the wall
- Own production and stock
- Perfectly precise and straight walls

The extended warranty of 15 years applies to the installation of the entire system (including water distribution and installation frames) by a specialized company.

Alcasystem is one solution for technical wiring in the construction of bathrooms, toilets and kitchens.

Above all, it opens up completely new possibilities for self-help construction as well as for large projects. Significant acceleration, sophisticated technology and cost savings.

A wall up to 6 meters high and arbitrarily wide can be built from three basic elements

Even a less qualified worker without extensive construction experience can handle it. We can also assemble the pre-wall for you and deliver it to the construction site.

DEVELOPED AND CERTIFIED

AS-4500
System profile 4.5 m



Quantity (packing)	25 pcs
Quantity (pallet)	- pcs
Material	galvanized steel

AS-P001
Corner connector



Quantity (packing)	100 pc
Quantity (pallet)	- pcs
Material	galvanized steel

AS-P002
Profile connector



Quantity (packing)	30 pc
Quantity (pallet)	- pcs
Material	polyamide (PA)

AS-P013
Profile holder, double 186



Quantity (packing)	20 pcs
Quantity (pallet)	- pcs
Material	galvanized steel

AS-P014
Profile holder, double 241



Quantity (packing)	20 pcs
Quantity (pallet)	- pcs
Material	galvanized steel

AS-P015
Profile lock



Quantity (packing)	40 pcs
Quantity (pallet)	- pcs
Material	galvanized steel

AS-P003
Handle washer



Quantity (packing)	100 pc
Quantity (pallet)	- pcs
Material	rubber

AS-P004
Waste pipe holder for WC systems DN110



Quantity (packing)	10 pc
Quantity (pallet)	- pcs
Material	galvanized steel

AS-P005
Pipe holder DN25-30



Quantity (packing)	10 pc
Quantity (pallet)	- pcs
Material	galvanized steel

AS-P016
Profile holder, simple 222



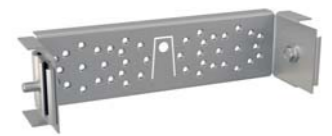
Quantity (packing)	20 pcs
Quantity (pallet)	- pcs
Material	galvanized steel

AS-P018
Profile lock - extended 186



Quantity (packing)	20 pcs
Quantity (pallet)	- pcs
Material	galvanized steel

AS-P021
Showerhead console



Quantity (packing)	20 pcs
Quantity (pallet)	- pcs
Material	galvanized steel

AS-P006
Waste holder DN48-53



Quantity (packing)	pc
Quantity (pallet)	- pcs
Material	galvanized steel

AS-P011
Profile holder, simple 150



Quantity (packing)	30 pcs
Quantity (pallet)	- pcs
Material	galvanized steel

AS-P012
Profile holder, simple 85



Quantity (packing)	50 pcs
Quantity (pallet)	- pcs
Material	galvanized steel

AS-P022
Hydrometer console



Quantity (packing)	20 pcs
Quantity (pallet)	- pcs
Material	galvanized steel

AS-P024
Installation frame for waste and trap to connect 2 appliances



Quantity (packing)	5 pcs
Quantity (pallet)	- pcs
Material	-

AS-P031
L-Profile for fillings 200 mm



Quantity (packing)	20 pcs
Quantity (pallet)	- pcs
Material	galvanized steel

AS-P041
Anchoring flap



Quantity (packing)	5 pcs
Quantity (pallet)	- pcs
Material	galvanized steel

AS-P051
Threaded rod M8×1000



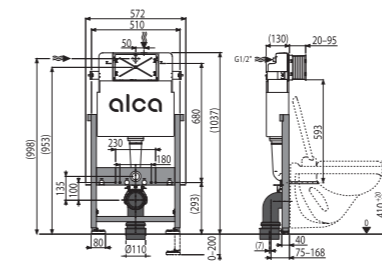
Quantity (packing)	1 pc
Quantity (pallet)	- pcs
Material	galvanized metal

AS-P052
Dowel 10×80 with screw



Quantity (packing)	50 pc
Quantity (pallet)	- pcs
Material	galvanized metal, plastic

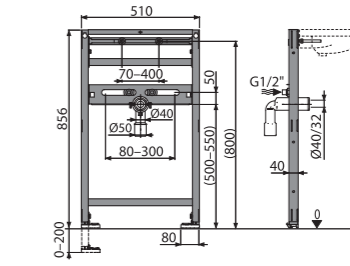
AS101 Sádromodul
Pre-wall installation system for dry build up (plasterboard)



Quantity (packing)	1 pc
Quantity (pallet)	20 pcs
Dimensions (piece)	1177×575×132 mm
Weight (piece)	11,29 kg
Installation height	1037 mm

15

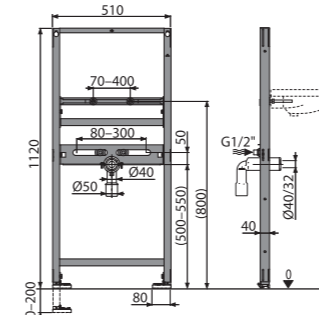
AS104/850
Mounting frame for wash-basin



Quantity (packing)	1 pc
Quantity (pallet)	30 pcs
Dimensions (piece)	1170×400×78 mm
Weight (piece)	7,68 kg
Installation height	856 mm

15

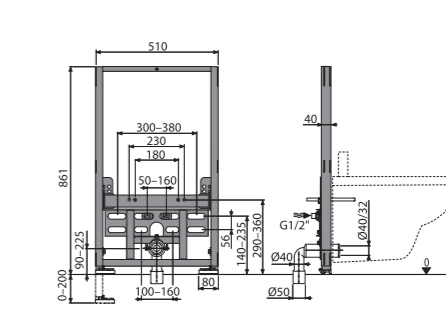
AS104/1120
Mounting frame for wash-basin



Quantity (packing)	1 pc
Quantity (pallet)	30 pcs
Dimensions (piece)	1170×400×78 mm
Weight (piece)	8,35 kg
Installation height	1120 mm

15

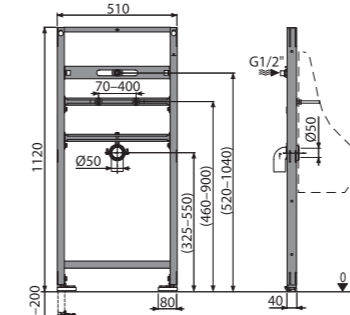
AS105/850
Mounting frame for bidet



Quantity (packing)	1 pc
Quantity (pallet)	18 pcs
Dimensions (piece)	1190×523×90 mm
Weight (piece)	10 kg
Installation height	850 mm

15

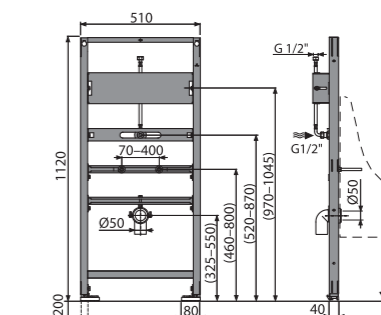
AS107/1120
Mounting frame for urinal



Quantity (packing)	1 pc
Quantity (pallet)	30 pcs
Dimensions (piece)	1170×400×78 mm
Weight (piece)	8,43 kg
Installation height	1120 mm

15

AS107S/1120
Mounting frame for urinal and sensor



Quantity (packing)	1 pc
Quantity (pallet)	30 pcs
Dimensions (piece)	1170×400×78 mm
Weight (piece)	10,04 kg
Installation height	1120 mm

15



Pre-wall installation systems

Pre-wall installation systems	20
Pre-wall installation systems ECOLOGY	24
Pre-wall installation systems with ventilation	26
Pre-wall installation systems with top or front actuation	27
Pre-wall installation systems for wooden construction houses	29
Pre-wall installation systems for people with reduced mobility	30
Pre-wall installation systems Slim	31
Sanitary ware	32
Pre-wall installation systems – accessories	32
Insulation boards	35
Mounting frames for plumbing fixtures	37

Innovation in the pre-wall installation systems ALCA

INNOVATION IN ATTACHMENT OF AN ANGLE VALVE TO THE CISTERN

Easier and faster installation to the water supply
 Innovated cistern with a new all-in-one angle valve Shell.

INSTALLATION HOLES

Universal installation options

Thanks to the holes in the mounting frames, the installation system can be easily mounted in to plasterboard constructions, portable cabins or wooden constructions.

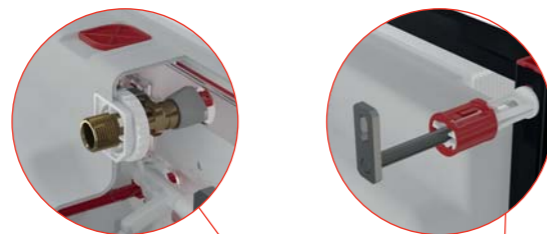
THREADED ROD WITH GROOVES

More convenient installation of WC bowl

The threaded rods newly include a groove for a speedier installation.

NEW RELIABLE FILL VALVE

Silent, fast, exceptionally durable
 Specially developed for the pressure range of 0.05–1.6 MPa (0.5–16 bar). Exceptionally resistant to impurities in water.



EASY LOCK – A SET FOR WALL MOUNTING

Faster and easier installation
 New construction solution allows an easy mount of the frame to a wall in half the time.

Exact setting
 Optional additional adjustment to an optimal position using an allen key accessed via the front of the frame.

NEW CISTERN HANGING CLIPS WITH TWO-COMPONENT INSULATION

Anti-noise solution/insulation
 Thanks to the two-component material, the transmission of vibrations from the attachment between the cistern and the frame is isolated.

Convenient installation
 The tilting of the cistern forward allows the installation in to a plasterboard construction, portable cabins and wooden constructions.

WC TABLETS DISPENSER

Perfect hygiene of the WC bowl
 Discreet hygienic solution for all types of ceramic WC bowls. Also ideal for rimless WC bowls.

100% compatibility
 It is compatible with all standard ALCA modules (with the exception of Slim and WOOD), inclusive of older WC systems.



Dispenser for inserting of WC tablets

- Included with each innovated WC system ALCA *
- Discreet toilet freshener
- Hygienic cleanliness of WC bowl – the ideal solution for rimflow WC bowls
- Easy operation
- Suitable for all types of WC cistern tablets
- Compatible with all ALCA pre-wall installation systems inclusive of older types *



* (with the exception of the Slim and WOOD systems)



INCLUDED IN THE INNOVATED WC SYSTEMS

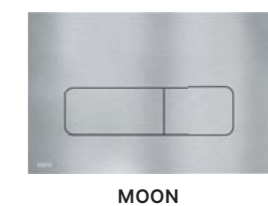
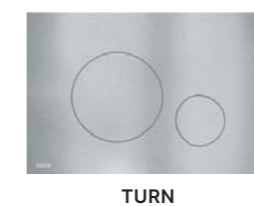
Dispenser of WC tablets is included with all innovated ALCA WC systems (with the exception of the Slim and WOOD systems) and is included in the price. (with the exception of the Slim and WOOD systems).

SEPARATE WC TABLETS DISPENSER
 It is possible to add a WC tablets dispenser to older, already existing built-in types of ALCA systems (with the exception of Slim and WOOD) using the order code P169.

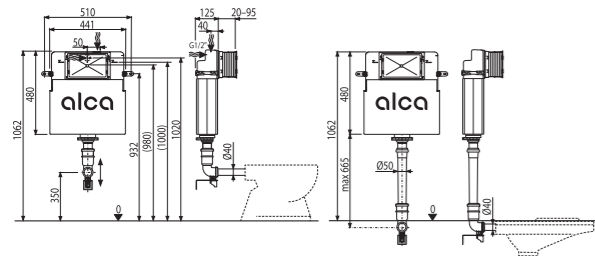


TILTING MECHANISM FOR EASIER INSERTION OF WC TABLETS

- Compatible with flush plates THIN, FUN, TURN, AIR and MOON in all surface finishes



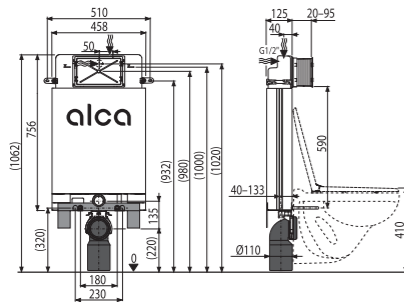
AM112 Basicmodul
Wall concealed WC cistern



Quantity (packing)	1 pc
Quantity (pallet)	20 pcs
Dimensions (piece)	1050×480×140 mm
Weight (piece)	4,5453 kg
Small/big flush	2,5-3,5 l/6-9 l
Installation height	1062 mm



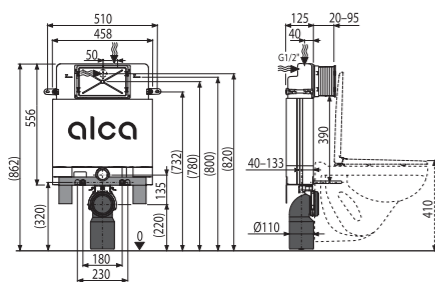
AM100/1000 Alcamodul
Pre-wall installation system for building into solid walls



Quantity (packing)	1 pc
Quantity (pallet)	20 pcs
Dimensions (piece)	1045×140×475 mm
Weight (piece)	7,48 kg
Small/big flush	2,5-3,5 l/6-9 l
Installation height	1062 mm



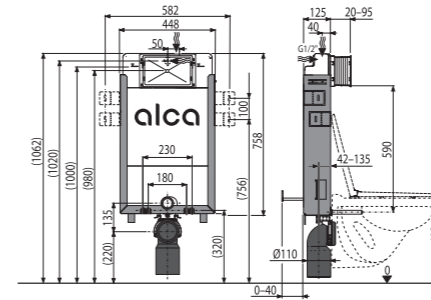
AM100/850 Alcamodul
Pre-wall installation system for building into solid walls



Quantity (packing)	1 pc
Quantity (pallet)	20 pcs
Dimensions (piece)	1045×140×475 mm
Weight (piece)	7,0327 kg
Small/big flush	2,5-3,5 l/6-9 l
Installation height	862 mm



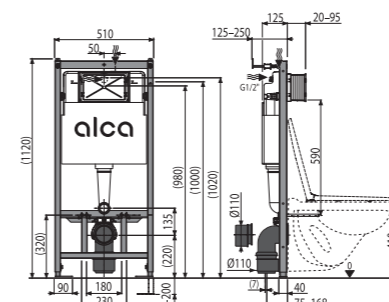
AM115/1000 Renovmodul
Pre-wall installation system for building into solid walls



Quantity (packing)	1 pc
Quantity (pallet)	20 pcs
Dimensions (piece)	1045×140×475 mm
Weight (piece)	9,7968 kg
Small/big flush	2,5-3,5 l/6-9 l
Installation height	1062 mm



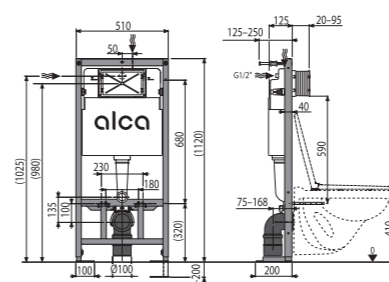
AM101/1120 Sádromodul
Pre-wall installation system for dry build up (plasterboard)



Quantity (packing)	1 pc
Quantity (pallet)	20 pcs
Dimensions (piece)	1130×145×520 mm
Weight (piece)	13,8879 kg
Small/big flush	2,5-3,5 l/6-9 l
Installation height	1120 mm



AM101/1120F Sádromodul
Pre-wall installation system for dry build up (plasterboard)

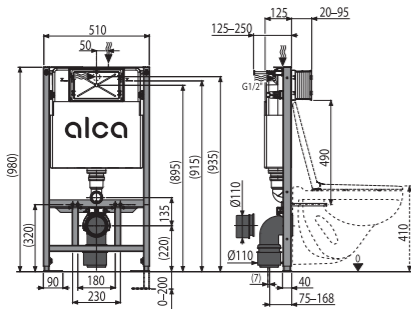


Quantity (packing)	1 pc
Quantity (pallet)	20 pcs
Dimensions (piece)	1130×145×520 mm
Weight (piece)	13,8879 kg
Small/big flush	2,5-3,5 l/6-9 l
Installation height	1120 mm



AM101/1000 Sádromodul

Pre-wall installation system for dry build up (plasterboard)

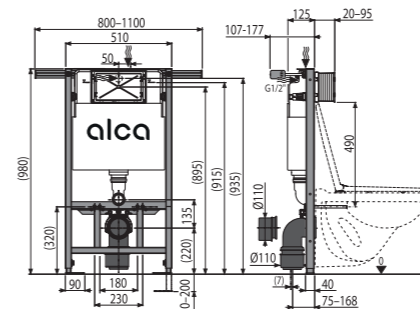


Quantity (packing)	1 pc
Quantity (pallet)	20 pcs
Dimensions (piece)	1130×145×520 mm
Weight (piece)	13,3652 kg
Small/big flush	2,5-3,5 l/6-9 l
Installation height	1062 mm



AM102/1000 Jádromodul

Pre-wall installation system for dry build up (especially for renovation of concrete panel housing units)

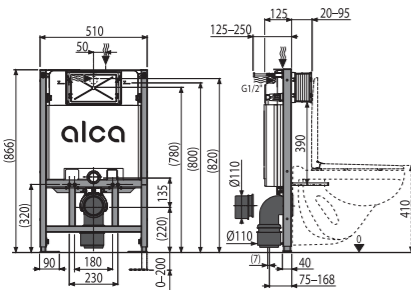


Quantity (packing)	1 pc
Quantity (pallet)	15 pcs
Dimensions (piece)	1130×145×520 mm
Weight (piece)	15,9829 kg
Small/big flush	2,5-3,5 l/6-9 l
Installation height	980 mm



AM101/850 Sádromodul

Pre-wall installation system for dry build up (plasterboard)

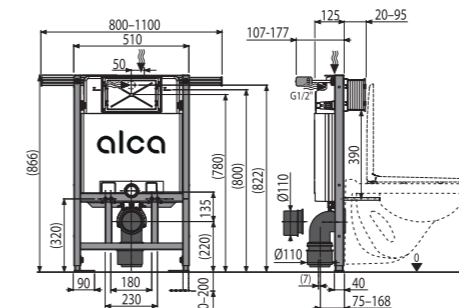


Quantity (packing)	1 pc
Quantity (pallet)	15 pcs
Dimensions (piece)	1130×145×520 mm
Weight (piece)	13,0316 kg
Small/big flush	2,5-3,5 l/6-9 l
Installation height	866 mm



AM102/850 Jádromodul

Pre-wall installation system for dry build up (especially for renovation of concrete panel housing units)

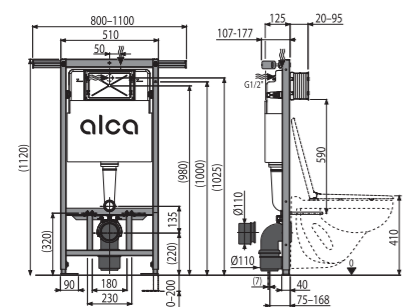


Quantity (packing)	1 pc
Quantity (pallet)	15 pcs
Dimensions (piece)	1130×145×520 mm
Weight (piece)	15,6493 kg
Small/big flush	2,5-3,5 l/6-9 l
Installation height	866 mm



AM102/1120 Jádromodul

Pre-wall installation system for dry build up (especially for renovation of concrete panel housing units)

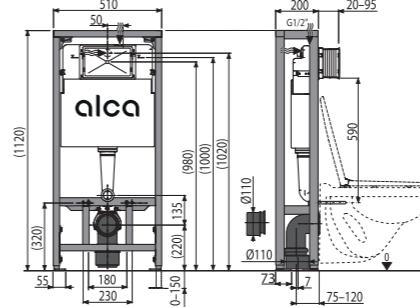


Quantity (packing)	1 pc
Quantity (pallet)	15 pcs
Dimensions (piece)	1130×145×520 mm
Weight (piece)	16,3248 kg
Small/big flush	2,5-3,5 l/6-9 l
Installation height	1120 mm



AM116/1120 Solomodul

Pre-wall installation system for dry build up (self-supporting)

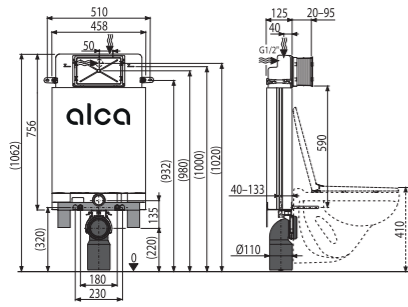


Quantity (packing)	1 pc
Quantity (pallet)	12 pcs
Dimensions (piece)	1195×220×525 mm
Weight (piece)	20,5019 kg
Small/big flush	2,5-3,5 l/6-9 l
Installation height	1120 mm



AM100/1000E Alcamodul

Pre-wall installation system ECOLOGY for building into solid walls

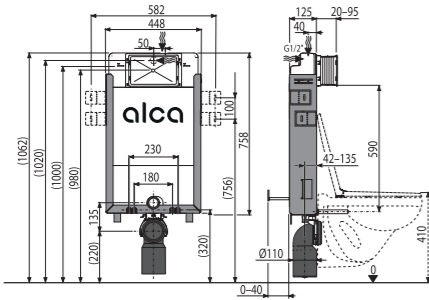


Quantity (packing)	1 pc
Quantity (pallet)	20 pcs
Dimensions (piece)	1045×140×475 mm
Weight (piece)	7,2856 kg
Small/big flush	2-4 l/3,5-6 l
Installation height	1062 mm



AM115/1000E Renovmodul

Pre-wall installation system ECOLOGY for building into solid walls

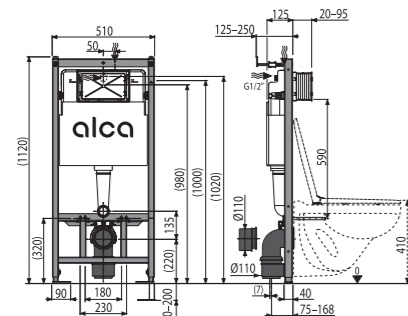


Quantity (packing)	1 pc
Quantity (pallet)	20 pcs
Dimensions (piece)	1045×140×475 mm
Weight (piece)	9,8327 kg
Small/big flush	2-4 l/3,5-6 l
Installation height	1062 mm



AM101/1120E Sádromodul

Pre-wall installation system ECOLOGY for dry build up (plaster-board)

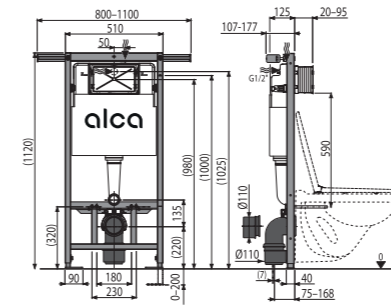


Quantity (packing)	1 pc
Quantity (pallet)	15 pcs
Dimensions (piece)	1130×145×520 mm
Weight (piece)	13,6405 kg
Small/big flush	2-4 l/3,5-6 l
Installation height	1120 mm



AM102/1120E Jádromodul

Pre-wall installation system ECOLOGY for dry build up (especially for renovation of concrete panel housing units)

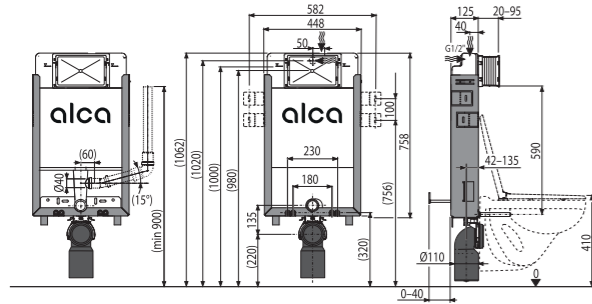


Quantity (packing)	1 pc
Quantity (pallet)	15 pcs
Dimensions (piece)	1130×145×520 mm
Weight (piece)	16,2582 kg
Small/big flush	2-4 l/3,5-6 l
Installation height	1120 mm



AM115/1000V Renovmodul

Pre-wall installation system with ventilation for building into solid walls

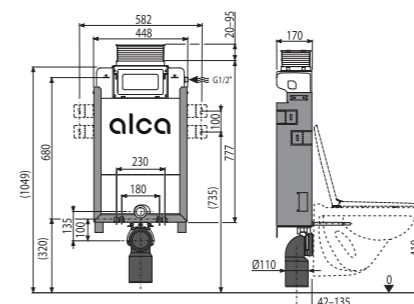


Quantity (packing)	1 pc
Quantity (pallet)	20 pcs
Dimensions (piece)	1045×140×475 mm
Weight (piece)	9,9458 kg
Small/big flush	2,5–3,5 l/6–9 l
Installation height	1062 mm



AM119/1000 Renovmodul

Pre-wall installation system for building into solid walls with top or front actuation

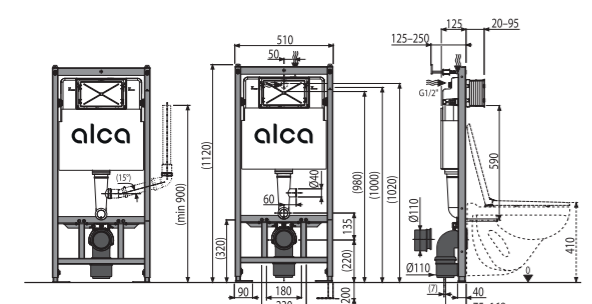


Quantity (packing)	1 pc
Quantity (pallet)	16 pcs
Dimensions (piece)	1040×465×180 mm
Weight (piece)	9,2355 kg
Small/big flush	2,5–3,5 l/6–9 l
Installation height	1062 mm



AM101/1120V Sádromodul

Pre-wall installation system with ventilation for dry build up (plasterboard)

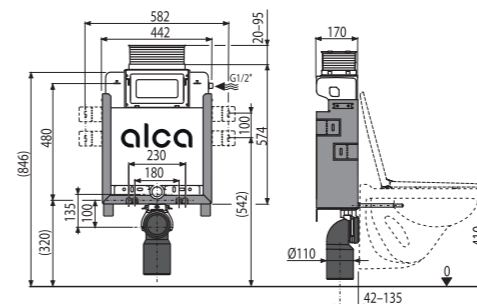


Quantity (packing)	1 pc
Quantity (pallet)	20 pcs
Dimensions (piece)	1130×145×520 mm
Weight (piece)	13,6676 kg
Small/big flush	2,5–3,5 l/6–9 l
Installation height	1120 mm



AM119/850 Renovmodul

Pre-wall installation system for building into solid walls with top or front actuation

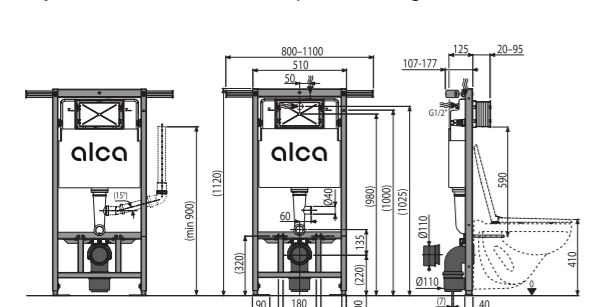


Quantity (packing)	1 pc
Quantity (pallet)	16 pcs
Dimensions (piece)	1040×465×180 mm
Weight (piece)	9,0889 kg
Small/big flush	2,5–3,5 l/6–9 l
Installation height	862 mm



AM102/1120V Jádromodul

Pre-wall installation system with ventilation for dry build up (especially for renovation of concrete panel housing units)

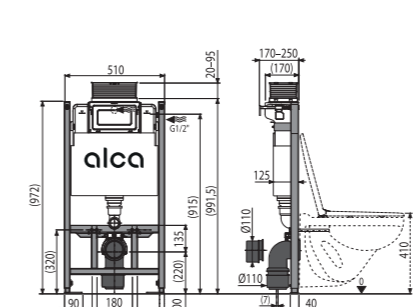


Quantity (packing)	1 pc
Quantity (pallet)	15 pcs
Dimensions (piece)	1130×145×520 mm
Weight (piece)	16,3556 kg
Small/big flush	2,5–3,5 l/6–9 l
Installation height	1120 mm



AM118/1000 Sádromodul

Pre-wall installation system for dry build up (plasterboard) with top or front actuation

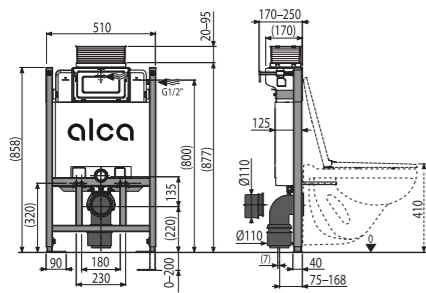


Quantity (packing)	1 pc
Quantity (pallet)	16 pcs
Dimensions (piece)	998×526×178 mm
Weight (piece)	12,2668 kg
Small/big flush	2,5–3,5 l/6–9 l
Installation height	978 mm



AM118/850 Sádromodul

Pre-wall installation system for dry build up (plasterboard) with top or front actuation

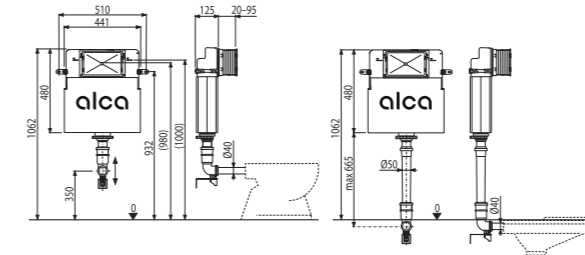


Quantity (packing)	1 pc
Quantity (pallet)	16 pcs
Dimensions (piece)	998×526×178 mm
Weight (piece)	12,012 kg
Small/big flush	2,5-3,5 l/6-9 l
Installation height	858 mm



AM112W Basicmodul

Wall concealed WC cistern

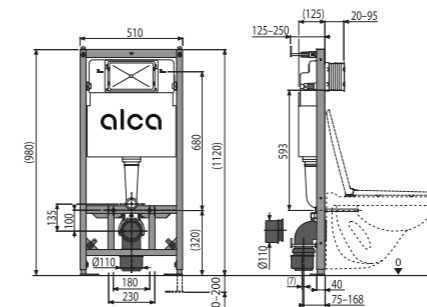


Quantity (packing)	1 pc
Quantity (pallet)	20 pcs
Dimensions (piece)	1050×480×140 mm
Weight (piece)	4,8454 kg
Small/big flush	2,5-3,5 l/6-9 l
Installation height	1062 mm



AM101/1120W Sádromodul

Pre-wall installation system for dry build up (plasterboard)

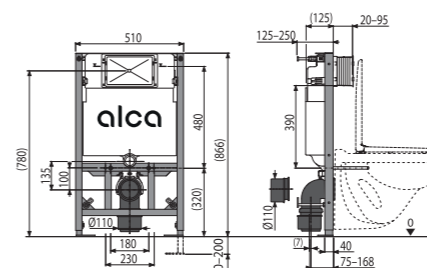


Quantity (packing)	1 pc
Quantity (pallet)	15 pcs
Dimensions (piece)	1130×145×520 mm
Weight (piece)	14,3208 kg
Small/big flush	2,5-3,5 l/6-9 l
Installation height	1120 mm



AM101/850W Sádromodul

Pre-wall installation system for dry build up (plasterboard)

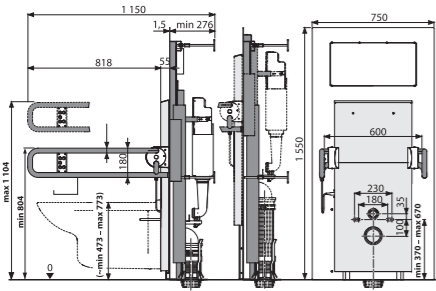


Quantity (packing)	1 pc
Quantity (pallet)	15 pcs
Dimensions (piece)	1130×145×520 mm
Weight (piece)	14,0995 kg
Small/big flush	2,5-3,5 l/6-9 l
Installation height	866 mm



AM101/1500L Medic Assistant

Pre-wall installation system for dry build up, height adjustable – for people with reduced mobility



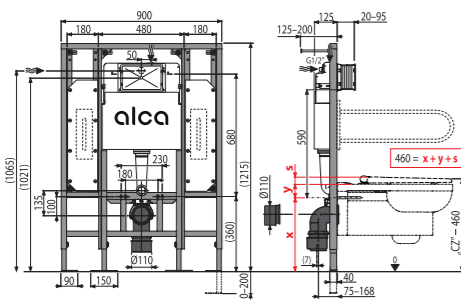
Quantity (packing)	1 pc
Quantity (pallet)	1 pcs
Dimensions (piece)	1686×835×654 mm
Weight (piece)	105,802 kg
Small/big flush	2–9 l / 2–9 l
Installation height	1550 mm



15 Toilet bowl not included

AM101/1300H Sádromodul

Pre-wall installation system for dry build up (plasterboard) – for people with reduced mobility



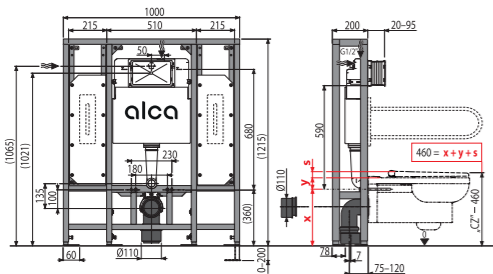
Quantity (packing)	1 pc
Quantity (pallet)	10 pcs
Dimensions (piece)	1195×145×520 mm
Weight (piece)	30,9555 kg
Small/big flush	2,5–3,5 l / 6–9 l
Installation height	1274 mm



15

AM116/1300H Solomodul

Pre-wall installation system for dry build up (self-supporting) – for people with reduced mobility



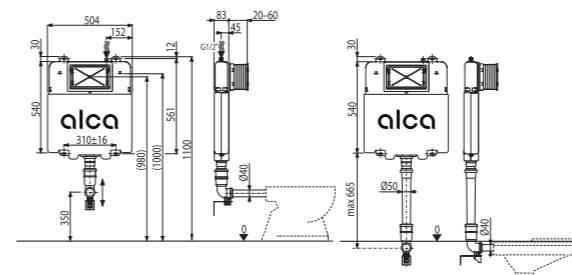
Quantity (packing)	1 pc
Quantity (pallet)	5 pcs
Dimensions (piece)	1010×1285×210 mm
Weight (piece)	46,0403 kg
Small/big flush	2,5–3,5 l / 6–9 l
Installation height	1274 mm



15

AM1112 Basicmodul Slim

Wall concealed WC cistern



Quantity (packing)	1 pc
Quantity (pallet)	20 pcs
Dimensions (piece)	965×515×110 mm
Weight (piece)	5,2697 kg
Small/big flush	3 l / 6 l
Installation height	1100 mm

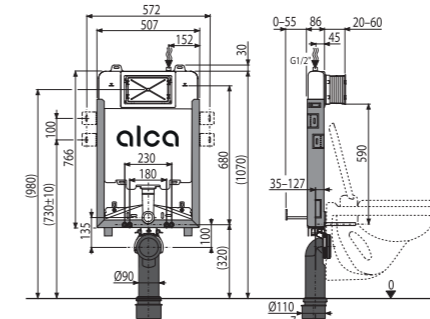


15

AM1115/1000 Renovmodul Slim

Pre-wall installation system for building into solid walls

new



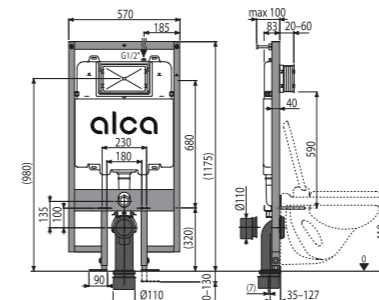
Quantity (packing)	1 pc
Quantity (pallet)	20 pcs
Dimensions (piece)	1086×528×145 mm
Weight (piece)	9,8337 kg
Small/big flush	3 l / 6 l
Installation height	1070 mm



15

AM1101/1200 Sádromodul Slim

Pre-wall installation system for dry build up (plasterboard)



Quantity (packing)	1 pc
Quantity (pallet)	15 pcs
Dimensions (piece)	1210×140×590 mm
Weight (piece)	16,4478 kg
Small/big flush	3 l / 6 l
Installation height	1175 mm



15

WC ALCA
Wall-hung WC



Quantity (packing) 1 pc
Quantity (pallet) 12 pcs
Material ceramics

WS ALCA
Waste sink with cover grid



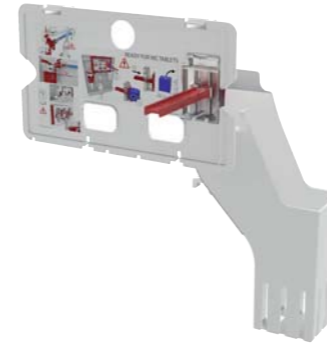
Quantity (packing) 1 pc
Quantity (pallet) 12 pcs
Material ceramics

WC Alca MEDIC
Wall-hung WC for people with reduced mobility



Quantity (packing) 1 pc
Quantity (pallet) 6 pcs
Material ceramics

P169
Set for inserting WC tablets



Quantity (packing) 24 pcs
Quantity (pallet) 672 pcs
Material plastic

M906
Elbow waste connector set DN90/110



Quantity (packing) 20 pcs
Quantity (pallet) 320 pcs
Material polyethylene

M908
Elbow waste connector set DN90/90



Quantity (packing) 20 pcs
Quantity (pallet) 320 pcs
Material polyethylene

WC RIMFLOW
Wall-hung WC



Quantity (packing) 1 pc
Quantity (pallet) 12 pcs
Material ceramics

AC01
Bidet TREND



Quantity (packing) 1 pc
Quantity (pallet) 6 pcs
Material ceramics

P128
Extraction fan for pre-wall installation systems with ventilation



Quantity (packing) 7 pc
Quantity (pallet) 112 pcs
Material plastic

M907
Reduction set DN90/110



Quantity (packing) 60 pcs
Quantity (pallet) 960 pcs
Material polyethylene

M909
Double elbow 90° with sealing



Quantity (packing) 10 pcs
Quantity (pallet) 160 pcs
Material polyethylene

M968
Elbow waste connector set DN90 Slim



Quantity (packing) 20 pcs
Quantity (pallet) 320 pcs
Material polyethylene

P115
Water flow speed regulator



Quantity (packing) 100 pcs
Quantity (pallet) 3200 pcs
Material polypropylene

M9006
Elbow waste connector DN90/110 flexi



Quantity (packing) 25 pcs
Quantity (pallet) 400 pcs
Material polypropylene

P103
Water supply console G1/2"



Quantity (packing) 1 pcs
Quantity (pallet) – pcs
Material brass, powder-coated metal

M900
Accessories set



Quantity (packing) 15 pcs
Quantity (pallet) 240 pcs
Material polypropylene, galvanized metal

M9000
Complete extended accessories to be used with WC for handicapped



Quantity (packing) 10 pcs
Quantity (pallet) 160 pcs
Material polypropylene, galvanized metal

M901
Inlet seal + outlet + wrapping seal 45×58×25



Quantity (packing) 50 pcs
Quantity (pallet) 800 pcs
Material polypropylene

M147
Extended connector to be used with WC for handicapped



Quantity (packing)	75 pcs
Quantity (pallet)	2100 pcs
Material	polypropylene

M902
Drainage seal + connector + connector seal



Quantity (packing)	20 pcs
Quantity (pallet)	320 pcs
Material	polypropylene

M148
Complete extended accessories to be used with WC for handicapped



Quantity (packing)	15 pcs
Quantity (pallet)	240 pcs
Material	polypropylene

M90
Legs for pre-wall installation systems



Quantity (packing)	1 pcs
Quantity (pallet)	- pcs
Material	powder-coated metal

P118
Prolonged legs for pre-wall installation systems



Quantity (packing)	1 pcs
Quantity (pallet)	- pcs
Material	powder-coated metal

M918
Adapter for corner installations



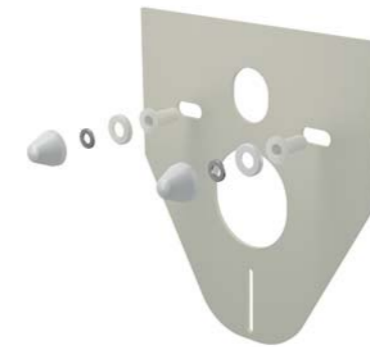
Quantity (packing)	40 pcs
Quantity (pallet)	1120 pcs
Material	plastic, galvanized metal, stainless steel

M91
Noise insulation for wall-hung WC toilets and bidets



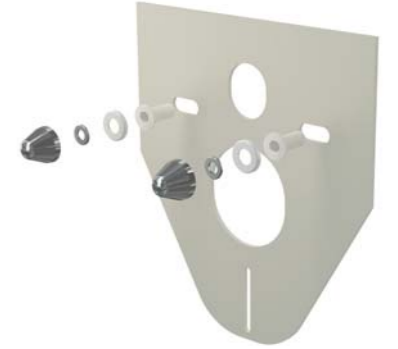
Quantity (packing)	150 pcs
Quantity (pallet)	600 pcs
Material	XPLE

M910
Noise insulation for wall-hung WC toilets and bidets with accessories including cover cap (white)



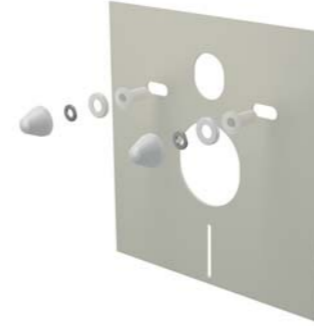
Quantity (packing)	50 pcs
Quantity (pallet)	800 pcs
Material	XPLE

M910CR
Noise insulation for wall-hung WC toilets and bidets with accessories including cover cap (chrome)



Quantity (packing)	50 pcs
Quantity (pallet)	800 pcs
Material	XPLE

M930
Noise insulation for wall-hung WC toilets and bidets with accessories including cover cap (white)



Quantity (packing)	50 pcs
Quantity (pallet)	800 pcs
Material	XPLE

M930CR
Noise insulation for wall-hung WC toilets and bidets with accessories including cover cap (chrome)



Quantity (packing)	50 pcs
Quantity (pallet)	800 pcs
Material	XPLE

M920
Noise insulation for floor standing WC toilets and bidets



Quantity (packing)	150 pcs
Quantity (pallet)	600 pcs
Material	XPLE

M940
Noise insulation for wall-hung wash-basins



Quantity (packing)	100 pcs
Quantity (pallet)	600 pcs
Material	XPLE

M950
Noise insulation for wall-hung urinals



Quantity (packing)	60 pcs
Quantity (pallet)	240 pcs
Material	XPLE

PRE-WALL INSTALLATION SYSTEMS CHARACTERISTICS

Code	For building into solid walls	For dry build up	For wooden construction houses	ECOLOGY	With ventilation	Slim	Top actuation	For people with reduced mobility	Self-supporting/in front of supporting wall	WC tablets dispenser
Wall concealed WC cistern										
AM112	●			●						●
AM112W			●	●						
AM1112	●			●		●				
Alcamodul										
AM100/1000	●			●						●
AM100/1000E	●			●						●
AM100/850	●									●
Sáďromodul										
AM101/1000	○	●		●						●
AM101/1000E	○	●		●						●
AM101/1120	○	●		●						●
AM101/1120E	○	●		●						●
AM101/1120F	○	●		●						●
AM101/1120V	○	●		●	●					●
AM101/1120W			●	●						●
AM101/1300H	○	●		●				●		●
AM101/850	○	●								●
AM1101/1200	○	●				●				●
AM118/1000	○	●		●			●			●
AM118/850	○	●					●			●
AM101/850W			●	●						●
Jáďromodul										
AM102/1000	○	●		●						●
AM102/1120	○	●		●						●
AM102/1120E	○	●		●						●
AM102/1120V	○	●		●	●					●
AM102/850	○	●								●
Renovomodul										
AM115/1000	●			●						●
AM115/1000E	●			●						●
AM115/1000V	●			●	●					●
AM1115/1000	●			●		●				●
AM119/1000	●			●			●			●
AM119/850	●						●			●
Solomodul										
AM116/1120	○	●		●					●	●
AM116/1300H	○	●		●				●	●	●
Medic Assistant										
AM101/1500L								●	●	

- basic characteristic
- it can also be built into solid walls
- it can be easily converted to WC system ECOLOGY by replacing for A06E flush valve

Innovation of mounting frames

NEW HEIGHT
1120 mm

UNIFIED WIDTH
510 mm

- Made in Czech Republic
- Exceptional warranty 15 years
- Availability of spare parts 25 years

FIXATION SET EASY LOCK FOR MOUNTING TO THE WALL

Even faster and easier installation
The new design allows a simple mounting to the wall in half of the time.

Exact setting
Optional additional adjustment to an optimal position using an allen key accessed via the front of the frame.

CROSSBARS MOUNTING FROM THE BACK SIDE

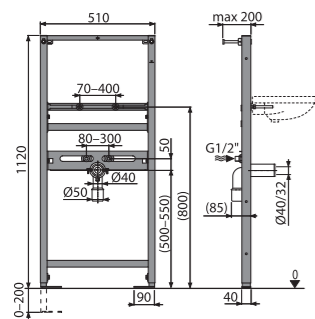
Faster installation thanks to adjustable partitions

CROSSBAR POSITION LOCK
Fixing the position with a lock

ANCHOR FEET BRAKE
The feet lock system allows setting the necessary building height of the frame profile and then ensure its final position by tightening.

VARIABILITY OF WASTE KNEE DIAMETER
Waste elbow with connection to trap DN32/DN40, for waste DN40/DN50

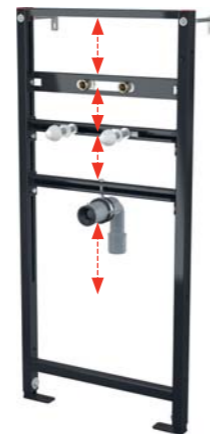
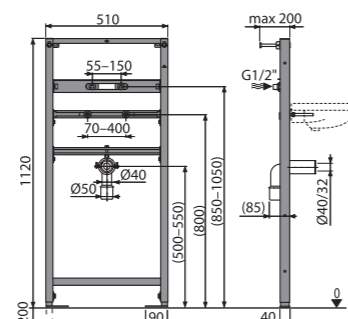
A104/1120
Mounting frame for wash-basin



Quantity (packing)	1 pc
Quantity (pallet)	30 pcs
Dimensions (piece)	1125×515×75 mm
Weight (piece)	8,5795 kg
Installation height	1120 mm

15

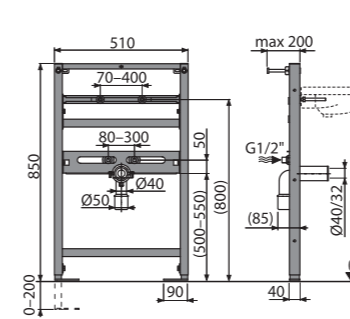
A104A/1120
Mounting frame for wash-basin and tap



Quantity (packing)	1 pc
Quantity (pallet)	30 pcs
Dimensions (piece)	1125×515×75 mm
Weight (piece)	8,6478 kg
Installation height	1120 mm

15

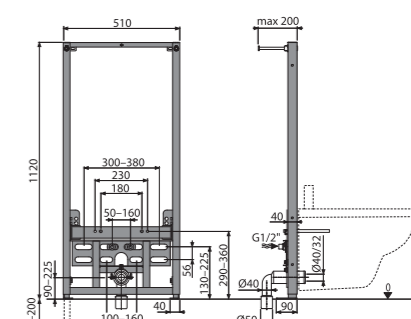
A104/850
Mounting frame for wash-basin



Quantity (packing)	1 pc
Quantity (pallet)	30 pcs
Dimensions (piece)	1125×515×75 mm
Weight (piece)	7,7797 kg
Installation height	850 mm

15

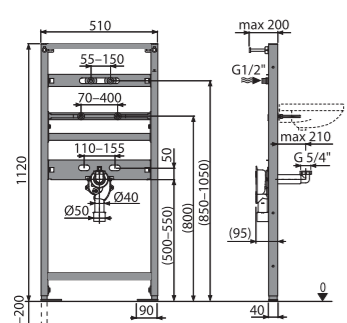
A105/1120
Mounting frame for bidet



Quantity (packing)	1 pc
Quantity (pallet)	20 pcs
Dimensions (piece)	1125×515×75 mm
Weight (piece)	10,4552 kg
Installation height	1120 mm

15

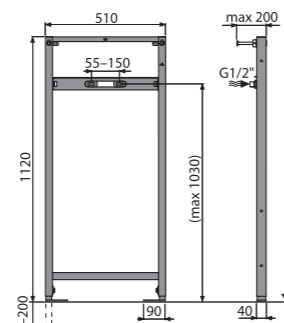
A104AVS/1120
Mounting frame for wash-basin and tap with built-in trap



Quantity (packing)	1 pc
Quantity (pallet)	30 pcs
Dimensions (piece)	1125×515×75 mm
Weight (piece)	9,0149 kg
Installation height	1120 mm

15

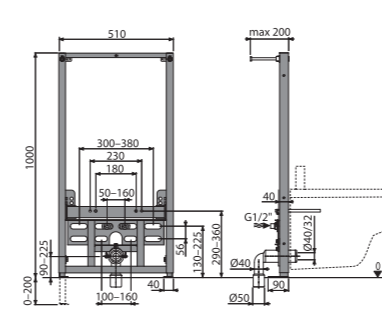
A104B/1120
Mounting frame for faucet



Quantity (packing)	1 pc
Quantity (pallet)	30 pcs
Dimensions (piece)	1125×515×75 mm
Weight (piece)	6,5959 kg
Installation height	1120 mm

15

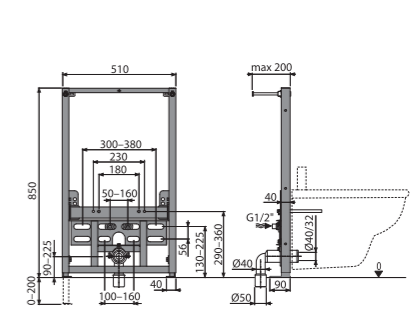
A105/1000
Mounting frame for bidet



Quantity (packing)	1 pc
Quantity (pallet)	20 pcs
Dimensions (piece)	1125×515×75 mm
Weight (piece)	10,2747 kg
Installation height	1000 mm

15

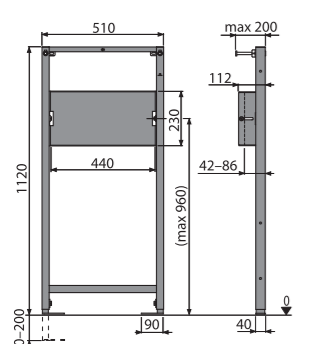
A105/850
Mounting frame for bidet



Quantity (packing)	1 pc
Quantity (pallet)	20 pcs
Dimensions (piece)	1125×515×75 mm
Weight (piece)	9,7494 kg
Installation height	850 mm

15

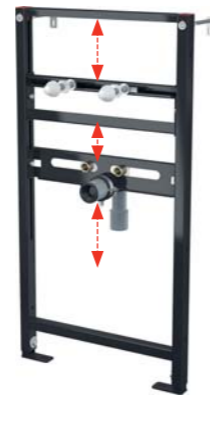
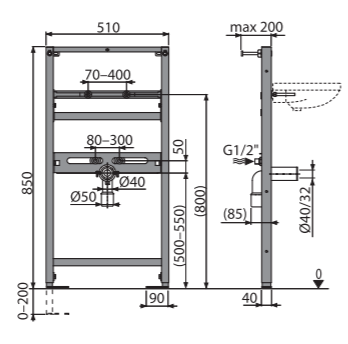
A104PB/1120
Mounting frame for built-in mixer



Quantity (packing)	1 pc
Quantity (pallet)	30 pcs
Dimensions (piece)	1125×515×75 mm
Weight (piece)	8,1042 kg
Installation height	1120 mm

15

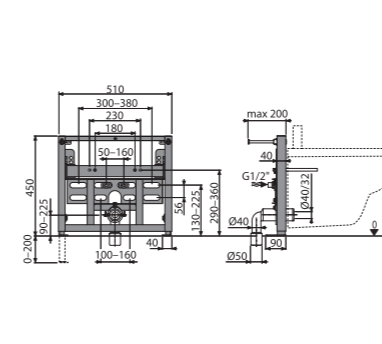
A104/1000
Mounting frame for wash-basin



Quantity (packing)	1 pc
Quantity (pallet)	30 pcs
Dimensions (piece)	1125×515×75 mm
Weight (piece)	8,2795 kg
Installation height	1000 mm

15

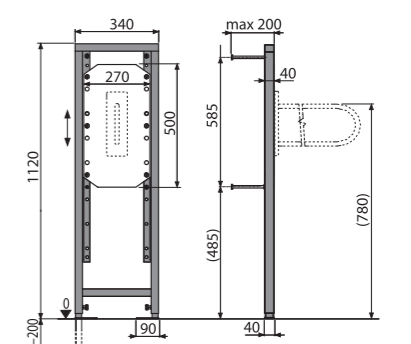
A105/450
Mounting frame for bidet



Quantity (packing)	1 pc
Quantity (pallet)	20 pcs
Dimensions (piece)	450×513×80 mm
Weight (piece)	9,5662 kg
Installation height	450 mm

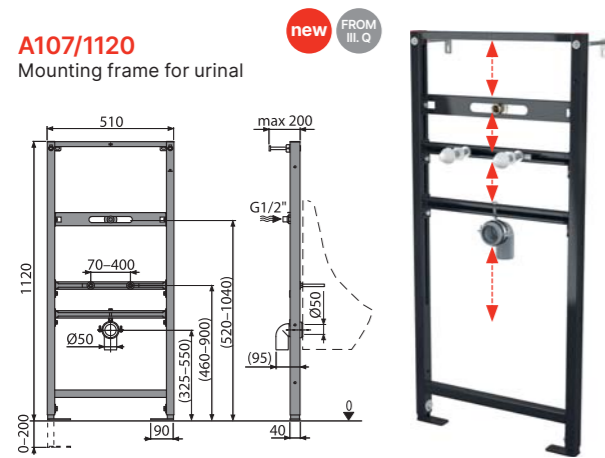
15

A106/1120
Mounting frame for handle



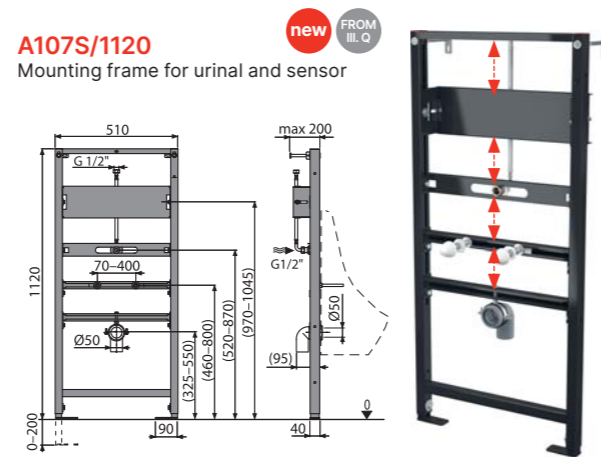
Quantity (packing)	1 pc
Quantity (pallet)	30 pcs
Dimensions (piece)	1126×340×78 mm
Weight (piece)	11,2151 kg
Installation height	1120 mm

15



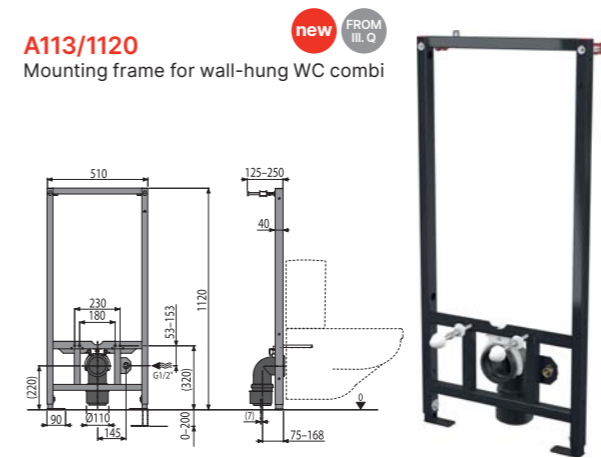
Quantity (packing)	1 pc
Quantity (pallet)	30 pcs
Dimensions (piece)	1125×515×75 mm
Weight (piece)	8,7871 kg
Installation height	1120 mm

15



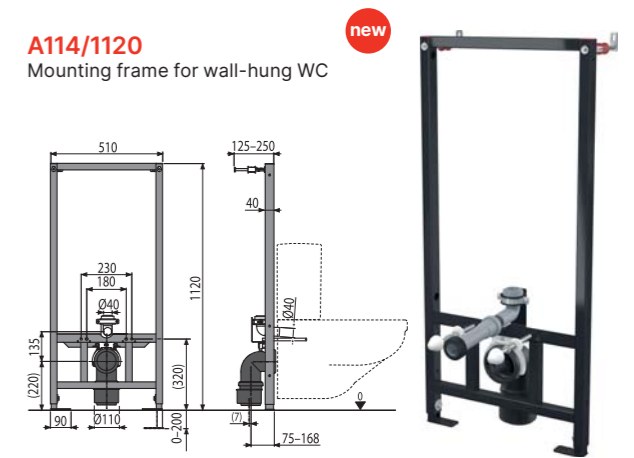
Quantity (packing)	1 pc
Quantity (pallet)	30 pcs
Dimensions (piece)	1125×515×75 mm
Weight (piece)	9,9772 kg
Installation height	1120 mm

15



Quantity (packing)	1 pc
Quantity (pallet)	15 pcs
Dimensions (piece)	1158×515×140 mm
Weight (piece)	10,977 kg
Installation height	1120 mm

15



Quantity (packing)	1 pc
Quantity (pallet)	15 pcs
Dimensions (piece)	1158×515×140 mm
Weight (piece)	10,9734 kg
Installation height	1120 mm

15



Quantity (packing)	1 pc
Quantity (pallet)	30 pcs
Dimensions (piece)	1300×510×65 mm
Weight (piece)	13,3872 kg
Installation height	1300 mm

15



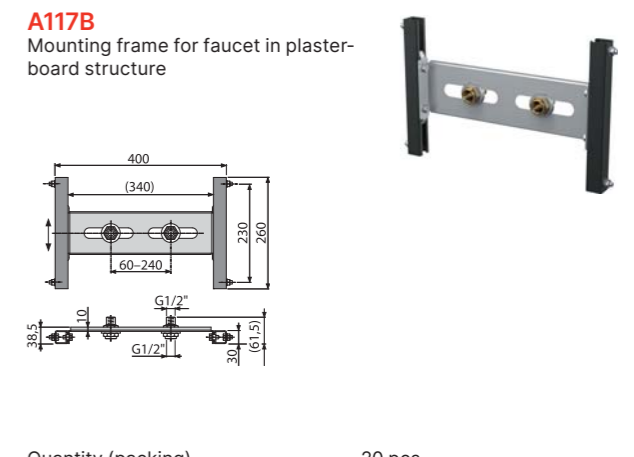
Quantity (packing)	1 pc
Quantity (pallet)	10 pcs
Dimensions (piece)	1460×530×155 mm
Weight (piece)	17,3481 kg
Installation height	1460 mm

15



Quantity (packing)	1 pcs
Quantity (pallet)	15 pcs
Dimensions (piece)	1125×515×75 mm
Weight (piece)	12,9341 kg
Installation height	1120 mm

15



Quantity (packing)	20 pcs
Quantity (pallet)	160 pcs
Dimensions (piece)	370×80×140 mm
Weight (piece)	1,9108 kg
Installation height	- mm

15



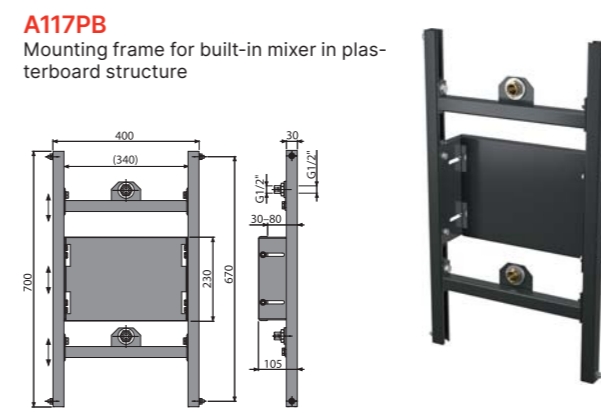
Quantity (packing)	1 pc
Quantity (pallet)	15 pcs
Dimensions (piece)	1107×515×139 mm
Weight (piece)	15,8606 kg
Installation height	1067 mm

15



Quantity (packing)	1 pc
Quantity (pallet)	- pcs
Dimensions (piece)	1195×530×145, 640×390×440 mm
Weight (piece)	31,6522 kg
Installation height	1066 mm

15



Quantity (packing)	1 pc
Quantity (pallet)	40 pcs
Dimensions (piece)	800×133×470 mm
Weight (piece)	6,3274 kg
Installation height	- mm

15

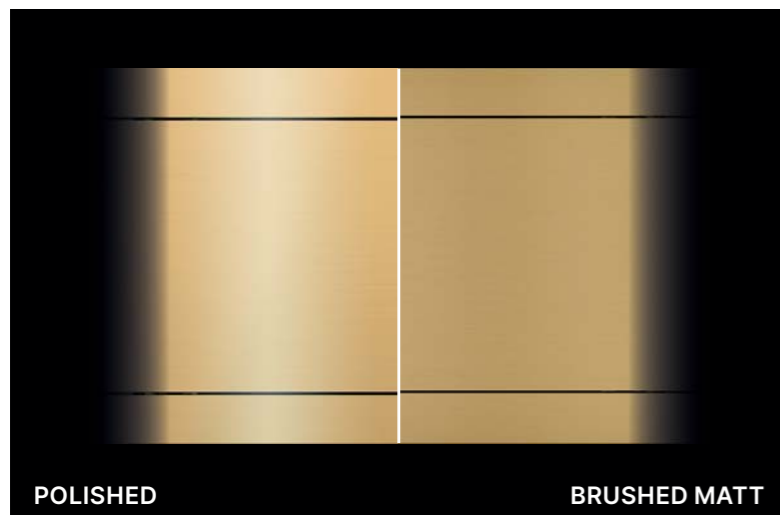
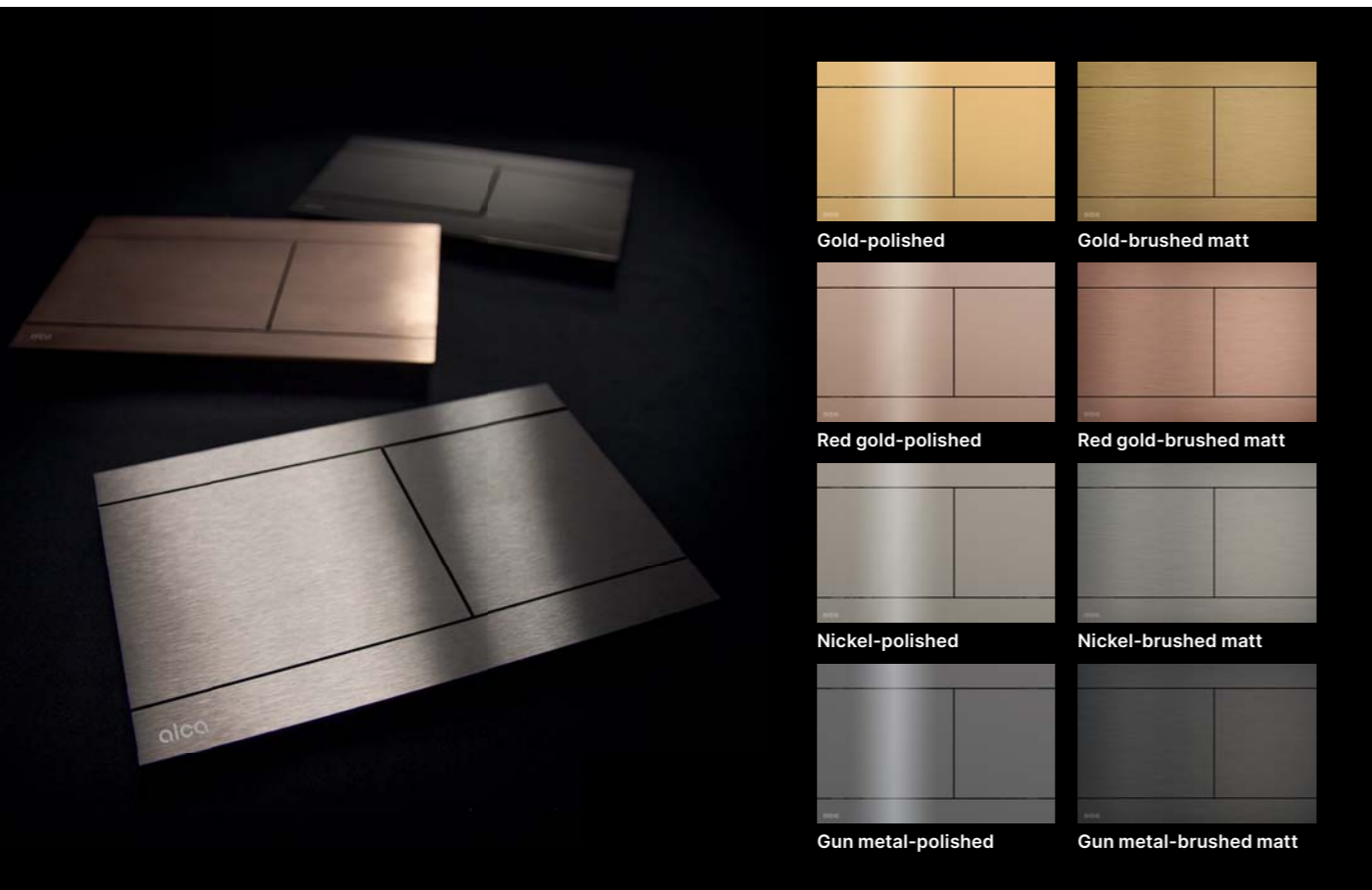


Flush plates and sensors

Flush plates for pre-wall installation systems	48
Flush plates basic	48
Flush plates THIN	48
Flush plates FLAT	49
Flush plates FLAT ALUNOX	49
Flush plates FLAT INOX	49
Flush plates FLAT COLOUR	49
Flush plates FLAT ALUNOX illuminated	49
Flush plates FLAT GLASS	49
Flush plates INDIVIDUAL	50
Flush plates touch-free	50
Flush plates Antivandal	50
Sensor program	50
Flush plates with sensor	50
Automatic WC flushing systems	51
Automatic flushing systems for urinals	51
Remote flushing	52
Sensor program power supply units	52

Flush plates INDIVIDUAL

The individuality of each person brings with it individual demands from interior design. That is why we are introducing to the market flush plates that combine attractive colours with extremely resistant surfaces. Thus creating a luxury product in the highest possible quality, resistant to any abrasion or scratching. The flush plates design can be matched not only to the premium water taps of leading manufactures, but also to other bathroom accessories available in the INDIVIDUAL range.



Four colours in two finishes

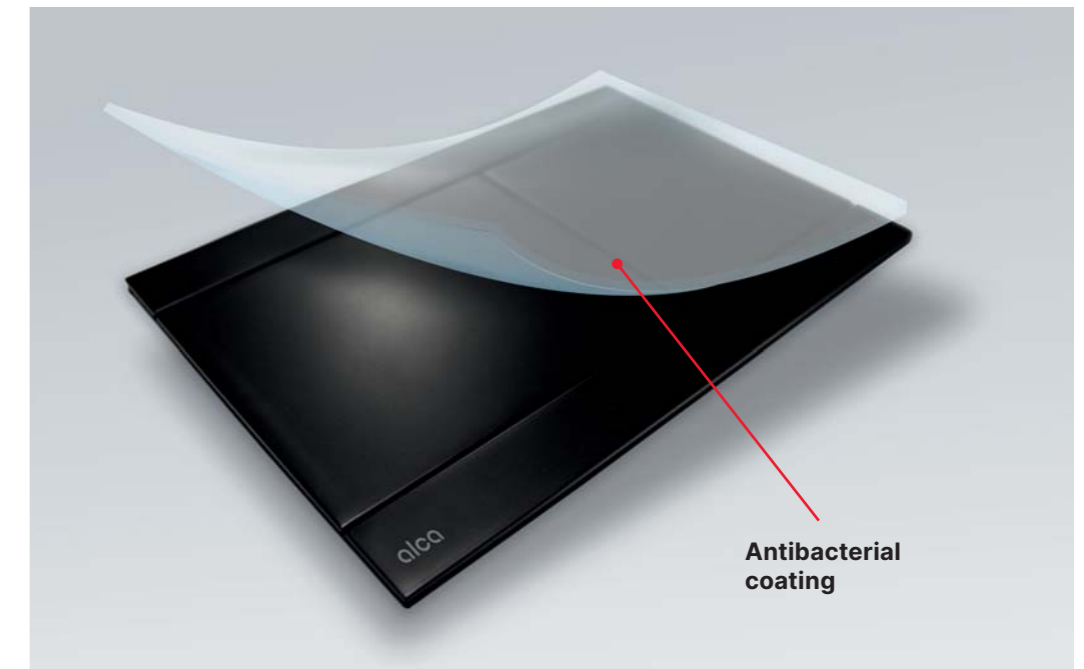
The best-selling flush plate FLAT FUN, the holder of the Red Dot 2014 design award, is newly offered in GOLD, RED GOLD, NICKEL and GUN METAL colours in either polished or brushed stainless steel finish. Whether you opt for the elegant finish in red gold, the dazzling gold, the subtle nickel or the modern gun metal colour, all surface finishes of the FLAT INDIVIDUAL flush plates guarantee the ultimate colour fastness and an extreme scratch resistance.

The complete INDIVIDUAL range can be found on page 200.

Flush plates ANTIBACTERIAL



Selected flush plates in black-matt and white-matt finishes come with a new antibacterial surface treatment. The upper transparent varnish contains silver nanoparticles which have antibacterial properties and prevent the spread of unwanted micro-organisms on the surface of the flush plate. When you combine them with antibacterial toilet seats you can prevent the spread of bacteria in your bathroom more efficiently.



Safe environment without bacteria

The cleanliness of the toilet area is still a very important criteria when judging how people feel within it. Our unique technology in the surface treatment of selected flush plates ALCA creates an impeccable film which prevents the spread of bacteria. Because of their easy maintenance, they are ideal for the use in public areas where these specially treated surfaces are desirable (hospitals, restaurants, schools).

Flush plates FLAT



New flush plate MOON

We have refreshed a range of popular metal flush plates FLAT – let us introduce the new flush plate MOON. We offer this timeless minimalist flush plate design with pleasantly rounded edges in various material versions: standard brushed aluminum alunox-matt, elegant white-polished, extravagant black-matt or brass in line with actual trends.



Flush plates touch-free

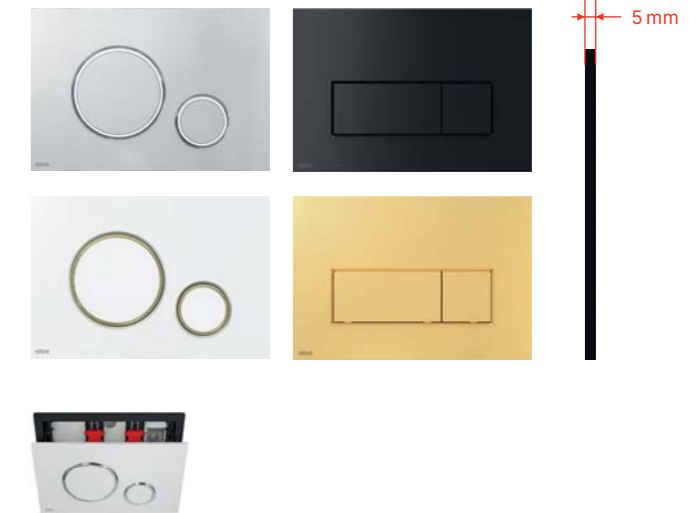
Touch-free flush plates NIGHT LIGHT, the winner of the international competition iF Design Award 2018 in the Product category of the Bathrooms section. Three design variants and sophisticated system of backlight settings and other parameters enables a unique look to any bathroom or toilet.



Barбора Škorpilová

Architect, designer and the creator of the FLAT flush plates, NIGHT LIGHT and M370 for Alcadrain, Barбора is today known for her association with the MIMOLIMIT studio which she founded in 2001.

Flush plates THIN



The flush plates THIN thanks to its flat profile stand out only five millimeters out from the tiling. They are available in 3 designs and six surface finishes – white-polished, white-matt, chrome-polished, chrome-matt, black-matt and gold-polished. All THIN flush plates will be with tilting for easy insertion of toilet tablets.

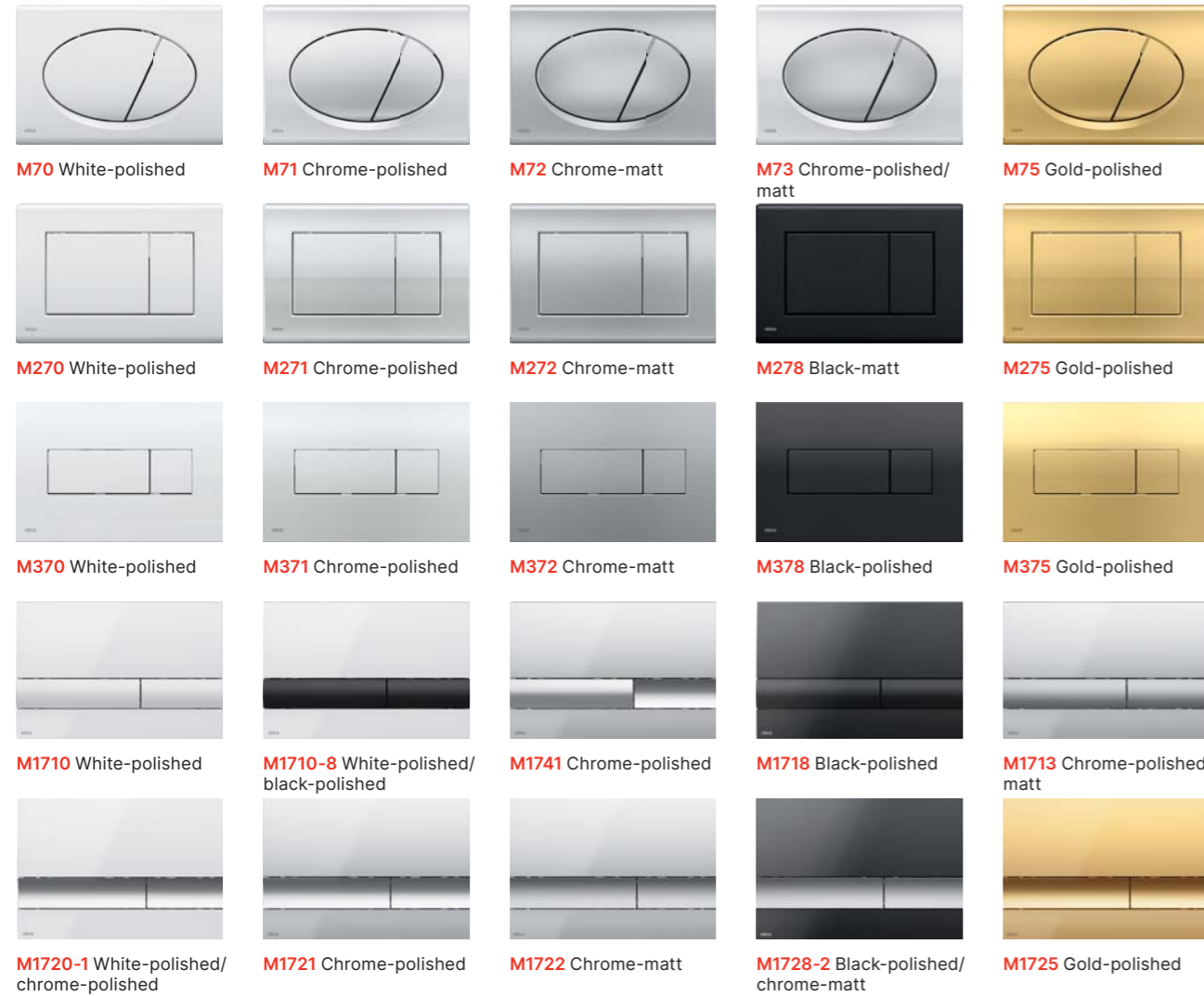


Antibacterial surface treatment of matt flush plates

The popular flush plates THIN in white-matt and black-matt finish have a new antibacterial treatment. The upper transparent varnish contains silver nanoparticles, which have antibacterial properties and prevent the spread of unwanted micro-organisms on the surface of the flush plate.



BASIC



THIN (THICKNESS 5 mm)

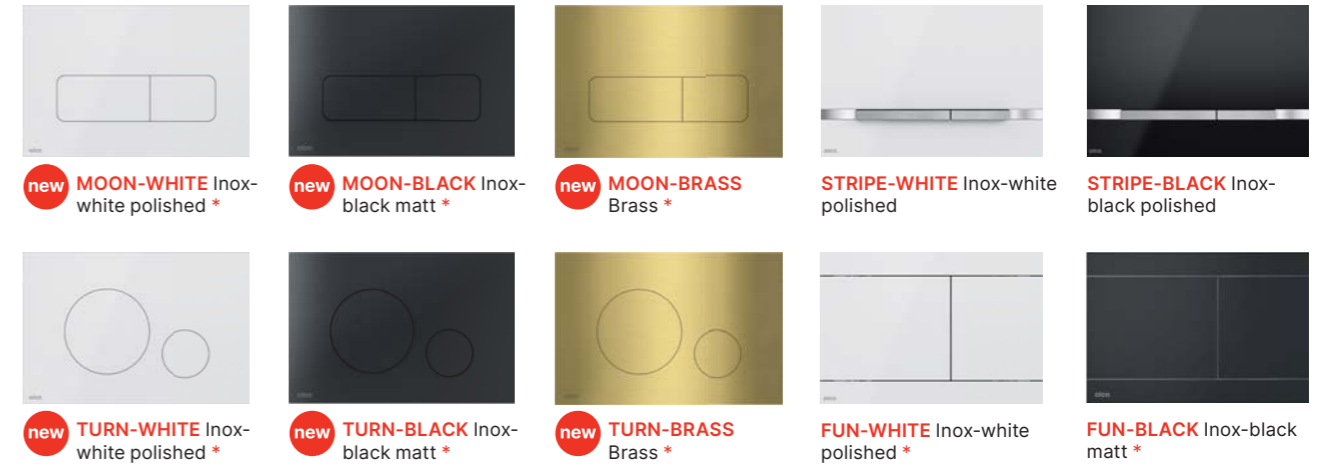


Quantity (packing)	25 pcs
Quantity (pallet)	700 pcs
THIN material, BASIC	plastic

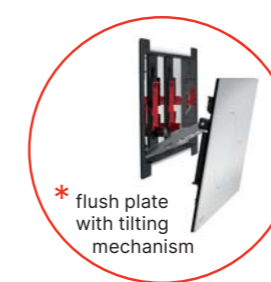
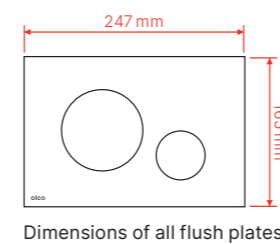
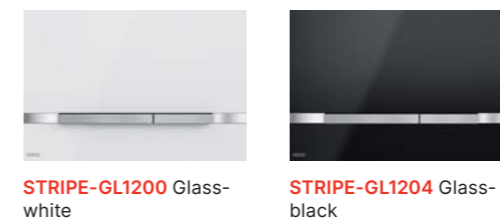
FLAT ALUNOX (ALUMINUM) / FLAT INOX (STAINLESS STEEL)



FLAT COLOUR (COLOUR HIGH GLOSS)



FLAT GLASS (GLASS)

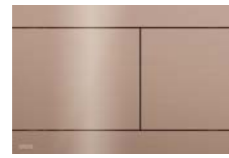


Quantity (packing)	10 pcs
Quantity (pallet)	280 pcs
FLAT ALUNOX material	anodized aluminum, stainless steel
FLAT COLOUR material	stainless steel, painted colour finish
FLAT GLASS material	stainless steel, glass
AIR LIGHT material	anodized aluminum, stainless steel
FLAT BRONZE-ANTIC material	brass with bronze-antic finish
FUN-BRASS material	brass

INDIVIDUAL



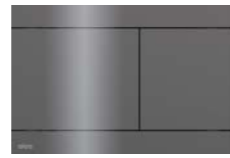
FUN-G-P GOLD-polished *



FUN-RG-P RED GOLD-polished *



FUN-N-P NICKEL-polished *



FUN-GM-P GUN METAL-polished *



FUN-G-B GOLD-brushed matt *



FUN-RG-B RED GOLD-brushed matt *



FUN-N-B NICKEL-brushed matt *



FUN-GM-B GUN METAL-brushed matt *

Quantity (packing)	10 pcs
Quantity (pallet)	280 pcs
Material INDIVIDUAL	stainless steel with PVD finish



TOUCH-FREE (GLASS)



NIGHT LIGHT-1
Glass-black
NIGHT LIGHT-1-SLIM
Glass-black



NIGHT LIGHT-2
Glass-black
NIGHT LIGHT-2-SLIM
Glass-black



NIGHT LIGHT-3
Glass-black
NIGHT LIGHT-3-SLIM
Glass-black

Quantity (packing)	6 pcs
Quantity (pallet)	96 pcs
Material NIGHT LIGHT	glass

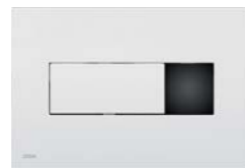
ANTIVANDAL



M279 Metal



M279S Metal (AC power supply)
M279SB Metal (DC battery operated)
M279S-SLIM Metal (AC power supply)



M370S White (AC power supply)
M370SB White (DC battery operated)
M370S-SLIM White (AC power supply)



M371S Chrome-polished (AC power supply)
M371SB Chrome-polished (DC battery operated)
M371S-SLIM Chrome-polished (AC power supply)

Quantity (packing)	10 pcs
Quantity (pallet)	280 pcs
Material	stainless steel

Quantity (packing)	10 pcs
Quantity (pallet)	160 pcs
Material	plastic

ASP3

Automatic WC flushing system, chrome, 12 V (AC power supply)

ASP3-B

Automatic WC flushing system, chrome, 6 V (DC battery operated)



Quantity (packing)	12 pcs
Quantity (pallet)	192 pcs
Material	stainless steel, chrome-plated plastic

ASP3-K

Automatic WC flushing system, metal, 12 V (AC power supply)

ASP3-KB

Automatic WC flushing system, metal, 6 V (DC battery operated)



Quantity (packing)	12 pcs
Quantity (pallet)	192 pcs
Material	stainless steel

ASP3-KT

Automatic WC flushing system, metal, manual, 12 V (AC power supply)

ASP3-KBT

Automatic WC flushing system, metal, manual, 6 V (DC battery operated)



Quantity (packing)	12 pcs
Quantity (pallet)	192 pcs
Material	stainless steel

ASP4

Automatic flushing system for urinal, chrome, 12 V (AC power supply)

ASP4-B

Automatic flushing system for urinal, chrome, 6 V (DC battery operated)



Quantity (packing)	16 pcs
Quantity (pallet)	256 pcs
Material	stainless steel, chrome-plated plastic

ASP4-K

Automatic flushing system for urinal, metal, 12 V (AC power supply)

ASP4-KB

Automatic flushing system for urinal, metal, 6 V (DC battery supply)



Quantity (packing)	16 pcs
Quantity (pallet)	256 pcs
Material	stainless steel

ASP4-KT

Automatic flushing system for urinal, metal, manual, 12 V (AC power supply)



Quantity (packing)	16 pcs
Quantity (pallet)	256 pcs
Material	stainless steel

MPO10

Remote pneumatic flush for hand operation, white, installation: into the wall



Quantity (packing) 10 pcs
Quantity (pallet) 160 pcs
Material ABS, polypropylene

MPO11

Remote pneumatic flush for hand operation, chrome-polished, installation: into the wall



Quantity (packing) 10 pcs
Quantity (pallet) 160 pcs
Material chrome-plated plastic

MPO12

Remote pneumatic flush for foot operation, metal, installation: into the floor



Quantity (packing) 10 pcs
Quantity (pallet) 160 pcs
Material stainless steel, ABS, polypropylene

MPO13

Remote pneumatic flush for foot operation, metal, installation: onto the wall



Quantity (packing) 10 pcs
Quantity (pallet) 160 pcs
Material stainless steel, ABS, polypropylene

P120

Cover plate for pre-wall installation systems, alunox-matt



Quantity (packing) 25 pcs
Quantity (pallet) 700 pcs
Material anodized aluminum

AEZ310

Power supply 230 V AC/12 V DC/12 W, IP20



Quantity (packing) 1 pc
Quantity (pallet) - pcs

AEZ311

Power supply 230 V AC/12 V DC/24 W, IP20



Quantity (packing) 1 pc
Quantity (pallet) - pcs

AEZ320

Power supply 230 V AC/12 V DC/18 W, IP67



Quantity (packing) 1 pc
Quantity (pallet) - pcs

POWER SUPPLY UNITS OVERVIEW

Code	Recommended power supply unit
APZ5 Spa backlight	
AEZ120	AEZ320
AEZ121	AEZ320
AEZ122	AEZ320
AEZ123	AEZ320
AEZ124	AEZ320
Illumination of flush plate AIR LIGHT	
AIR LIGHT	AEZ310
AIR LIGHT R	AEZ310
Automatic flushing systems for WC and urinals	
ASP3	AEZ310
ASP3-B	battery box 4× AA included in packaging
ASP3-K	AEZ310
ASP3-KB	battery box 4× AA included in packaging
ASP3-KBT	battery box 4× AA included in packaging
ASP3-KT	AEZ310
ASP4	AEZ310
ASP4-B	battery box 4× AA included in packaging
ASP4-K	AEZ310
ASP4-KB	battery box 4× AA included in packaging
ASP4-KT	AEZ310
ASP5-KB	battery box 4× AA included in packaging
Sensory flush plates	
M279S	AEZ310
M279SB	battery box 4× AA included in packaging
M370S	AEZ310
M370SB	battery box 4× AA included in packaging
M371S	AEZ310
M371SB	battery box 4× AA included in packaging
M372S	AEZ310
M279S-SLIM	AEZ310
M370S-SLIM	AEZ310
M371S-SLIM	AEZ310
Touch-free flush plates	
NIGHT LIGHT-1	power source unit included in packaging
NIGHT LIGHT-2	power source unit included in packaging
NIGHT LIGHT-3	power source unit included in packaging
NIGHT LIGHT-1-SLIM	power source unit included in packaging
NIGHT LIGHT-2-SLIM	power source unit included in packaging
NIGHT LIGHT-3-SLIM	power source unit included in packaging
Accessories for pre-wall installation systems with ventilation	
P128	power supply 230 V



Valves

Fill valves	58
Flush valves	59
Plastic WC cisterns	60
Fill and flush kits	61
Valves – accessories	63

New side fill valves

We have designed the brand new range of fill valves primarily to be fast, exceptionally resistant to impurities contained in water and to perfectly withstand a wide range of pressures 0.05–1.6 MPa (0.5–16 bar) in various countries around the world.

EASY MAINTENANCE AND FAST SERVICE
Cleaning the filter using **CLICK system** without a need of dismantling the tube

INCREASED DURABILITY AGAINST IMPURITIES
Secured by a **conical shape of the filter**

EXTRA FAST FILLING
Twice as fast filling without the use of a water flow regulator

SILENT FILLING
With a regulator of the water flow

MAXIMUM RELIABILITY
The new membrane works even within the water pressure fluctuations of **0.05–1.6 MPa (0.5–16 bar)**

NO RECOIL
Thanks to the smooth closing of the valve

LONGER LIFETIME
The fill valve is made of a material which is **more resistant against limescale**

UNIVERSAL
Designed for plastic and ceramic **WC cisterns and pre-wall installation systems**

ALWAYS THE SAME WATER LEVEL
Regardless of the water pressure in the pipes

OVERVIEW OF SIDE FILL VALVES

6

Old code	New code	Same price	Water connection	Thread material	Application		
A15-1/2"	A150-1/2"	same price	1/2"	plastic	ceramic cisterns		
A15-3/8"	A150-3/8"	same price	3/8"	plastic	ceramic cisterns		
A15P-1/2"	A150P-1/2"	same price	1/2"	plastic		plastic WC cisterns	
A15P-3/8"	A150P-3/8"	same price	3/8"	plastic		plastic WC cisterns	
A16-1/2"	A160-1/2"	same price	1/2"	metal*	ceramic cisterns		
A16-3/8"	A160-3/8"	same price	3/8"	metal **	ceramic cisterns		
A16P-3/8"	A160P-3/8"	same price	3/8"	metal **		plastic WC cisterns	WC systems
	A150UNI		1/2", 3/8"	plastic	ceramic cisterns	plastic WC cisterns	WC systems
	A160UNI		1/2", 3/8"	metal	ceramic cisterns	plastic WC cisterns	WC systems

* increase of the weight of the packing box from 15.8 kg to 17.4 kg
** increase of the weight of the packing box from 14.5 kg to 15 kg

ONE PRODUCT FOR ALL OPTIONS 7 thread variants + 2 universal packages

INNOVATION

NEW PRODUCTS

A150-1/2"
Side inlet fill valve for ceramic WC cisterns



Quantity (packing)	70 pcs
Quantity (pallet)	1120 pcs
Material	POM

A150-3/8"
Side inlet fill valve for ceramic WC cisterns



Quantity (packing)	70 pcs
Quantity (pallet)	1120 pcs
Material	POM

A150P-1/2"
Side inlet fill valve for plastic WC cisterns



Quantity (packing)	70 pcs
Quantity (pallet)	1120 pcs
Material	POM

A150P-3/8"
Side inlet fill valve for plastic WC cisterns



Quantity (packing)	70 pcs
Quantity (pallet)	1120 pcs
Material	POM

A160-1/2"
Side inlet fill valve metal thread for ceramic WC cisterns



Quantity (packing)	70 pcs
Quantity (pallet)	1120 pcs
Material	POM

A160-3/8"
Side inlet fill valve metal thread for ceramic WC cisterns



Quantity (packing)	70 pcs
Quantity (pallet)	1120 pcs
Material	POM

A160P-3/8"
Side inlet fill valve metal thread for plastic WC cisterns



Quantity (packing)	70 pcs
Quantity (pallet)	1120 pcs
Material	POM

A150UNI
Side inlet fill valve, universal



Quantity (packing)	70 pcs
Quantity (pallet)	1120 pcs
Material	POM

A160UNI
Side inlet fill valve metal thread, universal



Quantity (packing)	36 pcs
Quantity (pallet)	576 pcs
Material	POM

A17-1/2"
Bottom inlet fill valve



Quantity (packing)	50 pcs
Quantity (pallet)	800 pcs
Material	ABS

A17-3/8"
Bottom inlet fill valve



Quantity (packing)	50 pcs
Quantity (pallet)	800 pcs
Material	ABS

A18-1/2"
Bottom inlet fill valve metal thread



Quantity (packing)	50 pcs
Quantity (pallet)	800 pcs
Material	ABS

A18-3/8"
Bottom inlet fill valve metal thread



Quantity (packing)	50 pcs
Quantity (pallet)	800 pcs
Material	ABS

A2000-CHROM
Flush valve with STOP button



Quantity (packing)	25 pcs
Quantity (pallet)	400 pcs
Material	ABS

A05-CHROM
Flush valve with raised STOP button



Quantity (packing)	25 pcs
Quantity (pallet)	400 pcs
Material	ABS

A08A
Flush valve with DUAL control button



Quantity (packing)	16 pcs
Quantity (pallet)	256 pcs
Material	ABS

A02
Flush valve for low level cistern



Quantity (packing)	25 pcs
Quantity (pallet)	400 pcs
Material	ABS

A03
Flush valve for high level cistern



Quantity (packing)	25 pcs
Quantity (pallet)	400 pcs
Material	ABS

A03A
Flush valve for high level cistern



Quantity (packing) 35 pcs
Quantity (pallet) 560 pcs
Material ABS

A06
Flush valve for pre-wall installation systems



Quantity (packing) 25 pcs
Quantity (pallet) 400 pcs
Material ABS

A06E
Flush valve ECOLOGY for pre-wall installation systems



Quantity (packing) 25 pcs
Quantity (pallet) 400 pcs
Material ABS

A95
Flush pipe DN32 in two parts + wrapping seal



Quantity (packing) 1 pc
Quantity (pallet) - pcs

A950
Flush pipe set DN35



Quantity (packing) 1 pc
Quantity (pallet) - pcs

A06-850
Flush valve for reduced pre-wall installation systems with 850 mm height



Quantity (packing) 25 pcs
Quantity (pallet) 400 pcs
Material ABS

A07
Flush valve for cistern A93



Quantity (packing) 25 pcs
Quantity (pallet) 400 pcs
Material ABS

A09B
Flush valve for Slimmodul



Quantity (packing) 50 pcs
Quantity (pallet) 800 pcs
Material ABS

SA2000 1/2" CHROM
Fill and flush kit with STOP button
Package content: A150-1/2", A2000, blind plug, screws, gaskets



Quantity (packing) 20 pcs
Quantity (pallet) 320 pcs

SA2000 3/8" CHROM
Fill and flush kit with STOP button
Package content: A150-3/8", A2000, blind plug, screws, gaskets



Quantity (packing) 20 pcs
Quantity (pallet) 320 pcs

SA2000K 1/2" CHROM
Fill and flush kit with STOP button
Package content: A160-1/2", A2000, blind plug, screws, gaskets



Quantity (packing) 20 pcs
Quantity (pallet) 320 pcs

A93-1/2"
Universal WC cistern ALCA UNI DUAL

A93-3/8"
Universal WC cistern ALCA UNI DUAL



Quantity (packing) 1 pc
Quantity (pallet) 58 pcs

A94-1/2"
Universal WC cistern ALCA UNI START/STOP

A94-3/8"
Universal WC cistern ALCA UNI START/STOP



Quantity (packing) 1 pc
Quantity (pallet) 58 pcs

SA2000K 3/8" CHROM
Fill and flush kit with STOP button
Package content: A160-3/8", A2000, blind plug, screws, gaskets



Quantity (packing) 20 pcs
Quantity (pallet) 320 pcs

SA2000S 1/2" CHROM
Fill and flush kit with STOP button
Package content: A17-1/2", A2000, screws, gaskets



Quantity (packing) 20 pcs
Quantity (pallet) 320 pcs

SA2000S 3/8" CHROM
Fill and flush kit with STOP button
Package content: A17-3/8", A2000, screws, gaskets



Quantity (packing) 20 pcs
Quantity (pallet) 320 pcs

SA2000SK 1/2" CHROM

Fill and flush kit with STOP button
Package content: A18-1/2", A2000, screws, gaskets



Quantity (packing) 20 pcs
Quantity (pallet) 320 pcs

SA2000SK 3/8" CHROM

Fill and flush kit with STOP button
Package content: A18-3/8", A2000, screws, gaskets



Quantity (packing) 20 pcs
Quantity (pallet) 320 pcs

SA08A 1/2" CHROM

Fill and flush kit with DUAL control button
Package content: A150-1/2", A08A, blind plug, screws, gaskets



Quantity (packing) 16 pcs
Quantity (pallet) 256 pcs

SA08ASK 3/8" CHROM

Fill and flush kit with DUAL control button
Package content: A18-3/8", A08A, screws, gaskets



Quantity (packing) 16 pcs
Quantity (pallet) 256 pcs

V0018-ND

Button cover (A2000)



Quantity (packing) 1 pcs
Quantity (pallet) – pcs

P0014-ND

Button complete set chrome (A05)



Quantity (packing) 1 pcs
Quantity (pallet) – pcs

SA08A 3/8" CHROM

Fill and flush kit with DUAL control button
Package content: A150-3/8", A08A, blind plug, screws, gaskets



Quantity (packing) 16 pcs
Quantity (pallet) 256 pcs

SA08AK 1/2" CHROM

Fill and flush kit with DUAL control button
Package content: A160-1/2", A08A, blind plug, screws, gaskets



Quantity (packing) 16 pcs
Quantity (pallet) 256 pcs

SA08AK 3/8" CHROM

Fill and flush kit with DUAL control button
Package content: A160-3/8", A08A, blind plug, screws, gaskets



Quantity (packing) 16 pcs
Quantity (pallet) 256 pcs

V0011-ND

Button complete set chrome (A2000)



Quantity (packing) 1 pcs
Quantity (pallet) – pcs

V0296-ND

Button complete set chrome (A08A)



Quantity (packing) 1 pcs
Quantity (pallet) – pcs

V0015-ND

Seal 64x30x2



Quantity (packing) 1 pcs
Quantity (pallet) – pcs

SA08AS 1/2" CHROM

Fill and flush kit with DUAL control button
Package content: A17-1/2", A08A, screws, gaskets



Quantity (packing) 16 pcs
Quantity (pallet) 256 pcs

SA08AS 3/8" CHROM

Fill and flush kit with DUAL control button
Package content: A17-3/8", A08A, screws, gaskets



Quantity (packing) 16 pcs
Quantity (pallet) 256 pcs

SA08ASK 1/2" CHROM

Fill and flush kit with DUAL control button
Package content: A18-1/2", A08A, screws, gaskets



Quantity (packing) 16 pcs
Quantity (pallet) 256 pcs

N0020-ND

End cap chrome



Quantity (packing) 1 pcs
Quantity (pallet) – pcs

WC seats

WC seats Antibacterial	72
WC seats Basic Antibacterial	72
WC seats Duroplast	72
WC seats SOFTCLOSE	73
WC seats SLIM	74
WC seats – hinges	75



WC seats



SOFTCLOSE system – Slow closing WC seat cover

The SOFTCLOSE system is characterised by its slow seat closing action. The mechanism within the hinges of the WC seat ensure a smooth and quiet closure onto the ceramics. A big advantage of this system is to protect the WC pan from damage caused by accidental dropping of the seat. It also ensures greater safety and comfort for the user when handling the seat. It is particularly suitable for public areas and for families with children.



Antibacterial

The majority of ALCA toilet seats have antibacterial properties. The Antibacterial properties are achieved by the Silver compounds within the material. Testing has proven that the bacterial density on the WC seat surface is reduced.

Duroplast

Toilet seats made of high-quality Duroplast material will satisfy even the most demanding Customers. Duroplast material greatly reduces discomfort of sitting on a cold surface of a WC seat.



CLICK system for easy cleaning

CLICK system on WC seat hinges allows for easier and faster cleaning of the WC pan and seat itself. The seat is released from the pan by pressing the two buttons on the inner side of the seat hinges, allowing it to be lifted clear for cleaning. The seat is easily and quickly returned to its original position by pressing it back onto the hinges.



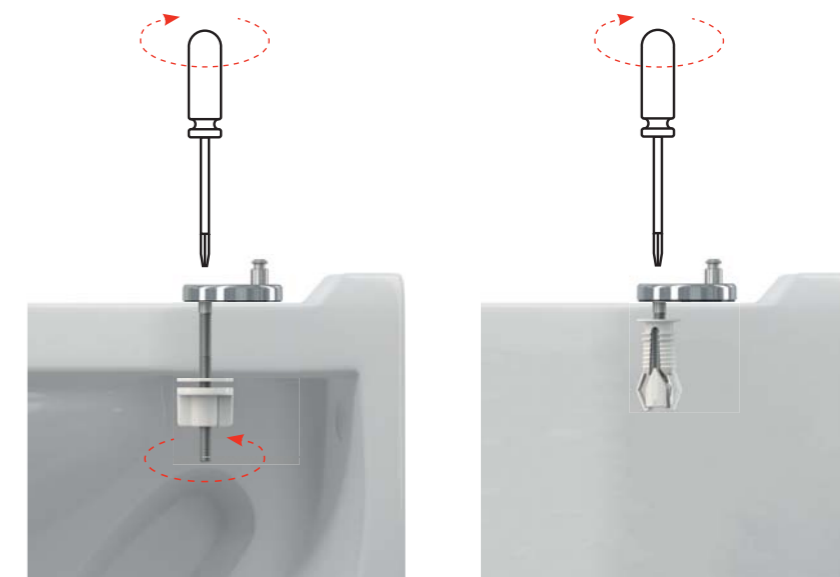
Setting of hinges for perfect compatibility

Easy mounting of ALCA seats onto the WC pan is guaranteed thanks to the large range of possible adjustment of the seat hinges. This together with the shape of the WC seats enable them to be fitted to many types of ceramics. The hinges are made of stainless steel and are white powder paint coated to blend them into the ceramic surface, this also ensures long life and durability.



Comfortable top mounting

For Duroplast seats with CLICK system we offer an alternative to the classic bottom mounting hinges. Designed for toilet bowls with limited access the hinge system can be mounted and tightened from the top surface only, eliminating the need to gain access from below.



The integrated seat insert with magnetic holder

Duroplast seats A603 and A606 are equipped with a fully integrated infant potty seat insert. It is attached to the hinge pins and can be easily removed. The insert is made of lightweight polypropylene material so that a child can safely and simply manipulate the seat. When not use the potty seat insert is retained magnetically by the seat cover allowing normal adult use.



WC Seats with print

We also offer WC seats with color printing with three themes – flower, shell and zen.



A60 – COMPATIBILITY CHART

Manufacturer	Type	Type
ALCADRAIN	Alca, Rimflow, Grand (C)	
CERSANIT	President (C), Terra	Solari (C)
IDEAL STANDARD	Eurovit (Ecco) (C), Eurovit (Ecco), Simplicity, Simplicity (C), Vidima SevaMix (C), Ulysse 2 (C)	
JIKA	Mio, Lyra (C), Lyra Plus (C), Dino, Easy / Olymp, Olymp (C), Zeta (C), Zeta Plus (C), Roman (C), Lukas, Norma (C), Euroline (C), Deep New Handicap	
KOLO	Style, Nova top, Napoli (C), Rekord (C), Rekord	Primo, Piano (C)
SANITEC / KERAMAG		Renova Nr. 1
VITRA	Concept 100 (Ptáček), SeaBay (C), Pera	
VILLEROY & BOCH	Omnia, Omnia Pro, Omnia Compact	

A3553 – COMPATIBILITY CHART

Manufacturer	Type	Type
ALCADRAIN		Alca
CERSANIT	Kompakt 393, Kompakt Kaskada	Delfi
IDEAL STANDARD	Vidima SevaMix (C), Ulysse 2 (C)	Simplicity, Simplicity (C), Eurovit (C), Eurovit
JIKA	Dino Rimless	Lyra Plus, Tigo, Tigo (C), Zeta
KOLO		Piano (C), Piano
PTÁČEK		Easy, Concept
RICHTER + FRENZEL	Optiline Europa	
WINKIEL		Lecico (C)

A6550 – COMPATIBILITY CHART

Manufacturer	Type	Type
ALCADRAIN		Alca, Grand (C)
CERSANIT	Kompakt 393, Kompakt Kaskada	Delfi, Iryda (C), Korál (C), WC Kompakt President (C)
GUSTAVSBERG		Saval
IDEAL STANDARD	Vidima SevaMix (C), Ulysse 2 (C)	Simplicity, Simplicity (C), Eurovit (C), Eurovit
JIKA	Dino Rimless	Lyra Plus, Tigo, Tigo (C), Zeta, Dino, Mio, Lukas, Rigo, Norma, Pluto, Neo (C), Roman
KOLO		Piano (C), Piano, Primo, Idol Simple, Nova Rimfree
LECICO		Lecico (C)
PTÁČEK		Easy, Concept
RICHTER + FRENZEL	Optiline Europa	
TRIKER		EP 63 (C)

A6551 – COMPATIBILITY CHART

Manufacturer	Type	Type
ALCADRAIN	Grand (C)	
JIKA	Lyra Plus (C), Lyra (C)	
MITO	Kompakt 373	
PTÁČEK	Easy (C), Concept (C)	

A601 – COMPATIBILITY CHART

Manufacturer	Type	Type
ALCADRAIN	Alca, Rimflow	
CERSANIT	Terra, President (C)	Delfi
FAYANS	Neo	
GUSTAVSBERG	Saval	Nautic
IDEAL STANDARD	Eurovit, Simplicity (C), Simplicity	Eurovit (C), Ulysse 2 (C), Vidima SevaMix
JIKA	Easy / Olymp, Zeta Plus (C), Roman (C)	Tigo, Olymp, Deep New Handicap
KERAMAG		Renova
KERAMIN	Omega (C)	
KOLO	Rekord (C)	Primo, Rekord / Krainer
SANINDUSA	Cetus	

✓✓ = WC seat fully compatible with toilet bowl

✓ = WC seat compatible with toilet bowl but not perfect fit

(C) = combi WC

indicative list

A602, A603 – COMPATIBILITY CHART

Manufacturer	Type	Type
ALCADRAIN	Alca, Rimflow	
ALFÖLDI	Saval, Bázis, Solinár	
CERSANIT	Terra, Lotos, Classic, Ellada, Eko-2000, Korál, Atlantic, Solari, Family, Meteor, Trento, Relax	Iryda, Olimpia, Prezident, Roma, Merida, Delfi
DOLOMITE	Garda	
FAYANS	Neo	
GUSTAVSBERG	Saval, Nautic	
IDEAL STANDARD	Eurovit, Simplicity (C), Simplicity, Storm, Seva M, Seva Mega	Eurovit (C), SevaMix
JIKA	Easy / Olymp, Dino, Roma, Lyra, Norma	Easy / Zeta (C), Tigo, Deep New Handicap
KERAMAG		Renova Nr.1
KERAMIN	Omega (C)	
KERASAN	Godia	
KOLO	Rekord, Idol, Impuls, Primo	Nova Top, Rekord / Krainer
MONDIAL	4031	
MULTI	Eur	
ROCA	Zoom	
ROSA	Elegans, Komfort, Evro, Premier, Ressa	
SAMARSKJI STROJFARFOR	Sanata	
SANINDUSA	Cetus	
SANTEK	Boreal, Briz	
SANTERI		Vita, Sonata
VILLEROY BOCH		O.novo
VITRA	Saval	

A604, A606 – COMPATIBILITY CHART

Manufacturer	Type	Type
ALCADRAIN	Alca, Rimflow	
ALFÖLDI	Saval, Bázis, Solinár	
CERSANIT	Terra, Lotos, Classic, Ellada, Eko-2000, Korál, Atlantic, Solari, Family, Meteor, Trento, Relax	Iryda, Olimpia, Prezident, Roma, Merida, Delfi
DOLOMITE	Garda	
FAYANS	Neo	
GUSTAVSBERG	Saval, Nautic	
IDEAL STANDARD	Eurovit, Simplicity (C), Simplicity, Storm, Seva M, Seva Mega	Eurovit (C), SevaMix
JIKA	Easy / Olymp, Dino, Roma, Lyra, Norma	Easy / Zeta (C), Tigo, Deep New Handicap
KERAMAG		Renova Nr.1
KERAMIN	Omega (C)	
KERASAN	Godia	
KOLO	Rekord, Idol, Impuls, Primo	Nova Top, Rekord / Krainer
MONDIAL	4031	
MULTI	Eur	
ROCA	Zoom	
ROSA	Elegans, Komfort, Evro, Premier, Ressa	
SAMARSKJI STROJFARFOR	Sanata	
SANINDUSA	Cetus	
SANTEK	Boreal, Briz	
SANTERI		Vita, Sonata
VILLEROY BOCH		O.novo
VITRA	Saval	

✓✓ = WC seat fully compatible with toilet bowl

✓ = WC seat compatible with toilet bowl but not perfect fit

(C) = combi WC

indicative list

A66 – COMPATIBILITY CHART

Manufacturer	Type	Type
ALCADRAIN	Rimflow	
CERSANIT	President, Merida, Terra	
DOLOMITE	Clodia	
GLACERA	Montanaro, Base	
HORNBACH		Dalea, Luna
IDEAL STANDARD	Eurovit (Ecco)	Vidima SevaMix (C)
JIKA	Mio, Dino, Easy / Olymp, Cubito, Zeta, Tigo	Zeta Plus (C), Dino Rimless
KERAMAG		Renova
KERASAN	Flo	
LAUFEN	Pro, Form	
RICHTER + FRENZEL	Optiset Optiline	
VILLEROY & BOCH	Omnia, Omnia Architectura	
VITRA	S50-52 cm	

A67 – COMPATIBILITY CHART

Manufacturer	Type	Type
ALCADRAIN		Rimflow
CERSANIT	President, Merida, Terra	
DOLOMITE	Clodia	
GLACERA	Montanaro, Base	
HORNBACH		Dalea, Luna
IDEAL STANDARD	Eurovit (Ecco)	Vidima SevaMix (C)
JIKA	Mio, Dino, Easy / Olymp, Cubito, Zeta, Lyra Plus, Tigo	Zeta Plus (C), Dino Rimless
KERAMAG		Renova
KERASAN	Flo	
LAUFEN	Pro, Form	
RAVAK	Chrome RimOff	
RICHTER + FRENZEL	Optiset Optiline	
VILLEROY & BOCH	Omnia, Omnia Architectura	
VITRA	S50-52 cm	

A67SLIM – COMPATIBILITY CHART

Manufacturer	Type	Type
ALCADRAIN	Rimflow	
CERSANIT	President, Merida, Terra, Iryda (C)	Olimpia, Olimpia (C), Iryda
DOLOMITE	Clodia	
GLACERA	Montanaro, Base	
HORNBACH		Dalea, Luna
IDEAL STANDARD		Vidima SevaMix (C)
JIKA	Mio, Dino, Easy / Olymp, Cubito, Zeta, Dino Rimless, Lyra Plus, Tigo, Deep New Handicap	
JUNGBORN	Elena (C), Dalea, Melissa	
KERAMAG	Renova Nr. 1, Renova	
KERASAN	Flo	
KOLO	Style, Impuls	Quatro
RAVAK	Uni Chrome RimOff, Uni Chrome Rim	
VILLEROY & BOCH	Subway, Omnia Architectura	
VITRA	S50-52 cm	

✓✓ = WC seat fully compatible with toilet bowl

✓ = WC seat compatible with toilet bowl but not perfect fit

(C) = combi WC

A64SLIM – COMPATIBILITY CHART

Manufacturer	Type	Type
ALCADRAIN	Alca	Rimflow
ALFÖLDI	Saval	Bázis
CERSANIT	President (C), Terra, Family, Solari, Classic, Iryda (C)	Olimpia, Olimpia (C), Iryda
DOLOMITE	Garda	
FAYANS	Neo	
GUSTAVSBERG	Saval, Nautic	
IDEAL STANDARD	Eurovit (Ecco)(C), Simplicity (C), Vidima Storm	Vidima SevaMix (C), Ulysse 2 (C), Vidima SevaM (C), Simplicity
JIKA	Lyra, Dino, Easy / Olymp, Zeta, Roman	Norma
KERAMAG		Renova Nr. 1
KERASAN	Godia	
KOLO	Nova Top, Delta, Impuls, Rekord, Idol (C)	Rekord (C), Piano (C), Primo
SANINDUSA	Cetus	
SANTEK	Boreal, Briz	
SANTERI		Vita, Sonata
VILLEROY & BOCH	Omnia, Omnia Pro, Omnia Compact	
VITRA	Pera, SeaBay (C)	

A674S – COMPATIBILITY CHART

Manufacturer	Type	Type
ALCADRAIN		Rimflow
CERSANIT	Iryda, Iryda (C)	Delfi, Olimpia, Olimpia (C), Parva, Parva (C)
FORM	Novalis	Corto
GUSTAVSBERG		Nautic
HORNBACH		Melissa, Luna
IDEAL STANDARD		Simplicity
JIKA	Dino Rimless, Easy, Lyra Plus, Mio, Mio (C), Tigo, Tigo (C)	
LAUFEN	Laufen Pro	
PTÁČEK		Concept 100
RAVAK	Uni Chrome RimOff, Uni Chrome Rim	
RICHTER + FRENZEL		Optiline Europa
SANITEC - KERAMAG - KOLO	Icon, Primo	Renova Nr. 1
VILLEROY & BOCH	Verity, Subway 2.0 (compact), O.novo	
VITRA	Concept 500	

A678S – COMPATIBILITY CHART

Manufacturer	Type	Type
ALCADRAIN	WC Alca MEDIC	

✓✓ = WC seat fully compatible with toilet bowl

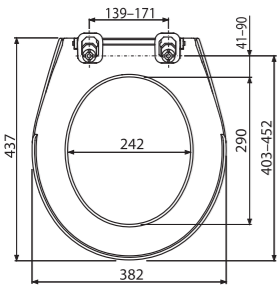
✓ = WC seat compatible with toilet bowl but not perfect fit

(C) = combi WC

HINGES – COMPATIBILITY CHART

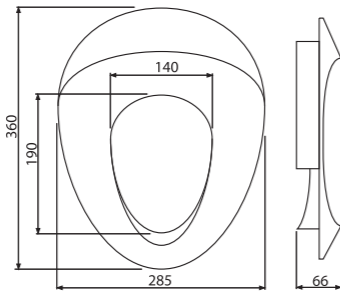
Hinges	Type
P0009-ND	A60
P096	A601, A601 BAHAMA, A601 PERGAMON, A601 PISTACHIO
P105	A602, A603, A604, A604 FLOWER, A604 SHELL, A604 ZEN, A604 BAHAMA, A604 PERGAMON, A604 PISTACHIO, A606, A674S
P105B	A602, A603, A604, A604 FLOWER, A604 SHELL, A604 ZEN, A604 BAHAMA, A604 PERGAMON, A604 PISTACHIO, A606, A674S
P106	A602, A603, A604, A604 FLOWER, A604 SHELL, A604 ZEN, A604 BAHAMA, A604 PERGAMON, A604 PISTACHIO, A606, A674S
P106B	A602, A603, A604, A604 FLOWER, A604 SHELL, A604 ZEN, A604 BAHAMA, A604 PERGAMON, A604 PISTACHIO, A606, A674S
P113	A602, A603, A604, A604 FLOWER, A604 SHELL, A604 ZEN, A604 BAHAMA, A604 PERGAMON, A604 PISTACHIO, A606, A674S, A67SLIM
Z0137B-ND	A64, A65, A66, A67
Z0952-ND	A64SLIM, A67SLIM
P157	A678S
P170	A6550, A6551
P179	A64, A66, A67

A60 Antibacterial
WC seat Antibacterial



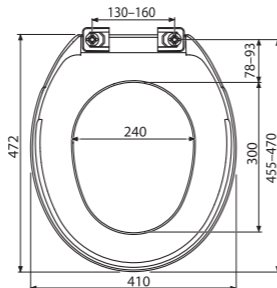
Quantity (packing)	13 pcs
Quantity (pallet)	208 pcs
Hinges	P0009-ND
Material	polypropylene with antibacterial properties

A68
Potty training WC seat



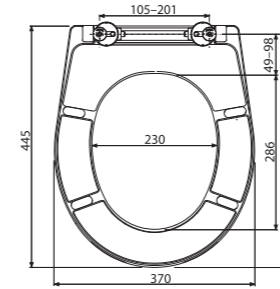
Quantity (packing)	6 pcs
Quantity (pallet)	216 pcs
Hinges	-
Material	polypropylene

A6550
WC seat Basic Antibacterial



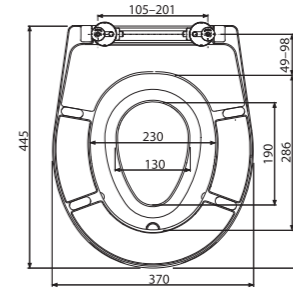
Quantity (packing)	15 pcs
Quantity (pallet)	270 pcs
Hinges	-
Material	polypropylene

A602
WC seat universal, Duroplast



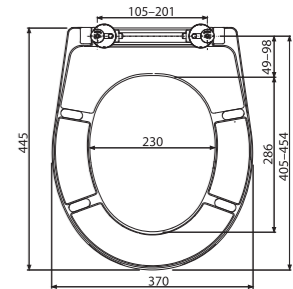
Quantity (packing)	5 pcs
Quantity (pallet)	120 pcs
Hinges	P106B
Material	Duroplast with antibacterial properties

A603
WC seat universal with integrated insert, Duroplast



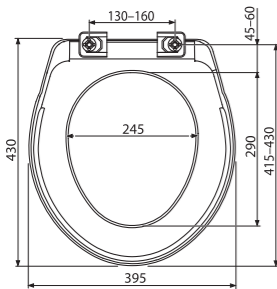
Quantity (packing)	5 pcs
Quantity (pallet)	120 pcs
Hinges	P106B
Material	Duroplast with antibacterial properties
WC seat insert material	polypropylene with antibacterial properties

A604
WC seat universal SOFTCLOSE, Duroplast



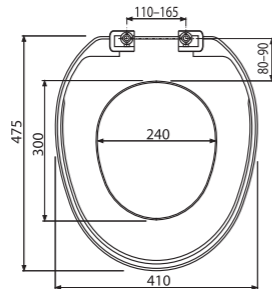
Quantity (packing)	5 pcs
Quantity (pallet)	120 pcs
Hinges	P106B
Material	Duroplast with antibacterial properties

A6551
WC seat Basic Antibacterial



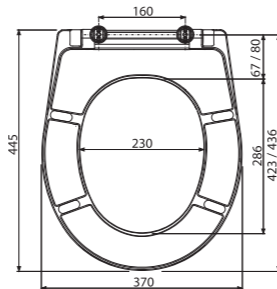
Quantity (packing)	15 pcs
Quantity (pallet)	270 pcs
Hinges	-
Material	polypropylene

A3553
WC seat



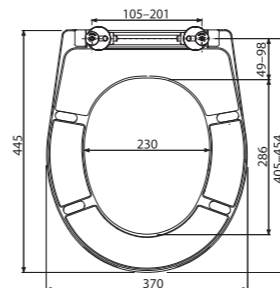
Quantity (packing)	21 pcs
Quantity (pallet)	336 pcs
Hinges	-
Material	polypropylene

A601
WC seat Duroplast



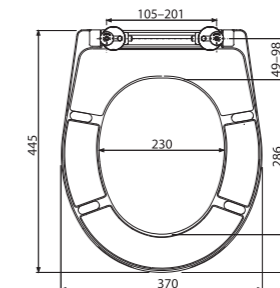
Quantity (packing)	5 pcs
Quantity (pallet)	120 pcs
Hinges	P096
Material	Duroplast with antibacterial properties

A604 FLOWER
WC seat universal SOFTCLOSE, Duroplast



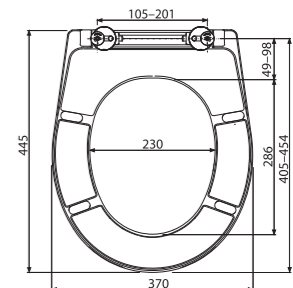
Quantity (packing)	5 pcs
Quantity (pallet)	120 pcs
Hinges	P106B
Material	Duroplast with antibacterial properties

A604 SHELL
WC seat universal SOFTCLOSE, Duroplast



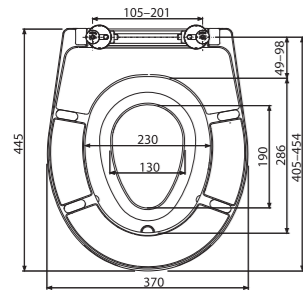
Quantity (packing)	5 pcs
Quantity (pallet)	120 pcs
Hinges	P106B
Material	Duroplast with antibacterial properties

A604 ZEN
WC seat universal SOFTCLOSE, Duroplast



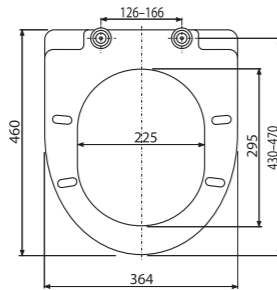
Quantity (packing)	5 pcs
Quantity (pallet)	120 pcs
Hinges	P106B
Material	Duroplast with antibacterial properties

A606
WC seat universal SOFTCLOSE with integrated insert, Duroplast



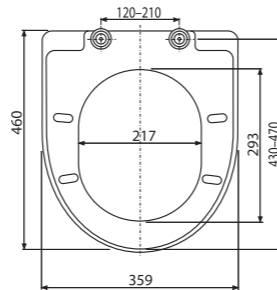
Quantity (packing)	5 pcs
Quantity (pallet)	120 pcs
Hinges	P106B
Material	Duroplast with antibacterial properties

A66
WC seat SOFTCLOSE, Duroplast



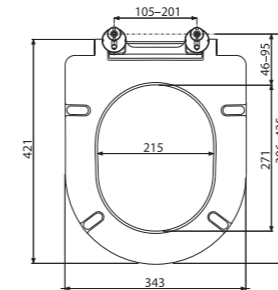
Quantity (packing)	5 pcs
Quantity (pallet)	80 pcs
Hinges	Z0137B-ND
Material	Duroplast with antibacterial properties

A67
WC seat SOFTCLOSE, Duroplast



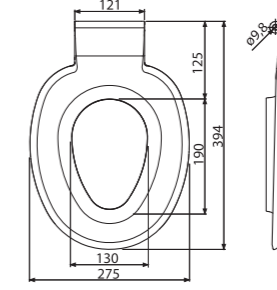
Quantity (packing)	5 pcs
Quantity (pallet)	80 pcs
Hinges	Z0137B-ND
Material	Duroplast with antibacterial properties

A678S
WC seat Duroplast



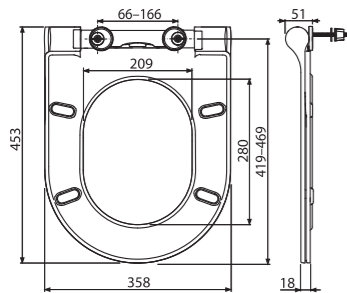
Quantity (packing)	5 pcs
Quantity (pallet)	120 pcs
Hinges	P157
Material	Duroplast with antibacterial properties

P102
WC seat – integrated insert



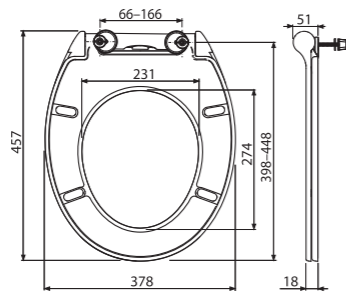
Quantity (packing)	20 pcs
Quantity (pallet)	320 pcs
Hinges	-
Material	polypropylene with antibacterial properties

A67SLIM
WC seat SLIM SOFTCLOSE, Duroplast



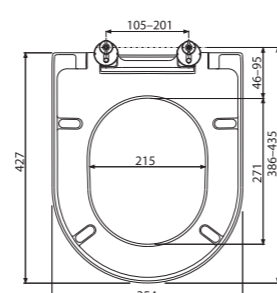
Quantity (packing)	5 pcs
Quantity (pallet)	80 pcs
Hinges	Z0952-ND
Material	Duroplast with antibacterial properties

A64SLIM
WC seat SLIM SOFTCLOSE, Duroplast



Quantity (packing)	5 pcs
Quantity (pallet)	80 pcs
Hinges	Z0952-ND
Material	Duroplast with antibacterial properties

A674S
WC seat SOFTCLOSE, Duroplast



Quantity (packing)	5 pcs
Quantity (pallet)	120 pcs
Hinges	P106B
Material	Duroplast with antibacterial properties

P0009-ND
Hinges for A60



Quantity (packing)	-
Quantity (pallet)	-

P096
Hinges for A601



Quantity (packing)	-
Quantity (pallet)	-

P106
Hinges for bottom installation, stainless steel cover



Quantity (packing)	-
Quantity (pallet)	-

P106B
Hinges for bottom installation, white cover



Quantity (packing) _____ -
Quantity (pallet) _____ -

P105
Hinges with top installation, stainless steel cover



Quantity (packing) _____ -
Quantity (pallet) _____ -

P105B
Hinges for top installation, white cover



Quantity (packing) _____ -
Quantity (pallet) _____ -

Z0137B-ND
Hinges for A66, A67 (until 2014)



Quantity (packing) _____ -
Quantity (pallet) _____ -

P179
Hinges for A64, A66, A67, pin 6 mm (since 2015)



Quantity (packing) _____ -
Quantity (pallet) _____ -

Z0952-ND
Hinges for A64SLIM, A67SLIM



Quantity (packing) _____ -
Quantity (pallet) _____ -

P113
Dowel for top installation of WC seats



Quantity (packing) _____ -
Quantity (pallet) _____ -

P157
Hinges for A678S



Quantity (packing) _____ -
Quantity (pallet) _____ -

P170
Hinges for A6550, A6551



Quantity (packing) _____ -
Quantity (pallet) _____ -



Linear drains

Linear shower drains	80
Waste systems	92
Corner shower drain	93
Linear shower drains Antivandal	94
Linear shower drains – accessories	95
Plastic linear shower drains	96
Stainless steel strips for sloped floor	101

APZ1, APZ101 Low

Shower drain with an edge for perforated grids
(300, 550, 650, 750, 850, 950, 1050, 1150, 1450 mm)



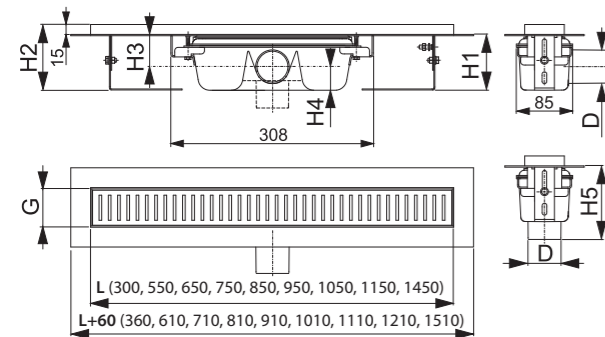
25

APZ1001, APZ1101 Low

Shower drain with an edge for perforated grids, straight outlet
(300, 550, 650, 750, 850, 950, 1050, 1150, 1450 mm)



25

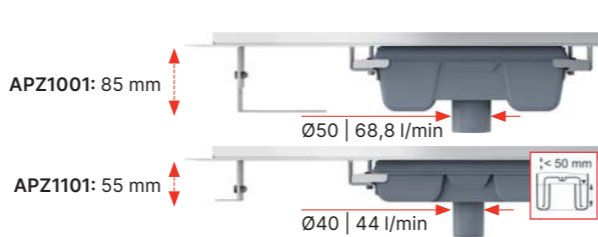
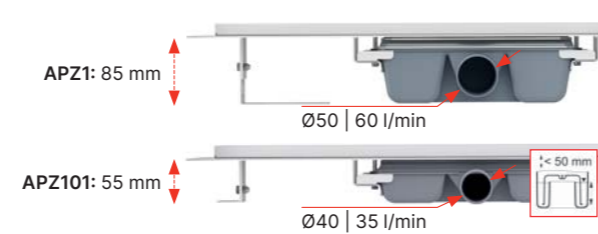


APZ1/1001 APZ101/1101
APZ1BLACK APZ101BLACK

Minimum floor thickness (H1)	85 mm	55 mm
Total installation height (H2)	100-158 mm	70-96 mm
Height from the axis of the waste to the collar (H3)	48/- mm	33,5/- mm
Height from the axis of the waste to the bottom of the trap (H4)	36/- mm	21,5/- mm
Building height to the waste (H5)	-/111 mm	-/100 mm
Drain channel width (G)	60 mm	60 mm
Flow rate (EN 1253-1)	60/68,8 l/min	35/44 l/min
Outlet pipe diameter (D)	Ø50	Ø40
Load class (EN 1253-1)	K3 = max. 300 kg	
Material - drain body	stainless steel DIN 1.4301	
Material - odour trap	polypropylene	
Drain channel length (L)	300, 550, 650, 750, 850, 950, 1050, 1150, 1450 mm	

Quantity (packing) APZ1-850	12 pcs
Dimensions (piece) APZ1-850	920×135×170 mm
Weight (piece) APZ1-850	3,3674 kg

Table of size variants for linear shower drains and grids – page 213



LINE

Stainless steel-polished / Stainless steel-matt



PURE

Stainless steel-polished / Stainless steel-matt



CUBE

Stainless steel-polished / Stainless steel-matt



HOPE

Stainless steel-polished / Stainless steel-matt



BUBBLE

Stainless steel-polished / Stainless steel-matt



DREAM

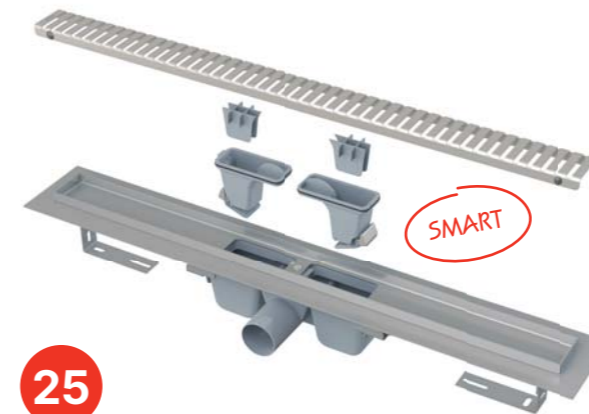
Stainless steel-polished / Stainless steel-matt



Quantity (packing) LINE-850	1 pc
Dimensions (piece) LINE-850	890×20×55 mm
Weight (piece) LINE-850	0,6485 kg

APZ1SMART-LINE

Shower drain with an edge for perforated grids
(550, 650, 750 mm)



25

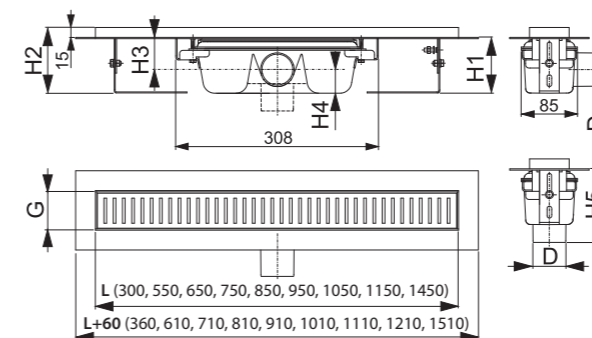
Quantity (packing) APZ1SMART-LINE-750	16 pcs
Dimensions (piece) APZ1SMART-LINE-750	820×100×160 mm
Weight (piece) APZ1SMART-LINE-750	3,7242 kg

APZ1BLACK, APZ101BLACK Low

Shower drain with an edge for perforated grids, black-matt
(300, 550, 650, 750, 850, 950, 1050, 1150, 1450 mm)

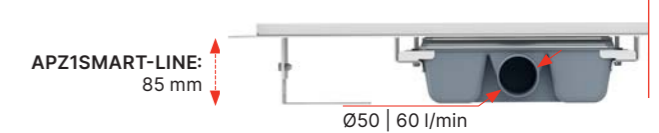


25



Quantity (packing) APZ1BLACK-850	12 pcs
Dimensions (piece) APZ1BLACK-850	920×135×170 mm
Weight (piece) APZ1BLACK-850	3,3674 kg

Table of size variants for linear shower drains and grids – page 213



All in package

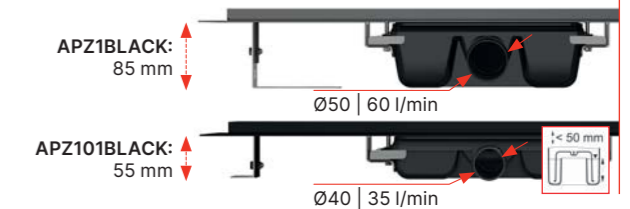


Package content

- Shower drain assembled with the odour trap
- Grid LINE
- Waterproof tape at the length of the linear drain
- Combined odour trap SMART
- Anchoring kit (screws, dowels)
- Installation legs
- Dismantling hook

LINE

Stainless steel-matt
The grid is included



PURE BLACK

Black-matt



Quantity (packing) PURE-850 BLACK	1 pc
Dimensions (piece) PURE-850 BLACK	890×20×55 mm
Weight (piece) PURE-850 BLACK	0,7522 kg

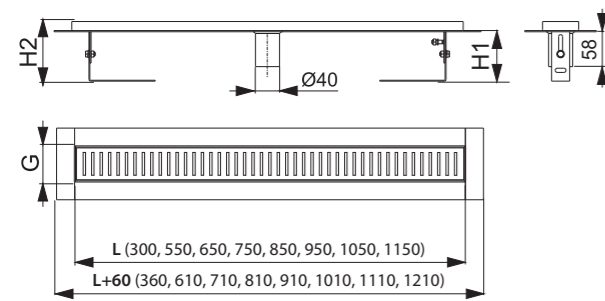
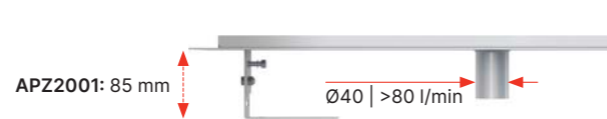
The grid is not included

APZ2001

Shower drain with an edge for perforated grids, without odour trap (300, 550, 650, 750, 850, 950, 1050, 1150 mm)



25



APZ2001	
Minimum floor thickness (H1)	85 mm
Total installation height (H2)	100–158 mm
Drain channel width (G)	60 mm
Flow rate (EN 1253-1)	>80 l/min
Outlet pipe diameter	Ø40
Load class (EN 1253-1)	K3 = max. 300 kg
Material – drain body	stainless steel DIN 1.4301
Drain channel length (L)	300, 550, 650, 750, 850, 950, 1050, 1150 mm

Quantity (packing) APZ2001-850	12 pcs
Dimensions (piece) APZ2001-850	920×135×170 mm
Weight (piece) APZ2001-850	3,2992 kg

LINE

Stainless steel-polished / Stainless steel-matt



PURE

Stainless steel-polished / Stainless steel-matt



CUBE

Stainless steel-polished / Stainless steel-matt



HOPE

Stainless steel-polished / Stainless steel-matt



BUBLE

Stainless steel-polished / Stainless steel-matt



DREAM

Stainless steel-polished / Stainless steel-matt



Quantity (packing) LINE-850	1 pc
Dimensions (piece) LINE-850	890×20×55 mm
Weight (piece) LINE-850	0,6485 kg

APZ4 Flexible, APZ104 Flexible Low

Shower drain with an edge for perforated grids and adjustable vertical flange to the wall (550, 650, 750, 850, 950, 1050, 1150 mm)



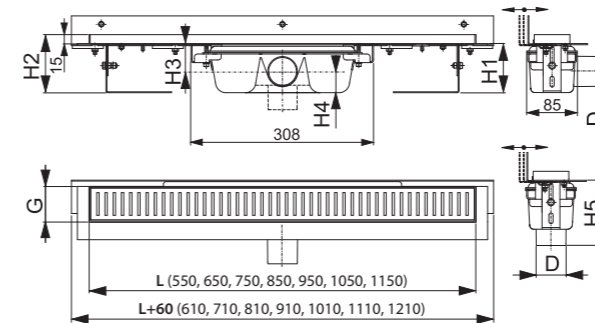
25

APZ1004 Flexible, APZ1104 Flexible Low

Shower drain with an edge for perforated grids and adjustable vertical flange to the wall, straight outlet (550, 650, 750, 850, 950, 1050, 1150 mm)

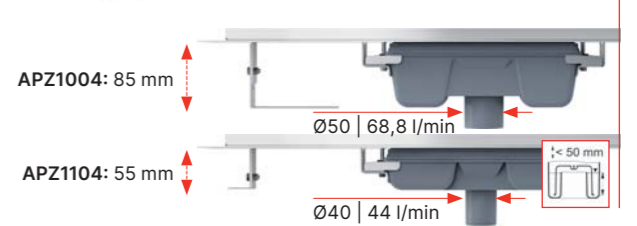
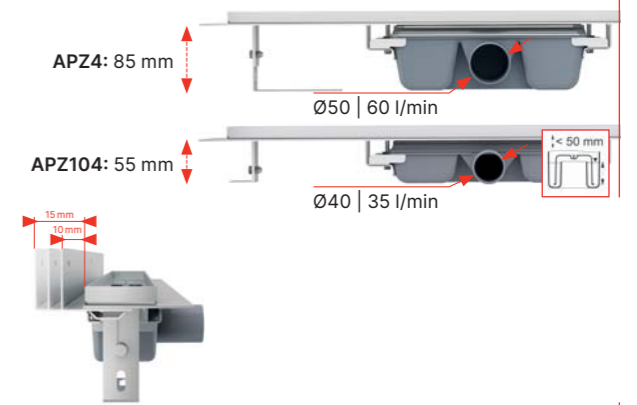


25



	APZ4/1004	APZ104/1104
Minimum floor thickness (H1)	85 mm	55 mm
Total installation height (H2)	100–158 mm	70–96 mm
Height from the axis of the waste to the collar (H3)	48/- mm	33,5/- mm
Height from the axis of the waste to the bottom of the trap (H4)	36/- mm	21,5/- mm
Building height to the waste (H5)	-/111 mm	-/100 mm
Drain channel width (G)	60 mm	60 mm
Flow rate (EN 1253-1)	60/68,8 l/min	35/44 l/min
Outlet pipe diameter (D)	Ø50	Ø40
Load class (EN 1253-1)	K3 = max. 300 kg	
Movable flange range	10–15 mm	10–15 mm
Material – drain body	stainless steel DIN 1.4301	
Material – odour trap	polypropylene	
Drain channel length (L)	550, 650, 750, 850, 950, 1050, 1150 mm	

Quantity (packing) APZ4-850	8 pcs
Dimensions (piece) APZ4-850	920×160×205 mm
Weight (piece) APZ4-850	4,4789 kg



LINE

Stainless steel-polished / Stainless steel-matt



PURE

Stainless steel-polished / Stainless steel-matt



CUBE

Stainless steel-polished / Stainless steel-matt



HOPE

Stainless steel-polished / Stainless steel-matt



BUBLE

Stainless steel-polished / Stainless steel-matt



DREAM

Stainless steel-polished / Stainless steel-matt



Quantity (packing) LINE-850	1 pc
Dimensions (piece) LINE-850	890×20×55 mm
Weight (piece) LINE-850	0,6485 kg

Table of size variants for linear shower drains and grids – page 214

APZ6 Professional, APZ106 Professional Low

Shower drain with an edge for full grids (300, 550, 650, 750, 850, 950, 1050, 1150 mm)



25

APZ1006 Professional, APZ1106 Professional Low

Shower drain with an edge for full grids, straight outlet (300, 550, 650, 750, 850, 950, 1050, 1150 mm)



25

APZ16 Wall, APZ116 Wall Low

Shower drain with an edge for full grids and fixed vertical flange to the wall (300, 550, 650, 750, 850, 950, 1050, 1150 mm)



25

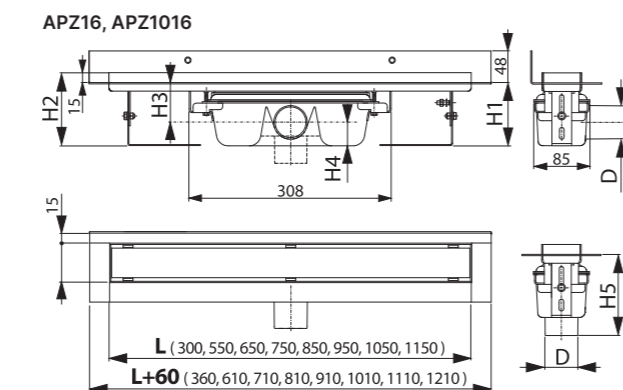
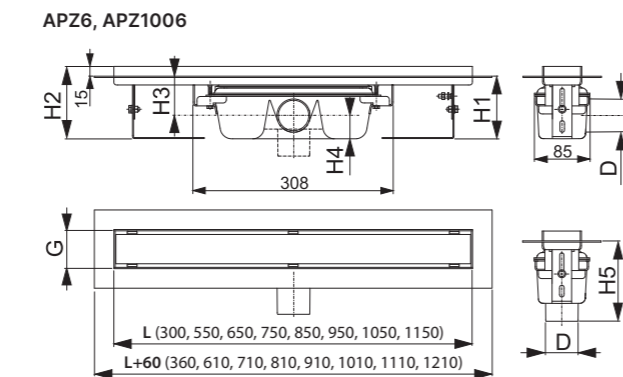
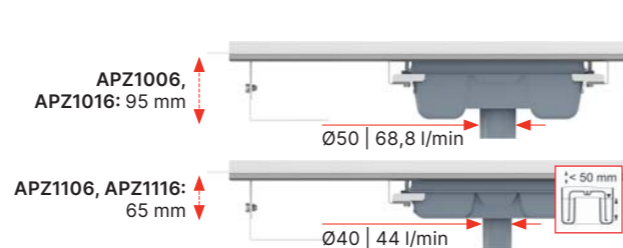
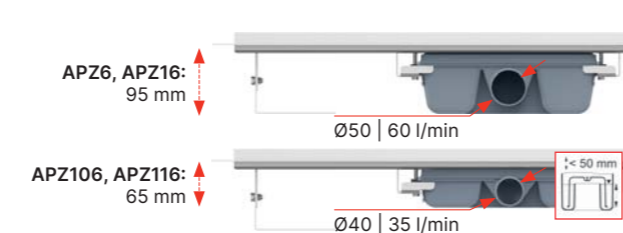
APZ1016 Wall, APZ1116 Wall Low

Shower drain with an edge for full grids and fixed vertical flange to the wall, straight outlet (300, 550, 650, 750, 850, 950, 1050, 1150 mm)



25

Quantity (packing) APZ6-850	12 pcs
Dimensions (piece) APZ6-850	920×135×170 mm
Weight (piece) APZ6-850	3,9031 kg



Quantity (packing) APZ16-850	8 pcs
Dimensions (piece) APZ16-850	920×205×160 mm
Weight (piece) APZ16-850	4,4987 kg

Table of size variants for linear shower drains and grids – page 214

POSH

Stainless steel-matt



Quantity (packing) POSH-850	1 pc
Dimensions (piece) POSH-850	860×35×65 mm
Weight (piece) POSH-850	1,9787 kg



DESIGN

Stainless steel-polished / Stainless steel-matt



DESIGN-ANTIC

Bronze-antic



Quantity (packing) DESIGN-850	1 pc
Dimensions (piece) DESIGN-850	860×35×65 mm
Weight (piece) DESIGN-850	0,8614 kg

GAP

Stainless steel-matt



Quantity (packing) GAP-850	1 pc
Dimensions (piece) GAP-850	860×65×35 mm
Weight (piece) GAP-850	1,619 kg

	APZ6/1006 APZ16/1016	APZ106/1106 APZ116/1116
Minimum floor thickness (H1)	95 mm	65 mm
Total installation height (H2)	110–168 mm	80–106 mm
Height from the axis of the waste to the collar (H3)	59/- mm	44,5/- mm
Height from the axis of the waste to the bottom of the trap (H4)	36/- mm	21,5/- mm
Building height to the waste (H5)	-/122 mm	-/110 mm
Drain channel width (G)	60 mm	60 mm
Flow rate (EN 1253-1)	60/68,8 l/min	35/44 l/min
Outlet pipe diameter (D)	Ø50	Ø40
Material – drain body	stainless steel DIN 1.4301	
Material – odour trap	polypropylene	
Drain channel length (L)	300, 550, 650, 750, 850, 950, 1050, 1150 mm	

FLOOR

Grid for embedding tiles



Quantity (packing) FLOOR-850	1 pc
Dimensions (piece) FLOOR-850	860×35×65 mm
Weight (piece) FLOOR-850	0,9123 kg

GL1200

GLASS – glass-white



GL1202

GLASS – glass-green



GL1204

GLASS – glass-black



Quantity (packing) GL1200-850	1 pc
Dimensions (piece) GL1200-850	1200×0×Ø60 mm
Weight (piece) GL1200-850	1,6431 kg



These grids have the following codes:
DESIGN – the basis is a stainless steel U-profile, with rounded edges. Two different finishes are available: polished and brushed matt.

POSH – a solid stainless steel plate is attached to the standard U-profile, with clean lines and well-defined edges. Surface finish is brushed matt.

Load class – K3.

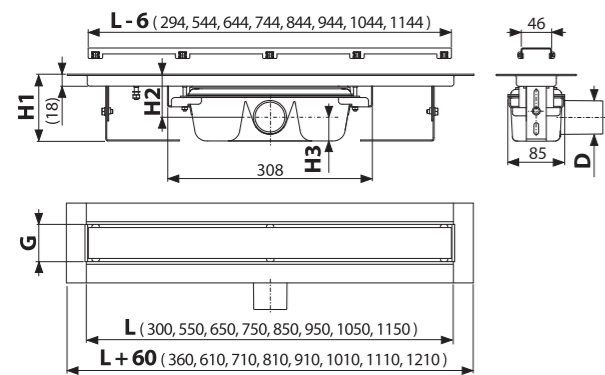


These grids have the following codes:
GL line – tempered glass
The grids are based on stainless steel U-profiles to which a solid piece of tempered glass is attached, available in a range of colours and with a high gloss finish. The special, toughened glass conforms to the relevant safety regulations EN 12150-2.
Load class – H15.

APZ15 Marble, APZ115 Marble Low
 Shower drain without edge with grid for embedding tiles
 (300, 550, 650, 750, 850, 950, 1050, 1150 mm)



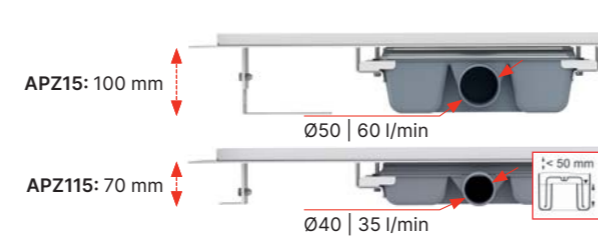
25



	APZ15	APZ115
Minimum floor thickness (H1)	100–158 mm	71–97 mm
Height from the axis of the waste to the collar (H3)	65 mm	50 mm
Height from the axis of the waste to the bottom of the trap (H4)	35 mm	21 mm
Drain channel width (G)	56 mm	56 mm
Flow rate (EN 1253-1)	60–68,8 l/min	35 l/min
Outlet pipe diameter (D)	Ø50	Ø40
Load class (EN 1253-1)	K3 = max. 300 kg	
Material – drain body (ČSN 17240)	stainless steel DIN 1.4301	
Material – odour trap	polypropylene	
Drain channel length (L)	300, 550, 650, 750, 850, 950, 1050, 1150 mm	

Quantity (packing) APZ15-850	8 pcs
Dimensions (piece) APZ15-850	920×205×160 mm
Weight (piece) APZ15-850	5,3917 kg

Table of size variants for linear shower drains and grids – page 214



All in package



Package content

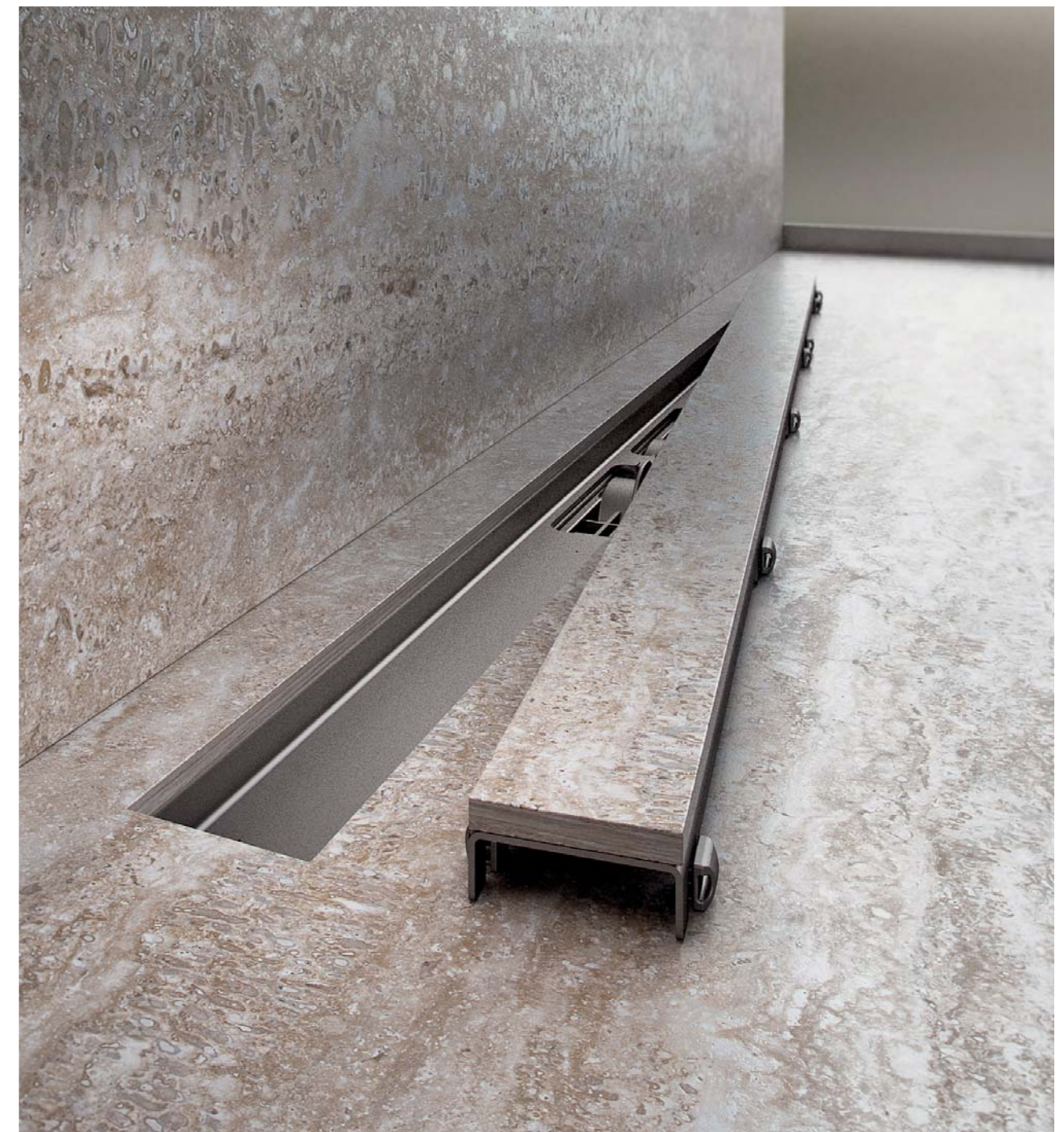
- Shower drain assembled with the odour trap
- Grid for gluing various types of floor coverings
- Template for cutting tiles on the grid
- Waterproof tape at the length of the linear drain
- Anchoring kit (screws, dowels)
- Installation legs
- Dismantling hook

Shower drain APZ15 Marble

The new generation of stainless steel shower drains APZ15 is aimed especially for design fans. The water is drained by two slots in the pavement of the bathroom that hides the stainless steel shower drain without edges. The view is not optically disturbed by the stainless steel edge neither on the grid nor on the shower drain. Naturally functioning secondary drainage will ensure outflow of moisture under the pavement back into the shower drain body.

Advantages of the shower drain:

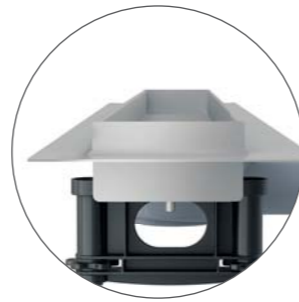
- Design shower drain is suitable for any paving thickness and for large format natural stone boards
- Water drainage is ensured by the slot in the pavement
- Uniform floor surface in the bathroom is achieved by the innovative shower drain and grid construction without edge
- The upper side of grid is covered with a special rough surface to ensure a safe bonding with the embedded tiles



APZ13 Fit and Go

All in one package. Shower drain APZ13 with two-sided grid DOUBLE

Set APZ13 Fit and Go includes shower drain, low odour trap APZ-S9 (81 mm) and two-sided grid DOUBLE. Fit and Go provides solutions for fast and easy installation.

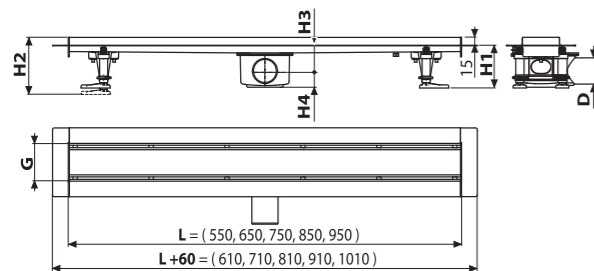


APZ13-DOUBLE9 Fit and Go

Shower drain
(550, 650, 750, 850, 950 mm)



25



All in package



Package content

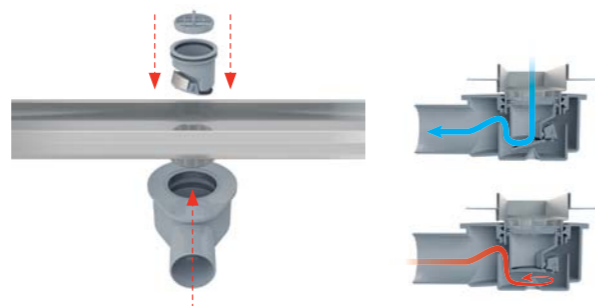
- Shower drain
- Two-sided grid DOUBLE (full grid or grid for tile embedding)
- Waterproof tape at the length of the linear drain
- Low odour trap APZ-S9
- Combined odour trap SMART
- Anchoring kit (screws, dowels)
- Installation legs
- Dismantling hook

Two-sided grid DOUBLE

The grid DOUBLE provides a choice – either a full stainless steel grid or simply by turning the grid for embedding tiles. The final decision can be made even after installation of the shower drain without any construction modifications. Two-sided grid DOUBLE offers both grid versions in one.

DOUBLE

Stainless steel-matt / Grid for embedding tiles
The grid is included



APZ13 Fit and Go

Minimum floor thickness (H1)	81 mm
Total installation height (H2)	96–170 mm
Height from the axis of the waste to the collar (H3)	50 mm
Height from the axis of the waste to the bottom of the trap (H4)	31 mm
Drain channel width (G)	71 mm
Flow rate (EN 1253-1)	50 l/min
Outlet pipe diameter (D)	Ø50
Load class (EN 1253-1)	K3 = max. 300 kg
Material – drain body	stainless steel DIN 1.4301
Material – odour trap	polypropylene
Drain channel length (L)	550, 650, 750, 850, 950 mm

APZ23 Fit and Go Wall

Shower drain APZ23 Wall with vertical flange to wall and two-sided grid DOUBLE. All in one package.

Set APZ23 Fit and Go Wall includes shower drain with vertical flange to wall, low odour trap APZ-S9 (81 mm) and two-sided grid DOUBLE. Fit and Go provides solutions for fast and easy installation.

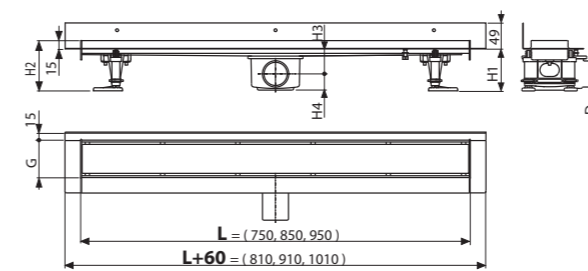


APZ23-DOUBLE9 Fit and Go Wall

Shower drain
(750, 850, 950 mm)



25



All in package



Package content

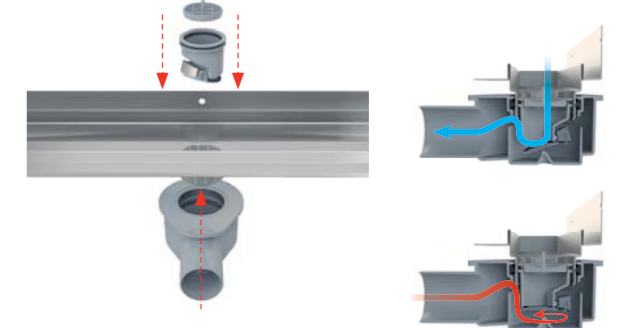
- Shower drain with vertical flange to wall
- Two-sided grid DOUBLE (full grid or grid for tile embedding)
- Waterproof tape at the length of the linear drain
- Low odour trap APZ-S9
- Combined odour trap SMART
- Anchoring kit (screws, dowels)
- Installation legs
- Dismantling hook

Two-sided grid DOUBLE

The grid DOUBLE provides a choice – either a full stainless steel grid or simply by turning the grid for embedding tiles. The final decision can be made even after installation of the shower drain without any construction modifications. Two-sided grid DOUBLE offers both grid versions in one.

DOUBLE

Stainless steel-matt / Grid for embedding tiles
The grid is included

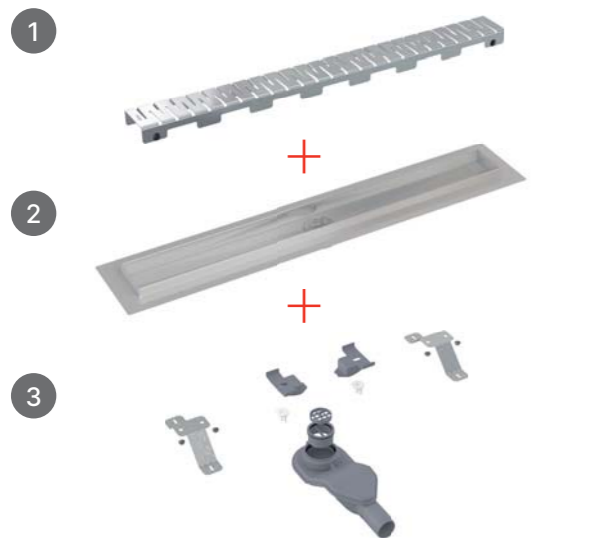


APZ23 Fit and Go Wall

Minimum floor thickness (H1)	81 mm
Total installation height (H2)	96–170 mm
Height from the axis of the waste to the collar (H3)	50 mm
Height from the axis of the waste to the bottom of the trap (H4)	31 mm
Drain channel width (G)	71 mm
Flow rate (EN 1253-1)	50 l/min
Outlet pipe diameter (D)	Ø50
Load class (EN 1253-1)	K3 = max. 300 kg
Material – drain body	stainless steel DIN 1.4301
Material – odour trap	polypropylene
Drain channel length (L)	750, 850, 950 mm

Stainless steel linear shower drains APZ13 Modular, APZ23 Modular Wall

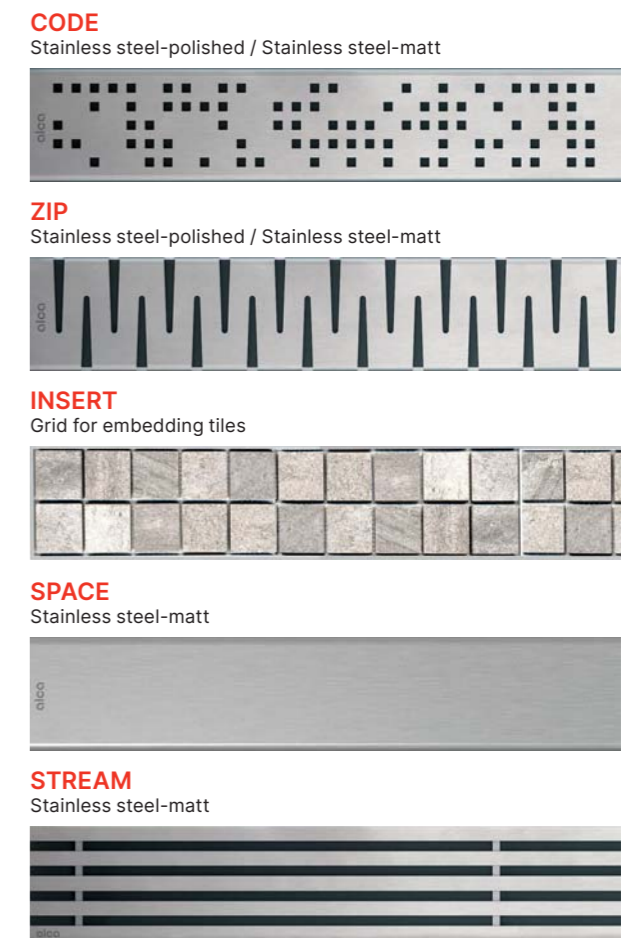
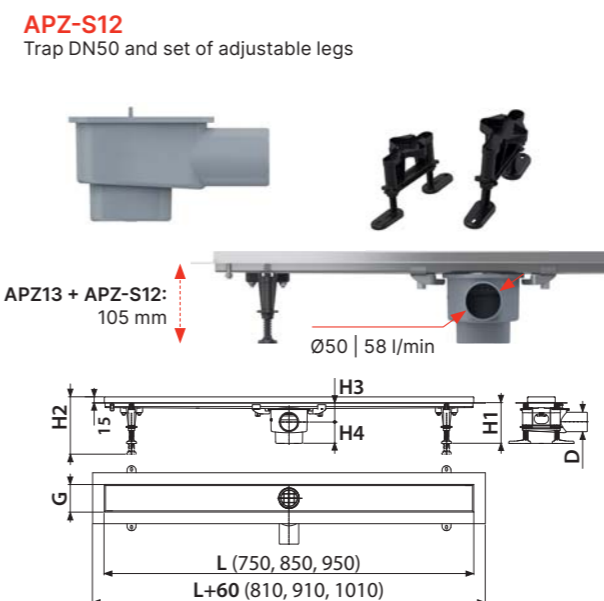
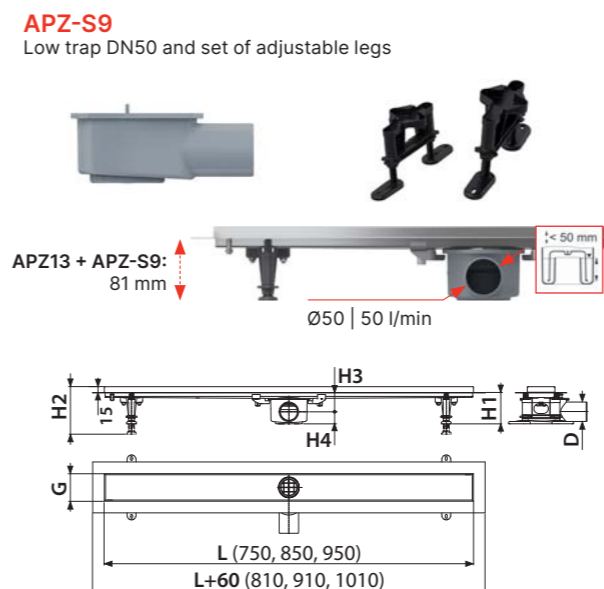
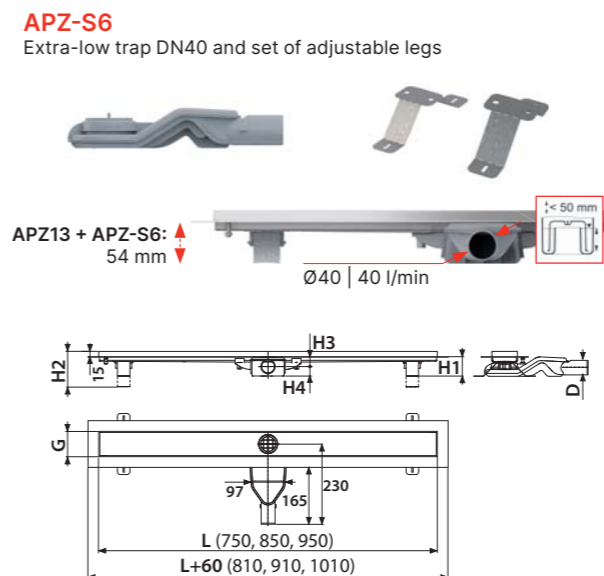
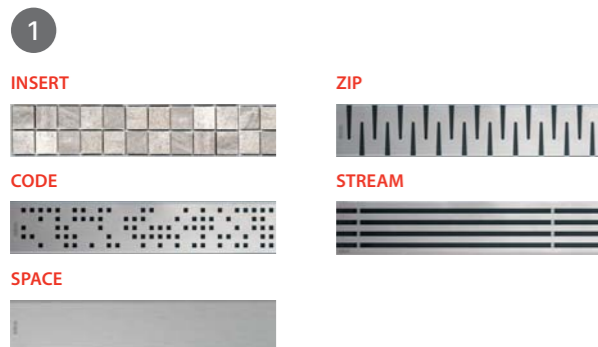
The stainless steel shower drains APZ13 and APZ23 were designed as modular products according to current standards in Western markets. We offer 3 length variants with 3 optional traps and 7 grids. The grids range includes perforated and full grids, grids for embedding tiles and prismatic grid (parallel bars).



Quantity (packing) APZ13-850	20 pcs
Dimensions (piece) APZ13-850	940×156×84 mm
Weight (piece) APZ13-850	2,0398 kg



Quantity (packing) APZ23-850	20 pcs
Dimensions (piece) APZ23-850	940×156×84 mm
Weight (piece) APZ23-850	2,6828 kg



Quantity (packing) CODE-850	1 pc
Dimensions (piece) CODE-850	855×76×40 mm
Weight (piece) CODE-850	1,2047 kg

APZ13 + APZ-S6/APZ-S9/APZ-S12, APZ23 + APZ-S6/APZ-S9/APZ-S12	
Minimum floor thickness (H1)	54/81/105 mm
Total installation height (H2)	69–86/96–170/120–170 mm
Height from the axis of the waste to the collar (H3)	24/50/50 mm
Height from the axis of the waste to the bottom of the trap (H4)	30/31/55 mm
Drain channel width (G)	71 mm
Flow rate (EN 1253-1)	40/50/58 l/min
Outlet pipe diameter (D)	Ø40/50/50
Load class (EN 1253-1)	K3 = max. 300 kg
Material – drain body (ČSN 17240)	stainless steel DIN 1.4301
Material – odour trap	polypropylene
Drain channel length (L)	750, 850, 950 mm

APZ5-EDEN Spa
APZ5-SHADE Spa
APZ5-TWIN Spa

Waste system for installation in walls
(650, 750, 850, 950, 1050 mm)



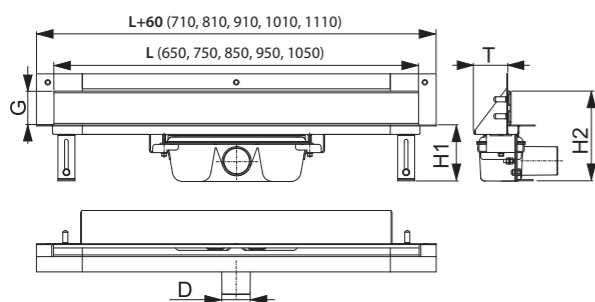
APZ5-EDEN Spa
Cover stainless steel-polished



APZ5-SHADE Spa
Cover stainless steel-matt



APZ5-TWIN Spa
Cover for embedding tiles



APZ5	
Minimum floor thickness (H1)	100 mm
Total installation height (H2)	165–220 mm
Cover width (G)	60 mm
Flow rate (EN 1253-1)	60 l/min
Outlet pipe diameter (D)	Ø50
Installation depth (T)	64 mm
Material – drain body	stainless steel DIN 1.4301
Material – odour trap	polypropylene
Drain channel length (L)	650, 750, 850, 950, 1050 mm

Quantity (packing) APZ5-SHADE-850	8 pcs
Dimensions (piece) APZ5-SHADE-850	920×160×205 mm
Weight (piece) APZ5-SHADE-850	6,2432 kg

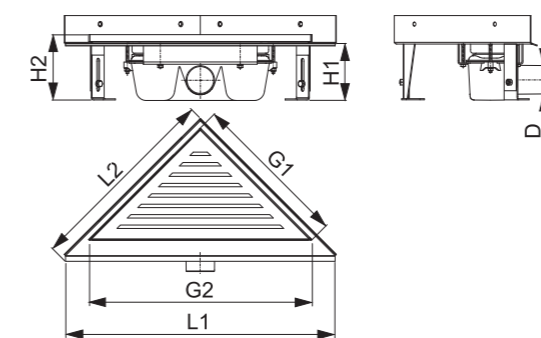
ALCA LIGHT

APZ5 Spa backlight		Length varieties of backlighting for APZ5 Spa shower drains				
Lighting colour	Length of the drain (mm)	650	750	850	950	1050
White		AEZ 120-650	AEZ 120-750	AEZ 120-850	AEZ 120-950	AEZ 120-1050
Blue		AEZ 121-650	AEZ 121-750	AEZ 121-850	AEZ 121-950	AEZ 121-1050
Green	Code of backlighting in the length of the drain	AEZ 122-650	AEZ 122-750	AEZ 122-850	AEZ 122-950	AEZ 122-1050
Red		AEZ 123-650	AEZ 123-750	AEZ 123-850	AEZ 123-950	AEZ 123-1050
Rainbow		AEZ 124-650	AEZ 124-750	AEZ 124-850	AEZ 124-950	AEZ 124-1050

Source for backlighting APZ5 Spa – AEZ310, AEZ311, AEZ320 – page 52. Overview of all order codes see page 215.

ARZ1

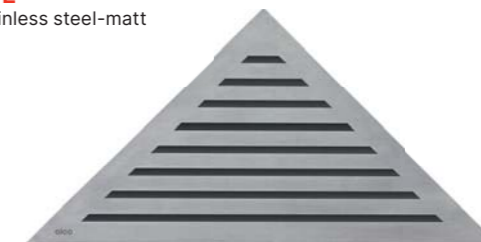
Corner shower drain without an edge for perforated grids



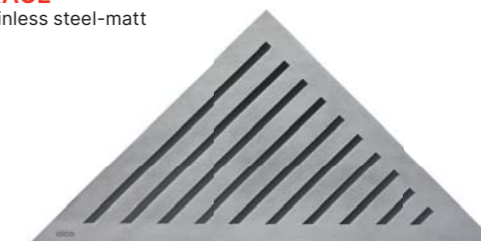
ARZ1	
Minimum floor thickness (H1)	100 mm
Total installation height (H2)	110–170 mm
Drain dimensions (L1×L2)	475×340 mm
Grid dimensions (G1×G2)	270×382 mm
Flow rate (EN 1253-1)	60 l/min
Outlet pipe diameter (D)	Ø50
Load class (EN 1253-1)	K3 = max. 300 kg
Material – drain body	stainless steel DIN 1.4301
Material – odour trap	polypropylene

Quantity (packing) ARZ1	4 pcs
Dimensions (piece) ARZ1	490×125×330 mm
Weight (piece) ARZ1	3,1764 kg

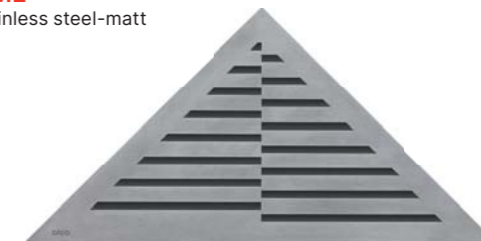
LIFE
Stainless steel-matt



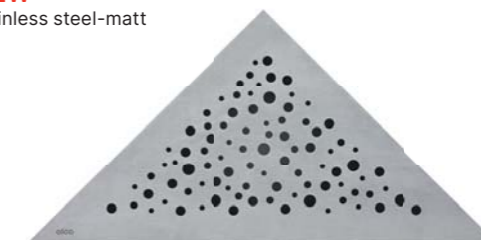
GRACE
Stainless steel-matt



TIME
Stainless steel-matt



VIEW
Stainless steel-matt



Quantity (packing) LIFE	1 pc
Dimensions (piece) LIFE	390×20×195 mm
Weight (piece) LIFE	1,2319 kg

APZ11 Antivandal, APZ111 Antivandal Low
Shower drain Antivandal with grid
(300, 550, 650, 750, 850, 950, 1050, 1150 mm)

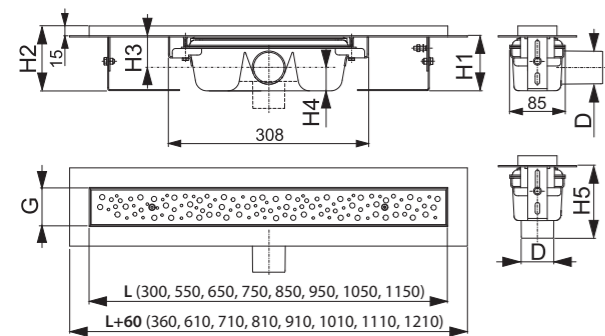


25

APZ1011 Antivandal, APZ1111 Antivandal Low
Shower drain Antivandal with grid, straight outlet
(300, 550, 650, 750, 850, 950, 1050, 1150 mm)



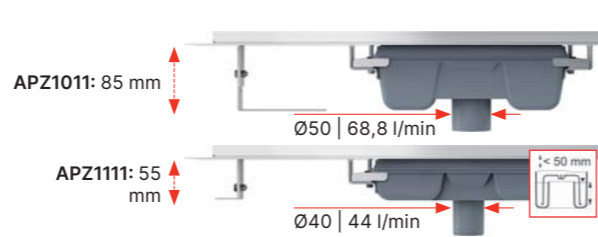
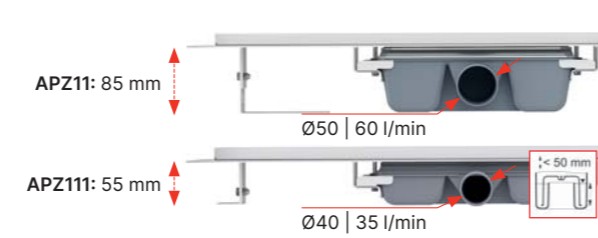
25



	APZ11/1011	APZ111/1111
Minimum floor thickness (H1)	85 mm	55 mm
Total installation height (H2)	100–158 mm	70–96 mm
Height from the axis of the waste to the collar (H3)	48/- mm	33,5/- mm
Height from the axis of the waste to the bottom of the trap (H4)	36/- mm	21,5/- mm
Building height to the waste (H5)	-/111 mm	-/100 mm
Drain channel width (G)	60 mm	60 mm
Flow rate (EN 1253-1)	60/68,8 l/min	35/44 l/min
Outlet pipe diameter (D)	Ø50	Ø40
Load class (EN 1253-1)	K3 = max. 300 kg	
Material – drain body	stainless steel DIN 1.4301	
Material – odour trap	polypropylene	
Drain channel length (L)	300, 550, 650, 750, 850, 950, 1050, 1150 mm	

Quantity (packing) APZ11-850	12 pcs
Dimensions (piece) APZ11-850	920×135×170 mm
Weight (piece) APZ11-850	4,3762 kg

Table of size variants for linear shower drains and grids – page 214



BUBLE

Stainless steel-polished / Stainless steel-matt



The grid is included

P095
Set of combined odour traps for stainless steel shower drains
ALCA



Quantity (packing)	1 pc
Quantity (pallet)	- pcs

P144
Combined odour trap SMART for APZ-S9



Quantity (packing)	1 pc
Quantity (pallet)	- pcs

AHP80
Waterproof tape – length 1200 mm



Quantity (packing)	1 pc
Quantity (pallet)	- pcs

P143
Combined odour trap SMART for APZ-S6



Quantity (packing)	1 pc
Quantity (pallet)	- pcs

P145
Combined odour trap SMART for APZ-S12



Quantity (packing)	1 pc
Quantity (pallet)	- pcs

Table of size variants for linear shower drains and grids – page 214

APZ10BLACK Simple

Shower drain with an edge for perforated grids, black-matt (550, 650, 750, 850, 950 mm)



APZ10BLACK Simple

Stainless steel-black matt – the grid is included



All in package



APZ10BLACK-BRASS Simple new

Shower drain with an edge for perforated grids, brass (550, 650, 750, 850, 950 mm)



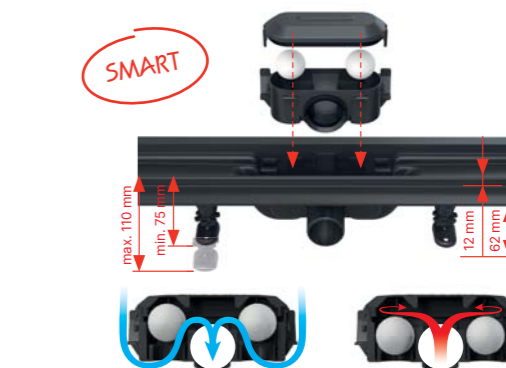
Table of size variants for linear shower drains and grids – page 214

APZ10BLACK-BRASS Simple new

Brass – the grid is included



All in package



APZ8 Simple
APZ9 Simple
APZ10 Simple

Shower drain with an edge for perforated grids (550, 650, 750, 850, 950 mm)



APZ8 Simple

Stainless steel-matt – the grid is included



APZ9 Simple

Stainless steel-matt – the grid is included



APZ10 Simple

Stainless steel-matt – the grid is included



All in package

Package content (APZ8, APZ9, APZ10, APZ10BLACK, APZ10BLACK-BRASS)

- Shower drain
- Grid
- Waterproof tape at the length of the linear drain
- Combined odour SMART trap
- Anchoring kit (screws, dowels)
- Installation legs
- Dismantling hook

APZ8 / APZ9 / APZ10 / APZ10BLACK / APZ10BLACK-BRASS	
Minimum floor thickness (H1)	62 mm
Total installation height (H2)	75–110 mm
Drain channel width (G)	60 mm
Flow rate (EN 1253-1)	30 l/min
Outlet pipe diameter (D)	Ø40
Load class (EN 1253-1)	K3 = max. 300 kg
Material – drain body	polypropylene
Material – odour trap	polypropylene
Drain channel length (L)	550, 650, 750, 850, 950 mm

Quantity (packing) APZ8-850M	30 pcs
Dimensions (piece) APZ8-850M	965×80×145 mm
Weight (piece) APZ8-850M	2,1489 kg

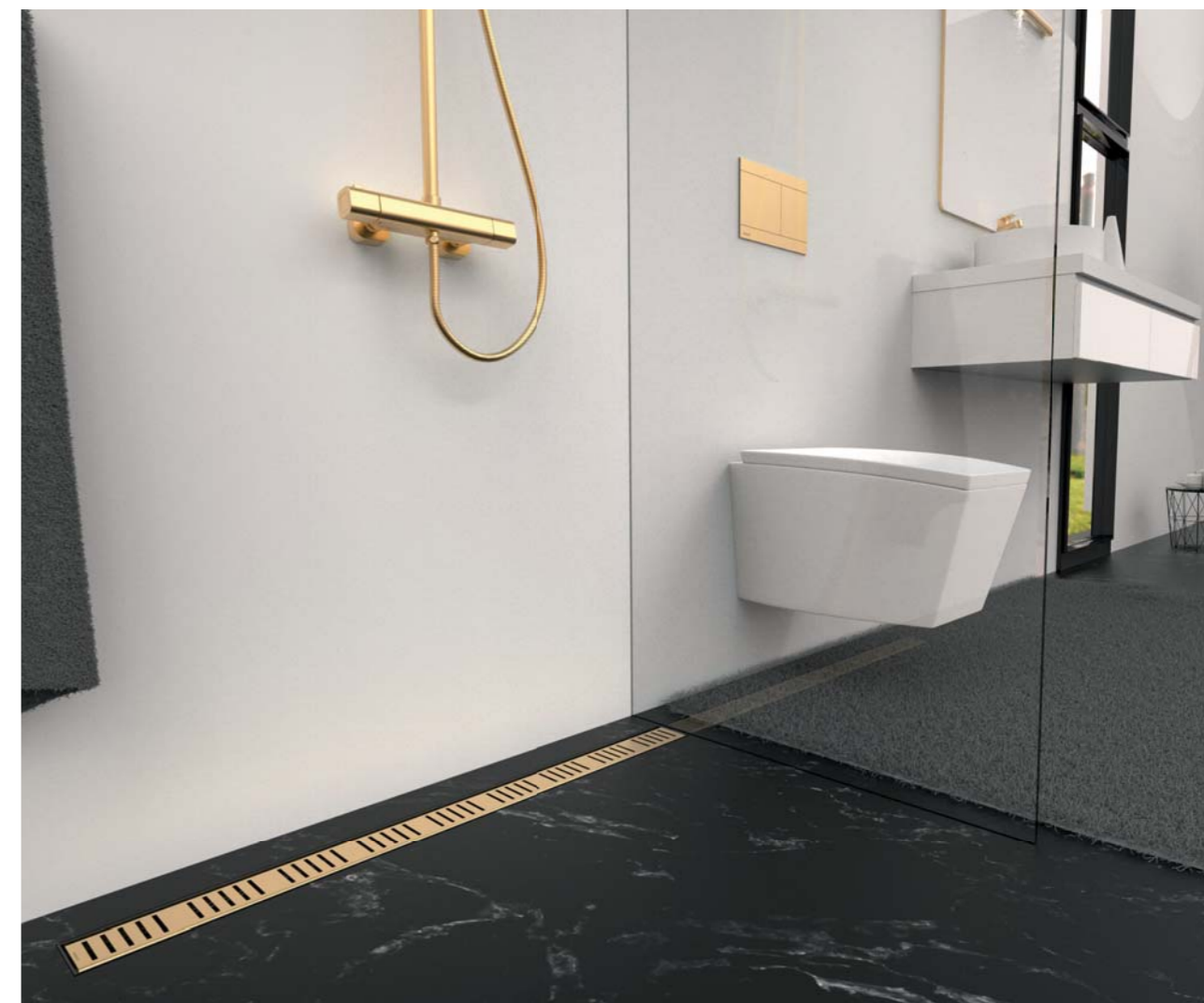
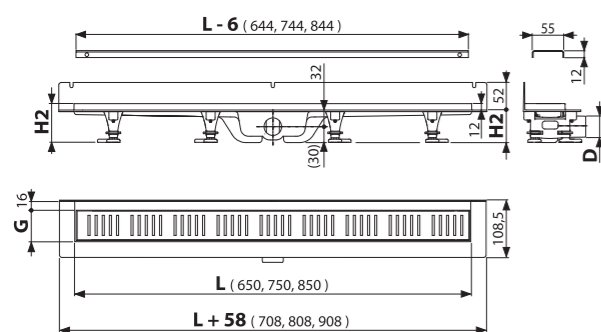


Table of size variants for linear shower drains and grids – page 214

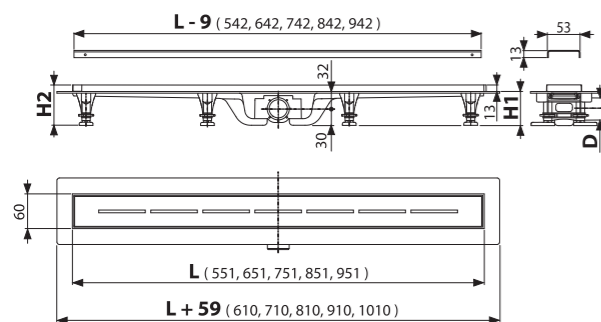
APZ30 Wall

Shower drain with an edge for perforated grids and fixed vertical flange to the wall (650, 750, 850 mm)



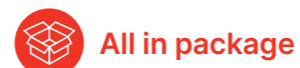
APZ18 Simple

Shower drain with a stainless steel edge for perforated grids (550, 650, 750, 850, 950 mm)



APZ30 Wall

Stainless steel-matt – the grid is included

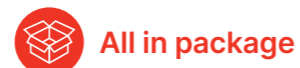


APZ30 / APZ18	
Minimum floor thickness (H1)	62 mm
Total installation height (H2)	75–110 mm
Drain channel width (G)	60 mm
Flow rate (EN 1253-1)	30 l/min
Outlet pipe diameter (D)	Ø40
Load class (EN 1253-1)	K3 = max. 300 kg
Material – drain body	polypropylene
Material – odour trap	polypropylene
Drain channel length (L) APZ30	650, 750, 850 mm
Drain channel length (L) APZ18	550, 650, 750, 850, 950 mm

Quantity (packing) APZ30-850M	30 pcs
Dimensions (piece) APZ30-850M	865×80×145 mm
Weight (piece) APZ30-850M	1,9727 kg

APZ18 Simple

Stainless steel-matt – the grid is included

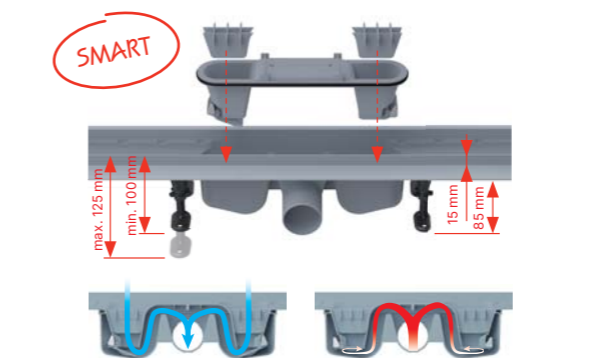


Package content (APZ18, APZ30)

- Shower drain
- Grid
- Waterproof tape at the length of the linear drain
- Combined odour SMART trap
- Anchoring kit (screws, dowels)
- Installation legs
- Dismantling hook

APZ12 Optimal

Shower drain with an edge for perforated grids or tile embedding (750, 850, 950, 1050 mm)



APZ2012 Optimal

Shower drain with an edge for perforated grids or tile embedding, without odour trap (550, 650, 750, 850 mm)



	APZ12	APZ2012
Minimum floor thickness (H1)	85 mm	85 mm
Total installation height (H2)	100–125 mm	100–125 mm
Drain channel width (G)	61,5 mm	61,5 mm
Flow rate (EN 1253-1)	63 l/min	>80 l/min
Outlet pipe diameter	Ø50	Ø50
Load class (EN 1253-1)	K3 = max. 300 kg	
Material – drain body	polypropylene	
Material – odour trap	polypropylene	
Drain channel length (L)	550, 650, 750, 850 mm	

Quantity (packing) APZ12-850	12 pcs
Dimensions (piece) APZ12-850	920×125×150 mm
Weight (piece) APZ12-850	1,51 kg

Table of size variants for linear shower drains and grids – page 213

LINE

Stainless steel-polished / Stainless steel-matt



PURE

Stainless steel-polished / Stainless steel-matt



CUBE

Stainless steel-polished / Stainless steel-matt



HOPE

Stainless steel-polished / Stainless steel-matt



BUBLE

Stainless steel-polished / Stainless steel-matt



DREAM

Stainless steel-polished / Stainless steel-matt



SOLID

Stainless steel-matt



TILE

Grid for embedding tiles



Quantity (packing) LINE-850	1 pc
Dimensions (piece) LINE-850	890×20×55 mm
Weight (piece) LINE-850	0,6485 kg

P138

Low trap DN50 for shower drains APZ2012, APZ2022



Quantity (packing)	28 pc
Quantity (pallet)	– pcs

P142

Extra-low trap DN40 for shower drains APZ2012, APZ2022



Quantity (packing)	36 pc
Quantity (pallet)	– pcs

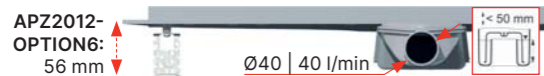
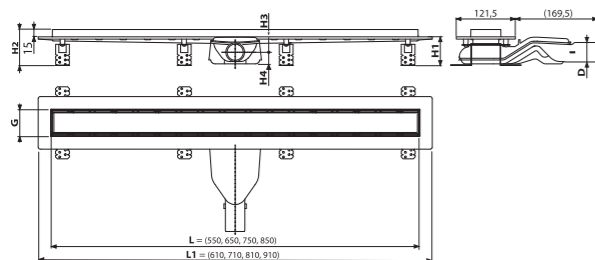
APZ2012-OPTION6 Optimal

Shower drain with an edge for two-sided grid (550, 650, 750, 850 mm)

new



6



APZ2012-OPTION6

Minimum floor thickness (H1)	56 mm
Total installation height (H2)	71-110 mm
Drain channel width (G)	61,5 mm
Flow rate (EN 1253-1)	40 l/min
Outlet pipe diameter	Ø40
Load class (EN 1253-1)	K3 = max. 300 kg
Material – drain body	polypropylene
Material – odour trap	polypropylene
Drain channel length (L)	550, 650, 750, 850 mm

Quantity (packing) APZ2012-OPTION6-850	20 pcs
Dimensions (piece) APZ2012-OPTION6-850	820×125×150 mm
Weight (piece) APZ2012-OPTION6-850	2,3057 kg

Table of size variants for linear shower drains and grids – page 213

All in package



Package content

- Shower drain APZ2012-OPTION6
- Two-sided grid OPTION (full grid or grid for tile embedding)
- Waterproof tape at the length of the linear drain
- Low odour trap P142
- Anchoring kit (screws, dowels)
- Installation legs
- Dismantling hook

Two-sided grid DOUBLE

The grid DOUBLE provides a choice – either a full stainless steel grid or simply by turning the grid for embedding tiles. The final decision can be made even after installation of the shower drain without any construction modifications. Two-sided grid DOUBLE offers both grid versions in one.

OPTION

Stainless steel-matt / Grid for embedding tiles
The grid is included



P143

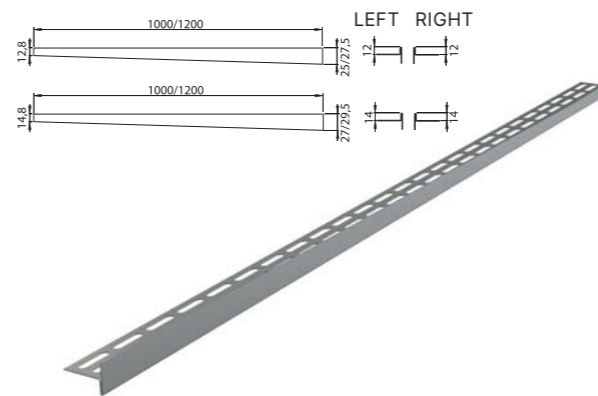
Combined odour trap SMART for APZ-S6



SMART

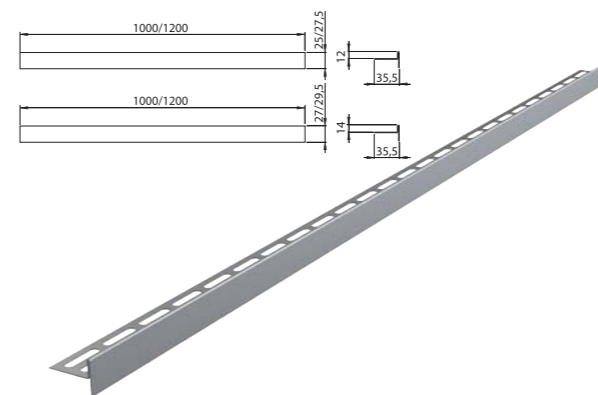
Quantity (packing)	1 pc
Quantity (pallet)	- pcs

Stainless steel strip for sloped floors



Quantity (packing)	1 pc
Dimensions (piece)	1000×36×27,5 mm
Material	stainless steel DIN 1.4301

Stainless steel double-sided strip for sloped floors



Quantity (packing)	1 pc
Dimensions (piece)	1000×36×27 mm
Material	stainless steel DIN 1.4301

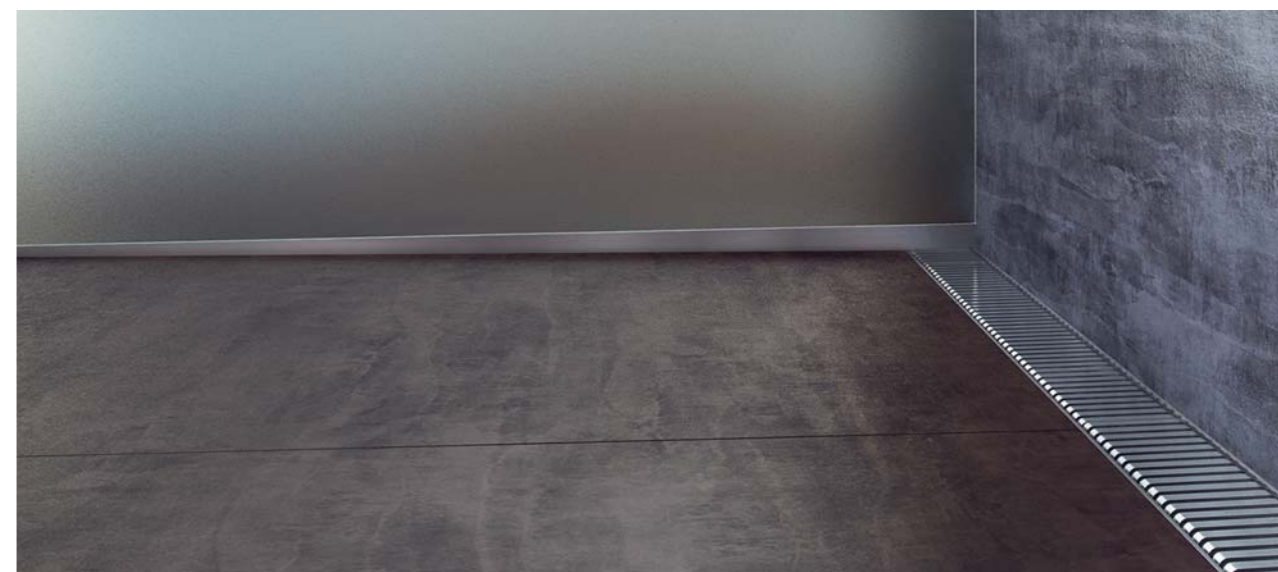
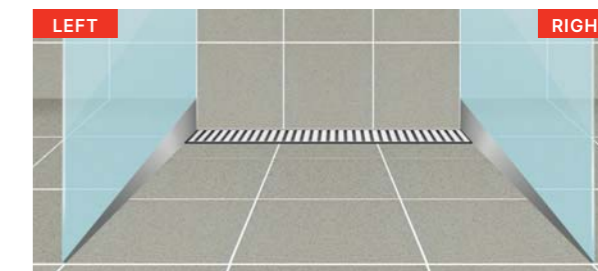
Table of variants for stainless steel strips for sloped floor

Code	Flange height	Length (mm)	Type	Version
APZ 901M/1000	12	1000	left	matt
APZ 902M/1000	12	1000	right	matt
APZ 903M/1000	14	1000	left	matt
APZ 904M/1000	14	1000	right	matt

Code	Flange height	Length (mm)	Type	Version
APZ 901M/1200	12	1200	left	matt
APZ 902M/1200	12	1200	right	matt
APZ 903M/1200	14	1200	left	matt
APZ 904M/1200	14	1200	right	matt

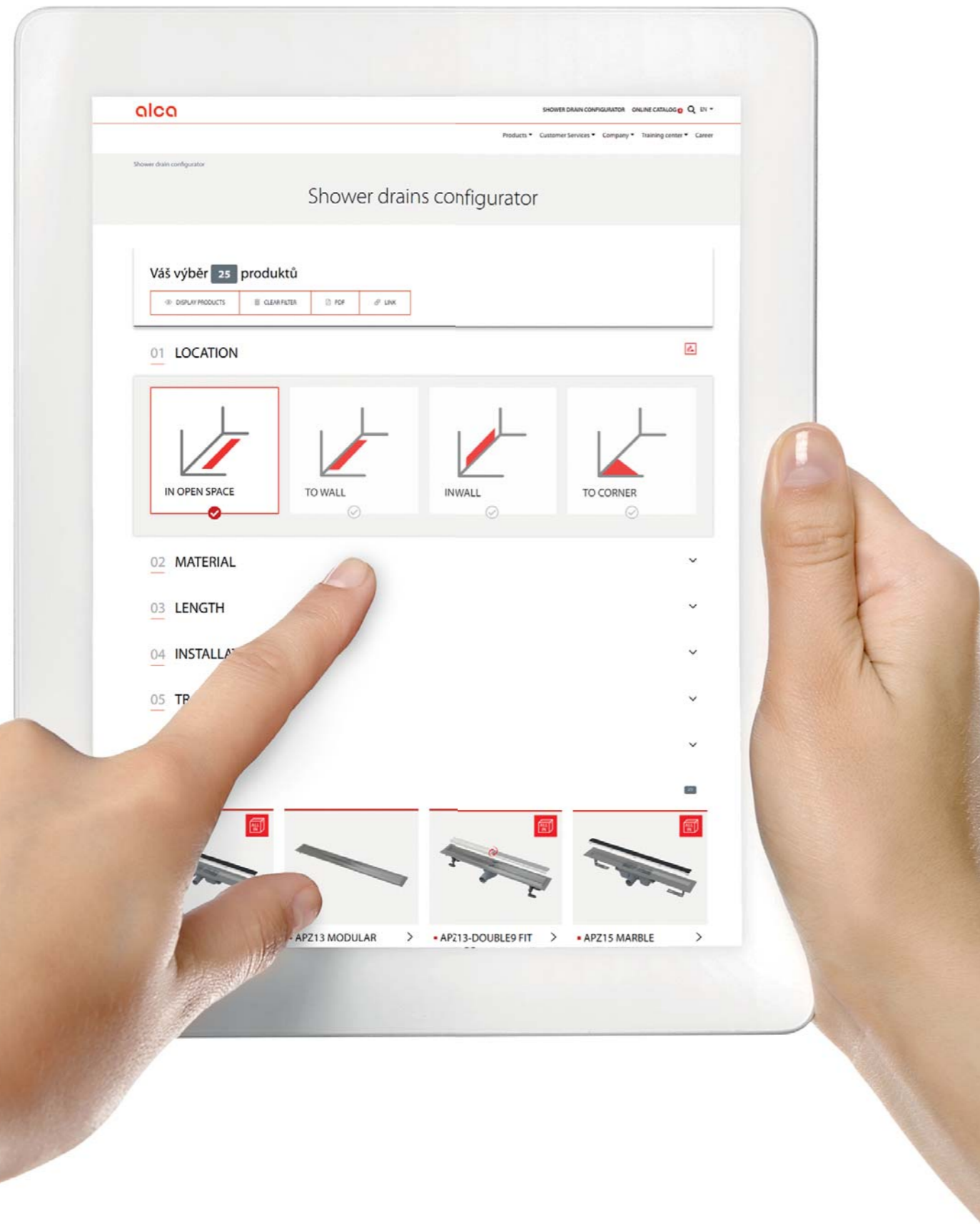
Table of variants for stainless steel strips for sloped floor

Code	Flange height	Length (mm)	Type	Version
APZ 905M/1000	12	1000	double-sided	matt
APZ 905M/1200	12	1200	double-sided	matt
APZ 906M/1000	14	1000	double-sided	matt
APZ 906M/1200	14	1200	double-sided	matt



Shower drain configurator

We have launched a shower drain configurator on our website, which will significantly facilitate orientation in a wide portfolio of ALCA shower drains. You are able to quickly find a shower drain suitable for your bathroom by selecting the items in the configurator according to your preferences.





Tailor made stainless steel products

Point drains	106
Box drains	107
Slotted drains	112
Drainage channels	114
Swimming pool grates	118

Industrial point drains

150×150 mm, DN75

APR3-2110
Industrial point drain 150×150, stainless steel AISI 304



Material stainless steel 1,5 mm

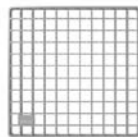
APR3-1110
Industrial point drain 150×150, stainless steel AISI 304



Material stainless steel 1,5 mm

APR3-1120
Industrial point drain 150×150, stainless steel AISI 316L

APR-R21-150-150
Cover grid for point drain 150×150, stainless steel AISI 304



Material stainless steel 2 mm

APR-R22-150-150
Cover grid for point drain 150×150, stainless steel AISI 316L

APR-R31-150-150
Cover grid for point drain 150×150, stainless steel AISI 304



Material stainless steel 3 mm

200×200 mm, DN110

APR4-2111
Industrial point drain 200×200, stainless steel AISI 304



Material stainless steel 1,5 mm

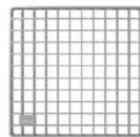
APR4-1111
Industrial point drain 200×200, stainless steel AISI 304



Material stainless steel 1,5 mm

APR4-1121
Industrial point drain 200×200, stainless steel AISI 316L

APR-R21-200-200
Cover grid for point drain 200×200, stainless steel AISI 304



Material stainless steel 2 mm

APR-R22-200-200
Cover grid for point drain 200×200, stainless steel AISI 316L

APR-R31-200-200
Cover grid for point drain 200×200, stainless steel AISI 304



Material stainless steel 3 mm

300×300 mm, DN160/110

APR5-2111
Industrial point drain 300×300, stainless steel AISI 304



DN160

Material stainless steel 1,5 mm

APR5-1111
Industrial point drain 300×300, stainless steel AISI 304

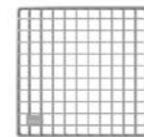


DN110

Material stainless steel 1,5 mm

APR5-1121
Industrial point drain 300×300, stainless steel AISI 316L

APR-R21-300-300
Cover grid for point drain 300×300, stainless steel AISI 304



Material stainless steel 2 mm

APR-R22-300-300
Cover grid for point drain 300×300, stainless steel AISI 316L

APR-R31-300-300
Cover grid for point drain 300×300, stainless steel AISI 304



Material stainless steel 3 mm

Industrial box point drains – end piece or mid-continuous channel piece

Width 135 mm, DN110

APR6-2311-135
Industrial point drain with box inlet 250×250-135, stainless steel AISI 304



L – 375 mm

Material stainless steel 1,5 mm

APR6-1311-135-L
APR6-1311-135-P
Industrial point drain with box inlet 250×250-135, stainless steel AISI 304

APR6-1321-135-L
APR6-1321-135-P
Industrial point drain with box inlet 250×250-135, stainless steel AISI 316L

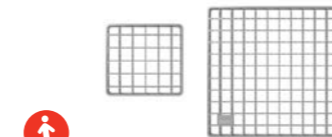


L – 375 mm

Material stainless steel 1,5 mm

APR-R21-250-250-1
Cover grid for point drain with box inlet APR6, stainless steel AISI 304

APR-R22-250-250-1
Cover grid for point drain with box inlet APR6, stainless steel AISI 316L



Material stainless steel 2 mm

APR-R31-250-250-1
Cover grid for point drain with box inlet APR6, stainless steel AISI 304

APR-R32-250-250-1
Cover grid for point drain with box inlet APR6, stainless steel AISI 316L



Material stainless steel 3 mm

Width 135 mm, DN110

APR6-2211-135
Industrial point drain with box inlets 250×250-135, stainless steel AISI 304



L – 500 mm

Material stainless steel 1,5 mm

APR6-1211-135
Industrial point drain with box inlets 250×250-135, stainless steel AISI 304

APR6-1221-135
Industrial point drain with box inlets 250×250-135, stainless steel AISI 316L

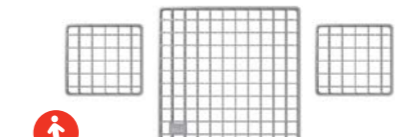


L – 500 mm

Material stainless steel 1,5 mm

APR-R21-130-135-2
Cover grid for point drain with box inlets APR6, stainless steel AISI 304

APR-R22-130-135-2
Cover grid for point drain with box inlets APR6, stainless steel AISI 316L



Material stainless steel 2 mm

APR-R31-130-135-2
Cover grid for point drain with box inlets APR6, stainless steel AISI 304

APR-R32-130-135-2
Cover grid for point drain with box inlets APR6, stainless steel AISI 316L



Material stainless steel 3 mm

Width 210 mm, DN110

APR6-2211-210
Industrial point drain with box inlets 250×250-210, stainless steel AISI 304



L – 1000 mm

Material stainless steel 1,5 mm

APR6-1211-210
Industrial point drain with box inlets 250×250-210, stainless steel AISI 304

APR6-1221-210
Industrial point drain with box inlets 250×250-210, stainless steel AISI 316L



L – 1000 mm

Material stainless steel 1,5 mm

APR-R21-1000-210
Cover grid for box drain 1 m, stainless steel AISI 304

APR-R22-1000-210
Cover grating for box drain 1 m, stainless steel AISI 316L



Material stainless steel 2 mm

APR-R31-1000-210
Cover grid for box drain 1 m, stainless steel AISI 304

APR-R32-1000-210
Cover grid for box drain 1 m, stainless steel AISI 316L



Material stainless steel 3 mm

DN110 – nominal dimension related to the outer diameter (outer diameter of the pipe is 110 mm)

DN110 – nominal dimension related to the outer diameter (outer diameter of the pipe is 110 mm)

Industrial box drains 1 m

Width 135 mm

APR6-0211-135
Industrial box drain 1 m, stainless steel AISI 304

APR6-0221-135
Industrial box drain 1 m, stainless steel AISI 316L



Material stainless steel 1,5 mm

APR-R21-1000-135
Cover grid for box drain 1 m, stainless steel AISI 304

APR-R22-1000-135
Cover grid for box drain 1 m, stainless steel AISI 316L



Material stainless steel 2 mm

APR-R31-1000-135
Cover grid for box drain 1 m, stainless steel AISI 304

APR-R32-1000-135
Cover grid for box drain 1 m, stainless steel AISI 316L



Material stainless steel 3 mm

Width 210 mm

APR6-0211-210
Industrial box drain 1 m, stainless steel AISI 304

APR6-0221-210
Industrial box drain 1 m, stainless steel AISI 316L



Material stainless steel 1,5 mm

APR-R21-1000-210
Cover grid for box drain 1 m, stainless steel AISI 304

APR-R22-1000-210
Cover grid for box drain 1 m, stainless steel AISI 316L



Material stainless steel 2 mm

APR-R31-1000-210
Cover grid for box drain 1 m, stainless steel AISI 304

APR-R32-1000-210
Cover grid for box drain 1 m, stainless steel AISI 316L



Material stainless steel 3 mm

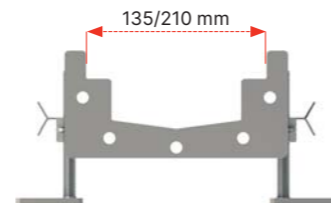
Sloped

TAILOR MADE PRODUCTS

APR6-ATYP-S
Industrial sloped box drain 1 m, stainless steel AISI 304 / AISI 316L



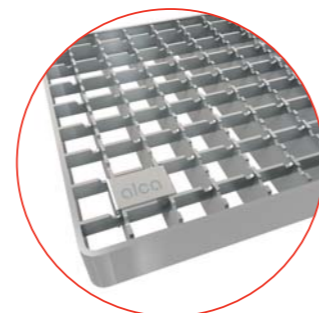
Material stainless steel 1,5 mm



Industrial drains with a slope can be configured to a maximum length of 12 meters in a single line as part of the tailor made production.

Delivery times are based on individual quotes.

Mesh cover grating



Industrial corner box drains 1x1 m

Width 135 mm

APR6-0211-135R
Industrial corner box drain 1 m, stainless steel AISI 304

APR6-0221-135R
Industrial corner box drain 1 m, stainless steel AISI 316L



Material stainless steel 1,5 mm

APR-R21-1000-135
Cover grid for box drain 1 m, stainless steel AISI 304

APR-R21-865-135
Cover grid for corner box drain, stainless steel AISI 304

APR-R22-1000-135
Cover grid for box drain 1 m, stainless steel AISI 316L

APR-R22-865-135
Cover grid for corner box drain, stainless steel AISI 316L



Material stainless steel 2 mm

APR-R31-1000-135
Cover grid for box drain 1 m, stainless steel AISI 304

APR-R31-865-135
Cover grid for corner box drain, stainless steel AISI 304

APR-R32-1000-135
Cover grid for box drain 1 m, stainless steel AISI 316L

APR-R32-865-135
Cover grid for corner box drain, stainless steel AISI 316L



Material stainless steel 3 mm

Width 210 mm

APR6-0211-210R
Industrial corner box drain, 1 m, stainless steel AISI 304

APR6-0221-210R
Industrial corner box drain 1 m, stainless steel AISI 316L



Material stainless steel 1,5 mm

APR-R21-1000-210
Cover grid for box drain 1 m, stainless steel AISI 304

APR-R21-790-210
Cover grid for corner box drain, stainless steel AISI 304

APR-R22-1000-210
Cover grid for box drain 1 m, stainless steel AISI 316L

APR-R22-790-210
Cover grid for corner box drain, stainless steel AISI 316L



Material stainless steel 2 mm

APR-R31-1000-210
Cover grid for box drain 1 m, stainless steel AISI 304

APR-R31-790-210
Cover grid for corner box drain, stainless steel AISI 304

APR-R32-1000-210
Cover grid for box drain 1 m, stainless steel AISI 316L

APR-R32-790-210
Cover grid for corner box drain, stainless steel AISI 316L



Material stainless steel 3 mm

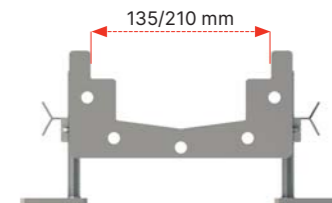
Sloped

TAILOR MADE PRODUCTS

APR6-ATYP-SR
Industrial corner sloped box drain 1 m, stainless steel AISI 304 / AISI 316L



Material stainless steel 1,5 mm



Industrial corner drains with a slope can be configured following the system of the sloped drainage as per bespoke project specification.

Delivery times are based on individual quotes.

Always use 2 length variants of the grid for the assembly of the industrial corner box drain:




APR-RXX-1000-135 + APR-RXX-865-135

APR-RXX-1000-210 + APR-RXX-790-210

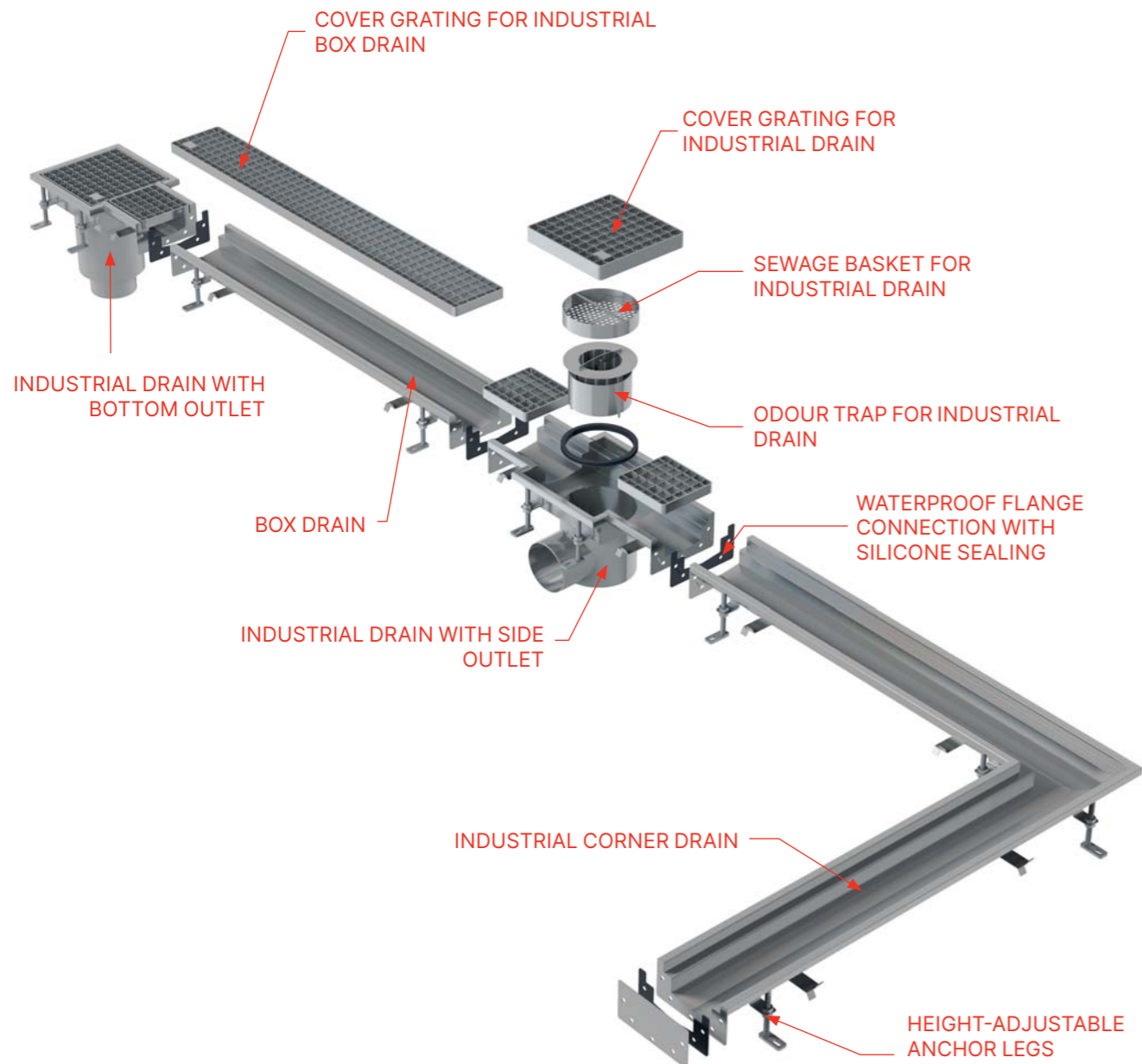
Grill cover grating



Accessories for the industrial box drains

Width 135 mm	Width 210 mm	Sloped
<p>APR6-P101-135 End cap for box drain 135, stainless steel AISI 304</p> <p>APR6-P201-135 End cap for box drain 135, stainless steel AISI 316L</p> 	<p>APR6-P101-210 End cap for box drain 210, stainless steel AISI 304</p> <p>APR6-P201-210 End cap for box drain 210, stainless steel AISI 316L</p> 	<p>TAILOR MADE PRODUCTS</p> <p>APR6-P-ATYP-S End cap for sloped box drain, stainless steel AISI 304 / AISI 316L</p> 
Material stainless steel 2 mm	Material stainless steel 2 mm	Material stainless steel 2 mm

Modular system of industrial box drainage



COVER GRATING FOR INDUSTRIAL BOX DRAIN

COVER GRATING FOR INDUSTRIAL DRAIN

SEWAGE BASKET FOR INDUSTRIAL DRAIN

INDUSTRIAL DRAIN WITH BOTTOM OUTLET

BOX DRAIN

INDUSTRIAL DRAIN WITH SIDE OUTLET

INDUSTRIAL CORNER DRAIN

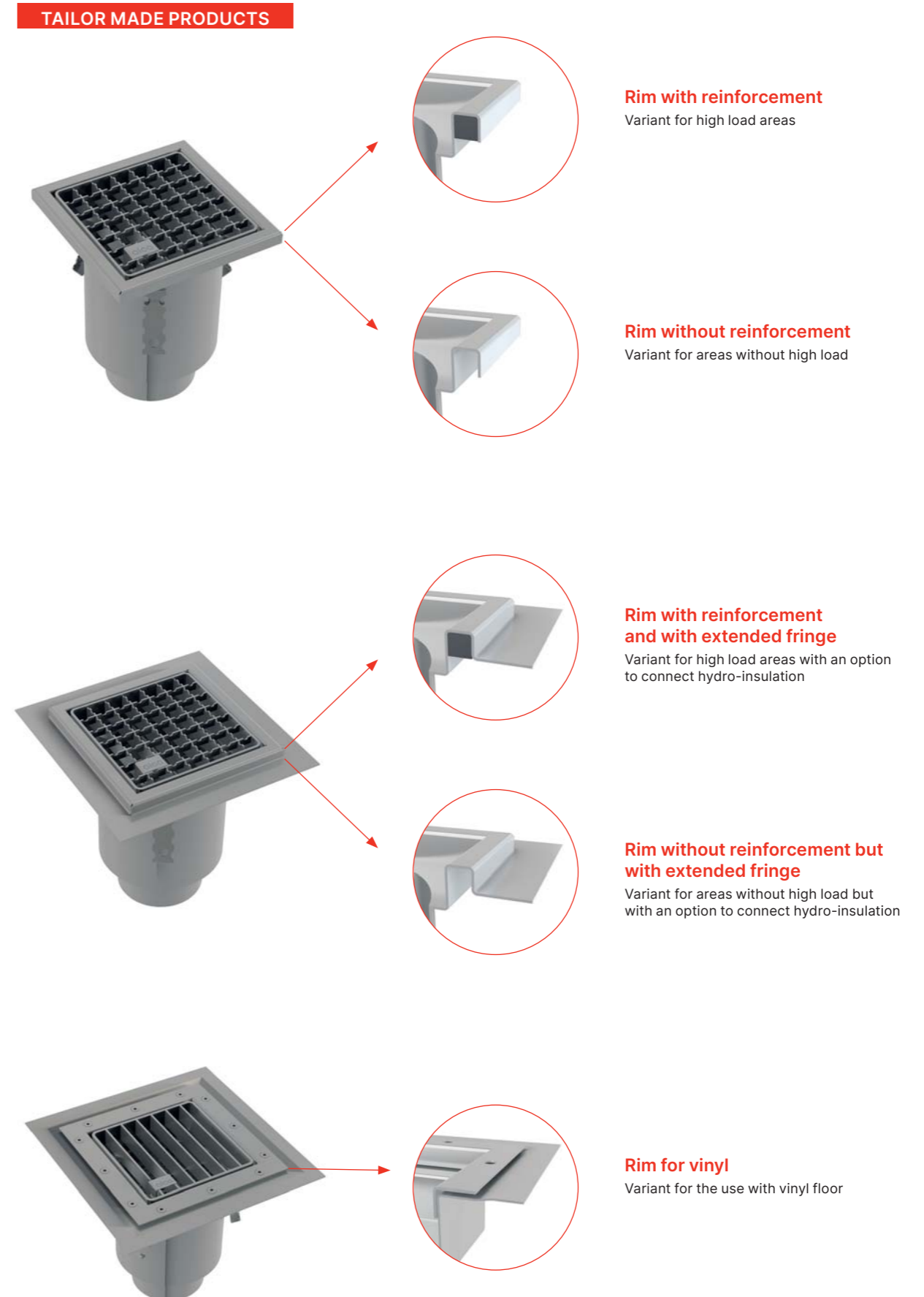
ODOUR TRAP FOR INDUSTRIAL DRAIN

WATERPROOF FLANGE CONNECTION WITH SILICONE SEALING

HEIGHT-ADJUSTABLE ANCHOR LEGS

Rim solution options for the modular industrial box drainage system and the slotted drainage system

TAILOR MADE PRODUCTS



Rim with reinforcement
Variant for high load areas




Rim without reinforcement
Variant for areas without high load


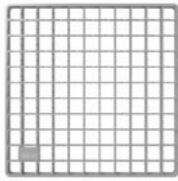

Rim with reinforcement and with extended fringe
Variant for high load areas with an option to connect hydro-insulation

Rim without reinforcement but with extended fringe
Variant for areas without high load but with an option to connect hydro-insulation




Rim for vinyl
Variant for the use with vinyl floor

Slotted point drains – end piece or mid-continuous channel piece

250×250 mm, DN110	250×250 mm, DN110	250×250 mm, DN110
<p>APR7-2311-20 Industrial point drain with slot inlet 250×250, stainless steel AISI 304</p> <p>APR7-2321-20 Industrial point drain with slot inlet 250×250, stainless steel AISI 316L</p>  <p style="text-align: center;">L – 375 mm</p> <p>Material stainless steel 1,5 mm</p>	<p>APR7-2211-20 Industrial point drain with slot inlets 250×250, stainless steel AISI 304</p> <p>APR7-2221-20 Industrial point drain with slot inlets 250×250, stainless steel AISI 316L</p>  <p style="text-align: center;">L – 500 mm</p> <p>Material stainless steel 1,5 mm</p>	<p>APR7-1211-20 Industrial point drain with slot inlets 250×250, stainless steel AISI 304</p> <p>APR7-1221-20 Industrial point drain with slot inlets 250×250, stainless steel AISI 316L</p>  <p style="text-align: center;">L – 500 mm</p> <p>Material stainless steel 1,5 mm</p>

<p>APR7-1311-20-L APR7-1311-20-P Industrial point drain with slot inlet 250×250, stainless steel AISI 304</p> <p>APR7-1321-20-L APR7-1321-20-P Industrial point drain with slot inlet 250×250, stainless steel AISI 316L</p>  <p style="text-align: center;">L – 375 mm</p> <p>Material stainless steel 1,5 mm</p>	<p>APR-R21-250-250 Cover grid for point drains APR7, stainless steel AISI 304</p> <p>APR-R22-250-250 Cover grid for point drains APR7, stainless steel AISI 316L</p>  <p style="text-align: center;">L – 375 mm</p> <p>Material stainless steel 2 mm</p>	<p>APR-R31-250-250 Cover grid for point drains APR7, stainless steel AISI 304</p> <p>APR-R32-250-250 Cover grid for point drains APR7, stainless steel AISI 316L</p>  <p style="text-align: center;">L – 500 mm</p> <p>Material stainless steel 3 mm</p>
--	--	--

Industrial slotted drains 1 m linear and industrial corner slotted drains 1×1 m

Width 20 mm	Width 20 mm	Width 20 mm
<p>APR7-0211-20R Industrial corner slotted drain 1 m, stainless steel AISI 304</p> <p>APR7-0221-20R Industrial corner slotted drain 1 m, stainless steel AISI 316L</p>  <p style="text-align: center;">L – 1000 mm</p> <p>Material stainless steel 1,5 mm</p>	<p>APR7-0211-20 Industrial slotted drain 1 m, stainless steel AISI 304</p> <p>APR7-0221-20 Industrial slotted drain 1 m, stainless steel AISI 316L</p>  <p style="text-align: center;">L – 1000 mm</p> <p>Material stainless steel 1,5 mm</p>	<p>APR7-P101-20 End cap for slotted drain, stainless steel AISI 304</p> <p>APR7-P102-20 End cap for slotted drain, stainless steel AISI 316L</p>  <p style="text-align: center;">L – 100 mm</p> <p>Material stainless steel 2 mm</p>

Industrial slotted drains 1 m linear and industrial corner slotted drains 1×1 m

Sloped, width 20 mm	Sloped, width 20 mm	Sloped, width 20 mm
TAILOR MADE PRODUCTS	TAILOR MADE PRODUCTS	TAILOR MADE PRODUCTS
<p>APR7-ATYP-20SR Industrial corner sloped slotted drain 1 m, stainless steel AISI 304 / AISI 316L</p>  <p style="text-align: center;">L – 1000 mm</p> <p>Material stainless steel 1,5 mm</p>	<p>APR7-ATYP-20S Industrial sloped slotted drain 1 m, stainless steel AISI 304 / AISI 316L</p>  <p style="text-align: center;">L – 1000 mm</p> <p>Material stainless steel 1,5 mm</p>	<p>APR7-P-ATYP-20S End cap for sloped slotted drain, stainless steel AISI 304 / AISI 316L</p>  <p style="text-align: center;">L – 100 mm</p> <p>Material stainless steel 2 mm</p>

Modular system of industrial slotted drainage

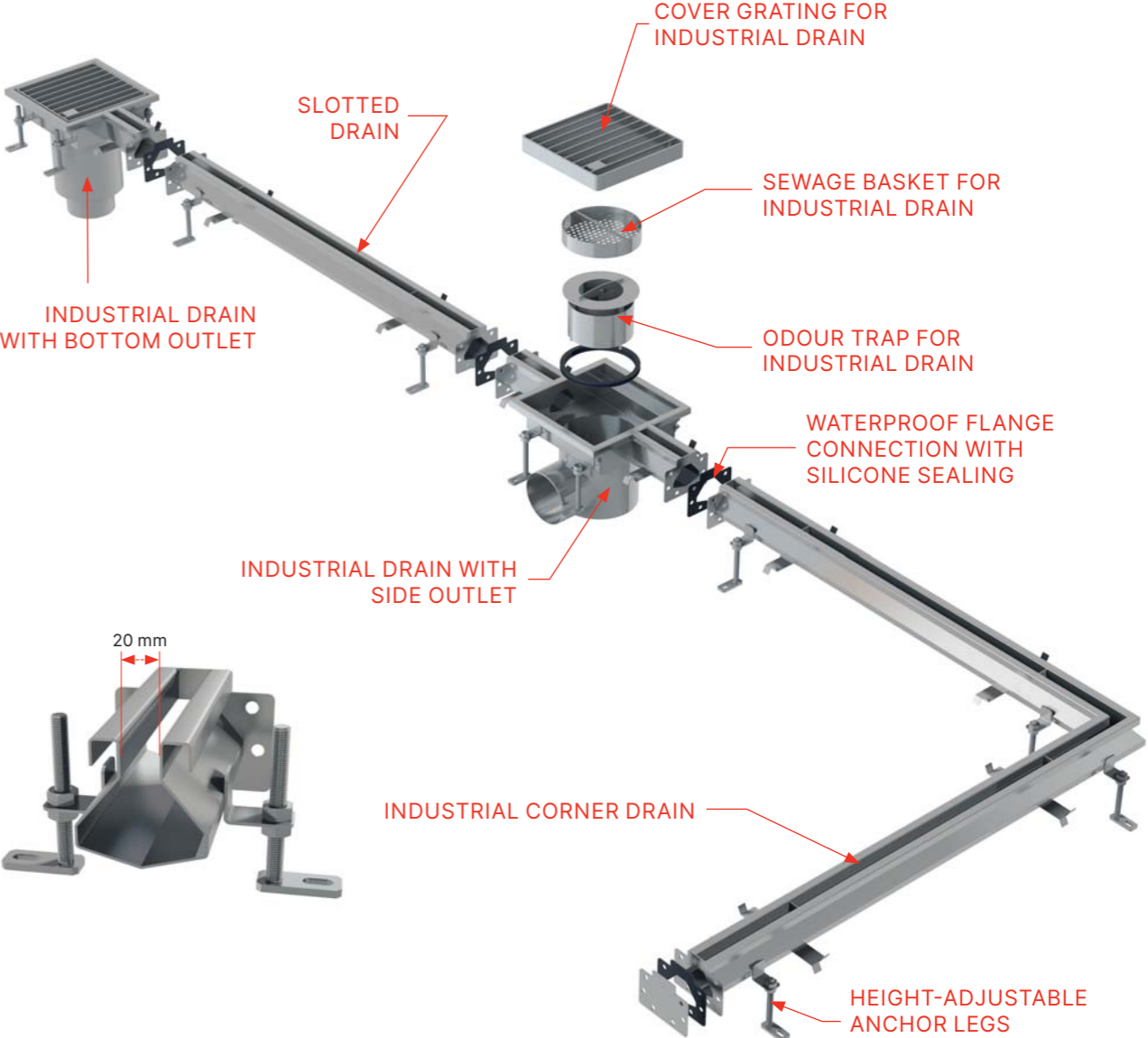


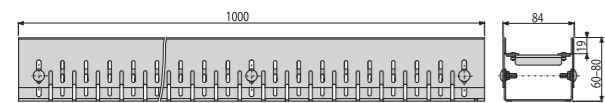
Diagram illustrating the modular system of industrial slotted drainage components:

- COVER GRATING FOR INDUSTRIAL DRAIN
- SEWAGE BASKET FOR INDUSTRIAL DRAIN
- ODOUR TRAP FOR INDUSTRIAL DRAIN
- WATERPROOF FLANGE CONNECTION WITH SILICONE SEALING
- INDUSTRIAL CORNER DRAIN
- HEIGHT-ADJUSTABLE ANCHOR LEGS
- INDUSTRIAL DRAIN WITH SIDE OUTLET
- INDUSTRIAL DRAIN WITH BOTTOM OUTLET
- SLOTTED DRAIN

DN110 – nominal dimension related to the outer diameter (outer diameter of the pipe is 110 mm)

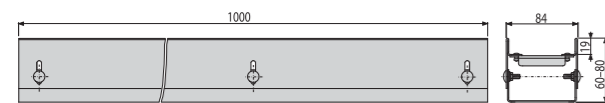
ADZ101V
Drainage channel 75 mm adjustable, galvanized steel

ADZ301V
Drainage channel 75 mm adjustable, stainless steel



Quantity (packing)	1 pc
Quantity (pallet)	100 pcs
Material	galvanized steel/stainless steel

ADZ331V
Drainage channel 75 mm adjustable, stainless steel



Quantity (packing)	1 pc
Quantity (pallet)	100 pcs
Material	stainless steel

ADZ-P003
End cap for drainage channel 75 mm, galvanized steel

ADZ-P007
Coupler for drainage channel 75 mm, galvanized steel

ADZ-P001
End cap for drainage channel 75 mm, stainless steel

ADZ-P005
Coupler for drainage channel 75 mm, stainless steel

ADZ-P011
End cap for drainage channel 75 mm, stainless steel



Quantity (packing)	-
Quantity (pallet)	-
Material	galvanized steel/ stainless steel

Quantity (packing)	-
Quantity (pallet)	-
Material	galvanized steel/stainless steel

Quantity (packing)	1
Quantity (pallet)	-
Material	stainless steel

ADZ-R101
Grid for drainage channel 75 mm, galvanized steel

ADZ-R301
Grid for drainage channel 75 mm, stainless steel



ADZ-R102
Grid for drainage channel 75 mm, galvanized steel

ADZ-R302
Grid for drainage channel 75 mm, stainless steel



ADZ-R103
Grid for drainage channel 75 mm, galvanized steel

ADZ-R303
Grid for drainage channel 75 mm, stainless steel

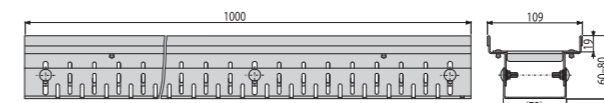


ADZ-R304
Grid for drainage channel 75 mm, stainless steel



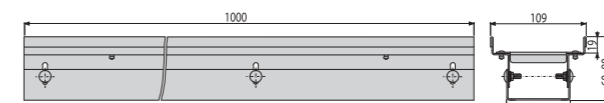
ADZ102V
Drainage channel 100 mm adjustable, galvanized steel

ADZ302V
Drainage channel 100 mm adjustable, stainless steel



Quantity (packing)	1 pc
Quantity (pallet)	100 pcs
Material	galvanized steel/stainless steel

ADZ332V
Drainage channel 100 mm adjustable, stainless steel



Quantity (packing)	1 pc
Quantity (pallet)	- pcs
Material	stainless steel

ADZ-P004
End cap for drainage channel 100 mm, galvanized steel

ADZ-P008
Coupler for drainage channel 100 mm, galvanized steel

ADZ-P002
End cap for drainage channel 100 mm, stainless steel

ADZ-P006
Coupler for drainage channel 100 mm, stainless steel

ADZ-P012
End cap for drainage channel 100 mm, stainless steel



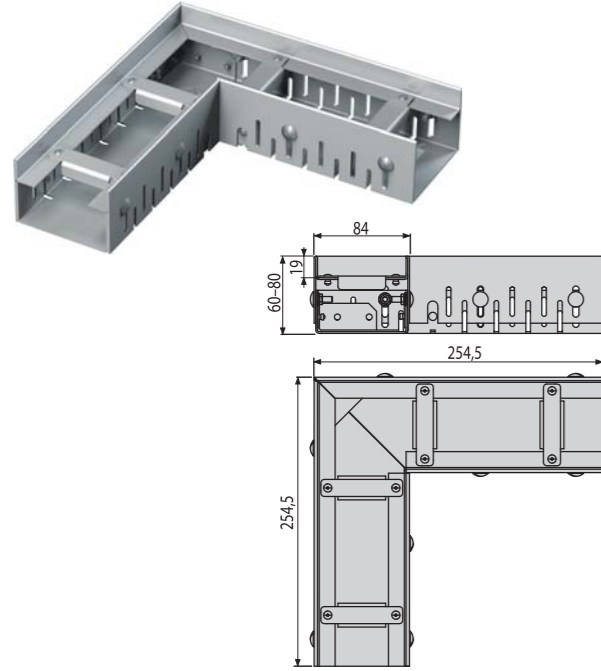
Quantity (packing)	-
Quantity (pallet)	-
Material	galvanized steel/stainless steel

Quantity (packing)	-
Quantity (pallet)	-
Material	galvanized steel/stainless steel

Quantity (packing)	11
Quantity (pallet)	-
Material	stainless steel

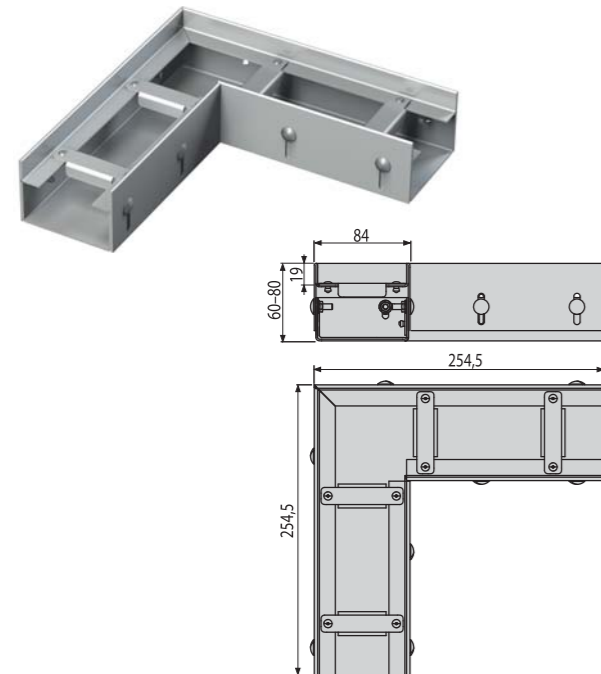
ADZ101VR
Drainage corner channel 75 mm adjustable, galvanized steel

ADZ301VR
Drainage corner channel 75 mm adjustable, stainless steel



Quantity (packing) 1 pc
Quantity (pallet) 100 pcs
Material galvanized steel/stainless steel

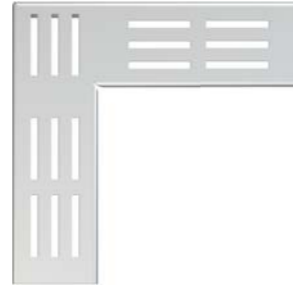
ADZ331VR
Drainage corner channel 75 mm adjustable, stainless steel



Quantity (packing) 1 pc
Quantity (pallet) 100 pcs
Material galvanized steel/stainless steel

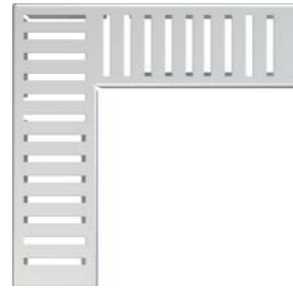
ADZ-R101R
Grid for drainage corner channel 75 mm, galvanized steel

ADZ-R301R
Grid for drainage corner channel 75 mm, stainless steel



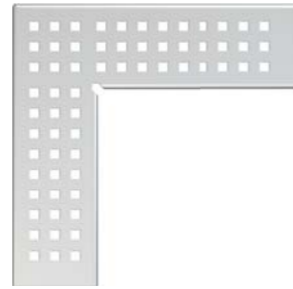
ADZ-R102R
Grid for drainage corner channel 75 mm, galvanized steel

ADZ-R302R
Grid for drainage corner channel 75 mm, stainless steel

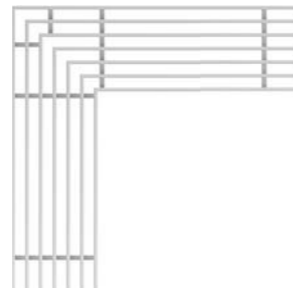


ADZ-R103R
Grid for drainage corner channel 75 mm, galvanized steel

ADZ-R303R
Grid for drainage corner channel 75 mm, stainless steel

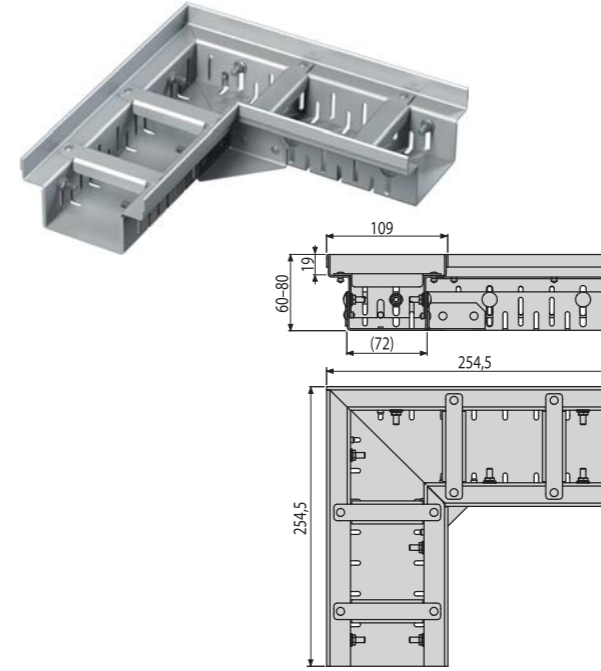


ADZ-R304R
Grid for drainage corner channel 75 mm, stainless steel



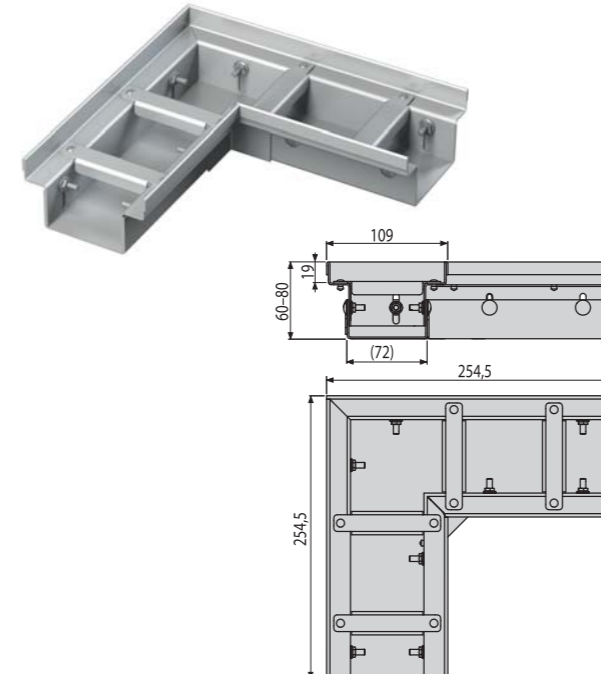
ADZ102VR
Drainage corner channel 100 mm adjustable, galvanized steel

ADZ302VR
Drainage corner channel 100 mm adjustable, stainless steel



Quantity (packing) 1 pc
Quantity (pallet) 100 pcs
Material galvanized steel/stainless steel

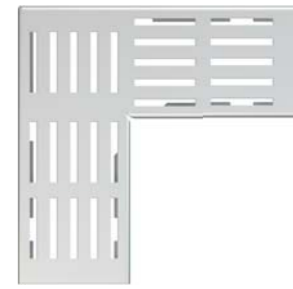
ADZ332VR
Drainage corner channel 100 mm adjustable, stainless steel



Quantity (packing) 1 pc
Quantity (pallet) 100 pcs
Material galvanized steel/stainless steel

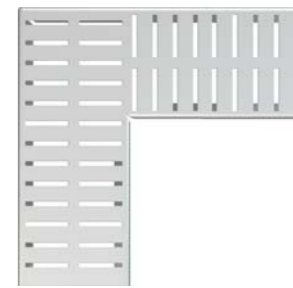
ADZ-R121R
Grid for drainage corner channel 100 mm, galvanized steel

ADZ-R321R
Grid for drainage corner channel 100 mm, stainless steel



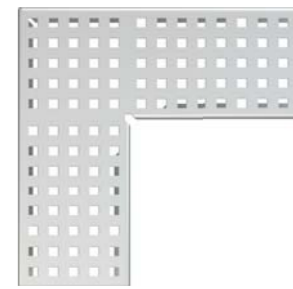
ADZ-R122R
Grid for drainage corner channel 100 mm, galvanized steel

ADZ-R322R
Grid for drainage corner channel 100 mm, stainless steel

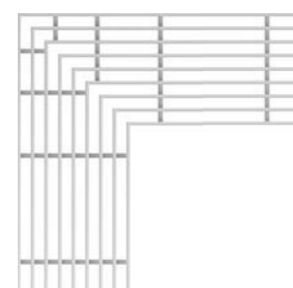


ADZ-R123R
Grid for drainage corner channel 100 mm, galvanized steel

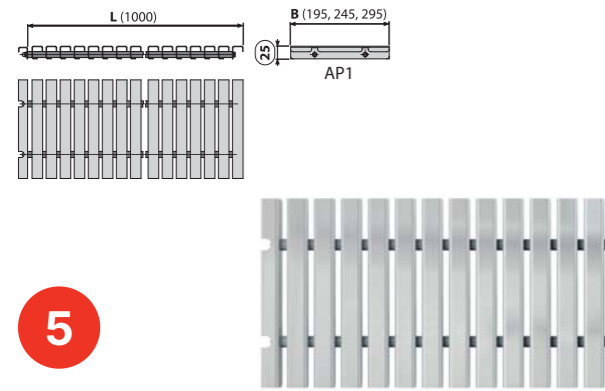
ADZ-R323R
Grid for drainage corner channel 100 mm, stainless steel



ADZ-R324R
Grid for drainage corner channel 100 mm, stainless steel

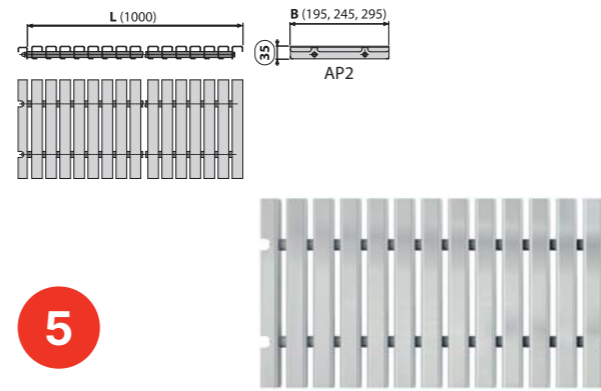


AP1
Swimming pool overflow grating without anti-slip surface



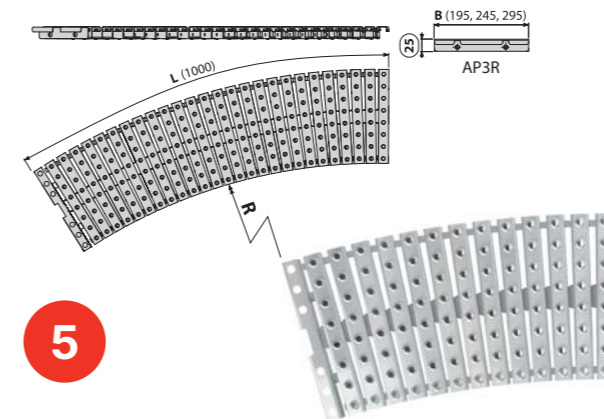
Quantity (packing)	1 pc
Quantity (pallet)	- pcs
Material	stainless steel AISI 316, DIN 1.4401

AP2
Swimming pool overflow grating without anti-slip surface



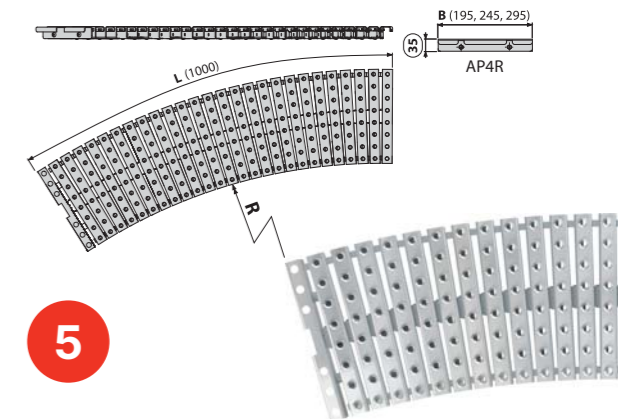
Quantity (packing)	1 pc
Quantity (pallet)	- pcs
Material	stainless steel AISI 316, DIN 1.4401

AP3R
Swimming pool overflow radius grating with anti-slip surface



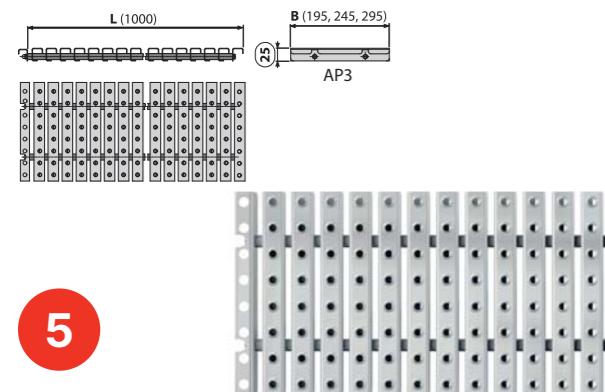
Quantity (packing)	1 pc
Quantity (pallet)	- pcs
Material	stainless steel AISI 316, DIN 1.4401

AP4R
Swimming pool overflow radius grating with anti-slip surface



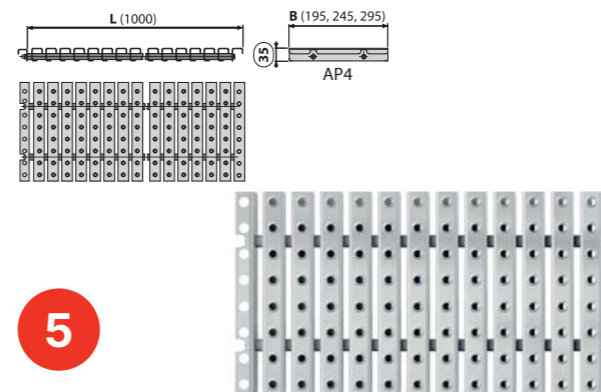
Quantity (packing)	1 pc
Quantity (pallet)	- pcs
Material	stainless steel AISI 316, DIN 1.4401

AP3
Swimming pool overflow grating with anti-slip surface



Quantity (packing)	1 pc
Quantity (pallet)	- pcs
Material	stainless steel AISI 316, DIN 1.4401

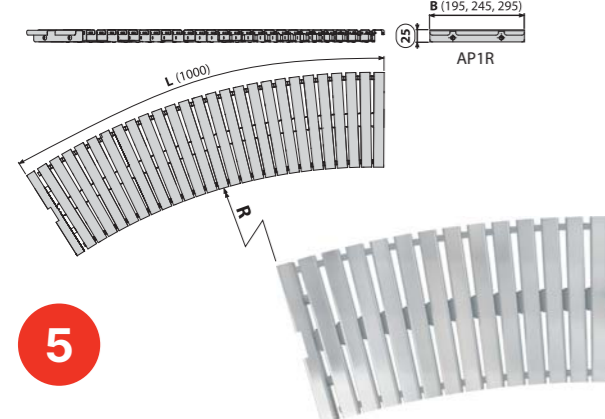
AP4
Swimming pool overflow grating with anti-slip surface



Quantity (packing)	1 pc
Quantity (pallet)	- pcs
Material	stainless steel AISI 316, DIN 1.4401

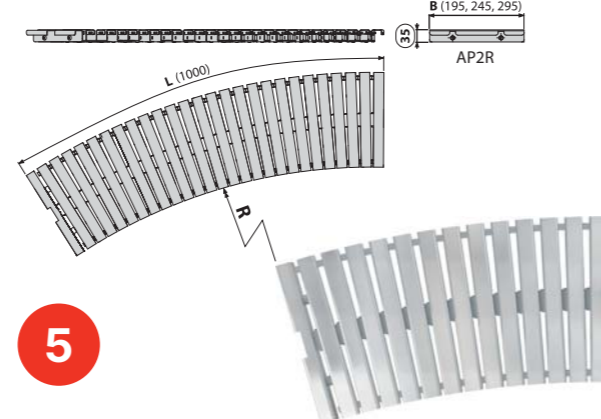
Non-standard product solution:
Non-standard sizes and other special solutions can be supplied as an individual project on order (length, shape, placement of the waste and trap, a type of stainless steel, etc.).

AP1R
Swimming pool overflow radius grating without anti-slip surface



Quantity (packing)	1 pc
Quantity (pallet)	- pcs
Material	stainless steel AISI 316, DIN 1.4401

AP2R
Swimming pool overflow radius grating without anti-slip surface



Quantity (packing)	1 pc
Quantity (pallet)	- pcs
Material	stainless steel AISI 316, DIN 1.4401

Outdoor drainage system

Outdoor drain channels	124
Outdoor drain channels LOW (load class A15, B125)	124
Outdoor drain channels HOME (load class A15)	126
Outdoor drain channels STANDARD (load class B125)	127
Outdoor drain channels PROFI (load class C250)	128
Outdoor drain channels TOP (load class D400)	129
Outdoor slotted channels (load class C250)	130
Outdoor drain channels – accessories	134
Universal rain drums	136
Universal rain drums – accessories	136



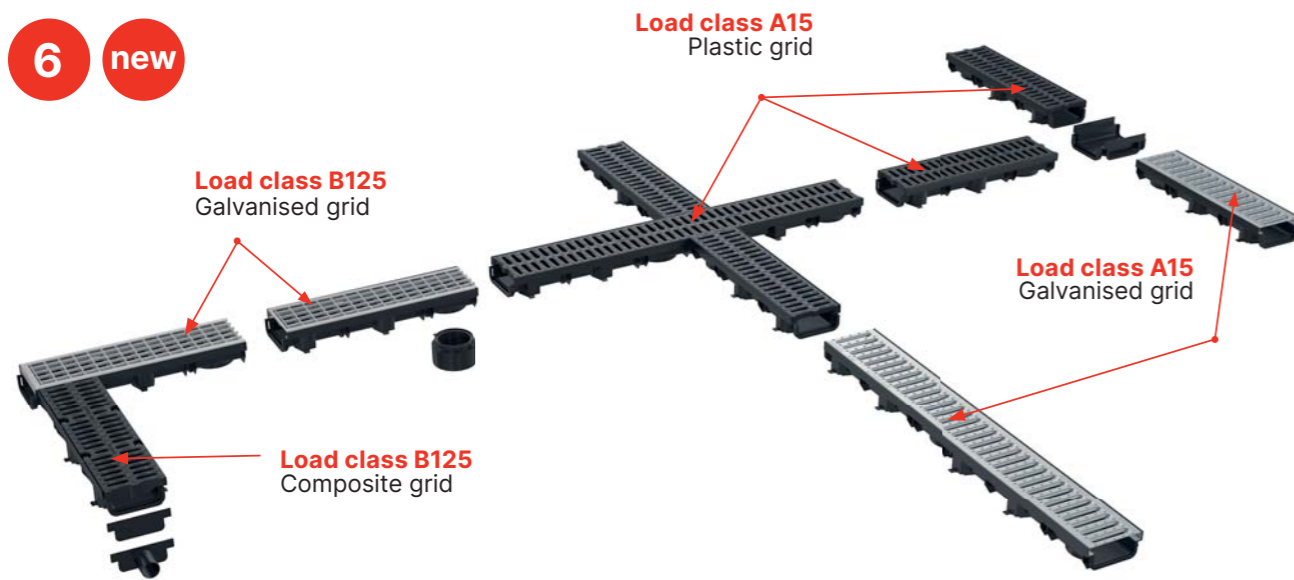
Low profile outdoor drainage system (height 60 mm)



- Modular system
- Lock-in mechanism
- Two types of cover gratings
- Hidden drain connectors



6 new



ACCESSORIES



AVZ-P018
End cap to close the drain channel with inlet DN40



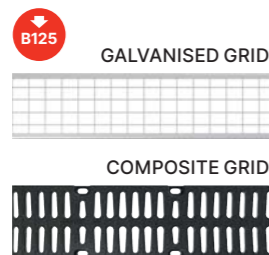
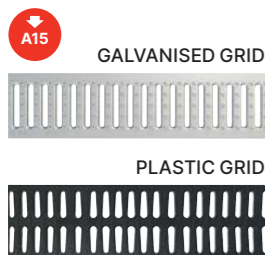
AVZ-P017
End cap to close the drain channel



AVZ-P016
Socket for connection to the waste pipe DN110



AVZ-P015
Connecting piece of outdoor drain channel AVZ112



Easy removal of knockout holes for outlet connection

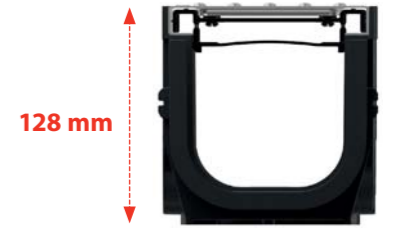


Invisible connector for the creation of "L", "T" and "X" shapes

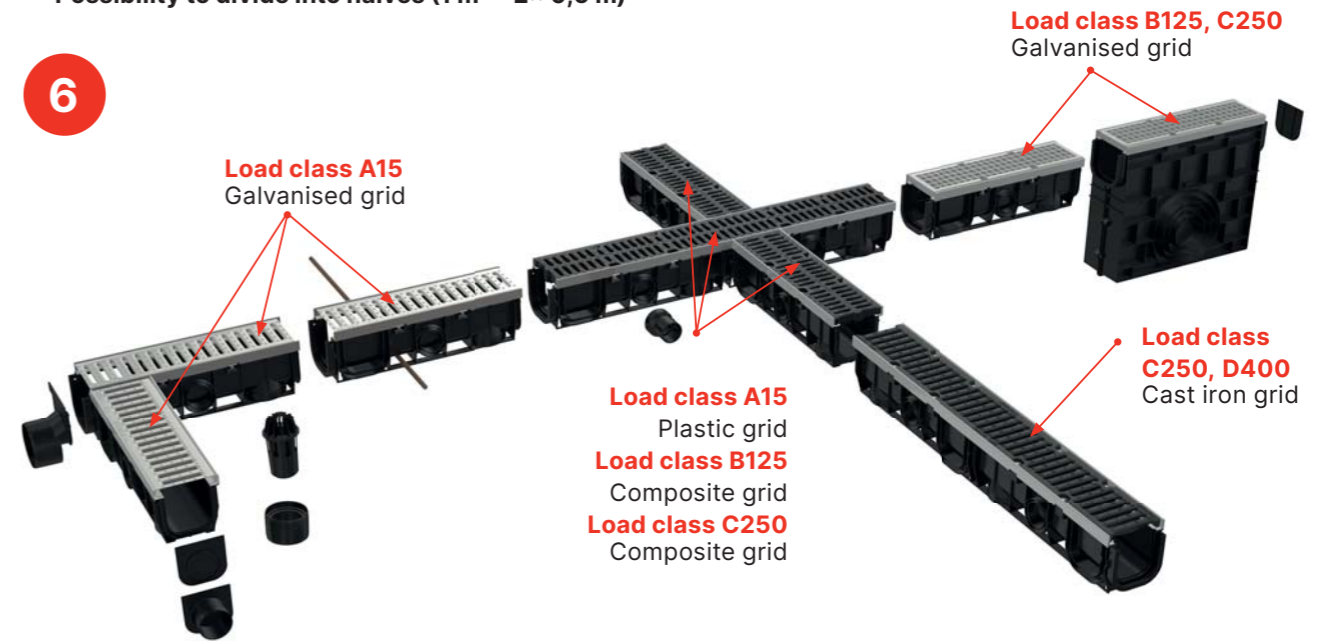
Professional outdoor drainage systems



- Modular system
- Lock-in mechanism
- Knockout holes for easy outlet connection
- Optional insertion of locking bars
- Possibility to divide into halves (1 m → 2 × 0,5 m)



6



ACCESSORIES



AVZ-P010
Side end cap with connection to the waste pipe DN110



AVZ-P004
End cap to close the drain channel with a socket for inlet DN75



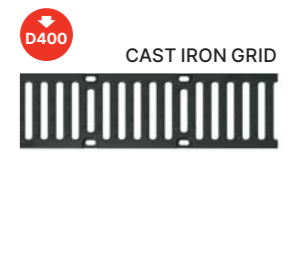
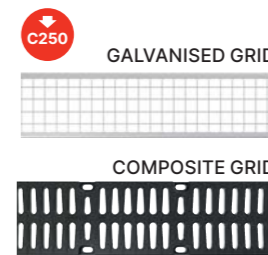
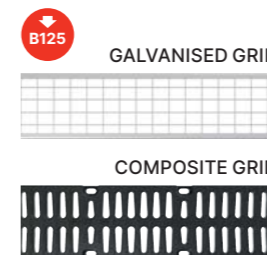
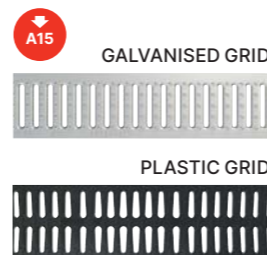
AVZ-P001
Socket for connection to the waste pipe DN110



AVZ-P003
Adapter for connection to a side inlet DN50

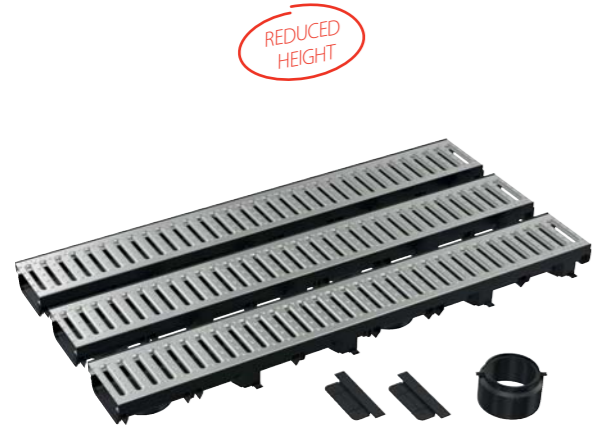


AVZ-P007
Odour trap for outdoor drains



AVZ112-G102
Garage pack 3 m (2× end cap, 1× socket DN110)

new



LOW **A15**

Quantity (packing)	1 pc
Quantity (pallet)	30 pcs
Material	polypropylene filled with talc

AVZ112-G501
Garage pack 3 m (2× end cap, 1× socket DN110)

new



LOW **A15**

Quantity (packing)	1 pc
Quantity (pallet)	30 pcs
Material	polypropylene filled with talc

AVZ112-R103
Outdoor drain channel 60 mm with plastic frame and welded galvanized grid B125

new

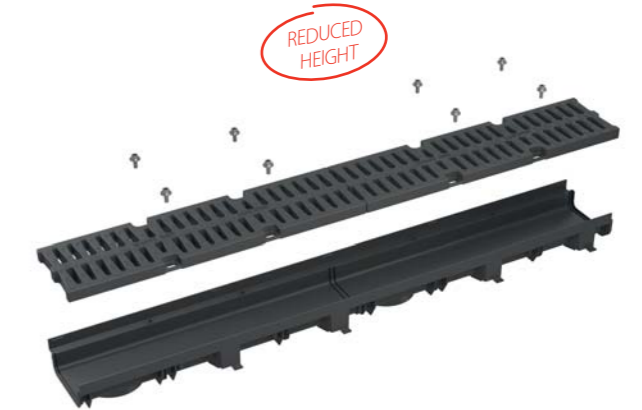


LOW **B125**

Quantity (packing)	-1 pc
Quantity (pallet)	125 pcs
Material	polypropylene filled with talc

AVZ112-R402
Outdoor drain channel 60 mm with plastic frame and composite grid B125

new



LOW **B125**

Quantity (packing)	-1 pc
Quantity (pallet)	125 pcs
Material	polypropylene filled with talc

AVZ112-R102
Outdoor drain channel 60 mm with plastic frame and galvanized "C" profile grid A15



LOW **A15**

Quantity (packing)	1 pc
Quantity (pallet)	125 pcs
Material	polypropylene filled with talc

AVZ112-R501
Outdoor drain channel 60 mm with plastic frame and plastic grid A15



LOW **A15**

Quantity (packing)	1 pc
Quantity (pallet)	125 pcs
Material	polypropylene filled with talc

AVZ102-R102
Outdoor drain channel 100 mm with plastic frame and galvanized "C" profile grid A15



HOME A15

Quantity (packing)	1 pc
Quantity (pallet)	60 pcs
Material	polypropylene filled with talc

AVZ102R-R102S
Outdoor drain box for AVZ102 with plastic frame and galvanized "C" profile grid A15



HOME A15

Quantity (packing)	1 pc
Quantity (pallet)	24 pcs
Material	polypropylene filled with talc

AVZ104-R402
Outdoor drain channel 100 mm with plastic frame and composite grid B125



STANDARD B125

Quantity (packing)	1 pc
Quantity (pallet)	60 pcs
Material	polypropylene filled with talc

AVZ104R-R402
Outdoor drain box for AVZ104 with plastic frame and composite grid B125



STANDARD B125

Quantity (packing)	1 pc
Quantity (pallet)	24 pcs
Material	polypropylene filled with talc

AVZ104-R401
Outdoor drain channel 100 mm with plastic frame and plastic grid A15



HOME A15

Quantity (packing)	1 pc
Quantity (pallet)	60 pcs
Material	polypropylene filled with talc

AVZ104R-R401
Outdoor drain box for AVZ104 with plastic frame and plastic grid A15



HOME A15

Quantity (packing)	1 pc
Quantity (pallet)	24 pcs
Material	polypropylene filled with talc

AVZ102-R103
Outdoor drain channel 100 mm with plastic frame and galvanized grid B125



STANDARD B125

Quantity (packing)	1 pc
Quantity (pallet)	60 pcs
Material	polypropylene filled with talc

AVZ102R-R103S
Outdoor drain box for AVZ102 with plastic frame and galvanized grid B125

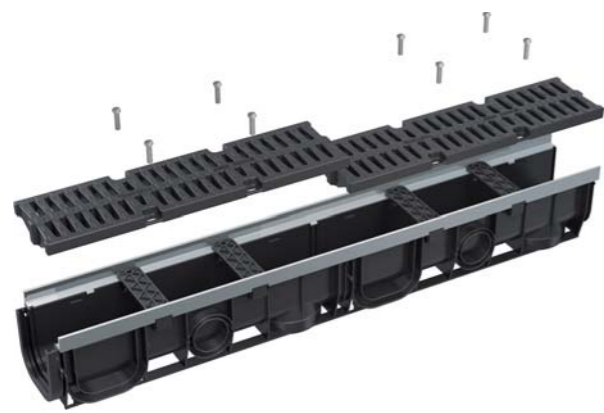


STANDARD B125

Quantity (packing)	1 pc
Quantity (pallet)	24 pcs
Material	polypropylene filled with talc

AVZ103-R403

Outdoor drain channel 100 mm with metal frame and composite grid C250



PROFI C250

Quantity (packing)	1 pc
Quantity (pallet)	60 pcs
Material	polypropylene filled with talc

AVZ103R-R403

Outdoor drain box for AVZ103 with metal frame and composite grid C250



PROFI C250

Quantity (packing)	1 pc
Quantity (pallet)	24 pcs
Material	polypropylene filled with talc

AVZ103-R104

Outdoor drain channel 100 mm with metal frame and galvanized grid C250



PROFI C250

Quantity (packing)	1 pc
Quantity (pallet)	30 pcs
Material	polypropylene filled with talc

AVZ103R-R104S

Outdoor drain box for AVZ103 with metal frame and galvanized grid C250

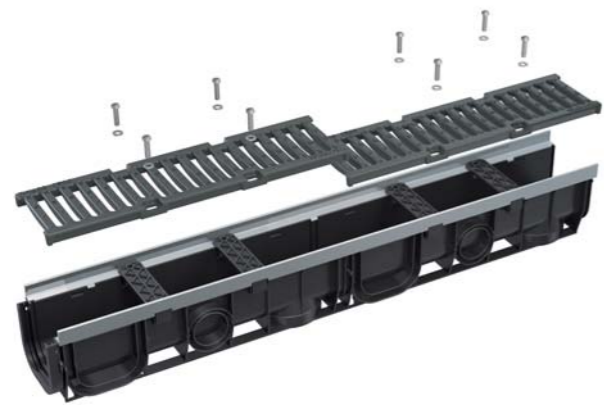


PROFI C250

Quantity (packing)	1 pc
Quantity (pallet)	24 pcs
Material	polypropylene filled with talc

AVZ103-R202

Outdoor drain channel 100 mm with metal frame and cast iron grid C250



PROFI C250

Quantity (packing)	1 pc
Quantity (pallet)	30 pcs
Material	polypropylene filled with talc

AVZ103R-R202

Outdoor drain box for AVZ103 with metal frame and cast iron grid C250



PROFI C250

Quantity (packing)	1 pc
Quantity (pallet)	24 pcs
Material	polypropylene filled with talc

AVZ103-R201

Outdoor drain channel 100 mm with metal frame and a cast iron grid D400



TOP D400

Quantity (packing)	1 pc
Quantity (pallet)	30 pcs
Material	polypropylene filled with talc

AVZ103R-R201

Outdoor drain box for AVZ103 with metal frame and cast iron grid D400



TOP D400

Quantity (packing)	1 pc
Quantity (pallet)	24 pcs
Material	polypropylene filled with talc

AVZ101-R121
Outdoor slotted channel with asymmetrical extension 100 mm, galvanized steel

AVZ101S-R121R
Outdoor slotted channel with asymmetrical access cover 100 mm, galvanized steel

AVZ101-R122
Outdoor slotted channel with asymmetrical extension 160 mm, galvanized steel

AVZ101S-R122R
Outdoor slotted channel with asymmetrical access cover 160 mm, galvanized steel

AVZ101-R321
Outdoor slotted channel with asymmetrical extension 100 mm, stainless steel

AVZ101S-R321R
Outdoor slotted channel with asymmetrical access cover 100 mm, stainless steel

AVZ101-R322
Outdoor slotted channel with asymmetrical extension 160 mm, stainless steel

AVZ101S-R322R
Outdoor slotted channel with asymmetrical access cover 160 mm, stainless steel



Quantity (packing)	1 pc
Quantity (pallet)	30 pcs
Material	polypropylene filled with talc



Quantity (packing)	1 pc
Quantity (pallet)	30 pcs
Material	polypropylene filled with talc



Quantity (packing)	1 pc
Quantity (pallet)	30 pcs
Material	polypropylene filled with talc



Quantity (packing)	1 pc
Quantity (pallet)	30 pcs
Material	polypropylene filled with talc

AVZ101R-R121R
Outdoor slotted drain box with asymmetrical access cover 100 mm, galvanized steel

AVZ101R-R122R
Outdoor slotted drain box with asymmetrical access cover 160 mm, galvanized steel

AVZ101R-R321R
Outdoor slotted drain box with asymmetrical access cover 100 mm, stainless steel

AVZ101R-R322R
Outdoor slotted drain box with asymmetrical access cover 160 mm, stainless steel



Quantity (packing)	1 pc
Quantity (pallet)	30 pcs
Material	polypropylene filled with talc



Quantity (packing)	1 pc
Quantity (pallet)	30 pcs
Material	polypropylene filled with talc

AVZ101-R123
Outdoor slotted channel with symmetrical extension 100 mm, galvanized steel

AVZ101-R323
Outdoor slotted channel with symmetrical extension 100 mm, stainless steel



AVZ101S-R123R
Outdoor slotted channel with symmetrical access cover 100 mm, galvanized steel

AVZ101S-R323R
Outdoor slotted channel with symmetrical access cover 100 mm, stainless steel



AVZ101-R124
Outdoor slotted channel with symmetrical extension 160 mm, galvanized steel

AVZ101-R324
Outdoor slotted channel with symmetrical extension 160 mm, stainless steel



AVZ101S-R124R
Outdoor slotted channel with symmetrical access cover 160 mm, galvanized steel

AVZ101S-R324R
Outdoor slotted channel with symmetrical access cover 160 mm, stainless steel



Quantity (packing)	1 pc
Quantity (pallet)	30 pcs
Material	polypropylene filled with talc



Quantity (packing)	1 pc
Quantity (pallet)	30 pcs
Material	polypropylene filled with talc



Quantity (packing)	1 pc
Quantity (pallet)	30 pcs
Material	polypropylene filled with talc



Quantity (packing)	1 pc
Quantity (pallet)	30 pcs
Material	polypropylene filled with talc

AVZ101R-R123R
Outdoor slotted drain box with symmetrical access cover 100 mm, galvanized steel

AVZ101R-R323R
Outdoor slotted drain box with symmetrical access cover 100 mm, stainless steel



AVZ101R-R124R
Outdoor slotted drain box with symmetrical access cover 160 mm, galvanized steel

AVZ101R-R324R
Outdoor slotted drain box with symmetrical access cover 160 mm, stainless steel



Quantity (packing)	1 pc
Quantity (pallet)	30 pcs
Material	polypropylene filled with talc



Quantity (packing)	1 pc
Quantity (pallet)	30 pcs
Material	polypropylene filled with talc

AVZ-P015

Connecting piece of outdoor drain channel AVZ112



Quantity (packing)	50 pcs
Quantity (pallet)	800 pcs
Material	polypropylene filled with talc

AVZ-P016

Socket for connection to the waste pipe DN110



Quantity (packing)	1 pc
Quantity (pallet)	– pcs
Material	polypropylene filled with talc

AVZ-P017

End cap to close the drain channel



Quantity (packing)	50 pcs
Quantity (pallet)	800 pcs
Material	polypropylene filled with talc

AVZ-P001

Socket for connection to the waste pipe DN110



Quantity (packing)	50 pcs
Quantity (pallet)	800 pcs
Material	polypropylene filled with talc

AVZ-P002

Drain lock AVZ102-R102



Quantity (packing)	1 pc
Quantity (pallet)	– pcs
Material	polypropylene filled with talc

AVZ-P003

Adapter for connection to a side inlet DN50



Quantity (packing)	50 pcs
Quantity (pallet)	800 pcs
Material	polypropylene filled with talc

AVZ-P018

End cap to close the drain channel with inlet DN40



Quantity (packing)	50 pcs
Quantity (pallet)	800 pcs
Material	polypropylene filled with talc

AVZ-P004

End cap to close the drain channel with a socket for inlet DN75



Quantity (packing)	50 pcs
Quantity (pallet)	800 pcs
Material	polypropylene filled with talc

AVZ-P008

Hook for removing the grid



Quantity (packing)	1 pc
Quantity (pallet)	– pcs
Material	galvanized metal

AVZ-P009

End cap to close the drain channel



Quantity (packing)	100 pcs
Quantity (pallet)	1600 pcs
Material	polypropylene filled with talc

AVZ-P010

Side end cap with connection to the waste pipe DN110



Quantity (packing)	30 pcs
Quantity (pallet)	– pcs
Material	polypropylene filled with talc

AVZ-P012

Basket for catching dirt large, stainless steel



Quantity (packing)	1 pc
Quantity (pallet)	24 pcs
Material	stainless steel

AVZ-P013

Basket for catching dirt large, galvanized steel



Quantity (packing)	1 pc
Quantity (pallet)	24 pcs
Material	galvanized metal

AGV1
Rain drum 300×155/110 mm straight outlet, black



Quantity (packing)	5 pcs
Quantity (pallet)	80 pcs
Material	polypropylene enriched with glass fiber

AGV1S
Rain drum 300×155/110 mm straight outlet, grey



Quantity (packing)	5 pcs
Quantity (pallet)	80 pcs
Material	polypropylene enriched with glass fiber

AGV2
Rain drum 300×155/125 mm straight outlet, black



Quantity (packing)	5 pcs
Quantity (pallet)	80 pcs
Material	polypropylene enriched with glass fiber

AGV911S
Universal downpipe entry cover, grey



Quantity (packing)	1 pc
Quantity (pallet)	– pcs
Material	polypropylene enriched with glass fiber

AGV941
Stainless steel basket



Quantity (packing)	70 pcs
Quantity (pallet)	1120 pcs
Material	stainless steel

AGV942
Stainless steel side grid



Quantity (packing)	100 pcs
Quantity (pallet)	2800 pcs
Material	stainless steel

AGV2S
Rain drum 300×155/125 mm straight outlet, grey



Quantity (packing)	5 pcs
Quantity (pallet)	80 pcs
Material	polypropylene enriched with glass fiber

AGV3
Rain drum 300×155/110 mm side outlet, black



Quantity (packing)	4 pcs
Quantity (pallet)	120 pcs
Material	polypropylene enriched with glass fiber

AGV3S
Rain drum 300×155/110 mm side outlet, grey



Quantity (packing)	4 pcs
Quantity (pallet)	120 pcs
Material	polypropylene enriched with glass fiber

AGV4
Rain drum 300×155/125/110 mm straight outlet, black



Quantity (packing)	4 pcs
Quantity (pallet)	60 pcs
Material	polypropylene enriched with glass fiber

AGV4S
Rain drum 300×155/125/110 mm straight outlet, grey



Quantity (packing)	4 pcs
Quantity (pallet)	60 pcs
Material	polypropylene enriched with glass fiber

AGV911
Universal downpipe entry cover, black



Quantity (packing)	1 pc
Quantity (pallet)	– pcs
Material	polypropylene enriched with glass fiber

LOCK

- The lock prevents unintentional opening of the lid, overflow of water during heavy rains
- Prevents the access of children at play
- If necessary, it is possible to remove the lock from the rain drum

BASKET FOR LEAVES AND DIRT

- Captures coarse material (mainly leaves) and prevents clogging of sewer pipes
- The narrow bottom with ribs allows a gradual fall through of rotting leaves into sewerage
- Basket can be easily removed for cleaning

MATERIAL

- PP enriched with glass fiber
- Resistant to mechanical and thermal damage
- UV stable – resistant to plastic degradation and fading
- In black or grey colours



INLET RINGS

- They are part of each package
- Diameters 80, 90, 100, 110, 125mm
- They allow the connection of all types of roof gutters and downspouts

FLAP

- Frost-free odour trap – limits the transmission of gas from canalization
- Prevents the passage of rodents from the waste
- Closes under its own weight and is secured against flooding
- Restrict splashing water from the rain drum when removing the lock case

CONSTRUCTION

- Resistant to deformation during assembly and to the load (class K3 – bearing capacity of 300kg)
- Ribbing ensures stability on the spot
- Steeper gradient of the rain drum body enables a faster and bigger water flow towards the sewer
- Flow rate 390 l/min.
- Diameter of 110mm, 125 or 125/110mm

Floor drains



Stainless steel floor drains	140
Floor drains with design grids	141
Floor drains with stainless steel grids	142
Floor drains with plastic grids	145
Floor drains – accessories	148
Waterproofing foil	150

APV110
Floor drain stainless steel extra-low 130×130 mm side outlet, without grid, wet odour trap



Flow rate	40 l/min
Material	stainless steel
Quantity (packing)	6 pcs
Quantity (pallet)	120 pcs

APV120
Floor drain stainless steel low 130×130 mm side outlet, without grid, wet odour trap



Flow rate	50 l/min
Material	stainless steel
Quantity (packing)	1 pcs
Quantity (pallet)	120 pcs

APV130
Floor drain stainless steel 130×130 mm side outlet, without grid, wet odour trap



Flow rate	58 l/min
Material	stainless steel
Quantity (packing)	1 pcs
Quantity (pallet)	120 pcs

MPV011
Grid for stainless steel floor drains 102×102 mm stainless steel



Material	stainless steel
Quantity (packing)	1 pcs
Quantity (pallet)	– pcs

MPV012
Grid for stainless steel floor drains 102×102 mm stainless steel



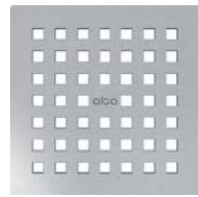
Material	stainless steel
Quantity (packing)	1 pcs
Quantity (pallet)	– pcs

MPV013
Grid for stainless steel floor drains 92×92 mm stainless steel



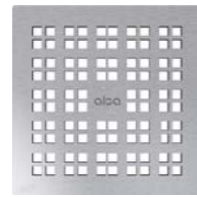
Material	stainless steel
Quantity (packing)	1 pcs
Quantity (pallet)	– pcs

MPV014
Grid for stainless steel floor drains 102×102 mm stainless steel



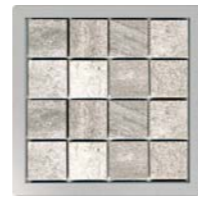
Material	stainless steel
Quantity (packing)	1 pcs
Quantity (pallet)	– pcs

MPV015
Grid for stainless steel floor drains 102×102 mm stainless steel



Material	stainless steel
Quantity (packing)	1 pcs
Quantity (pallet)	– pcs

MPV016
Grid for stainless steel floor drains 92×92 mm for embedding tiles



Material	stainless steel
Quantity (packing)	1 pcs
Quantity (pallet)	– pcs

APV101
Floor drain 105×105/50 mm side outlet, stainless steel grid, wet odour trap



Flow rate	46 l/min
Material	polypropylene
Quantity (packing)	8 pcs
Quantity (pallet)	160 pcs

APV102
Floor drain 105×105/50 mm side outlet, stainless steel grid, wet odour trap



Flow rate	46 l/min
Material	polypropylene
Quantity (packing)	8 pcs
Quantity (pallet)	160 pcs

APV103
Floor drain 105×105/50 mm side outlet, stainless steel grid, wet odour trap



Flow rate	46 l/min
Material	polypropylene
Quantity (packing)	8 pcs
Quantity (pallet)	160 pcs

APV201
Floor drain 105×105/50/75 mm straight outlet, stainless steel grid, wet odour trap



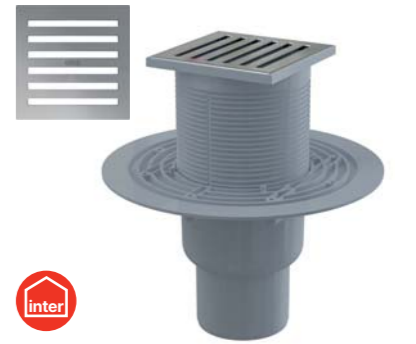
Flow rate	46 l/min
Material	polypropylene
Quantity (packing)	8 pcs
Quantity (pallet)	160 pcs

APV202
Floor drain 105×105/50/75 mm straight outlet, stainless steel grid, wet odour trap



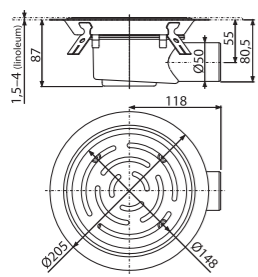
Flow rate	44 l/min
Material	polypropylene
Quantity (packing)	8 pcs
Quantity (pallet)	160 pcs

APV203
Floor drain 105×105/50/75 mm straight outlet, stainless steel grid, wet odour trap



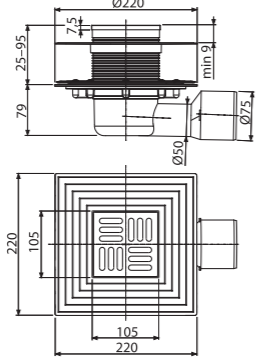
Flow rate	46 l/min
Material	polypropylene
Quantity (packing)	8 pcs
Quantity (pallet)	160 pcs

APV3513 new
 Floor drain 105×105/50 mm side outlet, stainless steel grid, stainless steel flange and collar-2nd level insulation, combined odour trap SMART



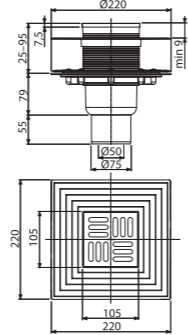
Flow rate	46 l/min
Material	stainless steel, polypropylene
Quantity (packing)	pcs
Quantity (pallet)	pcs

APV3344
 Floor drain 105×105/50/75 mm side outlet, stainless steel grid, stainless steel flange and collar-2nd level insulation, wet and dry odour trap



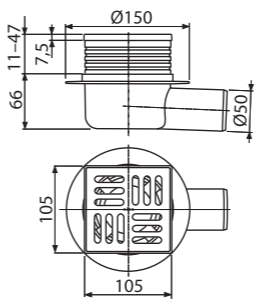
Flow rate	46/62 l/min
Material	polypropylene
Quantity (packing)	8 pcs
Quantity (pallet)	128 pcs

APV4344
 Floor drain 105×105/50/75 mm straight outlet, stainless steel grid, stainless steel flange and collar-2nd level insulation, wet and dry odour trap



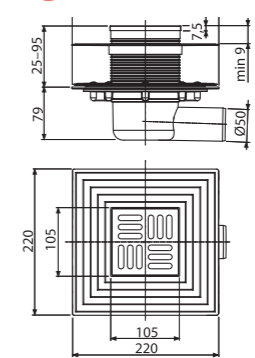
Flow rate	46/62 l/min
Material	polypropylene
Quantity (packing)	8 pcs
Quantity (pallet)	160 pcs

APV26
 Floor drain 105×105/50 mm side outlet, stainless steel grid, wet odour trap



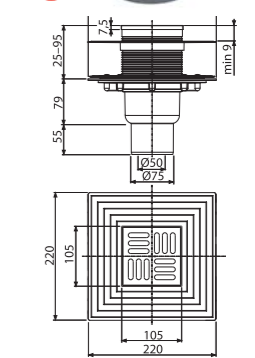
Flow rate	32 l/min
Material	ABS, polypropylene
Quantity (packing)	25 pcs
Quantity (pallet)	400 pcs

APV1324
 Floor drain 105×105/50 mm side outlet, stainless steel grid, stainless steel flange and collar-2nd level insulation, combined odour trap SMART



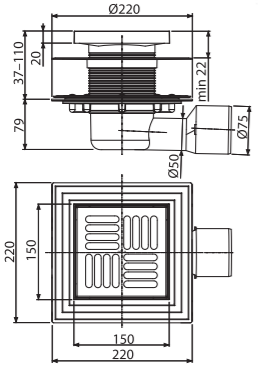
Flow rate	37 l/min
Material	polypropylene
Quantity (packing)	8 pcs
Quantity (pallet)	128 pcs

APV2324
 Floor drain 105×105/50/75 mm straight outlet, stainless steel grid, stainless steel flange and collar-2nd level insulation, combined odour trap SMART



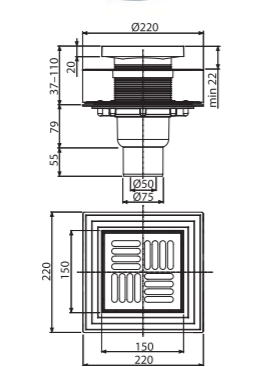
Flow rate	37 l/min
Material	polypropylene
Quantity (packing)	8 pcs
Quantity (pallet)	160 pcs

APV3444
 Floor drain 150×150/50/75 mm side outlet, stainless steel grid, stainless steel flange and collar-2nd level insulation, wet and dry odour trap



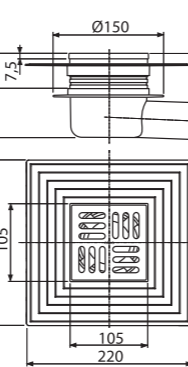
Flow rate	46/62 l/min
Material	polypropylene
Quantity (packing)	8 pcs
Quantity (pallet)	128 pcs

APV4444
 Floor drain 150×150/50/75 mm straight outlet, stainless steel grid, stainless steel flange and collar-2nd level insulation, wet and dry odour trap



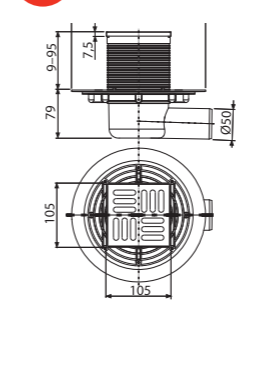
Flow rate	46/62 l/min
Material	polypropylene
Quantity (packing)	8 pcs
Quantity (pallet)	160 pcs

APV26C
 Floor drain 105×105/50 mm side outlet, stainless steel grid, collar-2nd level insulation, dry odour trap



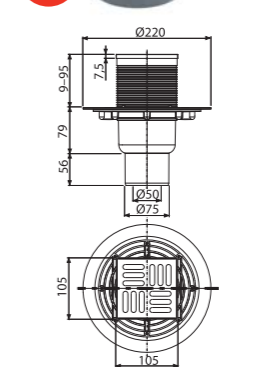
Flow rate	62 l/min
Material	ABS, polypropylene
Quantity (packing)	8 pcs
Quantity (pallet)	160 pcs

APV1321
 Floor drain 105×105/50 mm side outlet, stainless steel grid, combined odour trap SMART



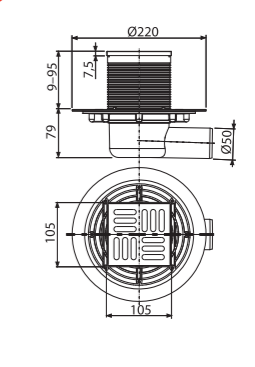
Flow rate	37 l/min
Material	polypropylene
Quantity (packing)	8 pcs
Quantity (pallet)	160 pcs

APV2321
 Floor drain 105×105/50/75 mm straight outlet, stainless steel grid, combined odour trap SMART



Flow rate	37 l/min
Material	polypropylene
Quantity (packing)	8 pcs
Quantity (pallet)	160 pcs

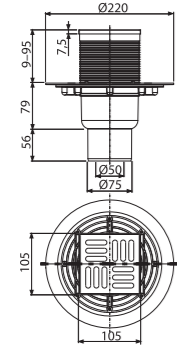
APV1311
 Floor drain 105×105/50 mm side outlet, stainless steel grid, wet odour trap



Flow rate	46 l/min
Material	polypropylene
Quantity (packing)	8 pcs
Quantity (pallet)	160 pcs

APV231I

Floor drain 105×105/50/75 mm straight outlet, stainless steel grid, wet odour trap

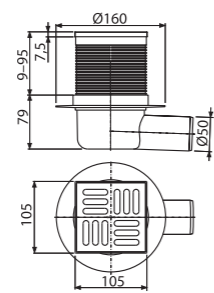


Flow rate	46 l/min
Material	polypropylene
Quantity (packing)	8 pcs
Quantity (pallet)	160 pcs

APV31BLACK

Floor drain 105×105/50 mm side outlet, stainless steel grid black-matt, combined odour trap SMART

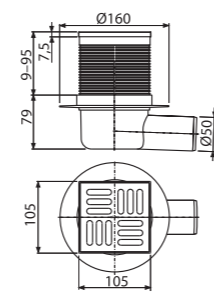
new



Flow rate	37 l/min
Material	ABS, polypropylene
Quantity (packing)	20 pcs
Quantity (pallet)	320 pcs

APV31

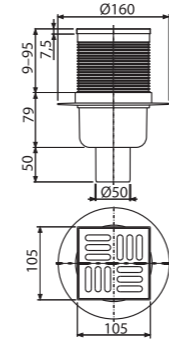
Floor drain 105×105/50 mm side outlet, stainless steel grid, combined odour trap SMART



Flow rate	37 l/min
Material	ABS, polypropylene
Quantity (packing)	20 pcs
Quantity (pallet)	320 pcs

APV2

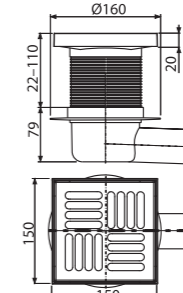
Floor drain 105×105/50 mm straight outlet, stainless steel grid, wet odour trap



Flow rate	46 l/min
Material	ABS, polypropylene
Quantity (packing)	20 pcs
Quantity (pallet)	320 pcs

APV541I

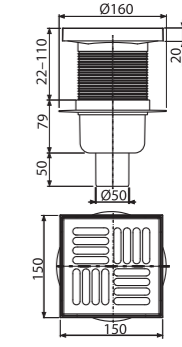
Floor drain 150×150/50 mm side outlet, stainless steel grid, wet odour trap



Flow rate	46 l/min
Material	ABS, polypropylene
Quantity (packing)	15 pcs
Quantity (pallet)	240 pcs

APV641I

Floor drain 150×150/50 mm straight outlet, stainless steel grid, wet odour trap

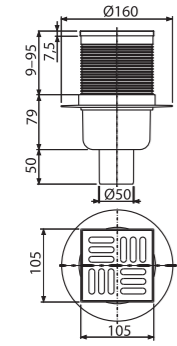


Flow rate	46 l/min
Material	ABS, polypropylene
Quantity (packing)	15 pcs
Quantity (pallet)	240 pcs

APV32BLACK

Floor drain 105×105/50 mm straight outlet, stainless steel grid black-matt, combined odour trap SMART

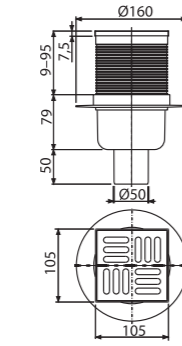
new



Flow rate	37 l/min
Material	ABS, polypropylene
Quantity (packing)	20 pcs
Quantity (pallet)	320 pcs

APV32

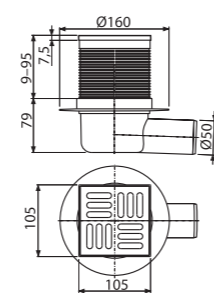
Floor drain 105×105/50 mm straight outlet, stainless steel grid, combined odour trap SMART



Flow rate	37 l/min
Material	ABS, polypropylene
Quantity (packing)	20 pcs
Quantity (pallet)	320 pcs

APV1

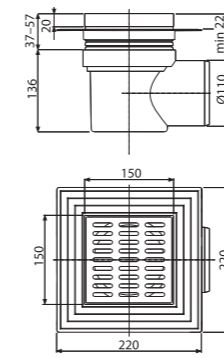
Floor drain 105×105/50 mm side outlet, stainless steel grid, wet odour trap



Flow rate	46 l/min
Material	ABS, polypropylene
Quantity (packing)	20 pcs
Quantity (pallet)	320 pcs

APV12

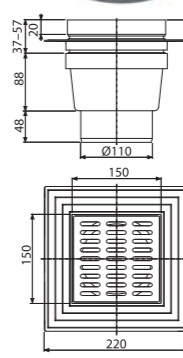
Floor drain 150×150/110 mm side outlet, stainless steel grid, collar-2nd level insulation, wet odour trap



Flow rate	89 l/min
Material	polypropylene
Quantity (packing)	8 pcs
Quantity (pallet)	160 pcs

APV13

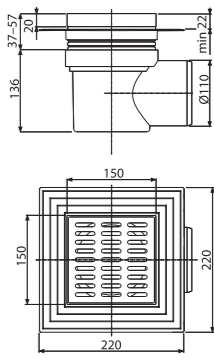
Floor drain 150×150/110 mm straight outlet, stainless steel grid, collar-2nd level insulation, wet odour trap



Flow rate	89 l/min
Material	polypropylene
Quantity (packing)	8 pcs
Quantity (pallet)	160 pcs

APV10

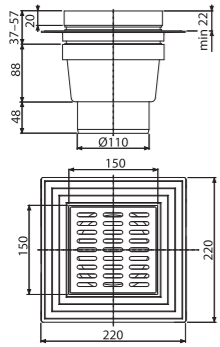
Floor drain 150×150/110 mm side outlet, grey grid, collar-2nd level insulation, wet odour trap



Flow rate	80 l/min
Material	polypropylene
Quantity (packing)	8 pcs
Quantity (pallet)	160 pcs

APV11

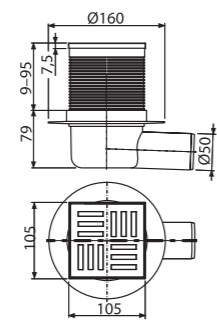
Floor drain 150×150/110 mm straight outlet, grey grid, collar-2nd level insulation, wet odour trap



Flow rate	80 l/min
Material	ABS, polypropylene
Quantity (packing)	8 pcs
Quantity (pallet)	160 pcs

APV5111

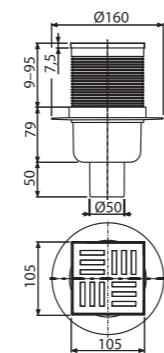
Floor drain 105×105/50 mm side outlet, grey grid, wet odour trap



Flow rate	46 l/min
Material	ABS, polypropylene
Quantity (packing)	20 pcs
Quantity (pallet)	320 pcs

APV6111

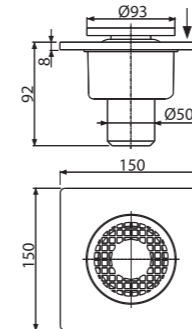
Floor drain 105×105/50 mm straight outlet, grey grid, wet odour trap



Flow rate	46 l/min
Material	ABS, polypropylene
Quantity (packing)	20 pcs
Quantity (pallet)	320 pcs

APV4

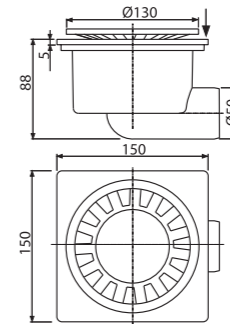
Floor drain 150×150/50 mm straight outlet, grey grid, wet odour trap



Flow rate	24 l/min
Material	polypropylene
Quantity (packing)	50 pcs
Quantity (pallet)	600 pcs

APV15

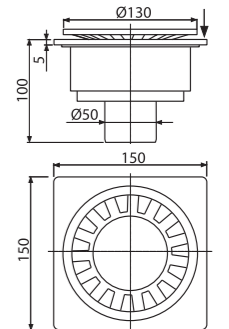
Floor drain 150×150/50 mm side outlet, white grid, wet odour trap



Flow rate	24 l/min
Material	ABS
Quantity (packing)	20 pcs
Quantity (pallet)	320 pcs

APV16

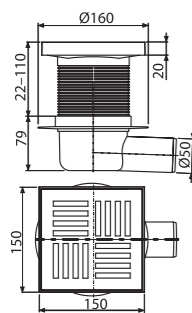
Floor drain 150×150/50 mm straight outlet, grey grid, wet odour trap



Flow rate	24 l/min
Material	ABS
Quantity (packing)	20 pcs
Quantity (pallet)	320 pcs

APV5211

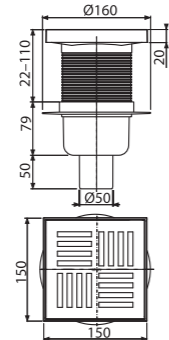
Floor drain 150×150/50 mm side outlet, grey grid, wet odour trap



Flow rate	46 l/min
Material	ABS, polypropylene
Quantity (packing)	15 pcs
Quantity (pallet)	240 pcs

APV6211

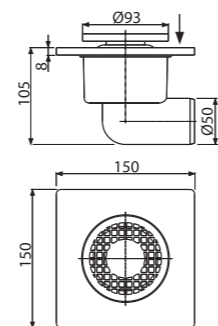
Floor drain 150×150/50 mm straight outlet, grey grid, wet odour trap



Flow rate	46 l/min
Material	ABS, polypropylene
Quantity (packing)	15 pcs
Quantity (pallet)	240 pcs

APV3

Floor drain 150×150/50 mm side outlet, grey grid, wet odour trap



Flow rate	24 l/min
Material	polypropylene
Quantity (packing)	50 pcs
Quantity (pallet)	600 pcs

APV0006
Stainless steel flange seal



Material	rubber (NBR)
Quantity (packing)	-
Quantity (pallet)	-

MPV001
Design grid 102×102 mm stainless steel



Material	stainless steel
Quantity (packing)	-
Quantity (pallet)	-

MPV001-ANTIC
Design grid 102×102 mm bronze-antic



Material	brass with bronze-antic finish
Quantity (packing)	-
Quantity (pallet)	-

MPV002
Design grid 102×102 mm stainless steel



Material	stainless steel
Quantity (packing)	-
Quantity (pallet)	-

MPV003
Design grid 102×102 mm stainless steel



Material	stainless steel
Quantity (packing)	-
Quantity (pallet)	-

MPV004
Grid 102×102 mm stainless steel



Material	stainless steel
Quantity (packing)	-
Quantity (pallet)	-

MPV004-BLACK new
Grid 102×102 mm stainless steel, black-matt



Material	stainless steel
Quantity (packing)	-
Quantity (pallet)	-

APV0010
Wet odour trap



Flow rate	46 l/min
Material	polypropylene
Quantity (packing)	50 pcs
Quantity (pallet)	1400 pcs

APV0020
Combined odour trap SMART



Flow rate		37 l/min
Material		polypropylene
Quantity (packing)		50 pcs
Quantity (pallet)		1400 pcs

APV0030
Dry odour trap



Flow rate	57–62 l/min
Material	polypropylene
Quantity (packing)	50 pcs
Quantity (pallet)	1400 pcs

APV0050
Wet odour trap for APV26, APV26C



Flow rate	32 l/min
Quantity (packing)	50 pcs
Quantity (pallet)	1400 pcs
Material	polypropylene

APV0060
Dry odour trap for APV26, APV26C



Flow rate	62 l/min
Quantity (packing)	50 pcs
Quantity (pallet)	1400 pcs
Material	polypropylene

APV0800
Drain throat extension neck DN105



Quantity (packing)	-
Quantity (pallet)	-
Material	polypropylene

P143
Combined odour trap SMART for APZ-S6



Quantity (packing)	1 pc
Quantity (pallet)	- pcs

P144
Combined odour trap SMART for APZ-S9



Quantity (packing)	1 pc
Quantity (pallet)	- pcs

P145
Combined odour trap SMART for APZ-S12



Quantity (packing)	1 pc
Quantity (pallet)	- pcs

AIZ1

Self-adhesive waterproof membrane for a floor drain 300×300 mm



Quantity (packing) 50 pcs
Quantity (pallet) 1400 pcs

AIZ3

Waterproof membrane 1300×1300 mm



Quantity (packing) 10 pcs
Quantity (pallet) 160 pcs

COMPATIBILITY OF FLOOR DRAINS WITH ODOUR TRAPS

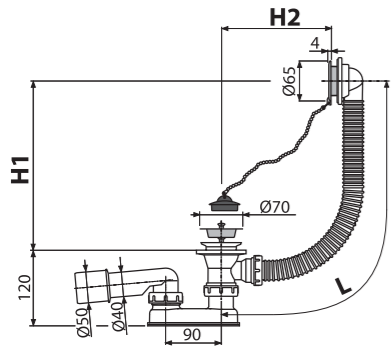
Type of odour trap	Code	Included in package	Compatibility
wet	APV0010	APV101, APV201, APV102, APV202, APV103, APV203, APV1311, APV2311, APV1, APV2, APV5411, A6411, APV5111, APV6111, APV5211, APV6211, APV3344, APV4344, APV3444, APV4444	APV1324, APV2324, APV1321, APV2321, APV31, APV31BLACK, APV32, APV32BLACK
SMART	APV0020	APV1324, APV2324, APV1321, APV2321	APV101, APV201, APV102, APV202, APV103, APV203, APV1311, APV2311, APV1, APV2, APV5411, A6411, APV5111, APV6111, APV5211, APV6211, APV3344, APV4344, APV3444, APV4444, APV1324, APV2324, APV1321, APV2321, APV31, APV32
dry	APV0030	APV1324, APV2324, APV1321, APV2321, APV31, APV32, APV3344, APV4344, APV3444, APV4444	APV101, APV201, APV102, APV202, APV103, APV203, APV1311, APV2311, APV1, APV2, APV5411, A6411, APV5111, APV6111, APV5211, APV6211, APV1324, APV2324, APV1321, APV2321
wet – reduced	APV0050	APV26	APV26C
dry – reduced	APV0060	APV26C	APV26



Wastes and traps

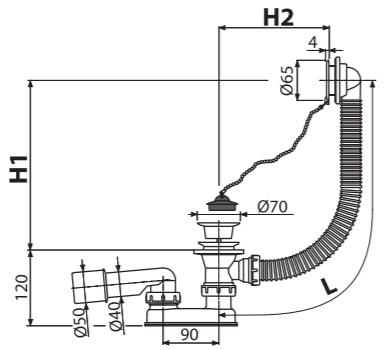
Bath wastes and traps	154
Bath waste and traps Basic	154
Bath waste and traps pop-up	154
Bath waste and traps CLICK/CLACK	157
Bath waste and traps with overflow filler	158
Bath waste and traps for whirlpool bathtubs	160
Bath waste and traps – accessories	161
Shower wastes and traps	162
Shower wastes and traps CLICK/CLACK	162
Shower wastes and traps DN50–DN60	162
Shower wastes and traps DN90	164
Reduced height shower tray wastes and traps	166
Wash-basin wastes and traps	167
Wash-basin wastes and traps with outlet	167
Wash-basin wastes and traps with coupling nut	168
Wash-basin wastes and traps – outlets	168
Metal program	169
Wash-basin wastes and traps – CLICK/CLACK outlets	169
Angle valves	172
Wash-basin wastes and traps	174
Sink wastes and traps	177
Sink wastes and traps with outlet	177
Sink wastes and traps with coupling nut	180
Sink wastes and traps – outlets	181
Wash-basin and sink wastes and traps – accessories	182
Urinal and bidet traps	185
Traps for dripping condensation	186
Washing machine traps	187
Washing machine traps – accessories	187

A501
Bath waste and trap, chrome



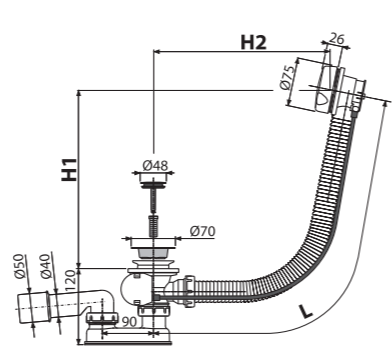
Quantity (packing)	20 pcs
Quantity (pallet)	320 pcs
Material – plug/grid	PVC/plastic

A502
Bath waste and trap, white



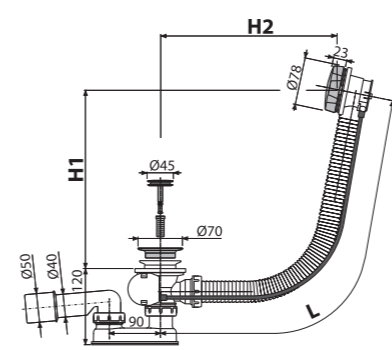
Quantity (packing)	20 pcs
Quantity (pallet)	320 pcs
Material – plug/grid	PVC/plastic

A51B
Bath pop-up waste and trap, white



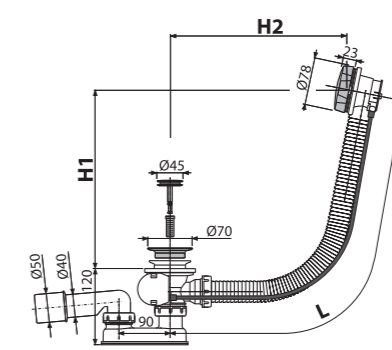
Quantity (packing)	20 pcs
Quantity (pallet)	320 pcs
Material – plug/control knob	metal/plastic

A55K
Bath pop-up waste and trap, metal



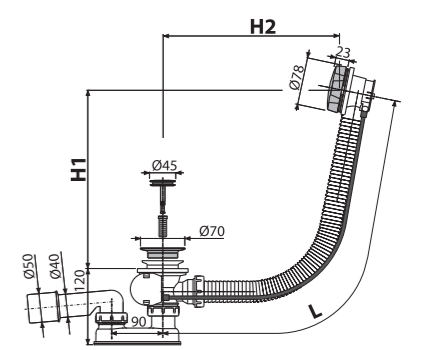
Quantity (packing)	20 pcs
Quantity (pallet)	320 pcs
Material – plug/control knob	metal/metal

A55ANTIC
Bath pop-up waste and trap, bronze-antic



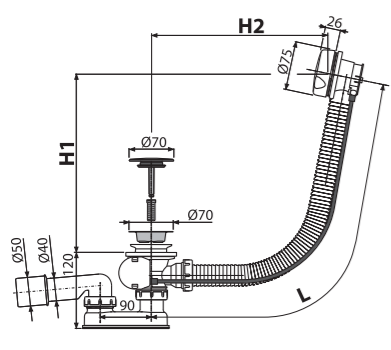
Quantity (packing)	20 pcs
Quantity (pallet)	320 pcs
Material – plug/control knob	metal/metal

A55BLACK
Bath pop-up waste and trap, black-matt



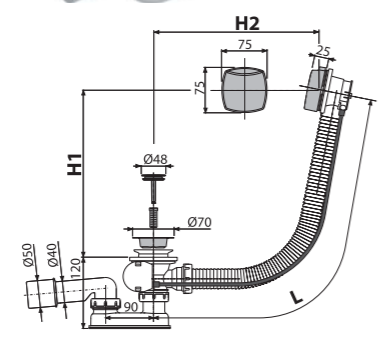
Quantity (packing)	20 pcs
Quantity (pallet)	320 pcs
Material – plug/control knob	metal/metal

A51BM
Bath pop-up waste and trap, white



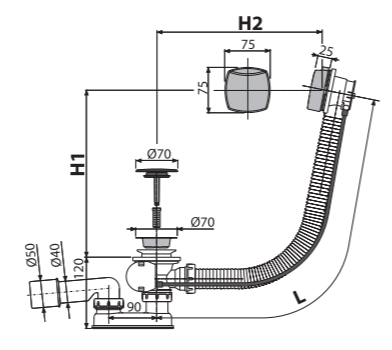
Quantity (packing)	20 pcs
Quantity (pallet)	320 pcs
Material – plug/control knob	plastic/plastic

A51CR
Bath pop-up waste and trap, chrome



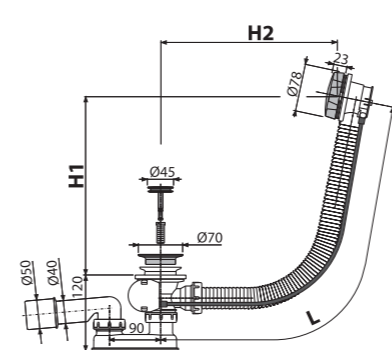
Quantity (packing)	20 pcs
Quantity (pallet)	320 pcs
Material – plug/control knob	metal/plastic

A51CRM
Bath pop-up waste and trap, chrome



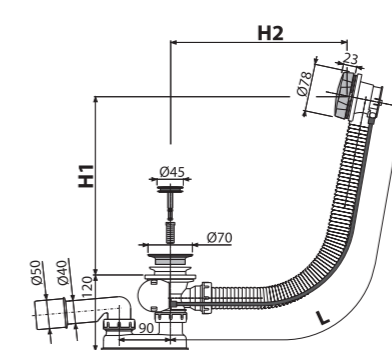
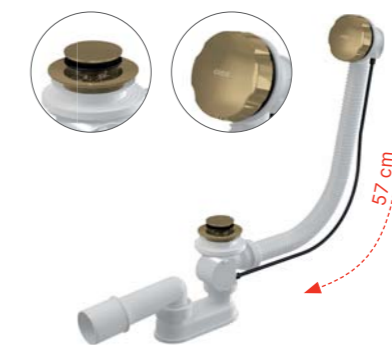
Quantity (packing)	20 pcs
Quantity (pallet)	320 pcs
Material – plug/control knob	plastic/plastic

A55K-G-P
Bath pop-up waste and trap, GOLD-polished



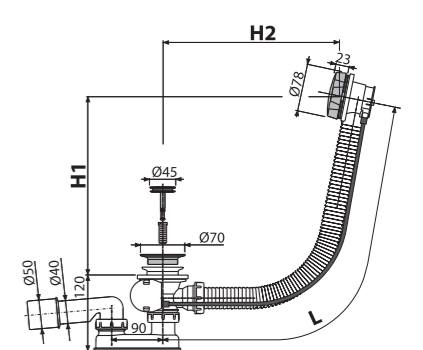
Quantity (packing)	20 pcs
Quantity (pallet)	320 pcs
Material – plug/control knob	metal/metal

A55K-G-B
Bath pop-up waste and trap, GOLD-brushed matt



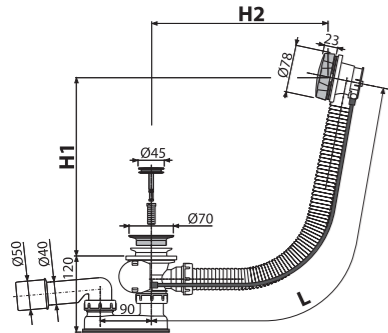
Quantity (packing)	20 pcs
Quantity (pallet)	320 pcs
Material – plug/control knob	metal/metal

A55K-RG-P
Bath pop-up waste and trap, RED GOLD-polished



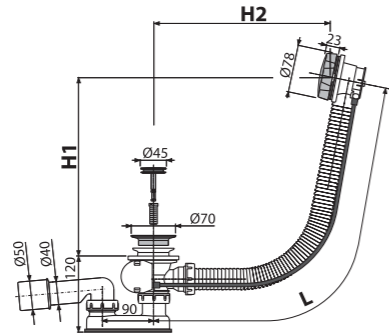
Quantity (packing)	20 pcs
Quantity (pallet)	320 pcs
Material – plug/control knob	metal/metal

A55K-RG-B
Bath pop-up waste and trap, RED GOLD-
-brushed matt



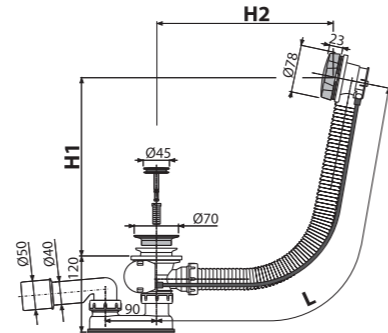
Quantity (packing)	20 pcs
Quantity (pallet)	320 pcs
Material – plug/control knob	metal/metal

A55K-N-P
Bath pop-up waste and trap, NICKEL-
-polished



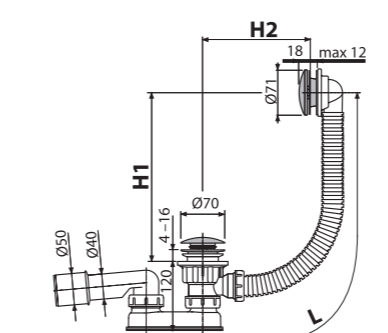
Quantity (packing)	20 pcs
Quantity (pallet)	320 pcs
Material – plug/control knob	metal/metal

A55K-N-B
Bath pop-up waste and trap, NICKEL-
-brushed matt



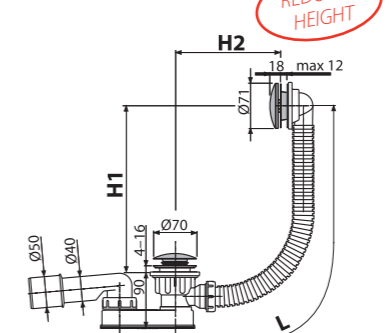
Quantity (packing)	20 pcs
Quantity (pallet)	320 pcs
Material – plug/control knob	metal/metal

A504CKM
Bath CLICK/CLACK waste and trap, metal



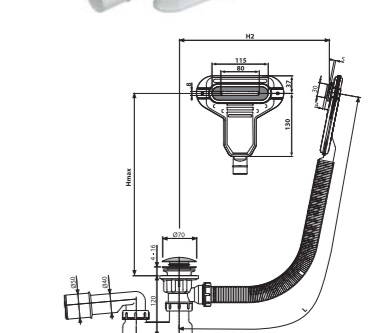
Quantity (packing)	20 pcs
Quantity (pallet)	320 pcs
Material – plug/control knob	metal/metal

A507CKM
Bath CLICK/CLACK waste and trap, metal



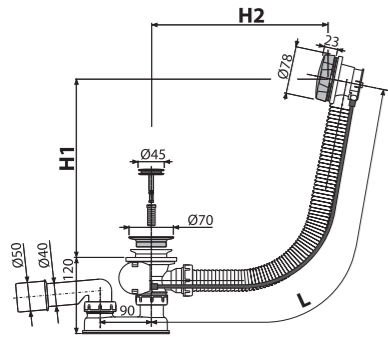
Quantity (packing)	20 pcs
Quantity (pallet)	320 pcs
Material – plug/control knob	metal/metal

A516CKM
Bath CLICK/CLACK waste and trap with
flat overflow, chrome



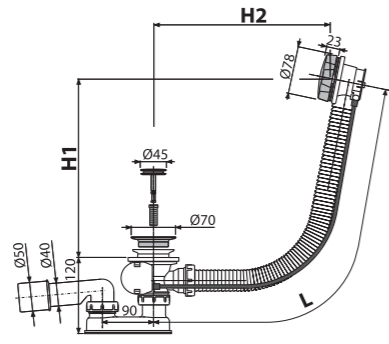
Quantity (packing)	20 pcs
Quantity (pallet)	320 pcs
Material – plug/cap	metal/plastic

A55K-GM-P
Bath pop-up waste and trap, GUN METAL-
-polished



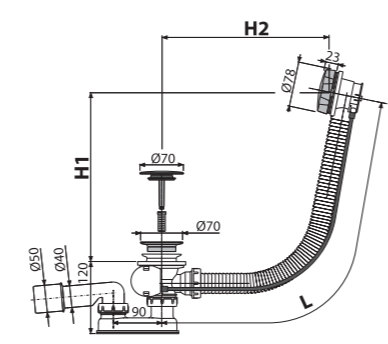
Quantity (packing)	20 pcs
Quantity (pallet)	320 pcs
Material – plug/control knob	metal/metal

A55K-GM-B
Bath pop-up waste and trap, GUN METAL-
-brushed matt



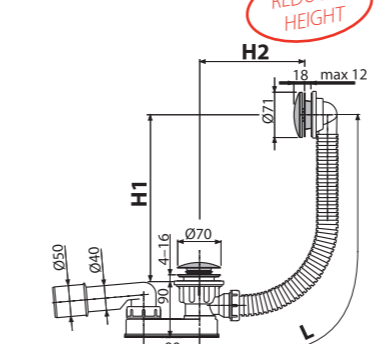
Quantity (packing)	20 pcs
Quantity (pallet)	320 pcs
Material – plug/control knob	metal/metal

A55KM
Bath pop-up waste and trap, metal



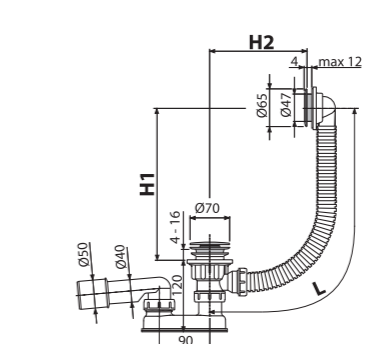
Quantity (packing)	20 pcs
Quantity (pallet)	320 pcs
Material – plug/control knob	plastic/metal

A507BLACK
Bath CLICK/CLACK waste and trap, black-
-matt



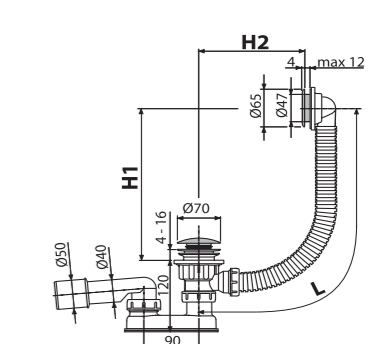
Quantity (packing)	20 pcs
Quantity (pallet)	320 pcs
Material – plug/control knob	metal/metal

A505CRM
Bath CLICK/CLACK waste and trap, chrome



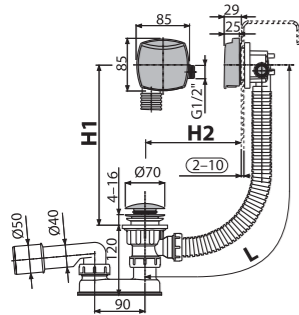
Quantity (packing)	20 pcs
Quantity (pallet)	320 pcs
Material – plug/grid	plastic/plastic

A505CKM
Bath CLICK/CLACK waste and trap, metal



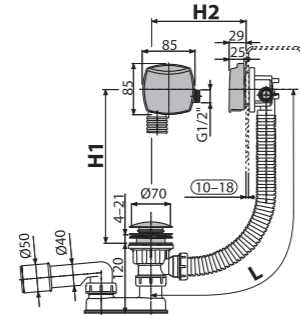
Quantity (packing)	20 pcs
Quantity (pallet)	320 pcs
Material – plug/grid	metal/plastic

A508CKM
Bath CLICK/CLACK waste and trap, overflow filler, chrome



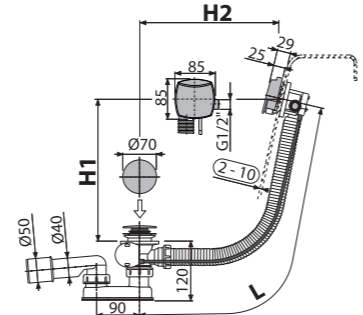
Quantity (packing)	12 pcs
Quantity (pallet)	192 pcs
Material – plug/control knob	metal/plastic

A509CKM
Bath CLICK/CLACK waste and trap, overflow filler, for thick-walled bathtubs, chrome



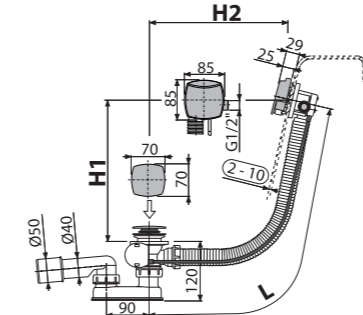
Quantity (packing)	12 pcs
Quantity (pallet)	192 pcs
Material – plug/control knob	metal/plastic

A564CRM1
Bath pop-up waste and trap, with overflow filler, chrome



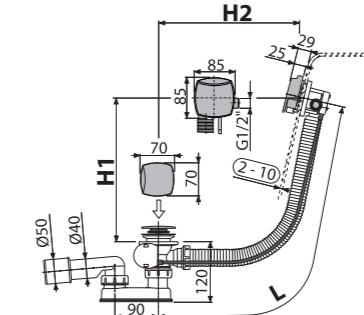
Quantity (packing)	12 pcs
Quantity (pallet)	192 pcs
Material – plug/control knob	plastic/plastic

A564CRM2
Bath pop-up waste and trap, with overflow filler, chrome



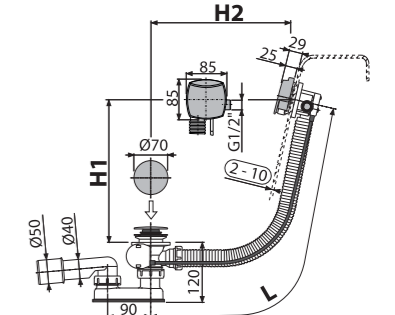
Quantity (packing)	12 pcs
Quantity (pallet)	192 pcs
Material – plug/control knob	plastic/plastic

A564CRM3
Bath pop-up waste and trap, with overflow filler, chrome



Quantity (packing)	12 pcs
Quantity (pallet)	192 pcs
Material – plug/control knob	plastic/plastic

A564KM1
Bath pop-up waste and trap, with overflow filler, metal



Quantity (packing)	12 pcs
Quantity (pallet)	192 pcs
Material – plug/control knob	metal/metal

Top cleaning

Products containing the top cleaning waste outlet (A392C, A392BLACK, A504CKM, A505CKM, A507CKM, A507BLACK, A508CKM, A509CKM, A516CKM, A465C-50, A465BLACK-50) now have a new construction design for even easier cleaning of the outlet.



MECHANISM INNOVATION FOR LONGER LIFETIME



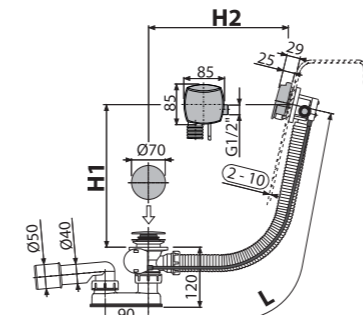
EASY CLEANING REMOVABLE WASTE OUTLET
Easy cleaning of the waste and trap from the top (from the inside bathtub area)



CLICK/CLACK

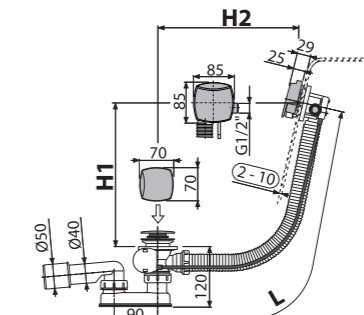


A564BLACK
Bath pop-up waste and trap, with overflow filler, black-matt



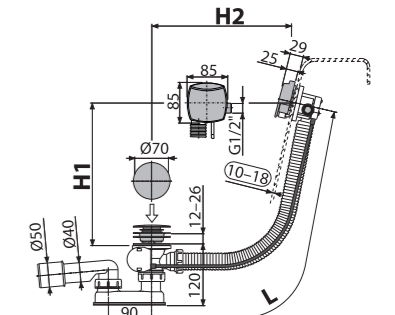
Quantity (packing)	12 pcs
Quantity (pallet)	192 pcs
Material – plug/control knob	metal/metal

A564KM3
Bath pop-up waste and trap, with overflow filler, metal



Quantity (packing)	12 pcs
Quantity (pallet)	192 pcs
Material – plug/control knob	metal/metal

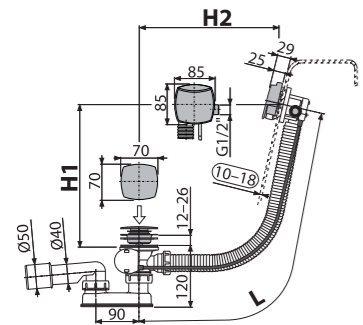
A565CRM1
Bath pop-up waste and trap, with overflow filler, for thick-walled bathtubs, chrome



Quantity (packing)	12 pcs
Quantity (pallet)	192 pcs
Material – plug/control knob	plastic/plastic

A565CRM2

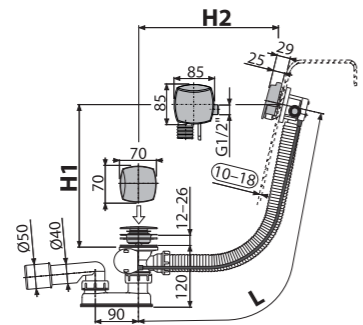
Bath pop-up waste and trap, with overflow filler, for thick-walled bathtubs, chrome



Quantity (packing)	12 pcs
Quantity (pallet)	192 pcs
Material – plug/control knob	plastic/plastic

A565CRM3

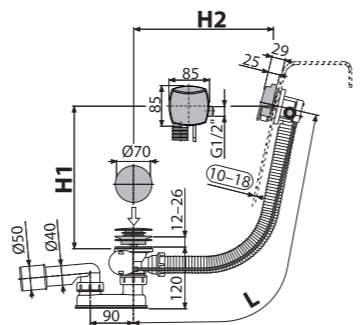
Bath pop-up waste and trap, with overflow filler, for thick-walled bathtubs, chrome



Quantity (packing)	12 pcs
Quantity (pallet)	192 pcs
Material – plug/control knob	plastic/plastic

A565KM1

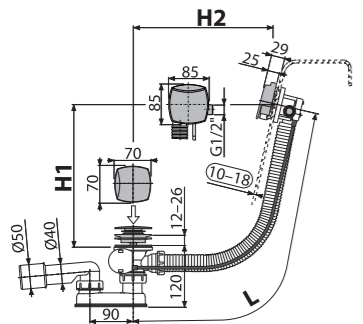
Bath pop-up waste and trap, with overflow filler, for thick-walled bathtubs, metal



Quantity (packing)	12 pcs
Quantity (pallet)	192 pcs
Material – plug/control knob	metal/metal

A565KM3

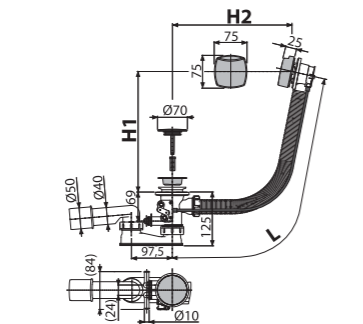
Bath pop-up waste and trap, with overflow filler, for thick-walled bathtubs, metal



Quantity (packing)	12 pcs
Quantity (pallet)	192 pcs
Material – plug/control knob	metal/metal

A566-112122-57

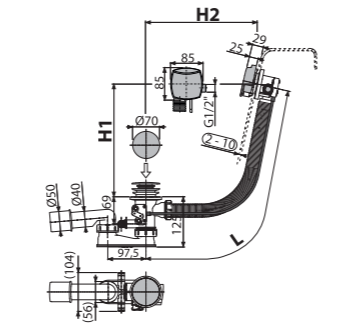
Bath waste and trap for whirlpool bathtubs, chrome



Quantity (packing)	12 pcs
Quantity (pallet)	192 pcs
Material – plug/control knob	plastic/plastic

A566-273133-57

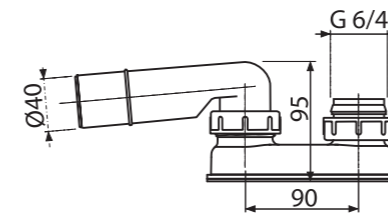
Bath waste and trap for whirlpool bathtubs with overflow filler, metal



Quantity (packing)	12 pcs
Quantity (pallet)	192 pcs
Material – plug/control knob	metal/metal

A53-DN40

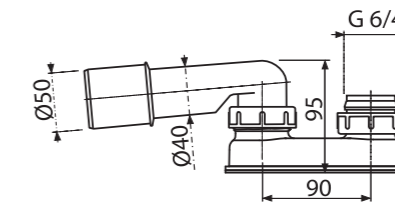
Odour trap



Quantity (packing)	75 pcs
Quantity (pallet)	1200 pcs
Material	polypropylene

A53-DN50

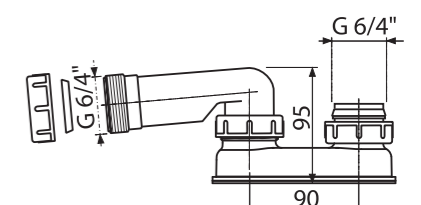
Odour trap



Quantity (packing)	75 pcs
Quantity (pallet)	1200 pcs
Material	polypropylene

A53-6/4"

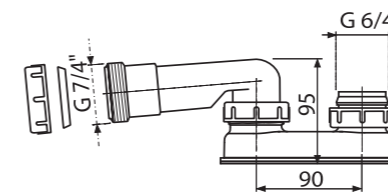
Odour trap



Quantity (packing)	75 pcs
Quantity (pallet)	1200 pcs
Material	polypropylene

A53-7/4"

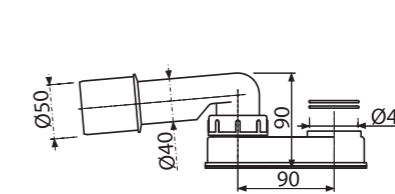
Odour trap



Quantity (packing)	75 pcs
Quantity (pallet)	1200 pcs
Material	polypropylene

A531

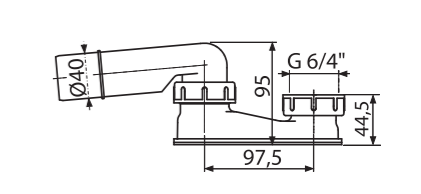
Odour trap lowered



Quantity (packing)	75 pcs
Quantity (pallet)	1200 pcs
Material	polypropylene

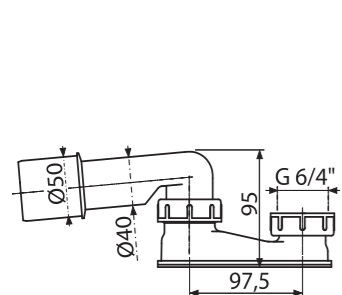
A532-DN40

Odour trap lowered



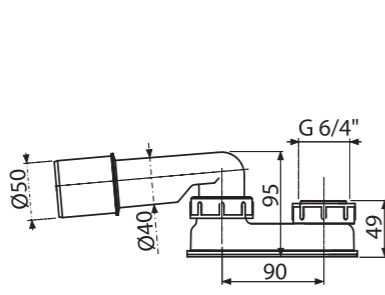
Quantity (packing)	75 pcs
Quantity (pallet)	1200 pcs
Material	polypropylene

A532-DN50
Odour trap lowered



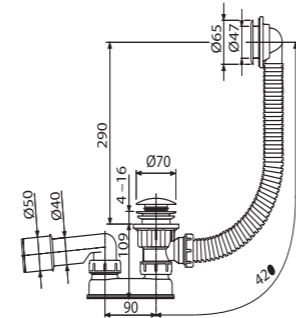
Quantity (packing)	75 pcs
Quantity (pallet)	1200 pcs
Material	polypropylene

A533-DN50
Odour trap



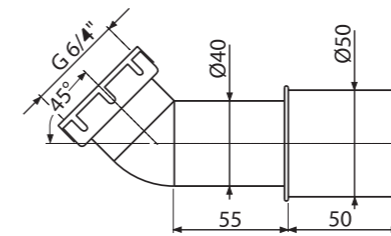
Quantity (packing)	75 pcs
Quantity (pallet)	1200 pcs
Material	polypropylene

A503KM
Shower waste and trap CLICK/CLACK,
metal



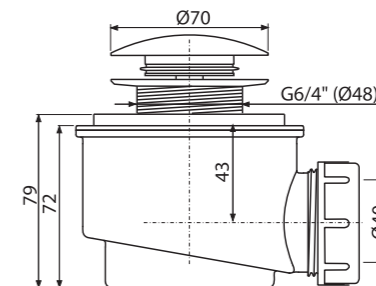
Quantity (packing)	25 pcs
Quantity (pallet)	400 pcs
Material – plug/grid	metal/plastic

A52
Elbow 45°



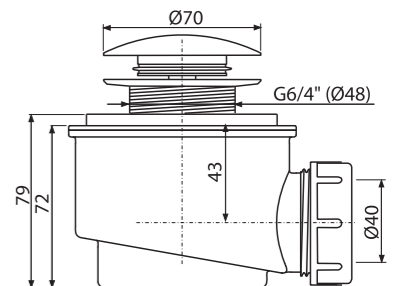
Quantity (packing)	75 pcs
Quantity (pallet)	2100 pcs
Material	ABS

A465C-50
Shower waste and trap CLICK/CLACK,
metal



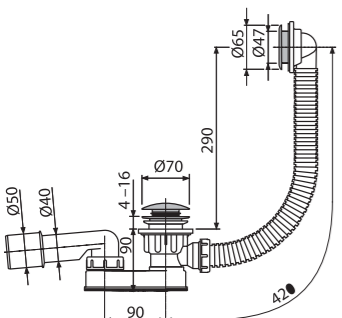
Quantity (packing)	30 pcs
Quantity (pallet)	840 pcs
Material – trap body/ plug	polypropylene/ metal

A465BLACK-50
Shower waste and trap CLICK/CLACK,
black-matt



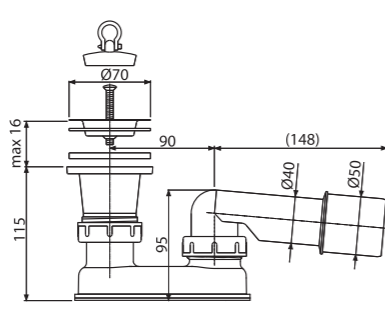
Quantity (packing)	30 pcs
Quantity (pallet)	840 pcs
Material – trap body/ plug	polypropylene/ metal

A506KM
Shower waste and trap CLICK/CLACK,
metal



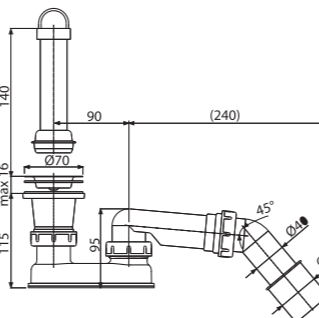
Quantity (packing)	25 pcs
Quantity (pallet)	400 pcs
Material – plug/grid	metal/plastic

A461-50
Shower waste and trap



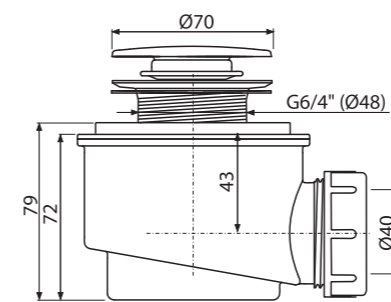
Quantity (packing)	50 pcs
Quantity (pallet)	800 pcs
Material	polypropylene

A462-50
Shower waste and trap, with overflow
pipe and elbow



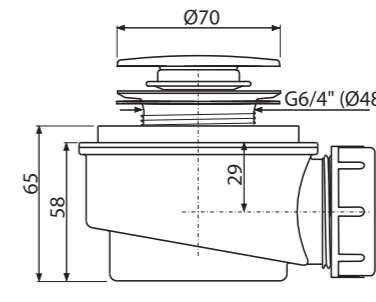
Quantity (packing)	35 pcs
Quantity (pallet)	560 pcs
Material	polypropylene

A466-50
Shower waste and trap CLICK/CLACK,
chrome



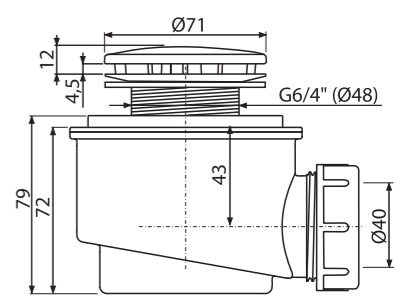
Quantity (packing)	30 pcs
Quantity (pallet)	840 pcs
Material – trap body/ plug	polypropylene/ plastic

A476
Shower waste set CLICK/CLACK, chrome



Quantity (packing)	30 pcs
Quantity (pallet)	840 pcs
Material – trap body/ plug	polypropylene/ plastic

A46-50
Shower waste and trap with stainless
steel grid

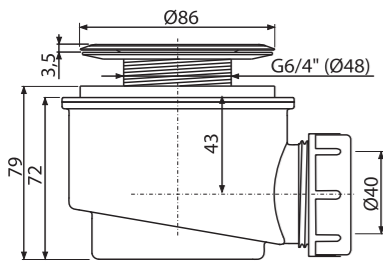


Quantity (packing)	30 pcs
Quantity (pallet)	840 pcs
Material – trap body/ cover	polypropylene/ metal

A46-60
Shower waste and trap with stainless steel grid



Ø60

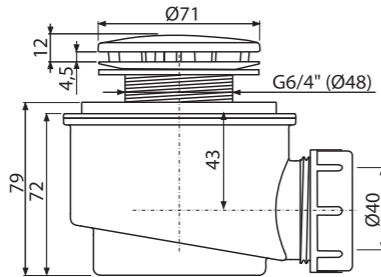


Quantity (packing) 30 pcs
Quantity (pallet) 840 pcs
Material – trap body/cover polypropylene/metal

A47B-50
Shower waste and trap, white



Ø50

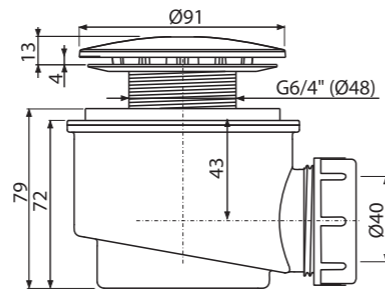


Quantity (packing) 30 pcs
Quantity (pallet) 840 pcs
Material – trap body/cover polypropylene/plastic

A47B-60
Shower waste and trap, white



Ø60

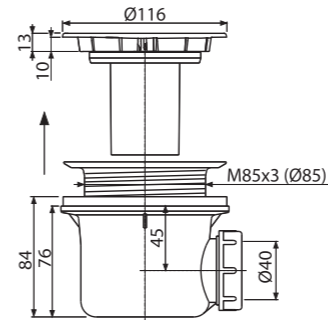


Quantity (packing) 30 pcs
Quantity (pallet) 840 pcs
Material – trap body/cover polypropylene/plastic

A49B
Shower waste and trap, white



Ø90

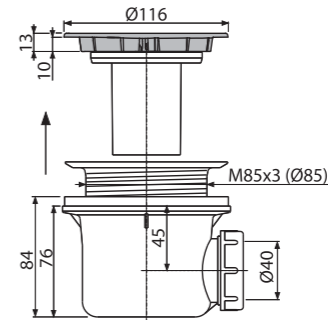


Quantity (packing) 24 pcs
Quantity (pallet) 672 pcs
Material – trap body/cover polypropylene/plastic

A49CR
Shower waste and trap, chrome



Ø90

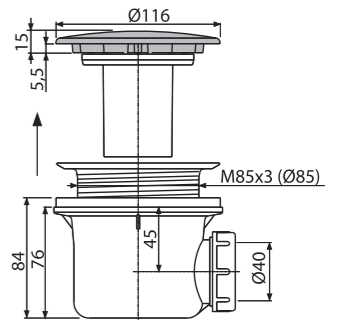


Quantity (packing) 24 pcs
Quantity (pallet) 672 pcs
Material – trap body/cover polypropylene/plastic

A49K
Shower waste and trap, metal LUX



Ø90

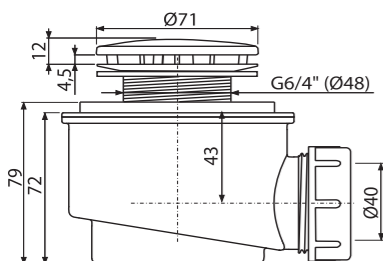


Quantity (packing) 24 pcs
Quantity (pallet) 672 pcs
Material – trap body/cover polypropylene/metal

A47CR-50
Shower waste and trap, chrome



Ø50

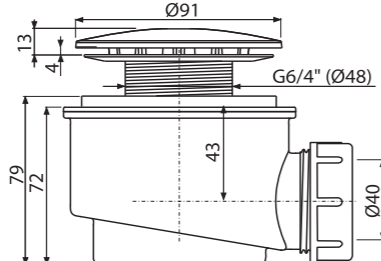


Quantity (packing) 30 pcs
Quantity (pallet) 840 pcs
Material – trap body/cover polypropylene/plastic

A47CR-60
Shower waste and trap, chrome



Ø60

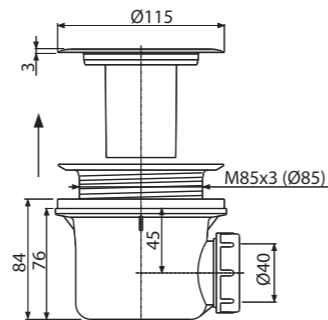


Quantity (packing) 30 pcs
Quantity (pallet) 840 pcs
Material – trap body/cover polypropylene/plastic

A48
Shower waste and trap with stainless steel grid



Ø90

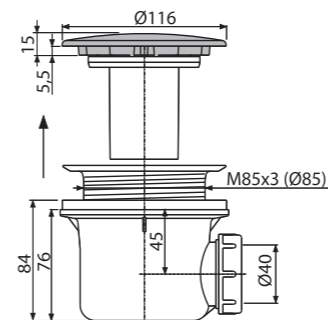


Quantity (packing) 24 pcs
Quantity (pallet) 672 pcs
Material – trap body/cover polypropylene/metal

A49K MAT
Shower waste and trap, metal LUX



Ø90

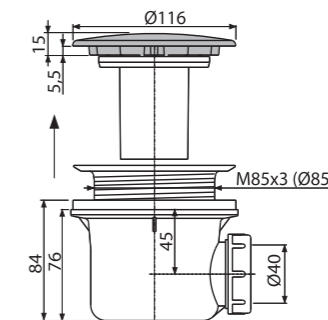


Quantity (packing) 24 pcs
Quantity (pallet) 672 pcs
Material – trap body/cover polypropylene/metal

A49ANTIC
Shower waste and trap, bronze-antic



Ø90

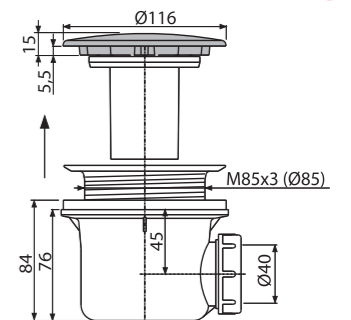


Quantity (packing) 24 pcs
Quantity (pallet) 672 pcs
Material – trap body/cover polypropylene/metal

A49BLACK
Shower waste and trap, black-matt



Ø90

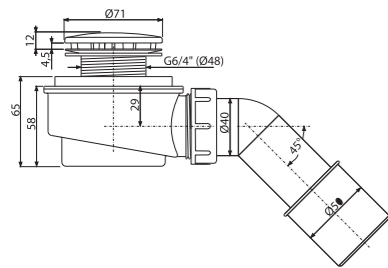


Quantity (packing) 24 pcs
Quantity (pallet) 672 pcs
Material – trap body/cover polypropylene/metal

A471CR-50
Shower waste set, chrome



REDUCED HEIGHT **Ø50**

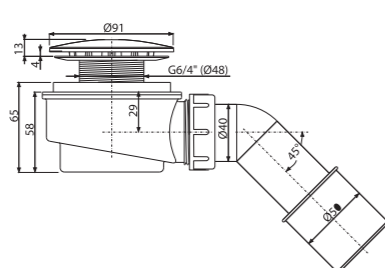


Quantity (packing)	25 pcs
Quantity (pallet)	700 pcs
Material – trap body/ cover	polypropylene/ plastic

A471CR-60
Shower waste set, chrome



REDUCED HEIGHT **Ø60**

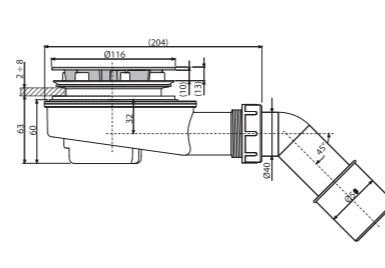


Quantity (packing)	25 pcs
Quantity (pallet)	700 pcs
Material – trap body/ cover	polypropylene/ plastic

A491CR
Shower waste set, chrome



REDUCED HEIGHT **Ø90**

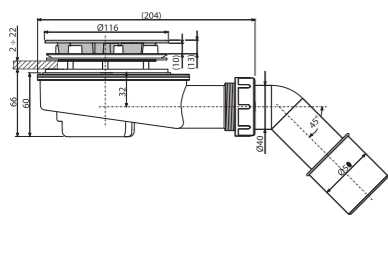


Quantity (packing)	15 pcs
Quantity (pallet)	420 pcs
Material – trap body/ cover	polypropylene/ plastic

A492CR
Shower waste set for thick trays, chrome



REDUCED HEIGHT **Ø90**



Quantity (packing)	15 pcs
Quantity (pallet)	420 pcs
Material – trap body/ cover	polypropylene/ plastic

A41
Wash-basin waste and trap DN40 with stainless steel grid DN63

A410
Wash-basin waste and trap DN32 with stainless steel grid DN63



Quantity (packing)	25 pcs
Quantity (pallet)	700 pcs
Material	polypropylene

A42
Wash-basin waste and trap DN40 with plastic grid DN63

A420
Wash-basin waste and trap DN32 with plastic grid DN63



Quantity (packing)	25 pcs
Quantity (pallet)	700 pcs
Material	polypropylene

A411
Wash-basin waste and trap DN32 with stainless steel grid DN63



Quantity (packing)	25 pcs
Quantity (pallet)	700 pcs
Material	polypropylene

A412-DN40
Wash-basin waste and trap "S" DN40 with stainless steel grid DN63



Quantity (packing)	25 pcs
Quantity (pallet)	700 pcs
Material	polypropylene

A421
Wash-basin waste and trap DN32 with plastic grid DN63



Quantity (packing)	25 pcs
Quantity (pallet)	700 pcs
Material	polypropylene

A41P
Wash-basin waste and trap DN40 with connector and stainless steel grid DN63

A410P
Wash-basin waste and trap DN32 with connector and stainless steel grid DN63



Quantity (packing)	20 pcs
Quantity (pallet)	560 pcs
Material	polypropylene

A42P
Wash-basin waste and trap DN40 with connector and plastic grid DN63

A420P
Wash-basin waste and trap DN32 with connector and plastic grid DN63



Quantity (packing)	20 pcs
Quantity (pallet)	560 pcs
Material	polypropylene

A413
Space saving wash-basin trap DN63



Quantity (packing)	15 pcs
Quantity (pallet)	420 pcs
Material	polypropylene

A41R
Wash-basin waste and trap DN40 with stainless steel grid DN63, chain



Quantity (packing)	25 pcs
Quantity (pallet)	700 pcs
Material	polypropylene

A42R
Wash-basin waste and trap DN40 with plastic grid DN63, chain



Quantity (packing)	25 pcs
Quantity (pallet)	700 pcs
Material	polypropylene

A41PR
Wash-basin waste and trap DN40 with connector and stainless steel grid DN63, chain



Quantity (packing)	20 pcs
Quantity (pallet)	560 pcs
Material	polypropylene

A45F-DN40
Wash-basin and bidet trap DN40 plastic

A45F-DN32
Wash-basin and bidet trap DN32 plastic



Quantity (packing)	25 pcs
Quantity (pallet)	700 pcs
Material	polypropylene

A32
Wash-basin waste 5/4" with plastic grid DN63



Quantity (packing)	100 pcs
Quantity (pallet)	2800 pcs
Material	polypropylene

A31P
Wash-basin waste 6/4" with stainless steel grid DN63 and connector



Quantity (packing)	75 pcs
Quantity (pallet)	2100 pcs
Material	polypropylene

A439
Wash-basin waste 5/4", metal



Quantity (packing)	40 pcs
Quantity (pallet)	640 pcs
Material	stainless steel

A43
Wash-basin trap DN40 with coupling nut 5/4"



Quantity (packing)	25 pcs
Quantity (pallet)	700 pcs
Material	polypropylene

A43P
Wash-basin trap DN40 with connector and coupling nut 5/4"



Quantity (packing)	25 pcs
Quantity (pallet)	700 pcs
Material	polypropylene

A434
Space-saving wash-basin trap DN40 with coupling nut 5/4"



Quantity (packing)	10 pcs
Quantity (pallet)	280 pcs
Material	polypropylene

A750+A31
Flexi pipe 5/4"×32/40 plastic + Wash-basin waste 5/4" with stainless steel grid DN63



Quantity (packing)	60 pcs
Quantity (pallet)	960 pcs
Material	polypropylene

A391
Wash-basin CLICK/CLACK waste 5/4", metal with overflow, small plug



Quantity (packing)	40 pcs
Quantity (pallet)	1280 pcs
Material	chrome-plated brass

A392C
Wash-basin CLICK/CLACK waste 5/4", metal with overflow, big plug



Quantity (packing)	30 pcs
Quantity (pallet)	840 pcs
Material	chrome-plated brass

A80-DN32
Pipe trap with coupling nut 5/4"



Quantity (packing)	15 pcs
Quantity (pallet)	420 pcs
Material	polypropylene

P066-ND
Set of spare seals for wash-basin traps



Quantity (packing)	-
Quantity (pallet)	-
Material	rubber

A31
Wash-basin waste 5/4" with stainless steel grid DN63



Quantity (packing)	100 pcs
Quantity (pallet)	2800 pcs
Material	polypropylene

A392B
Wash-basin CLICK/CLACK waste 5/4" metal with overflow, big white plug



Quantity (packing)	30 pcs
Quantity (pallet)	840 pcs
Material	chrome-plated brass

A392ANTIC
Wash-basin CLICK/CLACK waste 5/4" metal with overflow, big plug, bronze-antic



Quantity (packing)	30 pcs
Quantity (pallet)	840 pcs
Material	brass with bronze-antic finish

A392BLACK
Wash-basin CLICK/CLACK waste 5/4", metal with overflow, big plug black-matt



Quantity (packing)	30 pcs
Quantity (pallet)	840 pcs
Material	chrome-plated brass with black-matt finish

A392-G-P

Wash-basin CLICK/CLACK waste 5/4" metal with overflow, big plug, GOLD-polished



Quantity (packing) 30 pcs
Quantity (pallet) 840 pcs
Material brass with PVD finish

A392-G-B

Wash-basin CLICK/CLACK waste 5/4" metal with overflow, big plug, GOLD-brushed matt



Quantity (packing) 30 pcs
Quantity (pallet) 840 pcs
Material brass with PVD finish

A392-RG-P

Wash-basin CLICK/CLACK waste 5/4" metal with overflow, big plug, RED GOLD-polished



Quantity (packing) 30 pcs
Quantity (pallet) 840 pcs
Material brass with PVD finish

A392-RG-B

Wash-basin CLICK/CLACK waste 5/4" metal with overflow, big plug, RED GOLD-brushed matt



Quantity (packing) 30 pcs
Quantity (pallet) 840 pcs
Material brass with PVD finish

A392-N-P

Wash-basin CLICK/CLACK waste 5/4" metal with overflow, big plug, NICKEL-polished



Quantity (packing) 30 pcs
Quantity (pallet) 840 pcs
Material brass with PVD finish

A392-N-B

Wash-basin CLICK/CLACK waste 5/4" metal with overflow, big plug, NICKEL-brushed matt



Quantity (packing) 30 pcs
Quantity (pallet) 840 pcs
Material brass with PVD finish

A392-GM-P

Wash-basin CLICK/CLACK waste 5/4" metal with overflow, big plug, GUN METAL-polished



Quantity (packing) 30 pcs
Quantity (pallet) 840 pcs
Material brass with PVD finish

A392-GM-B

Wash-basin CLICK/CLACK waste 5/4" metal with overflow, big plug, GUN METAL-brushed matt



Quantity (packing) 30 pcs
Quantity (pallet) 840 pcs
Material brass with PVD finish

A393

Wash-basin CLICK/CLACK waste 5/4", metal with overflow, square plug



Quantity (packing) 30 pcs
Quantity (pallet) 840 pcs
Material chrome-plated brass

A394

Wash-basin CLICK/CLACK waste 5/4", metal without overflow, small plug



Quantity (packing) 40 pcs
Quantity (pallet) 1120 pcs
Material chrome-plated brass

A395

Wash-basin CLICK/CLACK waste 5/4", metal without overflow, big plug



Quantity (packing) 30 pcs
Quantity (pallet) 840 pcs
Material chrome-plated brass

A395B

Wash-basin CLICK/CLACK waste 5/4", metal without overflow, big white plug, for plastic and glass wash-basins



Quantity (packing) 30 pcs
Quantity (pallet) 840 pcs
Material chrome-plated brass

A39

Wash-basin CLICK/CLACK waste 5/4", metal with overflow, small plug



Quantity (packing) 40 pcs
Quantity (pallet) 1120 pcs
Material chrome-plated brass

A390

Wash-basin CLICK/CLACK waste 5/4", metal with overflow, big plug



Quantity (packing) 40 pcs
Quantity (pallet) 1120 pcs
Material chrome-plated brass

A396

Wash-basin waste 5/4", metal, big plug, for wash-basins without overflow



Quantity (packing) 30 pcs
Quantity (pallet) 840 pcs
Material chrome-plated brass

A396BLACK new

Wash-basin waste 5/4", metal, big plug, for wash-basins without overflow, black-matt



Quantity (packing) 30 pcs
Quantity (pallet) 840 pcs
Material chrome-plated brass with black-matt finish

A396B new

Wash-basin waste 5/4", metal, big plug, for wash-basins without overflow, white-polished



Quantity (packing) 30 pcs
Quantity (pallet) 840 pcs
Material chrom-plated brass with white-polished finish

A328B

Wash-basin overflow, white



Quantity (packing) 50 pcs
Quantity (pallet) 800 pcs
Material – body/cap polypropylene/plastic

A328CR
Wash-basin overflow, chrome



Quantity (packing)	50 pcs
Quantity (pallet)	800 pcs
Material – body/ cap	polypropylene/ chrome-plated plastic

ARV001
Angle valve with a filter 1/2"×3/8", round



ARV003
Angle valve with a filter 1/2"×1/2", round

Quantity (packing)	60 pcs
Quantity (pallet)	1680 pcs
Material	chrome-plated metal

ARV001-ANTIC
Angle valve with a filter 1/2"×3/8", bronze-
-antic



ARV003-ANTIC
Angle valve with a filter 1/2"×1/2", bronze-
-antic

Quantity (packing)	60 pcs
Quantity (pallet)	1680 pcs
Material	metal with bronze-antic finish

ARV001-N-P
Angle valve with a filter 1/2"×3/8", NIC-
KEL-polished



Quantity (packing)	60 pcs
Quantity (pallet)	1680 pcs
Material	metal with PVD finish

ARV001-N-B
Angle valve with a filter 1/2"×3/8", NIC-
KEL-brushed matt



Quantity (packing)	60 pcs
Quantity (pallet)	1680 pcs
Material	metal with PVD finish

ARV001-GM-P
Angle valve with a filter 1/2"×3/8", GUN
METAL-polished



Quantity (packing)	60 pcs
Quantity (pallet)	1680 pcs
Material	metal with PVD finish

ARV001-BLACK
Angle valve with a filter 1/2"×3/8", black-
-matt



Quantity (packing)	60 pcs
Quantity (pallet)	1680 pcs
Material	chrome-plated metal with black-matt finish

ARV001B
Angle valve with a filter 1/2"×3/8", round,
white



Quantity (packing)	72 pcs
Quantity (pallet)	1680 pcs
Material	chrome-plated metal with white-polished finish

ARV001-G-P
Angle valve with a filter 1/2"×3/8", GOLD-
-polished



Quantity (packing)	60 pcs
Quantity (pallet)	1680 pcs
Material	metal with PVD finish

ARV001-GM-B
Angle valve with a filter 1/2"×3/8", GUN
METAL-brushed matt



Quantity (packing)	60 pcs
Quantity (pallet)	1680 pcs
Material	metal with PVD finish

ARV002
Angle valve 1/2"×3/8", square



Quantity (packing)	72 pcs
Quantity (pallet)	2016 pcs
Material	chrome-plated metal

ARV003-BLACK
Angle valve with a filter 1/2"×1/2", black-
-matt

ARV003B
Angle valve with a filter 1/2"×1/2", round,
white

ARV001-G-B
Angle valve with a filter 1/2"×3/8", GOLD-
-brushed matt



Quantity (packing)	60 pcs
Quantity (pallet)	1680 pcs
Material	metal with PVD finish

ARV001-RG-P
Angle valve with a filter 1/2"×3/8", RED
GOLD-polished



Quantity (packing)	60 pcs
Quantity (pallet)	1680 pcs
Material	metal with PVD finish

ARV001-RG-B
Angle valve with a filter 1/2"×3/8", RED
GOLD-brushed matt



Quantity (packing)	60 pcs
Quantity (pallet)	1680 pcs
Material	metal with PVD finish

A400
Wash-basin trap DN32 DESIGN metal, round



Quantity (packing) 12 pcs
Quantity (pallet) 336 pcs
Material chrome-plated brass

A400ANTIC
Wash-basin trap DESIGN DN32, bronze-antic



Quantity (packing) 12 pcs
Quantity (pallet) 336 pcs
Material brass with bronze-antic finish

A400BLACK
Wash-basin trap DESIGN DN32, black-matt



Quantity (packing) 12 pcs
Quantity (pallet) 336 pcs
Material chrome-plated brass with black-matt finish

A400-N-B
Wash-basin trap DESIGN DN32, NICKEL-brushed matt



Quantity (packing) 12 pcs
Quantity (pallet) 336 pcs
Material brass with PVD finish

A400-GM-P
Wash-basin trap DESIGN DN32, GUN METAL-polished



Quantity (packing) 12 pcs
Quantity (pallet) 336 pcs
Material brass with PVD finish

A400-GM-B
Wash-basin trap DESIGN DN32, GUN METAL-brushed matt



Quantity (packing) 12 pcs
Quantity (pallet) 336 pcs
Material brass with PVD finish

A400B
Wash-basin trap DN32 DESIGN metal, round, white



Quantity (packing) 12 pcs
Quantity (pallet) 336 pcs
Material chrom-plated brass with white-polished finish

A400-G-P
Wash-basin trap DESIGN DN32, GOLD-polished



Quantity (packing) 12 pcs
Quantity (pallet) 336 pcs
Material brass with PVD finish

A400-G-B
Wash-basin trap DESIGN DN32, GOLD-brushed matt



Quantity (packing) 12 pcs
Quantity (pallet) 336 pcs
Material brass with PVD finish

A401
Wash-basin trap DN32 DESIGN metal, square



Quantity (packing) 12 pcs
Quantity (pallet) 336 pcs
Material chrome-plated brass

A402
Wash-basin trap DESIGN, metal DN32, massive



Quantity (packing) 7 pcs
Quantity (pallet) 252 pcs
Material chrome-plated brass

A403
Wash-basin trap DESIGN, metal DN32, space saving



Quantity (packing) 10 pcs
Quantity (pallet) 160 pcs
Material chrome-plated brass

A400-RG-P
Wash-basin trap DESIGN DN32, RED GOLD-polished



Quantity (packing) 12 pcs
Quantity (pallet) 336 pcs
Material brass with PVD finish

A400-RG-B
Wash-basin trap DESIGN DN32, RED GOLD-brushed matt



Quantity (packing) 12 pcs
Quantity (pallet) 336 pcs
Material brass with PVD finish

A400-N-P
Wash-basin trap DESIGN DN32, NICKEL-polished



Quantity (packing) 12 pcs
Quantity (pallet) 336 pcs
Material brass with PVD finish

A431
Wash-basin trap DN32 with coupling nut 5/4", metal



Quantity (packing) 20 pcs
Quantity (pallet) 560 pcs
Material chrome-plated brass

A437
Wash-basin trap, metal DN32, with metal waste 5/4"



Quantity (packing) 20 pcs
Quantity (pallet) 560 pcs
Material chrome-plated brass

A432
Wash-basin trap "U" DN32, with coupling nut 5/4", metal



Quantity (packing) 25 pcs
Quantity (pallet) 700 pcs
Material chrome-plated brass

A4320

Wash-basin trap "U" DN32, with coupling nut 5/4", metal



Quantity (packing)	20 pcs
Quantity (pallet)	560 pcs
Material	chrome-plated brass

A4320BLACK

Wash-basin trap "U" DN32, with coupling nut 5/4", black-matt



Quantity (packing)	20 pcs
Quantity (pallet)	560 pcs
Material	chrome-plated brass with black-matt finish

A438

Metal elbow DN32, 5/4" nut



Quantity (packing)	15 pcs
Quantity (pallet)	420 pcs
Material	chrome-plated metal

A4000

Extension piece DN32



Quantity (packing)	50 pcs
Quantity (pallet)	1400 pcs
Material	chrome-plated brass

A4000BLACK

Extension piece DN32, black-matt



Quantity (packing)	50 pcs
Quantity (pallet)	1400 pcs
Material	chrome-plated brass with black-matt finish

A4000B

Extension piece DN32, white



Quantity (packing)	15 pcs
Quantity (pallet)	420 pcs
Material	chrom-plated brass with white-polished finish

A441-DN50/40

Sink waste and trap with stainless steel grid DN70



Quantity (packing)	25 pcs
Quantity (pallet)	700 pcs
Material	polypropylene

A441P-DN50/40

Sink waste and trap with stainless steel grid DN70 and connector



Quantity (packing)	20 pcs
Quantity (pallet)	560 pcs
Material	polypropylene

A442-DN50/40

Sink waste and trap with plastic grid DN70



Quantity (packing)	25 pcs
Quantity (pallet)	700 pcs
Material	polypropylene

A442P-DN50/40

Sink waste and trap with plastic grid DN70 and connector



Quantity (packing)	20 pcs
Quantity (pallet)	560 pcs
Material	polypropylene

A444-DN50/40

Sink waste and trap with stainless steel grid DN70 and flexi overflow



Quantity (packing)	15 pcs
Quantity (pallet)	420 pcs
Material	polypropylene

A444P-DN50/40

Sink waste and trap with stainless steel grid DN70, flexi overflow and connector



Quantity (packing)	15 pcs
Quantity (pallet)	420 pcs
Material	polypropylene

A446-DN50/40

Sink waste and trap with stainless steel grid DN115



Quantity (packing)	15 pcs
Quantity (pallet)	420 pcs
Material	polypropylene

A446P-DN50/40

Sink waste and trap with stainless steel grid DN115 and connector



Quantity (packing)	15 pcs
Quantity (pallet)	420 pcs
Material	polypropylene

A447-DN50/40

Sink waste and trap with stainless steel grid DN115 and flexi overflow



Quantity (packing)	15 pcs
Quantity (pallet)	420 pcs
Material	polypropylene

A447P-DN50/40

Sink waste and trap with stainless steel grid DN115, flexi overflow and connector



Quantity (packing)	14 pcs
Quantity (pallet)	392 pcs
Material	polypropylene

A449-DN50/40

Double sink wastes and trap with stainless steel grids DN70



Quantity (packing)	10 pcs
Quantity (pallet)	280 pcs
Material	polypropylene

A449P-DN50/40

Double sink wastes and trap with stainless steel grids DN70 and connector



Quantity (packing)	10 pcs
Quantity (pallet)	280 pcs
Material	polypropylene

A830-DN50/40

Sink waste and pipe trap with stainless steel grid DN70, connector and flexi pipe



Quantity (packing)	10 pcs
Quantity (pallet)	280 pcs
Material	polypropylene

A840-DN50/40

Sink waste and pipe trap with stainless steel grid DN70, two connectors and flexi pipe



Quantity (packing)	10 pcs
Quantity (pallet)	280 pcs
Material	polypropylene

A870P-DN40

Space conserving sink trap DN40 with a connector



Quantity (packing)	15 pcs
Quantity (pallet)	240 pcs
Material	polypropylene

A453P

Double sink wastes and trap with stainless steel grids DN115 and connector



Quantity (packing)	10 pcs
Quantity (pallet)	160 pcs
Material	polypropylene

A454P

Double sink wastes and trap with stainless steel grids DN115 and connector, two-level



Quantity (packing)	8 pcs
Quantity (pallet)	224 pcs
Material	polypropylene

A456P

Double sink wastes and trap with stainless steel grids DN115, overflow and connector, two-level



Quantity (packing)	8 pcs
Quantity (pallet)	128 pcs
Material	polypropylene

A464-DN50

Shower waste and trap DN80



Quantity (packing)	25 pcs
Quantity (pallet)	400 pcs
Material	polypropylene

A8000

Universal sink trap set



Quantity (packing)	5 pcs
Quantity (pallet)	80 pcs
Material	polypropylene

P067-ND

Set of spare seals for sink traps



Quantity (packing)	-
Quantity (pallet)	-
Material	rubber

A800-DN40

Sink waste and pipe trap with stainless steel grid DN70



Quantity (packing)	15 pcs
Quantity (pallet)	420 pcs
Material	polypropylene

A810-DN40

Sink waste and pipe trap with stainless steel grid DN70 and connector



Quantity (packing)	15 pcs
Quantity (pallet)	420 pcs
Material	polypropylene

A820-DN40

Sink waste and pipe trap with stainless steel grid DN70 and two connectors



Quantity (packing)	20 pcs
Quantity (pallet)	320 pcs
Material	polypropylene

A820-DN50

Sink waste and pipe trap with stainless steel grid DN70 and two connectors



Quantity (packing)	20 pcs
Quantity (pallet)	320 pcs
Material	polypropylene

P046

Pipe with rosette DN40



Quantity (packing)	50 pcs
Quantity (pallet)	1400 pcs
Material	PVC

P047

Pipe with rosette DN50



Quantity (packing)	40 pcs
Quantity (pallet)	1120 pcs
Material	PVC

P109

Space-saving connector 6/4"



Quantity (packing)	25 pcs
Quantity (pallet)	400 pcs
Material	polypropylene

A443-DN50/40
Sink trap with coupling nut 6/4"



Quantity (packing)	25 pcs
Quantity (pallet)	700 pcs
Material	polypropylene

A443P-DN50/40
Sink trap with coupling nut 6/4" and connector



Quantity (packing)	25 pcs
Quantity (pallet)	700 pcs
Material	polypropylene

A448-DN50/40
Double sink trap with coupling nut 6/4"



Quantity (packing)	10 pcs
Quantity (pallet)	280 pcs
Material	polypropylene

A872P
Space-saving sink trap with a connector and coupling nut 6/4"



Quantity (packing)	15 pcs
Quantity (pallet)	420 pcs
Material	polypropylene

A873
Universal trap, concealed, space-saving



Quantity (packing)	10 pcs
Quantity (pallet)	280 pcs
Material	polypropylene

A770+A33
Flexi pipe 6/4"x40/50 plastic + Sink waste 6/4" with stainless steel grid DN70



Quantity (packing)	50 pcs
Quantity (pallet)	800 pcs
Material	polypropylene

A448P-DN50/40
Double sink trap with coupling nut 6/4" and connector



Quantity (packing)	10 pcs
Quantity (pallet)	280 pcs
Material	polypropylene

A80-DN40 / A80-DN50
Pipe trap with coupling nut 6/4"



Quantity (packing)	15 pcs
Quantity (pallet)	420 pcs
Material	polypropylene

A80-DN32
Pipe trap with coupling nut 5/4"

A81-DN40
Pipe trap with coupling nut 6/4" and connector



Quantity (packing)	15 pcs
Quantity (pallet)	420 pcs
Material	polypropylene

A81-DN50
Pipe trap with coupling nut 6/4" and connector

A33
Sink waste 6/4" with stainless steel grid DN70



Quantity (packing)	100 pcs
Quantity (pallet)	2800 pcs
Material	polypropylene

A33P
Sink waste 6/4" with stainless steel grid DN70 and with connector



Quantity (packing)	75 pcs
Quantity (pallet)	2100 pcs
Material	polypropylene

A331
Sink waste 6/4" with stainless steel grid DN70 and flexi overflow



Quantity (packing)	40 pcs
Quantity (pallet)	1120 pcs
Material	polypropylene

A82-DN40
Pipe trap with coupling nut 6/4" and two connectors



Quantity (packing)	20 pcs
Quantity (pallet)	320 pcs
Material	polypropylene

A83-DN50/40
Pipe trap with coupling nut 6/4", connector and flexi pipe



Quantity (packing)	10 pcs
Quantity (pallet)	280 pcs
Material	polypropylene

A84-DN50/40
Pipe trap with coupling nut 6/4", two connectors and flexi pipe



Quantity (packing)	10 pcs
Quantity (pallet)	280 pcs
Material	polypropylene

A34
Raised sink waste 6/4" with stainless steel grid DN70



Quantity (packing)	100 pcs
Quantity (pallet)	2800 pcs
Material	polypropylene

A37
Sink waste 6/4" with stainless steel grid DN115



Quantity (packing)	50 pcs
Quantity (pallet)	1400 pcs
Material	polypropylene

A38
Sink waste 6/4" with stainless steel grid DN115 and flexi overflow



Quantity (packing)	25 pcs
Quantity (pallet)	700 pcs
Material	polypropylene

A30
Adapter pipe 6/4" with connector



Quantity (packing)	75 pcs
Quantity (pallet)	2100 pcs
Material	polypropylene

A44MN-DN40
Adapter pipe with coupling nut 6/4"



Quantity (packing)	25 pcs
Quantity (pallet)	400 pcs
Material	polypropylene

A44MS-DN40
Adapter pipe with coupling nut 6/4" and connector



Quantity (packing)	25 pcs
Quantity (pallet)	400 pcs
Material	polypropylene

P0048-ND
Connector set G1"/17-23



Quantity (packing)	100 pcs
Quantity (pallet)	1600 pcs
Material	polypropylene

P0049-ND
Connector set G1"/8-16



Quantity (packing)	100 pcs
Quantity (pallet)	1600 pcs
Material	polypropylene

P148
Double connector G1"/17-23



Quantity (packing)	70 pcs
Quantity (pallet)	1960 pcs
Material	polypropylene

A44M-DN40
Adapter pipe with coupling nut 6/4" and two connectors



Quantity (packing)	25 pcs
Quantity (pallet)	700 pcs
Material	polypropylene

A300
Adapter pipe 5/4"-6/4" a 6/4"-5/4" with connector



Quantity (packing)	60 pcs
Quantity (pallet)	1680 pcs
Material	polypropylene

S0506-ND
Reduction 5/4"×6/4"



Quantity (packing)	100 pcs
Quantity (pallet)	3200 pcs
Material	polypropylene

P148Z
Double connector G1"/17-23 with valves



Quantity (packing)	70 pcs
Quantity (pallet)	1960 pcs
Material	polypropylene

P149Z
Double connector G1"/8-23 with valves



Quantity (packing)	70 pcs
Quantity (pallet)	1960 pcs
Material	polypropylene

P155Z
Double connector DN40/32 / 17-23 with valves



Quantity (packing)	50 pcs
Quantity (pallet)	800 pcs
Material	polypropylene

S0507-ND
Reduction 6/4"×5/4"



Quantity (packing)	-
Quantity (pallet)	-
Material	polypropylene

S0556-ND
Reduction 6/4"×5/4"



Quantity (packing)	100 pcs
Quantity (pallet)	3200 pcs
Material	polypropylene

P156Z
Double connector DN40/32 / 8-23 with valves



Quantity (packing)	50 pcs
Quantity (pallet)	800 pcs
Material	polypropylene

P066-ND
Set of spare seals for wash-basin traps



Quantity (packing)	-
Quantity (pallet)	-
Material	rubber

P067-ND
Set of spare seals for sink traps



Quantity (packing)	-
Quantity (pallet)	-
Material	rubber

S0156-ND
Wrapping seal 50/40



Quantity (packing) _____ -
Quantity (pallet) _____ -
Material rubber

S0688-ND
Wrapping seal 36/10



Quantity (packing) _____ -
Quantity (pallet) _____ -
Material rubber

Z0003-ND
Wrapping seal 40/32



Quantity (packing) _____ -
Quantity (pallet) _____ -
Material rubber

Z0004-ND
Wrapping seal 50/32



Quantity (packing) _____ -
Quantity (pallet) _____ -
Material rubber

Z0026-ND
Wrapping seal 60/32



Quantity (packing) _____ -
Quantity (pallet) _____ -
Material rubber

A22
Rosette – cover piece of wash-basin
overflow DN33



Quantity (packing) 200 pcs
Quantity (pallet) 5600 pcs
Material chrome-plated plastic

A21
Rosette – cover piece of wash-basin
overflow DN35



Quantity (packing) 200 pcs
Quantity (pallet) 5600 pcs
Material chrome-plated plastic

A45A
Urinal trap with rubber sleeve



Quantity (packing) 25 pcs
Quantity (pallet) 700 pcs
Material polypropylene

A45B
Urinal trap horizontal outlet DN40



Quantity (packing) 25 pcs
Quantity (pallet) 700 pcs
Material polypropylene

A45C
Urinal trap vertical outlet DN40 and DN50



Quantity (packing) 25 pcs
Quantity (pallet) 700 pcs
Material polypropylene

A438
Metal elbow DN32, 5/4" nut



Quantity (packing) 15 pcs
Quantity (pallet) 420 pcs
Material chrome-plated metal

A45E
Bidet trap DN32 metal



Quantity (packing) 25 pcs
Quantity (pallet) 700 pcs
Material chrome-plated metal

A45F-DN32
Wash-basin and bidet trap DN32 plastic



A45F-DN40
Wash-basin and bidet trap DN40 plastic

Quantity (packing) 25 pcs
Quantity (pallet) 700 pcs
Material polypropylene

A45G
Bidet trap DN32 metal



Quantity (packing) 25 pcs
Quantity (pallet) 800 pcs
Material chrome-plated metal

ATS001
Button urinal flushing valve



Quantity (packing) 20 pcs
Quantity (pallet) 560 pcs
Material chrome-plated metal

AKS1
Funnel trap for dripping condensate DN32



Quantity (packing) 50 pcs
Quantity (pallet) 1400 pcs
Material polypropylene

AKS1Z
Funnel trap for dripping condensate DN32



Quantity (packing) 50 pcs
Quantity (pallet) 1400 pcs
Material polypropylene

AKS2
Trap for dripping condensate DN40



Quantity (packing) 15 pcs
Quantity (pallet) 420 pcs
Material polypropylene

AKS3
Trap for dripping condensate DN40



Quantity (packing) 15 pcs
Quantity (pallet) 420 pcs
Material polypropylene

AKS4
Trap for dripping condensate, concealed, stainless steel DN40 and DN50



Quantity (packing) 25 pcs
Quantity (pallet) 400 pcs
Material polypropylene

AKS5
Funnel trap for dripping condensate with tube holder DN32



Quantity (packing) 60 pcs
Quantity (pallet) 960 pcs
Material polypropylene

AKS6
Reduction HT 40/50×G1/2"



Quantity (packing) 100 pcs
Quantity (pallet) 2800 pcs
Material polypropylene

AKS7
Trap for dripping condensate, concealed, stainless steel DN40 and DN50



Quantity (packing) 25 pcs
Quantity (pallet) 400 pcs
Material polypropylene

P157Z new
Double connector G1"/8–16 with valves



Quantity (packing) 50 pcs
Quantity (pallet) 1400 pcs
Material polypropylene

APS1
External washing machine trap, chrome



Quantity (packing) 100 pcs
Quantity (pallet) 2800 pcs
Material chrome-plated ABS

APS2
External washing machine trap, white



Quantity (packing) 100 pcs
Quantity (pallet) 2800 pcs
Material ABS

APS3
Concealed washing machine trap, stainless steel



Quantity (packing) 40 pcs
Quantity (pallet) 1120 pcs
Material polypropylene

APS3P
Concealed washing machine trap with air-admittance valve, stainless steel DN40 and DN50



Quantity (packing) 25 pcs
Quantity (pallet) 400 pcs
Material polypropylene

APS4
Concealed washing machine trap, white



Quantity (packing) 40 pcs
Quantity (pallet) 1120 pcs
Material polypropylene

APS5
External washing machine trap with air-admittance valve, white



Quantity (packing) 75 pcs
Quantity (pallet) 2100 pcs
Material ABS

APS6 new
Concealed washing machine trap for connection of two appliances, stainless steel



Quantity (packing) 40 pcs
Quantity (pallet) 1120 pcs
Material polypropylene

P148
Double connector G1"/17–23



Quantity (packing) 70 pcs
Quantity (pallet) 1960 pcs
Material polypropylene

P148Z
Double connector G1"/17–23 with valves



Quantity (packing) 70 pcs
Quantity (pallet) 1960 pcs
Material polypropylene

P149Z

Double connector G1"/8–23 with valves



Quantity (packing)	70 pcs
Quantity (pallet)	1960 pcs
Material	polypropylene

P155Z

Double connector DN40/32 / 17–23 with valves



Quantity (packing)	50 pcs
Quantity (pallet)	800 pcs
Material	polypropylene

P156Z

Double connector DN40/32 / 8–23 with valves



Quantity (packing)	50 pcs
Quantity (pallet)	800 pcs
Material	polypropylene

P157Z

new

Double connector G1"/8–16 with valves



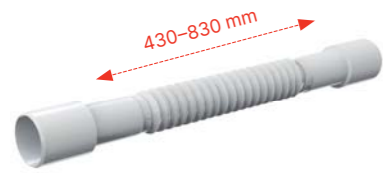
Quantity (packing)	50 pcs
Quantity (pallet)	1400 pcs
Material	polypropylene

Flexi pipes

Flexi pipes PREMIUM	192
Flexi pipes - accessories	193



A794
Flexi pipe 40-32x32-40



Quantity (packing)	100 pcs
Quantity (pallet)	1600 pcs
Material	polypropylene

A710
Flexi pipe 40x40



Quantity (packing)	100 pcs
Quantity (pallet)	1600 pcs
Material	polypropylene

A720
Flexi pipe 50/40x40/50



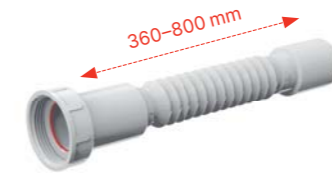
Quantity (packing)	50 pcs
Quantity (pallet)	800 pcs
Material	polypropylene

A780
Flexi pipe 6/4"x40/50 metal



Quantity (packing)	75 pcs
Quantity (pallet)	1200 pcs
Material	polypropylene

A791
Flexi pipe 6/4"x40 plastic



Quantity (packing)	100 pcs
Quantity (pallet)	1600 pcs
Material	polypropylene

A792
Flexi pipe 6/4"x40 metal



Quantity (packing)	100 pcs
Quantity (pallet)	1600 pcs
Material	polypropylene

A795
Flexi pipe 50/40x40



Quantity (packing)	100 pcs
Quantity (pallet)	1600 pcs
Material	polypropylene

A730
Flexi pipe 5/4"x40 plastic



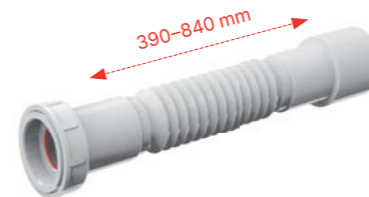
Quantity (packing)	100 pcs
Quantity (pallet)	1600 pcs
Material	polypropylene

A740
Flexi pipe 5/4"x40 metal



Quantity (packing)	100 pcs
Quantity (pallet)	1600 pcs
Material	polypropylene

A793
Flexi pipe 6/4" with reduction to 5/4"x50/40 plastic



Quantity (packing)	75 pcs
Quantity (pallet)	1200 pcs
Material	polypropylene

A7990
Two-component seal 5/4" (10 pcs)



Quantity (packing)	10 pcs
Quantity (pallet)	-
Material	elastomer

A7991
Two-component seal 6/4" (10 pcs)



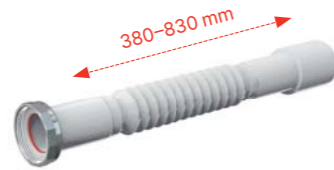
Quantity (packing)	10 pcs
Quantity (pallet)	-
Material	elastomer

A750
Flexi pipe 5/4"x32/40 plastic



Quantity (packing)	100 pcs
Quantity (pallet)	1600 pcs
Material	polypropylene

A760
Flexi pipe 5/4"x32/40 metal



Quantity (packing)	100 pcs
Quantity (pallet)	1600 pcs
Material	polypropylene

A770
Flexi pipe 6/4"x40/50 plastic



Quantity (packing)	75 pcs
Quantity (pallet)	1200 pcs
Material	polypropylene

A7992
Two-component seal 1" (10 pcs)



Quantity (packing)	10 pcs
Quantity (pallet)	-
Material	elastomer

A7993
Flexi pipe holder (10 pcs)



Quantity (packing)	10 pcs
Quantity (pallet)	- pcs
Material	polypropylene



WC accessories

WC flexi connectors	196
WC connectors	196
Air admittance heads	198
Bath access doors	199



A97
WC flexi connector



Quantity (packing) 20 pcs
Quantity (pallet) 320 pcs
Material polypropylene

A97L
WC flexi connector



Quantity (packing) 20 pcs
Quantity (pallet) - pcs
Material polypropylene

A97SN
WC flexi connector



Quantity (packing) 20 pcs
Quantity (pallet) 320 pcs
Material polypropylene

A91-150
WC connector – length 150 mm



Quantity (packing) 30 pcs
Quantity (pallet) 480 pcs
Material polypropylene

A91-250
WC connector – length 250 mm



Quantity (packing) 20 pcs
Quantity (pallet) 320 pcs
Material polypropylene

A91-400
WC connector – length 400 mm



Quantity (packing) 15 pcs
Quantity (pallet) 240 pcs
Material polypropylene

A970
WC flexi connector



Quantity (packing) 20 pcs
Quantity (pallet) 320 pcs
Material polypropylene

M9006
Elbow waste connector DN90/110 flexi



Quantity (packing) 25 pcs
Quantity (pallet) 400 pcs
Material polypropylene

A90-22
WC connector – Elbow 22°



Quantity (packing) 20 pcs
Quantity (pallet) 320 pcs
Material polypropylene

A92
WC connector – eccentric



Quantity (packing) 30 pcs
Quantity (pallet) 480 pcs
Material polypropylene

A98
WC rosette DN110 small



Quantity (packing) 75 pcs
Quantity (pallet) 1200 pcs
Material polypropylene

A980
WC rosette DN110 big



Quantity (packing) 30 pcs
Quantity (pallet) 480 pcs
Material polypropylene

A90-45
WC connector – Elbow 45°



Quantity (packing) 20 pcs
Quantity (pallet) 320 pcs
Material polypropylene

A90-90
WC connector – Elbow 90°



Quantity (packing) 12 pcs
Quantity (pallet) 192 pcs
Material polypropylene

A90-90P40
WC connector – Elbow 90° with connecting pitches DN40



Quantity (packing) 12 pcs
Quantity (pallet) 192 pcs
Material polypropylene

A991
WC connector straight



Quantity (packing) 35 pcs
Quantity (pallet) 560 pcs
Material polypropylene

A991-20
WC connector – eccentric 20 mm



Quantity (packing) 35 pcs
Quantity (pallet) 560 pcs
Material polypropylene

A991-40
WC connector – eccentric 40 mm



Quantity (packing) 35 pcs
Quantity (pallet) 560 pcs
Material polypropylene

A99
WC collar straight



Quantity (packing)	50 pcs
Quantity (pallet)	800 pcs
Material	PVC

A990
WC collar eccentric



Quantity (packing)	50 pcs
Quantity (pallet)	800 pcs
Material	PVC

APH40
Air admittance valve DN40



Quantity (packing)	75 pcs
Quantity (pallet)	2100 pcs
Material	polypropylene

APH50
Air admittance valve DN50



Quantity (packing)	50 pcs
Quantity (pallet)	1200 pcs
Material	polypropylene

APH75
Air admittance valve DN75



Quantity (packing)	50 pcs
Quantity (pallet)	800 pcs
Material	polypropylene

APH110
Air admittance valve DN110



Quantity (packing)	50 pcs
Quantity (pallet)	800 pcs
Material	polypropylene

AVD001
Bath access door 150×150, white



Quantity (packing)	60 pcs
Quantity (pallet)	760 pcs
Material	polypropylene

AVD002
Bath access door 150×300, white



Quantity (packing)	30 pcs
Quantity (pallet)	360 pcs
Material	polypropylene

AVD003
Bath access door 300×300, white



Quantity (packing)	16 pcs
Quantity (pallet)	96 pcs
Material	polypropylene

AVD004
Bath access door magnetic (under the tiles), adjustable height



Quantity (packing)	100 pcs
Quantity (pallet)	-
Material	metal

AVD005
Bath access door magnetic (under the tiles), basic

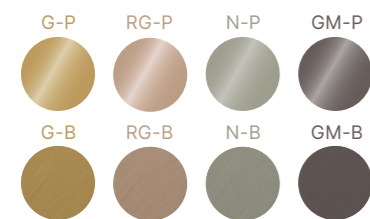
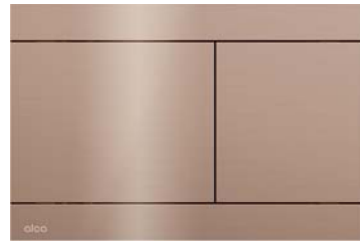


Quantity (packing)	100 pcs
Quantity (pallet)	-
Material	metal

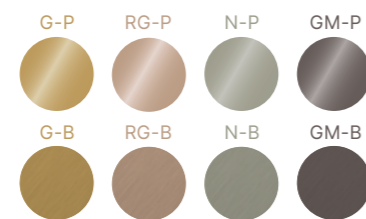
Product lines

PROGRAM INDIVIDUAL

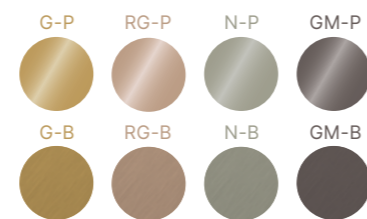
FUN-RG-P
Flush plate for pre-wall installation systems, RED GOLD-polished



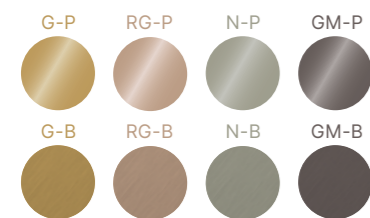
A400-RG-P
Wash-basin trap DESIGN DN32, RED GOLD-polished



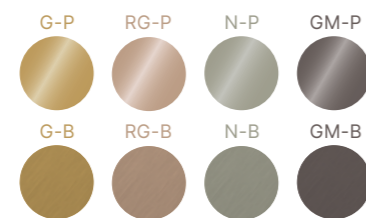
A392-RG-P
Wash-basin CLICK/CLACK waste 5/4" metal with overflow, big plug, RED GOLD-polished



A55K-RG-P
Bath pop-up waste and trap, RED GOLD-polished



ARV001-RG-P
Angle valve with a filter 1/2"×3/8", RED GOLD-polished



CODES FOR COLOUR VARIANTS

G-P	Gold-polished
G-B	Gold-brushed matt
RG-P	Red gold-polished
RG-B	Red gold-brushed matt
N-P	Nickel-polished
N-B	Nickel-brushed matt
GM-P	Gun metal-polished
GM-B	Gun metal-brushed matt



INDIVIDUAL.

YOURS IN EVERY DETAIL

Perfect match

It is possible that we can match your personal taste with charming pink tones. Or you might prefer a dazzling gold colour? Maybe your natural match is the gun metal. No matter what you decide, you can always rely on certain things. The perfect colour fastness and the resistance to abrasion. And so even your bathroom can be brought to perfection in every last detail.

BLACK-MATT PROGRAM

APZ1BLACK
Shower drain with an edge for perforated grids, black-matt



APZ101BLACK Low
Shower drain with an edge for perforated grids, black-matt



PURE BLACK
Grid for shower drain, black-matt



APZ10BLACK Simple
Shower drain with an edge for perforated grids, black-matt



M278
Flush plate for pre-wall installation systems, black-matt



M578
Flush plate for pre-wall installation systems, black-matt



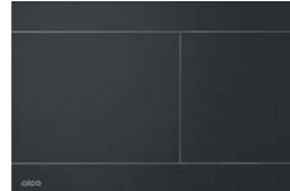
M678
Flush plate for pre-wall installation systems, black-matt



M778
Flush plate for pre-wall installation systems, black-matt/chrome-polished



FUN-BLACK
Flush plate for pre-wall installation systems, inox-black matt



MOON-BLACK new
Flush plate for pre-wall installation systems, inox-black matt



TURN-BLACK new
Flush plate for pre-wall installation systems, inox-black matt



A400BLACK
Wash-basin trap DESIGN DN32, black-matt



A4320BLACK
Wash-basin trap "U" DN32, with coupling nut 5/4", black-matt



A4000BLACK
Extension piece DN32, black-matt



A55BLACK
Bath pop-up waste and trap, black-matt



A507BLACK
Bath CLICK/CLACK waste and trap, black-matt



A564BLACK
Bath pop-up waste and trap, with overflow filler, black-matt



A392BLACK
Wash-basin CLICK/CLACK waste 5/4", metal with overflow, big plug black-matt



A396BLACK new
Wash-basin waste 5/4", metal, big plug, for wash-basins without overflow, black-matt



A465BLACK-50
Shower waste and trap CLICK/CLACK, black-matt



A49BLACK
Shower waste and trap, black-matt



APV31BLACK new
Floor drain 105x105/50 mm side outlet, stainless steel grid black-matt, combined odour trap SMART



APV32BLACK new
Floor drain 105x105/50 mm straight outlet, stainless steel grid black-matt, combined odour trap SMART



MPV004-BLACK new
Grid 102x102 mm stainless steel, black-matt



ARV001-BLACK
Angle valve with a filter 1/2"x3/8", black-matt



ARV003-BLACK
Angle valve with a filter 1/2"x1/2", black-matt



WHITE-POLISHED PROGRAM

M570
Flush plate for pre-wall installation systems, white-polished



M670
Flush plate for pre-wall installation systems, white-polished



M770
Flush plate for pre-wall installation systems, white-polished/chrome-polished



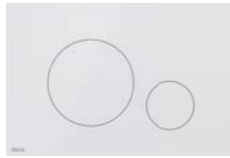
M775
Flush plate for pre-wall installation systems, white-polished/gold-polished



MOON-WHITE new
Flush plate for pre-wall installation systems, inox-white polished



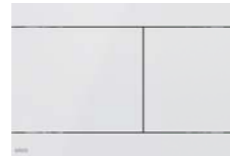
TURN-WHITE new
Flush plate for pre-wall installation systems, inox-white polished



STRIPE-WHITE
Flush plate for pre-wall installation systems, inox-white polished



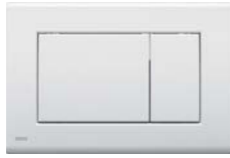
FUN-WHITE
Flush plate for pre-wall installation systems, inox-white polished



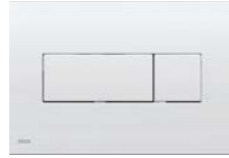
M70
Flush plate for pre-wall installation systems, white-polished



M270
Flush plate for pre-wall installation systems, white-polished



M370
Flush plate for pre-wall installation systems, white-polished



M1710
Flush plate for pre-wall installation systems, white-polished



GL1200
GLASS – Grid for shower drain, glass-white



A400B
Wash-basin trap DN32 DESIGN metal, round, white



A4000B
Extension piece DN32, white



ARV001B
Angle valve with a filter 1/2"×3/8", round, white



ARV003B
Angle valve with a filter 1/2"×1/2", round, white



A392B
Wash-basin CLICK/CLACK waste 5/4" metal with overflow, big white plug



A395B
Wash-basin CLICK/CLACK waste 5/4", metal without overflow, big white plug, for plastic and glass wash-basins



A396B new
Wash-basin waste 5/4", metal, big plug, for wash-basins without overflow, white-polished



A47B-50
Shower waste and trap, white



A47B-60
Shower waste and trap, white



A49B
Shower waste and trap, white



A51B
Bath pop-up waste and trap, white

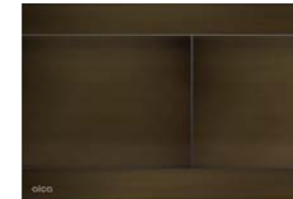


A51BM
Bath pop-up waste and trap, white



BRONZE-ANTIC PROGRAM

FUN-ANTIC
Flush plate for pre-wall installation systems, bronze-antic



DESIGN-ANTIC
Grid for shower drain, bronze-antic



MPV001-ANTIC
Design grid 102×102 mm bronze-antic



A400ANTIC
Wash-basin trap DESIGN DN32, bronze-antic



ARV001-ANTIC
Angle valve with a filter 1/2"×3/8", bronze-antic



ARV003-ANTIC
Angle valve with a filter 1/2"×1/2", bronze-antic



A392ANTIC
Wash-basin CLICK/CLACK waste 5/4" metal with overflow, big plug, bronze-antic



A49ANTIC
Shower waste and trap, bronze-antic

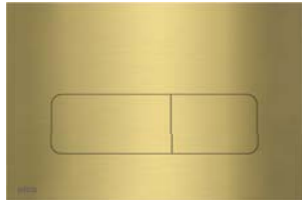


A55ANTIC
Bath pop-up waste and trap, bronze-antic

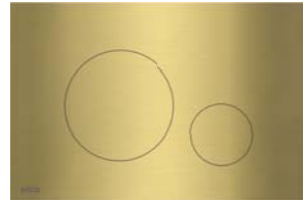


PROGRAM BRASS

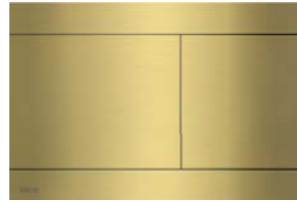
MOON-BRASS new
Flush plate for pre-wall installation systems, brass



TURN-BRASS new
Flush plate for pre-wall installation systems, brass



FUN-BRASS
Flush plate for pre-wall installation systems, brass



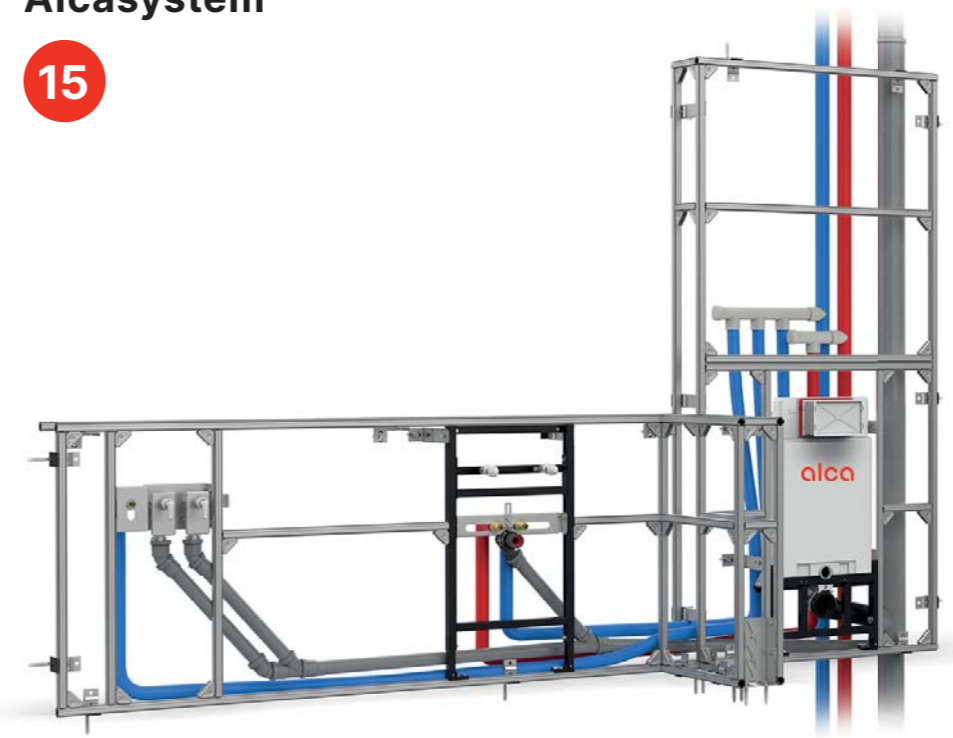
APZ10BLACK-BRASS new
Simple
Shower drain with an edge for perforated grids, brass



Product news 2022

Alcasystem

15



INNOVATION OF MOUNTING FRAMES



CROSSBARS MOUNTING FROM THE BACK SIDE



FIXATION SET EASY LOCK FOR MOUNTING TO THE WALL



CROSSBAR POSITION LOCKING



ANCHOR FEET BRAKE



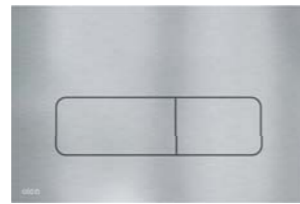
VARIABILITY OF WASTE KNEE DIAMETER

15

AM1115/1000 Renovmodul Slim
Pre-wall installation system for building into solid walls



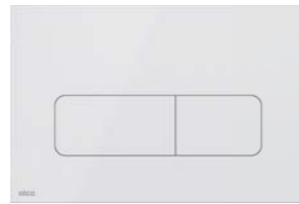
MOON
Flush plate for pre-wall installation systems, alinox-matt



MOON-BLACK
Flush plate for pre-wall installation systems, inox-black matt



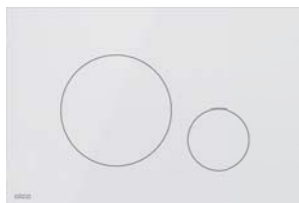
MOON-WHITE
Flush plate for pre-wall installation systems, inox-white polished



MOON-BRASS
Flush plate for pre-wall installation systems, brass



TURN-WHITE
Flush plate for pre-wall installation systems, inox-white polished



TURN-BLACK
Flush plate for pre-wall installation systems, inox-black matt



TURN-BRASS
Flush plate for pre-wall installation systems, brass



APZ2012-OPTION6 Optimal
Shower drain with an edge for two-sided grid (550, 650, 750, 850 mm)



APZ10BLACK-BRASS Simple
Shower drain with an edge for perforated grids, brass (550, 650, 750, 850 mm)



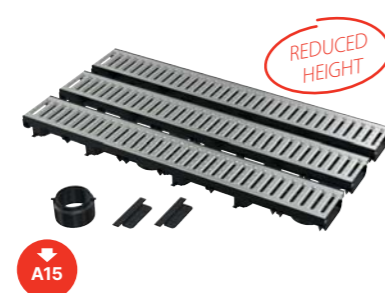
AVZ112-R103
Outdoor drain channel 60 mm with plastic frame and welded galvanized grid B125



AVZ112-R402
Outdoor drain channel 60 mm with plastic frame and composite grid B125



AVZ112-G102
Garage pack 3 m (2x end cap, 1x socket DN110)



AVZ112-G501
Garage pack 3 m (2x end cap, 1x socket DN110)



APV3513
Floor drain 105x105/50 mm side outlet, stainless steel grid, stainless steel flange and collar-2nd level insulation, combined odour trap SMART



APV31BLACK
Floor drain 105x105/50 mm side outlet, stainless steel grid black-matt, combined odour trap SMART



APV32BLACK
Floor drain 105x105/50 mm straight outlet, stainless steel grid black-matt, combined odour trap SMART



MPV004-BLACK
Grid 102x102 mm stainless steel, black-matt



A396BLACK
Wash-basin waste 5/4", metal, big plug, for wash-basins without overflow, black-matt



A396B
Wash-basin waste 5/4", metal, big plug, for wash-basins without overflow, white-polished



APS6
Concealed washing machine trap for connection of two appliances, stainless steel



PM01006UNI-BLACK
Plexi stand for bath trap – A564BLACK



PM01006EN
Plexi large stand for bath-tub waste and traps



PM01007UNI-BLACK
Plexi stand for metal program



PM01003EN
Plexi large stand for reduced shower wastes and traps



PM01005UNI
Plexi stand for fill and flush valves



PM02004EN
Large stand for plastic linear shower drains



PM03004UNI
Stand for WC seats



PM03008EN
Stand for outdoor drains



PM02016UNI-WHITE
Design grids sample book – APZ1/APZ6/APZ12



PM02027EN
Stand for APZ115 Marble Low



PM04021EN
Presentation board with flush plates



PM08001UNI
PVD material samples (box)



PM08002UNI
PVD material samples (fan)



PM02022CZ
Wooden stand for pre-wall installation system and flush plates



PM02024CZ
Stand for flush plates FLAT, white



PM02023CZ
Stand for APZ13 Fit and Go



PM02021CZ
Stand for stainless steel linear shower drains



alca GROUP

Elegance, design and innovation.
Tradition is in our veins
and we insist on quality.
That makes us Alca Group.



EY Entrepreneur Of The Year
in the Czech Republic
2018 Award Winner



Complete assortment sanitary technology and piping systems

alcadrain

Sanitary systems

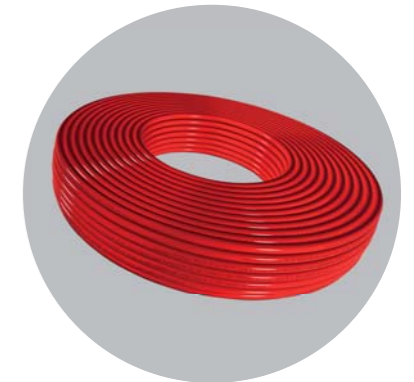
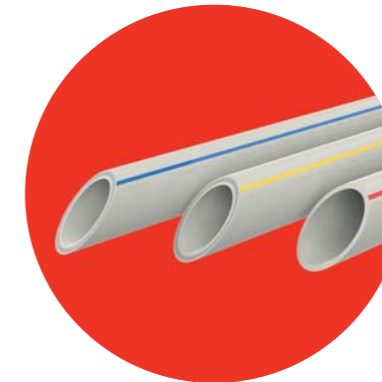
Alcadrain was founded in 1998 as a family-owned Czech company under the name Alcaplast, and in 2022 it changed its name as part of the Alca Group. It is the largest manufacturer of sanitary ware in Central and Eastern Europe, producing more than 600 sanitary ware products on the area of over 60,000 m² – valves, traps, WC systems, shower drains, floor drains, toilet seats and other products.



alcapipe

Piping systems

The company FV - Plast was founded in 1990 with the aim of producing quality plastic piping systems for water distribution and heating. In 2021, it became part of the Alca Group. After more than 30 years of production, development and innovation, it now processes polyethylenes, polypropylenes and polybutylenes into many types of pipes, fittings and accessories. It is the largest manufacturer of PP-RCT pipes and fittings in Central and Eastern Europe.



alcafix

System Walls

Alcafix was established in 2022 within the Alca Group. It deals with the production of modular systems for the construction and reconstruction of bathrooms and toilets. These prefabricated walls integrate Alca's sanitary technology and piping systems and are used both in larger development projects and in the construction of family houses or reconstructions.



Code	Page	Code	Page	Code	Page
AVZ104R-R401	126	MPV013	140	V0015-ND	63
AVZ104R-R402	127	MPV014	140	V0018-ND	63
AVZ112-G102	124, 208	MPV015	140	V0296-ND	63
AVZ112-G501	124, 208	MPV016	140	VIEW	93
AVZ112-R102	124	N0020-ND	63	WC ALCA	32
AVZ112-R103	125, 208	OPTION	100	WC Alca MEDIC	32
AVZ112-R402	125, 208	P0009-ND	75	WC RIMFLOW	32
AVZ112-R501	124	P0014-ND	63	WS ALCA	32
AVZ-P001	135	P0048-ND	183	Z0003-ND	184
AVZ-P002	135	P0049-ND	183	Z0004-ND	184
AVZ-P003	135	P046	179	Z0026-ND	184
AVZ-P004	135	P047	179	Z0137B-ND	76
AVZ-P008	135	P066-ND	168, 183	Z0952-ND	76
AVZ-P009	135	P067-ND	179, 183	ZIP	91
AVZ-P010	135	P095	95		
AVZ-P012	135	P096	75		
AVZ-P013	135	P102	75		
AVZ-P015	134	P103	32		
AVZ-P016	134	P105	76		
AVZ-P017	134	P105B	76		
AVZ-P018	134	P106	75		
BUBLE	80, 82, 83, 94, 99	P106B	76		
CODE	91	P109	179		
CUBE	80, 82, 83, 99	P113	76		
DESIGN	85	P115	32		
DESIGN-ANTIC	85, 205	P118	34		
DOUBLE	88, 89	P120	52		
DREAM	80, 82, 83, 99	P128	32		
FLOOR	85	P138	99		
FUN-ANTIC	205	P142	99		
FUN-BLACK	202	P143	90, 95, 100, 149		
FUN-BRASS	206	P144	90, 95, 149		
FUN-RG-P	200	P145	90, 95, 149		
FUN-WHITE	204	P148	183, 187		
GAP	85	P148Z	183, 187		
GL1200	85, 204	P149Z	183, 188		
GL1202	85	P155Z	183, 188		
GL1204	85	P156Z	183, 188		
GRACE	93	P157	76		
HOPE	80, 82, 83, 99	P157Z	186, 188		
INSERT	91	P169	33		
LIFE	93	P170	76		
LINE	80, 81, 82, 83, 99	P179	76		
M147	34	PM01003CZ	210		
M148	34	PM01005UNI	210		
M1710	204	PM01006CZ	210		
M270	204	PM01006UNI-BLACK	210		
M278	202	PM01007UNI-BLACK	210		
M370	204	PM02004CZ	211		
M570	204	PM02016UNI-WHITE	210		
M578	202	PM02021CZ	210		
M670	204	PM02022CZ	210		
M678	202	PM02023CZ	210		
M70	204	PM02024CZ	210		
M770	204	PM02027CZ	210		
M775	204	PM03004UNI	211		
M778	202	PM03008CZ	211		
M90	34	PM04021CZ	210		
M900	33	PM08002UNI	211		
M9000	33	POSH	85		
M9006	32, 196	PURE	80, 82, 83, 99		
M901	33	PURE BLACK	81, 202		
M902	34	S0156-ND	184		
M906	33	S0506-ND	182		
M907	33	S0507-ND	182		
M908	33	S0556-ND	182		
M909	33	S0688-ND	184		
M91	35	SA08A 1/2" CHROM	62		
M910	35	SA08A 3/8" CHROM	62		
M910CR	35	SA08AK 1/2" CHROM	62		
M918	34	SA08AK 3/8" CHROM	62		
M920	35	SA08AS 1/2" CHROM	62		
M930	35	SA08AS 3/8" CHROM	62		
M930CR	35	SA08ASK 1/2" CHROM	62		
M940	35	SA08ASK 3/8" CHROM	63		
M950	35	SA2000 1/2" CHROM	61		
M968	33	SA2000 3/8" CHROM	61		
MOON	208	SA2000K 1/2" CHROM	61		
MOON-BLACK	202, 208	SA2000K 3/8" CHROM	61		
MOON-BRASS	206, 208	SA2000S 1/2" CHROM	61		
MOON-WHITE	204, 208	SA2000S 3/8" CHROM	61		
MP010	52	SA2000SK 1/2" CHROM	62		
MP011	52	SA2000SK 3/8" CHROM	62		
MP012	52	SOLID	99		
MP013	52	SPACE	91		
MPV001	148	STREAM	91		
MPV001-ANTIC	148, 205	STRIPE-WHITE	204		
MPV002	148	TILE	99		
MPV003	148	TIME	93		
MPV004	148	TURN-BLACK	202, 208		
MPV004-BLACK	148, 203, 209	TURN-BRASS	206, 208		
MPV011	140	TURN-WHITE	204, 208		
MPV012	140	V0011-ND	63		

alca GROUP

alcadrain

Sanitary systems

Czech Republic
Alcadrain s.r.o.
Komunardů 1626/35
170 00 Praha 7 – Holešovice
T: +420 519 821 117 – Sales Dept. CZ
T: +420 519 821 041 – Export Dept.
alcadrain@alcadrain.cz
www.alcadrain.com

alcapipe

Piping systems

Czech Republic
FV – Plast, a.s.
Kozovazská 1049/3
250 88 Čelákovice
T: +420 326 706 711
fv-plast@fv-plast.cz
www.fvplast.com

alcafix

System Walls

Czech Republic
Alcadrain s.r.o.
Komunardů 1626/35
170 00 Praha 7 – Holešovice
alcafix@alcafix.cz
www.alcafix.com

Our team of specialists is always on hand to help with design, installation and quote project prices.



Czech producer, ISO 9001:2015
Edition 1/2022 EN, © Alcadrain s.r.o.
Changes in dimensions and designs reserved.