

2023  
DESIGNER  
RADIATORS

Issue 1 - January 2023

# WELCOME

**Kartell UK has established a reputation as a premier supplier of high quality products to the UK Plumbing and Heating Sector.**

We are delighted to introduce our new **K-Rad Designer Radiator Brochure 2023**. Take a look at our wide ranges, all designed to provide exactly what we have become famous for at Kartell – delivering a quality product, offering a quality service and delivering at a competitive price.

Within these pages you will find the latest designer radiators and towel rails, influenced by fashions and designers across Europe. You will also find the traditional styles that have remained with us over the years; solid functional designs with durability and ease of use and maintenance.

**We trust that you will enjoy this new catalogue.**



PLEASE NOTE THAT WHILE THESE PRINTED COLOURS ARE A GOOD REFLECTION, THEY MAY NOT BE AN EXACT MATCH TO THE FINISHED PRODUCT.

## DESIGNER RADIATORS

ASPEN WHITE HORIZONTAL	4
ASPEN WHITE VERTICAL	5
ASPEN ANTHRACITE HORIZONTAL	6
ASPEN ANTHRACITE VERTICAL	7
ASPEN STAINLESS HORIZONTAL	8
ASPEN STAINLESS VERTICAL	9
BOSTON ANTHRACITE HORIZONTAL	10
BOSTON WHITE HORIZONTAL	11
BOSTON WHITE VERTICAL	12
BOSTON ANTHRACITE VERTICAL	13
LASER KLASSIC HORIZONTAL	14
LASER KLASSIC VERTICAL	15
LASER KLASSIC HORIZONTAL RAW METAL	16
LASER KLASSIC VERTICAL RAW METAL	17
LASER KLASSIC HORIZONTAL ANTHRACITE	18
LASER KLASSIC VERTICAL ANTHRACITE	19
K-FLAT KOMPACT HORIZONTAL	20
K-FLAT KOMPACT VERTICAL	21
K-FLAT PREMIUM KOMPACT HORIZONTAL	22
K-FLAT PREMIUM KOMPACT VERTICAL	23
VERMONT HORIZONTAL	24
VERMONT VERTICAL	25
NOSTALGIA	26
LEGACY	27
CINCINNATI	28
KANSAS	29



SCAN HERE FOR OUR GUARANTEE T&C'S

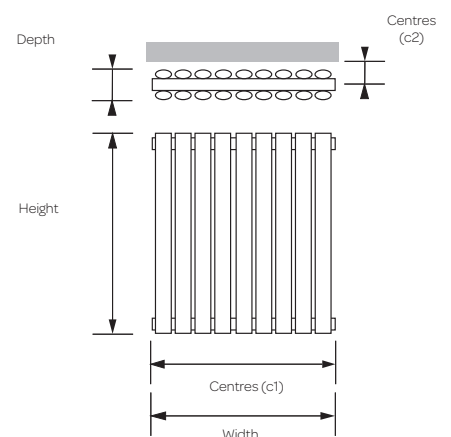
This publication is issued subject to alteration or withdrawal without notice. The illustrations and specifications are not binding in detail. All offers and sales are subject to the company's current terms and conditions of sale. Printed colours in this publication, whilst a good reflection, they may not be an exact match to the finished products. All prices shown include VAT and are correct at the time of going to press.

## DESIGNER TOWEL RAILS

IDAHO	30
CROWN	31
METRO	32
TOLEDO	33
ORLANDO	34
OHIO	35
NEWARK	36
CONNECTICUT	37
ATLANTIC	38
MEMPHIS	39
OREGON	40
MODE	41
NEW YORK	42
VENETIAN	43
DENVER	44
KOLUMN	45
OAKLAND	46
MALIBU	47
TAMPA	48
TEXAS	49
K-RAIL 22MM BLACK	50
K-RAIL 22MM ANTHRACITE	51
K-RAIL 22MM WHITE	52
K-RAIL 22MM CHROME	53
K-RAIL 25MM CHROME	54
K-SQUARED 22MM CHROME	55
COLOURED RAILS	56
ELECTRIC RAILS	58
RADIATOR VALVES & EXTRAS	59



Product Code	Height (mm)	Width (mm)	Depth (mm)	Tapping Centres (mm)		Heat Output $\Delta t 60^{\circ}\text{C}$ (BTUs)	Price (£)
				(c1)	(c2)		
<b>Aspen Single</b>							
<b>ASP60-37SW</b>	600	360	55	360	51	1434	<b>227.00</b>
<b>ASP60-55SW</b>	600	540	55	540	51	2234	<b>319.00</b>
<b>ASP60-79SW</b>	600	780	55	780	51	3309	<b>432.00</b>
<b>ASP60-97SW</b>	600	960	55	960	51	4428	<b>515.00</b>
<b>ASP60-115SW</b>	600	1140	55	1140	51	5111	<b>602.00</b>
<b>ASP60-145SW</b>	600	1440	55	1440	51	6377	<b>746.00</b>
<b>Aspen Double</b>							
<b>ASP60-37DW</b>	600	360	79	360	51	2467	<b>330.00</b>
<b>ASP60-55DW</b>	600	540	79	540	51	3850	<b>462.00</b>
<b>ASP60-79DW</b>	600	780	79	780	51	5694	<b>634.00</b>
<b>ASP60-97DW</b>	600	960	79	960	51	7591	<b>761.00</b>
<b>ASP60-115DW</b>	600	1140	79	1140	51	8645	<b>892.00</b>
<b>ASP60-145DW</b>	600	1440	79	1440	51	10780	<b>1102.00</b>





**5** 5 Year  
Guarantee

White Vertical **ASPEN** 



**We recommend**

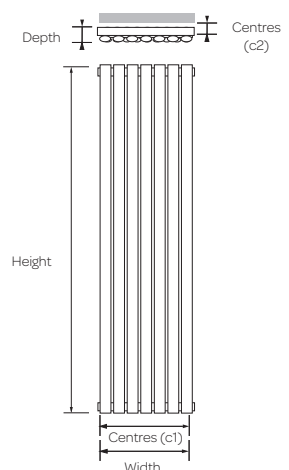
ASPEN VALVES (PAIR)  
STRAIGHT

**ASP-STR** **£46.00**

ANGLED

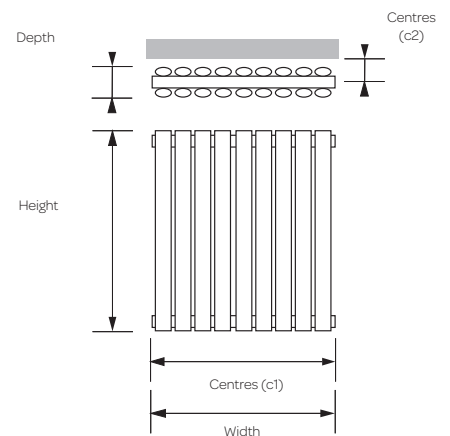
**ASP-ANG** **£43.00**

Product Code	Height (mm)	Width (mm)	Depth (mm)	Tapping Centres (mm)		Heat Output $\Delta t60^{\circ}\text{C}$ (BTUs)	Price (£)
				(c1)	(c2)		
<b>Aspen Single</b>							
<b>ASP16-43VSW</b>	1600	420	55	420	51	4187	<b>435.00</b>
<b>ASP18-31VSW</b>	1800	300	55	300	51	3563	<b>360.00</b>
<b>ASP18-43VSW</b>	1800	420	55	420	51	4796	<b>478.00</b>
<b>ASP18-55VSW</b>	1800	540	55	540	51	6299	<b>595.00</b>
<b>Aspen Double</b>							
<b>ASP16-43VDW</b>	1600	420	79	420	51	8170	<b>586.00</b>
<b>ASP18-31VDW</b>	1800	300	79	300	51	6933	<b>462.00</b>
<b>ASP18-43VDW</b>	1800	420	79	420	51	9540	<b>625.00</b>
<b>ASP18-55VDW</b>	1800	540	79	540	51	12283	<b>789.00</b>





Product Code	Height (mm)	Width (mm)	Depth (mm)	Tapping Centres (mm)		Heat Output $\Delta t60^{\circ}\text{C}$ (BTUs)	Price (£)
				(c1)	(c2)		
<b>Aspen Single</b>							
<b>ASP60-37SA</b>	600	360	55	360	51	1434	<b>232.00</b>
<b>ASP60-55SA</b>	600	540	55	540	51	2234	<b>330.00</b>
<b>ASP60-79SA</b>	600	780	55	780	51	3309	<b>444.00</b>
<b>ASP60-97SA</b>	600	960	55	960	51	4428	<b>533.00</b>
<b>ASP60-115SA</b>	600	1140	55	1140	51	5111	<b>622.00</b>
<b>ASP60-145SA</b>	600	1440	55	1440	51	6377	<b>769.00</b>
<b>Aspen Double</b>							
<b>ASP60-37DA</b>	600	360	79	360	51	2467	<b>341.00</b>
<b>ASP60-55DA</b>	600	540	79	540	51	3850	<b>476.00</b>
<b>ASP60-79DA</b>	600	780	79	780	51	5694	<b>654.00</b>
<b>ASP60-97DA</b>	600	960	79	960	51	7591	<b>782.00</b>
<b>ASP60-115DA</b>	600	1140	79	1140	51	8645	<b>917.00</b>
<b>ASP60-145DA</b>	600	1440	79	1440	51	10780	<b>1137.00</b>





**We recommend**

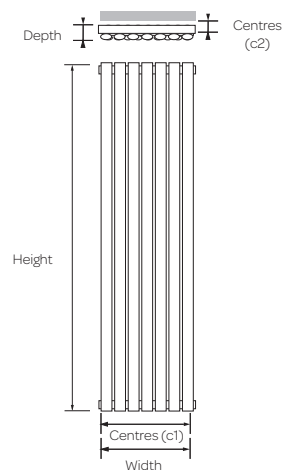
ASPEN VALVES (PAIR)  
STRAIGHT

**ASP-STR** **£46.00**

ANGLED

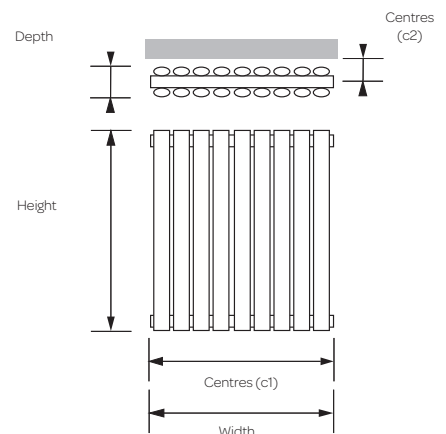
**ASP-ANG** **£43.00**

Product Code	Height (mm)	Width (mm)	Depth (mm)	Tapping Centres (mm)		Heat Output $\Delta t60^{\circ}\text{C}$ (BTUs)	Price (£)
				(c1)	(c2)		
<b>Aspen Single</b>							
<b>ASP16-43VSA</b>	1600	420	55	420	51	4187	<b>448.00</b>
<b>ASP18-31VSA</b>	1800	300	55	300	51	3563	<b>371.00</b>
<b>ASP18-43VSA</b>	1800	420	55	420	51	4796	<b>492.00</b>
<b>ASP18-55VSA</b>	1800	540	55	540	51	6299	<b>613.00</b>
<b>Aspen Double</b>							
<b>ASP16-43VDA</b>	1600	420	79	420	51	8170	<b>604.00</b>
<b>ASP18-31VDA</b>	1800	300	79	300	51	6933	<b>478.00</b>
<b>ASP18-43VDA</b>	1800	420	79	420	51	9540	<b>645.00</b>
<b>ASP18-55VDA</b>	1800	540	79	540	51	12283	<b>812.00</b>





Product Code	Height (mm)	Width (mm)	Depth (mm)	Tapping Centres (mm)		Heat Output $\Delta t60^{\circ}\text{C}$ (BTUs)	Price (£)
				(c1)	(c2)		
<b>Aspen Single</b>							
<b>ASP60-40S</b>	600	372	57.5	372	70	1271	<b>444.00</b>
<b>ASP60-57S</b>	600	558	57.5	558	70	1902	<b>528.00</b>
<b>ASP60-80S</b>	600	806	57.5	806	70	2479	<b>613.00</b>
<b>ASP60-100S</b>	600	992	57.5	992	70	3592	<b>659.00</b>
<b>ASP60-120S</b>	600	1178	57.5	1178	70	4016	<b>684.00</b>
<b>ASP60-150S</b>	600	1488	57.5	1488	70	5075	<b>856.00</b>
<b>Aspen Double</b>							
<b>ASP60-40D</b>	600	372	80	372	70	2187	<b>858.00</b>
<b>ASP60-57D</b>	600	558	80	558	70	3285	<b>832.00</b>
<b>ASP60-80D</b>	600	806	80	806	70	4379	<b>1148.00</b>
<b>ASP60-100D</b>	600	992	80	992	70	6204	<b>1248.00</b>
<b>ASP60-120D</b>	600	1178	80	1178	70	6904	<b>1342.00</b>
<b>ASP60-150D</b>	600	1488	80	1488	70	8763	<b>1703.00</b>







**We recommend**

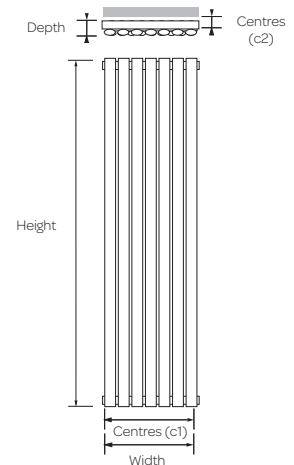
ASPEN VALVES (PAIR)  
STRAIGHT

**ASP-STR** **£46.00**

ANGLED

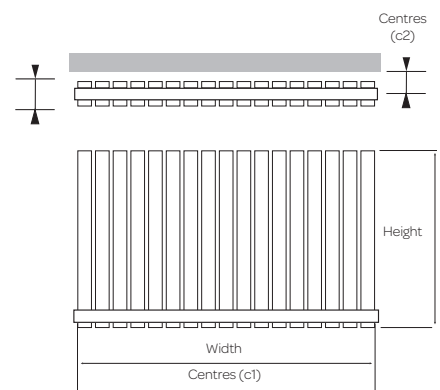
**ASP-ANG** **£43.00**

Product Code	Height (mm)	Width (mm)	Depth (mm)	Tapping Centres (mm)		Heat Output $\Delta t 60^{\circ}\text{C}$ (BTUs)	Price (£)
				(c1)	(c2)		
<b>Aspen Single</b>							
<b>ASP180-25S</b>	1800	250	63	250	50	2334	<b>679.00</b>
<b>ASP180-31S</b>	1800	310	63	310	50	2918	<b>819.00</b>
<b>ASP180-45S</b>	1800	450	63	450	50	4059	<b>1100.00</b>
<b>ASP180-56S</b>	1800	560	63	560	50	5248	<b>1379.00</b>
<b>Aspen Double</b>							
<b>ASP180-25D</b>	1800	250	88	250	70	4552	<b>1176.00</b>
<b>ASP180-31D</b>	1800	310	88	310	70	5690	<b>1509.00</b>
<b>ASP180-45D</b>	1800	450	88	450	70	7916	<b>2098.00</b>
<b>ASP180-56D</b>	1800	560	88	560	70	10234	<b>2544.00</b>





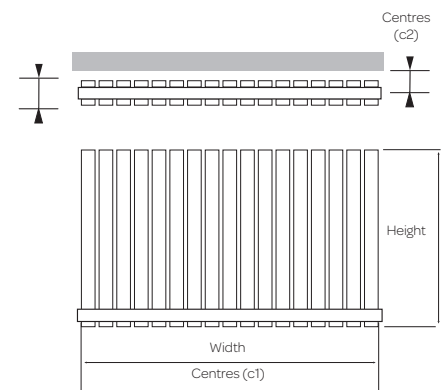
Product Code	Height (mm)	Width (mm)	Depth (mm)	Tapping Centres (mm)		Heat Output $\Delta t 60^{\circ}\text{C}$ (BTUs)	Price (£)
				(c1)	(c2)		
<b>Boston Single</b>							
<b>BOS60-42SA</b>	600	420	52	420	50	1295	<b>165.00</b>
<b>BOS60-63SA</b>	600	630	52	630	50	1943	<b>231.00</b>
<b>BOS60-77SA</b>	600	770	52	770	50	2375	<b>264.00</b>
<b>BOS60-91SA</b>	600	910	52	910	50	2807	<b>297.00</b>
<b>BOS60-119SA</b>	600	1190	52	1190	50	3670	<b>396.00</b>
<b>BOS60-147SA</b>	600	1470	52	1470	50	4534	<b>462.00</b>
<b>Boston Double</b>							
<b>BOS60-42DA</b>	600	420	70	420	50	2367	<b>264.00</b>
<b>BOS60-63DA</b>	600	630	70	630	50	3551	<b>363.00</b>
<b>BOS60-77DA</b>	600	770	70	770	50	4340	<b>429.00</b>
<b>BOS60-91DA</b>	600	910	70	910	50	5129	<b>495.00</b>
<b>BOS60-119DA</b>	600	1190	70	1190	50	6708	<b>594.00</b>
<b>BOS60-147DA</b>	600	1470	70	1470	50	8286	<b>719.00</b>







Product Code	Height (mm)	Width (mm)	Depth (mm)	Tapping Centres (mm)		Heat Output $\Delta t 60^{\circ}\text{C}$ (BTUs)	Price (£)
				(c1)	(c2)		
<b>Boston Single</b>							
<b>BOS60-42SW</b>	600	420	52	420	50	1295	<b>165.00</b>
<b>BOS60-63SW</b>	600	630	52	630	50	1943	<b>231.00</b>
<b>BOS60-77SW</b>	600	770	52	770	50	2375	<b>264.00</b>
<b>BOS60-91SW</b>	600	910	52	910	50	2807	<b>297.00</b>
<b>BOS60-119SW</b>	600	1190	52	1190	50	3670	<b>396.00</b>
<b>BOS60-147SW</b>	600	1470	52	1470	50	4534	<b>462.00</b>
<b>Boston Double</b>							
<b>BOS60-42DW</b>	600	420	70	420	50	2367	<b>264.00</b>
<b>BOS60-63DW</b>	600	630	70	630	50	3551	<b>363.00</b>
<b>BOS60-77DW</b>	600	770	70	770	50	4340	<b>429.00</b>
<b>BOS60-91DW</b>	600	910	70	910	50	5129	<b>495.00</b>
<b>BOS60-119DW</b>	600	1190	70	1190	50	6708	<b>594.00</b>
<b>BOS60-147DW</b>	600	1470	70	1470	50	8286	<b>719.00</b>





**Featured valves**

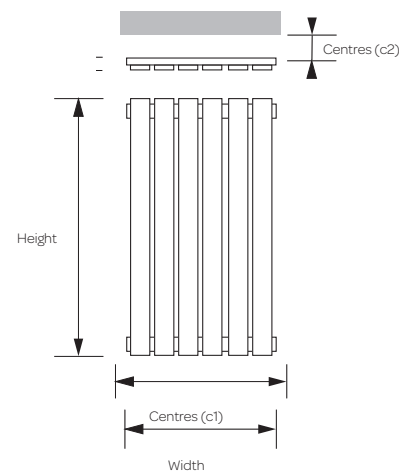
MODERN VALVES CHROME (PAIR)  
STRAIGHT

**KART-STR £18.00**

ANGLED

**KART-ANG £18.00**

Product Code	Height (mm)	Width (mm)	Tapping Centres (mm) (c1)	Tapping Centres (mm) (c2)	Heat Output $\Delta t60^{\circ}\text{C}$ (BTUs)	Price (£)
<b>1600 Series Single</b>						
<b>BOS1600-410W</b>	1600	410	370	50	3240	<b>316.00</b>
<b>BOS1600-480W</b>	1600	480	440	50	3781	<b>364.00</b>
<b>BOS1600-550W</b>	1600	550	510	50	4322	<b>407.00</b>
<b>1800 Series Single</b>						
<b>BOS1800-410W</b>	1800	410	370	50	3616	<b>343.00</b>
<b>BOS1800-480W</b>	1800	480	440	50	4219	<b>394.00</b>
<b>BOS1800-550W</b>	1800	550	510	50	4823	<b>439.00</b>
<b>1800 Series Double</b>						
<b>BOS1800-410DW</b>	1800	410	370	50	6254	<b>399.00</b>
<b>BOS1800-480DW</b>	1800	480	440	50	7298	<b>490.00</b>
<b>BOS1800-550DW</b>	1800	550	510	50	8338	<b>510.00</b>







**Featured valves**

CUBE VALVES (PAIR)  
STRAIGHT

**CUBE-STR**

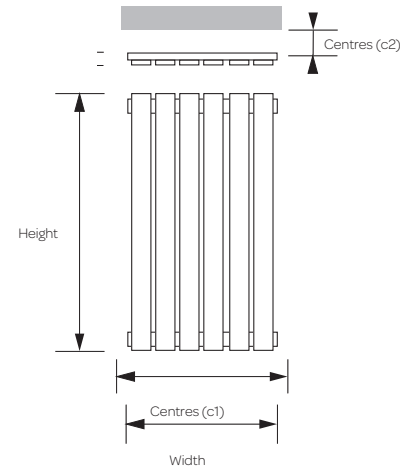
**£24.00**

ANGLED

**CUBE-ANG**

**£24.00**

Product Code	Height (mm)	Width (mm)	Tapping Centres (mm) (c1)	Tapping Centres (mm) (c2)	Heat Output $\Delta t 60^{\circ}\text{C}$ (BTUs)	Price (£)
<b>1600 Series Single</b>						
<b>BOS1600-410A</b>	1600	410	370	50	3240	<b>328.00</b>
<b>BOS1600-480A</b>	1600	480	440	50	3781	<b>378.00</b>
<b>BOS1600-550A</b>	1600	550	510	50	4322	<b>423.00</b>
<b>1800 Series Single</b>						
<b>BOS1800-410A</b>	1800	410	370	50	3616	<b>355.00</b>
<b>BOS1800-480A</b>	1800	480	440	50	4219	<b>409.00</b>
<b>BOS1800-550A</b>	1800	550	510	50	4823	<b>455.00</b>
<b>1800 Series Double</b>						
<b>BOS1800-410DA</b>	1800	410	370	50	6254	<b>423.00</b>
<b>BOS1800-480DA</b>	1800	480	440	50	7298	<b>522.00</b>
<b>BOS1800-550DA</b>	1800	550	510	50	8338	<b>546.00</b>



# LASER KLASSIC Horizontal



**5** Year Guarantee



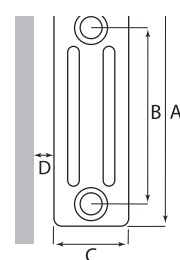
Product Code	Height (mm)	Width (mm)	Depth (mm)	C/C Tappings (mm)	No. of Sections	Heat Output $\Delta t 60^{\circ}\text{C}$ (BTUs)	Price (£)
	A		C	B			
<b>2 Columns</b>							
LCL206014-N	600	650	70	524	14	3057	<b>368.00</b>
LCL206018-N	600	830	70	524	18	3927	<b>463.00</b>
LCL206022-N	600	1010	70	524	22	4801	<b>560.00</b>
LCL206026-N	600	1190	70	524	26	5671	<b>652.00</b>
<b>3 Columns</b>							
LCL306014-N	600	650	107	524	14	4514	<b>399.00</b>
LCL306018-N	600	830	107	524	18	5807	<b>506.00</b>
LCL306022-N	600	1010	107	524	22	7093	<b>606.00</b>
LCL306026-N	600	1190	107	524	26	8383	<b>713.00</b>
<b>4 Columns</b>							
LCL404014-N	400	650	140	320	14	4268	<b>560.00</b>
LCL404018-N	400	830	140	320	18	5486	<b>713.00</b>
LCL404022-N	400	1010	140	320	22	6701	<b>867.00</b>
LCL404026-N	400	1190	140	320	26	7922	<b>1020.00</b>
LCL406014-N	600	650	140	320	14	6107	<b>452.00</b>
LCL406018-N	600	830	140	320	18	7854	<b>575.00</b>
LCL406022-N	600	1010	140	320	22	9597	<b>690.00</b>
LCL406026-N	600	1190	140	320	26	11344	<b>815.00</b>
LCL407514-N	750	650	140	670	14	7485	<b>514.00</b>
LCL407518-N	750	830	140	670	18	9628	<b>644.00</b>
LCL407522-N	750	1010	140	670	22	11767	<b>782.00</b>
LCL407526-N	750	1190	140	670	26	13907	<b>921.00</b>
<b>6 Columns</b>							
LCL603022-N	300	1010	220	220	22	13102	<b>1086.00</b>
LCL603026-N	300	1190	220	220	26	15487	<b>1257.00</b>
LCL603030-N	300	1370	220	220	30	17868	<b>1446.00</b>



## Optional feet

2 COLUMN	
<b>T2F-N</b>	<b>£110.00</b>
3 COLUMN	
<b>T3F-N</b>	<b>£110.00</b>
4 COLUMN	
<b>T4F-N</b>	<b>£110.00</b>
5 COLUMN	
<b>T5F-N</b>	<b>£110.00</b>
6 COLUMN	
<b>T6F-N</b>	<b>£110.00</b>

2 mm 45mm



D (WALL TO BACK OF RADIATOR) = 30MM/40MM  
DEPENDANT ON RADIATOR POSITION ON THE BRACKET.



**5** Year Guarantee

# Vertical **LASER KLASSIC**

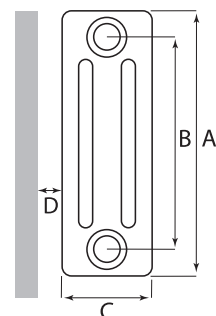
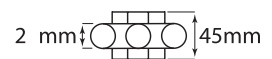


## Featured valves

TRADITIONAL CROSS HEAD VALVES  
CHROME (PAIR)

**TRAD-CROSS-ANG £29.00**

Product Code	Height (mm) A	Width (mm)	Depth (mm) C	C/C Tappings (mm) B	No. of Sections	Heat Output $\Delta t60^{\circ}\text{C}$ (BTUs)	Price (£)
<b>2 Columns</b>							
<b>LCL215007-N</b>	1500	335	70	1424	7	3600	<b>422.00</b>
<b>LCL215009-N</b>	1500	425	70	1424	9	4630	<b>537.00</b>
<b>LCL215011-N</b>	1500	515	70	1424	11	5654	<b>644.00</b>
<b>LCL218007-N</b>	1800	335	70	1724	7	4289	<b>432.00</b>
<b>LCL218009-N</b>	1800	425	70	1724	9	5517	<b>549.00</b>
<b>LCL218011-N</b>	1800	515	70	1724	11	6742	<b>660.00</b>
<b>3 Columns</b>							
<b>LCL318007-N</b>	1800	335	100	1724	7	6400	<b>506.00</b>
<b>LCL318009-N</b>	1800	425	100	1724	9	8226	<b>651.00</b>
<b>LCL318011-N</b>	1800	515	100	1724	11	10058	<b>782.00</b>



D (WALL TO BACK OF RADIATOR) = 30MM/40MM  
DEPENDANT ON RADIATOR POSITION ON THE BRACKET.



# LASER KLASSIC Horizontal Raw Metal

**5** Year Guarantee

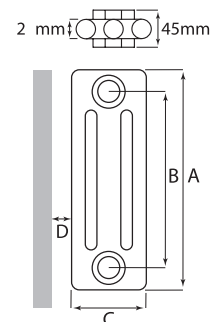


Product Code	Height (mm) A	Width (mm)	Depth (mm) C	C/C Tappings (mm) B	No. of Sections	Heat Output $\Delta t 60^{\circ}\text{C}$ (BTUs)	Price (£)
<b>2 Columns</b>							
<b>RMLCL206014-N</b>	600	650	70	524	14	3057	<b>478.00</b>
<b>RMLCL206018-N</b>	600	830	70	524	18	3927	<b>602.00</b>
<b>RMLCL206022-N</b>	600	1010	70	524	22	4801	<b>728.00</b>
<b>3 Columns</b>							
<b>RMLCL306014-N</b>	600	650	100	524	14	4514	<b>518.00</b>
<b>RMLCL306018-N</b>	600	830	100	524	18	5807	<b>658.00</b>
<b>RMLCL306022-N</b>	600	1010	100	524	22	7093	<b>788.00</b>
<b>RMLCL306026-N</b>	600	1190	100	524	26	8383	<b>928.00</b>
<b>4 Columns</b>							
<b>RMLCL406026-N</b>	600	1190	140	520	26	11344	<b>1059.00</b>



**Optional feet**  
adds 120mm to the height

- 2 COLUMN  
**RMT2F-N** **£143.00**
- 3 COLUMN  
**RMT3F-N** **£143.00**
- 4 COLUMN  
**RMT4F-N** **£143.00**



D (WALL TO BACK OF RADIATOR) = 30MM/40MM DEPENDANT ON RADIATOR POSITION ON THE BRACKET.

PRINTED COLOURS IN THIS PUBLICATION, WHILST A GOOD REFLECTION, MAY NOT BE AN EXACT MATCH TO THE FINISHED PRODUCTS.



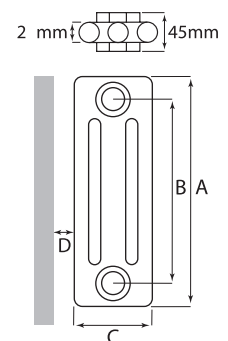
**5** 5 Year  
Guarantee

Vertical Raw Metal **LASER KLASSIC** ⋮



Product Code	Height (mm) A	Width (mm)	Depth (mm) C	C/C Tappings (mm) B	No. of Sections	Heat Output $\Delta t60^{\circ}\text{C}$ (BTUs)	Price (£)
<b>2 Columns</b>							
<b>RMLCL218007-N</b>	1800	335	70	1724	7	4289	<b>562.00</b>
<b>RMLCL218009-N</b>	1800	425	70	1724	9	5517	<b>714.00</b>
<b>RMLCL218011-N</b>	1800	515	70	1724	11	6742	<b>858.00</b>

PRINTED COLOURS IN THIS PUBLICATION, WHILST A GOOD REFLECTION, MAY NOT BE AN EXACT MATCH TO THE FINISHED PRODUCTS.




D (WALL TO BACK OF RADIATOR) = 30MM/40MM DEPENDANT ON RADIATOR POSITION ON THE BRACKET.

# LASER KLASSIC Horizontal Anthracite

**M** Matt Finish

**5** 5 Year Guarantee

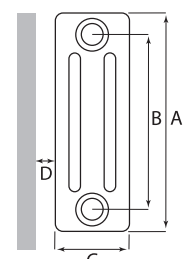


Product Code	Height (mm)	Width (mm)	Depth (mm)	C/C Tappings (mm)	No. of Sections	Heat Output $\Delta t_{60^\circ\text{C}}$ (BTUs)	Price (£)
	A		C	B			
<b>2 Columns</b>							
 <b>ALCL206014-N</b>	600	650	70	524	14	3057	<b>478.00</b>
<b>ALCL206018-N</b>	600	830	70	524	18	3927	<b>602.00</b>
<b>ALCL206022-N</b>	600	1010	70	524	22	4801	<b>728.00</b>
<b>3 Columns</b>							
 <b>ALCL306014-N</b>	600	650	100	524	14	4514	<b>518.00</b>
<b>ALCL306018-N</b>	600	830	100	524	18	5807	<b>658.00</b>
<b>ALCL306022-N</b>	600	1010	100	524	22	7093	<b>788.00</b>
<b>ALCL306026-N</b>	600	1190	100	524	26	8383	<b>928.00</b>
<b>4 Columns</b>							
 <b>ALCL406026-N</b>	600	1190	140	520	26	11344	<b>1059.00</b>



**Optional feet**  
adds 120mm to the height

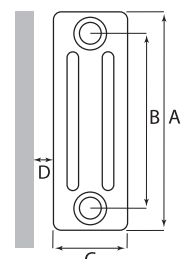
- 2 COLUMN  
**AT2F-N** **£143.00**
- 3 COLUMN  
**AT3F-N** **£143.00**
- 4 COLUMN  
**AT4F-N** **£143.00**



D (WALL TO BACK OF RADIATOR) = 30MM/40MM DEPENDANT ON RADIATOR POSITION ON THE BRACKET.



Product Code	Height (mm)	Width (mm)	Depth (mm)	C/C Tappings (mm)	No. of Sections	Heat Output $\Delta t 60^{\circ}\text{C}$ (BTUs)	Price (£)
	A		C	B			
<b>2 Columns</b>							
<b>ALCL218007-N</b>	1800	335	70	1724	7	4289	<b>562.00</b>
<b>ALCL218009-N</b>	1800	425	70	1724	9	5517	<b>714.00</b>
<b>ALCL218011-N</b>	1800	515	70	1724	11	6742	<b>858.00</b>



D (WALL TO BACK OF RADIATOR) = 30MM/40MM DEPENDANT ON RADIATOR POSITION ON THE BRACKET.



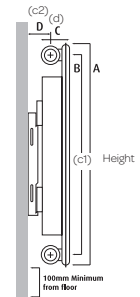
# K-FLAT KOMPACT Horizontal



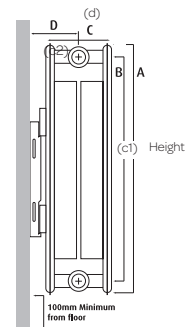
**10** 10 Year Guarantee



Type 11 Single Convactor



Type 22 Double Convactor



## Type 11 · Single Convactor

Code	Width (mm)	Depth (mm)	Tapping Centres (mm)		Output $\Delta t 60^{\circ}\text{C}$ (BTUs)	Price (£)
			(c1)	(c2)		
<b>400 mm high</b>						
<b>KS406F</b>	600	56	345	40 or 55	1586	<b>233.69</b>
<b>KS408F</b>	800	56	345	40 or 55	2115	<b>276.82</b>
<b>KS410F</b>	1000	56	345	40 or 55	2644	<b>320.33</b>
<b>KS412F</b>	1200	56	345	40 or 55	3173	<b>371.45</b>
<b>KS414F</b>	1400	56	345	40 or 55	3701	<b>411.31</b>
<b>KS416F</b>	1600	56	345	40 or 55	4230	<b>457.66</b>
<b>500 mm high</b>						
<b>KS504F</b>	400	56	445	40 or 55	1279	<b>220.55</b>
<b>KS506F</b>	600	56	445	40 or 55	1918	<b>259.98</b>
<b>KS508F</b>	800	56	445	40 or 55	2558	<b>311.94</b>
<b>KS510F</b>	1000	56	445	40 or 55	3197	<b>365.20</b>
<b>KS512F</b>	1200	56	445	40 or 55	3837	<b>427.04</b>
<b>KS514F</b>	1400	56	445	40 or 55	4476	<b>474.28</b>
<b>KS516F</b>	1600	56	445	40 or 55	5116	<b>520.18</b>
<b>600 mm high</b>						
<b>KS604F</b>	400	56	545	40 or 55	1489	<b>235.83</b>
<b>KS606F</b>	600	56	545	40 or 55	2233	<b>282.39</b>
<b>KS608F</b>	800	56	545	40 or 55	2977	<b>343.20</b>
<b>KS610F</b>	1000	56	545	40 or 55	3722	<b>404.21</b>
<b>KS612F</b>	1200	56	545	40 or 55	4466	<b>454.41</b>
<b>KS614F</b>	1400	56	545	40 or 55	5211	<b>529.24</b>
<b>KS616F</b>	1600	56	545	40 or 55	5955	<b>582.47</b>
<b>KS618F</b>	1800	56	545	40 or 55	6699	<b>634.01</b>
<b>KS620F</b>	2000	56	545	40 or 55	7444	<b>686.17</b>

## Type 22 · Double Convactor

Code	Width (mm)	Depth (mm)	Tapping Centres (mm)		Output $\Delta t 60^{\circ}\text{C}$ (BTUs)	Price (£)
			(c1)	(c2)		
<b>400 mm high</b>						
<b>KD406F</b>	600	105	345	82.5 or 97.5	3133	<b>315.19</b>
<b>KD408F</b>	800	105	345	82.5 or 97.5	4178	<b>385.46</b>
<b>KD410F</b>	1000	105	345	82.5 or 97.5	5222	<b>455.93</b>
<b>KD412F</b>	1200	105	345	82.5 or 97.5	6266	<b>535.05</b>
<b>KD414F</b>	1400	105	345	82.5 or 97.5	7311	<b>601.46</b>
<b>KD416F</b>	1600	105	345	82.5 or 97.5	8355	<b>675.17</b>
<b>500 mm high</b>						
<b>KD504F</b>	400	105	445	82.5 or 97.5	2499	<b>292.75</b>
<b>KD506F</b>	600	105	445	82.5 or 97.5	3748	<b>360.65</b>
<b>KD508F</b>	800	105	445	82.5 or 97.5	4997	<b>446.68</b>
<b>KD510F</b>	1000	105	445	82.5 or 97.5	6247	<b>533.33</b>
<b>KD512F</b>	1200	105	445	82.5 or 97.5	7496	<b>628.40</b>
<b>KD514F</b>	1400	105	445	82.5 or 97.5	8746	<b>709.23</b>
<b>KD516F</b>	1600	105	445	82.5 or 97.5	9995	<b>788.99</b>
<b>600 mm high</b>						
<b>KD604F</b>	400	105	545	82.5 or 97.5	2876	<b>323.37</b>
<b>KD606F</b>	600	105	545	82.5 or 97.5	4314	<b>404.21</b>
<b>KD608F</b>	800	105	545	82.5 or 97.5	5752	<b>506.37</b>
<b>KD610F</b>	1000	105	545	82.5 or 97.5	7190	<b>608.13</b>
<b>KD612F</b>	1200	105	545	82.5 or 97.5	8627	<b>718.73</b>
<b>KD614F</b>	1400	105	545	82.5 or 97.5	10065	<b>814.65</b>
<b>KD616F</b>	1600	105	545	82.5 or 97.5	11503	<b>909.08</b>
<b>KD618F</b>	1800	105	545	82.5 or 97.5	12941	<b>1,001.33</b>
<b>KD620F</b>	2000	105	545	82.5 or 97.5	14379	<b>1,094.69</b>



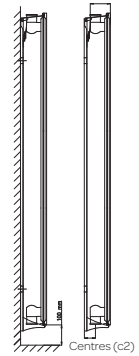


**10** 10 Year Guarantee

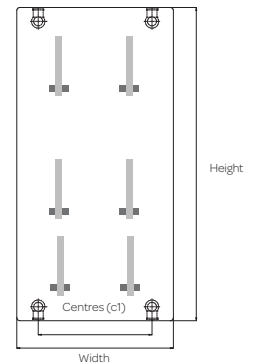
# Vertical **K-FLAT KOMPACT**



Type 10 Vertical Flat Radiator



Type 20 Vertical Flat radiator



Sizes indicated may vary by + or - 2mm

## Type 10 • Single Panel \*

Code	Width (mm)	Depth (mm)	Tapping Centres (mm)		Output $\Delta t 60^\circ\text{C}$ (BTUs)	Price (£)
			(c1)	(c2)		
<b>1800 mm high</b>						
<b>SV318F</b>	300	52.5	245	23	1672	<b>422.96</b>
<b>SV418F</b>	400	52.5	345	23	2235	<b>481.36</b>
<b>SV518F</b>	500	52.5	445	23	2791	<b>541.09</b>
<b>SV618F</b>	600	52.5	545	23	3371	<b>607.47</b>

\*TYPE 10 SINGLE PANEL DESIGN DOESN'T HAVE SIDE PANELS

## Type 20 • Double Panel

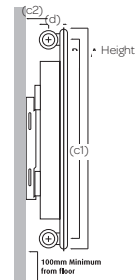
Code	Width (mm)	Depth (mm)	Tapping Centres (mm)		Output $\Delta t 60^\circ\text{C}$ (BTUs)	Price (£)
			(c1)	(c2)		
<b>1800 mm high</b>						
<b>DV318F</b>	300	72.5	245	59	2774	<b>607.47</b>
<b>DV418F</b>	400	72.5	345	59	3709	<b>693.09</b>
<b>DV518F</b>	500	72.5	445	59	4603	<b>784.05</b>
<b>DV618F</b>	600	72.5	545	59	5521	<b>868.54</b>
<b>2000 mm high</b>						
<b>DV420F</b>	400	72.5	345	59	4159	<b>742.64</b>

K-FLAT VERTICAL RADIATORS ARE SUPPLIED WITH AN OPTIONAL RETAINING STAY FOR ENHANCED SAFETY. WE STRONGLY RECOMMEND THE IMPLEMENTATION OF THE SAFETY EQUIPMENT AND WILL NOT ACCEPT RESPONSIBILITY FOR ISSUES OR DAMAGE CAUSED BY NOT USING THE RETAINING STAY.

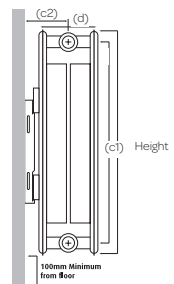
# K-FLAT PREMIUM KOMPACT Horizontal



Type 11 Single Convector



Type 22 Double Convective



## Type 11 Single Convective

Code	Width (mm)	Depth (mm)	Tapping Centres (mm)		Output $\Delta t 60^\circ\text{C}$ (BTUs)	Price (£)
			(c1)	(c2)		
<b>400 mm high</b>						
<b>KS406FP</b>	600	56	345	40 or 55	1586	<b>280.46</b>
<b>KS408FP</b>	800	56	345	40 or 55	2115	<b>332.21</b>
<b>KS410FP</b>	1000	56	345	40 or 55	2644	<b>384.39</b>
<b>KS412FP</b>	1200	56	345	40 or 55	3173	<b>445.80</b>
<b>KS414FP</b>	1400	56	345	40 or 55	3701	<b>493.45</b>
<b>KS416FP</b>	1600	56	345	40 or 55	4230	<b>549.28</b>
<b>500 mm high</b>						
<b>KS504FP</b>	400	56	445	40 or 55	1279	<b>264.71</b>
<b>KS506FP</b>	600	56	445	40 or 55	1918	<b>311.94</b>
<b>KS508FP</b>	800	56	445	40 or 55	2558	<b>374.43</b>
<b>KS510FP</b>	1000	56	445	40 or 55	3197	<b>438.05</b>
<b>KS512FP</b>	1200	56	445	40 or 55	3837	<b>512.42</b>
<b>KS514FP</b>	1400	56	445	40 or 55	4476	<b>569.10</b>
<b>KS516FP</b>	1600	56	445	40 or 55	5116	<b>624.30</b>
<b>600 mm high</b>						
<b>KS604FP</b>	400	56	545	40 or 55	1489	<b>283.06</b>
<b>KS606FP</b>	600	56	545	40 or 55	2233	<b>338.88</b>
<b>KS608FP</b>	800	56	545	40 or 55	2977	<b>411.96</b>
<b>KS610FP</b>	1000	56	545	40 or 55	3722	<b>485.04</b>
<b>KS612FP</b>	1200	56	545	40 or 55	4466	<b>545.39</b>
<b>KS614FP</b>	1400	56	545	40 or 55	5211	<b>634.88</b>
<b>KS616FP</b>	1600	56	545	40 or 55	5955	<b>699.11</b>
<b>KS618FP</b>	1800	56	545	40 or 55	6699	<b>760.75</b>
<b>KS620FP</b>	2000	56	545	40 or 55	7444	<b>823.47</b>

## Type 22 Double Convective

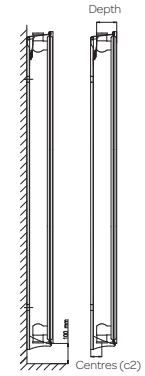
Code	Width (mm)	Depth (mm)	Tapping Centres (mm)		Output $\Delta t 60^\circ\text{C}$ (BTUs)	Price (£)
			(c1)	(c2)		
<b>400 mm high</b>						
<b>KD406FP</b>	600	105	345	82.5 or 97.5	3133	<b>378.34</b>
<b>KD408FP</b>	800	105	345	82.5 or 97.5	4178	<b>462.61</b>
<b>KD410FP</b>	1000	105	345	82.5 or 97.5	5222	<b>547.33</b>
<b>KD412FP</b>	1200	105	345	82.5 or 97.5	6266	<b>641.98</b>
<b>KD414FP</b>	1400	105	345	82.5 or 97.5	7311	<b>721.95</b>
<b>KD416FP</b>	1600	105	345	82.5 or 97.5	8355	<b>810.33</b>
<b>500 mm high</b>						
<b>KD504FP</b>	400	105	445	82.5 or 97.5	2499	<b>351.39</b>
<b>KD506FP</b>	600	105	445	82.5 or 97.5	3748	<b>432.66</b>
<b>KD508FP</b>	800	105	445	82.5 or 97.5	4997	<b>535.92</b>
<b>KD510FP</b>	1000	105	445	82.5 or 97.5	6247	<b>640.03</b>
<b>KD512FP</b>	1200	105	445	82.5 or 97.5	7496	<b>754.07</b>
<b>KD514FP</b>	1400	105	445	82.5 or 97.5	8746	<b>851.08</b>
<b>KD516FP</b>	1600	105	445	82.5 or 97.5	9995	<b>946.79</b>
<b>600 mm high</b>						
<b>KD604FP</b>	400	105	545	82.5 or 97.5	2876	<b>388.23</b>
<b>KD606FP</b>	600	105	545	82.5 or 97.5	4314	<b>485.04</b>
<b>KD608FP</b>	800	105	545	82.5 or 97.5	5752	<b>607.70</b>
<b>KD610FP</b>	1000	105	545	82.5 or 97.5	7190	<b>729.73</b>
<b>KD612FP</b>	1200	105	545	82.5 or 97.5	8627	<b>862.52</b>
<b>KD614FP</b>	1400	105	545	82.5 or 97.5	10065	<b>977.63</b>
<b>KD616FP</b>	1600	105	545	82.5 or 97.5	11503	<b>1,090.79</b>
<b>KD618FP</b>	1800	105	545	82.5 or 97.5	12941	<b>1,201.61</b>
<b>KD620FP</b>	2000	105	545	82.5 or 97.5	14379	<b>1,313.50</b>



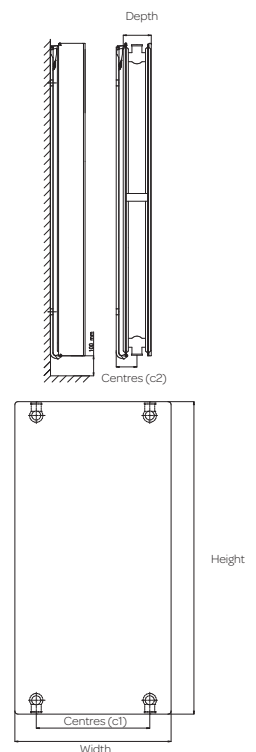
# Vertical K-FLAT PREMIUM KOMPACT



Type 10 Vertical Flat Radiator



Type 20 Vertical Flat radiator



Sizes indicated may vary by + or - 2mm

## Type 10 · Single Panel\*

Code	Width (mm)	Depth (mm)	Tapping Centres (mm)		Output $\Delta t 60^\circ\text{C}$ (BTUs)	Price (£)
			(c1)	(c2)		
<b>1800 mm high</b>						
<b>SV318FP</b>	300	52.5	245	42	1672	<b>486.33</b>
<b>SV418FP</b>	400	52.5	345	42	2235	<b>553.59</b>
<b>SV518FP</b>	500	52.5	445	42	2791	<b>622.14</b>
<b>SV618FP</b>	600	52.5	545	42	3371	<b>698.68</b>

## Type 20 · Double Panel

Code	Width (mm)	Depth (mm)	Tapping Centres (mm)		Output $\Delta t 60^\circ\text{C}$ (BTUs)	Price (£)
			(c1)	(c2)		
<b>1800 mm high</b>						
<b>DV318FP</b>	300	72.5	245	59	2774	<b>698.68</b>
<b>DV418FP</b>	400	72.5	345	59	3709	<b>796.96</b>
<b>DV518FP</b>	500	72.5	445	59	4603	<b>901.74</b>
<b>DV618FP</b>	600	72.5	545	59	5521	<b>998.75</b>

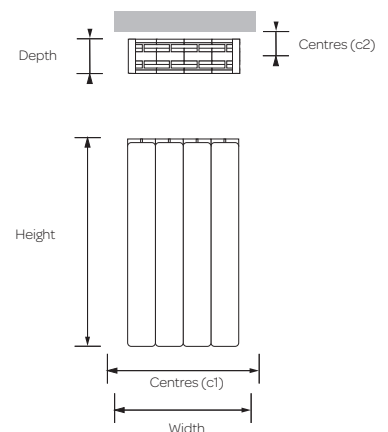
\*TYPE 10 SINGLE PANEL DESIGN DOESN'T HAVE SIDE PANELS

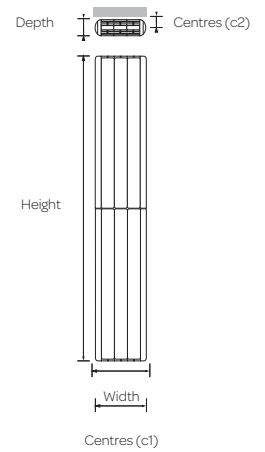
K-FLAT VERTICAL RADIATORS ARE SUPPLIED WITH AN OPTIONAL RETAINING STAY FOR ENHANCED SAFETY. WE STRONGLY RECOMMEND THE IMPLEMENTATION OF THE SAFETY EQUIPMENT AND WILL NOT ACCEPT RESPONSIBILITY FOR ISSUES OR DAMAGE CAUSED BY NOT USING THE RETAINING STAY.





Code	Width (mm)	Depth (mm)	Tapping Centres (mm)		Output $\Delta t 60^{\circ}\text{C}$ (BTUs)	Price (£)
			(c1)	(c2)		
<b>581 mm high</b>						
<b>VER500-05</b>	400	95	400	65	2538	<b>218.00</b>
<b>VER500-08</b>	640	95	640	65	4060	<b>326.00</b>
<b>VER500-10</b>	800	95	800	65	5075	<b>396.00</b>
<b>VER500-13</b>	1040	95	1040	65	6598	<b>504.00</b>
<b>VER500-15</b>	1200	95	1200	65	7613	<b>577.00</b>
<b>VER500-18</b>	1440	95	1440	65	9136	<b>689.00</b>
<b>681 mm high</b>						
<b>VER600-05</b>	400	95	400	65	3091	<b>227.00</b>
<b>VER600-08</b>	640	95	640	65	4946	<b>339.00</b>
<b>VER600-10</b>	800	95	800	65	6182	<b>415.00</b>
<b>VER600-13</b>	1040	95	1040	65	8037	<b>530.00</b>
<b>VER600-15</b>	1200	95	1200	65	9273	<b>604.00</b>
<b>VER600-18</b>	1440	95	1440	65	11128	<b>725.00</b>





Code	Width (mm)	Depth (mm)	Tapping Centres (mm)		Output $\Delta t 60^{\circ}\text{C}$ (BTUs)	Price (£)
			(c1)	(c2)		
<b>1870 mm high</b>						
<b>VER1800-03HI</b>	240	100	240	65	3691	<b>569.00</b>
<b>VER1800-04HI</b>	320	100	320	65	4922	<b>778.00</b>
<b>VER1800-05HI</b>	400	100	400	65	6152	<b>901.00</b>
<b>VER1800-06HI</b>	480	100	480	65	7382	<b>1065.00</b>
<b>VER1800-07HI</b>	560	100	560	65	8613	<b>1262.00</b>



**CI** Cast Iron

**10** 10 Year Guarantee



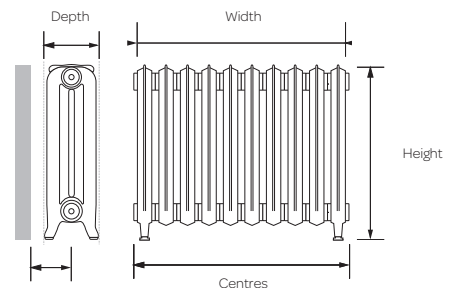
### Featured valves

NOSTALGIA THERMOSTATIC TWIN VALVE PACK

**VLVCHA-TRV**

**£80.00**

Product Code	Width (mm)	Depth (mm)	Tapping Centres (mm)		No. of Sections	Output $\Delta t60^{\circ}\text{C}$ (BTUs)	Price (£)
			(c1)	(c2)			
<b>760 mm high</b>							
<b>600/180/6</b>	456	180	476	122/132	6	3132	<b>795.00</b>
<b>954 mm high</b>							
<b>800/180/6</b>	456	180	476	122/132	6	3906	<b>1074.00</b>



SUPPLIED IN DARK GREY PRIMER (RAL7022) FOR OVER PAINTING. RAL COLOUR FINISH AVAILABLE - POA  
PLEASE ENSURE THAT YOU HAVE A JOINING KEY, TO CHECK ALL JOINTS ARE TIGHT BEFORE INSTALLING.





**CI** Cast Iron

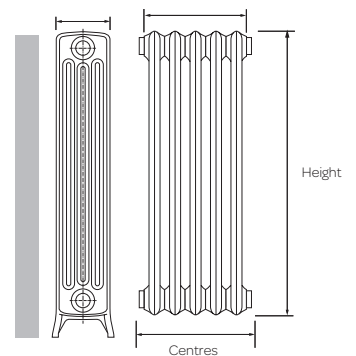
**10** 10 Year Guarantee

**LEGACY** ⋮



SHOWN FINISHED IN BLACK RAL9005

Product Code	Width (mm)	Depth (mm)	Tapping Centres (mm)	No. of Sections	Output $\Delta t60^{\circ}\text{C}$ (BTUs)	Price (£)
<b>660 mm high</b>						
<b>4/65/10</b>	600	144	620	10	4007	<b>829.00</b>
<b>4/65/13</b>	780	144	800	13	5209	<b>1083.00</b>
<b>4/65/17</b>	1020	144	1040	17	6812	<b>1403.00</b>
<b>4/65/21</b>	1260	144	1280	21	8414	<b>1723.00</b>
<b>760 mm high</b>						
<b>4/75/10</b>	600	144	620	10	4652	<b>919.00</b>
<b>4/75/13</b>	780	144	800	13	6047	<b>1201.00</b>
<b>4/75/17</b>	1020	144	1040	17	7908	<b>1557.00</b>
<b>4/75/21</b>	1260	144	1280	21	9768	<b>1913.00</b>



RAL COLOUR FINISH AVAILABLE - POA. PLEASE ENSURE THAT YOU HAVE A JOINING KEY, TO CHECK ALL JOINTS ARE TIGHT BEFORE INSTALLING.

SUPPLIED IN DARK GREY PRIMER RAL7022 FOR OVERPAINTING



### Featured valves

CUBE VALVES (PAIR)

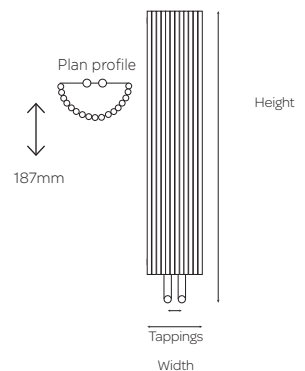
STRAIGHT

**CUBE-STR £24.00**

ANGLED

**CUBE-ANG £24.00**

Product Code	Height (mm)	Width (mm)	Tapping Centres (mm)	Output $\Delta t 60^{\circ}\text{C}$ (BTUs)	Price (£)
<b>CVG</b>	2000	351	50	4628	<b>758.00</b>

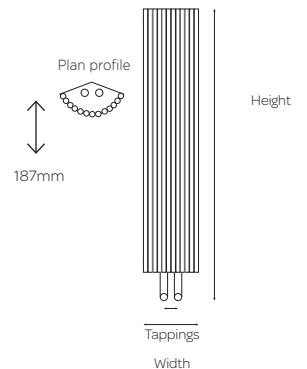




**Featured valves**

- CUBE VALVES (PAIR)
- STRAIGHT  
**CUBE-STR** **£24.00**
- ANGLED  
**CUBE-ANG** **£24.00**

Product Code	Height (mm)	Width (mm)	Tapping Centres (mm)	Output $\Delta t60^{\circ}\text{C}$ (BTUs)	Price (£)
<b>MCI</b>	2000	276	50	5369	<b>906.00</b>





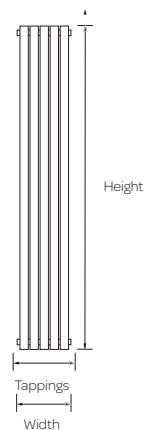


**Optional**

TOWEL HOLDER  
ZXIDA

£243.00

Product Code	Height (mm)	Width (mm)	Tapping Centres (mm)	Output $\Delta t 60^{\circ}\text{C}$ (BTUs)	Price (£)
<b>IDA15-0240</b>	1500	240	200	2667	<b>868.00</b>
<b>IDA15-0340</b>	1500	340	300	3735	<b>1214.00</b>
<b>IDA18-0240</b>	1800	240	200	3200	<b>1001.00</b>
<b>IDA18-0340</b>	1800	340	300	4483	<b>1300.00</b>
<b>IDA18-0440</b>	1800	440	400	5780	<b>1659.00</b>



Chrome  
Plated

**5** 5 Year  
Guarantee

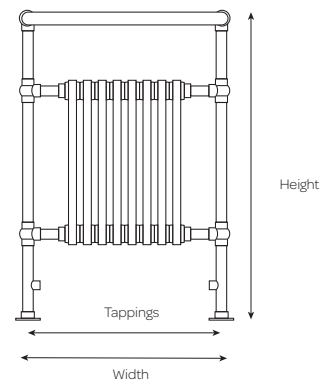
**CROWN** ⋮



### Featured valves

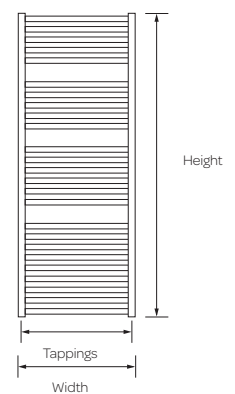
TRADITIONAL CROSS HEAD  
VALVES CHROME (PAIR)  
**TRAD-CROSS-ANG £29.00**

Product Code	Height (mm)	Width (mm)	Tapping Centres (mm)	Output $\Delta t60^{\circ}\text{C}$ (BTUs)	Price (£)
<b>LAS</b>	945	675	528	638	<b>489.00</b>
<b>LAS-1</b>	945	500	356	452	<b>469.00</b>





Product Code	Height (mm)	Width (mm)	Tapping Centres (mm)	Output $\Delta t 60^{\circ}\text{C}$ (BTUs)	Price (£)
<b>MET800-500</b>	800	500	475	1701	<b>299.00</b>
<b>MET800-600</b>	800	600	575	1841	<b>319.00</b>
<b>MET1200-500</b>	1200	500	475	2192	<b>439.00</b>
<b>MET1200-600</b>	1200	600	575	2625	<b>459.00</b>





**SS** Stainless Steel

**10** 10 Year Guarantee

**TOLEDO** ⋮



**Featured valves**

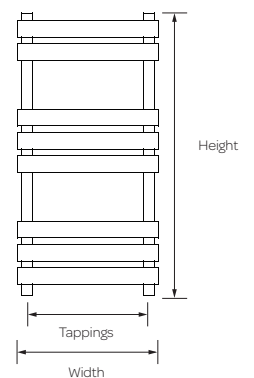
CUBE VALVES (PAIR)  
STRAIGHT

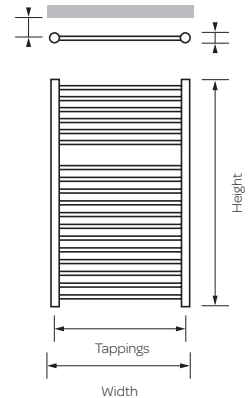
**CUBE-STR** £24.00

ANGLED

**CUBE-ANG** £24.00

Product Code	Height (mm)	Width (mm)	Tapping Centres (mm)	Output $\Delta t60^{\circ}\text{C}$ (BTUs)	Price (£)
<b>TOL500-1200</b>	1200	500	445	2770	<b>739.00</b>
<b>TOL600-1200</b>	1200	600	545	3440	<b>888.00</b>





**Straight**

Product Code	Height (mm)	Width (mm)	Tapping Centres (mm)	Output $\Delta t 60^{\circ}\text{C}$ (BTUs)	Price (£)
<b>ORL500-720</b>	720	500	468	1556	<b>407.00</b>
<b>ORL600-720</b>	720	600	568	1682	<b>471.00</b>
<b>ORL500-1200</b>	1200	500	468	2410	<b>606.00</b>
<b>ORL600-1200</b>	1200	600	568	2564	<b>650.00</b>
<b>ORL500-1500</b>	1500	500	468	2853	<b>736.00</b>
<b>ORL600-1500</b>	1500	600	568	3022	<b>780.00</b>

**Curved**

Product Code	Height (mm)	Width (mm)	Tapping Centres (mm)	Output $\Delta t 60^{\circ}\text{C}$ (BTUs)	Price (£)
<b>ORL500-720C</b>	720	500	468	1556	<b>464.00</b>
<b>ORL600-720C</b>	720	600	568	1682	<b>508.00</b>
<b>ORL500-1200C</b>	1200	500	468	2140	<b>679.00</b>
<b>ORL600-1200C</b>	1200	600	568	2564	<b>752.00</b>
<b>ORL500-1500C</b>	1500	500	468	2853	<b>805.00</b>

**SS** Stainless Steel

**10** 10 Year Guarantee

**OHIO** ⋮



**Featured valves**

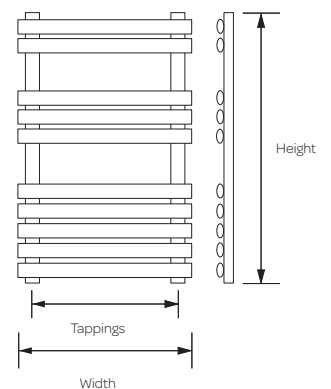
ASPEN VALVES (PAIR)  
STRAIGHT

**ASP-STR** £46.00

ANGLED

**ASP-ANG** £43.00

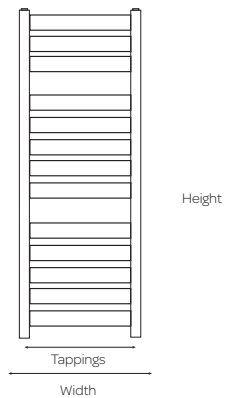
Product Code	Height (mm)	Width (mm)	Tapping Centres (mm)	Output $\Delta t 60^{\circ}\text{C}$ (BTUs)	Price (£)
<b>OHI500-800P</b>	800	500	450	2321	<b>599.00</b>
<b>OHI500-1200P</b>	1200	500	450	3480	<b>759.00</b>





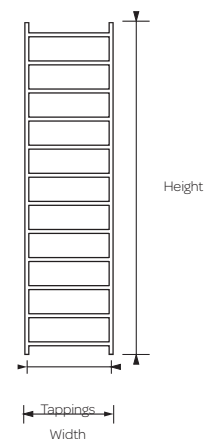


Product Code	Height (mm)	Width (mm)	Depth (mm)	Tapping Centres (mm)	Output $\Delta t_{60^\circ\text{C}}$ (BTUs)	Price (£)
<b>EWR</b>	952	500	86	462	1201	<b>349.00</b>
<b>EWR-1</b>	1306	500	86	462	1703	<b>394.00</b>



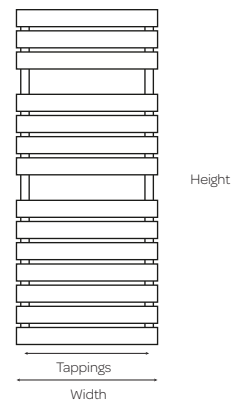


Product Code	Height (mm)	Width (mm)	Tapping Centres (mm)	Output $\Delta t60^{\circ}\text{C}$ (BTUs)	Price (£)
<b>CON500-900</b>	900	500	472	843	<b>560.00</b>
<b>CON350-1200</b>	1200	350	322	891	<b>524.00</b>
<b>CON500-1200</b>	1200	500	472	1124	<b>711.00</b>
<b>CON350-1800</b>	1800	350	322	1050	<b>693.00</b>
<b>CON500-1800</b>	1800	500	472	1323	<b>976.00</b>





Product Code	Height (mm)	Width (mm)	Tapping Centres (mm)	Output $\Delta t60^{\circ}\text{C}$ (BTUs)	Price (£)
<b>ATL500-1200A</b>	1185	500	440	2490	<b>439.00</b>

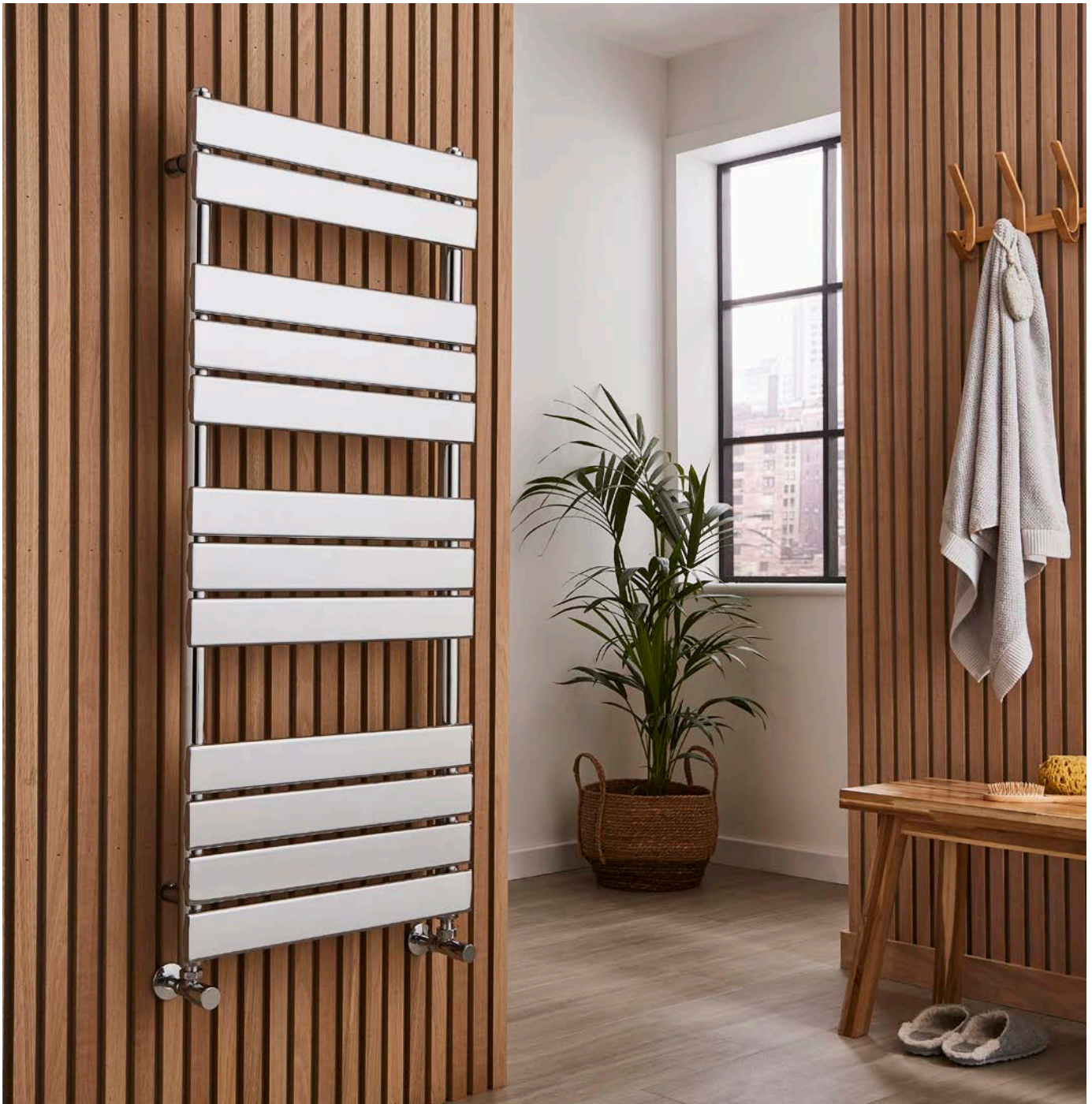




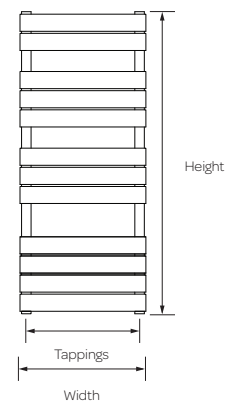
Chrome  
Plated

**5** 5 Year  
Guarantee

**MEMPHIS** ⋮



Product Code	Height (mm)	Width (mm)	Depth (mm)	Tapping Centres (mm)	Output $\Delta t 60^{\circ}\text{C}$ (BTUs)	Price (£)
<b>MEM500-1200</b>	1200	500	65	450	2079	<b>428.00</b>
<b>MEM600-1200</b>	1200	600	65	550	2390	<b>472.00</b>





**Oregon**  
CHROME PLATED

Product Code	Width (mm)	Height (mm)	Output $\Delta t60^{\circ}\text{C}$	Price
<b>ORE500-1200C</b>	500	1180	1652 BTU	<b>£449.00</b>

**Oregon**  
ANTHRACITE COLOUR • MATT FINISH

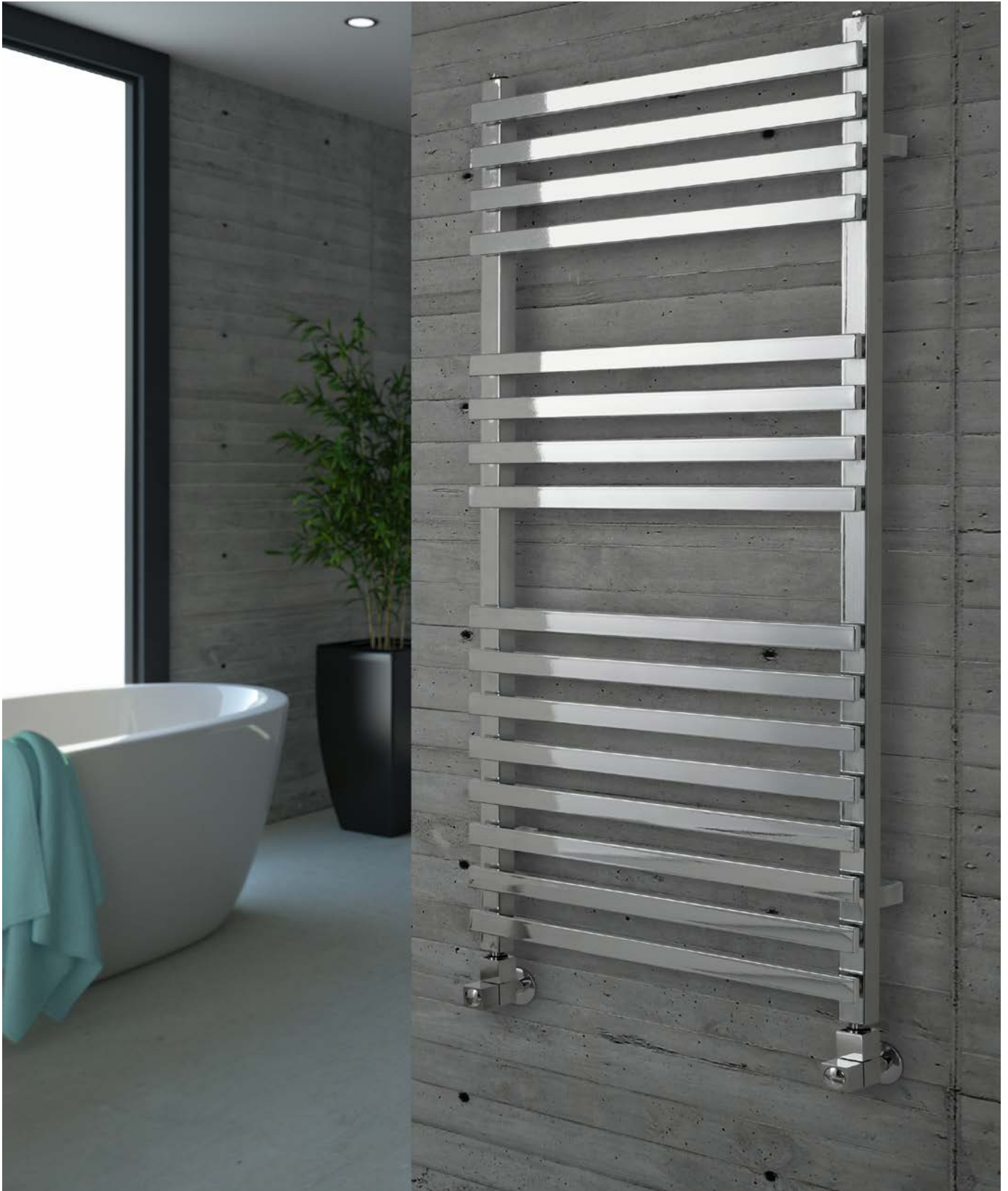
Product Code	Width (mm)	Height (mm)	Output $\Delta t60^{\circ}\text{C}$	Price
<b>ORE500-1200A</b>	500	1180	2140 BTU	<b>£449.00</b>



Chrome  
Plated

**5** 5 Year  
Guarantee

**MODE** ⋮



Product Code	Width (mm)	Height (mm)	Output $\Delta t 60^{\circ}\text{C}$	Price
<b>MOD500-800C</b>	500	800	900 BTU	<b>£339.00</b>
<b>MOD500-1200C</b>	500	1200	1400 BTU	<b>£439.00</b>



# NEW YORK

Chrome Plated

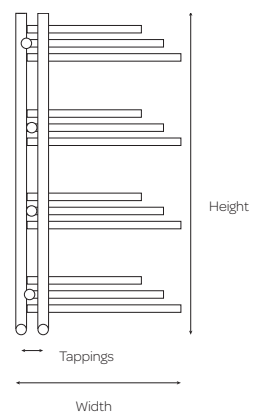
5 Year Guarantee



## New York

CHROME

Product Code	Height (mm)	Width (mm)	Tapping Centres (mm)	Output $\Delta t60^{\circ}\text{C}$ (BTUs)	Price (£)
<b>JFK</b>	906	500	100	1198	<b>379.00</b>



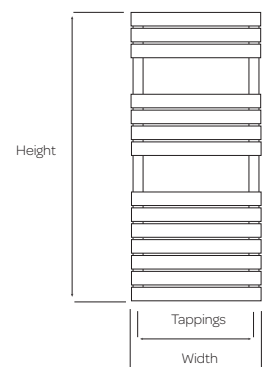
**5** 5 Year  
Guarantee

**VENETIAN** ⋮



**Venetian**  
ANTHRACITE

Product Code	Height (mm)	Width (mm)	Tapping Centres (mm)	Output $\Delta t 60^{\circ}\text{C}$ (BTUs)	Price (£)
<b>VEN850-500A</b>	850	500	450	1943	<b>359.00</b>
<b>VEN1100-500A</b>	1100	500	450	2682	<b>439.00</b>
<b>VEN1500-500A</b>	1500	500	450	3643	<b>549.00</b>



# DENVER

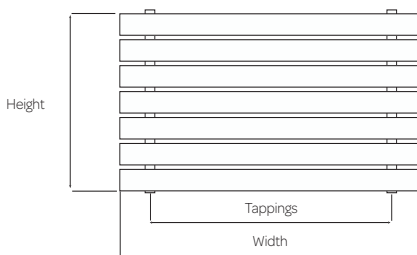
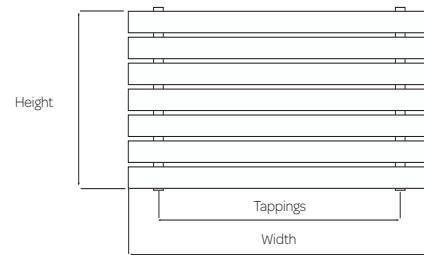
**5** 5 Year Guarantee



## Denver

WHITE

Product Code	Height (mm)	Width (mm)	Tapping Centres (mm)	Output $\Delta t 60^{\circ}\text{C}$ (BTUs)	Price (£)
<b>DEN500-600WT</b>	500	600	400	1844	<b>299.00</b>
<b>DEN500-1000WT</b>	500	1000	800	2620	<b>399.00</b>



## Denver

ANTHRACITE

Product Code	Height (mm)	Width (mm)	Tapping Centres (mm)	Output $\Delta t 60^{\circ}\text{C}$ (BTUs)	Price (£)
<b>DEN500-600A</b>	500	600	400	1844	<b>299.00</b>
<b>DEN500-1000A</b>	500	1000	800	2620	<b>399.00</b>



**5** 5 Year  
Guarantee

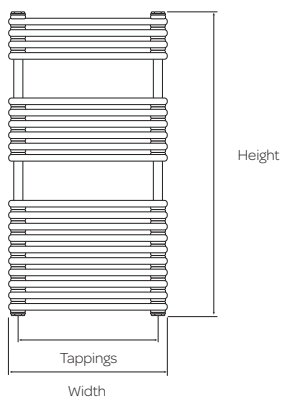
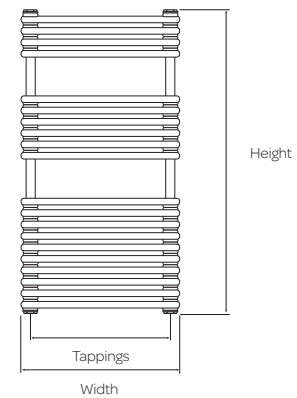
**KOLUMN** 



**Kolumn**

WHITE

Product Code	Height (mm)	Width (mm)	Tapping Centres (mm)	Output $\Delta t60^{\circ}\text{C}$ (BTUs)	Price (£)
<b>KOL832-500WT</b>	832	500	425	2186	<b>359.00</b>
<b>KOL1140-500WT</b>	1140	500	425	3295	<b>469.00</b>



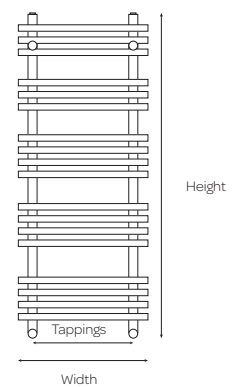
**Kolumn**

ANTHRACITE

Product Code	Height (mm)	Width (mm)	Tapping Centres (mm)	Output $\Delta t60^{\circ}\text{C}$ (BTUs)	Price (£)
<b>KOL832-500A</b>	832	500	425	2186	<b>359.00</b>
<b>KOL1140-500A</b>	1140	500	425	3295	<b>469.00</b>



Product Code	Height (mm)	Width (mm)	Tapping Centres (mm)	Output $\Delta t60^{\circ}\text{C}$ (BTUs)	Price (£)
<b>OAK</b>	916	500	300	1411	<b>359.00</b>
<b>OAK-1</b>	1176	500	300	1820	<b>399.00</b>



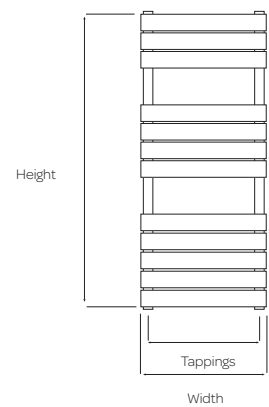
Brushed Brass

5 Year Guarantee

MALIBU



Product Code	Height (mm)	Width (mm)	Tapping Centres (mm)	Output $\Delta t60^{\circ}\text{C}$ (BTUs)	Price (£)
<b>MAL1200-500BB</b>	1200	500	450	1889	<b>£659.00</b>

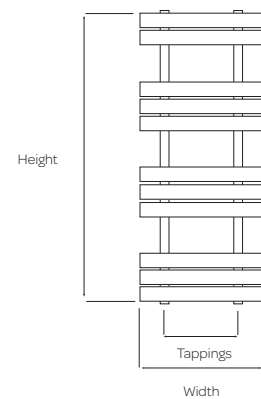






**Tampa**  
ANTHRACITE

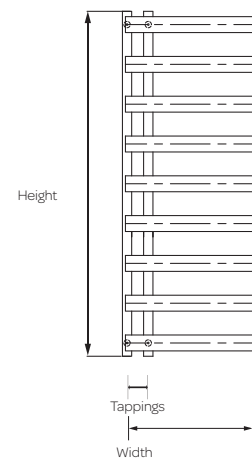
Product Code	Height (mm)	Width (mm)	Tapping Centres (mm)	Output $\Delta t60^{\circ}\text{C}$ (BTUs)	Price (£)
<b>TAM850-500A</b>	850	500	300	2047	<b>£329.00</b>
<b>TAM1200-500A</b>	1200	500	300	2833	<b>£399.00</b>





**Texas**  
ANTHRACITE

Product Code	Width (mm)	Height (mm)	Output $\Delta t60^{\circ}\text{C}$	Tapping Centres (mm)	Price
<b>TEX850-500A</b>	500	850	1703	80	<b>£299.00</b>
<b>TEX1300-500A</b>	500	1300	2566	80	<b>£379.00</b>





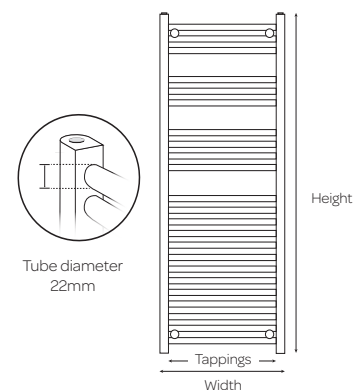
**K-RAIL** 22mm black

**M** Matt Finish

**5** 5 Year Guarantee



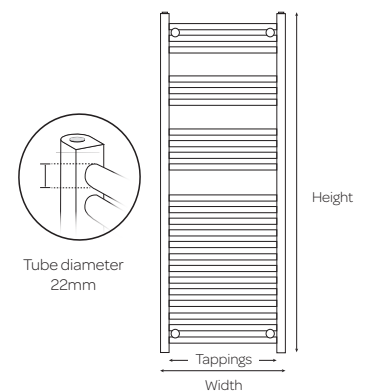
Product Code	Height (mm)	Width (mm)	Tapping Centres (mm)	Output $\Delta t60^{\circ}\text{C}$ (BTUs)	Price (£)
<b>STR408B</b>	800	400	355	1567	<b>135.00</b>
<b>STR410B</b>	1000	400	355	1868	<b>158.00</b>
<b>STR412B</b>	1200	400	355	2274	<b>175.00</b>
<b>STR416B</b>	1600	400	355	3006	<b>214.00</b>
<b>STR508B</b>	800	500	455	1856	<b>145.00</b>
<b>STR510B</b>	1000	500	455	2194	<b>167.00</b>
<b>STR512B</b>	1200	500	455	2680	<b>203.00</b>
<b>STR516B</b>	1600	500	455	3540	<b>234.00</b>
<b>STR608B</b>	800	600	555	2151	<b>155.00</b>
<b>STR610B</b>	1000	600	555	2538	<b>178.00</b>
<b>STR612B</b>	1200	600	555	3109	<b>209.00</b>
<b>STR616B</b>	1600	600	555	4105	<b>250.00</b>







Product Code	Height (mm)	Width (mm)	Tapping Centres (mm)	Output $\Delta t60^{\circ}\text{C}$ (BTUs)	Price (£)
<b>STR408A</b>	800	400	355	1567	<b>135.00</b>
<b>STR410A</b>	1000	400	355	1868	<b>158.00</b>
<b>STR412A</b>	1200	400	355	2274	<b>175.00</b>
<b>STR416A</b>	1600	400	355	3006	<b>214.00</b>
<b>STR508A</b>	800	500	455	1856	<b>145.00</b>
<b>STR510A</b>	1000	500	455	2194	<b>167.00</b>
<b>STR512A</b>	1200	500	455	2680	<b>203.00</b>
<b>STR516A</b>	1600	500	455	3540	<b>234.00</b>
<b>STR608A</b>	800	600	555	2151	<b>155.00</b>
<b>STR610A</b>	1000	600	555	2538	<b>178.00</b>
<b>STR612A</b>	1200	600	555	3109	<b>209.00</b>
<b>STR616A</b>	1600	600	555	4105	<b>250.00</b>



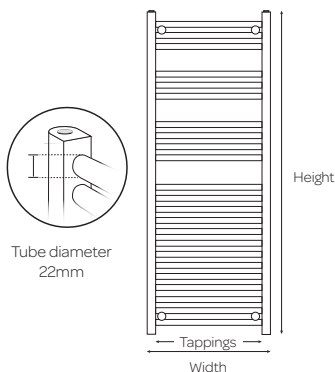


**Straight 22mm**

Product Code	Width (mm)	Height (mm)	Tapping Centres (mm)	Output $\Delta t60^{\circ}\text{C}$ (BTUs)	Price (£)
<b>STR308W</b>	300	800	255	1364	<b>61.00</b>
<b>STR408W</b>	400	800	355	1567	<b>65.00</b>
<b>STR508W</b>	500	800	455	1856	<b>70.00</b>
<b>STR608W</b>	600	800	555	2151	<b>75.00</b>
<b>STR310W</b>	300	1000	255	1626	<b>72.00</b>
<b>STR410W</b>	400	1000	355	1868	<b>76.00</b>
<b>STR510W</b>	500	1000	455	2194	<b>83.00</b>
<b>STR610W</b>	600	1000	555	2538	<b>86.00</b>
<b>STR312W</b>	300	1200	255	1978	<b>80.00</b>
<b>STR412W</b>	400	1200	355	2274	<b>85.00</b>
<b>STR512W</b>	500	1200	455	2680	<b>93.00</b>
<b>STR612W</b>	600	1200	555	3109	<b>99.00</b>
<b>STR316W</b>	300	1600	255	2614	<b>98.00</b>
<b>STR416W</b>	400	1600	355	3006	<b>104.00</b>
<b>STR516W</b>	500	1600	455	3540	<b>114.00</b>
<b>STR616W</b>	600	1600	555	4105	<b>121.00</b>
<b>STR518W</b>	500	1800	455	4069	<b>144.00</b>
<b>STR618W</b>	600	1800	555	4720	<b>157.00</b>

**Curved 22mm**

Product Code	Width (mm)	Height (mm)	Tapping Centres (mm)	Output $\Delta t60^{\circ}\text{C}$ (BTUs)	Price (£)
<b>CTR308W</b>	300	800	255	1364	<b>65.00</b>
<b>CTR408W</b>	400	800	355	1567	<b>69.00</b>
<b>CTR508W</b>	500	800	455	1856	<b>74.00</b>
<b>CTR608W</b>	600	800	555	2151	<b>79.00</b>
<b>CTR310W</b>	300	1000	255	1626	<b>76.00</b>
<b>CTR410W</b>	400	1000	355	1868	<b>81.00</b>
<b>CTR510W</b>	500	1000	455	2194	<b>88.00</b>
<b>CTR610W</b>	600	1000	555	2538	<b>91.00</b>
<b>CTR312W</b>	300	1200	255	1978	<b>85.00</b>
<b>CTR412W</b>	400	1200	355	2274	<b>90.00</b>
<b>CTR512W</b>	500	1200	455	2680	<b>99.00</b>
<b>CTR612W</b>	600	1200	555	3109	<b>104.00</b>
<b>CTR316W</b>	300	1600	255	2614	<b>104.00</b>
<b>CTR416W</b>	400	1600	355	3006	<b>108.00</b>
<b>CTR516W</b>	500	1600	455	3540	<b>118.00</b>
<b>CTR616W</b>	600	1600	555	4105	<b>126.00</b>
<b>CTR518W</b>	500	1800	455	4069	<b>152.00</b>
<b>CTR618W</b>	600	1800	555	4720	<b>166.00</b>



NOTES: MAX OPERATING PRESSURE 7 BAR.



Chrome  
Plated

**5** 5 Year  
Guarantee

22mm chrome **K-RAIL**

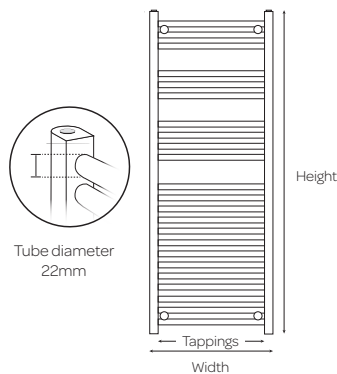


### Straight 22mm

Product Code	Width (mm)	Height (mm)	Tapping Centres (mm)	Output $\Delta t60^{\circ}\text{C}$ (BTUs)	Price (£)
<b>STR308C</b>	300	800	255	957	<b>89.00</b>
<b>STR408C</b>	400	800	355	1100	<b>94.00</b>
<b>STR508C</b>	500	800	455	1302	<b>101.00</b>
<b>STR608C</b>	600	800	555	1509	<b>108.00</b>
<b>STR310C</b>	300	1000	255	1140	<b>104.00</b>
<b>STR410C</b>	400	1000	355	1311	<b>110.00</b>
<b>STR510C</b>	500	1000	455	1540	<b>120.00</b>
<b>STR610C</b>	600	1000	555	1781	<b>125.00</b>
<b>STR312C</b>	300	1200	255	1388	<b>116.00</b>
<b>STR412C</b>	400	1200	355	1595	<b>123.00</b>
<b>STR512C</b>	500	1200	455	1881	<b>135.00</b>
<b>STR612C</b>	600	1200	555	2182	<b>144.00</b>
<b>STR316C</b>	300	1600	255	1835	<b>143.00</b>
<b>STR416C</b>	400	1600	355	2108	<b>151.00</b>
<b>STR516C</b>	500	1600	455	2484	<b>165.00</b>
<b>STR616C</b>	600	1600	555	2881	<b>176.00</b>
<b>STR518C</b>	500	1800	455	2855	<b>208.00</b>
<b>STR618C</b>	600	1800	555	3312	<b>227.00</b>

### Curved 22mm

Product Code	Width (mm)	Height (mm)	Tapping Centres (mm)	Output $\Delta t60^{\circ}\text{C}$ (BTUs)	Price (£)
<b>CTR308C</b>	300	800	255	957	<b>94.00</b>
<b>CTR408C</b>	400	800	355	1100	<b>100.00</b>
<b>CTR508C</b>	500	800	455	1302	<b>107.00</b>
<b>CTR608C</b>	600	800	555	1509	<b>114.00</b>
<b>CTR310C</b>	300	1000	255	1140	<b>111.00</b>
<b>CTR410C</b>	400	1000	355	1311	<b>117.00</b>
<b>CTR510C</b>	500	1000	455	1540	<b>128.00</b>
<b>CTR610C</b>	600	1000	555	1781	<b>132.00</b>
<b>CTR312C</b>	300	1200	255	1388	<b>123.00</b>
<b>CTR412C</b>	400	1200	355	1595	<b>131.00</b>
<b>CTR512C</b>	500	1200	455	1881	<b>143.00</b>
<b>CTR612C</b>	600	1200	555	2182	<b>153.00</b>
<b>CTR316C</b>	300	1600	255	1835	<b>151.00</b>
<b>CTR416C</b>	400	1600	355	2108	<b>157.00</b>
<b>CTR516C</b>	500	1600	455	2484	<b>171.00</b>
<b>CTR616C</b>	600	1600	555	2881	<b>182.00</b>
<b>CTR518C</b>	500	1800	455	2855	<b>221.00</b>
<b>CTR618C</b>	600	1800	555	3312	<b>241.00</b>



NOTES: MAX OPERATING PRESSURE 7 BAR.



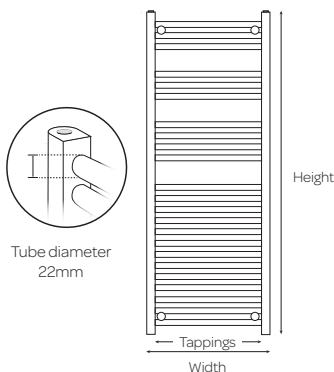


**Straight 25mm**

Product Code	Width (mm)	Height (mm)	Tapping Centres (mm)	Output $\Delta t60^{\circ}\text{C}$ (BTUs)	Price (£)
<b>25STR308C</b>	300	800	255	1106	<b>118.00</b>
<b>25STR408C</b>	400	800	355	1272	<b>123.00</b>
<b>25STR508C</b>	500	800	455	1506	<b>132.00</b>
<b>25STR608C</b>	600	800	555	1746	<b>137.00</b>
<b>25STR310C</b>	300	1000	255	1319	<b>132.00</b>
<b>25STR410C</b>	400	1000	355	1516	<b>137.00</b>
<b>25STR510C</b>	500	1000	455	1781	<b>146.00</b>
<b>25STR610C</b>	600	1000	555	2060	<b>151.00</b>
<b>25STR312C</b>	300	1200	255	1605	<b>146.00</b>
<b>25STR412C</b>	400	1200	355	1845	<b>151.00</b>
<b>25STR512C</b>	500	1200	455	2175	<b>160.00</b>
<b>25STR612C</b>	600	1200	555	2524	<b>164.00</b>
<b>25STR316C</b>	300	1600	255	2122	<b>174.00</b>
<b>25STR416C</b>	400	1600	355	2439	<b>169.00</b>
<b>25STR516C</b>	500	1600	455	2873	<b>188.00</b>
<b>25STR616C</b>	600	1600	555	3332	<b>206.00</b>
<b>25STR518C</b>	500	1800	455	3302	<b>244.00</b>
<b>25STR618C</b>	600	1800	555	3830	<b>262.00</b>

**Curved 25mm**

Product Code	Width (mm)	Height (mm)	Tapping Centres (mm)	Output $\Delta t60^{\circ}\text{C}$ (BTUs)	Price (£)
<b>25CTR308C</b>	300	800	255	1106	<b>125.00</b>
<b>25CTR408C</b>	400	800	355	1272	<b>130.00</b>
<b>25CTR508C</b>	500	800	455	1506	<b>146.00</b>
<b>25CTR608C</b>	600	800	555	1746	<b>151.00</b>
<b>25CTR310C</b>	300	1000	255	1319	<b>139.00</b>
<b>25CTR410C</b>	400	1000	355	1516	<b>144.00</b>
<b>25CTR510C</b>	500	1000	455	1781	<b>154.00</b>
<b>25CTR610C</b>	600	1000	555	2060	<b>158.00</b>
<b>25CTR312C</b>	300	1200	255	1605	<b>154.00</b>
<b>25CTR412C</b>	400	1200	355	1845	<b>158.00</b>
<b>25CTR512C</b>	500	1200	455	2175	<b>168.00</b>
<b>25CTR612C</b>	600	1200	555	2524	<b>172.00</b>
<b>25CTR316C</b>	300	1600	255	2122	<b>188.00</b>
<b>25CTR416C</b>	400	1600	355	2439	<b>193.00</b>
<b>25CTR516C</b>	500	1600	455	3302	<b>202.00</b>
<b>25CTR616C</b>	600	1600	555	3332	<b>220.00</b>
<b>25CTR518C</b>	500	1800	455	3302	<b>258.00</b>
<b>25CTR618C</b>	600	1800	555	3830	<b>276.00</b>



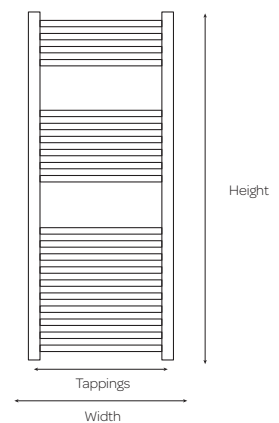
Chrome  
Plated

**5** 5 Year  
Guarantee

25mm chrome **K-SQUARE** 



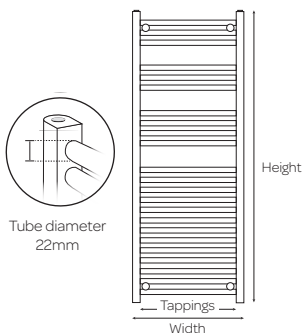
Product Code	Height (mm)	Width (mm)	Tapping Centres (mm)	Output $\Delta t 60^{\circ}\text{C}$ (BTUs)	Price (£)
<b>SQR508C</b>	800	500	455	1310	<b>222.00</b>
<b>SQR608C</b>	800	600	555	1520	<b>250.00</b>
<b>SQR512C</b>	1200	500	455	1910	<b>306.00</b>
<b>SQR612C</b>	1200	600	555	2200	<b>334.00</b>
<b>SQR516C</b>	1600	500	455	2495	<b>390.00</b>
<b>SQR616C</b>	1600	600	555	2890	<b>432.00</b>



# COLOURED K-RAILS

**G** Gloss Finish

**5** 5 Year Guarantee



NOTES: MAX OPERATING PRESSURE 7 BAR.



# COLOURED K-RAILS



**MAKE A STATEMENT WITH OUR COLOURED K-RAILS.  
AVAILABLE IN 7 BOLD COLOURS.**

- Grey (GR)  
RAL7001
- Blue (BL)  
RAL5002
- Light Blue (LB)  
RAL5024
- Red (R)  
RAL3020
- Magenta (M)  
RAL4010
- Orange (O)  
RAL2004
- Bright Yellow (Y)  
RAL1016

## Straight 22mm

Product Code	Width (mm)	Height (mm)	Output $\Delta t60^{\circ}\text{C}$	Price
<b>STR308</b>	300	800	1364	<b>£156.00</b>
<b>STR408</b>	400	800	1567	<b>£159.00</b>
<b>STR508</b>	500	800	1856	<b>£164.00</b>
<b>STR608</b>	600	800	2151	<b>£169.00</b>
<b>STR310</b>	300	1000	1626	<b>£166.00</b>
<b>STR410</b>	400	1000	1868	<b>£170.00</b>
<b>STR510</b>	500	1000	2194	<b>£177.00</b>
<b>STR610</b>	600	1000	2538	<b>£180.00</b>
<b>STR312</b>	300	1200	1978	<b>£190.00</b>
<b>STR412</b>	400	1200	2274	<b>£195.00</b>
<b>STR512</b>	500	1200	2680	<b>£203.00</b>
<b>STR612</b>	600	1200	3109	<b>£209.00</b>
<b>STR316</b>	300	1600	2614	<b>£224.00</b>
<b>STR416</b>	400	1600	3006	<b>£230.00</b>
<b>STR516</b>	500	1600	3540	<b>£240.00</b>
<b>STR616</b>	600	1600	4105	<b>£247.00</b>
<b>STR518</b>	500	1800	4069	<b>£301.00</b>
<b>STR618</b>	600	1800	4720	<b>£314.00</b>

## Curved 22mm

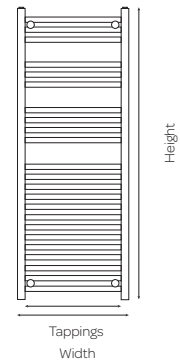
Product Code	Width (mm)	Height (mm)	Output $\Delta t60^{\circ}\text{C}$	Price
<b>CTR308</b>	300	800	1364	<b>£159.00</b>
<b>CTR408</b>	400	800	1567	<b>£163.00</b>
<b>CTR508</b>	500	800	1856	<b>£168.00</b>
<b>CTR608</b>	600	800	2151	<b>£173.00</b>
<b>CTR310</b>	300	1000	1626	<b>£171.00</b>
<b>CTR410</b>	400	1000	1868	<b>£175.00</b>
<b>CTR510</b>	500	1000	2194	<b>£182.00</b>
<b>CTR610</b>	600	1000	2538	<b>£186.00</b>
<b>CTR312</b>	300	1200	1978	<b>£195.00</b>
<b>CTR412</b>	400	1200	2274	<b>£200.00</b>
<b>CTR512</b>	500	1200	2680	<b>£209.00</b>
<b>CTR612</b>	600	1200	3109	<b>£215.00</b>
<b>CTR316</b>	300	1600	2614	<b>£230.00</b>
<b>CTR416</b>	400	1600	3006	<b>£234.00</b>
<b>CTR516</b>	500	1600	3540	<b>£244.00</b>
<b>CTR616</b>	600	1600	4105	<b>£251.00</b>
<b>CTR518</b>	500	1800	4069	<b>£309.00</b>
<b>CTR618</b>	600	1800	4720	<b>£324.00</b>

PLEASE NOTE THAT WHILE THE PRINTED COLOURS IN THIS PUBLICATION ARE A GOOD REFLECTION, THEY MAY NOT BE AN EXACT MATCH TO THE FINISHED PRODUCTS. ALL FINISHES ARE GLOSS. THIS PRODUCT IS MADE TO ORDER.

# ELECTRIC RAILS

Chrome Plated

5 Year Guarantee



## Electric Towel Rail – On/Off

Product Code	Height (mm)	Width (mm)	Tapping Centres (mm)	Element Power (W)	Price (£)
<b>Straight</b>					
<b>ESTR508C</b>	800	500	455	150	<b>225.00</b>
<b>ESTR510C</b>	1000	500	455	200	<b>259.00</b>
<b>ESTR512C</b>	1200	500	455	300	<b>293.00</b>
<b>Curved</b>					
<b>ECTR508C</b>	800	500	455	150	<b>232.00</b>
<b>ECTR510C</b>	1000	500	455	200	<b>266.00</b>
<b>ECTR512C</b>	1200	500	455	300	<b>299.00</b>

## Electric Towel Rail – Thermostatic

Product Code	Height (mm)	Width (mm)	Tapping Centres (mm)	Element Power (W)	Price (£)
<b>Straight</b>					
<b>ETSTR508C</b>	800	500	455	150	<b>285.00</b>
<b>ETSTR510C</b>	1000	500	455	150	<b>319.00</b>
<b>ETSTR512C</b>	1200	500	455	300	<b>352.00</b>
<b>Curved</b>					
<b>ETCTR508C</b>	800	500	455	150	<b>291.00</b>
<b>ETCTR510C</b>	1000	500	455	150	<b>325.00</b>
<b>ETCTR512C</b>	1200	500	455	300	<b>359.00</b>

NOTES: MAX OPERATING PRESSURE 7 BAR.

# THERMOSTATIC RADIATOR VALVES



K-DESIGN ANGLED TWIN VALVE PACK -  
CHROME  
**CR-TRV301A**

**£79.99**



K-DESIGN STRAIGHT TWIN VALVE PACK  
CHROME  
**CR-TRV201S**

**£85.00**



K-DESIGN CORNER TWIN VALVE PACK  
CHROME  
**CR-TRV101C**

**£89.99**



K-DESIGN ANGLED TWIN VALVE PACK  
BLACK  
**BK-TRV301A**

**£79.99**



K-DESIGN STRAIGHT TWIN VALVE PACK  
BLACK  
**BK-TRV201S**

**£85.00**



K-DESIGN CORNER TWIN VALVE PACK  
BLACK  
**BK-TRV101C**

**£89.99**



K-DESIGN ANGLED TWIN VALVE PACK  
ANTHRACITE  
**AN-TRV301A**

**£79.99**



K-DESIGN STRAIGHT TWIN VALVE PACK  
ANTHRACITE  
**AN-TRV201S**

**£85.00**



K-DESIGN CORNER TWIN VALVE PACK  
ANTHRACITE  
**AN-TRV101C**

**£89.99**



K-DESIGN ANGLED TWIN VALVE PACK  
WHITE  
**WT-TRV301A**

**£79.99**



K-DESIGN STRAIGHT TWIN VALVE PACK  
WHITE  
**WT-TRV201S**

**£85.00**



K-DESIGN CORNER TWIN VALVE PACK  
WHITE  
**WT-TRV101C**

**£89.99**



# ⋮ THERMOSTATIC RADIATOR VALVES



K-THERM REFINED ALL CHROME  
THERMOSTATIC VALVE  
STRAIGHT **TRVRS**  
ANGLED **TRVRAC**

**£22.00**  
**£18.00**



K-DESIGN ANGLED TWIN VALVE PACK  
BRUSHED NICKEL  
**NK-TRV301A**

**£85.00**



K-DESIGN CORNER TWIN VALVE PACK  
BRUSHED NICKEL  
**NK-TRV101C**

**£94.99**



NOSTALGIA THERMOSTATIC TWIN VALVE  
PACK  
**VLVCHA-TRV**

**£80.00**



K-DESIGN ANGLED TWIN VALVE PACK  
BRUSHED BRASS  
**BR-TRV301A**

**£85.00**



K-DESIGN CORNER TWIN VALVE PACK  
BRUSHED BRASS  
**BR-TRV101C**

**£94.99**



K-THERM STYLE ANGLED TWIN VALVE  
PACK  
**TPLSTRVSA**

**£17.00**



K-THERM REFINED ANGLED TWIN VALVE  
PACK  
**TPLSTRVRA**

**£25.00**



K-THERM REFINED THERMOSTATIC VALVE  
STRAIGHT **TRVRS**  
ANGLED **TRVRA**

**£20.00**  
**£18.00**



K-THERM STYLE THERMOSTATIC VALVE  
STRAIGHT **TRVSS**  
ANGLED **TRVSA**

**£13.00**  
**£13.00**

# MANUAL RADIATOR VALVES



MODERN VALVES CHROME (PAIR)  
STRAIGHT  
**KART-STR** £18.00  
ANGLED  
**KART-ANG** £18.00



MODERN VALVES WHITE (PAIR)  
STRAIGHT  
**WHITE-STR** £38.50  
ANGLED  
**WHITE-ANG** £38.50



MODERN VALVES ANTHRACITE (PAIR)  
STRAIGHT  
**ANTH-STR** £38.50  
ANGLED  
**ANTH-ANG** £38.50



MODERN VALVES BLACK (PAIR)  
STRAIGHT  
**BLACK-STR** £38.50  
ANGLED  
**BLACK-ANG** £38.50



CORNER VALVES (PAIR)  
**CRNV** £26.50



CORNER VALVES WHITE (PAIR)  
**CRNV-WHITE** £47.00



CORNER VALVES ANTHRACITE (PAIR)  
**CRNV-ANTH** £47.00



CORNER VALVES BLACK (PAIR)  
**CRNV-BLACK** £47.00



ASPEN VALVES (PAIR)  
STRAIGHT  
**ASP-STR** £46.00  
ANGLED  
**ASP-ANG** £43.00



DUAL FUEL CORNER VALVES FOR ELEMENTS  
**CRNV-DF** £66.00



CUBE VALVES (PAIR)  
STRAIGHT  
**CUBE-STR** £24.00  
ANGLED  
**CUBE-ANG** £24.00



TIMES MANUAL VALVES (PAIR)  
STRAIGHT  
**CROSS-STR** £25.00  
ANGLED  
**CROSS-ANG** £25.00



TRADITIONAL CROSS HEAD VALVES CHROME (PAIR)  
**TRAD-CROSS-ANG** £29.00



NOSTALGIA MANUAL VALVES (PAIR)  
**VLVCHA-AB1** £60.50



TRADITIONAL VALVES CHROME (PAIR)  
**TRAD-ANG-C** £44.00



TRADITIONAL VALVES BRASS (PAIR)  
**TRAD-ANG-B** £49.50

# ELEMENTS AND ACCESSORIES



HEATING ELEMENT CHROME

Product Code	Element Power (W)	Price (£)
<b>HE150C</b>	150	<b>63.00</b>
<b>HE300C</b>	300	<b>66.00</b>
<b>HE600C</b>	600	<b>70.00</b>



HEATING ELEMENT BLACK

Product Code	Element Power (W)	Price (£)
<b>HE150B</b>	150	<b>63.00</b>
<b>HE300B</b>	300	<b>66.00</b>
<b>HE600B</b>	600	<b>70.00</b>



HEATING ELEMENT ANTHRACITE

Product Code	Element Power (W)	Price (£)
<b>HE150A</b>	150	<b>63.00</b>
<b>HE300A</b>	300	<b>66.00</b>
<b>HE600A</b>	600	<b>70.00</b>



THERMOSTATIC HEATING ELEMENT CHROME

Product Code	Element Power (W)	Price (£)
<b>TE300C</b>	300	<b>135.00</b>
<b>TE600C</b>	600	<b>145.00</b>



THERMOSTATIC HEATING ELEMENT BLACK

Product Code	Element Power (W)	Price (£)
<b>TE300B</b>	300	<b>135.00</b>
<b>TE600B</b>	600	<b>145.00</b>



THERMOSTATIC HEATING ELEMENT ANTHRACITE

Product Code	Element Power (W)	Price (£)
<b>TE300A</b>	300	<b>135.00</b>
<b>TE600A</b>	600	<b>145.00</b>



15MM PIPES AND ROSETTES CHROME  
180MM LENGTH (PAIR)

Product Code	Price (£)
<b>CR-PIPE01</b>	<b>33.00</b>



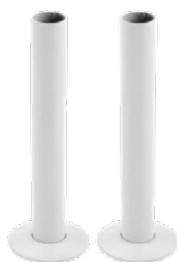
15MM PIPES AND ROSETTES BLACK  
180MM LENGTH (PAIR)

Product Code	Price (£)
<b>BK-PIPE01</b>	<b>33.00</b>



15MM PIPES AND ROSETTES ANTHRACITE  
180MM LENGTH (PAIR)

Product Code	Price (£)
<b>AN-PIPE01</b>	<b>33.00</b>



15MM PIPES AND ROSETTES WHITE  
180MM LENGTH (PAIR)

Product Code	Price (£)
<b>WT-PIPE01</b>	<b>33.00</b>



15MM PIPES AND ROSETTES BRUSHED  
NICKEL 180MM LENGTH (PAIR)

Product Code	Price (£)
<b>NK-PIPE01</b>	<b>36.00</b>



15MM PIPES AND ROSETTES BRASS  
180MM LENGTH (PAIR)

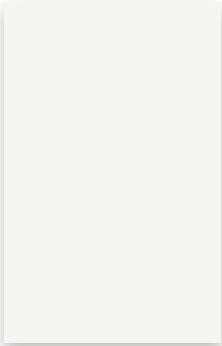
Product Code	Price (£)
<b>BR-PIPE01</b>	<b>36.00</b>



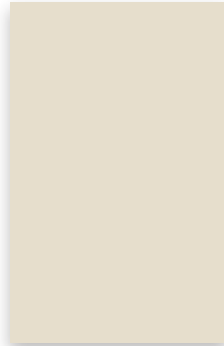


## K-RAD KOLOURS

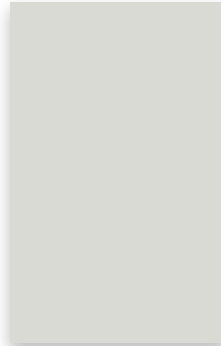
A selection of our most popular RAL colours, available on selected Designer Radiators and Towel Rails, for those that require a more unique look.



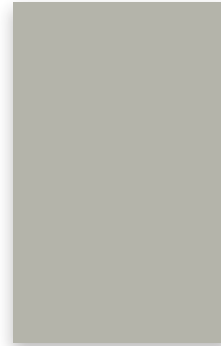
**RAL 9010**  
Pure White



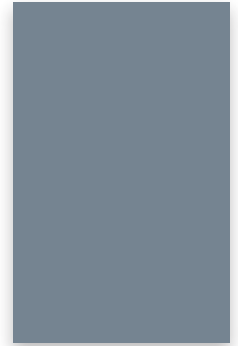
**RAL 1013**  
Oyster White



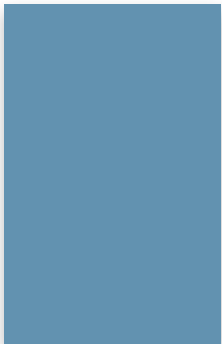
**RAL 9002**  
Grey White



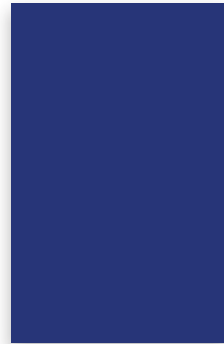
**RAL 7032**  
Pebble Grey



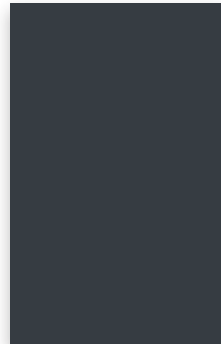
**RAL 7001**  
Silver Grey



**RAL 5024**  
Pastel Blue



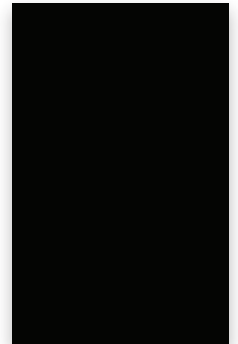
**RAL 5002**  
Ultramarine



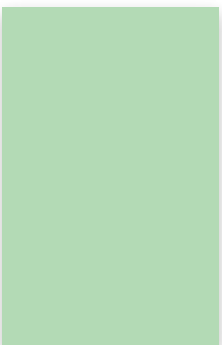
**RAL 7016**  
Anthracite



**RAL 5013**  
Cobalt Blue



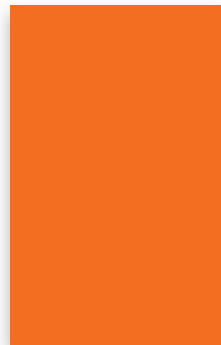
**RAL 9005**  
Jet Black



**RAL 6019**  
Pastel Green



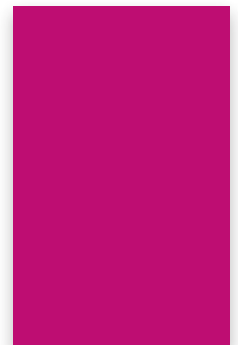
**RAL 1016**  
Sulphur Yellow



**RAL 2004**  
Brilliant Orange



**RAL 3020**  
Traffic Red



**RAL 4010**  
Telemagenta

CAST IRON & TUBULAR STEEL: £36 PER SECTION SURCHARGE FOR K-RAD KOLOURS.

K-FLATS & K-RADS: PRICE ON APPLICATION FOR K-RAD KOLOURS.

**OTHER COLOURS ONLY AVAILABLE UPON REQUEST. PLEASE CONTACT THE SALES OFFICE FOR PRICING.**

PLEASE NOTE THAT WHILE THE PRINTED COLOURS IN THIS PUBLICATION ARE A GOOD REFLECTION, THEY MAY NOT BE AN EXACT MATCH TO THE FINISHED PRODUCTS. ALL FINISHES ARE GLOSS.



16-19 The Manton Centre, Manton Lane,  
Bedford MK41 7PX

Tel: 01234 363 393 Fax: 01234 363 488

Unit 3, Greenbank Business Park, Swan Lane,  
Hindley Green, Wigan WN2 4AY

Tel: 01942 257 800 Fax: 01942 257 900

#### CUSTOMER SERVICE

For Support with Any of Our Products,  
Email [customerservice@kartelluk.com](mailto:customerservice@kartelluk.com)  
or Call 0330 808 5049

[Kartelluk.com](http://Kartelluk.com)



*Request Our  
Bathroom Brochure  
For More Interior Inspiration  
For Your Home*