

www.eastbrooktrade.com



BATHROOM COLLECTION

New Ranges To Issue 47

NEW VANITY



NEW BATHS



Our new & improved bath range



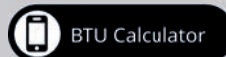
NEW RADIATORS



NEW ENCLOSURES



NEW ACCESSORIES



We have tried to ensure that all price and product information is correct at the time of going to print. However, the specifications contained in this catalogue are for information purposes only and are subject to change. Due to our ongoing policy of product development and improvement, all prices, specifications and features are subject to change without prior notice. Errors and omissions excepted.

Discover Your Bathrooms Potential

Welcome to the new edition of the Bathroom Collection. At the front of the catalogue you'll find a comprehensive overview of our range of over 5,000 products, to help you find what you're looking for.

We strive to produce a catalogue at least twice a year to ensure we have as much detailed information and newly added product ranges.

Our aim is to have visually appealing quality products for bathrooms, cloakrooms and en-suites of all shapes and sizes, and to suit all tastes and budgets.

We offer full technical backup for all customers, supported by large stocks and a dedicated single depot delivery service throughout the UK. This is to ensure all clients receive the best service from conception to completion and aftersales.

We have tried to ensure that all price and product information is correct at the time of going to print. However, the specifications contained in this catalogue are for information purposes only and are subject to change. Due to our ongoing policy of product development and improvement, all prices, specifications and features are subject to change without prior notice. We deliver all our goods on our own dedicated transport fleet to ensure a speedy and problem free service. However, in the unlikely event of a problem with any items, we would strongly recommend that customers order their goods with enough time to thoroughly check them and allow time for a replacement to be sent before installation commences. Errors and omissions excepted. As a company we encourage all of our customers to recycle all packaging from our products.

OUR NEW IMPROVED BATH COLLECTION

Ultra-strong, superior quality, yet affordable.

After more than 3 years of research and development, with a major investment in the latest technology, equipment and production facilities, **Eastbrook is proud to introduce Beaufort**, our new improved collection of exceptional baths.

Named after the Beaufort wind force scale used by the Met Office for the shipping forecast, each new line is named after a sea region around the British Isles. Relating to the strong winds and fair weather conditions in these regions, the new Beaufort collection combines the lightness

and warmth of acrylic with the strongest and best insulating materials available, to deliver the perfect bath.

With many of us spending more time at home than ever before, bathing and its restorative contribution to wellbeing and relaxation is ever more relevant. Now is the time to invest in a superior bathing experience with a new Ultra-Strong Beaufort bath. It will revitalise your bathroom space and provide the warmth and comfort you need for that long therapeutic soak.

Storm Proof. 5mm.

Beaufort

Ultra Strong. Ultra Warm.

Beauforté

Eastbrook has sold over a million baths. Through working closely with showrooms, plumbers, installers, and end-users, we have developed a thorough knowledge about what people want from their bath. The Beaufort range is the culmination of our technical and market experience combined with our practical knowledge and understanding of what a bath fitter requires.

Following a comprehensive research study, we established there was a market need for a quality acrylic bath range with Ultra-Strong attributes yet positioned at an affordable price point. This resulted in a major investment with leading UK bath manufacturer Hartford Holdings Group. Together we have developed a dedicated UK production facility for the manufacture of our affordable but luxurious 5mm and Ultra-Strong Beauforté bath collection. These are available in a wide choice of bath designs and size options to suit every bathroom space.

The Beaufort bath collection continues to build on Eastbrook's hard-won reputation for exceptional products, exceptional stock, and exceptional service.



Beaufort Bath Contents

Portland SE	48 - 51
Portland DE	52 - 53
Portland SE Twin Grip	54 - 57
Portland DE Single Grip	58 - 59
Portland Low Level SE Twin Grip	60 - 61
Portland L-Shape	62 - 65
Portland P-Shape	66 - 69
Biscay DE	70 - 71
Biscay SE Straight Edge	72 - 73
Biscay DE Straight Edge	74 - 75
Biscay Showerbath	76 - 79
Rockall SE	80 - 83
Rockall SE Twin Grip	84 - 87
Malin SE	88 - 91
Malin DE	92 - 95
Malin D-Shape Back to wall	96 - 97
Shannon L-Shape	98 - 99
Shannon P-Shape	100 - 101
Lundy Off-Set Corner	102 - 103
Wandsworth Freestanding	104
Lambeth Freestanding	105
Charlton Freestanding	106
Margravine Freestanding	107
Chislehurst Freestanding	108
Wickham Freestanding	109
Humber Freestanding	110 - 111
Stocked Whirlpool Baths	114 - 119
Bespoke Whirlpool Baths	120 - 121
Accessories & Wastes	122 - 123
Bath Panels	124 - 125

A Wave Of British Quality That Lasts

MADE IN THE UK



BEST IN CLASS MANUFACTURING

Following the best British manufacturing standards and technical innovation, Beaufort baths are manufactured in the UK with skill and precision.

All Beaufort baths are manufactured from 5mm Asterite sanitaryware grade cell cast acrylic sheet. As a result of the acrylic being cast the colour is all the way through the material rather than a top surface layer. Each bath is vacuum formed on the very latest vertical vacuum forming machines that are capable of zone heating the acrylic prior to moulding to ensure not only an even form every time but an ability to control the material thickness as it is drawn into the tool.



Storm proof standards

Following the finest traditions of British craftsmanship and technical innovation, the Beaufort line is manufactured to extracting standards meeting EN198, CE EN14516:2015 CL1 PH standards. The production moulds have been created using one of the fastest and most accurate Computer Numerical Control (CNC) systems available to machine the best quality solid aluminium bath moulds that have been milled to tolerances of 10 micrometres. Regulated temperature controls and integrated vacuum chambers ensure that each bath formed is done so in regimented conditions to ensure the perfect result every time.



Precision moulding

Our precise mould calibration delivers an impossibly silky finish, arguably the best in the market.



The Difference Is Beaufort

GALE FORCE STRENGTH

The materials from which our Beauforté baths are constructed are incredibly strong and hard wearing. This market leading reinforcement process results in a product that is as strong as a steel bath and almost double the strength of a typical acrylic bath. This result gives us a more rigid bath with no movement or flexibility when you shower or bathe.

MAINTAINS WARMTH

The standard 5mm bath is made storm proof by our proprietary fibre and resin mix. The extra reinforcement in the Beauforté adds an additional layer of insulation to the underside of the bath. This means that the warm bath temperature is retained for much longer. A long relaxing soak can be enjoyed with no need to top up with hot water, less wasteful and good for the environment.

EXTRA SUPPORT

Every Beaufort bath comes with the highest specification support system available. This has been specifically designed to handle the extra weight of the Beauforté reinforced baths but is a standard feature across the whole Beaufort range. It has five adjustable legs for precision levelling and robust wall brackets to guarantee maximum rigidity. As a result, maximum rigidity is achieved with no movement from the bath and no problems with sealing.

THE CHOICE OF THE PROFESSIONAL

Eastbrook has been selling baths for over 28 years. During this time, we have spoken to skilled installers every day and we understand that the professional bathroom fitter requires quality products that are easy and quick to install with no customer call backs. The Beauforté range is backed by a full 30-year guarantee against manufacturing faults. We are confident that you will find it's excellence and longevity unsurpassed in the market today.

MANUFACTURER'S WARRANTY



Beaufort
Storm Proof. 5mm.



Beauforté
Ultra Strong. Ultra Warm.

We've Sent Reinforcements



Photo taken at Eastbrook's warehouse 2021



Beauforté

Our Ultra-Strong, Gale Force range.

This fantastic collection of superior quality baths includes the Ultra-Strong Gale Force range, which features the added strength and rigidity of Beauforté.

Whatever the size or shape of your bathroom space, there are a wide choice of bath designs to choose from – all of which offer exceptional value for money.

Our Strongest Bath Solution

Beauforté

HOW DOES BEAUFORTÉ WORK?

Beauforté is an intensive process that adds an Ultra-Strong layer of reinforcement to the underside of each bath. This not only greatly increases the strength of the bath but also increases its heat insulation properties. It results in a bath that is as strong as a steel bath and around **45% stronger than a typical acrylic bath**.

A Beaufort bath reinforced with Beauforté is arguably the strongest and most durable acrylic bath available on the market today. This innovative bath solution offers many other practical advantages – quality design, rigidity, longevity, all combined with an exceptionally silky, warm acrylic finish.

The special layered reinforcement process of Beauforté makes these baths suitable for areas of high-use such as hotels, guest-houses, and large family homes. When fitted with the high specification support system, maximum rigidity and a perfect fit is achieved. The standard 5mm Beaufort line is made 'storm-proof' by our proprietary fibre and resin mix. The Beauforté reinforcement on the Gale Force line adds an extra layer of insulation to the underside of the bath; this means the warm bath temperature is retained for much longer. A long, relaxing soak can be enjoyed with no need to top up with hot water, good for the environment and less wasteful.



Suitable for high use facilities

The special layered reinforcement process of Beauforté makes these baths suitable for areas of high-use such as **hotels, guest-houses, and large family homes**.



Portland SINGLE ENDED

Situated in the mild depths of the English Channel, the Portland sea region is located along the Jurassic Coast, famous for its geology and striking landforms. Named after this area, the Portland bath is a stunning, minimalist bathing solution, available in both single and double ended variants, with or without grips. Featuring a modern angular design with straight sides and a sloping back, the Portland is surprisingly deep, providing a generous, warm, and relaxing bath.

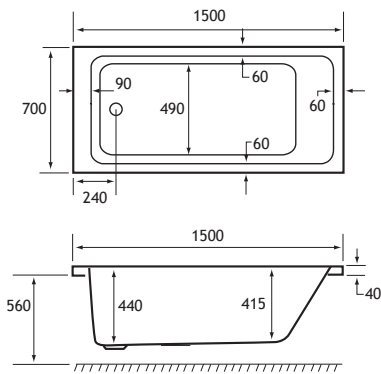
The Portland is available in a wide range of bath sizes and in a choice of thickness - 5mm acrylic or ultra-strong Beauforté, which significantly extends the life of the bath.



PRODUCT FEATURES

- 20 models
- Each available in: 5mm Acrylic & Ultra Strong Beauforté
- Supplied without pre-drilled tap holes or waste fittings
- 440mm depth on all Portland SE models
- Sloping back rest for lumbar support

1500 x 700 SE



1500 x 700 x 440mm

192 Litres

DESCRIPTION	CODE	£ EX VAT	£ INC VAT
1500 x 700 Portland - 5mm	42.0019	284.00	340.80
1500 x 700 Portland - Beauforté	42.1019	521.00	625.20
PANELS			
1500 x 560 Front Panel	42.5017	114.00	136.80
700 x 560 End Panel	42.5024	69.00	82.80
1500 x 560 Front Panel - Beauforté	42.6017	192.00	230.40
700 x 560 End Panel - Beauforté	42.6024	114.00	136.80
1500 Adjustable Front Panel - Beauforté	42.6034	277.00	332.40
1810 x 810 L Shape Flat Panel - Beauforté	42.6035	367.00	440.40



SHOWER



HEAD REST

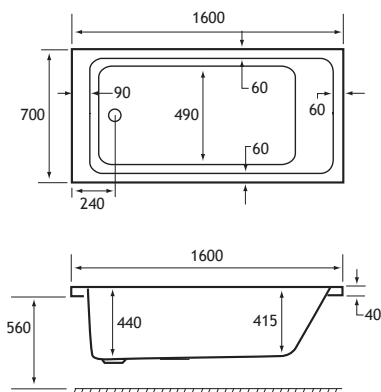


440 DEPTH



ULTRA STRONG

1600 x 700 SE



1600 x 700 x 440mm

209 Litres

DESCRIPTION	CODE	£ EX VAT	£ INC VAT
1600 x 700 Portland - 5mm	42.0018	284.00	340.80
1600 x 700 Portland - Beauforté	42.1018	521.00	625.20
PANELS			
1600 x 560 Front Panel	42.5016	114.00	136.80
700 x 560 End Panel	42.5024	69.00	82.80
1600 x 560 Front Panel - Beauforté	42.6016	192.00	230.40
700 x 560 End Panel - Beauforté	42.6024	114.00	136.80
1810 x 810 L Shape Flat Panel - Beauforté	42.6035	367.00	440.40



SHOWER



HEAD REST



440 DEPTH



ULTRA STRONG

Universal Fittings

ALL 5mm & Beauforté baths come complete with Universal Fittings such as legs, feet & wall brackets etc. Organised ready for your bath installer to fit with ease.



SINGLE ENDED Portland

Bath Screens

Page 137-145

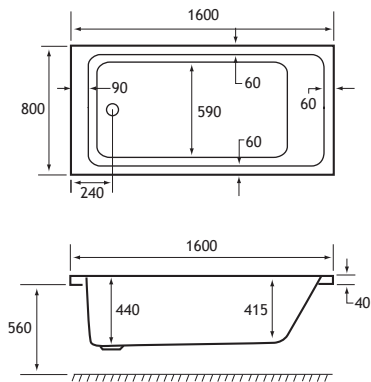


Portland SE shown. Taps for illustration

Adjustable bath panels on page 124 - 125

Portland SINGLE ENDED

1600 x 800 SE



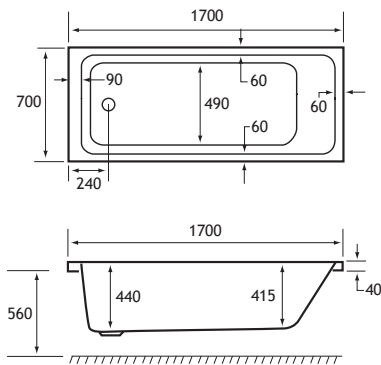
1600 x 800 x 440mm

241 Litres

DESCRIPTION	CODE	£ EX VAT	£ INC VAT
1600 x 800 SE Portland - 5mm	42.0017	387.00	464.40
1600 x 800 SE Portland - Beauforté	42.1017	671.00	805.20
PANELS			
1600 x 560 SE Front Panel - 5mm	42.5016	114.00	136.80
800 x 560 SE End Panel	42.5022	69.00	82.80
1600 x 560 Front Panel - Beauforté	42.6016	192.00	230.40
800 x 560 End Panel - Beauforté	42.6022	124.00	148.80
1810 x 810 L Shape Flat Panel - Beauforté	42.6035	367.00	440.40

-  SHOWER
-  HEAD REST
-  440 DEPTH
-  ULTRA STRONG

1700 x 700 SE



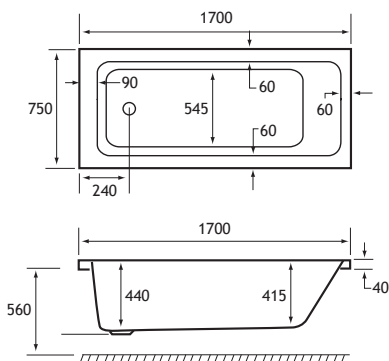
1700 x 700 x 440mm

230 Litres

DESCRIPTION	CODE	£ EX VAT	£ INC VAT
1700 x 700 SE Portland - 5mm	42.0016	284.00	340.80
1700 x 700 SE Portland - Beauforté	42.1016	521.00	625.20
PANELS			
1700 x 560 Front Panel	42.5013	114.00	136.80
700 x 560 End Panel	42.5024	69.00	82.80
1700 x 560 Front Panel - Beauforté	42.6013	192.00	230.40
700 x 560 End Panel - Beauforté	42.6024	114.00	136.80
1700 Adjustable Front Panel - Beauforté	42.6033	277.00	332.40
1810 x 810 L Shape Flat Panel - Beauforté	42.6035	367.00	440.40

-  SHOWER
-  HEAD REST
-  440 DEPTH
-  ULTRA STRONG


1700 x 750 SE



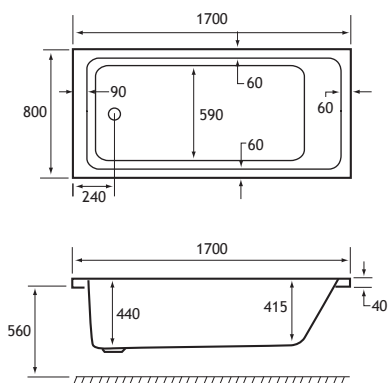
1700 x 750 x 440mm

248 Litres

DESCRIPTION	CODE	£ EX VAT	£ INC VAT
1700 x 750 SE Portland - 5mm	42.0015	350.00	420.00
1700 x 750 SE Portland - Beauforté	42.1015	620.00	744.00
PANELS			
1700 x 560 Front Panel	42.5013	114.00	136.80
750x560 End Panel	42.5023	69.00	82.80
1700 x 560 Front Panel - Beauforté	42.6013	192.00	230.40
750 x 560 End Panel - Beauforté	42.6023	114.00	136.80
1700 Adjustable Front Panel - Beauforté	42.6033	277.00	332.40
1810 x 810 L Shape Flat Panel - Beauforté	42.6035	367.00	440.40

-  SHOWER
-  HEAD REST
-  440 DEPTH
-  ULTRA STRONG


1700 x 800 SE



1700 x 800 x 440mm

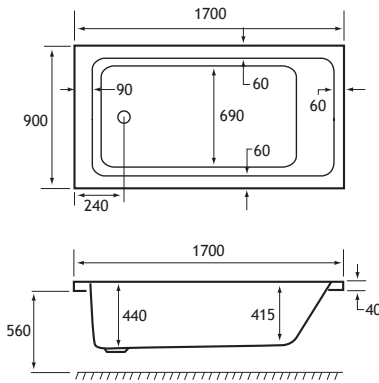
264 Litres

DESCRIPTION	CODE	£ EX VAT	£ INC VAT
1700 x 800 SE Portland - 5mm	42.0014	387.00	464.40
1700 x 800 SE Portland - Beauforté	42.1014	671.00	805.20
PANELS			
1700 x 560 Front Panel	42.5013	114.00	136.80
800x560 End Panel	42.5022	69.00	82.80
1700 x 560 Front Panel - Beauforté	42.6013	192.00	230.40
800 x 560 End Panel - Beauforté	42.6022	124.00	148.80
1700 Adjustable Front Panel - Beauforté	42.6033	277.00	332.40
1810 x 810 L Shape Flat Panel - Beauforté	42.6035	367.00	440.40

-  SHOWER
-  HEAD REST
-  440 DEPTH
-  ULTRA STRONG

SINGLE ENDED Portland

1700 x 900 SE



1700 x 900 x 440mm

297 Litres

DESCRIPTION	CODE	£ EX VAT	£ INC VAT
1700 x 900 SE Portland - 5mm	42.0013	431.00	517.20
1700 x 900 SE Portland - Beauforté	42.1013	735.00	882.00

PANELS

1700 x 560 Front Panel	42.5013	114.00	136.80
900x560 End Panel	42.5021	69.00	82.80
1700 x 560 Front Panel - Beauforté	42.6013	192.00	230.40
900 x 560 End Panel - Beauforté	42.6021	137.00	164.40
1700 Adjustable Front Panel - Beauforté	42.6033	277.00	332.40



SHOWER



HEAD REST



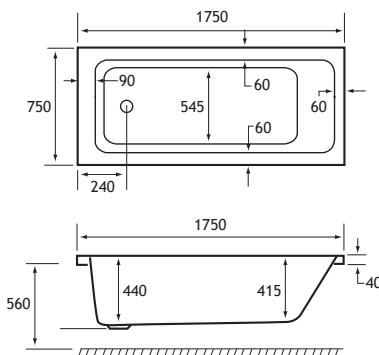
440 DEPTH



ULTRA STRONG

NEW

1750 x 750 SE



1750 x 750 x 440mm

258 Litres

DESCRIPTION	CODE	£ EX VAT	£ INC VAT
1750 x 750 SE Portland - 5mm	42.0020	480.00	576.00
1750 x 750 SE Portland - Beauforté	42.1020	795.00	954.00

PANELS

1750 x 560 Front Panel	42.5018	128.00	153.61
750x560 End Panel	42.5023	69.00	82.80
1750 x 560 Front Panel - Beauforté	42.6018	200.00	240.00
750 x 560 End Panel - Beauforté	42.6023	114.00	136.80
1700 Adjustable Front Panel - Beauforté	42.6033	277.00	332.40
1810 x 810 L Shape Flat Panel - Beauforté	42.6035	367.00	440.40



SHOWER



HEAD REST

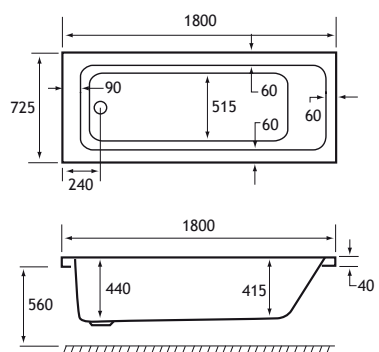


440 DEPTH



ULTRA STRONG

1800 x 725 SE



1800 x 725 x 440mm

250 Litres

DESCRIPTION	CODE	£ EX VAT	£ INC VAT
1800 x 725 SE Portland - 5mm	42.0012	378.00	453.60
1800 x 725 SE Portland - Beauforté	42.1012	658.00	789.60

PANELS

1800 x 560 Front Panel	42.5012	127.00	152.40
750x560 End Panel*	42.5023	69.00	82.80
1800 x 560 Front Panel - Beauforté	42.6012	203.00	243.60
750 x 560 End Panel - Beauforté*	42.6023	114.00	136.80
1800 Adjustable Front Panel - Beauforté	42.6032	288.00	345.60
1810 x 810 L Shape Flat Panel - Beauforté	42.6035	367.00	440.40



SHOWER



HEAD REST



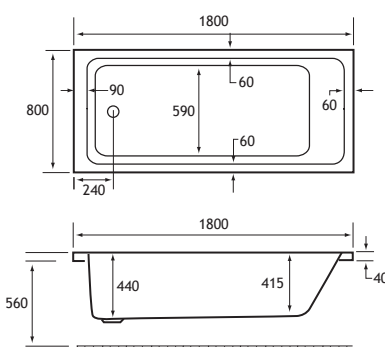
440 DEPTH



ULTRA STRONG

* Panel requires cutting down

1800 x 800 SE



1800 x 800 x 440mm

283 Litres

DESCRIPTION	CODE	£ EX VAT	£ INC VAT
1800 x 800 SE Portland - 5mm	42.0011	418.00	501.60
1800 x 800 SE Portland - Beauforté	42.1011	718.00	861.60

PANELS

1800 x 560 Front Panel	42.5012	127.00	152.40
800x560 End Panel	42.5022	69.00	82.80
1800 x 560 Front Panel - Beauforté	42.6012	203.00	243.60
800 x 560 End Panel - Beauforté	42.6022	124.00	148.80
1800 Adjustable Front Panel - Beauforté	42.6032	288.00	345.60
1810 x 810 L Shape Flat Panel - Beauforté	42.6035	367.00	440.40



SHOWER



HEAD REST



440 DEPTH



ULTRA STRONG

Portland DOUBLE ENDED

Situated in the mild depths of the English Channel, the Portland sea region is located along the Jurassic Coast, famous for its geology and striking landforms. Named after this area, the Portland bath is a stunning, minimalist bathing solution, available in both single and double ended variants, with or without grips. Featuring a modern angular design with straight sides and a sloping back, the Portland is surprisingly deep, providing a generous, warm, and relaxing bath.

The Portland is available in a wide range of bath sizes and in a choice of thickness - 5mm acrylic or ultra-strong Beauforté, which significantly extends the life of the bath.



PRODUCT FEATURES

- 10 models
- Each available in: 5mm Acrylic & Ultra Strong Beauforté
- Supplied without pre-drilled tap holes or waste fittings
- 440mm depth on all Portland DE models
- Sloping back rest at both ends for lumbar support



Portland DE shown with Helston bath filler 93.0011 Adjustable bath panels on page 124 - 125

1700 x 700 DE

1700 x 700 x 440mm

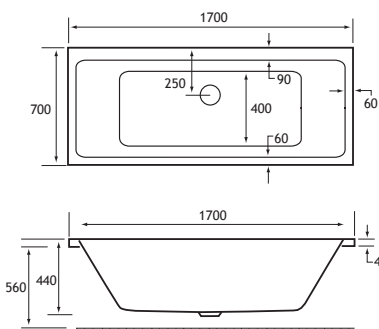
210 Litres

DESCRIPTION	CODE	£ EX VAT	£ INC VAT
1700 x 700 DE Portland - 5mm	42.0035	300.00	360.00
1700 x 700 DE Portland - Beauforté	42.1035	544.00	652.80
PANELS			
1700 x 560 Front Panel	42.5013	114.00	136.80
700 x 560 End Panel	42.5024	69.00	82.80
1700 x 560 Front Panel - Beauforté	42.6013	192.00	230.40
700 x 560 End Panel - Beauforté	42.6024	114.00	136.80
1700 Adjustable Front Panel - Beauforté	42.6033	277.00	332.40
1810 x 810 L Shape Flat Panel - Beauforté	42.6035	367.00	440.40

 HEAD REST

 440 DEPTH

 ULTRA STRONG

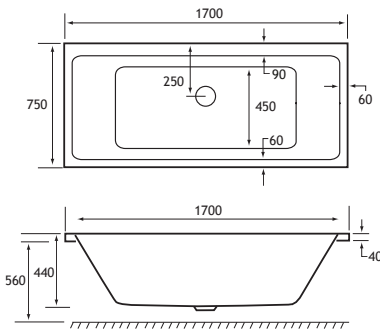


DOUBLE ENDED Portland

1700 x 750 DE

1700 x 750 x 440mm

231 Litres



DESCRIPTION	CODE	£ EX VAT	£ INC VAT
1700 x 750 DE Portland - 5mm	42.0034	367.00	440.40
1700 x 750 DE Portland - Beauforté	42.1034	642.00	770.40
PANELS			
1700 x 560 Front Panel	42.5013	114.00	136.80
750x560 End Panel	42.5023	69.00	82.80
1700 x 560 Front Panel - Beauforté	42.6013	192.00	230.40
750 x 560 End Panel - Beauforté	42.6023	114.00	136.80
1700 Adjustable Front Panel - Beauforté	42.6033	277.00	332.40
1810 x 810 L Shape Flat Panel - Beauforté	42.6035	367.00	440.40

HEAD REST

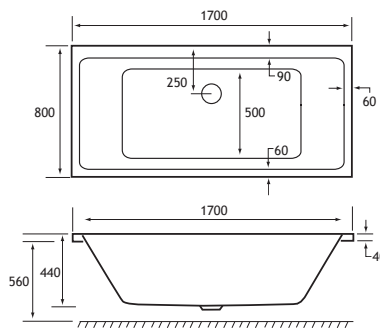
440 DEPTH

ULTRA STRONG

1700 x 800 DE

1700 x 800 x 440mm

228 Litres



DESCRIPTION	CODE	£ EX VAT	£ INC VAT
1700 x 800 DE Portland - 5mm	42.0033	403.00	483.60
1700 x 800 DE Portland - Beauforté	42.1033	695.00	834.00
PANELS			
1700 x 560 Front Panel	42.5013	114.00	136.80
800x560 End Panel	42.5022	69.00	82.80
1700 x 560 Front Panel - Beauforté	42.6013	192.00	230.40
800 x 560 End Panel - Beauforté	42.6022	124.00	148.80
1700 Adjustable Front Panel - Beauforté	42.6033	277.00	332.40
1810 x 810 L Shape Flat Panel - Beauforté	42.6035	367.00	440.40

HEAD REST

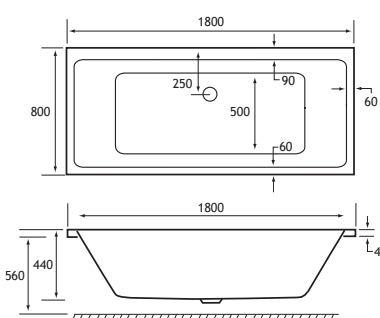
440 DEPTH

ULTRA STRONG

1800 x 800 DE

1800 x 800 x 440mm

260 Litres



DESCRIPTION	CODE	£ EX VAT	£ INC VAT
1800 x 800 DE Portland - 5mm	42.0032	434.00	520.80
1800 x 800 DE Portland - Beauforté	42.1032	739.00	886.80
PANELS			
1800 x 560 Front Panel	42.5012	127.00	152.40
800x560 End Panel	42.5022	69.00	82.80
1800 x 560 Front Panel - Beauforté	42.6012	203.00	243.60
800 x 560 End Panel - Beauforté	42.6022	124.00	148.80
1800 Adjustable Front Panel - Beauforté	42.6032	288.00	345.60
1810 x 810 L Shape Flat Panel - Beauforté	42.6035	367.00	440.40

HEAD REST

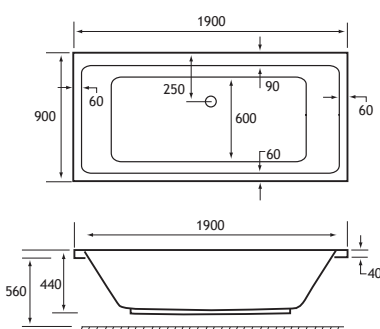
440 DEPTH

ULTRA STRONG

1900 x 900 DE

1900 x 900 x 440mm

306 Litres



DESCRIPTION	CODE	£ EX VAT	£ INC VAT
1900 x 900 DE Portland - 5mm	42.0031	588.00	705.60
1900 x 900 DE Portland - Beauforté	42.1031	963.00	1155.60
PANELS			
1900 x 560 Front Panel	42.5011	163.00	195.60
900x560 End Panel	42.5021	69.00	82.80
1900 x 560 Front Panel - Beauforté	42.6011	239.00	286.80
900 x 560 End Panel - Beauforté	42.6021	137.00	164.40

HEAD REST

440 DEPTH

ULTRA STRONG

Portland SINGLE ENDED, TWIN GRIP

Situated in the mild depths of the English Channel, the Portland sea region is located along the Jurassic Coast, famous for its geology and striking landforms. Named after this area, the Portland bath is a stunning, minimalist bathing solution, available in both single and double ended variants, with or without grips. Featuring a modern angular design with straight sides and a sloping back, the Portland is surprisingly deep, providing a generous, warm, and relaxing bath.

The Portland is available in a wide range of bath sizes and in a choice of thickness - 5mm acrylic or ultra-strong Beauforté, which significantly extends the life of the bath.



PRODUCT FEATURES

- 16 models
- Each available in: 5mm Acrylic & Ultra Strong Beauforté
- Supplied without pre-drilled tap holes or waste fittings
- 440mm depth on all Portland SE models
- Twin grips available in 6 colours (**Sold separately**)



Bath Screens

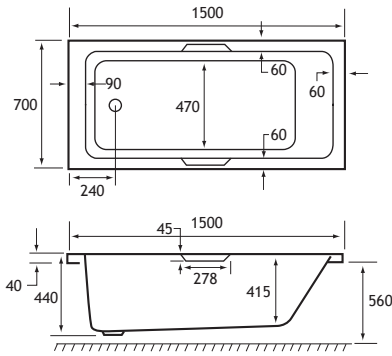
Page 137-145



Portland SE TG shown. Grips sold separately. Adjustable bath panels on page 124 - 125

SINGLE ENDED, TWIN GRIP Portland

1500 x 700 SE TG Grips Sold Separately - Page 57



1500 x 700 x 440mm

200 Litres

DESCRIPTION	CODE	£ EX VAT	£ INC VAT
1500 x 700 TG Portland - 5mm	42.0028	289.00	346.80
1500 x 700 TG Portland - Beauforté	42.1028	528.00	633.60

PANELS

1500 x 560 Front Panel	42.5017	114.00	136.80
700 x 560 End Panel	42.5024	69.00	82.80
1500 x 560 Front Panel - Beauforté	42.6017	192.00	230.40
700 x 560 End Panel - Beauforté	42.6024	114.00	136.80
1500 Adjustable Front Panel - Beauforté	42.6034	277.00	332.40
1810 x 810 L Shape Flat Panel - Beauforté	42.6035	367.00	440.40



SHOWER



GRIPS



440 DEPTH

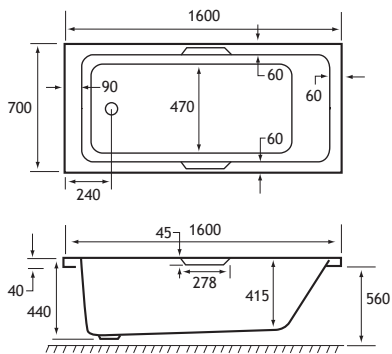


HEAD REST



ULTRA STRONG

1600 x 700 SE TG Grips Sold Separately - Page 57



1600 x 700 x 440mm

209 Litres

DESCRIPTION	CODE	£ EX VAT	£ INC VAT
1600 x 700 TG Portland - 5mm	42.0027	289.00	346.80
1600 x 700 TG Portland - Beauforté	42.1027	528.00	633.60

PANELS

1600 x 560 Front Panel	42.5016	114.00	136.80
700 x 560 End Panel	42.5024	69.00	82.80
1600 x 560 Front Panel - Beauforté	42.6016	192.00	230.40
700 x 560 End Panel - Beauforté	42.6024	114.00	136.80
1810 x 810 L Shape Flat Panel - Beauforté	42.6035	367.00	440.40



SHOWER



GRIPS



440 DEPTH

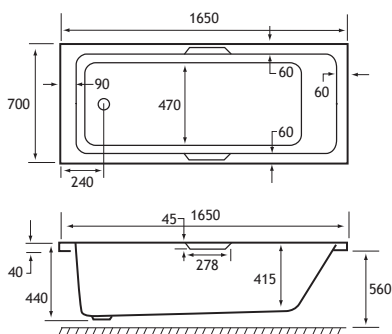


HEAD REST



ULTRA STRONG

1650 x 700 SE TG Grips Sold Separately - Page 57



1650 x 700 x 440mm

224 Litres

DESCRIPTION	CODE	£ EX VAT	£ INC VAT
1650 x 700 TG Portland - 5mm	42.0026	289.00	346.80
1650 x 700 TG Portland - Beauforté	42.1026	528.00	633.60

PANELS

1650 x 560 Front Panel	42.5015	114.00	136.80
700 x 560 End Panel	42.5024	69.00	82.80
1650 x 560 Front Panel - Beauforté	42.6015	192.00	230.40
700 x 560 End Panel - Beauforté	42.6024	114.00	136.80
1810 x 810 L Shape Flat Panel - Beauforté	42.6035	367.00	440.40



SHOWER



GRIPS



440 DEPTH

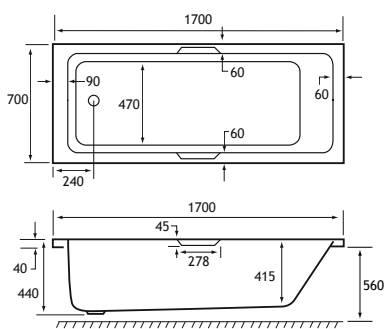


HEAD REST



ULTRA STRONG

1700 x 700 SE TG Grips Sold Separately - Page 57



1700 x 700 x 440mm

230 Litres

DESCRIPTION	CODE	£ EX VAT	£ INC VAT
1700 x 700 TG Portland - 5mm	42.0025	289.00	346.80
1700 x 700 TG Portland - Beauforté	42.1025	528.00	633.60

PANELS

1700 x 560 Front Panel	42.5013	114.00	136.80
700 x 560 End Panel	42.5024	69.00	82.80
1700 x 560 Front Panel - Beauforté	42.6013	192.00	230.40
700 x 560 End Panel - Beauforté	42.6024	114.00	136.80
1700 Adjustable Front Panel - Beauforté	42.6033	277.00	332.40
1810 x 810 L Shape Flat Panel - Beauforté	42.6035	367.00	440.40



SHOWER



GRIPS



440 DEPTH



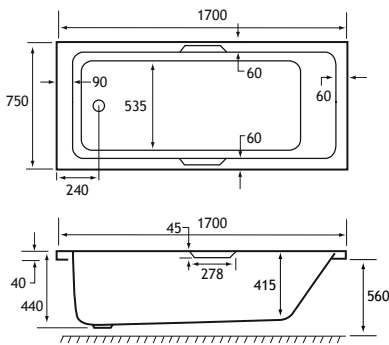
HEAD REST








ULTRA STRONG

Portland SINGLE ENDED, TWIN GRIP

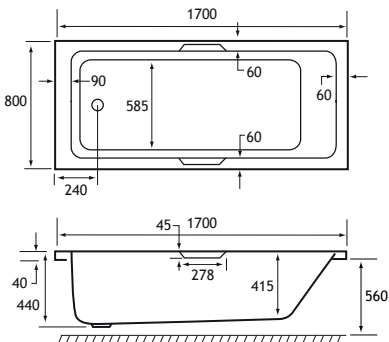
1700 x 750 SE TG Grips Sold Separately








1700 x 750 x 440mm		248 Litres	
DESCRIPTION	CODE	£ EX VAT	£ INC VAT
1700 x 750 TG Portland - 5mm	42.0024	368.00	441.60
1700 x 750 TG Portland - Beauforté	42.1024	645.00	774.00
PANELS			
1700 x 560 Front Panel	42.5013	114.00	136.80
750x560 End Panel	42.5023	69.00	82.80
1700 x 560 Front Panel - Beauforté	42.6013	192.00	230.40
750 x 560 End Panel - Beauforté	42.6023	114.00	136.80
1700 Adjustable Front Panel - Beauforté	42.6033	277.00	332.40
1810 x 810 L Shape Flat Panel - Beauforté	42.6035	367.00	440.40

-  SHOWER
-  GRIPS
-  440 DEPTH
-  HEAD REST
-  ULTRA STRONG

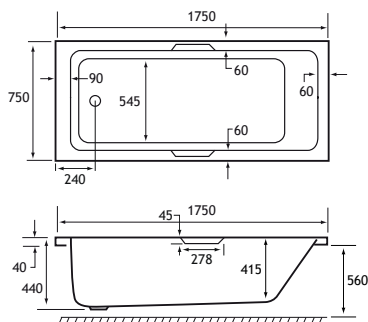
1700 x 800 SE TG Grips Sold Separately








1700 x 800 x 440mm		264 Litres	
DESCRIPTION	CODE	£ EX VAT	£ INC VAT
1700 x 800 TG Portland - 5mm	42.0022	404.00	484.80
1700 x 800 TG Portland - Beauforté	42.1022	697.00	836.40
PANELS			
1700 x 560 Front Panel	42.5013	114.00	136.80
800x560 End Panel	42.5022	69.00	82.80
1700 x 560 Front Panel - Beauforté	42.6013	192.00	230.40
800 x 560 End Panel - Beauforté	42.6022	124.00	148.80
1700 Adjustable Front Panel - Beauforté	42.6033	277.00	332.40
1810 x 810 L Shape Flat Panel - Beauforté	42.6035	367.00	440.40

-  SHOWER
-  GRIPS
-  440 DEPTH
-  HEAD REST
-  ULTRA STRONG

NEW 1750 x 750 SE TG Grips Sold Separately



1750 x 750 x 440mm		258 Litres	
DESCRIPTION	CODE	£ EX VAT	£ INC VAT
1750 x 750 TG Portland - 5mm	42.0023	487.00	584.40
1750 x 750 TG Portland - Beauforté	42.1023	766.00	919.20
PANELS			
1750 x 560 Front Panel	42.5018	128.00	153.61
750x560 End Panel	42.5023	69.00	82.80
1750 x 560 Front Panel - Beauforté	42.6018	200.00	240.00
750 x 560 End Panel - Beauforté	42.6023	114.00	136.80
1700 Adjustable Front Panel - Beauforté	42.6033	277.00	332.40
1810 x 810 L Shape Flat Panel - Beauforté	42.6035	367.00	440.40

-  SHOWER
-  GRIPS
-  440 DEPTH
-  HEAD REST
-  ULTRA STRONG

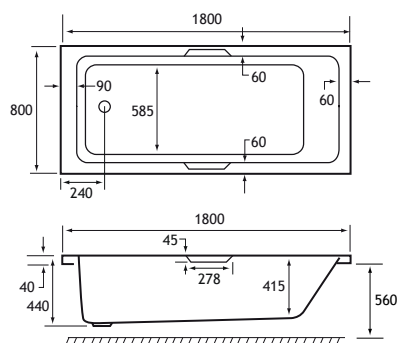
Universal Fittings

ALL 5mm & Beauforté baths come complete with Universal Fittings such as legs, feet & wall brackets etc. Organised ready for your bath installer to fit with ease.



SINGLE ENDED, TWIN GRIP Portland

1800 x 800 SE TG Grips Sold Separately



1800 x 800 x 440mm

283 Litres

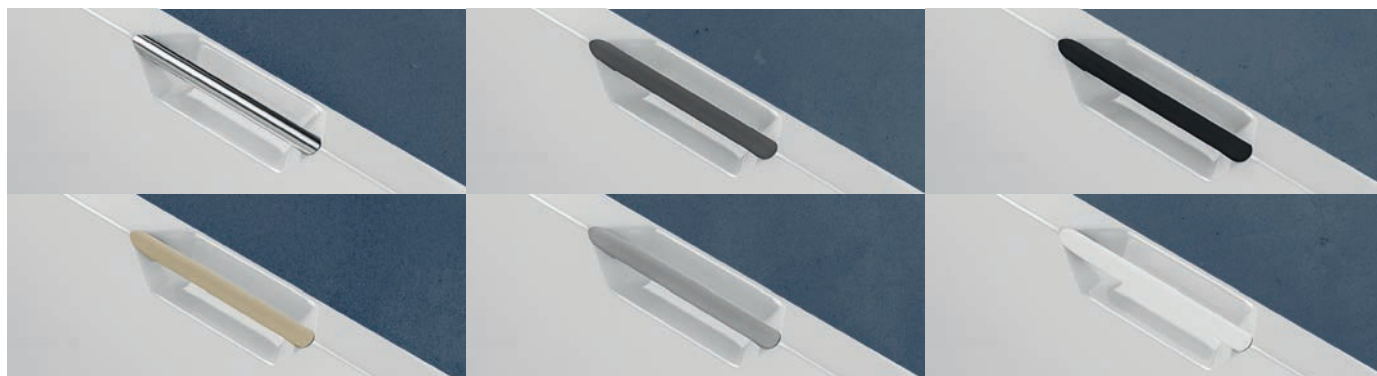
DESCRIPTION	CODE	£ EX VAT	£ INC VAT
1800 x 800 TG Portland - 5mm	42.0021	435.00	522.00
1800 x 800 TG Portland - Beauforté	42.1021	742.00	890.40
PANELS			
1800 x 560 Front Panel	42.5012	127.00	152.40
800x560 End Panel	42.5022	69.00	82.80
1800 x 560 Front Panel - Beauforté	42.6012	203.00	243.60
800 x 560 End Panel - Beauforté	42.6022	124.00	148.80
1800 Adjustable Front Panel - Beauforté	42.6032	288.00	345.60
1810 x 810 L Shape Flat Panel - Beauforté	42.6035	367.00	440.40

- SHOWER
- GRIPS
- 440 DEPTH
- HEAD REST
- ULTRA STRONG



Portland SE TG shown. **Grips sold separately.** Compatible bath screens on page 137 - 145 Adjustable bath panels on page 124 - 125

Twin Grips (Pair)



DESCRIPTION	CODE	£ EX VAT	£ INC VAT	DESCRIPTION	CODE	£ EX VAT	£ INC VAT
Chrome Grips (pair)	42.0001	39.00	46.80	Matt Black Grips (pair)	42.0004	51.00	61.20
Matt White Grips (pair)	42.0002	51.00	61.20	Matt Cappuccino Grips (pair)	42.0005	51.00	61.20
Matt Grey Grips (pair)	42.0003	51.00	61.20	Matt Anthracite Grips (pair)	42.0006	51.00	61.20

Portland DOUBLE ENDED, SINGLE GRIP

Situated in the mild depths of the English Channel, the Portland sea region is located along the Jurassic Coast, famous for its geology and striking landforms. Named after this area, the Portland bath is a stunning, minimalist bathing solution, available in both single and double ended variants, with or without grips. Featuring a modern angular design with straight sides and a sloping back, the Portland is surprisingly deep, providing a generous, warm, and relaxing bath.

The Portland is available in a wide range of bath sizes and in a choice of thickness - 5mm acrylic or ultra-strong Beauforté, which significantly extends the life of the bath.



PRODUCT FEATURES

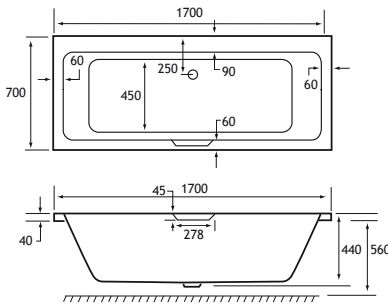
- 6 models
- Each available in: 5mm Acrylic & Ultra Strong Beauforté
- Supplied without pre-drilled tap holes or waste fittings
- 440mm depth on all Portland SE models
- Single grips available in 6 colours (**Sold separately**)



Portland SE TG shown. **Grips sold separately.** Adjustable bath panels on page 124 - 125

DOUBLE ENDED, SINGLE GRIP Portland

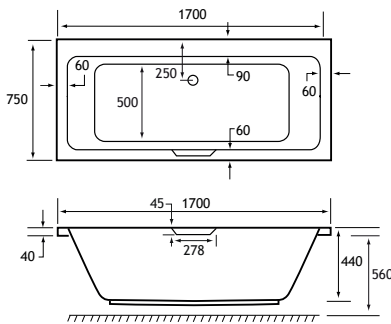
1700 x 700 DE SG Grip Sold Separately



1700 x 700 x 440mm		210 Litres	
DESCRIPTION	CODE	£ EX VAT	£ INC VAT
1700 x 700 DE SG Portland - 5mm	42.0043	300.00	360.00
1700 x 700 DE SG Portland - Beauforté	42.1043	544.00	652.80
PANELS			
1700 x 560 Front Panel	42.5013	114.00	136.80
700 x 560 End Panel	42.5024	69.00	82.80
1700 x 560 Front Panel - Beauforté	42.6013	192.00	230.40
700 x 560 End Panel - Beauforté	42.6024	114.00	136.80
1700 Adjustable Front Panel - Beauforté	42.6033	277.00	332.40
1810 x 810 L Shape Flat Panel - Beauforté	42.6035	367.00	440.40



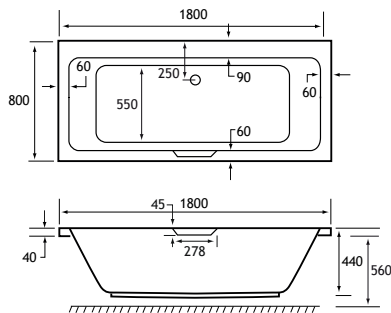
1700 x 750 DE SG Grip Sold Separately



1700 x 750 x 440mm		231 Litres	
DESCRIPTION	CODE	£ EX VAT	£ INC VAT
1700 x 750 DE SG Portland - 5mm	42.0042	368.00	441.60
1700 x 750 DE SG Portland - Beauforté	42.1042	642.00	770.40
PANELS			
1700 x 560 Front Panel	42.5013	114.00	136.80
750x560 End Panel	42.5023	69.00	82.80
1700 x 560 Front Panel - Beauforté	42.6013	192.00	230.40
750 x 560 End Panel - Beauforté	42.6023	114.00	136.80
1700 Adjustable Front Panel - Beauforté	42.6033	277.00	332.40
1810 x 810 L Shape Flat Panel - Beauforté	42.6035	367.00	440.40



1800 x 800 DE SG Grip Sold Separately



1800 x 800 x 440mm		260 Litres	
DESCRIPTION	CODE	£ EX VAT	£ INC VAT
1800 x 800 DE SG Portland - 5mm	42.0041	434.00	520.80
1800 x 800 DE SG Portland - Beauforté	42.1041	739.00	886.80
PANELS			
1800 x 560 Front Panel	42.5012	127.00	152.40
800x560 End Panel	42.5022	69.00	82.80
1800 x 560 Front Panel - Beauforté	42.6012	203.00	243.60
800 x 560 End Panel - Beauforté	42.6022	124.00	148.80
1800 Adjustable Front Panel - Beauforté	42.6032	288.00	345.60
1810 x 810 L Shape Flat Panel - Beauforté	42.6035	367.00	440.40



Single Grips

DESCRIPTION	CODE	£ EX VAT	£ INC VAT
Chrome Grip (Single)	42.1001	20.00	24.00
Matt White Grip (Single)	42.1002	27.00	32.40
Matt Grey Grip (Single)	42.1003	27.00	32.40
Matt Black Grip (Single)	42.1004	27.00	32.40
Matt Cappuccino Grip (Single)	42.1005	27.00	32.40
Matt Anthracite Grip (Single)	42.1006	27.00	32.40

See page 122 - 123 for all Single Grip images & bath accessories. All grips sold separately.



Portland SINGLE ENDED, TWIN GRIP - LOW LEVEL

Situated in the mild depths of the English Channel, the Portland sea region is located along the Jurassic Coast, famous for its geology and striking landforms. Named after this area, the Portland bath is a stunning, minimalist bathing solution, available in both single and double ended variants, with or without grips. Featuring a modern angular design with straight sides and a sloping back. The Portland Low Level is an easy-access, water saving and relaxing bath.

The Portland is available in a wide range of bath sizes and in a choice of thickness - 5mm acrylic or ultra-strong Beauforté, which significantly extends the life of the bath.



PRODUCT FEATURES

- 2 models
- Available in:
5mm Acrylic & Ultra Strong Beauforté
- Supplied without pre-drilled tap holes or waste fittings
- 350mm depth on all Portland Low Level baths
- Twin grips available in 6 colours ([Sold separately](#))



Bath Screens

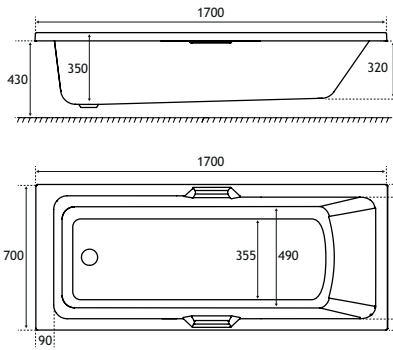
Page 137-145



Portland SE TG shown with Helston bath filler 93.0011

LOW LEVEL - TWIN GRIP, SINGLE ENDED Portland

1700 x 700 LL TG Grips Sold Separately



1700 x 700 x 350mm

170 Litres

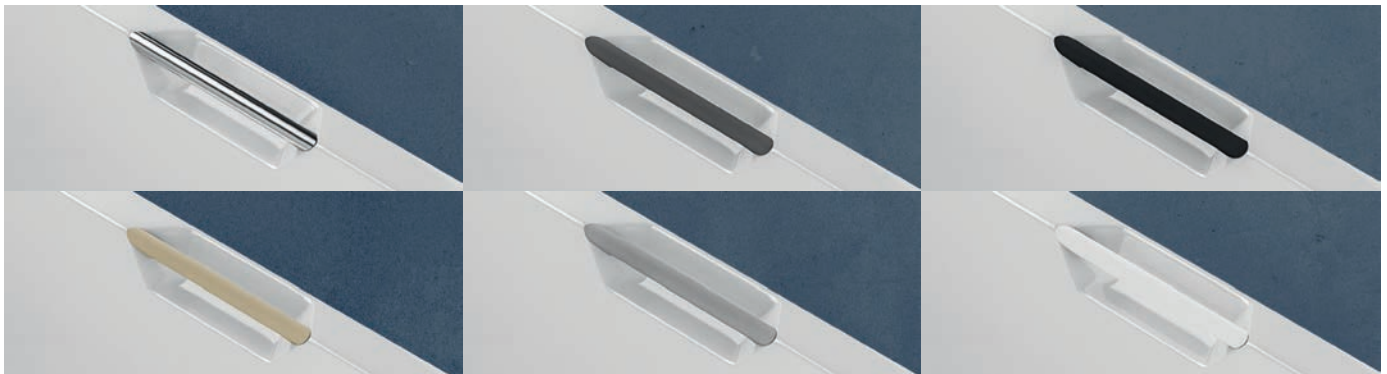
DESCRIPTION	CODE	£ EX VAT	£ INC VAT
1700 x 700 LL TG Portland - 5mm	42.0191	312.00	374.40
1700 x 700 LL TG Portland - Beauforté	42.1191	559.00	670.80

PANELS

DESCRIPTION	CODE	£ EX VAT	£ INC VAT
1700 x 430 Front Panel	42.5051	117.00	140.40
700 x 430 End Panel	42.5052	71.00	85.20
1700 x 430 Front Panel - Beauforté	42.6051	198.00	237.60
700 x 430 End Panel - Beauforté	42.6052	117.00	140.40



Twin Grips (Pair)



DESCRIPTION	CODE	£ EX VAT	£ INC VAT
Chrome Grips (pair)	42.0001	39.00	46.80
Matt White Grips (pair)	42.0002	51.00	61.20
Matt Grey Grips (pair)	42.0003	51.00	61.20

DESCRIPTION	CODE	£ EX VAT	£ INC VAT
Matt Black Grips (pair)	42.0004	51.00	61.20
Matt Cappuccino Grips (pair)	42.0005	51.00	61.20
Matt Anthracite Grips (pair)	42.0006	51.00	61.20

Portland L-SHAPE

Situated in the mild depths of the English Channel, the Portland sea region is located along the Jurassic Coast, famous for its geology and striking landforms. Named after this area, the Portland bath is a stunning, minimalist bathing solution. Featuring a modern angular design with straight sides and a sloping back, the Portland is surprisingly deep, providing a generous, warm, and relaxing bath.

The Portland L-Shape is available in a wide range of bath sizes and in a choice of thickness - 5mm acrylic or ultra-strong Beauforté, which significantly extends the life of the bath.



PRODUCT FEATURES

- 8 models
- Each available in: 5mm Acrylic & Ultra Strong Beauforté
- Supplied without pre-drilled tap holes or waste fittings
- 440mm depth on all Portland SE models
- Wider space at one end for showering



Bath Screens

Page 137-145

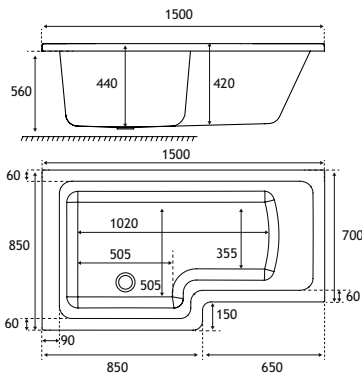


Portland L-Shape RH shown with Helston bath filler 93.0011

L-SHAPE Portland

1500 x 850 LH

NEW BEAUFORTÉ PANELS



1500 x 850 x 700 x 440mm

224 Litres

DESCRIPTION	CODE	£ EX VAT	£ INC VAT
1500 x 850 LH Portland - 5mm	42.0183	475.00	570.00
1500 x 850 LH Portland - Beauforté	42.1183	785.00	942.00

PANELS

1500 x 560 L-Shape Front Panel	42.5062	124.00	148.80
1500 x 560 L-Shape Front Panel - Beauforté	42.6062	350.00	420.00
L-Shape Universal End Panel	42.5063	70.00	84.00
L-Shape Universal End Panel - Beauforté	42.6063	123.00	147.61

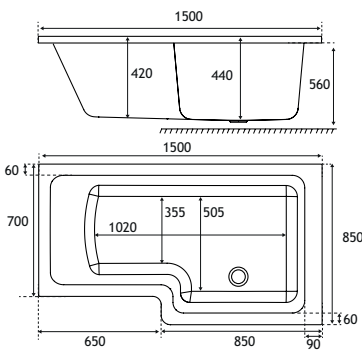
BATH SCREENS

Beaufort Screen 1400mm	58.4000	335.00	402.00
Beaufort Screen 1400mm with Towel Rail	69.0141	450.00	540.00



1500 x 850 RH

NEW BEAUFORTÉ PANELS



1500 x 850 x 700 x 440mm

224 Litres

DESCRIPTION	CODE	£ EX VAT	£ INC VAT
1500 x 850 RH Portland - 5mm	42.0184	475.00	570.00
1500 x 850 RH Portland - Beauforté	42.1184	785.00	942.00

PANELS

1500 x 560 L-Shape Front Panel	42.5062	124.00	148.80
1500 x 560 L-Shape Front Panel - Beauforté	42.6062	350.00	420.00
L-Shape Universal End Panel	42.5063	70.00	84.00
L-Shape Universal End Panel - Beauforté	42.6063	123.00	147.61

BATH SCREENS

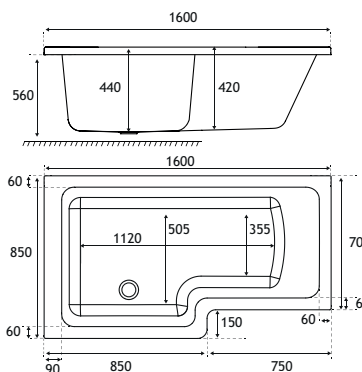
Beaufort Screen 1400mm	58.4000	335.00	402.00
Beaufort Screen 1400mm with Towel Rail	69.0141	450.00	540.00



NEW

1600 x 850 LH

NEW BEAUFORTÉ PANELS



1600 x 850 x 700 x 440mm

249 Litres

DESCRIPTION	CODE	£ EX VAT	£ INC VAT
1600 x 850 LH Portland - 5mm	42.0231	475.00	570.00
1600 x 850 LH Portland - Beauforté	42.1231	785.00	942.00

PANELS

1600 x 560 L-Shape Front Panel	42.5067	121.00	145.21
1600 x 560 L-Shape Front Panel - Beauforté	42.6067	350.00	420.00
L-Shape Universal End Panel	42.5063	70.00	84.00
L-Shape Universal End Panel - Beauforté	42.6063	123.00	147.61

BATH SCREENS

Beaufort Screen 1400mm	58.4000	335.00	402.00
Beaufort Screen 1400mm with Towel Rail	69.0141	450.00	540.00



MP - 0.5 bar minimum

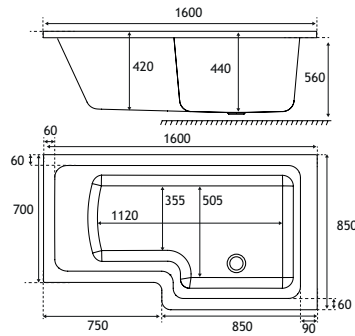
Complete The Look

Helston Bath Filler

Description	Code	£ Ex VAT	£ Inc VAT
Helston Bath Filler Gloss White	93.0014	198.00	237.60
Helston Bath Filler Chrome	93.0011	176.00	211.20
Helston Bath Filler Matt Smooth Black	93.0020	198.00	237.60

Portland L-SHAPE

NEW 1600 x 850 RH



1600 x 850 x 700 x 440mm

249 Litres

DESCRIPTION	CODE	£ EX VAT	£ INC VAT
1600 x 850 RH Portland - 5mm	42.0232	475.00	570.00
1600 x 850 RH Portland - Beauforté	42.1232	785.00	942.00

PANELS

1600 x 560 L-Shape Front Panel	42.5067	121.00	145.21
1600 x 560 L-Shape Front Panel - Beauforté	42.6067	350.00	420.00
L-Shape Universal End Panel	42.5063	70.00	84.00
L-Shape Universal End Panel - Beauforté	42.6063	123.00	147.61

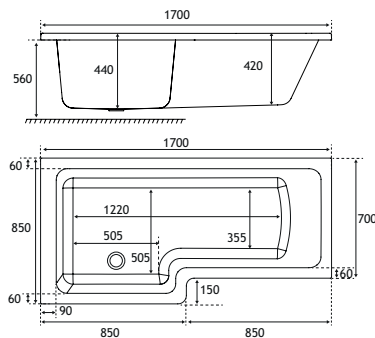
BATH SCREENS

Beaufort Screen 1400mm	58.4000	335.00	402.00
Beaufort Screen 1400mm with Towel Rail	69.0141	450.00	540.00



1700 x 850 LH

NEW BEAUFORTÉ PANELS



1700 x 850 x 700 x 440mm

274 Litres

DESCRIPTION	CODE	£ EX VAT	£ INC VAT
1700 x 850 LH Portland - 5mm	42.0181	475.00	570.00
1700 x 850 LH Portland - Beauforté	42.1181	785.00	942.00

PANELS

1700 x 560 L-Shape Front Panel	42.5061	124.00	148.80
1700 x 560 L-Shape Front Panel - Beauforté	42.6061	350.00	420.00
L-Shape Universal End Panel	42.5063	70.00	84.00
L-Shape Universal End Panel - Beauforté	42.6063	123.00	147.61

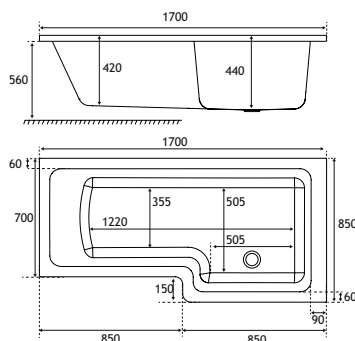
BATH SCREENS

Beaufort Screen 1400mm	58.4000	335.00	402.00
Beaufort Screen 1400mm with Towel Rail	69.0141	450.00	540.00



1700 x 850 RH

NEW BEAUFORTÉ PANELS



1700 x 850 x 700 x 440mm

274 Litres

DESCRIPTION	CODE	£ EX VAT	£ INC VAT
1700 x 850 RH Portland - 5mm	42.0182	475.00	570.00
1700 x 850 RH Portland - Beauforté	42.1182	785.00	942.00

PANELS

1700 x 560 L-Shape Front Panel	42.5061	124.00	148.80
1700 x 560 L-Shape Front Panel - Beauforté	42.6061	350.00	420.00
L-Shape Universal End Panel	42.5063	70.00	84.00
L-Shape Universal End Panel - Beauforté	42.6063	123.00	147.61

BATH SCREENS

Beaufort Screen 1400mm	58.4000	335.00	402.00
Beaufort Screen 1400mm with Towel Rail	69.0141	450.00	540.00



Universal Fittings

ALL 5mm & Beauforté baths come complete with Universal Fittings such as legs, feet & wall brackets etc. Organised ready for your bath installer to fit with ease.



Portland L-SHAPE

Complete The Look

Description	Colour	Code	£ Ex VAT	£ Inc VAT
Helston Bath Filler	Chrome	93.0011	176.00	211.20
Modern Round Thermostatic Shower Pole	Chrome	60.1001	224.00	268.80
Volente 6mm Hinge Bath Screen	Chrome	58.702	216.00	259.20



Portland L-Shape LH shown

Portland P-SHAPE

Situated in the mild depths of the English Channel, the Portland sea region is located along the Jurassic Coast, famous for its geology and striking landforms. Named after this area, the Portland bath is a stunning, minimalist bathing solution. Featuring a modern angular design with straight sides and a sloping back, the Portland is surprisingly deep, providing a generous, warm, and relaxing bath.

The Portland P-Shape is available in a wide range of bath sizes and in a choice of thickness - 5mm acrylic or ultra-strong Beauforté, which significantly extends the life of the bath.



PRODUCT FEATURES

- 8 models
- Each available in: 5mm Acrylic & Ultra Strong Beauforté
- Supplied without pre-drilled tap holes or waste fittings
- 440mm depth on all Portland SE models
- Wider curved space at one end for showering



Bath Screens

Page 137-145

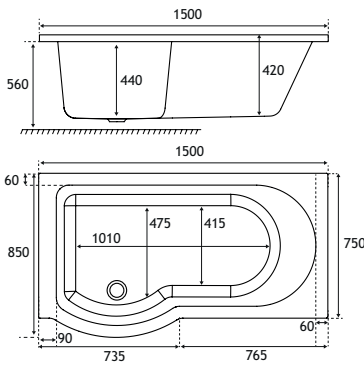


Portland P-Shape LH shown with Helston bath filler 93.0011

P-SHAPE Portland

1500 x 850 LH

NEW BEAUFORTÉ PANELS



1500 x 850 x 750 x 440mm

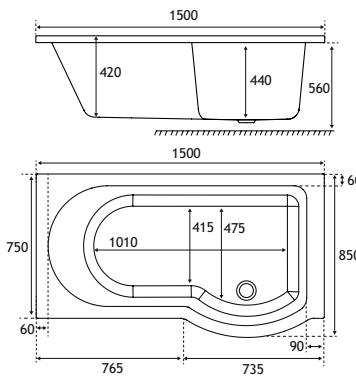
196 Litres

DESCRIPTION	CODE	£ EX VAT	£ INC VAT
1500 x 850 LH Portland - 5mm	42.0187	475.00	570.00
1500 x 850 LH Portland - Beauforté	42.1187	785.00	942.00
PANELS			
1500 x 560 P-Shape Front Panel	42.5065	124.00	148.80
1500 x 560 P-Shape Front Panel - Beauforté	42.6065	343.00	411.64
P-Shape Universal End Panel	42.5066	70.00	84.00
P-Shape Universal End Panel - Beauforté	42.6066	123.00	147.61
BATH SCREENS			
C Shape Screen 6mm easy clean	69.0140	229.00	274.80
C Shape Screen 6mm with towel rail	69.0143	413.00	495.60



1500 x 850 RH

NEW BEAUFORTÉ PANELS



1500 x 850 x 750 x 440mm

196 Litres

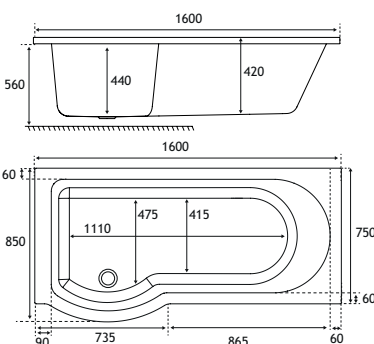
DESCRIPTION	CODE	£ EX VAT	£ INC VAT
1500 x 850 RH Portland - 5mm	42.0188	475.00	570.00
1500 x 850 RH Portland - Beauforté	42.1188	785.00	942.00
PANELS			
1500 x 560 P-Shape Front Panel	42.5065	124.00	148.80
1500 x 560 P-Shape Front Panel - Beauforté	42.6065	343.00	411.64
P-Shape Universal End Panel	42.5066	70.00	84.00
P-Shape Universal End Panel - Beauforté	42.6066	123.00	147.61
BATH SCREENS			
C Shape Screen 6mm easy clean	69.0140	229.00	274.80
C Shape Screen 6mm with towel rail	69.0143	413.00	495.60



NEW

1600 x 850 LH

NEW BEAUFORTÉ PANELS



1600 x 850 x 750 x 440mm

239 Litres

DESCRIPTION	CODE	£ EX VAT	£ INC VAT
1600 x 850 LH Portland - 5mm	42.0233	475.00	570.00
1600 x 850 LH Portland - Beauforté	42.1233	785.00	942.00
PANELS			
1600 x 560 P-Shape Front Panel	42.5068	121.00	145.21
1600 x 560 P-Shape Front Panel - Beauforté	42.6068	343.00	411.60
P-Shape Universal End Panel	42.5066	70.00	84.00
P-Shape Universal End Panel - Beauforté	42.6066	123.00	147.61
BATH SCREENS			
C Shape Screen 6mm easy clean	69.0140	229.00	274.80
C Shape Screen 6mm with towel rail	69.0143	413.00	495.60



Complete The Look

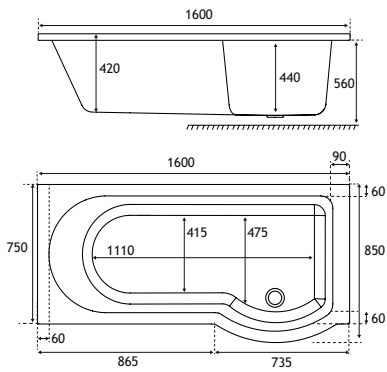
Helston Bath Filler

Description	Code	£ Ex VAT	£ Inc VAT
Helston Bath Filler Gloss White	93.0014	198.00	237.60
Helston Bath Filler Chrome	93.0011	176.00	211.20
Helston Bath Filler Matt Smooth Black	93.0020	198.00	237.60

MP - 0.5 bar minimum

Portland P-SHAPE

NEW **1600 x 850 RH**



1600 x 850 x 750 x 440mm

239 Litres

DESCRIPTION	CODE	£ EX VAT	£ INC VAT
1600 x 850 RH Portland - 5mm	42.0234	475.00	570.00
1600 x 850 RH Portland - Beauforté	42.1234	785.00	942.00
PANELS			
1600 x 560 P-Shape Front Panel	42.5068	121.00	145.21
1600 x 560 P-Shape Front Panel - Beauforté	42.6068	343.00	411.60
P-Shape Universal End Panel	42.5066	70.00	84.00
P-Shape Universal End Panel - Beauforté	42.6066	123.00	147.61
BATH SCREENS			
C Shape Screen 6mm easy clean	69.0140	229.00	274.80
C Shape Screen 6mm with towel rail	69.0143	413.00	495.60



SHOWER



440 DEPTH



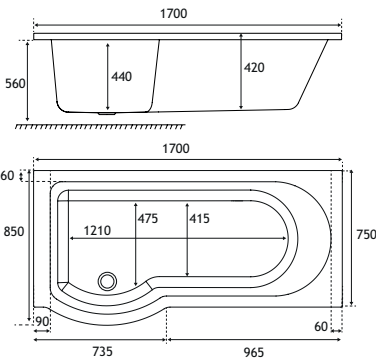
HEAD REST



ULTRA STRONG

1700 x 850 LH

NEW BEAUFORTÉ PANELS



1700 x 850 x 750 x 440mm

258 Litres

DESCRIPTION	CODE	£ EX VAT	£ INC VAT
1700 x 850 LH Portland - 5mm	42.0185	475.00	570.00
1700 x 850 LH Portland - Beauforté	42.1185	785.00	942.00
PANELS			
1700 x 560 P-Shape Front Panel	42.5064	124.00	148.80
1700 x 560 P-Shape Front Panel - Beauforté	42.6064	343.00	411.64
P-Shape Universal End Panel	42.5066	70.00	84.00
P-Shape Universal End Panel - Beauforté	42.6066	123.00	147.61
BATH SCREENS			
C Shape Screen 6mm easy clean	69.0140	229.00	274.80
C Shape Screen 6mm with towel rail	69.0143	413.00	495.60



SHOWER



440 DEPTH



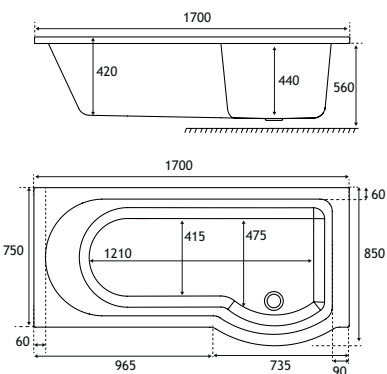
HEAD REST



ULTRA STRONG

1700 x 850 RH

NEW BEAUFORTÉ PANELS



1700 x 850 x 750 x 440mm

258 Litres

DESCRIPTION	CODE	£ EX VAT	£ INC VAT
1700 x 850 RH Portland - 5mm	42.0186	475.00	570.00
1700 x 850 RH Portland - Beauforté	42.1186	785.00	942.00
PANELS			
1700 x 560 L-Shape Front Panel	42.5064	124.00	148.80
1700 x 560 P-Shape Front Panel - Beauforté	42.6064	343.00	411.64
P-Shape Universal End Panel	42.5066	70.00	84.00
P-Shape Universal End Panel - Beauforté	42.6066	123.00	147.61
BATH SCREENS			
C Shape Screen 6mm easy clean	69.0140	229.00	274.80
C Shape Screen 6mm with towel rail	69.0143	413.00	495.60



SHOWER



440 DEPTH



HEAD REST



ULTRA STRONG

Universal Fittings

ALL 5mm & Beauforté baths come complete with Universal Fittings such as legs, feet & wall brackets etc. Organised ready for your bath installer to fit with ease.



P-SHAPE Portland

Complete the LOOK

Description	Colour	Code	£ Ex VAT	£ Inc VAT
Abberton Bath Filler	Brushed Brass	79.1043	155.00	186.00
Modern Square Thermostatic Shower Pole	Brushed Brass	60.1006	291.00	349.20
P-Shape Bath Screen 6mm - Right Hand	Brushed Brass	49.2006	233.00	279.60

Brushed Brass colour shown in images are subject to the limitations of the printing process and may appear different.



Portland P-Shape RH shown

Biscay DOUBLE ENDED

Located in the curved gulf where the west coast of France meets the north of Spain, the Biscay sea region is notorious for some of the fiercest weather conditions of the Atlantic Ocean. The robust double ended Biscay bath is reminiscent of this region, with a distinctive rounded end corner surrounded by a 40mm deep ledge. This space efficient bath provides a large bathing area and is 440mm at its deepest point, ensuring a luxurious, comfortable soak.

The Biscay is available in left or right-handed bath variants, and in a choice of 1600x725mm, 1700x750mm, and 1700x800mm. The range is offered in both 5mm acrylic and ultra-strong Beauforté, which significantly extends the life of the bath.

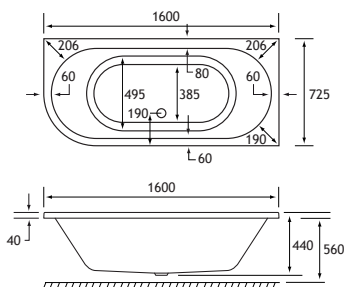


PRODUCT FEATURES

- 12 models
- Each available in: 5mm Acrylic & Ultra Strong Beauforté
- Supplied without pre-drilled tap holes or waste fittings
- 440mm depth on all Biscay DE models
- Curved space saving style with one piece panel



Biscay DE Left Hand shown with Falmouth bath filler 93.0002



1600 x 725 DE RH

NEW BEAUFORTÉ PANELS

DESCRIPTION	CODE	£ EX VAT	£ INC VAT
1600 x 725 x 440mm			188 Litres
1600 x 725 DE RH Biscay - 5mm	42.0056	349.00	418.80
1600 x 725 DE RH Biscay - Beauforté	42.1056	618.00	741.60
PANELS			
Biscay Panel 1600 x 725	42.5003	226.00	271.20
Biscay Panel 1600 x 725 - Beauforté	42.6003	385.00	462.00

440 DEPTH

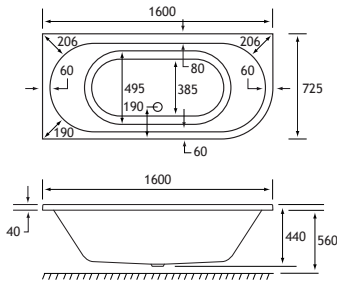
HEAD REST

ULTRA STRONG

DOUBLE ENDED Biscay

1600 x 725 DE LH

NEW BEAUFORTÉ PANELS



1600 x 725 x 440mm

188 Litres

DESCRIPTION	CODE	£ EX VAT	£ INC VAT
1600 x 725 DE LH Biscay - 5mm	42.0055	349.00	418.80
1600 x 725 DE LH Biscay - Beauforté	42.1055	618.00	741.60

PANELS

Biscay Panel 1600 x 725	42.5003	226.00	271.20
Biscay Panel 1600 x 725 - Beauforté	42.6003	385.00	462.00

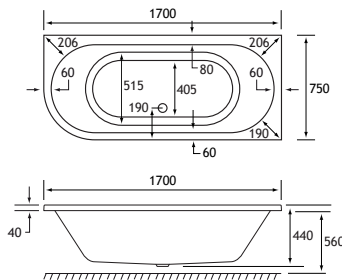
440 DEPTH

HEAD REST

ULTRA STRONG

1700 x 750 DE RH

NEW BEAUFORTÉ PANELS



1700 x 750 x 440mm

208 Litres

DESCRIPTION	CODE	£ EX VAT	£ INC VAT
1700 x 750 DE RH Biscay - 5mm	42.0054	349.00	418.80
1700 x 750 DE RH Biscay - Beauforté	42.1054	618.00	741.60

PANELS

Biscay Panel 1700 x 750	42.5002	226.00	271.20
Biscay Panel 1700 x 750 - Beauforté	42.6002	385.00	462.00

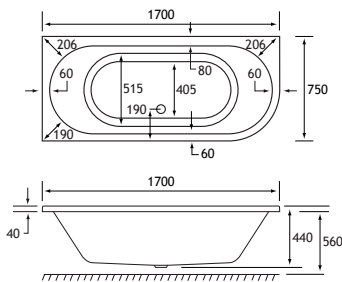
440 DEPTH

HEAD REST

ULTRA STRONG

1700 x 750 DE LH

NEW BEAUFORTÉ PANELS



1700 x 750 x 440mm

208 Litres

DESCRIPTION	CODE	£ EX VAT	£ INC VAT
1700 x 750 DE LH Biscay - 5mm	42.0053	349.00	418.80
1700 x 750 DE LH Biscay - Beauforté	42.1053	618.00	741.60

PANELS

Biscay Panel 1700 x 750	42.5002	226.00	271.20
Biscay Panel 1700 x 750 - Beauforté	42.6002	385.00	462.00

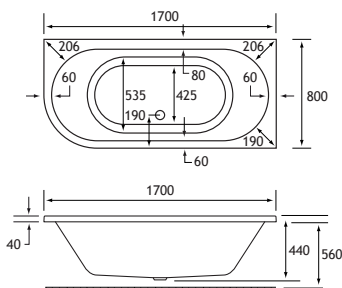
440 DEPTH

HEAD REST

ULTRA STRONG

1700 x 800 DE RH

NEW BEAUFORTÉ PANELS



1700 x 800 x 440mm

219 Litres

DESCRIPTION	CODE	£ EX VAT	£ INC VAT
1700 x 800 DE RH Biscay - 5mm	42.0052	363.00	435.60
1700 x 800 DE RH Biscay - Beauforté	42.1052	637.00	764.40

PANELS

Biscay Panel 1700 x 800	42.5001	226.00	271.20
Biscay Panel 1700 x 800 - Beauforté	42.6001	385.00	462.00

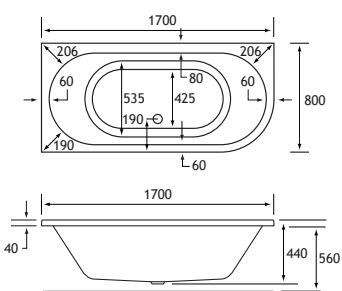
440 DEPTH

HEAD REST

ULTRA STRONG

1700 x 800 DE LH

NEW BEAUFORTÉ PANELS



1700 x 800 x 440mm

219 Litres

DESCRIPTION	CODE	£ EX VAT	£ INC VAT
1700 x 800 DE LH Biscay - 5mm	42.0051	363.00	435.60
1700 x 800 DE LH Biscay - Beauforté	42.1051	637.00	764.40

PANELS

Biscay Panel 1700 x 800	42.5001	226.00	271.20
Biscay Panel 1700 x 800 - Beauforté	42.6001	385.00	462.00

440 DEPTH

HEAD REST

ULTRA STRONG

Biscay SINGLE ENDED, STRAIGHT EDGE

Located in the curved gulf where the west coast of France meets the north of Spain, the Biscay sea region is notorious for some of the fiercest weather conditions of the Atlantic Ocean. The robust double ended Biscay bath is reminiscent of this region, with straight end corners surrounded by a 40mm deep ledge. This space efficient bath provides a large bathing area and is 440mm at its deepest point, ensuring a luxurious, comfortable soak.

The Biscay is a luxury single ended bath which can be matched with square or rounded taps. It's available in sizes 1700x700mm, 1700x750mm, and 1800x800mm. The range is offered in both 5mm acrylic and ultra-strong Beauforté, which significantly extends the life of the bath.



PRODUCT FEATURES

- 6 models
- Each available in: 5mm Acrylic & Ultra Strong Beauforté
- Supplied without pre-drilled tap holes or waste fittings
- 440mm depth on all SE Straight Edge models
- Square edge style bath with great top surface area



Bath Screens

Page 137-145

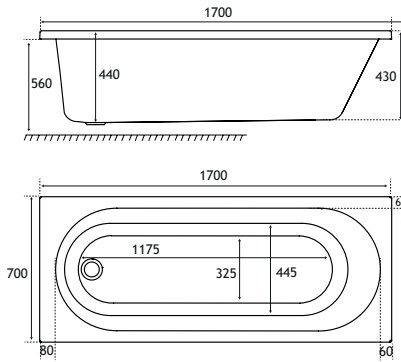


Biscay SE Straight Edge shown with Helston bath filler 93.0011

Adjustable bath panels on page 124 - 125

SINGLE ENDED, STRAIGHT EDGE Biscay

1700 x 700 SE



1700 x 700 x 440mm

222 Litres

DESCRIPTION	CODE	£ EX VAT	£ INC VAT
1700 x 700 SE Straight Edge - 5mm	42.0153	306.00	367.20
1700 x 700 SE Straight Edge - Beauforté	42.1153	552.00	662.40

PANELS

1700 x 560 Front Panel	42.5013	114.00	136.80
700 x 560 End Panel	42.5024	69.00	82.80
1700 x 560 Front Panel - Beauforté	42.6013	192.00	230.40
700 x 560 End Panel - Beauforté	42.6024	114.00	136.80
1810 x 810 L Shape Flat Panel - Beauforté	42.6035	367.00	440.40
1700 Adjustable Front Panel - Beauforté	42.6033	277.00	332.40



SHOWER



440 DEPTH

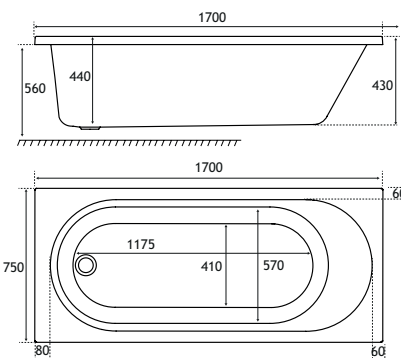


HEAD REST



ULTRA STRONG

1700 x 750 SE



1700 x 750 x 440mm

233 Litres

DESCRIPTION	CODE	£ EX VAT	£ INC VAT
1700 x 750 SE Straight Edge - 5mm	42.0152	379.00	454.80
1700 x 750 SE Straight Edge - Beauforté	42.1152	654.00	784.80

PANELS

1700 x 560 Front Panel	42.5013	114.00	136.80
750x560 End Panel	42.5023	69.00	82.80
1700 x 560 Front Panel - Beauforté	42.6013	192.00	230.40
750 x 560 End Panel - Beauforté	42.6023	114.00	136.80
1810 x 810 L Shape Flat Panel - Beauforté	42.6035	367.00	440.40
1700 Adjustable Front Panel - Beauforté	42.6033	277.00	332.40



SHOWER



440 DEPTH

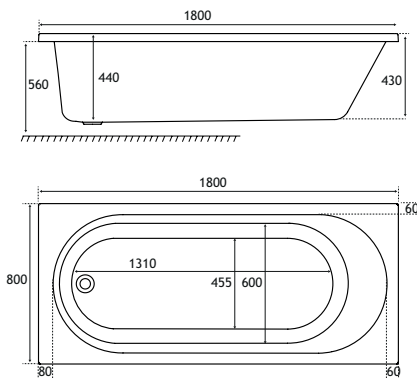


HEAD REST



ULTRA STRONG

1800 x 800 SE



1800 x 800 x 440mm

264 Litres

DESCRIPTION	CODE	£ EX VAT	£ INC VAT
1800 x 800 SE Straight Edge - 5mm	42.0151	450.00	540.00
1800 x 800 SE Straight Edge - Beauforté	42.1151	756.00	907.20

PANELS

1800 x 560 Front Panel	42.5012	127.00	152.40
800x560 End Panel	42.5022	69.00	82.80
1800 x 560 Front Panel - Beauforté	42.6012	203.00	243.60
800 x 560 End Panel - Beauforté	42.6022	124.00	148.80
1810 x 810 L Shape Flat Panel - Beauforté	42.6035	367.00	440.40
1800 Adjustable Front Panel - Beauforté	42.6032	288.00	345.60



SHOWER



440 DEPTH



HEAD REST



ULTRA STRONG

Universal Fittings

ALL 5mm & Beauforté baths come complete with Universal Fittings such as legs, feet & wall brackets etc. Organised ready for your bath installer to fit with ease.



Biscay DOUBLE ENDED, STRAIGHT EDGE

Located in the curved gulf where the west coast of France meets the north of Spain, the Biscay sea region is notorious for some of the fiercest weather conditions of the Atlantic Ocean. The robust double ended Biscay bath is reminiscent of this region, with straight end corners surrounded by a 40mm deep ledge. This space efficient bath provides a large bathing area and is 440mm at its deepest point, ensuring a luxurious, comfortable soak.

The Biscay is a luxury double ended bath which can be matched with square or rounded taps. It's available in sizes 1700x700mm, 1700x750mm, and 1800x800mm. The range is offered in both 5mm acrylic and ultra-strong Beauforté, which significantly extends the life of the bath.



PRODUCT FEATURES

- 6 models
- Each available in: 5mm Acrylic & Ultra Strong Beauforté
- Supplied without pre-drilled tap holes or waste fittings
- 440mm depth on all DE Straight Edge models
- Square edge style bath with great top surface area



Biscay DE Straight Edge shown with Helston bath filler 93.0011

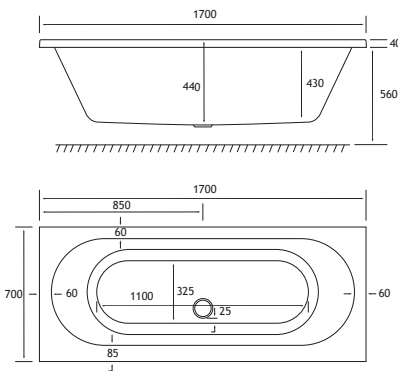
Adjustable bath panels on page 124 - 125

DOUBLE ENDED, STRAIGHT EDGE Biscay

1700 x 700 DE

1700 x 700 x 440mm

212 Litres



DESCRIPTION	CODE	£ EX VAT	£ INC VAT
1700 x 700 DE Straight Edge - 5mm	42.0143	327.00	392.40
1700 x 700 DE Straight Edge - Beauforté	42.1143	586.00	703.20
PANELS			
1700 x 560 Front Panel	42.5013	114.00	136.80
700 x 560 End Panel	42.5024	69.00	82.80
1700 x 560 Front Panel - Beauforté	42.6013	192.00	230.40
700 x 560 End Panel - Beauforté	42.6024	114.00	136.80
1810 x 810 L Shape Flat Panel - Beauforté	42.6035	367.00	440.40
1700 Adjustable Front Panel - Beauforté	42.6033	277.00	332.40

440 DEPTH

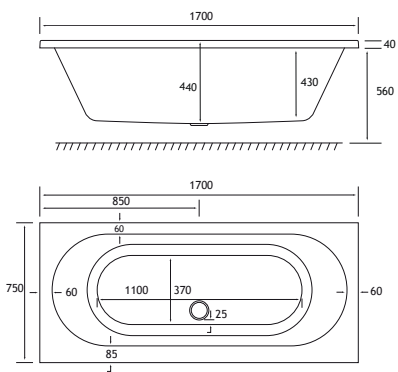
HEAD REST

ULTRA STRONG

1700 x 750 DE

1700 x 750 x 440mm

223 Litres



DESCRIPTION	CODE	£ EX VAT	£ INC VAT
1700 x 750 DE Straight Edge - 5mm	42.0142	395.00	474.00
1700 x 750 DE Straight Edge - Beauforté	42.1142	684.00	820.80
PANELS			
1700 x 560 Front Panel	42.5013	114.00	136.80
750x560 End Panel	42.5023	69.00	82.80
1700 x 560 Front Panel - Beauforté	42.6013	192.00	230.40
750 x 560 End Panel - Beauforté	42.6023	114.00	136.80
1810 x 810 L Shape Flat Panel - Beauforté	42.6035	367.00	440.40
1700 Adjustable Front Panel - Beauforté	42.6033	277.00	332.40

440 DEPTH

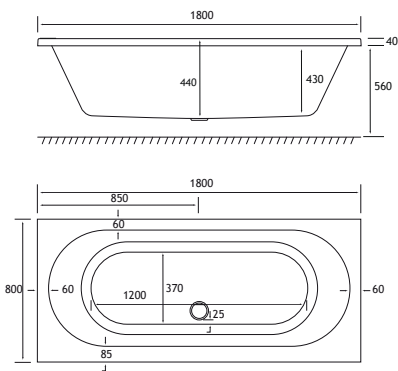
HEAD REST

ULTRA STRONG

1800 x 800 DE

1800 x 800 x 440mm

254 Litres



DESCRIPTION	CODE	£ EX VAT	£ INC VAT
1800 x 800 DE Straight Edge - 5mm	42.0141	468.00	561.60
1800 x 800 DE Straight Edge - Beauforté	42.1141	790.00	948.00
PANELS			
1800 x 560 Front Panel	42.5012	127.00	152.40
800x560 End Panel	42.5022	69.00	82.80
1800 x 560 Front Panel - Beauforté	42.6012	203.00	243.60
800 x 560 End Panel - Beauforté	42.6022	124.00	148.80
1810 x 810 L Shape Flat Panel - Beauforté	42.6035	367.00	440.40
1800 Adjustable Front Panel - Beauforté	42.6032	288.00	345.60

440 DEPTH

HEAD REST

ULTRA STRONG

Universal Fittings

ALL 5mm & Beauforté baths come complete with Universal Fittings such as legs, feet & wall brackets etc. Organised ready for your bath installer to fit with ease.



Biscay SHOWER BATH

Located in the curved gulf where the west coast of France meets the north of Spain, the Biscay sea region is notorious for some of the fiercest weather conditions of the Atlantic Ocean. The robust double ended Biscay bath is reminiscent of this region, with straight end corners surrounded by a 40mm deep ledge. This space efficient bath provides a large bathing area and is 440mm at its deepest point, ensuring a luxurious, comfortable soak.

The Biscay is a luxury bath which can be matched with square or rounded taps. It's available in sizes 1700/700mm, 1700/750mm, and 1800/800mm. The range is offered in both 5mm acrylic and ultra-strong Beauforté, which significantly extends the life of the bath.



PRODUCT FEATURES

- 12 models
- Each available in: 5mm Acrylic & Ultra Strong Beauforté
- Supplied without pre-drilled tap holes or waste fittings
- 440mm depth on all Biscay Shower Bath models



Complete The Look

Description	Colour	Code	£ Ex VAT	£ Inc VAT
6mm Hinge Bath Screen	Matt Black	49.1101	205.00	246.00

Biscay Shower Bath LH shown with Helston bath filler 93.0020

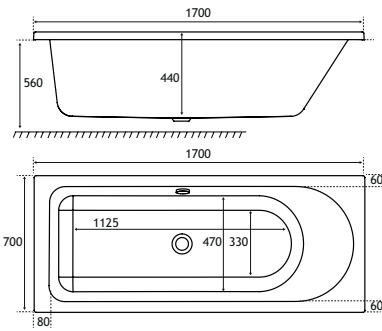
SHOWER BATH Biscay

1700 x 700 SB RH

1700 x 700 x 440mm

216 Litres

DESCRIPTION	CODE	£ EX VAT	£ INC VAT
1700 x 700 Biscay SB RH - 5mm	42.0216	317.00	380.40
1700 x 700 Biscay SB RH - Beauforté	42.1216	572.00	686.40
PANELS			
1700 x 560 Front Panel	42.5013	114.00	136.80
700 x 560 End Panel	42.5024	69.00	82.80
1700 x 560 Front Panel - Beauforté	42.6013	192.00	230.40
700 x 560 End Panel - Beauforté	42.6024	114.00	136.80
1810 x 810 L Shape Flat Panel - Beauforté	42.6035	367.00	440.40
1700 Adjustable Front Panel - Beauforté	42.6033	277.00	332.40

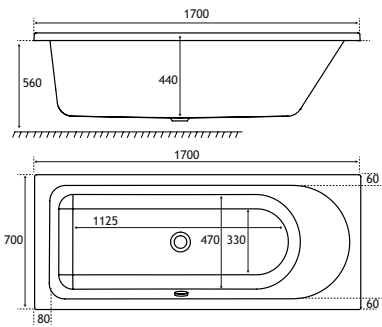


1700 x 700 SB LH

1700 x 700 x 440mm

216 Litres

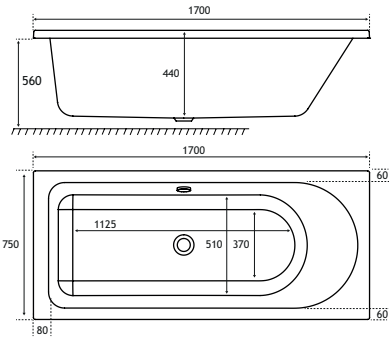
DESCRIPTION	CODE	£ EX VAT	£ INC VAT
1700 x 700 Biscay SB LH - 5mm	42.0215	317.00	380.40
1700 x 700 Biscay SB LH - Beauforté	42.1215	572.00	686.40
PANELS			
1700 x 560 Front Panel	42.5013	114.00	136.80
700 x 560 End Panel	42.5024	69.00	82.80
1700 x 560 Front Panel - Beauforté	42.6013	192.00	230.40
700 x 560 End Panel - Beauforté	42.6024	114.00	136.80
1810 x 810 L Shape Flat Panel - Beauforté	42.6035	367.00	440.40
1700 Adjustable Front Panel - Beauforté	42.6033	277.00	332.40



Biscay Shower Bath RH shown.

Biscay SHOWER BATH

1700 x 750 SB RH





1700 x 750 x 440mm

234 Litres

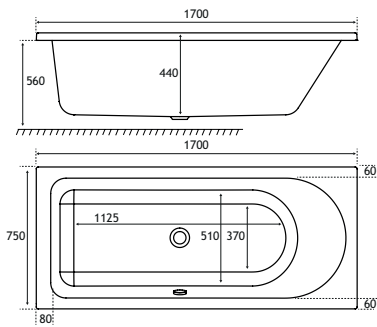
DESCRIPTION	CODE	£ EX VAT	£ INC VAT
1700 x 750 Biscay SB RH - 5mm	42.0214	393.00	471.60
1700 x 750 Biscay SB RH - Beauforté	42.1214	680.00	816.00

PANELS

1700 x 560 Front Panel	42.5013	114.00	136.80
750 x 560 End Panel	42.5023	69.00	82.80
1700 x 560 Front Panel - Beauforté	42.6013	192.00	230.40
750 x 560 End Panel - Beauforté	42.6023	114.00	136.80
1810 x 810 L Shape Flat Panel - Beauforté	42.6035	367.00	440.40
1700 Adjustable Front Panel - Beauforté	42.6033	277.00	332.40

-  SHOWER
-  440 DEPTH
-  HEAD REST
-  ULTRA STRONG

1700 x 750 SB LH





1700 x 750 x 440mm

234 Litres

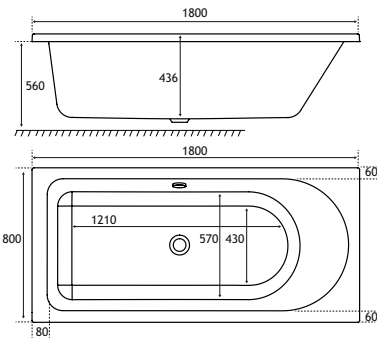
DESCRIPTION	CODE	£ EX VAT	£ INC VAT
1700 x 750 Biscay SB LH - 5mm	42.0213	393.00	471.60
1700 x 750 Biscay SB LH - Beauforté	42.1213	680.00	816.00

PANELS

1700 x 560 Front Panel	42.5013	114.00	136.80
750 x 560 End Panel	42.5023	69.00	82.80
1700 x 560 Front Panel - Beauforté	42.6013	192.00	230.40
750 x 560 End Panel - Beauforté	42.6023	114.00	136.80
1810 x 810 L Shape Flat Panel - Beauforté	42.6035	367.00	440.40
1700 Adjustable Front Panel - Beauforté	42.6033	277.00	332.40

-  SHOWER
-  440 DEPTH
-  HEAD REST
-  ULTRA STRONG

1800 x 800 SB RH



1800 x 800 x 440mm

268 Litres

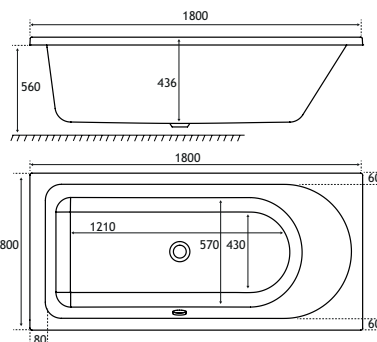
DESCRIPTION	CODE	£ EX VAT	£ INC VAT
1800 x 800 Biscay SB RH - 5mm	42.0212	468.00	561.60
1800 x 800 Biscay SB RH - Beauforté	42.1212	786.00	943.20

PANELS

1800 x 560 Front Panel	42.5012	127.00	152.40
800 x 560 End Panel	42.5022	69.00	82.80
1800 x 560 Front Panel - Beauforté	42.6012	203.00	243.60
800 x 560 End Panel - Beauforté	42.6022	124.00	148.80
1810 x 810 L Shape Flat Panel - Beauforté	42.6035	367.00	440.40
1800 Adjustable Front Panel - Beauforté	42.6032	288.00	345.60

-  SHOWER
-  440 DEPTH
-  HEAD REST
-  ULTRA STRONG

1800 x 800 SB LH



1800 x 800 x 440mm

268 Litres

DESCRIPTION	CODE	£ EX VAT	£ INC VAT
1800 x 800 Biscay SB LH - 5mm	42.0211	468.00	561.60
1800 x 800 Biscay SB LH - Beauforté	42.1211	786.00	943.20

PANELS

1800 x 560 Front Panel	42.5012	127.00	152.40
800 x 560 End Panel	42.5022	69.00	82.80
1800 x 560 Front Panel - Beauforté	42.6012	203.00	243.60
800 x 560 End Panel - Beauforté	42.6022	124.00	148.80
1810 x 810 L Shape Flat Panel - Beauforté	42.6035	367.00	440.40
1800 Adjustable Front Panel - Beauforté	42.6032	288.00	345.60

-  SHOWER
-  440 DEPTH
-  HEAD REST
-  ULTRA STRONG

SHOWER BATH Biscay

Bath Screens

Page 137-145



Biscay Shower Bath RH shown with Helston bath filler 93.0020

Universal Fittings

ALL 5mm & Beauforté baths come complete with Universal Fittings such as legs, feet & wall brackets etc. Organised ready for your bath installer to fit with ease.



Rockall SINGLE ENDED

The Rockall sea region is located off the west coast of Ireland and is where the largest wave ever recorded by a shipping vessel was encountered. The Rockall bath is evocative of this region, in a functional, sturdy, yet stylish design. Comfortably proportioned, this single-ended bath features a modern, angular look and perfectly complements the latest square profile sanitaryware and taps. The back end of the bath is curved for comfort and the silky finish gives it a luxurious appeal.

The Rockall is available in a wide range of bath sizes and in a choice of thickness - 5mm acrylic or ultra-strong Beauforté, which significantly extends the life of the bath.



PRODUCT FEATURES

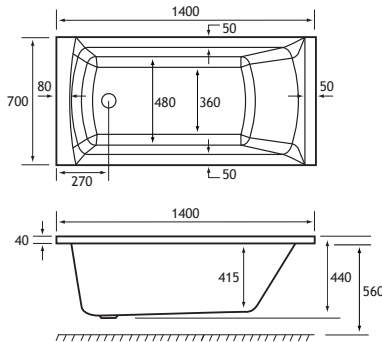
- 22 models
- Each available in: 5mm Acrylic & Ultra Strong Beauforté
- Supplied without pre-drilled tap holes or waste fittings
- 440mm depth on all Rockall SE models
- Sloping back rest at one end for lumbar support



Rockall SE shown. For bath screens see page 137-145 Adjustable bath panels on page 124 - 125

SINGLE ENDED Rockall

1400 x 700 SE



1400 x 700 x 440mm

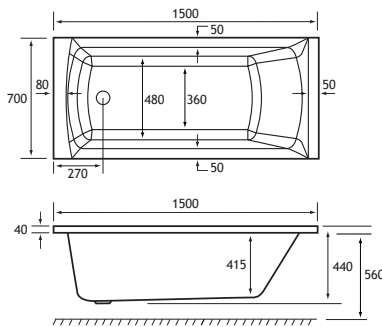
180 Litres

DESCRIPTION	CODE	£ EX VAT	£ INC VAT
1400 x 700 Rockall - 5mm	42.0090	284.00	340.80
1400 x 700 Rockall - Beauforté	42.1090	521.00	625.20
PANELS			
1500 x 560 Front Panel*	42.5017	114.00	136.80
700 x 560 End Panel	42.5024	69.00	82.80
1500 x 560 Front Panel - Beauforté*	42.6017	192.00	230.40
700 x 560 End Panel - Beauforté	42.6024	114.00	136.80
1810 x 810 L Shape Flat Panel - Beauforté	42.6035	367.00	440.40

*Panel requires cutting down.

-  SHOWER
-  440 DEPTH
-  HEAD REST
-  ULTRA STRONG

1500 x 700 SE



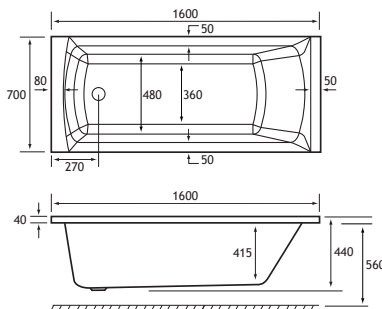
1500 x 700 x 440mm

191 Litres

DESCRIPTION	CODE	£ EX VAT	£ INC VAT
1500 x 700 Rockall - 5mm	42.0091	284.00	340.80
1500 x 700 Rockall - Beauforté	42.1091	521.00	625.20
PANELS			
1500 x 560 Front Panel	42.5017	114.00	136.80
700 x 560 End Panel	42.5024	69.00	82.80
1500 x 560 Front Panel - Beauforté	42.6017	192.00	230.40
700 x 560 End Panel - Beauforté	42.6024	114.00	136.80
1500 Adjustable Front Panel - Beauforté	42.6034	277.00	332.40
1810 x 810 L Shape Flat Panel - Beauforté	42.6035	367.00	440.40

-  SHOWER
-  440 DEPTH
-  HEAD REST
-  ULTRA STRONG

1600 x 700 SE



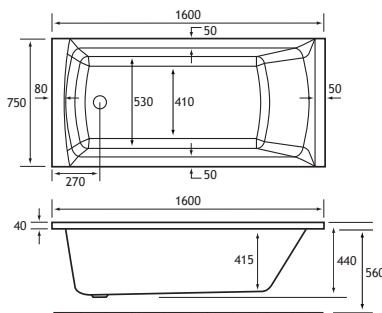
1600 x 700 x 440mm

213 Litres

DESCRIPTION	CODE	£ EX VAT	£ INC VAT
1600 x 700 Rockall - 5mm	42.0089	284.00	340.80
1600 x 700 Rockall - Beauforté	42.1089	521.00	625.20
PANELS			
1600 x 560 Front Panel	42.5016	114.00	136.80
700 x 560 End Panel	42.5024	69.00	82.80
1600 x 560 Front Panel - Beauforté	42.6016	192.00	230.40
700 x 560 End Panel - Beauforté	42.6024	114.00	136.80
1810 x 810 L Shape Flat Panel - Beauforté	42.6035	367.00	440.40

-  SHOWER
-  440 DEPTH
-  HEAD REST
-  ULTRA STRONG

1600 x 750 SE



1600 x 750 x 440mm

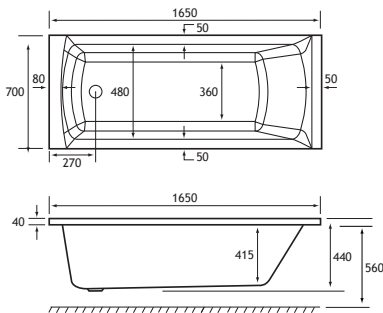
229 Litres

DESCRIPTION	CODE	£ EX VAT	£ INC VAT
1600 x 750 Rockall - 5mm	42.0085	351.00	421.20
1600 x 750 Rockall - Beauforté	42.1085	621.00	745.20
PANELS			
1600 x 560 Front Panel	42.5016	114.00	136.80
750x560 End Panel	42.5023	69.00	82.80
1600 x 560 Front Panel - Beauforté	42.6016	192.00	230.40
750 x 560 End Panel - Beauforté	42.6023	114.00	136.80
1810 x 810 L Shape Flat Panel - Beauforté	42.6035	367.00	440.40

-  SHOWER
-  440 DEPTH
-  HEAD REST
-  ULTRA STRONG

Rockall SINGLE ENDED

1650 x 700 SE



1650 x 700 x 440mm

229 Litres

DESCRIPTION	CODE	£ EX VAT	£ INC VAT
1650 x 700 Rockall - 5mm	42.0088	284.00	340.80
1650 x 700 Rockall - Beauforté	42.1088	521.00	625.20
PANELS			
1650 x 560 Front Panel	42.5015	114.00	136.80
700 x 560 End Panel	42.5024	69.00	82.80
1650 x 560 Front Panel - Beauforté	42.6015	192.00	230.40
700 x 560 End Panel - Beauforté	42.6024	114.00	136.80
1810 x 810 L Shape Flat Panel - Beauforté	42.6035	367.00	440.40



SHOWER



440 DEPTH

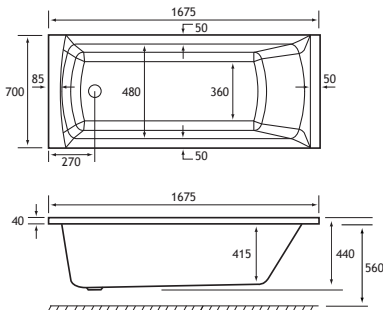


HEAD REST



ULTRA STRONG

1675 x 700 [5'6"] SE



1675 x 700 x 440mm

234 Litres

DESCRIPTION	CODE	£ EX VAT	£ INC VAT
1675 x 700 [5'6"] Rockall - 5mm	42.0087	284.00	340.80
1675 x 700 [5'6"] Rockall - Beauforté	42.1087	521.00	625.20
PANELS			
1675 x 560 Front Panel	42.5014	114.00	136.80
700 x 560 End Panel	42.5024	69.00	82.80
1675 x 560 Front Panel - Beauforté	42.6014	192.00	230.40
700 x 560 End Panel - Beauforté	42.6024	114.00	136.80
1810 x 810 L Shape Flat Panel - Beauforté	42.6035	367.00	440.40



SHOWER



440 DEPTH

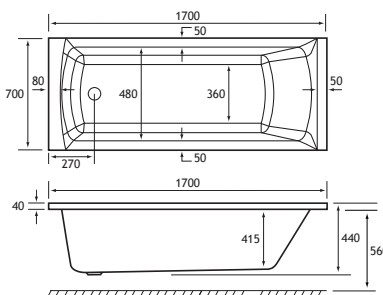


HEAD REST



ULTRA STRONG

1700 x 700 SE



1700 x 700 x 440mm

238 Litres

DESCRIPTION	CODE	£ EX VAT	£ INC VAT
1700 x 700 Rockall - 5mm	42.0086	284.00	340.80
1700 x 700 Rockall - Beauforté	42.1086	521.00	625.20
PANELS			
1700 x 560 Front Panel	42.5013	114.00	136.80
700 x 560 End Panel	42.5024	69.00	82.80
1700 x 560 Front Panel - Beauforté	42.6013	192.00	230.40
700 x 560 End Panel - Beauforté	42.6024	114.00	136.80
1700 Adjustable Front Panel - Beauforté	42.6033	277.00	332.40
1810 x 810 L Shape Flat Panel - Beauforté	42.6035	367.00	440.40



SHOWER



440 DEPTH

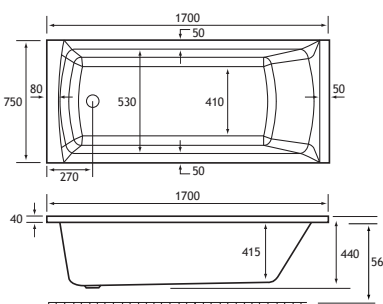


HEAD REST



ULTRA STRONG

1700 x 750 SE



1700 x 750 x 440mm

268 Litres

DESCRIPTION	CODE	£ EX VAT	£ INC VAT
1700 x 750 Rockall - 5mm	42.0084	350.00	420.00
1700 x 750 Rockall - Beauforté	42.1084	620.00	744.00
PANELS			
1700 x 560 Front Panel	42.5013	114.00	136.80
750x560 End Panel	42.5023	69.00	82.80
1700 x 560 Front Panel - Beauforté	42.6013	192.00	230.40
750 x 560 End Panel - Beauforté	42.6023	114.00	136.80
1700 Adjustable Front Panel - Beauforté	42.6033	277.00	332.40
1810 x 810 L Shape Flat Panel - Beauforté	42.6035	367.00	440.40



SHOWER



440 DEPTH



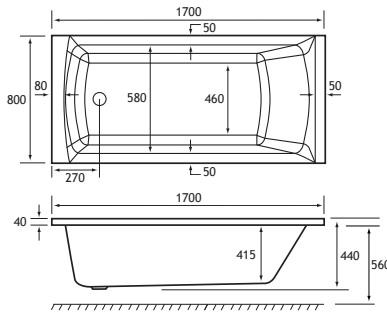
HEAD REST



ULTRA STRONG

SINGLE ENDED Rockall

1700 x 800 SE



1700 x 800 x 440mm

264 Litres

DESCRIPTION	CODE	£ EX VAT	£ INC VAT
1700 x 800 Rockall - 5mm	42.0083	387.00	464.40
1700 x 800 Rockall - Beauforté	42.1083	671.00	805.20

PANELS

1700 x 560 Front Panel	42.5013	114.00	136.80
800x560 End Panel	42.5022	69.00	82.80
1700 x 560 Front Panel - Beauforté	42.6013	192.00	230.40
800 x 560 End Panel - Beauforté	42.6022	124.00	148.80
1700 Adjustable Front Panel - Beauforté	42.6033	277.00	332.40
1810 x 810 L Shape Flat Panel - Beauforté	42.6035	367.00	440.40



SHOWER



440 DEPTH

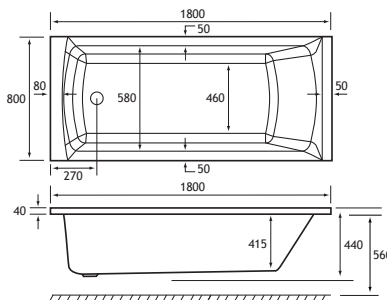


HEAD REST



ULTRA STRONG

1800 x 800 SE



1800 x 800 x 440mm

284 Litres

DESCRIPTION	CODE	£ EX VAT	£ INC VAT
1800 x 800 Rockall - 5mm	42.0082	418.00	501.60
1800 x 800 Rockall - Beauforté	42.1082	718.00	861.60

PANELS

1800 x 560 Front Panel	42.5012	127.00	152.40
800x560 End Panel	42.5022	69.00	82.80
1800 x 560 Front Panel - Beauforté	42.6012	203.00	243.60
800 x 560 End Panel - Beauforté	42.6022	124.00	148.80
1800 Adjustable Front Panel - Beauforté	42.6032	288.00	345.60
1810 x 810 L Shape Flat Panel - Beauforté	42.6035	367.00	440.40



SHOWER



440 DEPTH

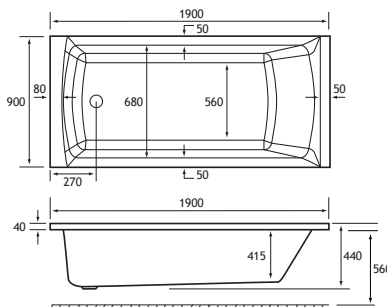


HEAD REST



ULTRA STRONG

1900 x 900 SE



1900 x 900 x 440mm

374 Litres

DESCRIPTION	CODE	£ EX VAT	£ INC VAT
1900 x 900 SE Rockall - 5mm	42.0081	566.00	679.20
1900 x 900 SE Rockall - Beauforté	42.1081	930.00	1116.00

PANELS

1900 x 560 Front Panel	42.5011	163.00	195.60
900x560 End Panel	42.5021	69.00	82.80
1900 x 560 Front Panel - Beauforté	42.6011	239.00	286.80
900 x 560 End Panel - Beauforté	42.6021	137.00	164.40



SHOWER



440 DEPTH



HEAD REST



ULTRA STRONG



Rockall SE shown. Adjustable bath panels on page 124 - 125

Rockall SINGLE ENDED, TWIN GRIP

The Rockall sea region is located off the west coast of Ireland and is where the largest wave ever recorded by a shipping vessel was encountered. The Rockall bath is evocative of this region, in a functional, sturdy, yet stylish design. Comfortably proportioned, this single-ended bath features a modern, angular look and perfectly complements the latest square profile sanitaryware and taps. The back end of the bath is curved for comfort and the silky finish gives it a luxurious appeal.

The Rockall is available in a wide range of bath sizes and in a choice of thickness - 5mm acrylic or ultra-strong Beauforté, which significantly extends the life of the bath.



PRODUCT FEATURES

- 22 models
- Each available in: 5mm Acrylic & Ultra Strong Beauforté
- Supplied without pre-drilled tap holes or waste fittings
- 440mm depth on all Rockall SE models
- Twin grips available in 6 colours (Sold separately)



Bath Screens

Page 137-145

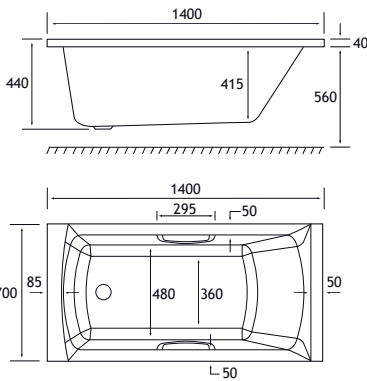


Rockall SE TG shown with Helston bath filler 93.0011

Adjustable bath panels on page 124 - 125

SINGLE ENDED, TWIN GRIP Rockall

1400 x 700 SE TG Grips Sold Separately Page 87



1400 x 700 x 440mm

180 Litres

DESCRIPTION	CODE	£ EX VAT	£ INC VAT
1400 x 700 TG Rockall - 5mm	42.0131	290.00	348.00
1400 x 700 TG Rockall - Beauforté	42.1131	530.00	636.00

PANELS

1500 x 560 Front Panel*	42.5017	114.00	136.80
700 x 560 End Panel	42.5024	69.00	82.80
1500 x 560 Front Panel - Beauforté*	42.6017	192.00	230.40
700 x 560 End Panel - Beauforté	42.6024	114.00	136.80
1810 x 810 L Shape Flat Panel - Beauforté	42.6035	367.00	440.40

*Panel requires cutting down.



SHOWER



440 DEPTH

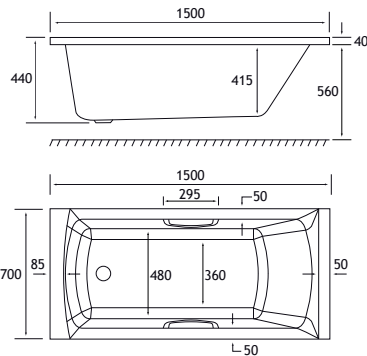


HEAD REST



ULTRA STRONG

1500 x 700 SE TG Grips Sold Separately Page 87



1500 x 700 x 440mm

191 Litres

DESCRIPTION	CODE	£ EX VAT	£ INC VAT
1500 x 700 TG Rockall - 5mm	42.0130	290.00	348.00
1500 x 700 TG Rockall - Beauforté	42.1130	530.00	636.00

PANELS

1500 x 560 Front Panel	42.5017	114.00	136.80
700 x 560 End Panel	42.5024	69.00	82.80
1500 x 560 Front Panel - Beauforté	42.6017	192.00	230.40
700 x 560 End Panel - Beauforté	42.6024	114.00	136.80
1500 Adjustable Front Panel - Beauforté	42.6034	277.00	332.40
1810 x 810 L Shape Flat Panel - Beauforté	42.6035	367.00	440.40



SHOWER



440 DEPTH

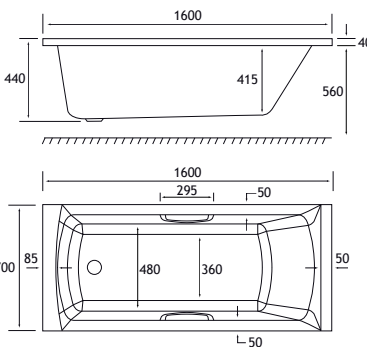


HEAD REST



ULTRA STRONG

1600 x 700 SE TG Grips Sold Separately Page 87



1600 x 700 x 440mm

213 Litres

DESCRIPTION	CODE	£ EX VAT	£ INC VAT
1600 x 700 TG Rockall - 5mm	42.0129	290.00	348.00
1600 x 700 TG Rockall - Beauforté	42.1129	530.00	636.00

PANELS

1600 x 560 Front Panel	42.5016	114.00	136.80
700 x 560 End Panel	42.5024	69.00	82.80
1600 x 560 Front Panel - Beauforté	42.6016	192.00	230.40
700 x 560 End Panel - Beauforté	42.6024	114.00	136.80
1810 x 810 L Shape Flat Panel - Beauforté	42.6035	367.00	440.40



SHOWER



440 DEPTH

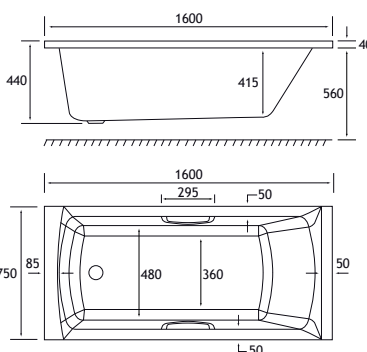


HEAD REST



ULTRA STRONG

1600 x 750 SE TG Grips Sold Separately Page 87



1600 x 750 x 440mm

229 Litres

DESCRIPTION	CODE	£ EX VAT	£ INC VAT
1600 x 750 TG Rockall - 5mm	42.0125	360.00	432.00
1600 x 750 TG Rockall - Beauforté	42.1125	632.00	758.40

PANELS

1600 x 560 Front Panel	42.5016	114.00	136.80
750 x 560 End Panel	42.5023	69.00	82.80
1600 x 560 Front Panel - Beauforté	42.6016	192.00	230.40
750 x 560 End Panel - Beauforté	42.6023	114.00	136.80
1810 x 810 L Shape Flat Panel - Beauforté	42.6035	367.00	440.40



SHOWER



440 DEPTH



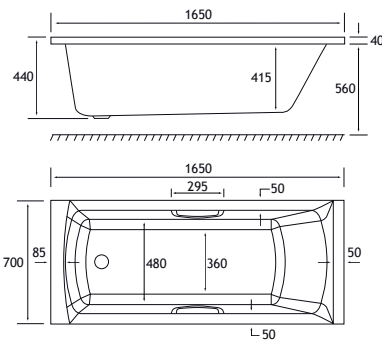
HEAD REST



ULTRA STRONG

Rockall SINGLE ENDED, TWIN GRIP

1650 x 700 SE TG Grips Sold Separately



1650 x 700 x 440mm **229 Litres**

DESCRIPTION	CODE	£ EX VAT	£ INC VAT
1650 x 700 TG Rockall - 5mm	42.0128	290.00	348.00
1650 x 700 TG Rockall - Beauforté	42.1128	530.00	636.00

PANELS			
1650 x 560 Front Panel	42.5015	114.00	136.80
700 x 560 End Panel	42.5024	69.00	82.80
1650 x 560 Front Panel - Beauforté	42.6015	192.00	230.40
700 x 560 End Panel - Beauforté	42.6024	114.00	136.80
1810 x 810 L Shape Flat Panel - Beauforté	42.6035	367.00	440.40



SHOWER



440 DEPTH

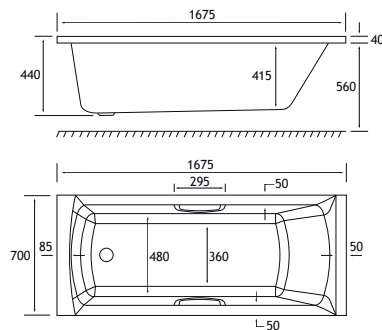


HEAD REST



ULTRA STRONG

1675 x 700 [5'6"] SE TG Grips Sold Separately



1675 x 700 x 440mm **234 Litres**

DESCRIPTION	CODE	£ EX VAT	£ INC VAT
1675 x 700 TG Rockall - 5mm	42.0127	290.00	348.00
1675 x 700 TG Rockall - Beauforté	42.1127	530.00	636.00

PANELS			
1675 x 560 Front Panel	42.5014	114.00	136.80
700 x 560 End Panel	42.5024	69.00	82.80
1675 x 560 Front Panel - Beauforté	42.6014	192.00	230.40
700 x 560 End Panel - Beauforté	42.6024	114.00	136.80
1810 x 810 L Shape Flat Panel - Beauforté	42.6035	367.00	440.40



SHOWER



440 DEPTH

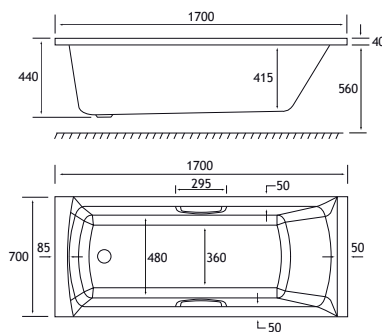


HEAD REST



ULTRA STRONG

1700 x 700 SE TG Grips Sold Separately



1700 x 700 x 440mm **238 Litres**

DESCRIPTION	CODE	£ EX VAT	£ INC VAT
1700 x 700 TG Rockall - 5mm	42.0126	290.00	348.00
1700 x 700 TG Rockall - Beauforté	42.1126	530.00	636.00

PANELS			
1700 x 560 Front Panel	42.5013	114.00	136.80
700 x 560 End Panel	42.5024	69.00	82.80
1700 x 560 Front Panel - Beauforté	42.6013	192.00	230.40
700 x 560 End Panel - Beauforté	42.6024	114.00	136.80
1700 Adjustable Front Panel - Beauforté	42.6033	277.00	332.40
1810 x 810 L Shape Flat Panel - Beauforté	42.6035	367.00	440.40



SHOWER



440 DEPTH

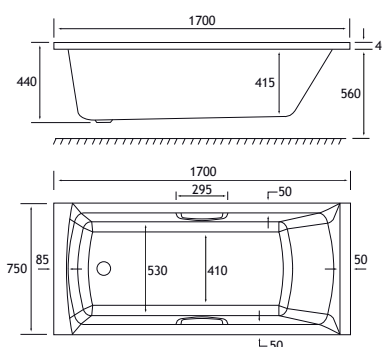


HEAD REST



ULTRA STRONG

1700 x 750 SE TG Grips Sold Separately



1700 x 750 x 440mm **268 Litres**

DESCRIPTION	CODE	£ EX VAT	£ INC VAT
1700 x 750 TG Rockall - 5mm	42.0124	359.00	430.80
1700 x 750 TG Rockall - Beauforté	42.1124	630.00	756.00

PANELS			
1700 x 560 Front Panel	42.5013	114.00	136.80
750x560 End Panel	42.5023	69.00	82.80
1700 x 560 Front Panel - Beauforté	42.6013	192.00	230.40
750 x 560 End Panel - Beauforté	42.6023	114.00	136.80
1700 Adjustable Front Panel - Beauforté	42.6033	277.00	332.40
1810 x 810 L Shape Flat Panel - Beauforté	42.6035	367.00	440.40



SHOWER



440 DEPTH



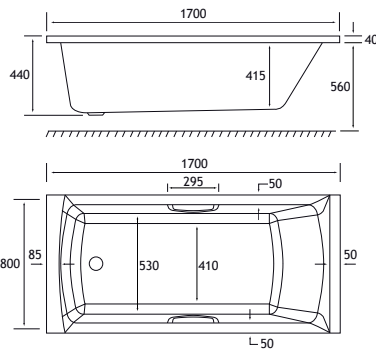
HEAD REST



ULTRA STRONG

SINGLE ENDED, TWIN GRIP Rockall

1700 x 800 SE TG Grips Sold Separately



1700 x 800 x 440mm **264 Litres**

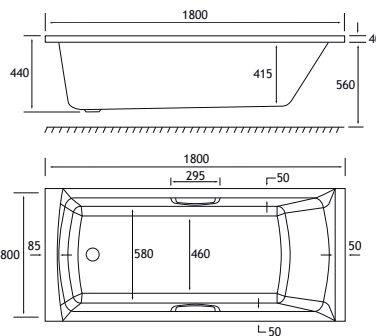
DESCRIPTION	CODE	£ EX VAT	£ INC VAT
1700 x 800 TG Rockall - 5mm	42.0123	398.00	477.60
1700 x 800 TG Rockall - Beauforté	42.1123	684.00	820.80

PANELS

1700 x 560 Front Panel	42.5013	114.00	136.80
800 x 560 End Panel	42.5022	69.00	82.80
1700 x 560 Front Panel - Beauforté	42.6013	192.00	230.40
800 x 560 End Panel - Beauforté	42.6022	124.00	148.80
1700 Adjustable Front Panel - Beauforté	42.6033	277.00	332.40
1810 x 810 L Shape Flat Panel - Beauforté	42.6035	367.00	440.40



1800 x 800 SE TG Grips Sold Separately



1800 x 800 x 440mm **284 Litres**

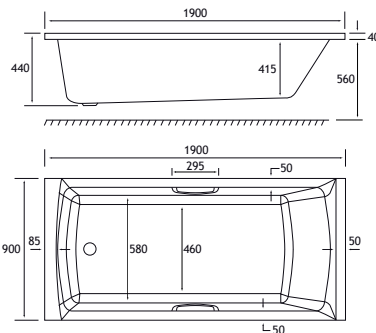
DESCRIPTION	CODE	£ EX VAT	£ INC VAT
1800 x 800 TG Rockall - 5mm	42.0122	429.00	514.80
1800 x 800 TG Rockall - Beauforté	42.1122	730.00	876.00

PANELS

1800 x 560 Front Panel	42.5012	127.00	152.40
800 x 560 End Panel	42.5022	69.00	82.80
1800 x 560 Front Panel - Beauforté	42.6012	203.00	243.60
800 x 560 End Panel - Beauforté	42.6022	124.00	148.80
1800 Adjustable Front Panel - Beauforté	42.6032	288.00	345.60
1810 x 810 L Shape Flat Panel - Beauforté	42.6035	367.00	440.40



1900 x 900 SE TG Grips Sold Separately



1900 x 900 x 440mm **374 Litres**

DESCRIPTION	CODE	£ EX VAT	£ INC VAT
1900 x 900 TG Rockall - 5mm	42.0121	578.00	693.60
1900 x 900 TG Rockall - Beauforté	42.1121	944.00	1132.80

PANELS

1900 x 560 Front Panel	42.5011	163.00	195.60
900 x 560 End Panel	42.5021	69.00	82.80
1900 x 560 Front Panel - Beauforté	42.6011	239.00	286.80
900 x 560 End Panel - Beauforté	42.6021	137.00	164.40



Rockall Twin Grips

DESCRIPTION	CODE	£ EX VAT	£ INC VAT
Rockall SE Chrome Grips (pair)	42.1201	33.00	39.60
Rockall SE Matt White Grips (pair)	42.1202	46.00	55.20
Rockall SE Matt Grey Grips (pair)	42.1203	46.00	55.20
Rockall SE Matt Black Grips (pair)	42.1204	46.00	55.20
Rockall SE Matt Cappuccino Grips (pair)	42.1205	46.00	55.20
Rockall SE Matt Anthracite Grips (pair)	42.1206	46.00	55.20

See page 122 - 123 for all Twin Grip images & bath accessories.
All grips sold separately.



Malin SINGLE ENDED

Malin is the sea region off the rugged Irish north coast, renowned for its strong sea winds, majestic landscapes, and high tides. The strength and clarity of the Malin bath is suggestive of this region, with its minimalist, clean lines, and gently curved back rest support. Featuring narrow ledges on 3 sides, the ultra-modern design of the Malin offers a larger internal bathing space than a deeper-sided bath of the same dimensions.

The Malin is available in both single-ended and double-ended bath variants and in a wide choice of sizes. The range is offered in both 5mm acrylic and ultra-strong Beauforté, which significantly extends the life of the bath.



PRODUCT FEATURES

- 12 SE models
- Each available in: 5mm Acrylic & Ultra Strong Beauforté
- Supplied without pre-drilled tap holes or waste fittings
- 440mm depth on all Malin SE models
- Modern thin rim for maximised bathing space



Bath Screens

Page 137-145



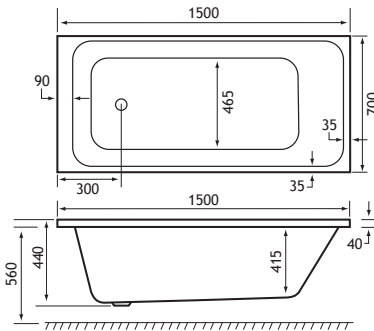
Malin SE shown. Adjustable bath panels on page 124 - 125

SINGLE ENDED Malin

1500 x 700 SE

1500 x 700 x 440mm

212 Litres



DESCRIPTION	CODE	£ EX VAT	£ INC VAT
1500 x 700 Malin - 5mm	42.0065	307.00	368.40
1500 x 700 Malin - Beauforté	42.1065	556.00	667.20
PANELS			
1500 x 560 Front Panel	42.5017	114.00	136.80
700 x 560 End Panel	42.5024	69.00	82.80
1500 x 560 Front Panel - Beauforté	42.6017	192.00	230.40
700 x 560 End Panel - Beauforté	42.6024	114.00	136.80
1500 Adjustable Front Panel - Beauforté	42.6034	277.00	332.40
1810 x 810 L Shape Flat Panel - Beauforté	42.6035	367.00	440.40



SHOWER



HEAD REST



440 DEPTH

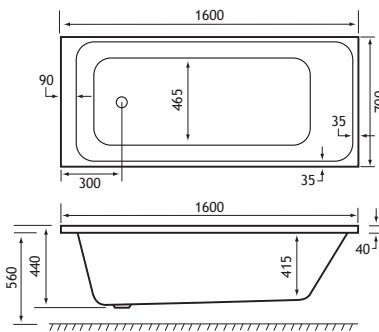


ULTRA STRONG

1600 x 700 SE

1600 x 700 x 440mm

230 Litres



DESCRIPTION	CODE	£ EX VAT	£ INC VAT
1600 x 700 Malin - 5mm	42.0064	307.00	368.40
1600 x 700 Malin - Beauforté	42.1064	556.00	667.20
PANELS			
1600 x 560 Front Panel	42.5016	114.00	136.80
700 x 560 End Panel	42.5024	69.00	82.80
1600 x 560 Front Panel - Beauforté	42.6016	192.00	230.40
700 x 560 End Panel - Beauforté	42.6024	114.00	136.80
1810 x 810 L Shape Flat Panel - Beauforté	42.6035	367.00	440.40



SHOWER



HEAD REST



440 DEPTH

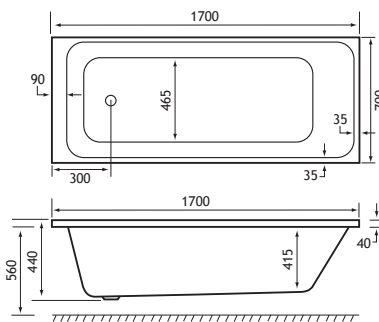


ULTRA STRONG

1700 x 700 SE

1700 x 700 x 440mm

238 Litres



DESCRIPTION	CODE	£ EX VAT	£ INC VAT
1700 x 700 Malin - 5mm	42.0063	307.00	368.40
1700 x 700 Malin - Beauforté	42.1063	556.00	667.20
PANELS			
1700 x 560 Front Panel	42.5013	114.00	136.80
700 x 560 End Panel	42.5024	69.00	82.80
1700 x 560 Front Panel - Beauforté	42.6013	192.00	230.40
700 x 560 End Panel - Beauforté	42.6024	114.00	136.80
1700 Adjustable Front Panel - Beauforté	42.6033	277.00	332.40
1810 x 810 L Shape Flat Panel - Beauforté	42.6035	367.00	440.40



SHOWER



HEAD REST



440 DEPTH

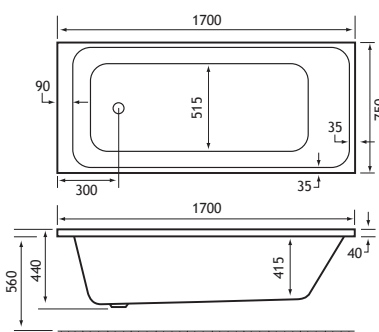


ULTRA STRONG

1700 x 750 SE

1700 x 750 x 440mm

270 Litres



DESCRIPTION	CODE	£ EX VAT	£ INC VAT
1700 x 750 Malin - 5mm	42.0062	373.00	447.60
1700 x 750 Malin - Beauforté	42.1062	652.00	782.40
PANELS			
1700 x 560 Front Panel	42.5013	114.00	136.80
750x560 End Panel	42.5023	69.00	82.80
1700 x 560 Front Panel - Beauforté	42.6013	192.00	230.40
750 x 560 End Panel - Beauforté	42.6023	114.00	136.80
1700 Adjustable Front Panel - Beauforté	42.6033	277.00	332.40
1810 x 810 L Shape Flat Panel - Beauforté	42.6035	367.00	440.40



SHOWER



HEAD REST



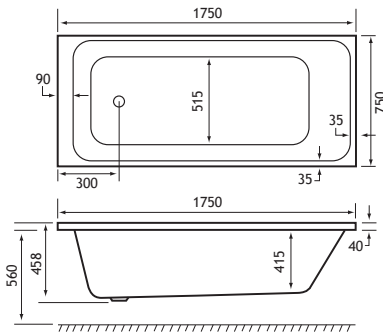
440 DEPTH



ULTRA STRONG

Malin SINGLE ENDED

NEW 1750 x 750 SE



1750 x 750 x 440mm

274 Litres

DESCRIPTION	CODE	£ EX VAT	£ INC VAT
1750 x 750 Malin - 5mm	42.0066	487.00	584.40
1750 x 750 Malin - Beauforté	42.1066	817.00	854.40
PANELS			
1750 x 560 Front Panel	42.5018	128.00	153.61
750x560 End Panel	42.5023	69.00	82.80
1750 x 560 Front Panel - Beauforté	42.6018	200.00	240.00
750 x 560 End Panel - Beauforté	42.6023	114.00	136.80
1700 Adjustable Front Panel - Beauforté	42.6033	277.00	332.40
1810 x 810 L Shape Flat Panel - Beauforté	42.6035	367.00	440.40



SHOWER



HEAD REST

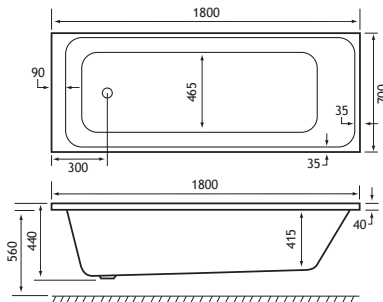


440 DEPTH



ULTRA STRONG

1800 x 700 SE



1800 x 700 x 440mm

267 Litres

DESCRIPTION	CODE	£ EX VAT	£ INC VAT
1800 x 700 Malin - 5mm	42.0061	415.00	498.00
1800 x 700 Malin - Beauforté	42.1061	712.00	854.40
PANELS			
1800 x 560 Front Panel	42.5012	127.00	152.40
700 x 560 End Panel	42.5024	69.00	82.80
1800 x 560 Front Panel - Beauforté	42.6012	203.00	243.60
700 x 560 End Panel - Beauforté	42.6024	114.00	136.80
1800 Adjustable Front Panel - Beauforté	42.6032	288.00	345.60
1810 x 810 L Shape Flat Panel - Beauforté	42.6035	367.00	440.40



SHOWER



HEAD REST



440 DEPTH



ULTRA STRONG

Abberton Tap Range **NEW**

Abberton Bath Filler

Description	Code	£ Ex VAT	£ Inc VAT
Abberton Bath Filler - Chrome	79.1041	138.00	165.60
Abberton Bath Filler - Smooth Black	79.1042	146.00	175.20
Abberton Bath Filler - Brushed Brass	79.1043	155.00	186.00

Abberton Bath Mixer + Kit: Handset, Bracket & Hose

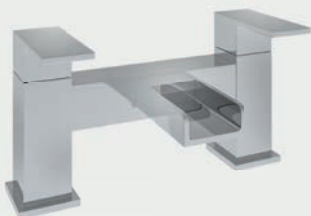
Description	Code	£ Ex VAT	£ Inc VAT
Abberton BSM + Kit - Chrome	79.1037	162.00	194.40
Abberton BSM + Kit - Smooth Black	79.1038	176.00	211.20
Abberton BSM + Kit - Brushed Brass	79.1039	189.00	226.80

Full range, including Basin Monos in Taps section.

MP - 0.5 bar minimum

MP

NEW



79.1041

MP

NEW



79.1042

MP

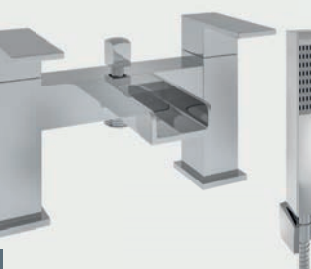
NEW



79.1043

MP

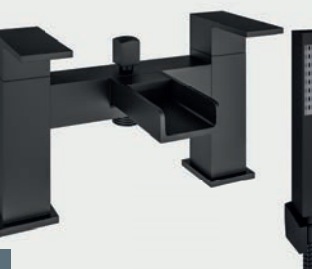
NEW



79.1037

MP

NEW



79.1038

MP

NEW



79.1039

SINGLE ENDED Malin

Complete The Look

Description	Colour	Code	£ Ex VAT	£ Inc VAT
Helston Bath Filler	Chrome	93.0011	176.00	211.20
Modern Square Thermostatic Shower Pole	Chrome	60.1001	224.00	268.80
Volente 6mm Hinge Bath Screen	Chrome	58.702	216.00	259.20



Malin SE shown. Adjustable bath panels on page 124 - 125

Malin DOUBLE ENDED

Malin is the sea region off the rugged Irish north coast, renowned for its strong sea winds, majestic landscapes, and high tides. The strength and clarity of the Malin bath is suggestive of this region, with its minimalist, clean lines, and gently curved back rest support. Featuring narrow ledges on 3 sides, the ultra-modern design of the Malin offers a larger internal bathing space than a deeper-sided bath of the same dimensions.

The Malin is available in both single-ended and double-ended bath variants and in a wide choice of sizes. The range is offered in both 5mm acrylic and ultra-strong Beauforté, which significantly extends the life of the bath.



PRODUCT FEATURES

- 12 DE models
- Each available in: 5mm Acrylic & Ultra Strong Beauforté
- Supplied without pre-drilled tap holes or waste fittings
- 440mm depth on all Portland SE models
- Modern thin rim for maximised bathing space

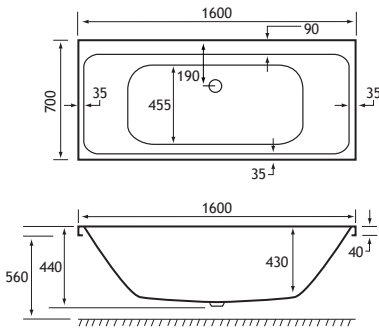


Malin DE shown with Helston bath filler 93.0011

Adjustable bath panels on page 124 - 125

DOUBLE ENDED Malin

1600 x 700 DE



1600 x 700 x 440mm

210 Litres

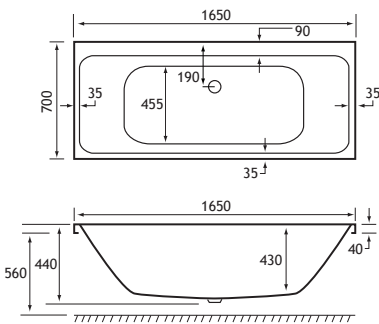
DESCRIPTION	CODE	£ EX VAT	£ INC VAT
1600 x 700 Malin - 5mm	42.0075	322.00	386.40
1600 x 700 Malin - Beauforté	42.1075	577.00	692.40
PANELS			
1600 x 560 Front Panel	42.5016	114.00	136.80
700 x 560 End Panel	42.5024	69.00	82.80
1600 x 560 Front Panel - Beauforté	42.6016	192.00	230.40
700 x 560 End Panel - Beauforté	42.6024	114.00	136.80
1810 x 810 L Shape Flat Panel - Beauforté	42.6035	367.00	440.40

HEAD REST

440 DEPTH

ULTRA STRONG

1650 x 700 DE



1650 x 700 x 440mm

219 Litres

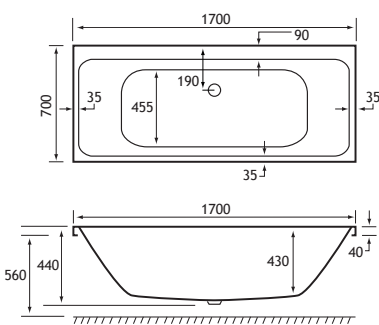
DESCRIPTION	CODE	£ EX VAT	£ INC VAT
1650 x 700 Malin - 5mm	42.0074	322.00	386.40
1650 x 700 Malin - Beauforté	42.1074	577.00	692.40
PANELS			
1650 x 560 Front Panel	42.5015	114.00	136.80
700 x 560 End Panel	42.5024	69.00	82.80
1650 x 560 Front Panel - Beauforté	42.6015	192.00	230.40
700 x 560 End Panel - Beauforté	42.6024	114.00	136.80
1810 x 810 L Shape Flat Panel - Beauforté	42.6035	367.00	440.40

HEAD REST

440 DEPTH

ULTRA STRONG

1700 x 700 DE



1700 x 700 x 440mm

227 Litres

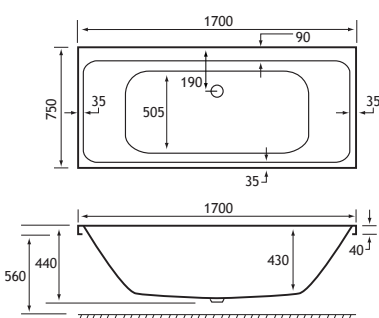
DESCRIPTION	CODE	£ EX VAT	£ INC VAT
1700 x 700 Malin - 5mm	42.0073	322.00	386.40
1700 x 700 Malin - Beauforté	42.1073	577.00	692.40
PANELS			
1700 x 560 Front Panel	42.5013	114.00	136.80
700 x 560 End Panel	42.5024	69.00	82.80
1700 x 560 Front Panel - Beauforté	42.6013	192.00	230.40
700 x 560 End Panel - Beauforté	42.6024	114.00	136.80
1700 Adjustable Front Panel - Beauforté	42.6033	277.00	332.40
1810 x 810 L Shape Flat Panel - Beauforté	42.6035	367.00	440.40

HEAD REST

440 DEPTH

ULTRA STRONG

1700 x 750 DE



1700 x 750 x 440mm

248 Litres

DESCRIPTION	CODE	£ EX VAT	£ INC VAT
1700 x 750 Malin - 5mm	42.0072	390.00	468.00
1700 x 750 Malin - Beauforté	42.1072	675.00	810.00
PANELS			
1700 x 560 Front Panel	42.5013	114.00	136.80
750x560 End Panel	42.5023	69.00	82.80
1700 x 560 Front Panel - Beauforté	42.6013	192.00	230.40
750 x 560 End Panel - Beauforté	42.6023	114.00	136.80
1700 Adjustable Front Panel - Beauforté	42.6033	277.00	332.40
1810 x 810 L Shape Flat Panel - Beauforté	42.6035	367.00	440.40

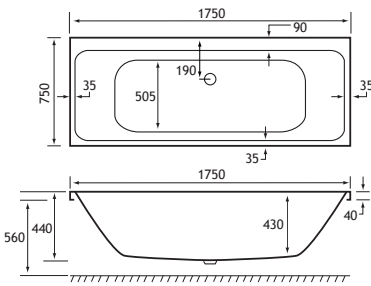
HEAD REST

440 DEPTH

ULTRA STRONG

Malin DOUBLE ENDED

NEW **1750 x 750 DE**



1750 x 750 x 440mm

254 Litres

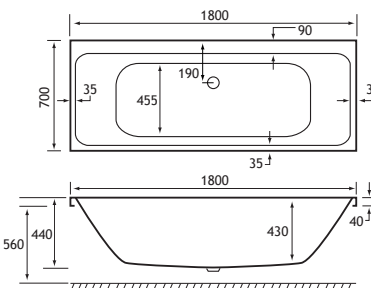
DESCRIPTION	CODE	£ EX VAT	£ INC VAT
1750 x 750 Malin - 5mm	42.0076	487.00	584.40
1750 x 750 Malin - Beauforté	42.1076	817.00	980.40
PANELS			
1750 x 560 Front Panel	42.5018	128.00	153.61
750x560 End Panel	42.5023	69.00	82.80
1750 x 560 Front Panel - Beauforté	42.6018	200.00	240.00
750 x 560 End Panel - Beauforté	42.6023	114.00	136.80
1700 Adjustable Front Panel - Beauforté	42.6033	277.00	332.40
1810 x 810 L Shape Flat Panel - Beauforté	42.6035	367.00	440.40

HEAD REST

440 DEPTH

ULTRA STRONG

1800 x 700 DE



1800 x 700 x 440mm

238 Litres

DESCRIPTION	CODE	£ EX VAT	£ INC VAT
1800 x 700 Malin - 5mm	42.0071	431.00	517.20
1800 x 700 Malin - Beauforté	42.1071	735.00	882.00
PANELS			
1800 x 560 Front Panel	42.5012	127.00	152.40
700 x 560 End Panel	42.5024	69.00	82.80
1800 x 560 Front Panel - Beauforté	42.6012	203.00	243.60
700 x 560 End Panel - Beauforté	42.6024	114.00	136.80
1800 Adjustable Front Panel - Beauforté	42.6032	288.00	345.60
1810 x 810 L Shape Flat Panel - Beauforté	42.6035	367.00	440.40

HEAD REST

440 DEPTH

ULTRA STRONG

Complete The Look

The ultra modern design of the Malin Double Ended Bath allows you to match similar thin edged sleek bathroom products really easily. Create that fresh and contemporary bathroom feel by completing the look.



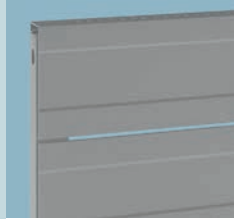
We suggest the **Gravina** wall hung basin unit. Available in High Gloss White & High Gloss Grey, both with a soft close drawer. Page 254-255

DOUBLE ENDED Malin

Connect Your Colours at Eastbrook



Eastbrook Taps



Eastbrook Radiators



Eastbrook Units



Malin DE shown with Helston bath filler 93.0011

Adjustable bath panels on page 124 - 125

Malin D-SHAPE BACK TO WALL

Malin is the sea region off the rugged Irish north coast, renowned for its strong sea winds, majestic landscapes, and high tides. The strength and clarity of the Malin bath is suggestive of this region, with its minimalist, clean lines, and gently curved back rest support. Featuring narrow ledges on 3 sides, the ultra-modern design of the Malin offers a larger internal bathing space than a deeper-sided bath of the same dimensions.

The range is offered in both 5mm acrylic and ultra-strong Beauforté, which significantly extends the life of the bath.



PRODUCT FEATURES

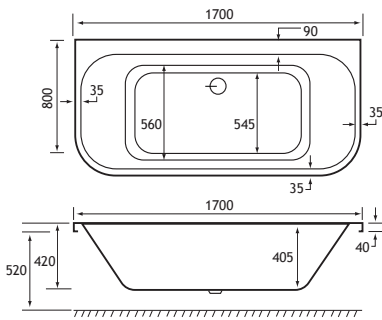
- 2 D-Shape models
- Each available in: 5mm Acrylic & Ultra Strong Beauforté
- Supplied without pre-drilled tap holes or waste fittings
- 440mm depth on all D-Shape BTW models
- Modern thin rim for maximised bathing space



Malin D Shape BTW shown with Helston bath filler 93.0011

D-SHAPE BACK TO WALL Malin

NEW 1700 x 800 BTW



1700 x 800 x 440mm

254 Litres

DESCRIPTION	CODE	£ EX VAT	£ INC VAT
1700 x 800 Malin D-Shape BTW - 5mm	42.0241	533.00	639.60
1700 x 800 Malin D-Shape BTW - Beauforté	42.1241	872.00	1046.40

PANELS	CODE	£ EX VAT	£ INC VAT
1700 x 800 D-Shape One Piece Front Panel - 5mm	42.5091	263.00	315.63

HEAD REST

440 DEPTH

ULTRA STRONG

Headrests



DESCRIPTION	CODE	£ EX VAT	£ INC VAT
Universal Foam Headrest	84.0001	39.00	46.80



DESCRIPTION	CODE	£ EX VAT	£ INC VAT
Universal PU Gel Headrest	84.0000	76.00	91.20



Shannon L-SHAPE

The robust but comfortable single ended Shannon L-Shape Shower Bath is reminiscent of the Malin region, with its minimalist, clean lines along with a wider space at one end of the bath for showering.

This space efficient bath provides a deceptively large bathing area and is 400mm at its deepest point, ensuring a luxurious, comfortable soak.

The Shannon L-Shape Shower Bath is available in left or right-handed bath variants, and in a choice of 1500 x 850mm and 1700 x 850mm. The range is offered in both 4mm acrylic and ultra-strong Beauforté, which significantly extends the life of the bath.



PRODUCT FEATURES

- 8 models
- Each available in: 4mm Acrylic & Ultra Strong Beauforté
- Supplied without pre-drilled tap holes or waste fittings
- 400mm depth on all Shannon SE models
- Wider space at one end for showering

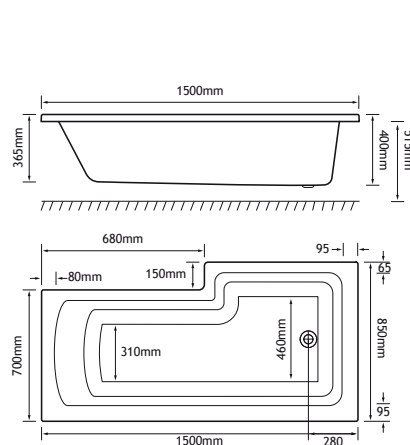


Bath Screens

Page 137 - 145



Shannon L-Shape LH shown. For bath screens see page 137-145



1500 x 850 LH

NEW BEAUFORTÉ PANELS

1500 x 850/700 x 400mm

194 Litres

DESCRIPTION	CODE	£ EX VAT	£ INC VAT
1500 x 850 L-Shape LH - 4mm	42.0103	393.00	471.60
1500 x 850 L-Shape LH - Beauforté	42.1103	692.00	830.40

PANELS

1500 x 515 L-Shape Front Panel	42.5032	114.00	136.80
1500 x 515 L-Shape Front Panel - Beauforté	42.6045	350.00	420.00
L-Shape Universal End Panel	42.5033	64.00	76.80
L-Shape Universal End Panel - Beauforté	42.6046	123.00	147.61

BATH SCREENS

Beaufort Screen 1400mm	58.4000	335.00	402.00
Beaufort Screen 1400mm with Towel Rail	69.0141	450.00	540.00



SHOWER



HEAD REST



400 DEPTH

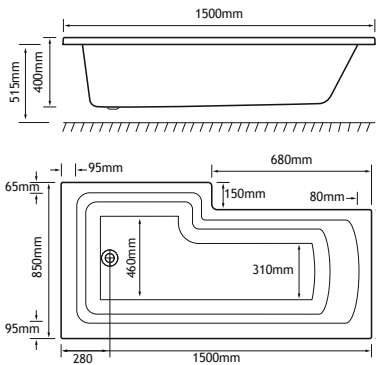


ULTRA STRONG

L-SHAPE Shannon

1500 x 850 RH

NEW BEAUFORTÉ PANELS



1500 x 850/700 x 400mm

194 Litres

DESCRIPTION	CODE	£ EX VAT	£ INC VAT
1500 x 850 L-Shape RH - 4mm	42.0104	393.00	471.60
1500 x 850 L-Shape RH - Beauforté	42.1104	692.00	830.40

PANELS

1500 x 515 L-Shape Front Panel	42.5032	114.00	136.80
1500 x 515 L-Shape Front Panel - Beauforté	42.6045	350.00	420.00
L-Shape Universal End Panel	42.5033	64.00	76.80
L-Shape Universal End Panel - Beauforté	42.6046	123.00	147.61

BATH SCREENS

Beaufort Screen 1400mm	58.4000	335.00	402.00
Beaufort Screen 1400mm with Towel Rail	69.0141	450.00	540.00



SHOWER



HEAD REST



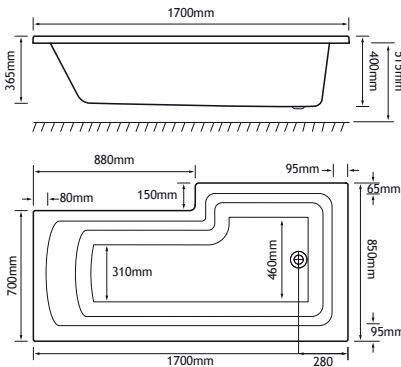
400 DEPTH



ULTRA STRONG

1700 x 850 LH

NEW BEAUFORTÉ PANELS



1700 x 850/700 x 400mm

221 Litres

DESCRIPTION	CODE	£ EX VAT	£ INC VAT
1700 x 850 L-Shape LH - 4mm	42.0101	393.00	471.60
1700 x 850 L-Shape LH - Beauforté	42.1101	692.00	830.40

PANELS

1700 x 515 L-Shape Front Panel	42.5031	114.00	136.80
1700 x 515 L-Shape Front Panel - Beauforté	42.6044	350.00	420.00
L-Shape Universal End Panel	42.5033	64.00	76.80
L-Shape Universal End Panel - Beauforté	42.6046	123.00	147.61

BATH SCREENS

Beaufort Screen 1400mm	58.4000	335.00	402.00
Beaufort Screen 1400mm with Towel Rail	69.0141	450.00	540.00



SHOWER



HEAD REST



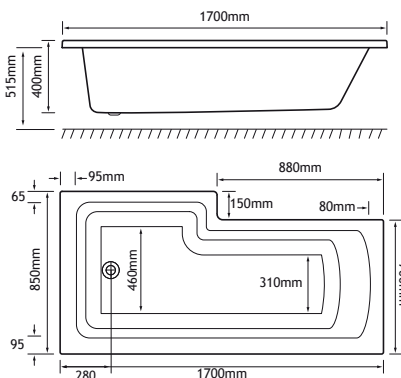
400 DEPTH



ULTRA STRONG

1700 x 850 RH

NEW BEAUFORTÉ PANELS



1700 x 850/700 x 400mm

221 Litres

DESCRIPTION	CODE	£ EX VAT	£ INC VAT
1700 x 850 L-Shape RH - 4mm	42.0102	393.00	471.60
1700 x 850 L-Shape RH - Beauforté	42.1102	692.00	830.40

PANELS

1700 x 515 L-Shape Front Panel	42.5031	114.00	136.80
1700 x 515 L-Shape Front Panel - Beauforté	42.6044	350.00	420.00
L-Shape Universal End Panel	42.5033	64.00	76.80
L-Shape Universal End Panel - Beauforté	42.6046	123.00	147.61

BATH SCREENS

Beaufort Screen 1400mm	58.4000	335.00	402.00
Beaufort Screen 1400mm with Towel Rail	69.0141	450.00	540.00



SHOWER



HEAD REST



400 DEPTH



ULTRA STRONG

Universal Fittings

ALL 5mm & Beauforté baths come complete with Universal Fittings such as legs, feet & wall brackets etc. Organised ready for your bath installer to fit with ease.



Shannon P-SHAPE

The robust but comfortable single ended Shannon P-Shape Shower Bath is reminiscent of the Biscay region, it has a wider curved space at one end of the bath for showering.

This space efficient bath provides a deceptively large bathing area and is 400mm at its deepest point, ensuring a luxurious, comfortable soak.

The Shannon P-Shape Shower Bath is available in left or right-handed bath variants, and in a choice of 1500 x 850mm and 1700 x 850mm. The range is offered in both 4mm acrylic and ultra-strong Beauforté, which significantly extends the life of the bath.



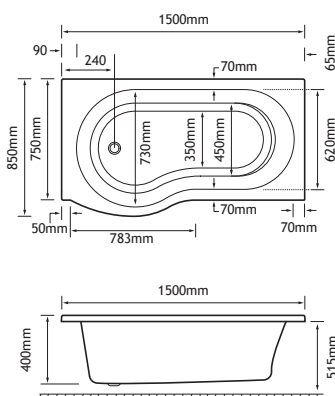
PRODUCT FEATURES

- 8 models
- Each available in: 4mm Acrylic & Ultra Strong Beauforté
- Supplied without pre-drilled tap holes or waste fittings
- 400mm depth on all Shannon SE models
- Wider curved space at one end for showering



Shannon P-Shape Left Hand (LH) shown.

For bath screens see page 137-145



1500 x 850 LH

NEW BEAUFORTÉ PANELS

1500 x 850/750 x 400mm

179 Litres

DESCRIPTION	CODE	£ EX VAT	£ INC VAT
1500 x 850 P-Shape LH - 4mm	42.0107	393.00	471.60
1500 x 850 P-Shape LH - Beauforté	42.1107	692.00	830.40
PANELS			
1500 x 515 P-Shape Front Panel	42.5042	114.00	136.80
1500 x 515 P-Shape Front Panel - Beauforté	42.6042	343.00	411.64
P-Shape Universal End Panel	42.5043	64.00	76.80
P-Shape Universal End Panel - Beauforté	42.6043	123.00	147.61
BATH SCREENS			
C Shape Screen 6mm easy clean	69.0140	229.00	274.80
C Shape Screen 6mm easy clean with towel rail	69.0143	413.00	495.60

 SHOWER

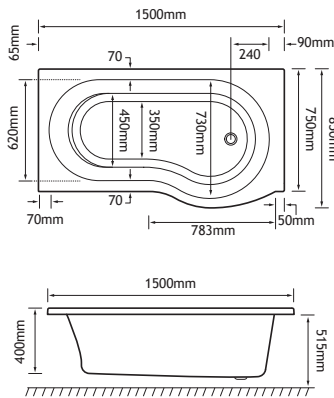
 HEAD REST

 400 DEPTH

 ULTRA STRONG

P-SHAPE Shannon





1500 x 850 RH NEW BEAUFORTÉ PANELS



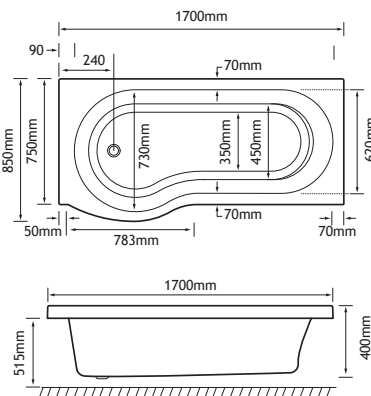
1500 x 850/750 x 400mm

179 Litres

DESCRIPTION	CODE	£ EX VAT	£ INC VAT
1500 x 850 P-Shape RH - 4mm	42.0108	393.00	471.60
1500 x 850 P-Shape RH - Beauforté	42.1108	692.00	830.40
PANELS			
1500 x 515 P-Shape Front Panel	42.5042	114.00	136.80
1500 x 515 P-Shape Front Panel - Beauforté	42.6042	343.00	411.64
P-Shape Universal End Panel	42.5043	64.00	76.80
P-Shape Universal End Panel - Beauforté	42.6043	123.00	147.61
BATH SCREENS			
C Shape Screen 6mm easy clean	69.0140	229.00	274.80
C Shape Screen 6mm easy clean with towel rail	69.0143	413.00	495.60

-  SHOWER
-  HEAD REST
-  400 DEPTH
-  ULTRA STRONG

1700 x 850 LH NEW BEAUFORTÉ PANELS



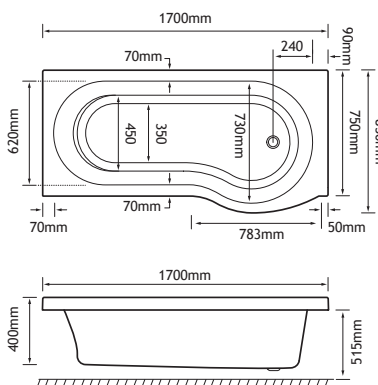
1700 x 850/750 x 400mm

220 Litres

DESCRIPTION	CODE	£ EX VAT	£ INC VAT
1700 x 850 P-Shape LH - 4mm	42.0105	393.00	471.60
1700 x 850 P-Shape LH - Beauforté	42.1105	692.00	830.40
PANELS			
1700 x 515 P-Shape Front Panel	42.5041	114.00	136.80
1700 x 515 P-Shape Front Panel - Beauforté	42.6041	343.00	411.64
P-Shape Universal End Panel	42.5043	64.00	76.80
P-Shape Universal End Panel - Beauforté	42.6043	123.00	147.61
BATH SCREENS			
C Shape Screen 6mm easy clean	69.0140	229.00	274.80
C Shape Screen 6mm easy clean with towel rail	69.0143	413.00	495.60

-  SHOWER
-  HEAD REST
-  400 DEPTH
-  ULTRA STRONG

1700 x 850 RH NEW BEAUFORTÉ PANELS



1700 x 850/750 x 400mm

220 Litres

DESCRIPTION	CODE	£ EX VAT	£ INC VAT
1700 x 850 P-Shape RH - 4mm	42.0106	393.00	471.60
1700 x 850 P-Shape RH - Beauforté	42.1106	692.00	830.40
PANELS			
1700 x 515 P-Shape Front Panel	42.5041	114.00	136.80
1700 x 515 P-Shape Front Panel - Beauforté	42.6041	343.00	411.64
P-Shape Universal End Panel	42.5043	64.00	76.80
P-Shape Universal End Panel - Beauforté	42.6043	123.00	147.61
BATH SCREENS			
C Shape Screen 6mm easy clean	69.0140	229.00	274.80
C Shape Screen 6mm easy clean with towel rail	69.0143	413.00	495.60

-  SHOWER
-  HEAD REST
-  400 DEPTH
-  ULTRA STRONG

Universal Fittings

ALL 5mm & Beauforté baths come complete with Universal Fittings such as legs, feet & wall brackets etc. Organised ready for your bath installer to fit with ease.



Lundy OFFSET CORNER

Located off the Southwestern coast of England, the Lundy Sea region includes some of Great Britain's finest Coastlines. Stretching from the shores of Cornwall, Devon, and Somerset; to the westerly tip of Wales.

Designed for luxury bathing within a limited space, the Lundy can be installed in the corner of your bathroom so you can relax in luxurious comfort in a smaller bathroom space.

Within the bath is an integrated seating area that provides more options to use this bath to the full. This space efficient bath provides a large bathing area and is 420mm at its deepest point, ensuring a deep, comfortable soak.

Available in left & right-handed variants of 1500x1040. The Lundy is offered in both 5mm acrylic & ultra-strong Beauforté, which significantly extends the life of the bath.



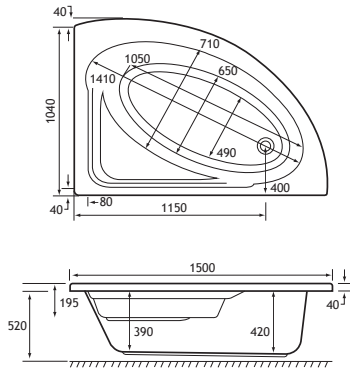
PRODUCT FEATURES

- 4 Offset Corner models
- Each available in:
5mm Acrylic & Ultra Strong Beauforté
- Supplied without pre-drilled tap holes or waste fittings.
- 420mm depth on all Offset Corner models



Lundy Offset Corner LH 42.0221

OFFSET CORNER Lundy

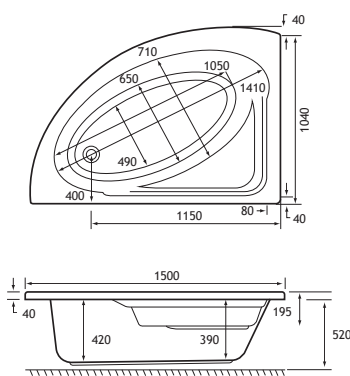


1500 x 1040 LH NEW

1500 x 1040 x 420mm

216 Litres

DESCRIPTION	CODE	£ EX VAT	£ INC VAT
1500 x 1040 Lundy Offset Corner LH - 5mm	42.0221	533.00	639.60
1500 x 1040 Lundy Offset Corner LH - Beauforté	42.1221	864.00	1036.80
PANELS			
Lundy Offset Corner Bath Panel - 5mm	42.5081	123.00	147.61
Lundy Offset Corner Bath Panel - Beauforté	42.6081	343.00	411.64



1500 x 1040 RH NEW

1500 x 1040 x 420mm

216 Litres

DESCRIPTION	CODE	£ EX VAT	£ INC VAT
1500 x 1040 Lundy Offset Corner RH - 5mm	42.0222	533.00	639.60
1500 x 1040 Lundy Offset Corner RH - Beauforté	42.1222	864.00	1036.80
PANELS			
Lundy Offset Corner Bath Panel - 5mm	42.5081	123.00	147.61
Lundy Offset Corner Bath Panel - Beauforté	42.6081	343.00	411.64

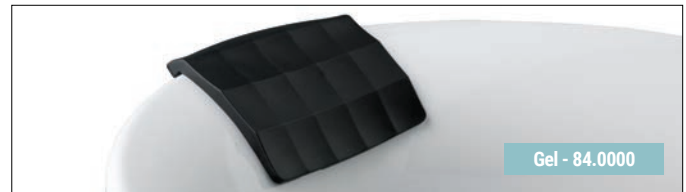


Headrests



Foam - 84.0001

DESCRIPTION	CODE	£ EX VAT	£ INC VAT
Universal Foam Headrest	84.0001	39.00	46.80



Gel - 84.0000

DESCRIPTION	CODE	£ EX VAT	£ INC VAT
Universal PU Gel Headrest	84.0000	76.00	91.20



Lundy Offset Corner RH 42.1222

Wandsworth FREESTANDING



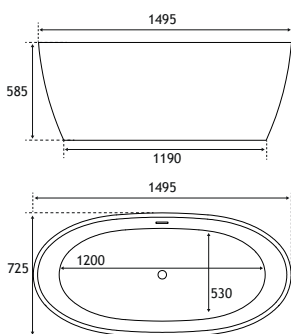
PRODUCT FEATURES

- 2 models
- 2 colours:
Gloss White & Gloss Grey
- Double skinned 4mm acrylic
- Supplied with white waste fittings & slimline slotted overflow
- 580mm depth on all Wandsworth Freestanding baths
- 5 year warranty



Gloss White
Colour No.1

Gloss Grey
Colour No.2



1495 x 725 FS

1495 x 725 x 580mm

243 Litres

DESCRIPTION	CODE	£ EX VAT	£ INC VAT
1495 x 725 Wandsworth Freestanding Bath - Gloss White	33.0003	926.00	1111.20
1495 x 725 Wandsworth Freestanding Bath - Gloss Grey & White	33.0004	944.00	1132.80

About: Model comes with bath waste & overflow.

580 DEPTH

HEAD REST

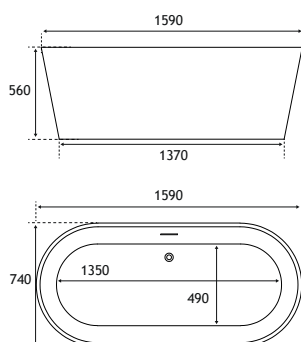
BEAUFORT

FREESTANDING Lambeth



PRODUCT FEATURES

- 2 models
- 2 colours:
Gloss White & Gloss Grey
- Double skinned 4mm acrylic
- Supplied with white waste fittings & slimline slotted overflow
- 560mm depth on all Lambeth Freestanding baths
- 5 year warranty



1590 x 740 FS

1590 x 740 x 560mm

255 Litres

DESCRIPTION	CODE	£ EX VAT	£ INC VAT
1590 x 740 Lambeth Freestanding Bath - Gloss White	33.0005	956.00	1147.20
1590 x 740 Lambeth Freestanding Bath - Gloss Grey & White	33.0006	974.00	1168.80

About: Model comes with bath waste & overflow.

560 DEPTH

HEAD REST

BEAUFORT

Charlton FREESTANDING



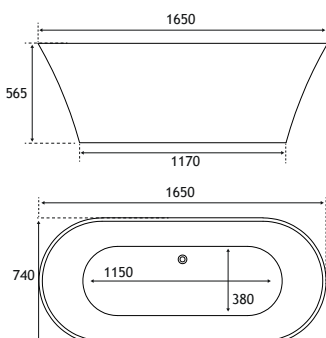
PRODUCT FEATURES

- 2 models
- 2 colours:
Gloss White & Gloss Grey
- Double skinned 4mm acrylic
- Supplied with white waste fittings & slimline slotted overflow
- 565mm depth on all Charlton Freestanding baths
- 5 year warranty



Gloss White
Colour No.1

Gloss Grey
Colour No.2



1650 x 740 FS

1650 x 740 x 565mm

205 Litres

DESCRIPTION	CODE	£ EX VAT	£ INC VAT
1650 x 740 Charlton Freestanding Bath - Gloss White	33.0007	951.00	1141.20
1650 x 740 Charlton Freestanding Bath - Gloss Grey & White	33.0008	968.00	1161.60

About: Model comes with bath waste & overflow.

565 DEPTH

HEAD REST

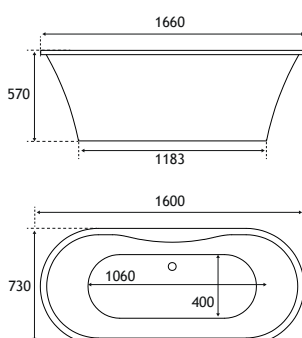
BEAUFORT

FREESTANDING Margravine



PRODUCT FEATURES

- 2 models
- 2 colours:
Gloss White & Gloss Grey
- Double skinned 4mm acrylic
- Supplied with white waste fittings & overflow. Tap holes require drilling.
- 570 mm depth on all Margravine Freestanding baths
- 5 year warranty



1660 x 730 FS

1660 x 730 x 570mm

195 Litres

DESCRIPTION	CODE	£ EX VAT	£ INC VAT
1660 x 730 Margravine Freestanding Bath - Gloss White	33.0001	934.00	1120.80
1660 x 730 Margravine Freestanding Bath - Gloss Grey & White	33.0002	953.00	1143.60

About: Model comes with bath waste & overflow.

570 DEPTH

HEAD REST

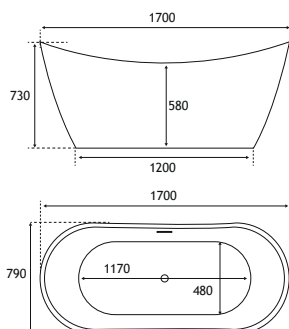
BEAUFORT

Chislehurst FREESTANDING



PRODUCT FEATURES

- 1 model
- Gloss White
- Double skinned 4mm acrylic
- Supplied with white waste fittings & slimline slotted overflow
- 580mm depth on all Chislehurst Freestanding baths
- 5 year warranty



1700 x 790 FS

1700 x 790 x 730mm

260 Litres

DESCRIPTION	CODE	£ EX VAT	£ INC VAT
1700 x 790 Chislehurst Freestanding Bath - Gloss White	33.0009	1109.00	1330.81

About: Model comes with bath waste & overflow.

580 DEPTH

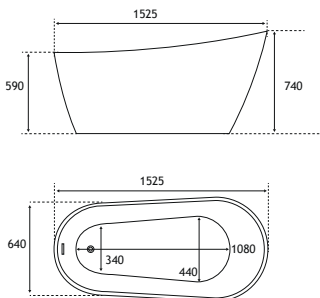
HEAD REST

BEAUFORT

FREESTANDING Wickham

PRODUCT FEATURES

- 2 models
- Gloss White
- Double skinned 4mm acrylic
- Supplied with white waste fittings & slimline slotted overflow
- 740mm depth on all Wickham Freestanding baths
- 5 year warranty



1525 x 640 FS

1525 x 640 x 590mm

202 Litres

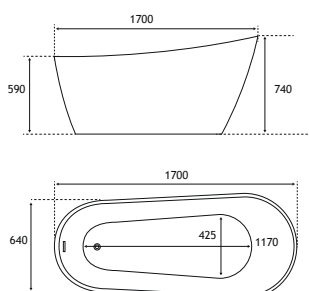
DESCRIPTION	CODE	£ EX VAT	£ INC VAT
1525 x 640 Wickham Freestanding Bath - Gloss White	33.0011	988.00	1185.61

About: Model comes with bath waste & overflow.

590 DEPTH

HEAD REST

BEAUFORT



1700 x 640 FS

1700 x 640 x 590mm

230 Litres

DESCRIPTION	CODE	£ EX VAT	£ INC VAT
1700 x 640 Wickham Freestanding Bath - Gloss White	33.0010	1018.00	1221.61

About: Model comes with bath waste & overflow.

590 DEPTH

HEAD REST

BEAUFORT

Humber FREESTANDING

The Humber is the largest coastal plain estuary on the east coast of Britain and drains a catchment area of 20% of the total land surface of England. Classified as a macro-tidal estuary because of the large tidal ranges, at its widest point the Humber Estuary is 14km across.

Named after this significant geographical area, the Humber bath offers a wonderful bathing area, giving comfort and space for all. Available as a double ended freestanding bath, the engineered white skirted option has straight sides yet a natural incline at each end to give maximum relaxation to all bathers. The Humber is available in two sizes 1800x800 and 1700x755.



PRODUCT FEATURES

- 2 models
- Available in:
4mm Acrylic Beaufort
- Supplied without
pre-drilled tap holes or
waste fittings
- 410mm depth on all Humber
Freestanding baths
- 25 years warranty
- Waste and overflow items
Sold Separately

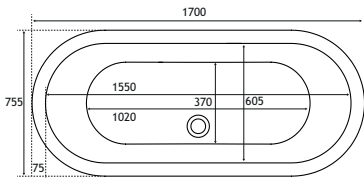
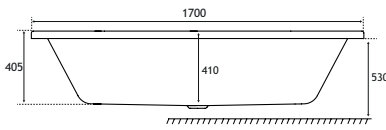


FREESTANDING Humber

1700 x 755 FS

1700 x 755 x 410mm

195 Litres



DESCRIPTION	CODE	£ EX VAT	£ INC VAT
1700 x 755 Humber - 4mm	42.0162	955.00	1146.00

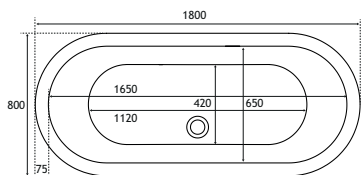
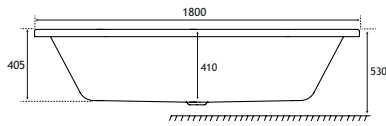
About: Model comes complete with removeable side panel. Waste & overflow not included.

- 410 DEPTH
- HEAD REST
- 4MM BEAUFORT

1800 x 800 FS

1800 x 800 x 410mm

231 Litres



DESCRIPTION	CODE	£ EX VAT	£ INC VAT
1800 x 800 Humber - 4mm	42.0161	994.00	1192.80

About: Model comes complete with removeable side panel. Waste & overflow not included.

- 410 DEPTH
- HEAD REST
- 4MM BEAUFORT



Freestanding Humber shown with floor standing manual mono BSM 93.0112

Whirlpool Baths

A Whirlpool system transforms your Beaufort bath into a truly relaxing space to escape reality and unwind from the comfort of your own home.

At Eastbrook Bathrooms we offer a **6 Jet Whirlpool Bath & Aquair System** for specific baths in the Beaufort range. The jets feed water into the bath at pressure to offer an invigorating spa like bathing experience.



About Aquair:

Aquair are a family-owned business that uses koller systems in assembling their wellness systems. Koller has specialised in water and whirlpool systems for almost 45 years. It was one of the first enterprises in the world to apply Whirlpool technology in bathtubs.

Pump Information:

The pumps used on the Eastbrook Whirlpool Bath System have a line voltage of 220-240V 60Hz, input of 0.85 HP 0.65KW, output of 0.45KW and a flow rate of 210 litres per minute. **2 Year Warranty on all systems.**

RIGOROUSLY TESTED FOR DAILY USAGE

System Benefits:

- Powerful, reliable and silent pumps
- Anchored securely on the adjustable legs
- Compact dimensions allow for space saving installation
- Robust and durable in design

Safety & Testing:

Eastbrook whirlpool baths are one of the only whirlpool systems in the UK that have an electrical safety testing certification that complies to British standards and tests. Each system is tested for Electro Magnetic Frequency and Electro Magnetic Compatibility to ensure it complies with certification standards. **Tested and certified to EN 12764:2004+A1:2008**



High Quality Components

The whirlpool bath components are produced by specialists in whirlpool design and technology. They are fitted with flexible pipe work, which is smooth and doesn't retain water but strong enough to withstand any sagging.



Quality Assured

Each whirlpool bath is factory tested and approved and for absolute peace of mind we test each one under normal working conditions for 30 minutes and then a 30 minute standing period.

All our whirlpool systems include 'child safety suction' and are tested to BS EN 12764:2004+A1:2008.

Whirlpools



Hand Finished With Care

We have a dedicated factory with passionate personnel to fit our systems. Staff are trained at the facilities to master specific processes and have their own service van fleet to give our customers pieces of mind.



Factory Installed & Tested

Each whirlpool bath is built in-house to manage volumes and achieve the best quality possible. Independent water stations have been installed to guarantee customer a one hour testing period before purchase.



Bespoke Whirlpools

Pages: 120 & 121

For those who want to create their own unique bathing experience that's perfect for your body. Your bespoke creation will be hand-built using high quality materials, by our teams of skilled technicians.

Whirlpool 6/8/14 Jet

Jets feed water into the bath as pressure, creating a range of massages. From gentle relaxation to sports hydro-massage.



WHIRLPOOL SYSTEM

P120

Airspa 12 Jet

Air bubbles are released into the water producing a gentle, calming massaging fizz.



AIRSPA SYSTEMS

P121

Combination 6/14 Jet

The best of both systems, which can be used in unison or independently to aid relaxation.

A 12 Jet Airspa available with either a 6 or 14 Jet Whirlpool.



COMBINATION SYSTEMS

P121

Stocked Whirlpools

Warranty On All Systems

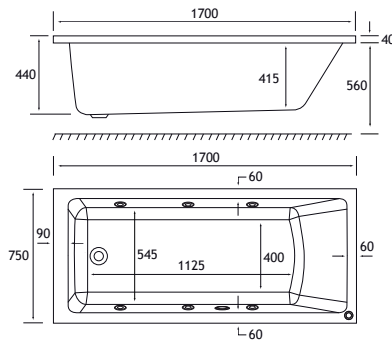


PORTLAND Single Ended, 6 Jet Whirlpool



1700 x 750 SE 6 Jet

DESCRIPTION	CODE	£ EX VAT	£ INC VAT
1700 x 750 x 440mm		248 Litres	
1700 x 750 Portland SE 6 Jet Whirlpool - Beauforté	42.2003	1556.00	1867.20
PANELS			
1700 x 560 Front Panel	42.5013	114.00	136.80
750 x 560 End Panel	42.5023	69.00	82.80
1700 x 560 Front Panel - Beauforté	42.6013	192.00	230.40
750 x 560 End Panel - Beauforté	42.6023	114.00	136.80
1810 x 810 L Shape Flat Panel - Beauforté	42.6035	367.00	440.40
1700 Adjustable Front Panel - Beauforté	42.6033	277.00	332.40

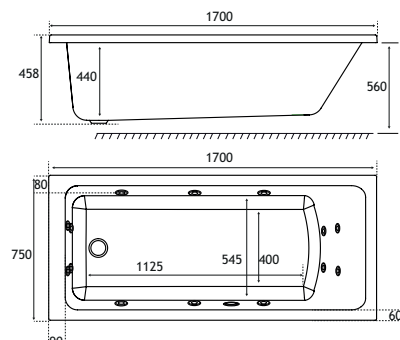


PORTLAND Single Ended, 14 Jet Whirlpool



1700 x 750 SE 14 Jet

DESCRIPTION	CODE	£ EX VAT	£ INC VAT
1700 x 750 x 440mm		248 Litres	
1700 x 750 Portland SE 14 Jet Whirlpool - Beauforté	42.2017	1966.00	2359.20
PANELS			
1700 x 560 Front Panel	42.5013	114.00	136.80
750 x 560 End Panel	42.5023	69.00	82.80
1700 x 560 Front Panel - Beauforté	42.6013	192.00	230.40
750 x 560 End Panel - Beauforté	42.6023	114.00	136.80
1810 x 810 L Shape Flat Panel - Beauforté	42.6035	367.00	440.40
1700 Adjustable Front Panel - Beauforté	42.6033	277.00	332.40





Warranty On All Systems

Stocked Whirlpools

PORTLAND Double Ended, 6 Jet Whirlpool



1700 x 750 DE 6 Jet

1700 x 750 x 440mm **231 Litres**

DESCRIPTION	CODE	£ EX VAT	£ INC VAT
1700 x 750 Portland DE 6 Jet Whirlpool - Beauforté	42.2004	1578.00	1893.60

PANELS

1700 x 560 Front Panel	42.5013	114.00	136.80
750 x 560 End Panel	42.5023	69.00	82.80
1700 x 560 Front Panel - Beauforté	42.6013	192.00	230.40
750 x 560 End Panel - Beauforté	42.6023	114.00	136.80
1810 x 810 L Shape Flat Panel - Beauforté	42.6035	367.00	440.40
1700 Adjustable Front Panel - Beauforté	42.6033	277.00	332.40



WHIRLPOOL



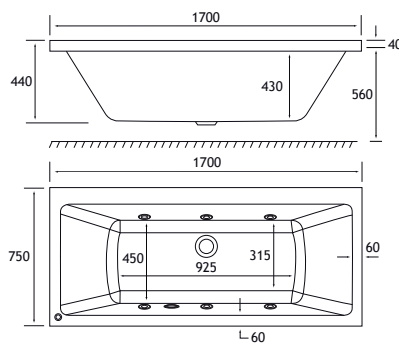
HEAD REST



440 DEPTH



ULTRA STRONG



PORTLAND Double Ended, 14 Jet Whirlpool



1700 x 750 DE 14 Jet

1700 x 750 x 440mm **231 Litres**

DESCRIPTION	CODE	£ EX VAT	£ INC VAT
1700 x 750 Portland DE 14 Jet Whirlpool - Beauforté	42.2016	1990.00	2388.00

PANELS

1700 x 560 Front Panel	42.5013	114.00	136.80
750 x 560 End Panel	42.5023	69.00	82.80
1700 x 560 Front Panel - Beauforté	42.6013	192.00	230.40
750 x 560 End Panel - Beauforté	42.6023	114.00	136.80
1810 x 810 L Shape Flat Panel - Beauforté	42.6035	367.00	440.40
1700 Adjustable Front Panel - Beauforté	42.6033	277.00	332.40



WHIRLPOOL



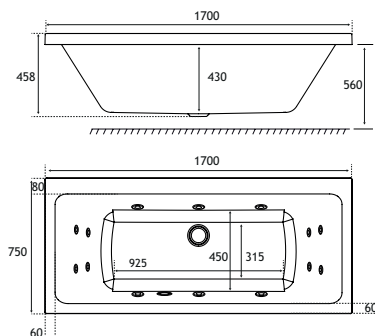
HEAD REST



440 DEPTH



ULTRA STRONG



Stocked Whirlpools

Warranty On All Systems



BISCAY Double Ended, 6 Jet Whirlpool

1700 x 800 DE 6 Jet

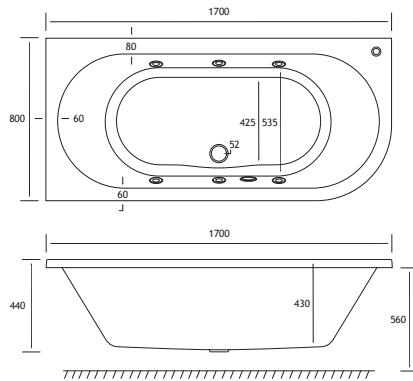


DESCRIPTION	CODE	£ EX VAT	£ INC VAT
1700 x 800 DE LH Biscay 6 Jet Whirlpool - Beauforté	42.2001	1573.00	1887.60
1700 x 800 DE RH Biscay 6 Jet Whirlpool - Beauforté	42.2002	1573.00	1887.60
PANELS			
Biscay Panel 1700 x 800	42.5001	226.00	271.20

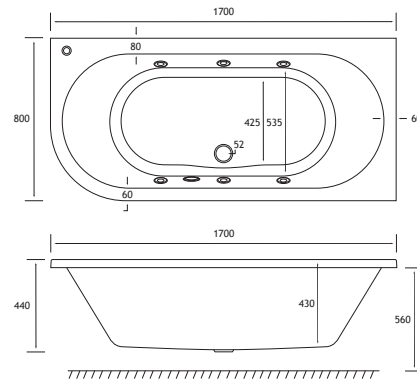
219 Litres



Left Hand Biscay



Right Hand Biscay



BISCAY Double Ended, 14 Jet Whirlpool

1700 x 800 DE 14 Jet

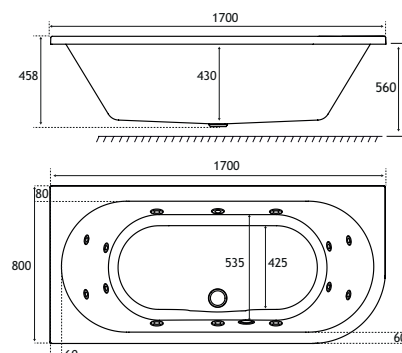


DESCRIPTION	CODE	£ EX VAT	£ INC VAT
1700 x 800 DE LH Biscay 14 jet Whirlpool - Beauforté	42.2014	1965.00	2358.00
1700 x 800 DE RH Biscay 14 jet Whirlpool - Beauforté	42.2015	1965.00	2358.00
PANELS			
Biscay Panel 1700 x 800	42.5001	226.00	271.20

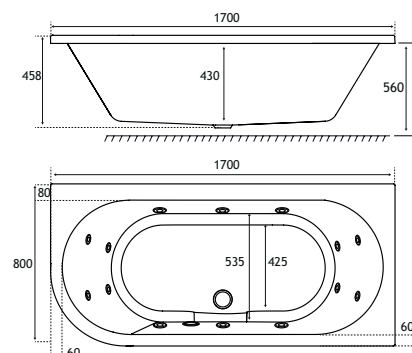
219 Litres



Left Hand Biscay



Right Hand Biscay





Warranty On All Systems

Stocked Whirlpools

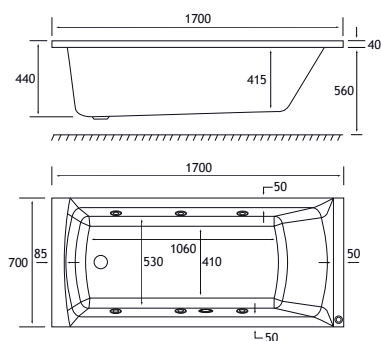
ROCKALL Single Ended, 6 Jet Whirlpool



1700 x 700 SE 6 Jet

1700 x 700 x 440mm **238 Litres**

DESCRIPTION	CODE	£ EX VAT	£ INC VAT
1700 x 700 Rockall SE 6 Jet Whirlpool - Beauforté	42.2005	1458.00	1749.60
PANELS			
1700 x 560 Front Panel	42.5013	114.00	136.80
700 x 560 End Panel	42.5024	69.00	82.80
1700 x 560 Front Panel - Beauforté	42.6013	192.00	230.40
700 x 560 End Panel - Beauforté	42.6024	114.00	136.80
1810 x 810 L Shape Flat Panel - Beauforté	42.6035	367.00	440.40
1700 Adjustable Front Panel - Beauforté	42.6033	277.00	332.40



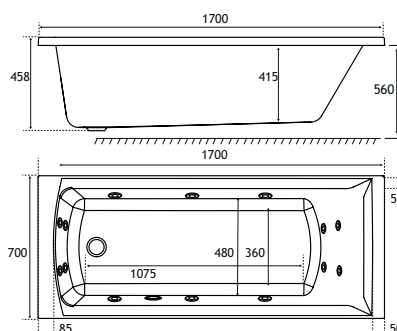
ROCKALL Single Ended, 14 Jet Whirlpool



1700 x 700 SE 14 Jet

1700 x 700 x 440mm **238 Litres**

DESCRIPTION	CODE	£ EX VAT	£ INC VAT
1700 x 700 Rockall 14 Jet Whirlpool - Beauforté	42.2013	1864.00	2236.80
PANELS			
1700 x 560 Front Panel - 5mm	42.5013	114.00	136.80
700 x 560 End Panel - 5mm	42.5024	69.00	82.80
1700 x 560 Front Panel - Beauforté	42.6013	192.00	230.40
700 x 560 End Panel - Beauforté	42.6024	114.00	136.80
1810 x 810 L Shape Flat Panel - Beauforté	42.6035	367.00	440.40
1700 Adjustable Front Panel - Beauforté	42.6033	277.00	332.40



Stocked Whirlpools

Warranty On
All Systems



ROCKALL Single Ended, 6 Jet Whirlpool



1700 x 750 SE 6 Jet

1700 x 750 x 440mm

258 Litres

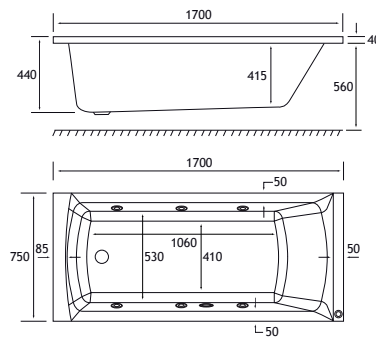
DESCRIPTION	CODE	£ EX VAT	£ INC VAT
1700 x 750 Rockall SE 6 Jet Whirlpool - Beauforté	42.2006	1553.00	1863.60
PANELS			
1700 x 560 Front Panel	42.5013	114.00	136.80
750 x 560 End Panel	42.5023	69.00	82.80
1700 x 560 Front Panel - Beauforté	42.6013	192.00	230.40
750 x 560 End Panel - Beauforté	42.6023	114.00	136.80
1810 x 810 L Shape Flat Panel - Beauforté	42.6035	367.00	440.40
1700 Adjustable Front Panel - Beauforté	42.6033	277.00	332.40

WHIRLPOOL

HEAD REST

440 DEPTH

ULTRA STRONG



ROCKALL Single Ended, 14 Jet Whirlpool



1700 x 750 SE 14 Jet

1700 x 750 x 440mm

268 Litres

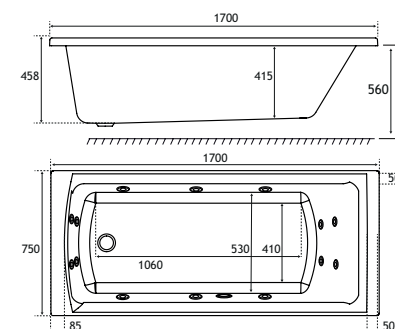
DESCRIPTION	CODE	£ EX VAT	£ INC VAT
1700 x 750 Rockall 14 Jet Whirlpool - Beauforté	42.2012	1966.00	2359.20
PANELS			
1700 x 560 Front Panel - 5mm	42.5013	114.00	136.80
750 x 560 End Panel - 5mm	42.5023	69.00	82.80
1700 x 560 Front Panel - Beauforté	42.6013	192.00	230.40
750 x 560 End Panel - Beauforté	42.6023	114.00	136.80
1810 x 810 L Shape Flat Panel - Beauforté	42.6035	367.00	440.40
1700 Adjustable Front Panel - Beauforté	42.6033	277.00	332.40

WHIRLPOOL

HEAD REST

440 DEPTH

ULTRA STRONG





Warranty On All Systems

Stocked Whirlpools

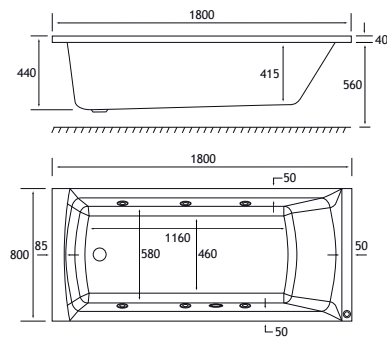
ROCKALL Single Ended, 6 Jet Whirlpool



1800 x 800 SE 6 Jet

1800 x 800 x 440mm 284 Litres

DESCRIPTION	CODE	£ EX VAT	£ INC VAT
1800 x 800 Portland SE 6 Jet Whirlpool - Beauforté	42.2007	1653.00	1983.60
PANELS			
1800 x 560 Front Panel	42.5012	127.00	152.40
800 x 560 End Panel	42.5022	69.00	82.80
1800 x 560 Front Panel - Beauforté	42.6012	203.00	243.60
800 x 560 End Panel - Beauforté	42.6022	124.00	148.80
1810 x 810 L Shape Flat Panel - Beauforté	42.6035	367.00	440.40
1800 Adjustable Front Panel - Beauforté	42.6032	288.00	345.60



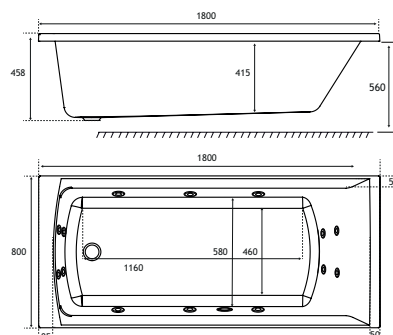
ROCKALL Single Ended, 14 Jet Whirlpool



1800 x 800 SE 14 Jet

1800 x 800 x 440mm 284 Litres

DESCRIPTION	CODE	£ EX VAT	£ INC VAT
1800 x 800 SE Rockall 14 jet Whirlpool - Beauforté	42.2011	2068.00	2481.60
PANELS			
1800 x 560 Front Panel-5mm	42.5012	127.00	152.40
800x560 End Panel-5mm	42.5022	69.00	82.80
1800 x 560 Front Panel-Beauforte	42.6012	203.00	243.60
800 x 560 End Panel-Beauforte	42.6022	124.00	148.80
1810 x 810 L Shape Flat Panel - Beauforté	42.6035	367.00	440.40
1800 Adjustable Front Panel - Beauforté	42.6032	288.00	345.60



Bespoke Whirlpools

Warranty On All Systems



Bespoke Whirlpool Bath Guide

Approximately 6 Weeks Lead Time (from confirmation of order)

- ① Select your Beaufort bath
- ② Select one of the bespoke Whirlpool, Airspa or Combination systems.
- ③ Consider adding one or more of the additional options to complete your relaxation experience.
- ④ Add the cost of your bath, system, and additional options together to get total cost.

Whirlpool Systems

Jets feed water into the bath as pressure, creating a range of massages. From gentle relaxation to sports hydro-massage.



Level One 6 Jet

DESCRIPTION	CODE	£ EX VAT	£ INC VAT
6 Jet Whirlpool System*	42.4001	1022.00	1226.40

Summary:

- 6 jet system

Jet type & location:

- 3 midi jets down each side

Switch type:

- Pneumatic switch

Fittings:

- Engineered legset

*Not compatible with Freestanding Baths.



Level Two 8 Jet

DESCRIPTION	CODE	£ EX VAT	£ INC VAT
8 Jet Whirlpool System*	42.4002	1081.00	1297.20

Summary:

- 8 jet system

Jet type & location:

- 4 midi jets down each side

Switch type:

- Pneumatic switch

Fittings:

- Engineered legset

*Not compatible with Freestanding Baths.



Level Three 14 Jet

DESCRIPTION	CODE	£ EX VAT	£ INC VAT
14 Jet Whirlpool System*	42.4003	1344.00	1612.80

Summary:

- 14 jet system

Jet type & location:

- 3 midi jets down each side

- 4 micro jets at each end

Switch type:

- Pneumatic switch

Fittings:

- Engineered legset

*Not compatible with Malin SE or DE or Freestanding Baths.

Additional Options

DESCRIPTION	CODE	£ EX VAT	£ INC VAT
Single Colour change LED Light	42.4008	328.00	393.60
Ozonator	42.4009	203.00	243.60
In Line Water Heater	42.4011	653.00	783.60
Bluetooth sound system	42.4012	1448.00	1737.60
Electronic Upgrade	42.4013	372.00	446.40

Single LED Light

One LED light that can change between seven colour settings.

Colours: White, Cyan Blue, Green, Yellow, Red, Magenta & Dark Blue.

In Line Water Heater

Heat the water during the whirlpool cycle to improve relaxation and bathing time by compensating for natural heat loss.

Ozonator (not suitable for Airspa)

Removes harmful bacteria during the whirlpool cycle for added hygiene.

Bluetooth Connection

Play music through your bath by connecting it via Bluetooth music streaming devices.

Electronic Upgrade

Removes pneumatic switch and replaces it with an electronic control pad (includes low water sensor).



**Warranty On
All Systems**

Bespoke Whirlpools

Airspa Systems

Air bubbles are released into the water producing a gentle, calming massaging fizz.



Level One 12 Jet

DESCRIPTION	CODE	£ EX VAT	£ INC VAT
12 Jet Airspa System	42.4004	1227.00	1472.40

Summary:

- 12 jet airspa system

Switch type:

- Pneumatic switch

Fittings:

- Engineered legset

***Not compatible with Freestanding Baths.**



Level Two 12 Jet

DESCRIPTION	CODE	£ EX VAT	£ INC VAT
12 Jet Airspa System (Heated)	42.4005	1285.00	1542.00

Summary:

- 12 jet airspa system **heated**

Switch type:

- Pneumatic switch

Fittings:

- Engineered legset

***Not compatible with Freestanding Baths.**

Combination Systems

Combination systems add the best of both systems without compromise. The systems can be used in unison or independently to aid wrapped relaxation and help invigorate the body.



Level One 6 Jet & 12 Jet Airspa

DESCRIPTION	CODE	£ EX VAT	£ INC VAT
6 Jet Whirlpool & 12 Jet Airspa Combination System*	42.4006	2132.00	2558.40

Summary:

- 6 jet whirlpool system
& 12 jet airspa

Jet type & location:

- 3 midi jets down each side

Airspa:

- 12 jet airspa system **heated**

Switch type:

- Pneumatic switch

Fittings:

- Engineered legset

***Not compatible with Freestanding Baths.**



Level Two 14 Jet & 12 Jet Airspa

DESCRIPTION	CODE	£ EX VAT	£ INC VAT
14 Jet Whirlpool & 12 Jet Airspa Combination System*	42.4007	2688.00	3225.60

Summary:

- 6 jet whirlpool system
& 12 jet airspa

Jet type & location:

- 3 midi jets down each side

Airspa:

- 12 jet airspa system **heated**

Switch type:

- Pneumatic switch

Fittings:

- Engineered legset

***Not compatible with Malin SE or DE or Freestanding Baths.**

Accessories

Portland Grips (Single)

DESCRIPTION	CODE	£ EX VAT	£ INC VAT
Chrome Grip (Single)	42.1001	20.00	24.00
Matt White Grip (Single)	42.1002	27.00	32.40
Matt Grey Grip (Single)	42.1003	27.00	32.40

DESCRIPTION	CODE	£ EX VAT	£ INC VAT
Matt Black Grip (Single)	42.1004	27.00	32.40
Matt Cappuccino Grip (Single)	42.1005	27.00	32.40
Matt Anthracite Grip (Single)	42.1006	27.00	32.40

Portland Twin Grips (Pair)

DESCRIPTION	CODE	£ EX VAT	£ INC VAT
Chrome Grip (pair)	42.0001	39.00	46.80
Matt White Grips (pair)	42.0002	51.00	61.20
Matt Grey Grips (pair)	42.0003	51.00	61.20

DESCRIPTION	CODE	£ EX VAT	£ INC VAT
Matt Black Grips (pair)	42.0004	51.00	61.20
Matt Cappuccino Grips (pair)	42.0005	51.00	61.20
Matt Anthracite Grips (pair)	42.0006	51.00	61.20



Rockall Twin Grips (Pair)

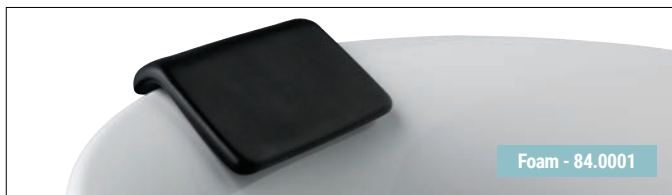
DESCRIPTION	CODE	£ EX VAT	£ INC VAT
Rockall SE Chrome Grips (pair)	42.1201	33.00	39.60
Rockall SE Matt White Grips (pair)	42.1202	46.00	55.20
Rockall SE Matt Grey Grips (pair)	42.1203	46.00	55.20

DESCRIPTION	CODE	£ EX VAT	£ INC VAT
Rockall SE Matt Black Grips (pair)	42.1204	46.00	55.20
Rockall SE Matt Cappuccino Grips (pair)	42.1205	46.00	55.20
Rockall SE Matt Anthracite Grips (pair)	42.1206	46.00	55.20



Accessories

Headrests



Foam - 84.0001

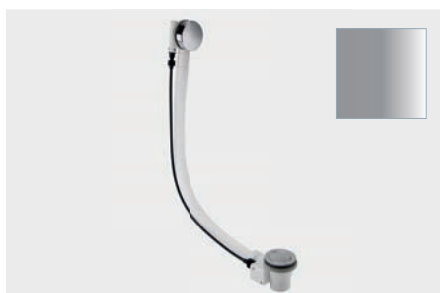
DESCRIPTION	CODE	£ EX VAT	£ INC VAT
Universal Foam Headrest	84.0001	39.00	46.80



Gel - 84.0000

DESCRIPTION	CODE	£ EX VAT	£ INC VAT
Universal PU Gel Headrest	84.0000	76.00	91.20

Beaufort Wastes



Chrome Bath Pop up Waste & Overflow

CODE	£ EX VAT	£ INC VAT
98.1001	32.00	38.40



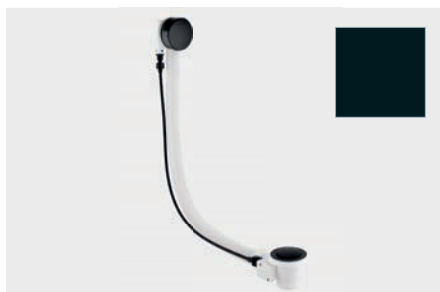
Matt White Bath Pop up Waste & Overflow

CODE	£ EX VAT	£ INC VAT
98.1002	46.00	55.20



Matt Grey Bath Pop up Waste & Overflow

CODE	£ EX VAT	£ INC VAT
98.1003	46.00	55.20



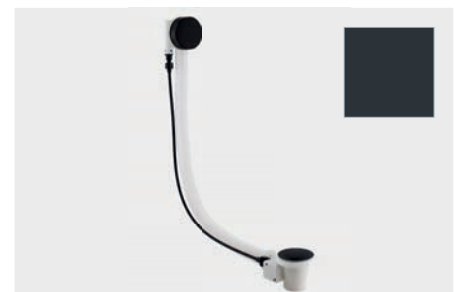
Matt Black Bath Pop up Waste & Overflow

CODE	£ EX VAT	£ INC VAT
98.1004	46.00	55.20



Matt Cappuccino Bath Pop up Waste & Overflow

CODE	£ EX VAT	£ INC VAT
98.1005	46.00	55.20



Matt Anthracite Bath Pop up Waste & Overflow

CODE	£ EX VAT	£ INC VAT
98.1006	46.00	55.20

Screens Suitable For Thin Edged Baths

Bath Model	Corniche 8mm Screen	Volente 6mm Hinge Bath Screen	Volente 8mm Hinge Bath Screen
Malin SE	69.0142	58.702	58.703
Portland SE TG	69.0142	58.702	58.703
Portland Low Level ECO	69.0142	58.702	58.703

Please refer to Panel & Screens section for all shower screens. **Page 137 to 145**

Bath Panels

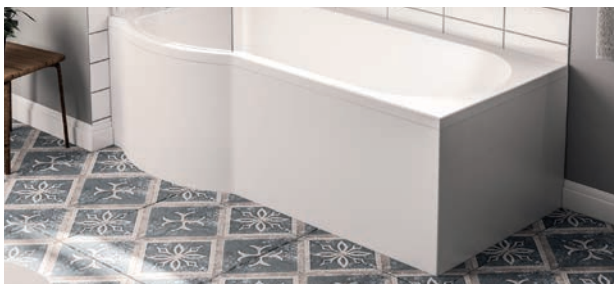
Portland L Shape Panels



Portland L Shape Panels

DESCRIPTION	CODE	£ EX VAT	£ INC VAT
1700 x 560 L-Shape Front Panel Beaufort	42.5061	124.00	148.80
1600 x 560 L-Shape Front Panel Beaufort	42.5067	121.00	145.21
1500 x 560 L-Shape Front Panel Beaufort	42.5062	124.00	148.80
750 x 560 L-Shape Universal End Panel Beaufort	42.5063	70.00	84.00
1700 x 560 L-Shape Front Panel Beauforté	42.6061	350.00	420.00
1600 x 560 L-Shape Front Panel Beauforté	42.6067	350.00	420.00
1500 x 560 L-Shape Front Panel Beauforté	42.6062	350.00	420.00
750 x 510 L-Shape Universal End Panel Beauforté	42.6063	123.00	147.61

Portland P Shape Panels



Portland P Shape Panels

DESCRIPTION	CODE	£ EX VAT	£ INC VAT
1700 x 560 P-Shape Front Panel Beaufort	42.5064	124.00	148.80
1600 x 560 P-Shape Front Panel Beaufort	42.5068	121.00	145.21
1500 x 560 P-Shape Front Panel Beaufort	42.5065	124.00	148.80
750 x 560 P-Shape Universal End Panel Beaufort	42.5066	70.00	84.00
1700 x 560 P-Shape Front Panel Beauforté	42.6064	343.00	411.64
1600 x 560 P-Shape Front Panel Beauforté	42.6068	343.00	411.60
1500 x 560 P-Shape Front Panel Beauforté	42.6065	343.00	411.64
750 x 510 P-Shape Universal End Panel Beauforté	42.6066	123.00	147.61

Shannon L Shape Panels



Shannon L Shape Panels

DESCRIPTION	CODE	£ EX VAT	£ INC VAT
Shannon L - Shape Front Panel 1700 Beaufort	42.5031	114.00	136.80
Shannon L - Shape Front Panel 1500 Beaufort	42.5032	114.00	136.80
Shannon L - Shape Universal End Panel	42.5033	64.00	76.80
Shannon L - Shape Front Panel 1700 Beauforté	42.6044	350.00	420.00
Shannon L - Shape Front Panel 1500 Beauforté	42.6045	350.00	420.00
Shannon L - Shape Universal End Panel Beauforté	42.6046	123.00	147.61

Shannon P Shape Panels



Shannon P Shape Panels

DESCRIPTION	CODE	£ EX VAT	£ INC VAT
Shannon P - Shape Front Panel 1700 Beaufort	42.5041	114.00	136.80
Shannon P - Shape Front Panel 1500 Beaufort	42.5042	114.00	136.80
Shannon P - Shape Universal End Panel Beaufort	42.5043	64.00	76.80
Shannon P - Shape Front Panel 1700 Beauforté	42.6041	343.00	411.64
Shannon P - Shape Front Panel 1500 Beauforté	42.6042	343.00	411.64
Shannon P - Shape Universal End Panel Beauforté	42.6043	123.00	147.61

Biscay Panels



Biscay Panels

DESCRIPTION	CODE	£ EX VAT	£ INC VAT
Biscay Panel 1700 x 800 Beaufort	42.5001	226.00	271.20
Biscay Panel 1700 x 750 Beaufort	42.5002	226.00	271.20
Biscay Panel 1600 x 725 Beaufort	42.5003	226.00	271.20
Biscay Panel 1700 x 800 Beauforté	42.6001	385.00	462.00
Biscay Panel 1700 x 750 Beauforté	42.6002	385.00	462.00
Biscay Panel 1600 x 725 Beauforté	42.6003	385.00	462.00

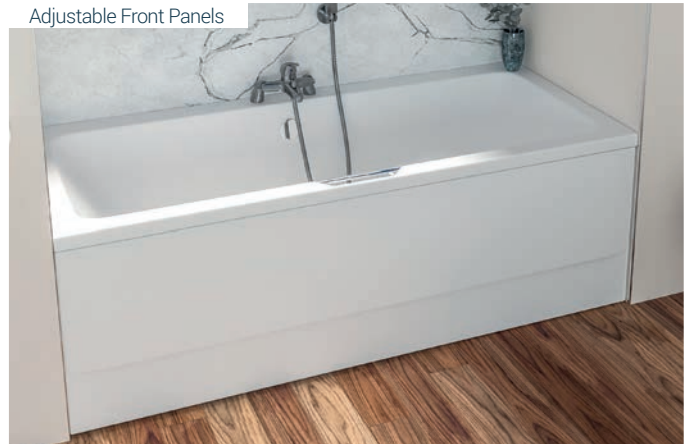
Acrylic Bath Panels

Adjustable Panels

Adjustable L Shape Panel



Adjustable Front Panels



DESCRIPTION	CODE	£ EX VAT	£ INC VAT
1810 x 810 Adjustable L Shape - Beauforté	42.6031	450.00	540.00
1810 x 810 L Shape Flat Panel - Beauforté	42.6035	367.00	440.40

DESCRIPTION	CODE	£ EX VAT	£ INC VAT
1800 Adjustable Front Panel - Beauforté	42.6032	288.00	345.60
1700 Adjustable Front Panel - Beauforté	42.6033	277.00	332.40
1500 Adjustable Front Panel - Beauforté	42.6034	277.00	332.40

About: Compatible with all rectangular Beaufort baths (1800 x 800 or less) the L-shaped Adjustable Panel is an innovative 'fits all' solution. Strengthened with fibreglass matting with a marine-grade gel coating, this panel can be cut to size to ensure a seamless finish. Adjustable from 450mm-540mm. Plinth 150mm.

Adjustable from 510mm-620mm. Plinth 150mm.

Flat Panels



Beaufort Flat Panels

DESCRIPTION	CODE	£ EX VAT	£ INC VAT
Beaufort 1900 (560H) Front Panel	42.5011	163.00	195.60
Beaufort 1800 (560H) Front Panel	42.5012	127.00	152.40
Beaufort 1700 (560H) Front Panel	42.5013	114.00	136.80
Beaufort 1675 (560H) Front Panel	42.5014	114.00	136.80
Beaufort 1650 (560H) Front Panel	42.5015	114.00	136.80
Beaufort 1600 (560H) Front Panel	42.5016	114.00	136.80
Beaufort 1500 (560H) Front Panel	42.5017	114.00	136.80
Beaufort 900 x 560 End Panel	42.5021	69.00	82.80
Beaufort 800 x 560 End Panel	42.5022	69.00	82.80
Beaufort 750 x 560 End Panel	42.5023	69.00	82.80
Beaufort 700 x 560 End Panel	42.5024	69.00	82.80
Beaufort 1700 x 430 Front Panel Low Level	42.5051	117.00	140.40
Beaufort 700 x 430 End Panel Low Level	42.5052	71.00	85.20

Beauforté Flat Panels

DESCRIPTION	CODE	£ EX VAT	£ INC VAT
Beauforté 1900 (560H) Front Panel	42.6011	239.00	286.80
Beauforté 1800 (560H) Front Panel	42.6012	203.00	243.60
Beauforté 1700 (560H) Front Panel	42.6013	192.00	230.40
Beauforté 1675 (560H) Front Panel	42.6014	192.00	230.40
Beauforté 1650 (560H) Front Panel	42.6015	192.00	230.40
Beauforté 1600 (560H) Front Panel	42.6016	192.00	230.40
Beauforté 1500 (560H) Front Panel	42.6017	192.00	230.40
Beauforté 900 x 560 End Panel	42.6021	137.00	164.40
Beauforté 800 x 560 End Panel	42.6022	124.00	148.80
Beauforté 750 x 560 End Panel	42.6023	114.00	136.80
Beauforté 700 x 560 End Panel	42.6024	114.00	136.80
Beauforté 1700 x 430 Front Panel Low Level	42.6051	198.00	237.60
Beauforté 700 x 430 End Panel Low Level	42.6052	117.00	140.40



CONTRACT

Baths

High Quality | UK Made | Easy Fit

Eastbrook's range of quality baths for the bathroom with a budget.

The increasing demand for cost effective bathing solutions lead our team to introduce this new product line.

Contents

Henbury Range

128 - 129



Henbury Range

HENBURY CONTRACT BATHS

The Henbury range is Eastbrook's solution to the increasing demand for quality baths on a budget.

With a curved back rest for comfort and the option of grips for added security, the Henbury is designed to provide you with a comfortable and enjoyable bathing experience.

The Henbury Range is available in three sizes. 1500x700, 1600x700 and 1700x700 with an added option of chrome grips.

High Quality | UK Made | Easy Fit



PRODUCT FEATURES

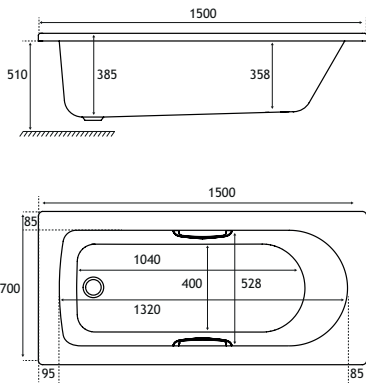
- 6 models
- Each available in:
3mm Standard or 3mm
Twin Grip
- Supplied without
pre-drilled tap holes or
waste fittings
- 385mm depth on all
Henbury models
- Square edge style bath with
great top surface area



Henbury Baths

HENBURY CONTRACT BATHS

1500 x 700



1500 x 700 x 385mm

179 Litres

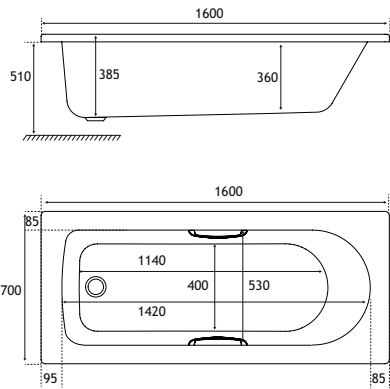
Description	Code	£ Ex VAT	£ Inc VAT
1500 x 700 Henbury Bath - 3mm	42.0173	214.00	256.80
1500 x 700 Henbury Bath Twin Grip - 3mm (Chrome grips included)	42.0176	245.00	294.00

Panels			
1700 x 510 Front Panel*	42.5071	37.00	44.40
700 x 510 End Panel*	42.5072	24.00	28.80

*Panel will require trimming to required length.

- 385 DEPTH
- HEAD REST
- SHOWER
- GRIPS

1600 x 700



1600 x 700 x 385mm

197 Litres

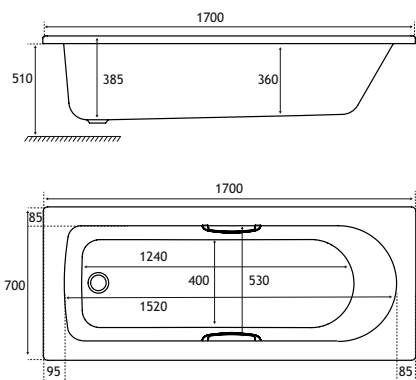
Description	Code	£ Ex VAT	£ Inc VAT
1600 x 700 Henbury Bath - 3mm	42.0172	214.00	256.80
1600 x 700 Henbury Bath Twin Grip - 3mm (Chrome grips included)	42.0175	245.00	294.00

Panels			
1700 x 510 Front Panel*	42.5071	37.00	44.40
700 x 510 End Panel*	42.5072	24.00	28.80

*Panel will require trimming to required length.

- 385 DEPTH
- HEAD REST
- SHOWER
- GRIPS

1700 x 700



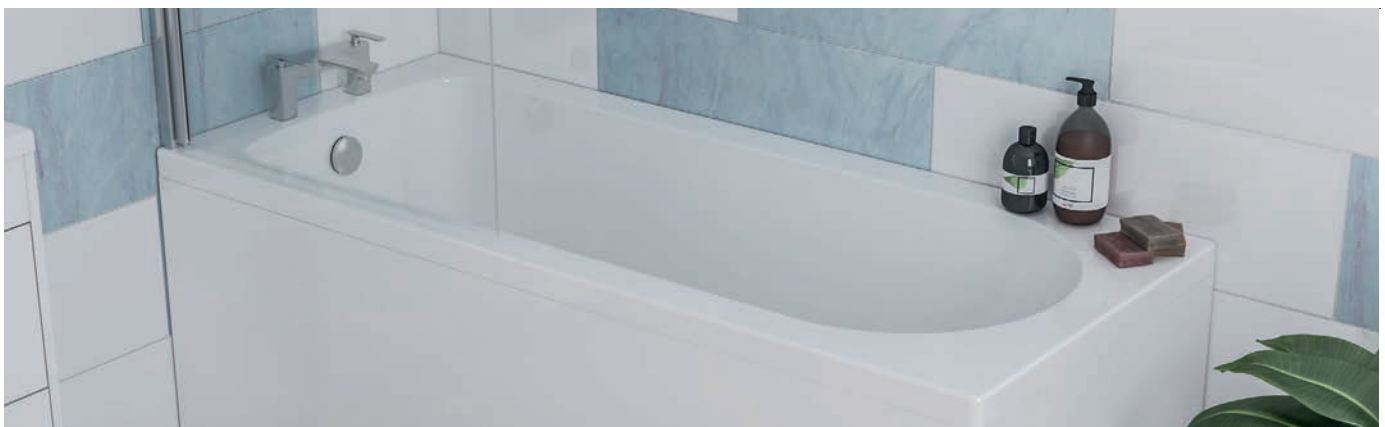
1700 x 700 x 385mm

231 Litres

Description	Code	£ Ex VAT	£ Inc VAT
1700 x 700 Henbury Bath - 3mm	42.0171	214.00	256.80
1700 x 700 Henbury Bath Twin Grip - 3mm (Chrome grips included)	42.0174	245.00	294.00

Panels			
1700 x 510 Front Panel	42.5071	37.00	44.40
700 x 510 End Panel	42.5072	24.00	28.80

- 385 DEPTH
- HEAD REST
- SHOWER
- GRIPS





Panels & Screens

A large range of bath panels in a variety of contemporary styles and finishes. Many overbath shower screens in 5-8mm tempered glass, hinged, folded and fixed in clear or frosted glass.

Contents

Bath panels	132 - 135
Toilet seats	136
Bath shower screens	137 - 145



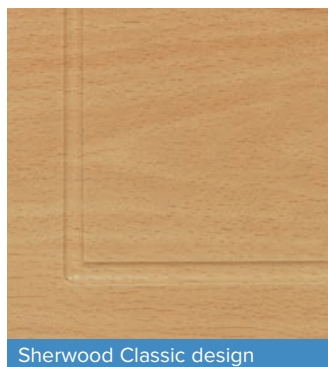
Sherwood Bath Panels

SHERWOOD™ BATH PANELS

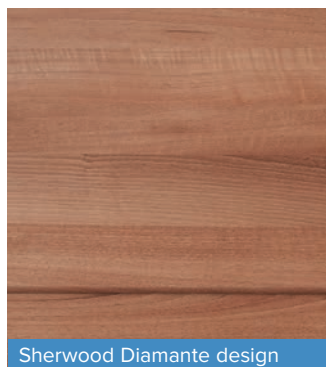
A comprehensive quality range of wood effect bath panels, seats and vanity units. The latest vinyl wrapped technology is used to produce an extremely tough panel with colour matching guaranteed throughout the co-ordinated products.



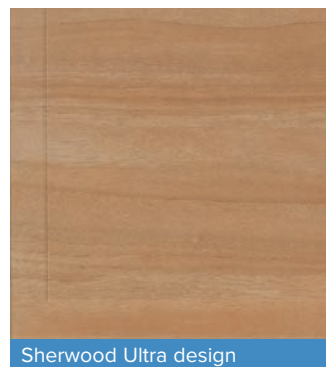
Sherwood Original design



Sherwood Classic design



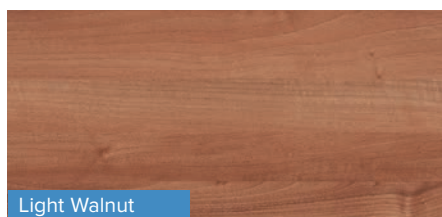
Sherwood Diamante design



Sherwood Ultra design



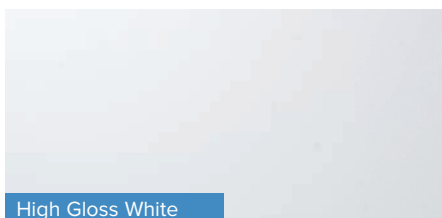
Natural Oak



Light Walnut



Beech



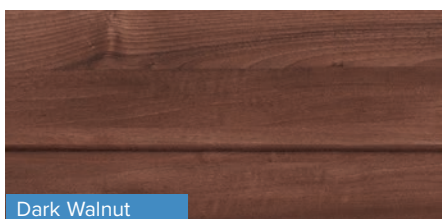
High Gloss White



White Ash



High Gloss Black



Dark Walnut

Sherwood is produced in four designs:

Sherwood Original with a traditional twist

Sherwood Classic for a more contemporary statement

Sherwood Diamante - a simple and modern design

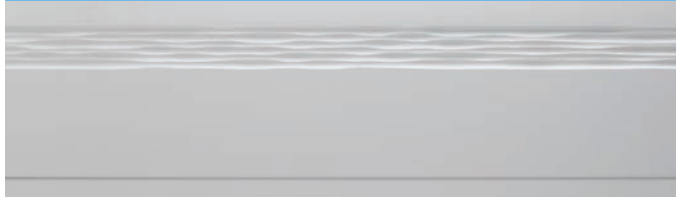
Sherwood Ultra - a real gem in design combining both the Original and Classic values

Universal 18mm seats are available to complement, complete with a high quality bar hinge or the soft close hinges.

All items are vinyl-wrapped MDF. Refer to style pages for finish availability.

Colours are subject to the limitations of the printing process. Colour samples available on request.

WAVE PANELS



Panel detail

BATH PANELS

Description	Colour	Code	£ Ex VAT	£ Inc VAT
Wave 1700 front panel	High Gloss White	29.0018	156.00	187.20
Wave 1800 front panel	High Gloss White	29.0028	167.00	200.40
Wave 700 end panel	High Gloss White	29.0038	90.00	108.00
Wave 750 end panel	High Gloss White	29.0048	92.00	110.40
Wave 800 end panel	High Gloss White	29.0058	95.00	114.00

All 2-piece adjustable from 450 to 575 mm. Thickness 15mm. Plinth 140mm.

Sherwood Bath Panels



SHERWOOD ORIGINAL BATH PANELS

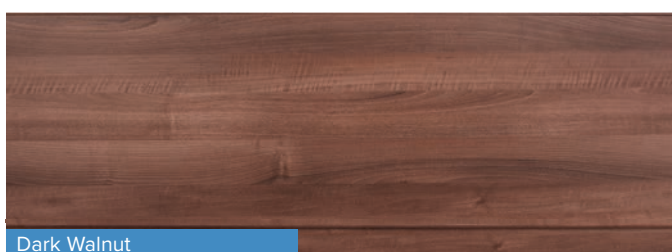
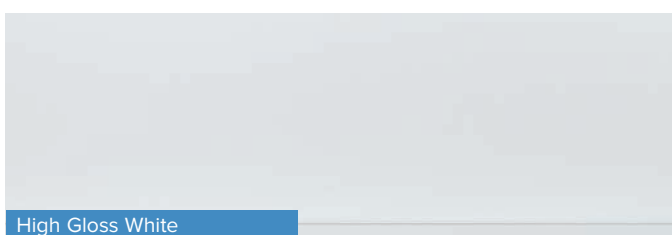
Description	Natural oak	White ash	£ Ex VAT	£ Inc VAT
Sherwood original 1500 front bath panel	-	34.0035	121.00	145.20
Sherwood original 1600 front bath panel	-	34.0095	121.00	145.20
Sherwood original 1700 front bath panel	34.0043	34.0045	121.00	145.20
Sherwood original 1800 front bath panel	34.0053	34.0055	131.00	157.20
Sherwood original 800 end bath panel	34.0083	34.0085	88.00	105.60

NB. All panels include extra deep plinth, allowing panel to be adjustable from 450mm to 575mm. The 800 mm universal end panel can be cut down to 700mm or 750mm size without loss of pattern.

Extra deep plinth allows panel to be adjustable in height from 450 to 575mm. Thickness 15mm. Plinth height 150mm.

FEATURES

- British manufactured
- FSC - All materials sourced from protected forests
- MDF
- Fully adjustable plinth



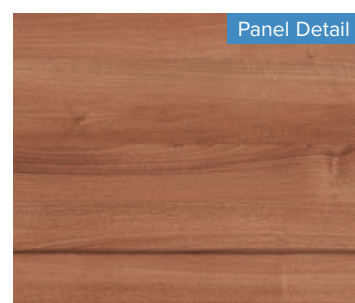
DIAMANTE BATH PANELS

Description	High gloss white	High gloss black	£ Ex VAT	£ Inc VAT
Diamante 1700 front panel	34.0701	34.07001	168.00	201.60
Diamante 1800 front panel	34.0711	34.07101	184.00	220.80
Diamante 800 end panel	34.0731	34.07301	131.00	157.20

Description	Light walnut	Dark walnut	£ Ex VAT	£ Inc VAT
Diamante 1700 front panel	34.01604	34.01605	121.00	145.20
Diamante 1800 front panel	34.01704	34.01705	134.00	160.80
Diamante 800 end panel	34.01904	34.01905	87.00	104.40

NB. 700/750 panels can be obtained by cutting down the 800 panels. All 2-piece adjustable from 450 to 575mm. Thickness 15mm. Plinth 150mm.

Colours are subject to the limitations of the printing process.



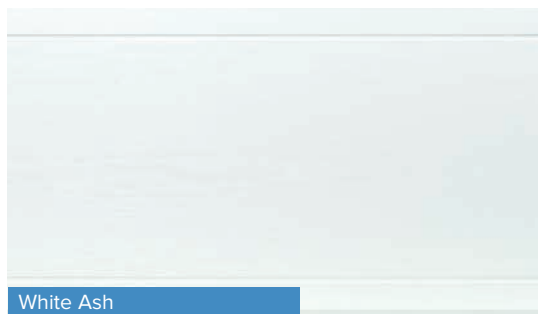
Sherwood Classic & Ultra Bath Panels



High Gloss White



Beech



White Ash

SHERWOOD CLASSIC BATH PANELS

Description	High gloss white	£ Ex VAT	£ Inc VAT	White ash	Beech	£ Ex VAT	£ Inc VAT
Sherwood classic 1700 front panel	34.1048	158.00	189.60	34.1045	34.1047	121.00	145.20
Sherwood classic 1800 front panel	34.1058	174.00	208.80	34.1055	34.1057	131.00	157.20
Sherwood classic 800 universal end panel	34.1088	121.00	145.20	34.1085	34.1087	87.00	104.40

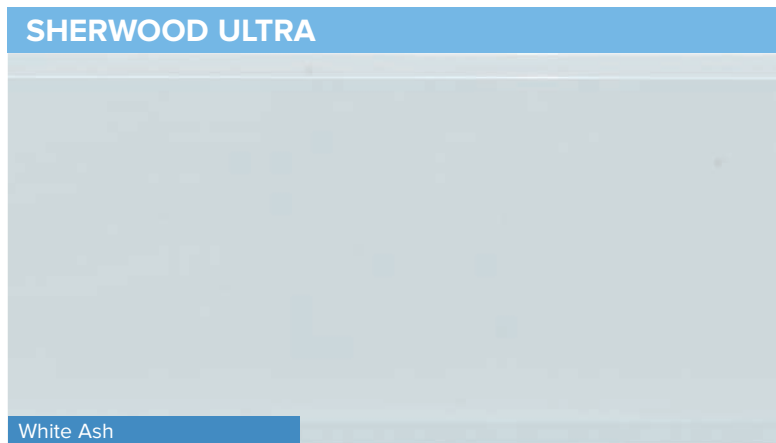
Colours are subject to the limitations of the printing process. Colour samples available on request.

FEATURES

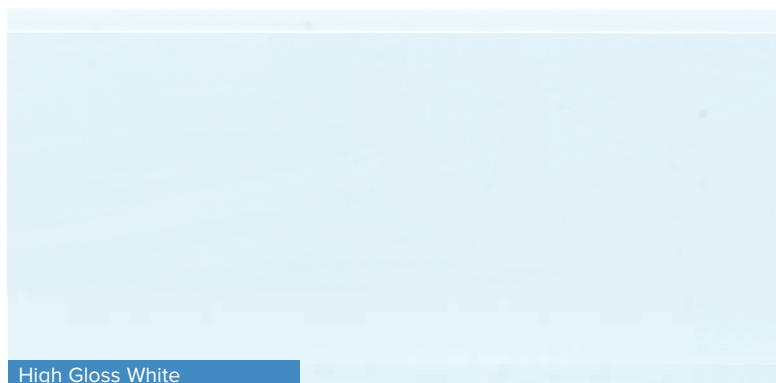
- British manufactured
- FSC - All materials sourced from protected forests
- MDF
- Fully adjustable plinth



Panel Detail



White Ash



High Gloss White

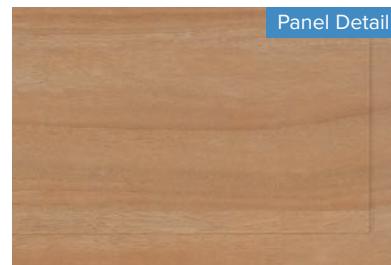
SHERWOOD ULTRA BATH PANELS

Description	White ash	£ Ex VAT	£ Inc VAT	High gloss white	£ Ex VAT	£ Inc VAT
Ultra 1700 panel	34.0065	121.00	145.20	34.0068	158.00	189.60
Ultra 1800 panel	34.0135	131.00	157.20	34.0138	174.00	208.80
Ultra 800 panel	34.0075	87.00	104.40	34.0078	121.00	145.20

NB. All panels include extra deep plinth adjustable in height from 450-575mm. The 800 universal end panel can be cut down to 700mm or 750mm size.

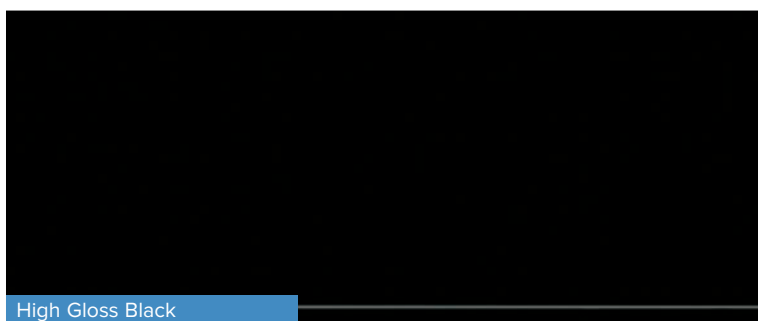
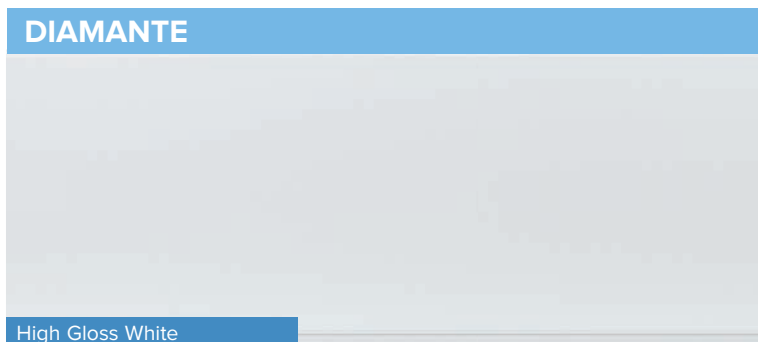
Extra deep plinth allows panel to be adjustable in height from 450mm to 575mm.

Thickness 15mm. Plinth height 150mm.



Panel Detail

Diamante, Bonito & Acer Bath Panels



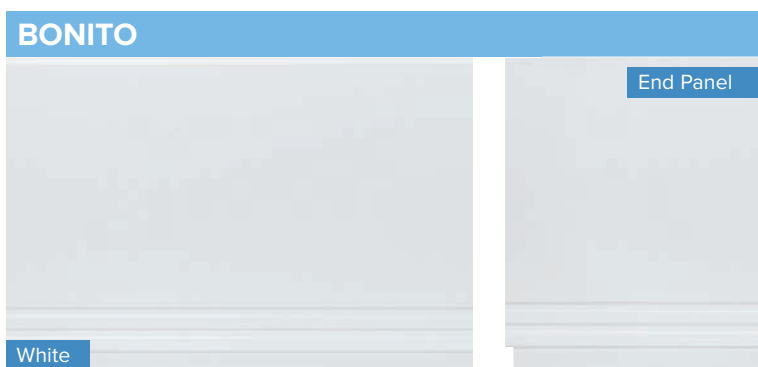
DIAMANTE BATH PANELS				
Description	Colour	Code	£ Ex VAT	£ Inc VAT
Diamante 1700 front panel	White	34.0701	168.00	201.60
Diamante 1700 front panel	Black	34.07001	168.00	201.60
Diamante 1800 front panel	White	34.0711	184.00	220.80
Diamante 1800 front panel	Black	34.07101	184.00	220.80
Diamante 800 end panel	White	34.0731	131.00	157.20
Diamante 800 end panel	Black	34.07301	131.00	157.20

NB. 700/750 panels can be obtained by cutting down the 800 panels. All 2-piece adjustable from 450 to 575 mm. Thickness 15mm. Plinth 150mm.

High Gloss White MDF panels to match Madrid and Diamante Units

FEATURES

- British manufactured
- FSC - All materials sourced from protected forests
- MDF
- Fully adjustable plinth



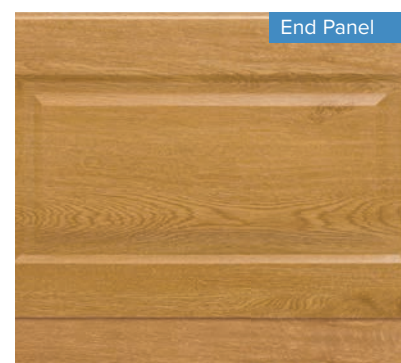
BONITO/DAISY HIGH GLOSS BATH PANELS				
Description	Colour	Code	£ Ex VAT	£ Inc VAT
Bonito/Daisy 1700 front panel	White	34.0161	158.00	189.60
Bonito/Daisy 1800 front panel	White	34.0171	174.00	208.80
Bonito/Daisy 800 end panel	White	34.0191	121.00	145.20

NB. 700/750 panels can be obtained by cutting down the 800 panels. All 2-piece adjustable from 450 to 575 mm. Thickness 15mm. Plinth 150mm

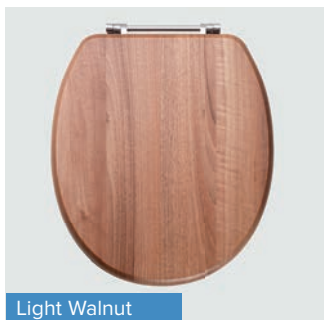


ACER BATH PANELS				
Description	Dark Walnut	Natural Oak	£ Ex VAT	£ Inc VAT
Acer 1700 front panel	29.00605	29.0063	169.00	202.80
Acer 1800 front panel	29.00705	29.0073	176.00	211.20
Acer 700 end panel	29.00805	29.0083	95.00	114.00
Acer 750 end panel	29.00905	29.0093	99.00	118.80
Acer 800 end panel	29.01005	29.0103	102.00	122.40

All 2-piece adjustable from 450 to 575 mm. Thickness 15mm. Plinth 150mm



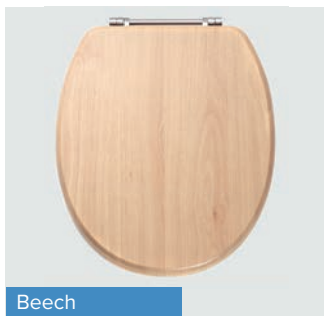
Toilet Seats



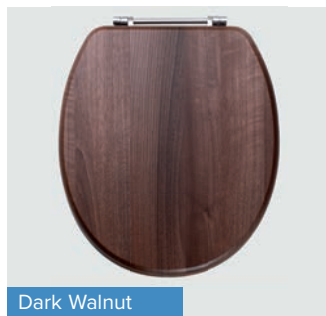
Light Walnut



White Ash



Beech



Dark Walnut

FEATURES

- British manufactured
- FSC - All materials sourced from protected forests
- MDF
- Soft close seat option available
- Soft close seat is top fixing



SHERWOOD TOILET SEATS

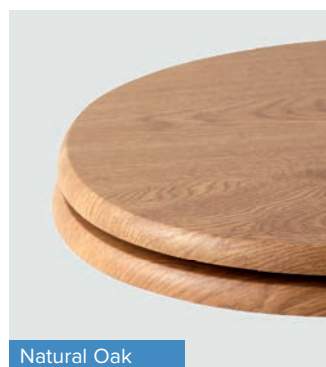
Suitable to match all Sherwood styles of panel with an option of a soft-close hinge.

Description	White Ash	Light Walnut	Beech	Dark Walnut	£ Ex VAT	£ Inc VAT
Sherwood MDF seat in vinyl wrap with chrome-plated bar hinges	34.1095	34.10904	34.1097	34.10905	96.00	115.20
Sherwood MDF seat in vinyl wrap with chrome plated soft-close hinges*	34.0125	34.01204	34.0127	34.01205	157.00	188.40

*Not bar hinges.



High Gloss White



Natural Oak

FEATURES

- Soft close seat option available
- Compatible with Arkitect, Belgravia and Tamarind pans (except lever flush Tamarind cistern)

Sherwood toilet seat 440mm (from back of hinge) x 375mm at widest point, 420mm x 375mm lid size.

Colours subject to the limitations of the printing process.

SHERWOOD TOILET SEATS

Suitable to match all Sherwood styles of panel with an option of a soft-close hinge.

Description	Natural oak	£ Ex VAT	£ Inc VAT	High gloss white	£ Ex VAT	£ Inc VAT
Sherwood MDF seat in vinyl wrap with chrome-plated bar hinges	34.1093	96.00	115.20	34.1098	115.00	138.00
Sherwood MDF seat in vinyl wrap with chrome plated soft-close hinges*	34.0123	157.00	188.40	34.0128	169.00	202.80

*Not bar hinges.

DIAMANTE HIGH GLOSS TOILET SEAT

Description	High gloss black	£ Ex VAT	£ Inc VAT
Sherwood seat with Chrome hinges	34.10901	115.00	138.00
Sherwood seat soft close hinge	34.01201	169.00	202.80

NB. Soft close hinges are standard not bar type.

FEATURES

- Soft close seat option available



High Gloss Black

Volente Overbath Slider



FEATURES

- 6mm tempered glass
- Runners release for ease of cleaning
- Easy clean glass

VOLENTE OVERBATH SLIDER

Description (Width x Height)	Adjustment	Code	£ Ex VAT	£ Inc VAT
Volente 1690 x 1475 Overbath Slider 6mm, opening 690	1670-1690	69.0034	381.00	457.20
Volente 1790 x 1475 Overbath Slider 6mm, opening 740	1770-1790	69.0035	395.00	474.00
Volente 690 x 1475 Overbath End Panel	670-690	69.0036	169.00	202.80
Volente 740 x 1475 Overbath End Panel	720-740	69.0037	171.00	205.20
Volente 790 x 1475mm Overbath End Panel	770-790	69.0038	175.00	210.00



BATH SCREEN

Description (Width x Height)	Code	£ Ex VAT	£ Inc VAT
6mm Bathscreen 1000 x 1400mm	69.0164	271.00	325.20

Only suitable for a bath with a flat rim.

FEATURES

- 6mm tempered glass
- 180° hinge
- 1400mm height
- 250mm fixed panel
- 750mm hinged panel
- Support bar included

Bath Screens



Description	Dimension width x height	Code	£ Ex VAT	£ Inc VAT
Sail shape screen with towel rail	895 x 1410mm	69.701	247.00	296.40

FEATURES

- 5mm tempered glass



Description	Dimension width x height	Code	£ Ex VAT	£ Inc VAT
Bathguard Fixed Panel	300 x 1400mm	58.715	110.00	132.00

FEATURES

- 6mm tempered glass



Description	Dimension width x height	Code	£ Ex VAT	£ Inc VAT
Corniche bath screen with rail	800 x 1400mm	69.0142	290.00	348.00

FEATURES

- 8mm tempered glass



Description	Dimension width x height	Code	£ Ex VAT	£ Inc VAT
Radius corner screen	750 x 1380mm	69.702	213.00	255.60

FEATURES

- 5mm tempered glass

Volente 1000 & 1250 Screens



VOLENTE

A universal screen which will fit a corner, offset corner or straight bath. It has a continuous wiper seal on the bottom and the folding section is operated by an inter-linking, 360° cog assembly. 1400 x 1000/1250mm with an adjustment of 990-1000/1240-1250, 5mm tempered glass.



Description	Dimension height x width	Code	£ Ex VAT	£ Inc VAT
Volente 1000 4 fold screen	1400 x 1000	58.700	180.00	216.00
Volente 1250 5 fold screen	1400 x 1250	58.701	223.00	267.60

FEATURES

- 5mm tempered glass



Right hand shown



Description	Code	£ Ex VAT	£ Inc VAT
Volente 1000mm 1 fixed and 3 folding panel LH	58.710L	369.00	442.80
Volente 1000mm 1 fixed and 3 folding panel RH	58.710R	369.00	442.80

NB Panels fold over bath only. Only suitable for a bath with a flat rim.

FEATURES

- 6mm tempered glass
- Easy clean glass



Right hand shown

Description	Code	£ Ex VAT	£ Inc VAT
Volente 1250mm 1 fixed and 4 folding panels LH	58.711L	459.00	550.80
Volente 1250mm 1 fixed and 4 folding panels RH	58.711R	459.00	550.80

NB Panels fold over bath only. Only suitable for a bath with a flat rim.

FEATURES

- 6mm tempered glass
- Easy clean glass

Volente Hinged Screens



Description	Dimension width x height	Code	£ Ex VAT	£ Inc VAT
Volente 2 part hinged screen	1465 x 1550mm	58.706	395.00	474.00

Volente bath screen featuring two hinged panels.

*Only suitable for a flat rimmed bath

FEATURES

- 6mm tempered glass
- Easy clean glass



Description	Dimension width x height	Code	£ Ex VAT	£ Inc VAT
Volente 1 fixed 2 hinge panel	1475 x 1550mm	58.709	467.00	560.40

Volente bath screen featuring one fixed panel and two hinged panels.

*Only suitable for a flat rimmed bath

FEATURES

- 6mm tempered glass
- Easy clean glass



BEAUFORT SCREENS

Description	Code	£ Ex VAT	£ Inc VAT
Beaufort screen 1400mm	58.4000	335.00	402.00
Beaufort screen 1400mm with towel rail	69.0141	450.00	540.00

NB. Soft close hinges are standard not bar type.

FEATURES

- 6mm tempered glass
- Easy clean glass



TYPE 1 SCREENS

Description	Code	£ Ex VAT	£ Inc VAT
Type 1 Screen across bath for 700 width	58.716	176.00	211.20
Type 1 screen across bath for 750 width	58.717	182.00	218.40
Type 1 screen across bath for 800 width	58.718	189.00	226.80
Type 1 screen across bath for 900 width	58.719	194.00	232.80
Type 1 universal side screen 1400 x 800mm	58.720	132.00	158.40

Type 1 bath screen with two hinged panels - when fitting on a double ended bath ensure taps are mounted left or right of screen wall profile.

FEATURES

- 6mm tempered glass
- Easy clean glass

Volente Hinged Screens



Description	Dimension width x height	Code	£ Ex VAT	£ Inc VAT
Volente 6mm hinge bath screen	850 x 1500mm	58.702	216.00	259.20

- FEATURES**
- 6mm tempered glass
 - Easy clean glass



Description	Dimension width x height	Code	£ Ex VAT	£ Inc VAT
Volente 8mm hinge bath screen	850 x 1500mm	58.703	224.00	268.80

- FEATURES**
- 8mm tempered glass
 - Easy clean glass



Description	Dimension width x height	Code	£ Ex VAT	£ Inc VAT
Volente 6mm hinge bath screen frosted	850 x 1500mm	58.704	185.00	222.00

- FEATURES**
- 6mm tempered glass
 - Easy clean glass



Description	Dimension width x height	Code	£ Ex VAT	£ Inc VAT
Volente 8mm hinge bath screen frosted	850 x 1500mm	58.705	198.00	237.60

- FEATURES**
- 8mm tempered glass
 - Easy clean glass

Designer Bath Screens

L SHAPE & P SHAPE SCREENS



49.2001

P SHAPE SCREENS - LEFT HAND				
Description	Colour	Code	£ Ex VAT	£ Inc VAT
P Shape Bath Screen 6mm - Left Hand (LH)	Brushed Brass	49.2005	233.00	279.60
P Shape Bath Screen 6mm - Left Hand (LH)	Matt Black	49.2003	219.00	262.80
P Shape Bath Screen 6mm - Left Hand (LH)	Chrome	49.2001	208.00	249.60

FEATURES

- 6mm P Shape clear glass
- Concealed profile
- Zinc-alloy pivot hinges



49.2006

P SHAPE SCREENS - RIGHT HAND				
Description	Colour	Code	£ Ex VAT	£ Inc VAT
P Shape Bath Screen 6mm - Right Hand (RH)	Brushed Brass	49.2006	233.00	279.60
P Shape Bath Screen 6mm - Right Hand (RH)	Matt Black	49.2004	219.00	262.80
P Shape Bath Screen 6mm - Right Hand (RH)	Chrome	49.2002	208.00	249.60

FEATURES

- 6mm P Shape clear glass
- Concealed profile
- Zinc-alloy pivot hinges



49.2012

L SHAPE SCREENS - LEFT HAND				
Description	Colour	Code	£ Ex VAT	£ Inc VAT
L Shape Bath Screen 6mm - Left Hand (LH)	Brushed Brass	49.2012	254.00	304.80
L Shape Bath Screen 6mm - Left Hand (LH)	Matt Black	49.2009	234.00	280.80
L Shape Bath Screen 6mm - Left Hand (LH)	Chrome	49.2007	220.00	264.00

FEATURES

- 6mm L Shape clear glass
- Concealed profile
- Zinc-alloy pivot hinges



49.2011

L SHAPE SCREENS - RIGHT HAND				
Description	Colour	Code	£ Ex VAT	£ Inc VAT
L Shape Bath Screen 6mm - Right Hand (RH)	Brushed Brass	49.2013	254.00	304.80
L Shape Bath Screen 6mm - Right Hand (RH)	Matt Black	49.2011	234.00	280.80
L Shape Bath Screen 6mm - Right Hand (RH)	Chrome	49.2008	220.00	264.00

FEATURES

- 6mm L Shape clear glass
- Concealed profile
- Zinc-alloy pivot hinges

Designer Bath Screens

L SHAPE & P SHAPE SCREENS



58.4001



69.3002R



69.0143

L SHAPE & P SHAPE SCREENS

Description	Colour	Code	£ Ex VAT	£ Inc VAT
Beaufort Type 1 Screen, 6mm glass	Chrome	58.4001	444.00	532.80
Type 2 Screen - 1 folding door LH Chrome, easy clean 6mm glass	Chrome	69.3002L	623.00	747.60
Type 2 Screen - 1 folding door RH Chrome, easy clean 6mm glass	Chrome	69.3002R	623.00	747.60
P Shape Screen with towel rail, 6mm glass	Chrome	69.0143	413.00	495.60

Beaufort Screen Compatibility
Please refer to page 123 of the Beaufort bath section to view which baths these screens fit well with.



69.0140



69.0139



58.713

L SHAPE & P SHAPE SCREENS

Description	Colour	Code	£ Ex VAT	£ Inc VAT
C Shape Shower Screen 6mm, with easy clean	Chrome	69.0140	229.00	274.80
C Shape Shower Screen 5mm, with easy clean	Chrome	69.0139	154.00	184.80
Shannon Shower Screen 6mm, easy clean	Chrome	58.713	226.00	271.20

Beaufort Screen Compatibility
Please refer to page 123 of the Beaufort bath section to view which baths these screens fit well with.

Designer Bath Screens

CHROME DESIGNER SCREENS - 6MM GLASS



49.0106



49.1010



49.1011

DESIGNER SCREENS - CHROME

Description	Colour	Code	£ Ex VAT	£ Inc VAT
6mm Radius bath screen 800 x 1400	Chrome	49.0106	170.00	204.00
6mm Straight bath screen 800 x 1400	Chrome	49.1010	169.00	202.80
6mm Straight bath screen 300 x 1400	Chrome	49.1011	107.00	128.40

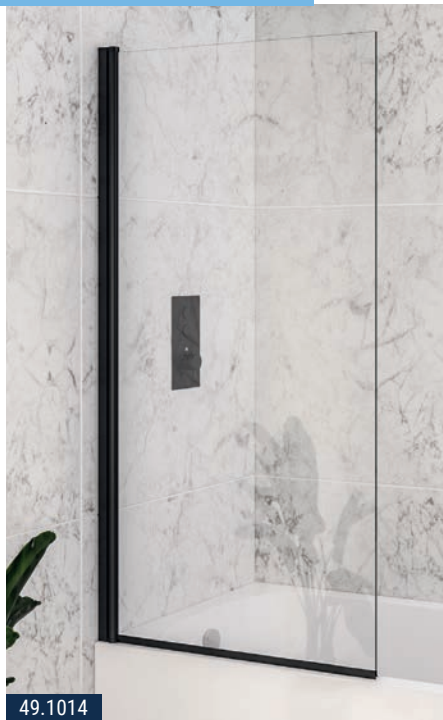
FEATURES

- 6mm tempered glass
- Easy clean glass
- 180 degrees barrel hinge
- Fully concealed fittings

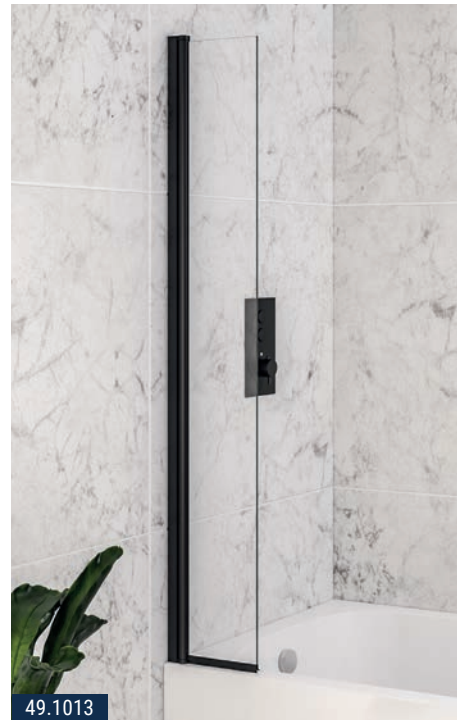
MATT BLACK DESIGNER SCREENS - 6MM GLASS



49.0108



49.1014



49.1013

DESIGNER SCREENS - MATT BLACK

Description	Colour	Code	£ Ex VAT	£ Inc VAT
6mm Radius bath screen 800 x 1400	Matt Black	49.0108	170.00	204.00
6mm Straight bath screen 800 x 1400	Matt Black	49.1014	169.00	202.80
6mm Straight bath screen 300 x 1400	Matt Black	49.1013	106.00	127.20

FEATURES

- 6mm tempered glass
- Easy clean glass
- 180 degrees barrel hinge
- Fully concealed fittings
- Anodised profile

Beaufort & Vantage Bath Screens

BEAUFORT SCREENS



69.4001L (Left Hand Shown)

Description	Dimension width x height	Code	£ Ex VAT	£ Inc VAT
Beaufort Screen Type 1 Pivot Door LH	(775+850) x 1535	69.4001L	302.00	362.40
Beaufort Screen Type 1 Pivot Door RH	(775+850) x 1535	69.4001R	302.00	362.40

FEATURES

- 6mm tempered glass
- Easy clean glass
- Left Hand or right hand options
- Easy open pivot door, with handle.



69.4002L (Left Hand Shown)

Description	Dimension width x height	Code	£ Ex VAT	£ Inc VAT
Beaufort Screen Type 2 Folding Door LH	(785+465) x 1535	69.4002L	247.00	296.40
Beaufort Screen Type 2 Folding Door RH	(785+465) x 1535	69.4002R	247.00	296.40

FEATURES

- 6mm tempered glass
- Easy clean glass
- Left hand or right hand options
- Easy open folding door.



69.4003

Description	Dimension width x height	Code	£ Ex VAT	£ Inc VAT
Beaufort Screen Type 3 Sliding Door	(985+850) x 1535	69.4003	315.00	378.00

FEATURES

- 6mm tempered glass
- Easy clean glass
- Works on both LH & RH P-Shape baths
- Easy slide action screen

VANTAGE FRAMED HINGE SCREEN



49.1101

Description	Dimension width x height	Code	£ Ex VAT	£ Inc VAT
6mm Matt Black Framed Hinge Bath Screen	800 x 1400	49.1101	205.00	246.00

FEATURES

- 6mm tempered glass
- Easy clean glass



Sanitaryware

From the timeless, traditional classic designs to the latest contemporary and minimalist styling, you are sure to find the right suite to fit your décor and budget.

Contents

Andelle	148-149	Metro Short Projection	180-181
Arkitect	150	Minima	182
Belgravia	151	Mentmore	183
Bijou	152-153	Northall	184-185
Cheverney	154-155	Tamarind	186-187
Collindale	156-157	Temptation	188-189
Courchevel	158-159	Wingrave II	190-191
Crowthorne	160-161	Sit-On Basins	192
DOC M Pack	162-163	Cloakroom Basins	193-195
Dura	164-167	Inset Vanity Basins	196
Farringdon	168-169	Semi-Recessed Basins	197
Kenley	170-171	Back To Wall Pans	198-199
Kompact	172-175	Wall Hung Pans	200
Loire	176-179	Jollytronic	201
		Concealed Cisterns	201-202
		Sanitaryware Accessories	203



Andelle Range

ANDELLE

A value for money modern suite with clean lines.

FEATURES

- Cloakroom basin on full pedestal
- Soil can be turned left or right
- Top fix seat
- Soft close seat can be unclipped for cleaning

Description	Code	£ Ex VAT	£ Inc VAT
Fabiano Mirror 700 x 500 LED	40.1004	346.00	415.20

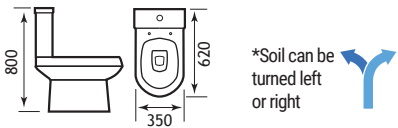


Soft Close Seat

Shown with Genoa Accessories



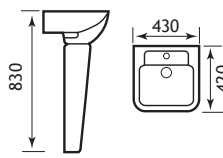
Description	Code	£ Ex VAT	£ Inc VAT
Andelle WC Pan	24.0006	109.00	130.80
Andelle WC Cistern inc Fittings	24.0007	82.00	98.40
Andelle soft close seat	24.0011	64.00	76.80
Jollytronic universal bottom entry cistern fitting	7.0000	135.00	162.00



24.0006 24.0007



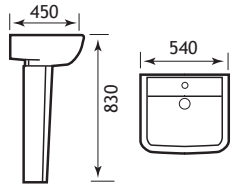
Description	Code	£ Ex VAT	£ Inc VAT
Andelle 430mm 1TH Basin	24.0010	63.00	75.60
Andelle Pedestal	24.0009	33.00	39.60



24.0010 24.0009



Description	Code	£ Ex VAT	£ Inc VAT
Andelle 540mm 1TH Basin	24.0008	68.00	81.60
Andelle Pedestal	24.0009	33.00	39.60



24.0008 24.0009

Andelle Range



Complete the LOOK



52.014



52.005

Description	Dimension width x projection	Code	£ Ex VAT	£ Inc VAT
Metal Towel Ring	190x170x57	52.014	36.00	43.20
Metal Soap Dispenser	52x100	52.005	59.00	70.80



Arkitekt Range

ARKITECT



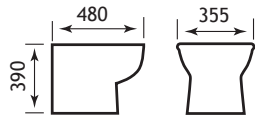
Image shown with Bonito Furniture. For full range of Bonito furniture in our Vanity section.
Basin for illustration purposes only.

Perfect for the smaller bathroom or cloakroom, the Arkitekt range combines style with space-saving practicality.

Description	Code	£ Ex VAT	£ Inc VAT
Arkitekt BTW WC pan*	10.017	173.00	207.60
Loire/Arkitekt deluxe seat	50.001	50.00	60.00
Loire soft close seat**	50.002	132.00	158.40

Can be fitted with a Sherwood seat.
**Bottom fix

BTW Pan extras			
Description	Code	£ Ex VAT	£ Inc VAT
Vantage Plain Hidden Cistern	17.001	180.00	216.00
Vantage Hidden Cistern with Jacket	17.3029	207.00	248.40
EB Jacket Hidden Cistern - Bottom Inlet	53.001	112.00	134.40
Flexible WC Connector for BTW Pans *	2.009	40.00	48.00



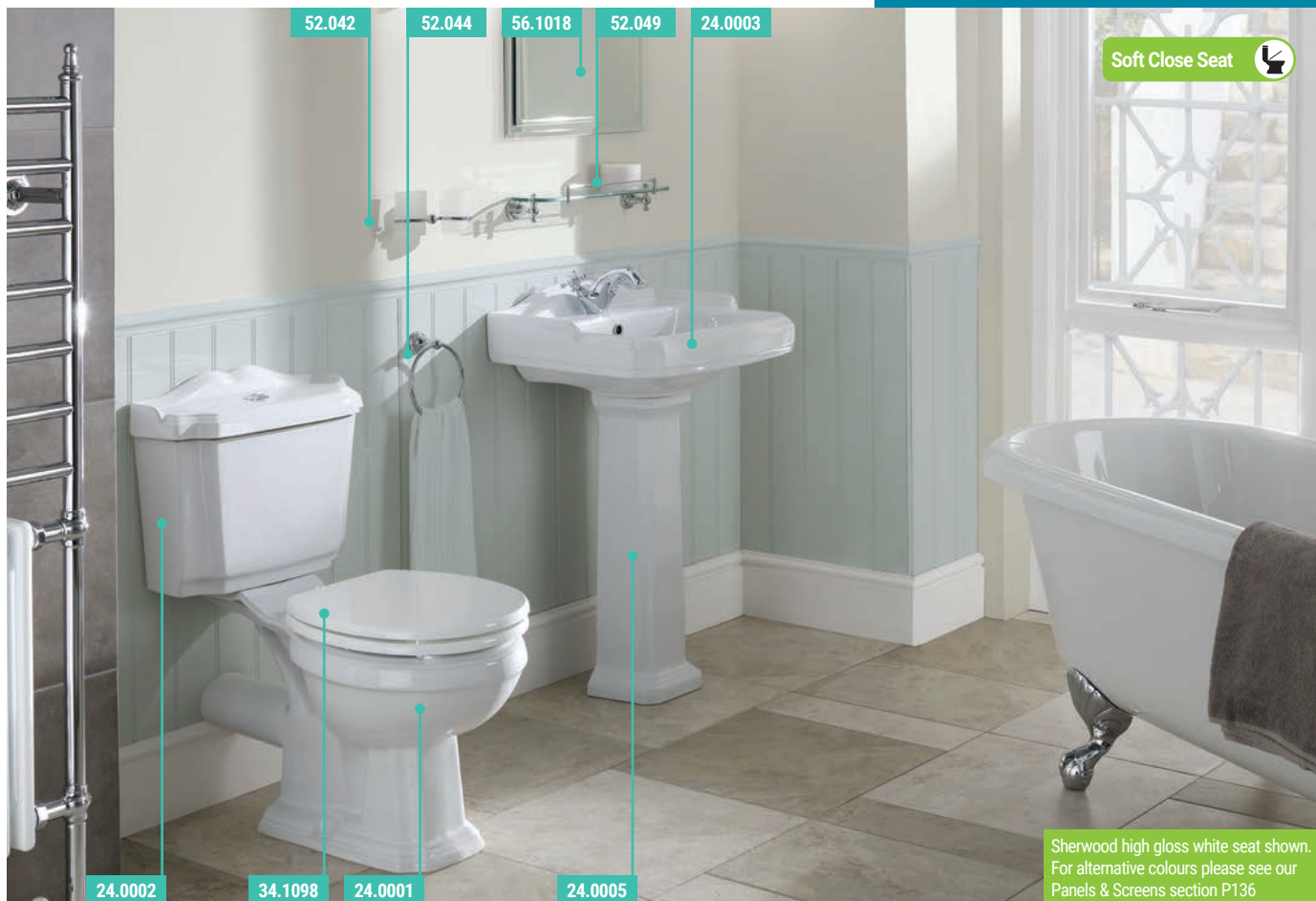
10.017

*Pan connector 2.009 is recommended for use with our BTW pans.

Belgravia Range

BELGRAVIA

Soft Close Seat 



Sherwood high gloss white seat shown. For alternative colours please see our Panels & Screens section P136



A traditional design with unmistakable period details, Belgravia is an affordable classic with a distinctive Victorian feel.

Belgravia WC

Description	Code	£ Ex VAT	£ Inc VAT
Belgravia WC Pan	24.0001	158.00	189.60
Belgravia Cistern inc fittings	24.0002	107.00	128.40
Rhone soft close seat	40.0001	84.00	100.80
Jollytronic universal bottom entry cistern fitting**	7.0000	135.00	162.00
Sherwood seat HGW	34.1098	115.00	138.00

Can be fitted with a Sherwood seat.
**For more information see page 136.

Belgravia Basin

Description	Code	£ Ex VAT	£ Inc VAT
Belgravia 1TH Basin	24.0003	112.00	134.40
Belgravia 2TH Basin	24.0004	112.00	134.40
Belgravia Pedestal	24.0005	47.00	56.40

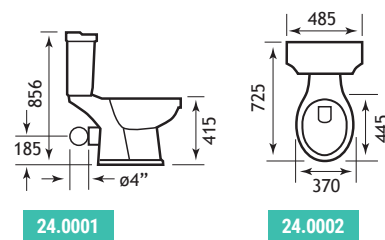
FEATURES

- Soft close seat, lifts off for easy cleaning
- Water inlet left or right
- Soil can be turned left or right

Complete the LOOK

Accessories

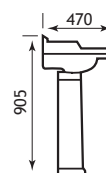
Description	Code	£ Ex VAT	£ Inc VAT
Rockingham Glass Shelf	52.049	97.00	116.40
Rockingham Double Tumbler Holder	52.042	90.00	108.00
Rockingham Towel Ring	52.044	59.00	70.80



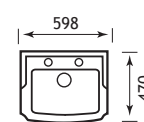
24.0001

24.0002

*Soil can be turned left or right



24.0005



24.0003/4

Bijou Range



- Rimless Tech 
- Soft Close Seat 
- Comfort Height 

Shown with Wendover Multirail.
Full range page 488-494

A jewel in the Eastbrook range, featuring subtle angular lines to create a sleek and contemporary look.

BIJOU 500 BASIN



Description	Code	£ Ex VAT	£ Inc VAT
Bijou 500 1TH Basin*	26.0107	102.00	122.40
Bijou 500 2TH Basin*	26.0108	102.00	122.40
Bijou Pedestal	26.0077	62.00	74.40
Bijou Semi pedestal	26.0085	52.00	62.40

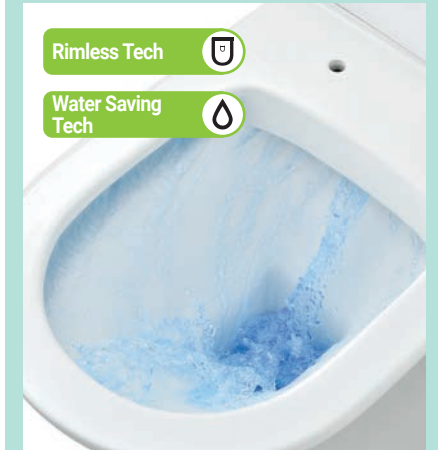
BIJOU PAN



- Rimless Tech 
- Soft Close Seat 
- Comfort Height 

Description	Code	£ Ex VAT	£ Inc VAT
Bijou Pan	26.0071	198.00	237.60
Bijou Rimless Pan	26.0082	207.00	248.40
Bijou Comfort Height Pan	26.0111	215.00	258.00
Bijou Comfort Height Rimless Pan	26.0112	229.00	274.80
Bijou Cistern	26.0074	105.00	126.00
Bijou/Collindale Soft close seat	26.0070	82.00	98.40

FEATURING Rimless Technology

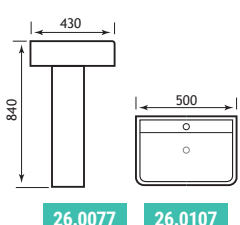


- Rimless Tech 
- Water Saving Tech 

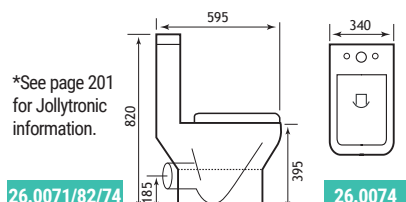
EASY CLEAN
Nowhere for germs to hide.

AESTHETICS
Simplistic look.

EFFICIENT
A complete rim flush for effective cleaning.



26.0077 26.0107



*See page 201 for Jollytronic information.

26.0071/82/74 26.0074

Bijou Range



Soft Close Seat

Rimless Tech

Shown with Wendover Multirail.

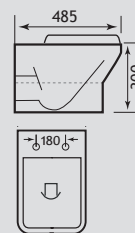
Full range page 488-494

26.0075

26.0085

26.0072

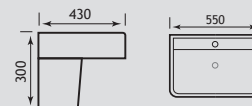
BIJOU WALL HUNG PAN



26.0072/26.0083

Description	Code	£ Ex VAT	£ Inc VAT
Bijou Wall Hung Pan	26.0072	219.00	262.80
Bijou Rimless Wall Hung Pan	26.0083	219.00	262.80
Bijou/Collindale Soft close seat	26.0070	82.00	98.40

BIJOU 550MM BASIN



26.0075/26.0084

Description	Code	£ Ex VAT	£ Inc VAT
Bijou 550mm 1TH basin	26.0075	119.00	142.80
Bijou 550mm 2TH basin	26.0106	119.00	142.80
Bijou Semi pedestal	26.0085	52.00	62.40
Bijou Pedestal	26.0077	62.00	74.40



56.1073

56.2000

28.009

See page 382-383 for Oslo Semi recessed furniture

26.0076

1.039

1.053

1.052

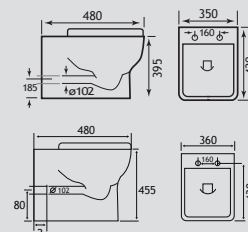
26.0073

BIJOU BACK TO WALL PAN



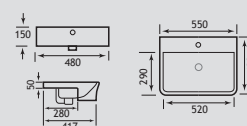
26.0073

26.0109



Description	Code	£ Ex VAT	£ Inc VAT
Bijou BTW Pan	26.0073	207.00	248.40
Bijou Rimless BTW Pan	26.0084	207.00	248.40
Bijou BTW Comfort Height Pan	26.0110	225.00	270.00
Bijou Rimless Comfort Height BTW Pan	26.0109	240.00	288.00
Bijou/Collindale Soft close seat	26.0070	82.00	98.40
Flexible Connector for BTW Pans	2.009	40.00	48.00
Vantage Plain Hidden Cistern	17.001	180.00	216.00
Vantage Hidden Cistern with Jacket	17.3029	207.00	248.40
Eastbrook Jacket Hidden Cistern Bottom Inlet	53.001	112.00	134.40

BIJOU 550 SEMI RECESSED 1TH BASIN



26.0076

Description	Code	£ Ex VAT	£ Inc VAT
Bijou Semi Recessed basin	26.0076	125.00	150.00

Cheverney Range



Simplicity and style come together in this modern inexpensive suite.

FEATURES

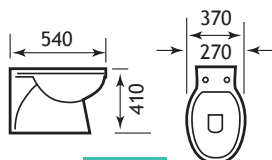
- Soft close seat, lifts off for easy cleaning
- Soil can be turned left or right on close coupled pan

CHEVERNEY BTW PAN



Soft Close Seat

Description	Code	£ Ex VAT	£ Inc VAT
Type 55 BTW WC pan	27.0101	139.00	166.80
Loire soft close seat	50.002	132.00	158.40
Loire Type 55 seat and cover	40.0002	32.00	38.40
Rhone soft close seat	40.0001	84.00	100.80



27.0101

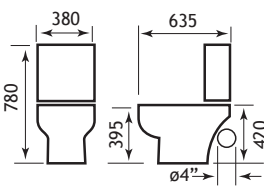
CHEVERNEY CC PAN



Soft Close Seat

Description	Code	£ Ex VAT	£ Inc VAT
Cheverney Cistern	75.0022	60.00	72.00
Type 55 Pan	75.0020	69.00	82.80
Loire Soft Close Seat	50.002	132.00	158.40
Loire Seat & Cover	40.0002	32.00	38.40
Rhone soft close seat	40.0001	84.00	100.80
Jollytronic Universal Bottom Entry Cistern Fitting *	7.0000	135.00	162.00

*See rear of Sanitaryware section for Jollytronic.



75.0020

75.0022

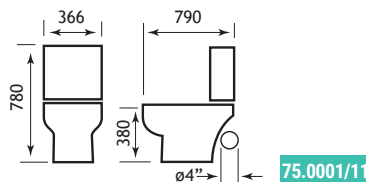
CHEVERNEY CORNER PAN



Soft Close Seat

Description	Code	£ Ex VAT	£ Inc VAT
Loire Corner Cistern inc fittings †	75.0011	107.00	128.40
Loire Close Coupled Pan	75.0001	101.00	121.20
Loire Soft Close Seat	50.002	132.00	158.40
Loire Seat & Cover	40.0002	32.00	38.40
Rhone Soft Close Seat	40.0001	84.00	100.80
Jollytronic Universal Bottom Entry Cistern Fitting *	7.0000	135.00	162.00

†Can only be fitted with 75.0001



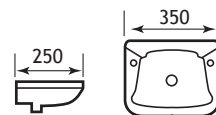
75.0001/11

Cheverney Range

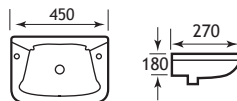
CHEVERNEY CLOAKROOM BASINS



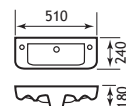
Cheverney Cloakroom Basins - 350 x 250			
Description	Code	£ Ex VAT	£ Inc VAT
350 x 250 cloakroom basin 1TH RH	75.0008	59.00	70.80
350 x 250 cloakroom basin 2TH	75.0018	59.00	70.80



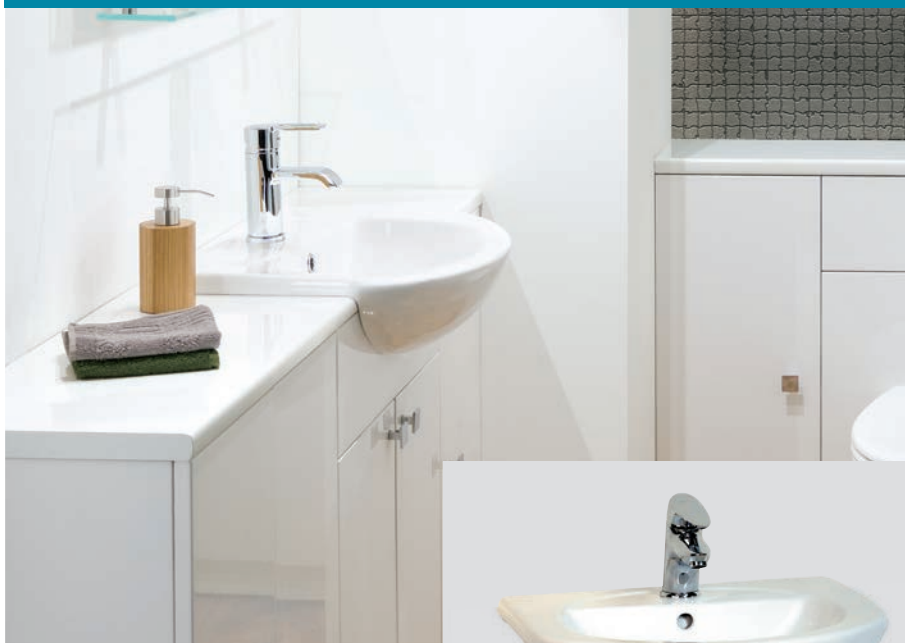
Cheverney Cloakroom Basins - 450 x 275			
Description	Code	£ Ex VAT	£ Inc VAT
450 x 275 cloakroom basin 1TH RH	75.0009	61.00	73.20
450 x 275 cloakroom basin 2TH	75.0019	61.00	73.20



Cheverney Cloakroom Basins - 510 x 240			
Description	Code	£ Ex VAT	£ Inc VAT
510x240 cloakroom Basin 2TH	27.0921	35.00	42.00



CHEVERNEY SEMI RECESSED BASIN



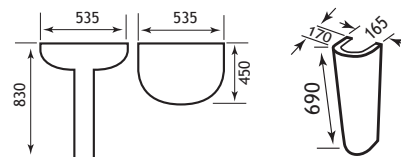
Cheverney Semi Recessed Basins			
Description	Code	£ Ex VAT	£ Inc VAT
Loire Semi-Recessed basin 1TH	75.0006	107.00	128.40



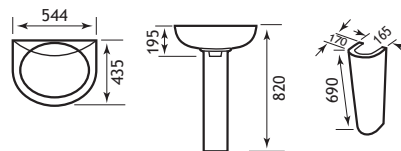
CHEVERNEY TYPE 55 BASIN



Cheverney Type 55 Basins (535)			
Description	Code	£ Ex VAT	£ Inc VAT
Loire 535 Basin 1TH	75.0003	59.00	70.80
Loire 535 Basin 2TH	75.0014	59.00	70.80
Loire Pedestal	75.0004	41.00	49.20
Semi Ped for 75.0003 & 75.0014	75.0025	39.00	46.80



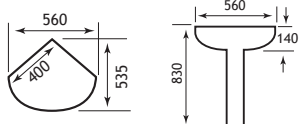
Cheverney Type 55 Basins			
Description	Code	£ Ex VAT	£ Inc VAT
Type 55 basin 2TH †	27.0851	31.00	37.20
Loire Pedestal	75.0004	41.00	49.20



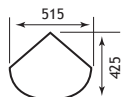
CHEVERNEY CORNER BASIN



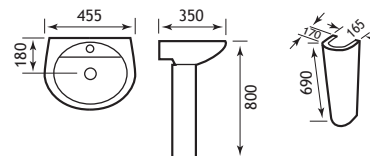
Cheverney Corner Basins Type 55 (400)			
Description	Code	£ Ex VAT	£ Inc VAT
Loire 400 Corner Basin 1TH	75.0007	82.00	98.40
Loire 400 Corner Basin 2TH	75.0017	82.00	98.40
Loire Pedestal	75.0004	41.00	49.20



Cheverney Corner Basins Type 55			
Description	Code	£ Ex VAT	£ Inc VAT
Type 55 Corner Basin 2TH	27.0941	44.00	52.80
Loire Pedestal	75.0004	41.00	49.20



Cheverney Basins Type 55 (450)			
Description	Code	£ Ex VAT	£ Inc VAT
Loire 450 Basin 1TH	75.0005	59.00	70.80
Loire 450 Basin 2TH	75.0015	59.00	70.80
Loire Pedestal	75.0004	41.00	49.20



Collindale Range



- Comfort Height
- Soft Close Seat
- Rimless Tech

Pictured with Wendover Multirail P488-494
For flush plates see P202-203

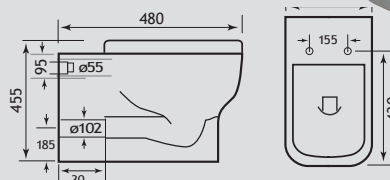
The Collindale range features a high standard comfort height rimless pans, in which the design is not compromised. It's geometric shapes and simplistic functionality will suite any modern bathroom.

FEATURES

- Rimless Technology
- Soft close seat unclips for cleaning
- Semi recessed basin to match

COLLINDALE COMFORT BTW PAN

- Comfort Height
- Soft Close Seat
- Rimless Tech



Rimless Requires 4.5 Litre Flush

26.0068 Collindale Comfort Height BTW Pan			
Description	Code	£ Ex VAT	£ Inc VAT
Collindale Rimless Comfort Height BTW Pan	26.0068	253.00	303.60
Bijou/Collindale Soft Close Seat	26.0070	82.00	98.40
Flexible Connector for BTW Pans	2.009	40.00	48.00

Bijou & Accessories			
Description	Code	£ Ex VAT	£ Inc VAT
Bijou 550mm 1TH basin	26.0075	119.00	142.80
Bijou Pedestal	26.0077	62.00	74.40
Bijou Semi Recessed basin	26.0076	125.00	150.00
Langton 500 x 700 illuminated mirror	56.1073	248.00	297.60

Complete the LOOK

Complete the look by matching the 'Bijou' basin range (page 152-153) with the Collindale WC's.

These similar design styles allow contemporary to meet comfort. Pictured above.

Collindale Range



Pictured with
Wendover
Multirail
P488-494

FEATURING
Rimless Technology

Rimless Tech

Water Saving Tech

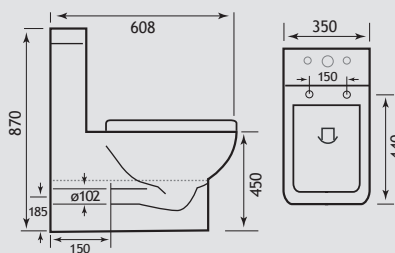
EASY CLEAN
Nowhere for germs to hide.

AESTHETICS
Simplistic look.

EFFICIENT
A complete rim flush for effective cleaning.

COLLINDALE COMFORT HEIGHT BTW CC PAN

- Comfort Height
- Soft Close Seat
- Rimless Tech



26.0067 26.0069

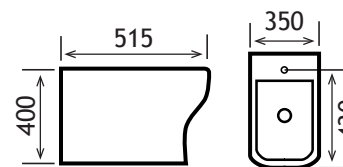
Description	Code	£ Ex VAT	£ Inc VAT
Collindale Rimless High Level BTW CC Pan	26.0067	253.00	303.60
Collindale Cistern	26.0069	99.00	118.80
Bijou/Collindale Soft Close Seat	26.0070	82.00	98.40
Jollytronic Universal Bottom Entry Cistern fitting *	7.0000	135.00	162.00

*See rear of Sanitaryware section for Jollytronic.

COLLINDALE BIDET



Description	Code	£ Ex VAT	£ Inc VAT
Collindale Bidet	26.0103	192.00	230.40



26.0103

Courchevel Range



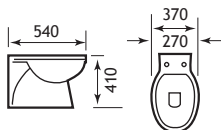
FEATURES

- Soft close seat, lifts off for easy cleaning
- Soil can be turned left or right on close-coupled pan

COURCHEVEL BTW PAN



Description	Code	£ Ex VAT	£ Inc VAT
Type 55 BTW WC pan	27.0101	139.00	166.80
Loire soft close seat	50.002	132.00	158.40
Loire Type 55 seat and cover	40.0002	32.00	38.40
Rhone soft close seat	40.0001	84.00	100.80



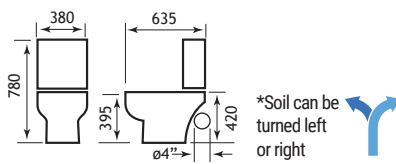
27.0101

COURCHEVEL CC PAN



Description	Code	£ Ex VAT	£ Inc VAT
Courchevel Cistern	75.0023	54.00	64.80
Type 55 Pan	75.0020	69.00	82.80
Loire Soft Close Seat	50.002	132.00	158.40
Loire Seat & Cover	40.0002	32.00	38.40
Rhone soft close seat	40.0001	84.00	100.80
Jollytronic Universal Bottom Entry Cistern Fitting *	7.0000	135.00	162.00

*See rear of Sanitaryware section for Jollytronic.



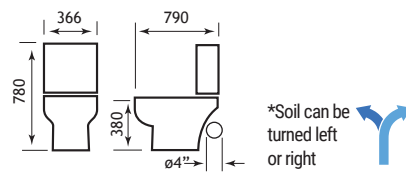
75.0023 75.0020

COURCHEVEL CORNER PAN



Description	Code	£ Ex VAT	£ Inc VAT
Loire Corner Cistern inc fittings †	75.0011	107.00	128.40
Loire Close Coupled Pan	75.0001	101.00	121.20
Loire Soft Close Seat	50.002	132.00	158.40
Loire Seat & Cover	40.0002	32.00	38.40
Rhone Soft Close Seat	40.0001	84.00	100.80
Jollytronic Universal Bottom Entry Cistern Fitting *	7.0000	135.00	162.00

†Can only be fitted with 75.0001



75.0011 75.0001

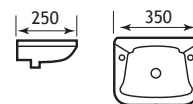
Courchevel Range

COURCHEVEL CLOAKROOM BASINS

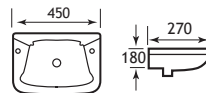
A versatile range with a variety of products available. A modern and affordable suite, a welcome addition to any bathroom..



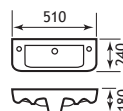
Courchevel Cloakroom Basins - 350 x 250			
Description	Code	£ Ex VAT	£ Inc VAT
350 x 250 cloakroom basin 1TH RH	75.0008	59.00	70.80
350 x 250 cloakroom basin 2TH	75.0018	59.00	70.80



Courchevel Cloakroom Basins - 450 x 275			
Description	Code	£ Ex VAT	£ Inc VAT
450 x 275 cloakroom basin 1TH RH	75.0009	61.00	73.20
450 x 275 cloakroom basin 2TH	75.0019	61.00	73.20



Courchevel Cloakroom Basins - 510 x 240			
Description	Code	£ Ex VAT	£ Inc VAT
510x240 cloakroom Basin 2TH	27.0921	35.00	42.00



COURCHEVEL SEMI RECESSED



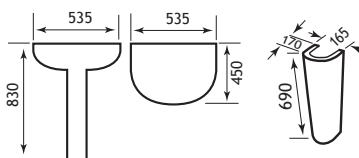
Courchevel Semi Recessed Basins			
Description	Code	£ Ex VAT	£ Inc VAT
Loire Semi-Recessed basin 1TH	75.0006	107.00	128.40



COURCHEVEL TYPE 55 BASINS



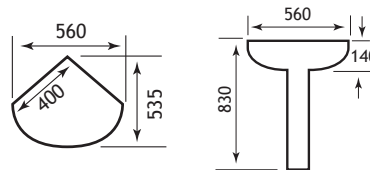
Courchevel Type 55 Basins (535)			
Description	Code	£ Ex VAT	£ Inc VAT
Loire 535 Basin 1TH	75.0003	59.00	70.80
Loire 535 Basin 2TH	75.0014	59.00	70.80
Loire Pedestal	75.0004	41.00	49.20
Semi Ped for 75.0003 & 75.0014	75.0025	39.00	46.80



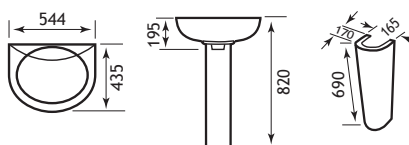
COURCHEVEL CORNER BASINS



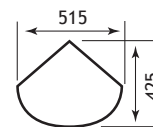
Courchevel Corner Basins Type 55 (400)			
Description	Code	£ Ex VAT	£ Inc VAT
Loire 400 Corner Basin 1TH	75.0007	82.00	98.40
Loire 400 Corner Basin 2TH	75.0017	82.00	98.40
Loire Pedestal	75.0004	41.00	49.20



Courchevel Type 55 Basins			
Description	Code	£ Ex VAT	£ Inc VAT
Type 55 basin 2TH †	27.0851	31.00	37.20
Loire Pedestal	75.0004	41.00	49.20



Courchevel Corner Basins Type 55			
Description	Code	£ Ex VAT	£ Inc VAT
Type 55 Corner Basin 2TH	27.0941	44.00	52.80
Loire Pedestal	75.0004	41.00	49.20



Crowthorne Range



Crowthorne Range

Soft Close Seat 

CROWTHORNE

A fusion of a modern shaped basin and a more traditional pan to add flair to any bathroom.

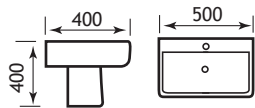
FEATURES

- Soft close seat unclips for cleaning
- Semi recessed basin to match

CROWTHORNE 500 1TH



Description	Code	£ Ex VAT	£ Inc VAT
Crowthorne Basin 500mm 1TH	26.0029	119.00	142.80
Crowthorne Semi Pedestal	26.0030	60.00	72.00



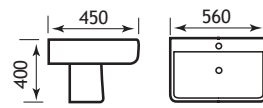
26.0030

26.0029

CROWTHORNE 560 1TH



Description	Code	£ Ex VAT	£ Inc VAT
Crowthorne Basin 560mm 1TH	26.0027	128.00	153.60
Crowthorne Semi Pedestal	26.0030	60.00	72.00



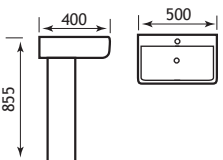
26.0030

26.0027

CROWTHORNE 500 1TH



Description	Code	£ Ex VAT	£ Inc VAT
Crowthorne Basin 500mm 1TH	26.0029	119.00	142.80
Crowthorne Pedestal	26.0028	66.00	79.20



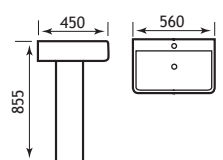
26.0028

26.0029

CROWTHORNE 560 1TH



Description	Code	£ Ex VAT	£ Inc VAT
Crowthorne Basin 560mm 1TH	26.0027	128.00	153.60
Crowthorne Pedestal	26.0028	66.00	79.20

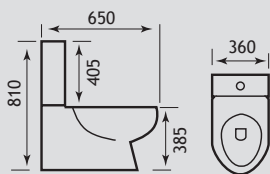


26.0028

26.0027

Shown with Alento Accessories.

Soft Close Seat 



26.0031

Description	Code	£ Ex VAT	£ Inc VAT
Crowthorne WC Pan	26.0031	132.00	158.40
Crowthorne Cistern inc Fittings	26.0032	97.00	116.40
Crowthorne Soft Close Seat	26.0033	85.00	102.00
Jollytronic Universal Bottom Entry Cistern fitting	7.0000	135.00	162.00

Doc M Pack

Items included in the Doc M pack are: + Pan + Cistern (inc fittings) + Seat ring + 4 x grab rails + 1 x swing arm + Toilet roll holder + Basin + Basin hangers + Tap + Grated waste + Bottle trap

CLOSE COUPLED DOC M PACK

“A clean looking and practical suite, built with accessibility and safety in mind.”



Close Coupled Doc M Pack - White			
Description	Code	£ Ex VAT	£ Inc VAT
Close coupled Doc M packs	27.0111	679.00	814.80

Close Coupled Doc M Pack - White With Stainless Steel Grips

Description	Code	£ Ex VAT	£ Inc VAT
Close coupled Doc M packs	27.0139	789.00	946.80



Close Coupled Doc M Pack - White With Blue Grips

Description	Code	£ Ex VAT	£ Inc VAT
Close coupled Doc M packs	27.0131	714.00	856.80



Doc M Pack



Low Level Doc M Pack With White Grips

Description	Code	£ Ex VAT	£ Inc VAT
Low level Doc M packs	27.0121	748.00	897.60



Low Level Doc M Pack With Blue Grips

Description	Code	£ Ex VAT	£ Inc VAT
Low level Doc M packs	27.0125	714.00	856.80

DOC M PACK ACCESSORIES

The below codes are for individual sale only. They will differ from the items that come as part of the Doc M packs.

Individual Accessory Prices

Description	Colour	Code	£ Ex VAT	£ Inc VAT
Grab Rails 600mm (5 pack)	White	40.0191	127.00	152.40
Grab Rails 600mm (5 pack)	Blue	40.0195	127.00	152.40
Grab Rails 600mm (5 pack)	S. Steel	40.0199	215.00	258.00
Tap from Doc M Pack	Chrome	40.0181	168.00	201.60
Padded Back Rest	White	40.0211	84.00	100.80
'Doc M' Low Level padded back rest	Blue	40.0215	84.00	100.80
Padded Back Rest	S. Steel	40.0219	142.00	170.40

Individual Sanitaryware

Description	Colour	Code	£ Ex VAT	£ Inc VAT
Basin from Doc M pack 1TH no overflow	White	27.0171	139.00	166.80
Jollytronic universal bottom entry cistern fitting		7.0000	135.00	162.00

Grab Rails And Swing Arms

Description	Colour	Code	£ Ex VAT	£ Inc VAT
300mm Grab Rail	White	40.0221	24.00	28.80
300mm Grab Rail	Blue	40.0225	24.00	28.80
300mm Grab rail	S. Steel	40.0229	39.00	46.80
450mm Grab Rail	White	40.0231	29.00	34.80
450mm Grab Rail	Blue	40.0235	29.00	34.80
450mm Grab rail	S. Steel	40.0239	46.00	55.20
600mm Grab rail	White	40.0241	40.00	48.00
600mm Grab Rail	Blue	40.0245	40.00	48.00
600mm Grab rail	S. Steel	40.0249	64.00	76.80
Swing Arm	White	40.0251	108.00	129.60
Swing Arm	Blue	40.0256	108.00	129.60
Swing Arm	S. Steel	40.0259	181.00	217.20

Seats

Description	Code	£ Ex VAT	£ Inc VAT
Loire/Arkitekt Deluxe Seat	50.001	50.00	60.00
Loire Soft Close Seat	50.002	132.00	158.40
Loire Seat & Cover	40.0002	32.00	38.40
Rhone Soft Close Seat	40.0001	84.00	100.80
Seat ring from Doc M pack White	40.0161	29.00	34.80
Seat ring from Doc M pack Blue	40.0165	39.00	46.80



Grab rail pack consists of five hand rails. Swing arm is separate.

The Doc M pack includes 4 grab rails and one swing arm



*During the life of this Brochure, all grab rails maybe supplied with either concealed or exposed back plates.

Dura Range

DURA BASINS



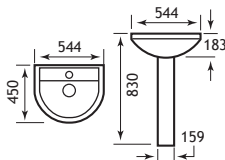
The Dura suite is a fusion - having a modern design whilst still retaining some features of the more traditional suite.

FEATURES

- Multiple basin options
- All basins match any Dura toilet pans

DURA BASIN 500 & 550 1TH

Description	Code	£ Ex VAT	£ Inc VAT
Dura Basin 500mm 1TH inc fixings	26.0003	77.00	92.40
Dura Basin 550mm 1TH inc fixings	26.0001	82.00	98.40
Dura Pedestal	26.0002	54.00	64.80



26.0001



26.0003

DURA BASIN 2TH 500



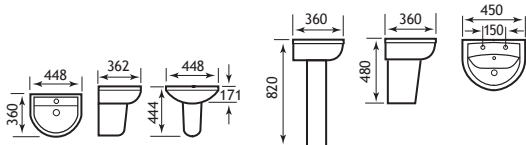
Description	Code	£ Ex VAT	£ Inc VAT
Basin 500mm 2TH inc Fixings	26.0025	77.00	92.40
Dura Pedestal	26.0002	54.00	64.80

Dura Range

DURA BASIN 450



Description	Code	£ Ex VAT	£ Inc VAT
Dura Basin 450mm 1TH inc fixings	26.0005	62.00	74.40
Dura Basin 450mm 2TH inc fixings	26.0026	68.00	81.60
Dura Semi Pedestal inc fixings	26.0004	50.00	60.00
Dura Pedestal	26.0002	54.00	64.80



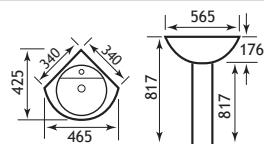
26.0005 26.0004/5 26.0002/26 26.0004/26 26.0026



DURA CORNER BASIN 460



Description	Code	£ Ex VAT	£ Inc VAT
Dura Corner Basin 460mm 1TH inc fixings	26.0013	68.00	81.60
Dura Pedestal	26.0002	54.00	64.80

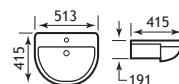


26.0013

DURA SEMI RECESSED BASIN 1TH



Description	Code	£ Ex VAT	£ Inc VAT
Dura Semi recessed basin 1TH	26.0009	75.00	90.00

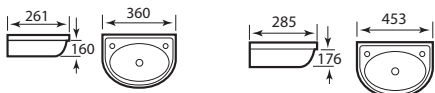


26.0009 Cut out 260mm

DURA CLOAKROOM BASIN 2TH



Description	Code	£ Ex VAT	£ Inc VAT
Dura Cloakroom Basin 360mm 1TH	26.0180	55.00	66.00
Dura Cloakroom Basin 450mm 1TH	26.0181	62.00	74.40
Dura Cloakroom Basin 450mm 2TH inc fixings	26.0012	62.00	74.40
Dura Cloakroom Basin 360mm 2TH	26.0011	55.00	66.00



26.0011

26.0012

Dura Range

DURA PANS



The Dura suite is a fusion - having a modern design whilst still retaining some features of the more traditional suite.

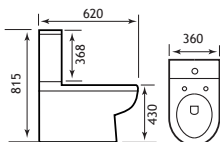
FEATURES

- Soft close seat, comfort height & rimless options
- Top fix seat

DURA COMFORT HEIGHT BTW CC PAN



Description	Code	£ Ex VAT	£ Inc VAT
Dura Comfort Height BTW CC Pan	26.0043	215.00	258.00
Dura Comfort Height BTW CC Rimless Pan	26.0133	215.00	258.00
Dura Cistern inc fittings	26.0007	82.00	98.40
Dura Deluxe Soft Close Seat	26.0015	73.00	87.60
Jollytronic universal bottom entry cistern fitting	7.0000	135.00	162.00

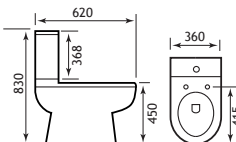


DURA COMFORT HEIGHT CC PAN



Description	Code	£ Ex VAT	£ Inc VAT
Dura Comfort Height CC Pan *	26.0046	195.00	234.00
Dura Comfort Height Rimless CC Pan**	26.0131	195.00	234.00
Dura Cistern inc fittings	26.0007	82.00	98.40
Dura Economy Seat	26.0014	37.00	44.40
Dura Deluxe Soft Close Seat	26.0015	73.00	87.60
Dura Deluxe Seat	50.011	41.00	49.20
Jollytronic cistern fitting	7.0000	135.00	162.00

*Soil can be turned left or right at the back of the pan

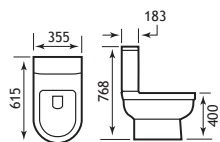


DURA PAN





Description	Code	£ Ex VAT	£ Inc VAT
Dura Pan inc fixings *	26.0006	114.00	136.80
Dura Rimless Pan	26.0130	143.00	171.60
Dura Cistern inc fittings	26.0007	82.00	98.40
Dura Economy Seat	26.0014	37.00	44.40
Dura Deluxe Soft Close Seat	26.0015	73.00	87.60
Dura Deluxe Seat	50.011	41.00	49.20
Jollytronic universal bottom entry cistern fitting	7.0000	135.00	162.00

*Soil can be turned left or right at the back of the pan



Dura Range

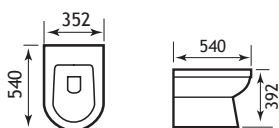
DURA BTW PAN

- Soft Close Seat 
- Rimless Tech 



Description	Code	£ Ex VAT	£ Inc VAT
Dura BTW Pan inc fixings *	26.0008	119.00	142.80
Dura BTW Rimless Pan**	26.0132	145.00	174.00
Dura Deluxe Soft Close Seat	26.0015	73.00	87.60
Flexible WC Connector BTW Pans	2.009	40.00	48.00

*BTW can only be fitted with soft close seat.

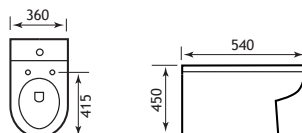


DURA COMFORT HEIGHT BTW

- Comfort Height 
- Rimless Tech 



Description	Code	£ Ex VAT	£ Inc VAT
Dura Comfort Height BTW Pan	26.0047	195.00	234.00
Dura Comfort Height BTW Rimless Pan**	26.0134	200.00	240.00
Dura Deluxe Soft Close Seat	26.0015	73.00	87.60
Flexible WC Connector BTW Pans	2.009	40.00	48.00

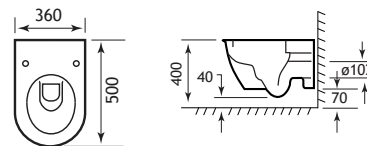


DURA WALL HUNG

- Soft Close Seat 

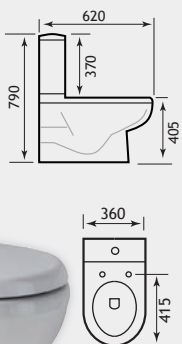


Description	Code	£ Ex VAT	£ Inc VAT
Dura Wall Hung Pan	26.0048	198.00	237.60
Dura Deluxe Soft Close Seat	26.0015	73.00	87.60
Dura Deluxe Seat	50.011	41.00	49.20



DURA BTW CC PAN

- Soft Close Seat 



Description	Code	£ Ex VAT	£ Inc VAT
Dura BTW CC Pan	26.0049	171.00	205.20
Dura Cistern inc fittings	26.0007	82.00	98.40
Dura Deluxe Soft Close Seat	26.0015	73.00	87.60
Jollytronic universal bottom entry cistern fitting	7.0000	135.00	162.00

DURA BTW PAN WITH CUT OUT

26.0050

Left hand view



26.0050

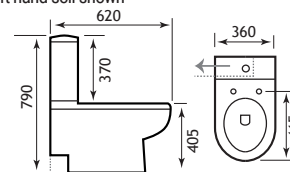
Right hand view



Description	Code	£ Ex VAT	£ Inc VAT
Dura BTW CC Pan LH Exit*	26.0050	171.00	205.20
Dura BTW CC Pan RH Exit*	26.0051	171.00	205.20
Dura Cistern inc fittings	26.0007	82.00	98.40
Dura Deluxe Soft Close Seat	26.0015	73.00	87.60

*Pipework needs to be floor level.

Left hand soil shown




*Soil exit is either left or right hand, ensure correct configuration when ordering.



FEATURING Rimless Technology

- EASY CLEAN** - Nowhere for germs to hide.
- AESTHETICS** - Simplistic look.
- EFFICIENT** - A complete rim flush for effective cleaning.



- Water Saving Tech 
- Rimless Tech 

Farringdon Range



Pictured with Staverton Tube on Tube page 530

The Farringdon range features soft curves and sweeping edges, perfect for any modern day bathroom. The versatile range includes a comfort height, rimless pan.

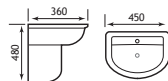
FEATURES

- Rimless Technology
- Top fix seat
- Soft close seat lifts off for easy cleaning
- Short projection
- Cloakroom basin or full pedestal
- Entire range is comfort height seating level

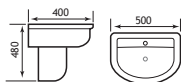
FARRINGDON BASINS



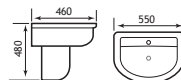
Farringdon/Northall 450MM 1TH Basin			
Description	Code	£ Ex VAT	£ Inc VAT
Farringdon/Northall 450mm 1TH basin	26.0064	73.00	87.60
Farringdon/Northall Semi ped	26.0065	62.00	74.40



Farringdon/Northall 500MM 1TH Basin			
Description	Code	£ Ex VAT	£ Inc VAT
Farringdon/Northall 500mm 1TH basin	26.0066	96.00	115.20
Farringdon/Northall Semi ped	26.0065	62.00	74.40



Farringdon/Northall 550MM 1TH Basin			
Description	Code	£ Ex VAT	£ Inc VAT
Farringdon/Northall 550mm 1TH basin	26.0062	102.00	122.40
Farringdon/Northall Semi ped	26.0065	62.00	74.40



FEATURING Rimless Technology



Rimless Tech

Water Saving Tech

EASY CLEAN
Nowhere for germs to hide.

AESTHETICS
Simplistic look.

EFFICIENT
A complete rim flush for effective cleaning.

Farringdon Range

FARRINGDON CC PAN



*Soil can be turned left or right at the back of the pan

Rimless Tech

Soft Close Seat

Description	Code	£ Ex VAT	£ Inc VAT
Farringdon CC Pan*	26.0059	212.00	254.40
Farringdon Rimless CC Pan	26.0080	212.00	254.40
Farringdon Cistern	26.0061	99.00	118.80
Northall/Farringdon Wrap Over Soft Close Seat	26.0056	74.00	88.80
Jollytronic universal bottom entry cistern fitting	7.0000	135.00	162.00

FARRINGDON WALL HUNG PAN



Rimless Tech

Soft Close Seat

Description	Code	£ Ex VAT	£ Inc VAT
Farringdon Rimless Wall Hung Pan*	26.0081	223.00	267.60
Farringdon/Cheltenham Seat	50.008	129.00	154.80

FARRINGDON BTW CC PAN



Rimless Tech

Soft Close Seat

Description	Code	£ Ex VAT	£ Inc VAT
Farringdon BTW CC Pan	26.0057	212.00	254.40
Farringdon Rimless BTW CC Pan	26.0078	223.00	267.60
Farringdon Cistern	26.0061	99.00	118.80
Northall/Farringdon Wrap Over Soft Close Seat	26.0056	74.00	88.80
Jollytronic universal bottom entry cistern fitting	7.0000	135.00	162.00

FARRINGDON BTW PAN



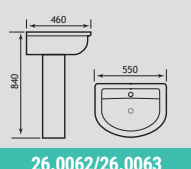
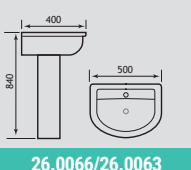
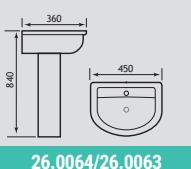
Rimless Tech

Soft Close Seat

Description	Code	£ Ex VAT	£ Inc VAT
Farringdon BTW pan	26.0058	212.00	254.40
Farringdon Rimless BTW Pan	26.0079	212.00	254.40
Farringdon/Cheltenham Seat	50.008	129.00	154.80
Flexible WC Connector for BTW Pans	2.009	40.00	48.00

*Can be fitted with a 26.0042 soft close seat as an alternative, see page 274.

FARRINGDON BASINS



Farringdon/Northall 450MM 1TH Basin			
Description	Code	£ Ex VAT	£ Inc VAT
Farringdon 450mm 1TH basin	26.0064	73.00	87.60
Farringdon Pedestal	26.0063	66.00	79.20

Farringdon/Northall 500MM 1TH Basin			
Description	Code	£ Ex VAT	£ Inc VAT
Farringdon 500mm 1TH basin	26.0066	96.00	115.20
Farringdon Pedestal	26.0063	66.00	79.20

Farringdon/Northall 550MM 1TH Basin			
Description	Code	£ Ex VAT	£ Inc VAT
Farringdon/Northall 550mm 1TH basin	26.0062	102.00	122.40

Kenley Range



The Kenley range features soft curves and clean vertical sides, perfect for any modern day bathroom. The versatile range includes a comfort height and rimless pan.

FEATURES

- Rimless Technology
- Top fix seat
- Soft close seat lifts off for easy cleaning
- Short projection
- Cloakroom basin or full pedestal
- Entire range is comfort height seating level

FEATURING

Rimless Technology

EASY CLEAN
Nowhere for germs to hide.

AESTHETICS
Simplistic look.

EFFICIENT
A complete rim flush for effective cleaning.

Kenley Range

KENLEY 500 BASIN & PEDESTAL



Description	Code	£ Ex VAT	£ Inc VAT
Kenley 500mm basin 1TH	26.0172	92.00	110.40
Kenley Semi ped	26.0174	47.00	56.40
Kenley Pedestal	26.0173	52.00	62.40

KENLEY 550 BASIN & PEDESTAL



Description	Code	£ Ex VAT	£ Inc VAT
Kenley 550mm basin 1TH	26.0171	102.00	122.40
Kenley Semi ped	26.0174	47.00	56.40
Kenley Pedestal	26.0173	52.00	62.40

KENLEY BTW CC PAN



Description	Code	£ Ex VAT	£ Inc VAT
Kenley BTW CC Pan	26.0163	181.00	217.20
Kenley BTW CC Rimless Pan	26.0164	192.00	230.40
Kenley Cistern	26.0167	92.00	110.40
Kenley Soft Close Seat	26.0170	73.00	87.60

KENLEY CC COMFORT HEIGHT PAN



Description	Code	£ Ex VAT	£ Inc VAT
Kenley Comfort Height CC Pan	26.0165	197.00	236.40
Kenley Comfort Height Rimless CC Pan	26.0166	212.00	254.40
Kenley Soft Close Seat	26.0170	73.00	87.60
Kenley Cistern	26.0167	92.00	110.40

KENLEY BTW PAN



Description	Code	£ Ex VAT	£ Inc VAT
Kenley BTW Pan	26.0168	137.00	164.40
Kenley Rimless BTW Pan	26.0169	148.00	177.60
Kenley Soft Close Seat	26.0170	73.00	87.60

KENLEY BTW COMFORT HEIGHT



Description	Code	£ Ex VAT	£ Inc VAT
Kenley Comfort Height BTW Pan	26.0175	201.00	241.20
Kenley Comfort Height BTW Rimless Pan	26.0176	212.00	254.40
Kenley Soft Close Seat	26.0170	73.00	87.60

Kompact Range



Where space is a major concern, Kompact comes into its own. The WC pan and cistern project just 610mm.

Kompact WC

Description	Code	£ Ex VAT	£ Inc VAT
Kompact WC pan	27.0301	212.00	254.40
Kompact cistern inc fittings	27.0331	115.00	138.00
Temptation/Kompact seat	21.1141	73.00	87.60
Temptation/Kompact soft close seat	21.1151	151.00	181.20
Jollytronic universal bottom entry cistern fitting**	7.0000	135.00	162.00

Soil can be turned left or right at back of pan.
 **For more information see page 201.

FEATURES

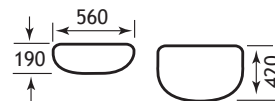
- Soft close seat, lifts off for easy cleaning
- Soil can be turned left or right

KOMPACT 550 BASIN



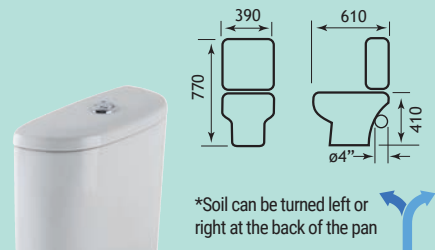
Kompact Basins

Description	Code	£ Ex VAT	£ Inc VAT
Kompact 550mm basin 1TH	27.0341	124.00	148.80
Kompact/Temptation pedestal	27.0461	30.00	36.00



KOMPACT IN A BOX

'Kompact in a box' includes everything you need for the WC:



- * Kompact pan
 - * Kompact cistern complete with fittings and push button
 - * Soft close white seat
- Simply bolt together
 Nothing could be easier



Kompact			
Description	Code	£ Ex VAT	£ Inc VAT
Kompact in a box	99.016	414.00	496.80

Extras

Description	Code	£ Ex VAT	£ Inc VAT
Treviso 500x700mm Blue LED Portrait Mirror	40.1003	246.00	295.20
Hooper mono basin c/w clicker waste	56.2045	138.00	165.60

Kompact Range



KOMPACT BASIN

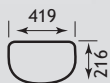
Can be fitted on a full pedestal.



Kompact Basin

Description	Code	£ Ex VAT	£ Inc VAT
Kompact Basin 457mm 1TH	27.0401	87.00	104.40
Kompact/Temptation pedestal	27.0461	30.00	36.00

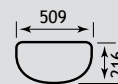
KOMPACT CLOAKROOM BASIN



Kompact Cloakroom Basin

Description	Code	£ Ex VAT	£ Inc VAT
Kompact cloakroom basin	27.0381	68.00	81.60
419 x 216 1TH			

KOMPACT CLOAKROOM BASIN



Kompact Cloakroom Basin

Description	Code	£ Ex VAT	£ Inc VAT
Cloakroom basin	27.0391	73.00	87.60
509 x 216 1TH			

Kompact Range

KOMPACT



Pictured with Salerno range accessories. See pages 212-213

Soft Close Seat

Where space is a major concern, Kompact comes into its own. The WC pan and cistern project just 610mm, the corner cistern and pan project 805mm. The corner cistern and neat basins make the range extremely versatile in confined areas such as cloakrooms and en-suites..

FEATURES

- Soft close seat, lifts off for easy cleaning
- Soil can be turned left or right
- Top fix seat

KOMPACT CORNER BASIN

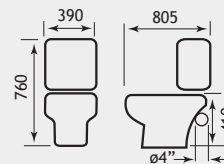


Description	Code	£ Ex VAT	£ Inc VAT
Corner cloakroom basin 1TH	27.0371	103.00	123.60

KOMPACT WC



*Soil can be turned left or right at the back of the pan



27.0301 & 27.0311

Kompact WC

Description	Code	£ Ex VAT	£ Inc VAT
Kompact WC pan	27.0301	212.00	254.40
Kompact corner cistern inc fittings	27.0311	160.00	192.00
Temptation/Kompact seat White	21.1141	73.00	87.60
Temptation/Kompact soft close seat White	21.1151	151.00	181.20
Jollytronic universal bottom entry cistern fitting*	7.0000	135.00	162.00

Soil can be turned left or right at back of pan.
**For more information see page 201.

Kompact Range



Pictured with Oslo Slimline, see P295 for full range.

Soft Close Seat

KOMPACT BTW



27.0321 & 21.1141

Kompact BTW			
Description	Code	£ Ex VAT	£ Inc VAT
Kompact BTW pan	27.0321	170.00	204.00
Temptation/Kompact seat White	21.1141	73.00	87.60
Temptation/Kompact soft close seat White	21.1151	151.00	181.20

BTW Pan extras

Description	Code	£ Ex VAT	£ Inc VAT
Vantage plain hidden cistern CP push button	17.001	180.00	216.00
Vantage Hidden Cistern with Jacket	17.3029	207.00	248.40
Eastbrook jacket hidden cistern - bottom inlet	53.001	112.00	134.40
Flexible WC Connector for BTW Pans	2.009	40.00	48.00

*Pan connector 2.009 is recommended for use with our BTW pans.

FEATURES - VANTAGE CISTERN

- WRAS approved flushing components
- Delay fill inlet valve - no water waste

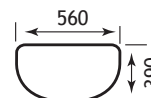
KOMPACT SEMI RECESSED BASIN



27.0361

Kompact Semi Recessed Basin			
Description	Code	£ Ex VAT	£ Inc VAT
Kompact reduced depth SR basin 1TH	27.0361	120.00	144.00
Kompact reduced depth SR basin 2TH	27.9361	120.00	144.00

Cut out 215mm

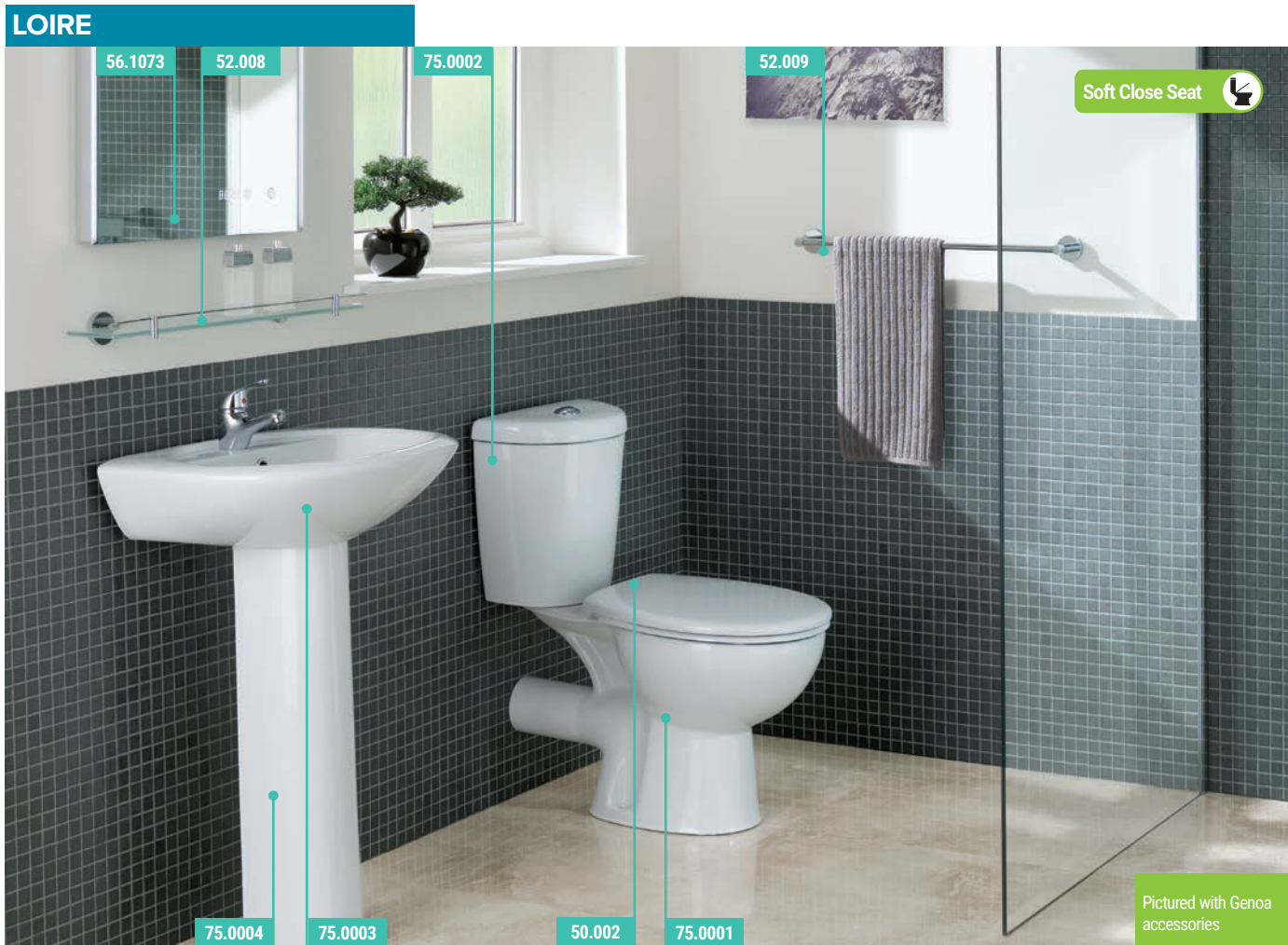


27.0361/27.9361

Oslo Semi Recessed Slimline Furniture

Description	Code	£ Ex VAT	£ Inc VAT
Oslo Slimline Basin Unit	1.051	295.00	354.00
Oslo 50 WC unit only	1.287	326.00	391.20
Oslo WC unit plinth	1.288	18.00	21.60
Laminate Tops Gloss 1200 x 310mm	28.009	84.00	100.80
Bonito 60cm plinth	1.037	22.00	26.40

Loire Range



Loire personifies modern French design and blends beautifully into most modern and contemporary bathroom settings. Its slender, smooth curves emphasise the style and panache of this well-priced suite.

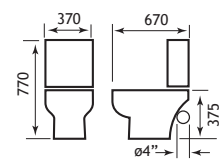
FEATURES

- Soft close seat, lifts off for easy cleaning
- Soil can be turned left or right

LOIRE WC

Description	Code	£ Ex VAT	£ Inc VAT
Loire close coupled WC pan	75.0001	101.00	121.20
Loire/Anjou close coupled cistern inc fittings	75.0002	80.00	96.00
Loire/Arkitekt deluxe seat	50.001	50.00	60.00
Loire soft close seat	50.002	132.00	158.40
Loire Seat & Cover	40.0002	32.00	38.40
Rhone soft close seat	40.0001	84.00	100.80
Jollytronic universal bottom entry cistern fitting	7.0000	135.00	162.00

*See rear of Sanitaryware section for Jollytronic.



*Soil can be turned left or right at the back of the pan

LOIRE IN A BOX

Simply bolt together.



Includes:

- * Loire pan
- * Loire cistern complete with fittings and push button
- * Standard white seat

Description	Code	£ Ex VAT	£ Inc VAT
Loire in a box	99.017	198.00	237.60

Loire Range

LOIRE BASINS



75.0003

Loire 535 Basins

Description	Code	£ Ex VAT	£ Inc VAT
Loire 535 basin 1TH	75.0003	59.00	70.80
Loire 535 basin 2TH	75.0014	59.00	70.80
Loire Semi Ped for 75.0003 & 75.0014	75.0025	39.00	46.80
Loire pedestal	75.0004	41.00	49.20

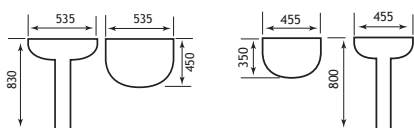
Loire 450 Basins

Description	Code	£ Ex VAT	£ Inc VAT
Loire 450 basin 1TH	75.0005	59.00	70.80
Loire 450 basin 2TH	75.0015	59.00	70.80
Loire pedestal	75.0004	41.00	49.20
Jollytronic Universal Bottom Entry Cistern Fitting*	7.0000	135.00	162.00

*See rear of Sanitaryware section for Jollytronic.

Extras

Description	Code	£ Ex VAT	£ Inc VAT
Genoa single towel rail	52.009	44.00	52.80
Genoa glass shelf with barrier	52.008	41.00	49.20
Langton 500x700 mirror	56.1073	248.00	297.60



75.0004 & 75.0013/14

75.0004 & 75.0005/15



52.008

75.0003

LOIRE CLOAKROOM 450 BASIN



75.0009 & 75.0019

LOIRE CLOAKROOM 450 BASINS

Description	Code	£ Ex VAT	£ Inc VAT
Loire 450 x 275 cloakroom basin 1TH RH	75.0009	61.00	73.20
Loire 450 x 275 cloakroom basin 2TH	75.0019	61.00	73.20

LOIRE CLOAKROOM 350 BASIN



75.0008 & 75.0018

LOIRE CLOAKROOM 350 BASINS

Description	Code	£ Ex VAT	£ Inc VAT
Loire 350 x 250 cloakroom basin 1TH RH	75.0008	59.00	70.80
Loire 350 x 250 cloakroom basin 2TH	75.0018	59.00	70.80

Loire Range

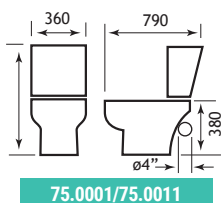


Loire personifies modern French design and blends beautifully into most modern and contemporary bathroom settings. Its slender, smooth curves emphasise the style and panache of this well-priced suite.

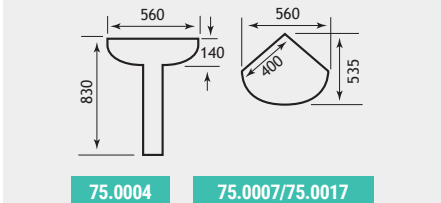
FEATURES

- WRAS approved flushing components
- Eco lower flush volume of 5/3 litres
- Delay fill inlet valve - no water waste

Loire WC			
Description	Code	£ Ex VAT	£ Inc VAT
Loire Close Coupled WC pan	75.0001	101.00	121.20
Loire Corner Cistern inc fittings	75.0011	107.00	128.40
Rhone Soft Close Seat	40.0001	84.00	100.80
Loire Seat & Cover	40.0002	32.00	38.40
Loire/Arkitekt Deluxe Seat	50.001	50.00	60.00
Loire Soft Close Seat	50.002	132.00	158.40
Jollytronic universal bottom entry cistern fitting	7.0000	135.00	162.00



Loire WC			
Description	Code	£ Ex VAT	£ Inc VAT
Loire 400 Corner Basin 1TH	75.0007	82.00	98.40
Loire 400 Corner Basin 2TH	75.0017	82.00	98.40
Loire Pedestal	75.0004	41.00	49.20



Loire Range



The furniture illustrated is the Oslo semi-recessed range - see pages 294-295.

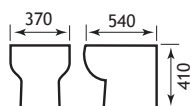
LOIRE BTW

LOIRE BTW PAN

Description	Code	£ Ex VAT	£ Inc VAT
Loire BTW WC pan & Fixing Bolts	75.0010	143.00	171.60
Loire Seat & Cover	40.0002	32.00	38.40
Loire/Arkitekt deluxe seat	50.001	50.00	60.00
Loire Soft Close Seat	50.002	132.00	158.40
Rhone Soft Close Seat	40.0001	84.00	100.80

FEATURES

- WRAS approved flushing components
- Eco lower flush volume of 5/3 litres
- Delay fill inlet valve - no water waste

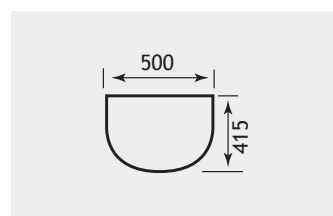


75.0010

LOIRE SEMI RECESSED BASINS

LOIRE SEMI RECESSED BASINS

Description	Code	£ Ex VAT	£ Inc VAT
Loire Semi-Recessed Casin 1TH	75.0006	107.00	128.40



75.0006 / 75.0016

Cut out 260mm

BTW PAN EXTRAS

Description	Code	£ Ex VAT	£ Inc VAT
Vantage plain hidden cistern CP push button	17.001	180.00	216.00
Vantage Hidden Cistern with Jacket	17.3029	207.00	248.40
Eastbrook jacket hidden cistern - bottom inlet	53.001	112.00	134.40
Flexible WC Connector for BTW Pans*	2.009	40.00	48.00

*Pan connector 2.009 is recommended for use with our BTW pans.

OSLO SEMI-RECESSED FURNITURE

Description	Code	£ Ex VAT	£ Inc VAT
Oslo 60cm WC Unit	1.052	326.00	391.20
Oslo 60cm Basin Unit	1.053	295.00	354.00
Laminate Tops Gloss 1500 x 310 mm	28.007	84.00	100.80
Bonito 60cm plinth	1.037	22.00	26.40

Metro Range

METRO SHORT PROJECTION WC & BASIN



A new take and continuation our of Metro range. It's simple yet striking design is characterised by a series of curves and straight lines, appealing to anyone who likes the minimalist look.

FEATURES

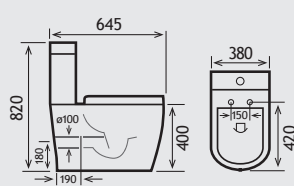
- Space saving
- 2 in 1 combination
- Water saving
- Hot & cold feed
- Tap included

METRO SHORT PROJECTION CISTERN WITH BASIN

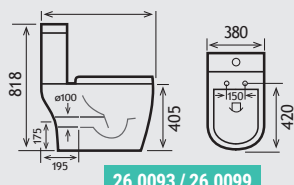
Description	Code	£ Ex VAT	£ Inc VAT
Metro short projection cistern & tap	26.0102	207.00	248.40
Metro short projection CC Pan	26.0093	226.00	271.20
Metro short projection rimless CC Pan	26.0099	237.00	284.40
Metro short projection CC BTW Pan	26.0092	241.00	289.20
Metro short projection rimless CC BTW Pan	26.0098	251.00	301.20
Metro short projection soft close seat	26.0105	77.00	92.40
Metro short projection cistern	26.0094	99.00	118.80

OLSO FURNITURE

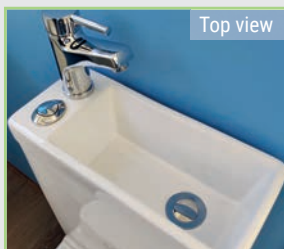
Description	Code	£ Ex VAT	£ Inc VAT
Oslo 60cm slimline basin unit	1.053	295.00	354.00
Bonito 60cm plinth White	1.037	22.00	26.40
Laminate Top Gloss 1000 x 310 mm	28.006	73.00	87.60



26.0092 / 26.0098



26.0093 / 26.0099



Top view

Water Saving Tech

*Soil can be turned left or right at the back of the pan



Metro Range

METRO SEMI RECESSED SLIM RIM BASIN

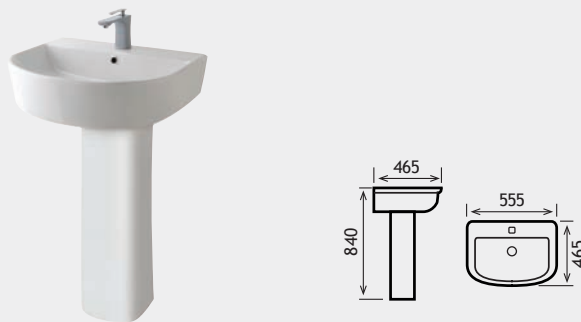


Cut out 260mm

METRO SLIM RIM SEMI RECESSED BASIN

Description	Code	£ Ex VAT	£ Inc VAT
Metro slim rim semi recessed basin	26.0097	119.00	142.80

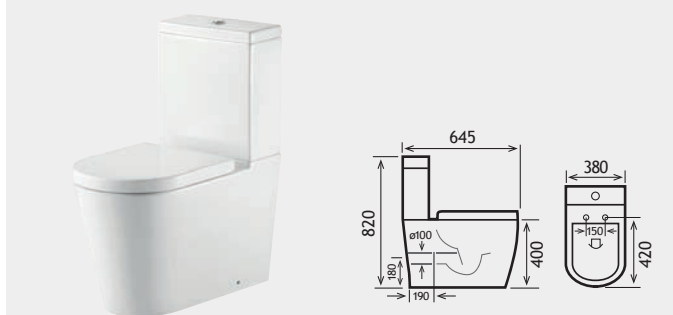
METRO SLIM RIM BASIN



METRO SLIM RIM BASIN

Description	Code	£ Ex VAT	£ Inc VAT
Metro slim rim basin	26.0095	113.00	135.60
Metro slim rim pedestal	26.0096	60.00	72.00

METRO CC BTW PAN RANGE



METRO SHORT PROJECTION CC BTW PAN

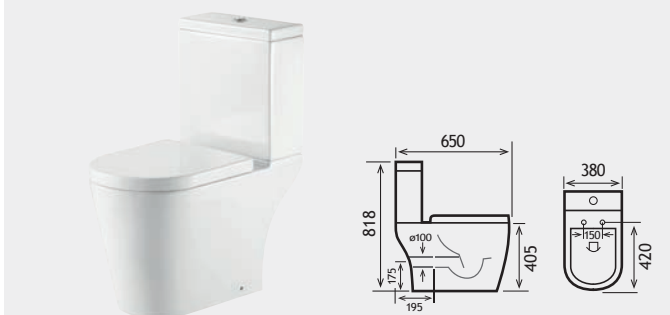
Description	Code	£ Ex VAT	£ Inc VAT
Metro short projection CC BTW Pan	26.0092	241.00	289.20
Metro short projection cistern	26.0094	99.00	118.80
Metro short projection soft close seat	26.0105	77.00	92.40
Jollytronic universal bottom entry cistern fitting	7.0000	135.00	162.00

METRO SHORT PROJECTION RIMLESS CC BTW PAN

Description	Code	£ Ex VAT	£ Inc VAT
Metro short projection rimless CC BTW Pan	26.0098	251.00	301.20
Metro short projection cistern	26.0094	99.00	118.80
Metro short projection soft close seat	26.0105	77.00	92.40
Jollytronic universal bottom entry cistern fitting	7.0000	135.00	162.00

*For more information see page 201.

METRO CC PAN RANGE



METRO SHORT PROJECTION CC PAN

Description	Code	£ Ex VAT	£ Inc VAT
Metro short projection CC Pan	26.0093	226.00	271.20
Metro short projection cistern	26.0094	99.00	118.80
Metro short projection soft close seat	26.0105	77.00	92.40
Jollytronic universal bottom entry cistern fitting	7.0000	135.00	162.00

METRO SHORT PROJECTION RIMLESS CC PAN

Description	Code	£ Ex VAT	£ Inc VAT
Metro short projection rimless CC Pan	26.0099	237.00	284.40
Metro short projection cistern	26.0094	99.00	118.80
Metro short projection soft close seat	26.0105	77.00	92.40

METRO HIGH LEVEL CC BTW PAN



METRO HIGH LEVEL CC BTW PAN

Description	Code	£ Ex VAT	£ Inc VAT
Metro short projection high level CC BTW Pan	26.0101	275.00	330.00
Metro short projection cistern	26.0094	99.00	118.80
Metro short projection soft close seat	26.0105	77.00	92.40

METRO HIGH LEVEL RIMLESS CC BTW PAN

Description	Code	£ Ex VAT	£ Inc VAT
Metro short projection Rimless high level CC BTW Pan	26.0100	286.00	343.20
Metro short projection cistern	26.0094	99.00	118.80
Metro short projection soft close seat	26.0105	77.00	92.40

THIS METRO RANGE FEATURES RIMLESS TECHNOLOGY



EASY CLEAN - Nowhere for germs to hide.
AESTHETICS - Simplistic look.
EFFICIENT - A complete rim flush for effective cleaning.

Minima Range

MINIMA



Minima			
Description	Code	£ Ex VAT	£ Inc VAT
Minima pan & soft close seat*†	56.0018	288.00	345.60
Minima cistern inc fittings†	56.0020	86.00	103.20
Minima soft close seat†	56.0019	81.00	97.20
Minima basin 1TH†	56.0016	85.00	102.00
Minima pedestal†	56.0017	58.00	69.60
Minima semi-pedestal for 56.0016†	56.0067	61.00	73.20
Minima BTW pan c/w soft close seat†	56.0068	281.00	337.20
Minima BTW soft close seat†	56.0069	96.00	115.20
Minima semi-recessed reduced depth basin 1TH	56.0066	96.00	115.20
Jollytronic universal bottom entry cistern fitting	7.0000	135.00	162.00

Soil can be turned left or right on close coupled pan.
 See rear of Sanitaryware section for Jollytronic. **While Stocks Last†

BTW Pan Extras			
Description	Code	£ Ex VAT	£ Inc VAT
Vantage plain hidden cistern CP push button	17.001	180.00	216.00
Vantage Hidden Cistern with Jacket	17.3029	207.00	248.40
Eastbrook jacket hidden cistern - bottom inlet	53.001	112.00	134.40
Flexible WC Connector for BTW Pans*	2.009	40.00	48.00

*Pan connector 2.009 is recommended for use with our BTW pans.

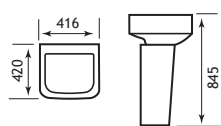
Aimed at the bathroom, cloakroom or ensuite where space is at a premium, the Minima manages to combine style with space-saving qualities.

FEATURES

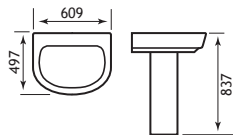
- Soft close seat
- BTW Soft close seat lifts off for easy cleaning
- Top fix seat
- Small minimalistic basin
- Basin fits with full or semi pedestal
- Soil can be turned left or right on close coupled pan

FEATURES - VANTAGE CISTERN

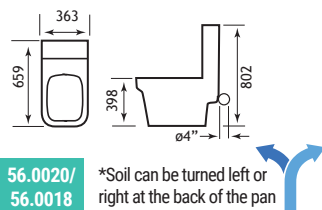
- WRAS approved flushing components
- Delay fill inlet valve - no water waste



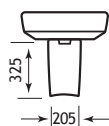
56.0016/56.0017



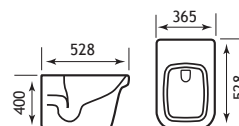
56.0026



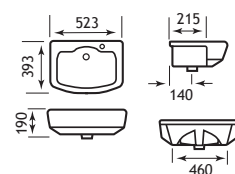
56.0020/
56.0018



56.0067



56.0068



56.0066

Cut out 215mm

Mentmore Range

MENTMORE



Soft Close Seat



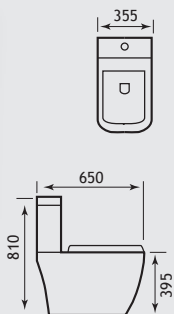
A modern design with stylish angled shapes create a beautiful contemporary bathroom

FEATURES

- Soft close seat

MENTMORE WC

Soft Close Seat



26.0038

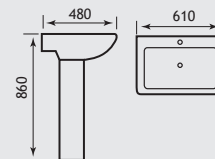
26.0036

26.0037

Mentmore WC

Description	Code	£ Ex VAT	£ Inc VAT
Mentmore WC Pan White	26.0036	258.00	309.60
Mentmore Cistern inc Fittings White	26.0037	113.00	135.60
Mentmore Soft Close Seat White	26.0038	88.00	105.60

MENTMORE BASIN



26.0034

26.0035

Mentmore Basin

Description	Code	£ Ex VAT	£ Inc VAT
Mentmore Basin 1TH White	26.0034	123.00	147.60
Mentmore Pedestal White	26.0035	66.00	79.20

MODERN WATER SAVING OPTION JOLLYTRONIC ECO FLUSH

Description	Code	£ Ex VAT	£ Inc VAT
Jollytronic universal bottom entry cistern fitting	7.0000	135.00	162.00

*See rear of Sanitaryware section for Jollytronic.



Northall Range

NORTHALL PANS

A contemporary rimless pan in both close coupled and back to wall to suit a wide range of installations.

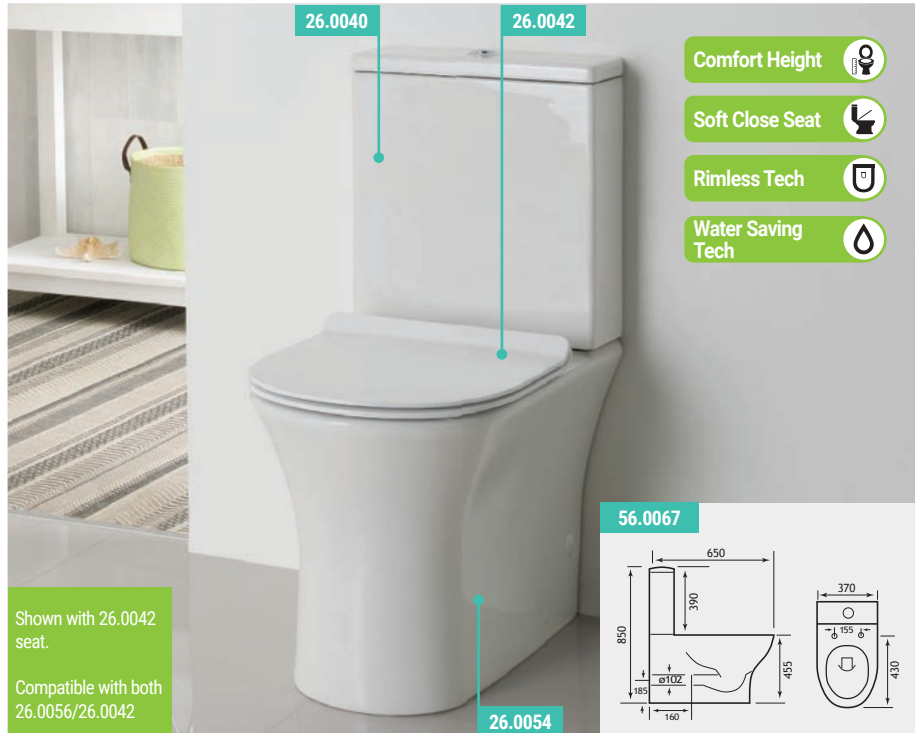
FEATURES

- Quick release soft close seat
- Rimless technology
- Top fix seat
- 2 styles of seat available

Northall Comfort Height BTW CC Pan

Description	Code	£ Ex VAT	£ Inc VAT
Northall Comfort Height BTW CC Rimless Pan*	26.0054	260.00	312.00
Northall Cistern inc Fittings	26.0040	126.00	151.20
Northall Soft Close Seat	26.0042	97.00	116.40
Northall/Farringdon Wrap Over Soft Close Seat	26.0056	74.00	88.80
Jollytronic universal bottom entry cistern fitting	7.0000	135.00	162.00

*Compatible with both 26.0042 & 26.0056



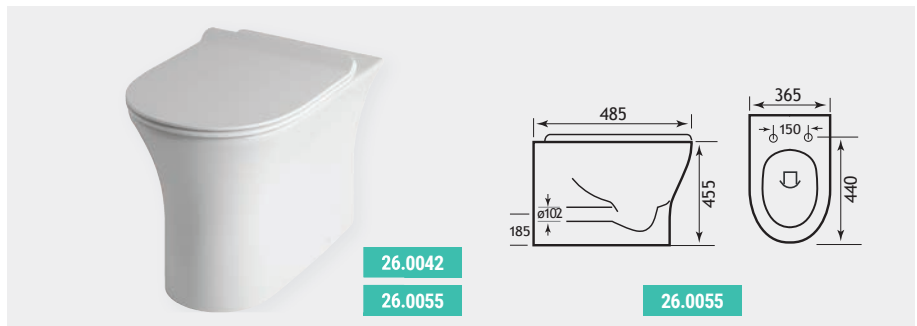
Shown with 26.0042 seat.

Compatible with both 26.0056/26.0042

Northall Comfort Height BTW

Description	Code	£ Ex VAT	£ Inc VAT
Northall Comfort Height BTW Rimless Pan*	26.0055	274.00	328.80
Northall Soft Close Seat	26.0042	97.00	116.40
Northall/Farringdon Wrap Over Soft Close Seat	26.0056	74.00	88.80

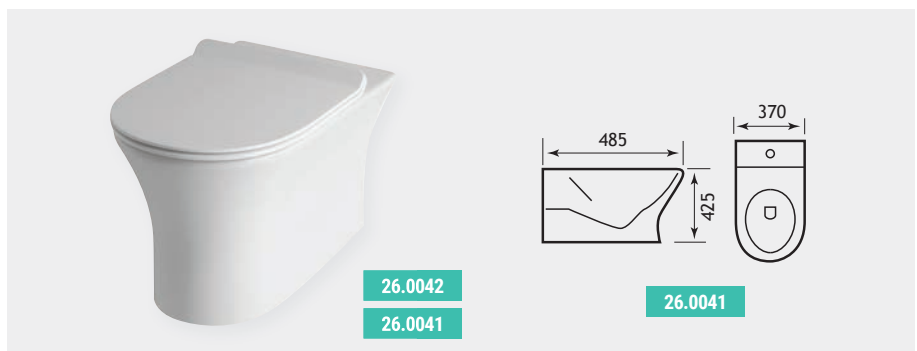
*Compatible with both 26.0042 & 26.0056.



Northall BTW Pan

Description	Code	£ Ex VAT	£ Inc VAT
Northall BTW Rimless Pan*	26.0041	273.00	327.60
Northall Soft Close Seat	26.0042	97.00	116.40
Northall/Farringdon Wrap Over Soft Close Seat	26.0056	74.00	88.80

*Compatible with both 26.0042 & 26.0056.



Northall Wall Hung Pan

Description	Code	£ Ex VAT	£ Inc VAT
Northall Wall Hung Rimless Pan*	26.0104	237.00	284.40
Northall Soft Close Seat	26.0042	97.00	116.40
Northall/Farringdon Wrap Over Soft Close Seat	26.0056	74.00	88.80

*Compatible with both 26.0042 & 26.0056.



Northall Range

FEATURING Rimless Technology



Rimless Tech



- EASY CLEAN** - Nowhere for germs to hide.
- AESTHETICS** - Simplistic look.
- EFFICIENT** - A complete rim flush for effective cleaning.

Northall CC BTW WC Pan

Description	Code	£ Ex VAT	£ Inc VAT
Northall BTW WC Pan*	26.0039	267.00	320.40
Northall Cistern inc Fittings	26.0040	126.00	151.20
Northall Soft Close Seat	26.0042	97.00	116.40
Northall/Farrington Wrap Over Soft Close Seat	26.0056	74.00	88.80
Jollytronic universal bottom entry cistern fitting	7.0000	135.00	162.00

*Compatible with both 26.0042 & 26.0056

NORTHALL CC BTW WC PAN

Rimless Tech



26.0040

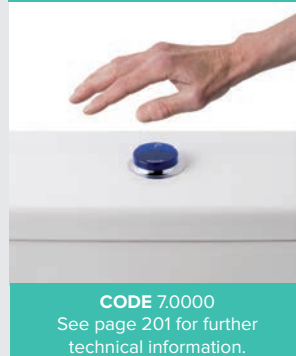
26.0056



Shown with 26.0056 seat.

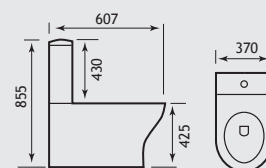
26.0039

Modern Water Saving Option Jollytronic Eco Flush



CODE 7.0000

See page 201 for further technical information.



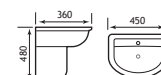
26.0039 / 26.0040

NORTHALL BASIN RANGE



Northall/Farrington 450mm 1TH Basin

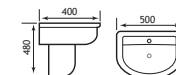
Description	Code	£ Ex VAT	£ Inc VAT
Farrington/Northall 450mm 1TH basin	26.0064	73.00	87.60
Farrington/Northall Semi ped	26.0065	62.00	74.40



26.0064/26.0065

Northall/Farrington 500mm 1TH Basin

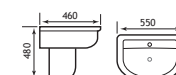
Description	Code	£ Ex VAT	£ Inc VAT
Farrington/Northall 500mm 1TH basin	26.0066	96.00	115.20
Farrington/Northall Semi ped	26.0065	62.00	74.40



26.0066/26.0065

Northall/Farrington 550mm 1TH Basin

Description	Code	£ Ex VAT	£ Inc VAT
Farrington/Northall 550mm 1TH basin	26.0062	102.00	122.40
Farrington/Northall Semi ped	26.0065	62.00	74.40

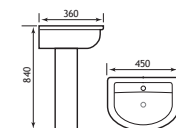


26.0062/26.0065



Northall/Farrington 450mm 1TH Basin

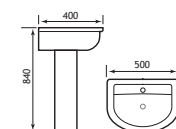
Description	Code	£ Ex VAT	£ Inc VAT
Farrington/Northall 450mm 1TH basin	26.0064	73.00	87.60
Farrington/ Northall Pedestal	26.0063	66.00	79.20



26.0064/26.0063

Northall/Farrington 500mm 1TH Basin

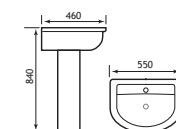
Description	Code	£ Ex VAT	£ Inc VAT
Farrington/Northall 500mm 1TH basin	26.0066	96.00	115.20
Farrington/ Northall Pedestal	26.0063	66.00	79.20



26.0066/26.0063

Northall/Farrington 550mm 1TH Basin

Description	Code	£ Ex VAT	£ Inc VAT
Farrington/Northall 550mm 1TH basin	26.0062	102.00	122.40
Farrington/ Northall Pedestal	26.0063	66.00	79.20



26.0062/26.0063

Tamarind Range

TAMARIND

REDUCED PRICE



Elegant and classic with a striking period design, the Tamarind range is the perfect complement for the more traditional home.

FEATURES

- Soft close seat, lifts off for easy cleaning
- Cistern inlet left or right
- Available as lever or push button flush
- Soil can be turned left or right at back of pan

Tamarind Corner Basin		WAS	NOW JUST	
Description	Code	£ Ex VAT	£ Ex VAT	£ Inc VAT
Tamarind Corner Basin White	26.0024	79.00	58.00	69.60

TAMARIND CORNER BASIN

26.0024



Tamarind Range

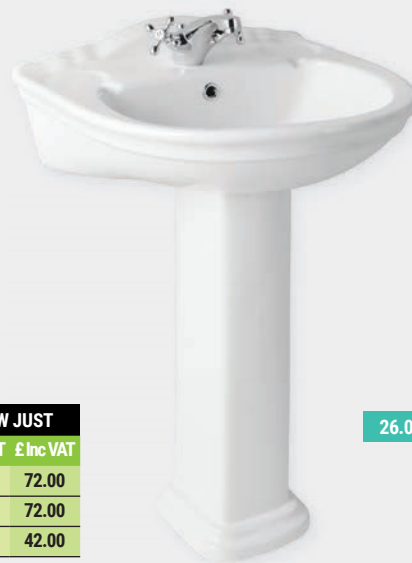
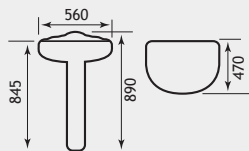


Seat for illustration purposes only.

TAMARIND BASIN

26.0019

REDUCED PRICE

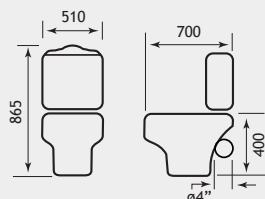


26.0021

Tamarind Corner Basin		WAS	NOW JUST	
Description	Code	£ Ex VAT	£ Ex VAT	£ Inc VAT
Tamarind 560 Basin 1TH	26.0019	81.00	60.00	72.00
Tamarind 560 Basin 2TH	26.0020	81.00	60.00	72.00
Tamarind Pedestal	26.0021	46.00	35.00	42.00

TAMARIND CLOSE COUPLED WC

26.0016/26.0017



REDUCED PRICE

*Soil can be turned left or right at the back of the pan



26.0016/26.0018

Tamarind Close Coupled WC		WAS	NOW JUST	
Description	Code	£ Ex VAT	£ Ex VAT	£ Inc VAT
Tamarind WC Pan	26.0016	136.00	97.00	116.40
Tamarind Cistern inc Lever Flush Fittings	26.0018	93.00	68.00	81.60
Tamarind Cistern inc Push Button Fittings	26.0017	82.00	60.00	72.00
Loire soft close seat	50.002	-	132.00	158.40
Jollytronic universal bottom entry cistern fitting**	7.0000	-	135.00	162.00

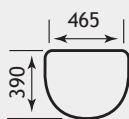
**Jollytronic cistern fitting will only fit 26.0017, for more information rear of Sanitaryware section. Sherwood/Diamante standard and soft close seats are also suitable for the Tamarind pan but cannot be fitted with lever cistern, seat rests on lever when in upright position.



TAMARIND BASIN

26.0022

REDUCED PRICE



26.0022

Tamarind Basin		WAS	NOW JUST	
Description	Code	£ Ex VAT	£ Ex VAT	£ Inc VAT
Tamarind Basin 465 1TH White	26.0022	62.00	44.00	52.80
Tamarind Basin 465 2TH White	26.0023	62.00	44.00	52.80



Temptation Range

TEMPTATION



From the minute that you set eyes on the stylish lines of this suite you will be tempted. The easy-to-clean lines of the WC suite and the elegant, sweeping style of the basin make the Temptation the perfect addition to any bathroom.

FEATURES

- Soft close seat, lifts off for easy cleaning
- Soil can be turned left or right
- Top fix seat

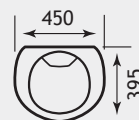
Temptation Wall Mounted Basin		WAS	NOW JUST	
Description	Code	£ Ex VAT	£ Ex VAT	£ Inc VAT
Temptation basin 450 1TH†	27.0721	68.00	46.00	55.20

Wall mounted only.

WHILE STOCKS LAST! †

TEMPTATION WALL MOUNTED BASIN

REDUCED PRICE



27.0721

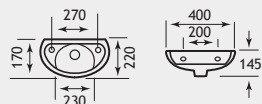


Temptation Range

TEMPTATION BASIN 400



REDUCED PRICE



27.9711

Temptation Basin		WAS	NOW JUST	
Description	Code	£ Ex VAT	£ Ex VAT	£ Inc VAT
Temptation basin 400 1TH†	27.0781	58.00	41.00	49.20
Temptation basin 400 2TH†	27.9711	58.00	41.00	49.20

Wall mounted only.

WHILE STOCKS LAST! †

TEMPTATION PAN



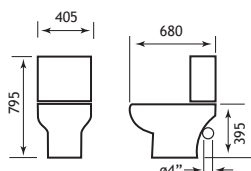
REDUCED PRICE

27.0431

Temptation WC		WAS	NOW JUST	
Description	Code	£ Ex VAT	£ Ex VAT	£ Inc VAT
Temptation pan†	27.0431	130.00	83.00	99.60
Temptation cistern inc fittings†	27.0441	78.00	51.00	61.20
Temptation/Kompact seat	21.1141	-	73.00	87.60
Temptation/Kompact soft close seat	21.1151	-	151.00	181.20
Jollytronic universal bottom entry cistern fitting*	7.0000	-	135.00	162.00

*For more information see page 277.

WHILE STOCKS LAST! †



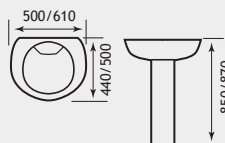
27.0431/27.0441

*Soil can be turned left or right at the back of the pan

TEMPTATION BASIN 500



REDUCED PRICE



27.0461/27.0731

Temptation Basin		WAS	NOW JUST	
Description	Code	£ Ex VAT	£ Ex VAT	£ Inc VAT
Temptation basin 500 1TH** †	27.0731	72.00	48.00	57.60
Temptation basin 610mm 1TH†	27.0521	81.00	53.00	63.60
Temptation pedestal (Fits both above) †	27.0461	37.00	30.00	36.00

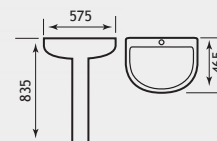
**Can be wall-hung or mounted on a pedestal.

WHILE STOCKS LAST! †

TEMPTATION BASIN 575



REDUCED PRICE



27.0451/27.0461

Temptation Basin		WAS	NOW JUST	
Description	Code	£ Ex VAT	£ Ex VAT	£ Inc VAT
Temptation basin 575mm 1TH†	27.0451	92.00	59.00	70.80
Kompact/Temptation pedestal†	27.0461	37.00	30.00	36.00

WHILE STOCKS LAST! †

Wingrave II Range

WINGRAVE II



Stylish and adaptable, Wingrave combines elegant straight lines with soft curves to stunning effect.

FEATURES

- Soft close seat, lifts off for easy cleaning
- Top fix seat



FEATURING

Rimless Technology

EASY CLEAN

Nowhere for germs to hide.

AESTHETICS

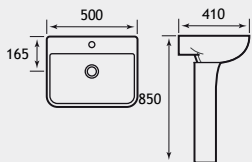
Simplistic look.

EFFICIENT

A complete rim flush for effective cleaning.

Wingrave II Range

WINGRAVE II BASIN



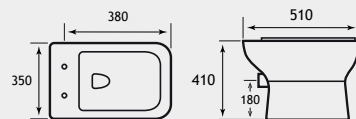
75.0031 75.0032

Wingrave II Basin			
Description	Code	£ Ex VAT	£ Inc VAT
Wingrave II 500 1TH basin	75.0031	61.00	73.20
Wingrave II pedestal	75.0032	33.00	39.60

Tap for illustration purposes only.

WINGRAVE II BTW PAN

Soft Close Seat 




75.0029 75.0033

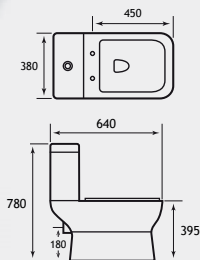
Wingrave II BTW Pan			
Description	Code	£ Ex VAT	£ Inc VAT
Wingrave II BTW pan	75.0029	171.00	205.20
Wingrave II soft close seat	75.0033	58.00	69.60

WINGRAVE II CC PAN

Soft Close Seat 



*Soil can be turned left or right at the back of the pan 



75.0026 75.0028


Wingrave II CC Pan			
Description	Code	£ Ex VAT	£ Inc VAT
Wingrave II CC pan	75.0026	119.00	142.80
Wingrave II cistern	75.0028	75.00	90.00
Wingrave II soft close seat	75.0033	58.00	69.60

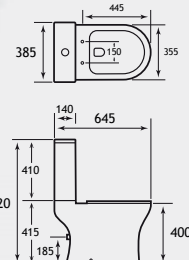
WINGRAVE II CC RIMLESS PAN

Soft Close Seat 

Rimless Tech 



*Soil can be turned left or right at the back of the pan 



75.0027 75.0028

Wingrave II CC Rimless Pan			
Description	Code	£ Ex VAT	£ Inc VAT
Wingrave II CC rimless pan	75.0027	145.00	174.00
Wingrave II cistern	75.0028	75.00	90.00
Wingrave II soft close seat	75.0033	58.00	69.60

Sit on Basins

RENATA - SIT ON BASIN 430



Renata sit on basin

Description	Code	£ Ex VAT	£ Inc VAT
Renata sit on basin 430 White**	51.029	182.00	218.40
Trap for external overflow kit	7.0015	24.00	28.80
Flip Top Basin Waste - Unslotted	25.0005	19.00	22.80

**NB Renata also requires a 7.0015 trap and unslotted chrome waste 25.0005.

FEATURES

- Made of 75% natural marble stone
- Repairable if chipped
- Seamless surface, easy to maintain



The Renata shown comes with overflow.

RONDO - SIT ON BASIN 412



Rondo basin on Castilla drawer unit see page 233.



51.032

Rondo

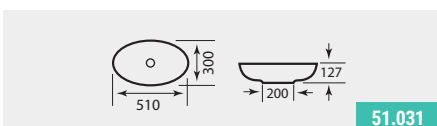
Description	Code	£ Ex VAT	£ Inc VAT
Rondo sit on basin 412 White	51.032	202.00	242.40
Flip top basin waste - unslotted Chrome	25.0005	19.00	22.80

PRICILLA - SIT ON BASIN 510



Pricilla sit on basin

Description	Code	£ Ex VAT	£ Inc VAT
Pricilla sit on basin 510x300 White	51.031	202.00	242.40



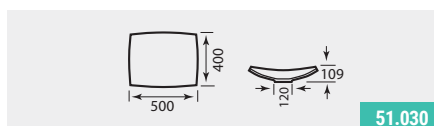
51.031

NATURA - SIT ON BASIN 500



Natura sit on basin

Description	Code	£ Ex VAT	£ Inc VAT
Natura sit on basin 500x400 White	51.030	202.00	242.40



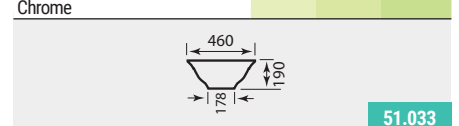
51.030

BARBRO - SIT ON BASIN 460



Barbro sit on basin

Description	Code	£ Ex VAT	£ Inc VAT
Barbro sit on basin 460 White	51.033	304.00	364.80
Flip top basin waste - unslotted Chrome	25.0005	19.00	22.80



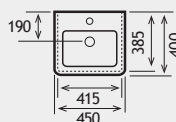
51.033

Cloakroom Basins

SORRENTO WALL HUNG BASINS



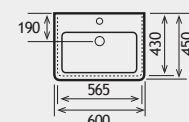
All Sorrento basins offer a flexible design option for numerous modern applications.



26.0088

Sorrento 45 (450mm x 397mm)

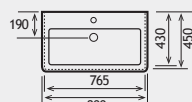
Description	Code	£ Ex VAT	£ Inc VAT
Sorrento 45cm Ceramic top	26.0088	108.00	129.60
Ceramic Top Basin Slotted Waste	45.0000	26.00	31.20



26.0089

Sorrento 60 (600mm x 445mm)

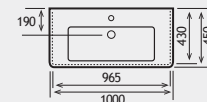
Description	Code	£ Ex VAT	£ Inc VAT
Sorrento 60cm Ceramic top	26.0089	138.00	165.60
Ceramic Top Basin Slotted Waste	45.0000	26.00	31.20



26.0090

Sorrento 80 (800mm x 445mm)

Description	Code	£ Ex VAT	£ Inc VAT
Sorrento 80cm ceramic top	26.0090	178.00	213.60
Ceramic Top Basin Slotted Waste	45.0000	26.00	31.20

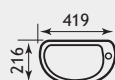


83.0020

Sorrento 100 (1000mm x 445mm)

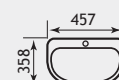
Description	Code	£ Ex VAT	£ Inc VAT
Sorrento 100cm Ceramic Top White	83.0020	192.00	230.40
Ceramic Top Basin Slotted Waste	45.0000	26.00	31.20

CLOAKROOM WALL HUNG BASINS



Kompact Cloakroom Basin

Description	Code	£ Ex VAT	£ Inc VAT
Kompact cloakroom basin 419x216 1TH RH White	27.0381	68.00	81.60



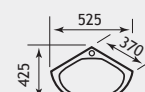
Kompact Basin

Description	Code	£ Ex VAT	£ Inc VAT
Kompact Basin 457mm 1TH White	27.0401	87.00	104.40



Kompact Cloakroom Basin

Description	Code	£ Ex VAT	£ Inc VAT
Kompact cloakroom basin 509x216 1TH RH	27.0391	73.00	87.60

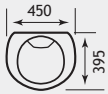


Tamarind Corner Basin

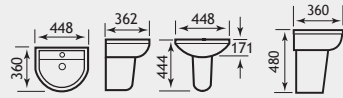
Description	Code	£ Ex VAT	£ Inc VAT
Tamarind Corner Basin White	26.0024	58.00	69.60

Cloakroom Basins

CLOAKROOM BASINS



Temptation			
Description	Code	£ Ex VAT	£ Inc VAT
Temptation basin 450 1TH	27.0721	46.00	55.20
Wall mounted only.			

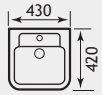


26.0005 26.0004/5 26.0004/26

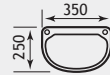


26.0026

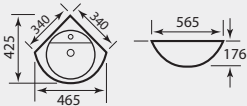
Dura			
Description	Code	£ Ex VAT	£ Inc VAT
Dura semi pedestal inc fixings	26.0004	50.00	60.00
Dura basin 450mm 1th inc fixings	26.0005	62.00	74.40
Dura basin 450mm 2TH inc Fixings	26.0026	68.00	81.60



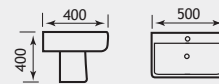
Andelle			
Description	Code	£ Ex VAT	£ Inc VAT
Andelle 430mm 1TH Basin	24.0010	63.00	75.60



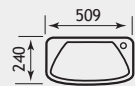
Loire 350 x 250 cloakroom basin			
Description	Code	£ Ex VAT	£ Inc VAT
Loire 350 x 250 cloakroom basin 1TH RH White	75.0008	59.00	70.80
Loire 350 x 250 cloakroom basin 2TH	75.0018	59.00	70.80



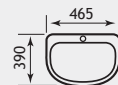
Dura Corner Basin			
Description	Code	£ Ex VAT	£ Inc VAT
460mm 1TH inc fixings	26.0013	68.00	81.60



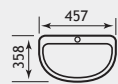
Crowthorne			
Description	Code	£ Ex VAT	£ Inc VAT
Crowthorne Semi Pedestal	26.0030	60.00	72.00
Crowthorne Basin 500mm 1TH	26.0029	119.00	142.80



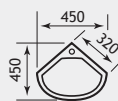
Cloakroom Basin			
Description	Code	£ Ex VAT	£ Inc VAT
Cloakroom basin 457x358 2TH	56.0052	96.00	115.20
Cloakroom basin 509x240 1TH	56.0053	96.00	115.20
Cloakroom basin 509x240 2TH	56.0054	93.00	111.60



Tamarind			
Description	Code	£ Ex VAT	£ Inc VAT
Tamarind Basin 465 1TH White	26.0022	44.00	52.80
Tamarind basin 465 2TH	26.0023	44.00	52.80



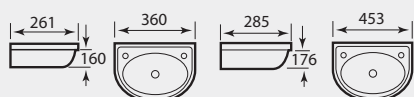
Cloakroom			
Description	Code	£ Ex VAT	£ Inc VAT
Cloakroom basin 457x358 1TH White	56.0051	96.00	115.20



Compact Corner			
Description	Code	£ Ex VAT	£ Inc VAT
Compact corner cloakroom basin 1TH	27.0371	103.00	123.60

Cloakroom Basins

CLOAKROOM BASINS



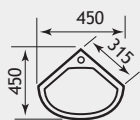
26.0011

26.0012



Dura Cloakroom Basin

Description	Code	£ Ex VAT	£ Inc VAT
Dura 450mm 2TH	26.0012	62.00	74.40
Dura 360mm 2TH	26.0011	55.00	66.00



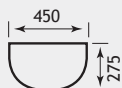
Corner basin

Description	Code	£ Ex VAT	£ Inc VAT
Corner basin 450mm 1TH White	56.0055	97.00	116.40



Cloakroom Basin

Description	Code	£ Ex VAT	£ Inc VAT
Cloakroom basin 419x216 2TH	56.0057	93.00	111.60



Loire 450 cloakroom basin 1TH RH

Description	Code	£ Ex VAT	£ Inc VAT
Loire 450 x 275 cloakroom basin 1TH RH	75.0009	61.00	73.20
Loire 450 x 275 cloakroom basin 2TH	75.0019	61.00	73.20

Inset Vanity Basins

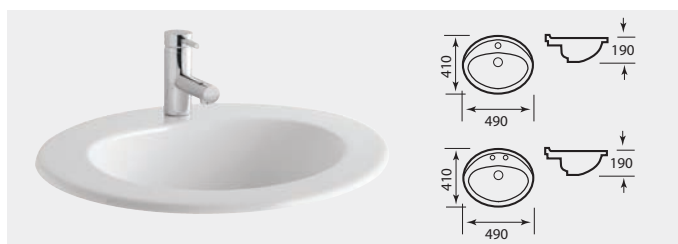
INSET VANITY BASINS



Pat Inset			
Description	Code	£ Ex VAT	£ Inc VAT
Pat inset basin 500x369 White	51.034	146.00	175.20



Osanna			
Description	Code	£ Ex VAT	£ Inc VAT
Osanna inset basin 500x370 White	51.028	146.00	175.20

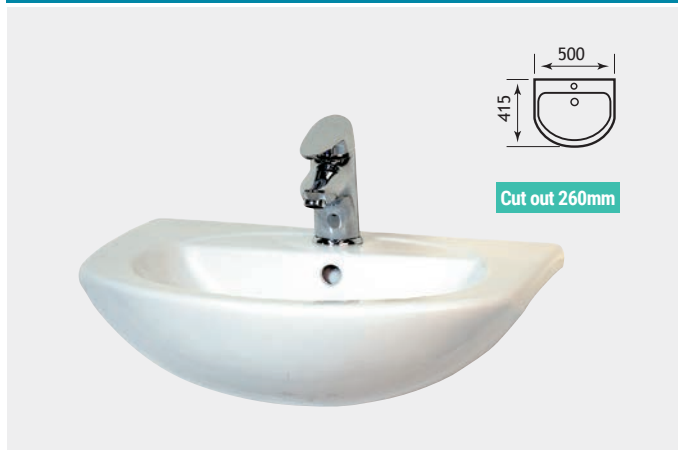


Inset Vanity Basin			
Description	Code	£ Ex VAT	£ Inc VAT
Inset Vanity basin 1TH White	26.0052	97.00	116.40
Inset vanity basin 2TH White*	26.0053	97.00	116.40

*No chain stay



SEMI-RECESSED VANITY BASINS

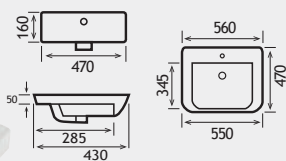


Loire			
Description	Code	£ Ex VAT	£ Inc VAT
Loire Semi-Recessed basin 1TH White	75.0006	107.00	128.40



Semi-Recessed Basins

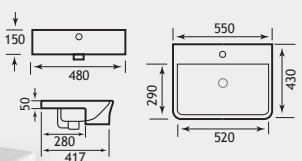
SEMI-RECESSED VANITY BASINS



Cut out 260mm

Metro Slim Rim

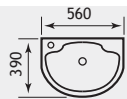
Description	Code	£ Ex VAT	£ Inc VAT
Metro slim rim semi recessed basin	26.0097	119.00	142.80



Cut out 280mm

Bijou

Description	Code	£ Ex VAT	£ Inc VAT
Bijou/Collindale Semi recessed basin White	26.0076	125.00	150.00



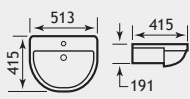
Cut out 215mm

Kompact

Description	Code	£ Ex VAT	£ Inc VAT
Kompact reduced depth SR basin 1TH LH White	27.0361	120.00	144.00
Kompact reduced depth SR basin 2TH White	27.9361	120.00	144.00



27.0361



Cut out 260mm

Dura

Description	Code	£ Ex VAT	£ Inc VAT
Dura semi recessed basin 1TH White	26.0009	75.00	90.00



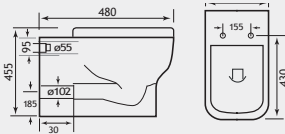
Back to Wall Pans

COLLINDALE

Comfort Height 

Soft Close Seat 

Rimless Tech 



Description	Code	£ Ex VAT	£ Inc VAT
Collindale Rimless Comfort Height BTW Pan	26.0068	253.00	303.60
Bijou/Collindale Soft close seat	26.0070	82.00	98.40
Flexible Connector for BTW Pans	2.009	40.00	48.00

COLLINDALE



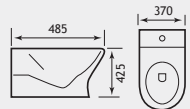
26.0068

NORTHALL

Comfort Height 

Soft Close Seat 

Rimless Tech 



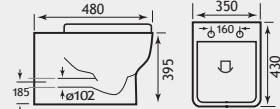
26.0041 / 26.0042

Description	Code	£ Ex VAT	£ Inc VAT
Northall BTW Pan	26.0041	273.00	327.60
Northall Soft Close Seat	26.0042	97.00	116.40
Northall High Level BTW	26.0055	274.00	328.80
Northall/Farringdon Wrap Over Soft Close Seat	26.0056	74.00	88.80

BIJOU

Soft Close Seat 

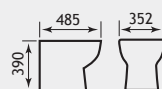
Rimless Tech 



Description	Code	£ Ex VAT	£ Inc VAT
Bijou BTW Pan White	26.0073	207.00	248.40
Bijou Rimless BTW Pan White	26.0084	207.00	248.40
Bijou/Collindale Soft close seat White	26.0070	82.00	98.40
Flexible Connector for BTW Pans	2.009	40.00	48.00

KOMPACT

Soft Close Seat 



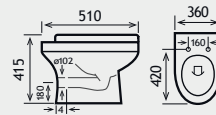
Description	Code	£ Ex VAT	£ Inc VAT
Kompact BTW pan**	27.0321	170.00	204.00
Temptation/Kompact seat	21.1141	73.00	87.60
Temptation/Kompact soft close seat	21.1151	151.00	181.20
Flexible Connector for BTW Pans	2.009	40.00	48.00

**Pan connector 2.009 is recommended for use with our BTW pan.

KENLEY

Soft Close Seat 

Rimless Tech 



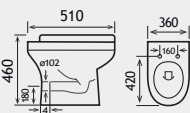
Description	Code	£ Ex VAT	£ Inc VAT
Kenley BTW Pan	26.0168	137.00	164.40
Kenley Rimless BTW Pan	26.0169	148.00	177.60
Kenley Soft Close Seat	26.0170	73.00	87.60

KENLEY COMFORT HEIGHT

Comfort Height 

Soft Close Seat 

Rimless Tech 



Description	Code	£ Ex VAT	£ Inc VAT
Kenley Comfort Height BTW Pan	26.0175	201.00	241.20
Kenley Rimless BTW Pan	26.0169	148.00	177.60
Kenley Soft Close Seat	26.0170	73.00	87.60

KENLEY COMFORT HEIGHT

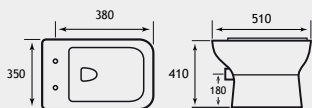


26.0175

Back to Wall Pans

WINGRAVE II

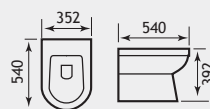
Soft Close Seat 



Wingrave II BTW Pan			
Description	Code	£ Ex VAT	£ Inc VAT
Wingrave II BTW pan	75.0029	171.00	205.20
Wingrave II soft close seat	75.0033	58.00	69.60

DURA

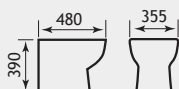
Soft Close Seat 



Description	Code	£ Ex VAT	£ Inc VAT
Dura BTW pan inc fixings	26.0008	119.00	142.80
Dura High Level BTW Pan	26.0047	195.00	234.00
Dura High Level BTW Rimless Pan	26.0133	215.00	258.00
Dura Deluxe Soft Close Seat	26.0015	73.00	87.60

ARKITECT

Soft Close Seat 



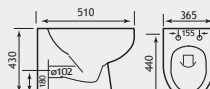
Description	Code	£ Ex VAT	£ Inc VAT
Arkitekt BTW WC pan	10.017	173.00	207.60
Loire/Arkitekt deluxe seat	50.001	50.00	60.00
Loire soft close seat	50.002	132.00	158.40
Flexible Connector for BTW Pans	2.009	40.00	48.00

**Pan connector 2.009 is recommended for use with our BTW pan.

FARRINGDON

Soft Close Seat 

Rimless Tech 



Description	Code	£ Ex VAT	£ Inc VAT
Farringdon BTW pan	26.0058	212.00	254.40
Northall/Farringdon Wrap Over Soft Close Seat	26.0056	74.00	88.80
Farringdon Rimless BTW Pan	26.0079	212.00	254.40
Flexible Connector for BTW Pans	2.009	40.00	48.00

LOIRE

Soft Close Seat 



Description	Code	£ Ex VAT	£ Inc VAT
Loire BTW WC pan & Fixing Bolts**	75.0010	143.00	171.60
Rhone soft close seat	40.0001	84.00	100.80
Flexible Connector for BTW Pans	2.009	40.00	48.00

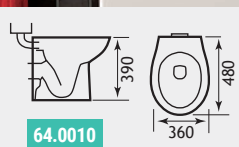
**Pan connector 2.009 is recommended for use with our BTW pan.

LOIRE



75.0010

LISBON II




64.0010

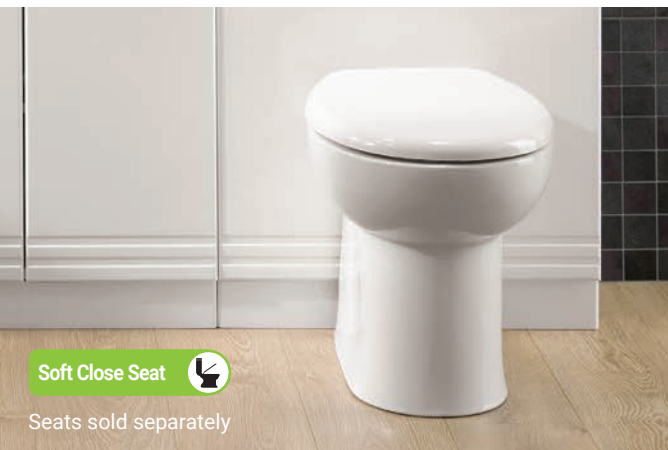
Description	Code	£ Ex VAT	£ Inc VAT
Lisbon II BTW Pan†	64.0010	129.00	154.80
Lisbon II BTW & Corner Pan Seat†	64.0011	37.00	44.40
Lisbon II BTW & Corner Pan Soft Close Seat†	64.0025	101.00	121.20
Lisbon II Semi Recessed Basin 1TH†	64.0022	93.00	111.60
Flexible Connector for BTW Pans	2.009	40.00	48.00

**Pan connector 2.009 is recommended for use with our BTW pan.

†While Stocks Last

Soft Close Seat 

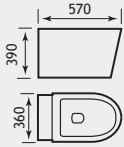
Seats sold separately



Wall Hung Pans

SEINE

Soft Close Seat 

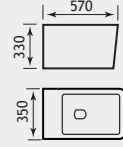


Description	Code	£ Ex VAT	£ Inc VAT
Seine Wall Hung WC Pan White**	40.0004	204.00	244.80
Seine Wall Hung WC Soft Close Seat White	40.0005	55.00	66.00

** Requires either wall-hung bracket or frame - See page 202.

MOSELLE

Soft Close Seat 

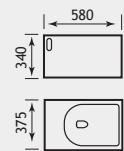


Description	Code	£ Ex VAT	£ Inc VAT
Moselle Wall Hung WC Pan White**	40.0006	204.00	244.80
Moselle Wall Hung WC Soft Close Seat White	40.0007	50.00	60.00

** Requires either wall-hung bracket or frame - See page 292.

SOMME

Soft Close Seat 



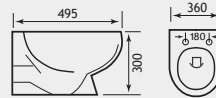
Description	Code	£ Ex VAT	£ Inc VAT
Somme Wall Hung WC Pan White** †	40.0008	262.00	314.40
Somme Wall Hung WC Soft Close Seat White†	40.0009	55.00	66.00

†While Stocks Last **Requires either wall-hung bracket or frame - Page 202.

FARRINGTON

Soft Close Seat 

Rimless Tech 

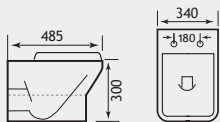


Description	Code	£ Ex VAT	£ Inc VAT
Farrington Rimless Wall Hung Pan White	26.0081	223.00	267.60
Northall/Farrington Wrap Over Soft Close Seat White	26.0056	74.00	88.80
Northall/Farrington Wrap Over Soft Close Seat White	50.008	129.00	154.80

BIJOU

Soft Close Seat 

Rimless Tech 



Description	Code	£ Ex VAT	£ Inc VAT
Bijou Wall Hung Pan White	26.0072	219.00	262.80
Bijou/Collindale Soft close seat White	26.0070	82.00	98.40
Bijou Rimless Wall Hung Pan White	26.0083	219.00	262.80

BIJOU

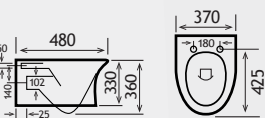


26.0072

NORTHALL

Soft Close Seat 

Rimless Tech 



Description	Code	£ Ex VAT	£ Inc VAT
Northall Wall Hung Pan	26.0104	237.00	284.40
Northall / Farrington Wrap Over Soft Close Seat	26.0056	74.00	88.80
Northall Soft Close Seat	26.0042	97.00	116.40

NORTHALL



26.0104

Concealed Cisterns & Jollytronic

Concealed Cistern & Frames	Code	£ Ex VAT	£ Inc VAT
Concealed cistern & frame 1109 x 555 †	73.0001	258.00	309.60
Concealed cistern & frame 795 x 400 †	73.0002	247.00	296.40

FEATURES: 73. Code cisterns suitable from 0.2 bar

CONCEALED CISTERNS & FRAMES			
Pneumatic Concealed Cistern & Frames	Code	£ Ex VAT	£ Inc VAT
Pneumatic concealed cistern and frame 820x500x150 †	90.0001	218.00	261.60
Pneumatic concealed cistern and frame 1160x500x90 †	90.0002	218.00	261.60

† For more information see pages 202-203.

ELECTRONIC ECO FLUSH

The new, hygienic, no touch flushing system with water saving Eco-Stop flushing technology, allows the user to control how much water is needed to clear the toilet.

BUILT IN SENSOR

This system flushes for as long as the sensor is covered which allows the user to flush the toilet for just the right length of time needed to clear.

15,000 FLUSHING CYCLES PER BATTERY

It is a battery operated system giving a typical 15,000 flushing cycles before battery replacement is needed. It also has a manual over-ride in the unlikely event of battery failure.

JOLLYTRONIC - ECO FLUSH

Description	Code	£ Ex VAT	£ Inc VAT
Jollytronic universal bottom entry cistern fitting	7.0000	135.00	162.00

For ceramic cisterns only



Jollytronic

Water Saving
Tech



Concealed Cisterns

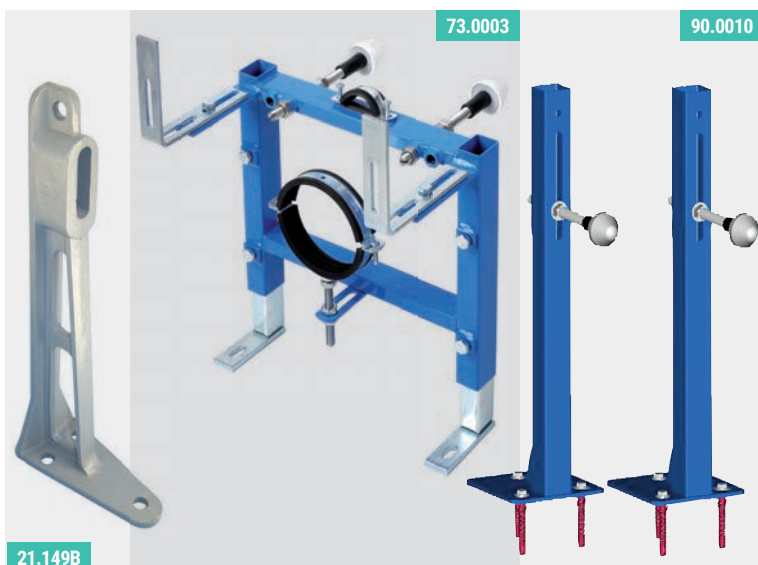
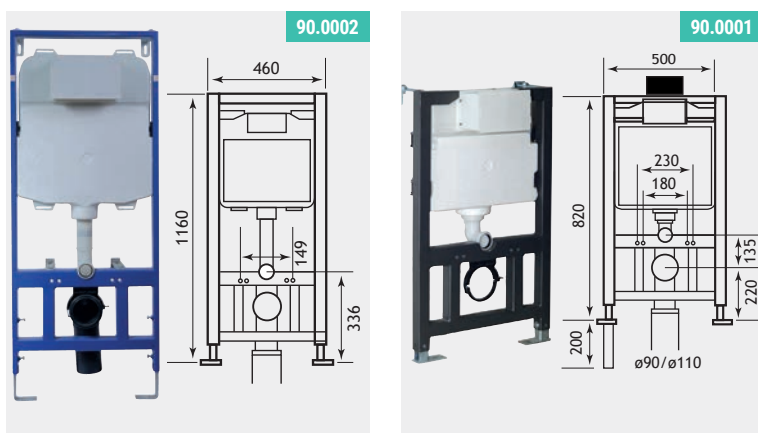
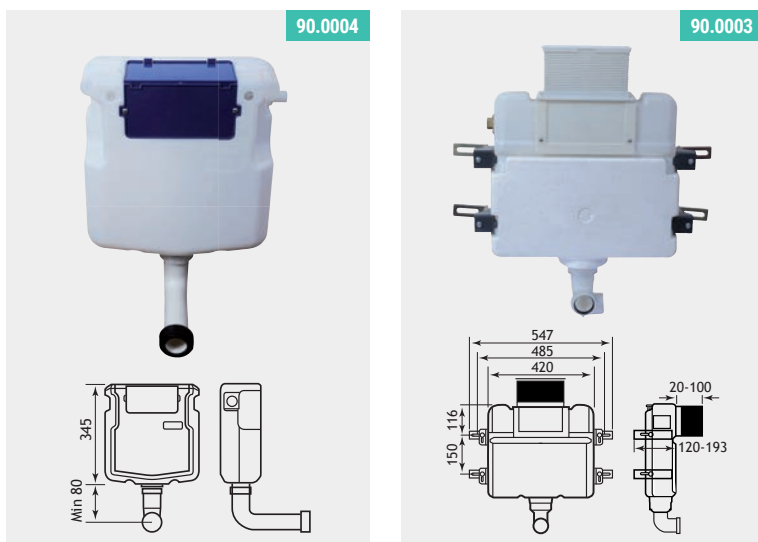
Concealed cisterns pneumatic mechanism

Description	Code	£ Ex VAT	£ Inc VAT
Concealed cistern and frame 820x500x150*	90.0001	218.00	261.60
Concealed cistern and frame 1160x500x90*	90.0002	218.00	261.60
Pneumatic universal concealed cistern	90.0003	126.00	151.20
Pneumatic hidden cistern, top inlet**	90.0004	109.00	130.80

* A push plate is required, see below for options.

** 90.0004 Push button supplied in box.

Cisterns compatible with Oslo tall cistern units, or built in only.



CONCEALED CISTERNS

FEATURES

- WRAS approved flushing components
- Large fitting tolerance
- Solid fixing kits
- 90.0004 easy to maintain, front and top access
- Pneumatic controlled flush

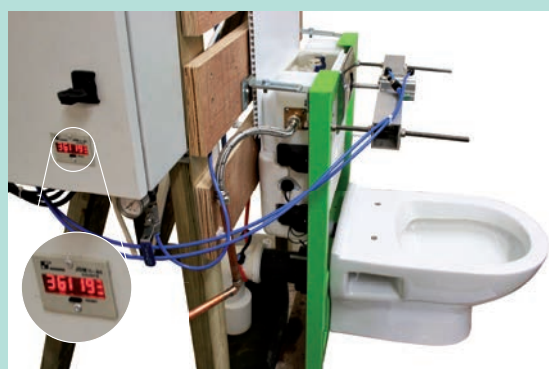


Push plates

Description	Code	£ Ex VAT	£ Inc VAT
Push plate square White	90.0005	19.00	22.80
Push plate square Chrome	90.0006	33.00	39.60
Push plate round Chrome	90.0007	33.00	39.60
Push plate round White	90.0008	19.00	22.80

The above push plates are only compatible with 90 code concealed cisterns.

Pneumatic Mechanism Tried and Tested

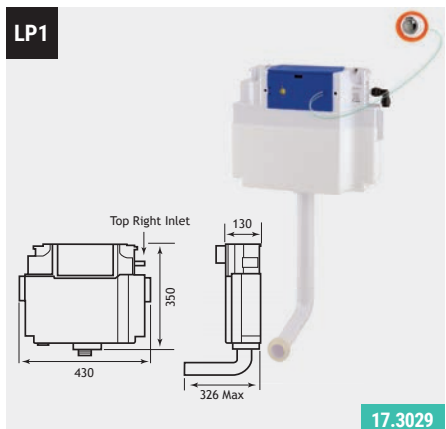


As part of our product testing, greater functionality development and compliance certification, we test our products for a simulated lifetime of use. We were looking to measure the wear and tear on this cistern and fittings based on 10 flushes a day for 30 years which is 109,500 flushes. This product has sailed past this figure and now is over 360,000 flushes!!

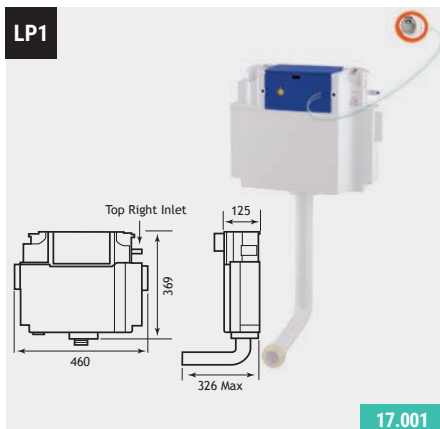
Brackets

Description	Code	£ Ex VAT	£ Inc VAT
Wall Hung pan/bidet brackets -	21.149B	190.00	228.00
Mirage frame 310 x 345 -	73.0003	156.00	187.20
L-Shape wall hung pan/bidet brackets	90.0010	76.00	91.20

Sanitaryware Accessories



17.3029



17.001



53.001

Hidden Cisterns

Description	Code	£ Ex VAT	£ Inc VAT
Vantage hidden cistern with jacket	17.3029	207.00	248.40
Vantage plain hidden cistern CP push button	17.001	180.00	216.00
Eastbrook jacket hidden cistern - bottom inlet	53.001	112.00	134.40

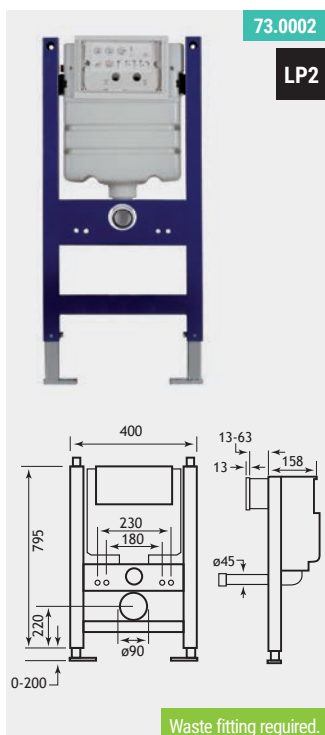
Cisterns compatible with standards height units, or built in.

FEATURES

- WRAS approved flushing components
- Delay fill inlet valve - no water waste
- 17.3029 & 17.001 have pneumatic controlled flush
- 53.001 has cable controls

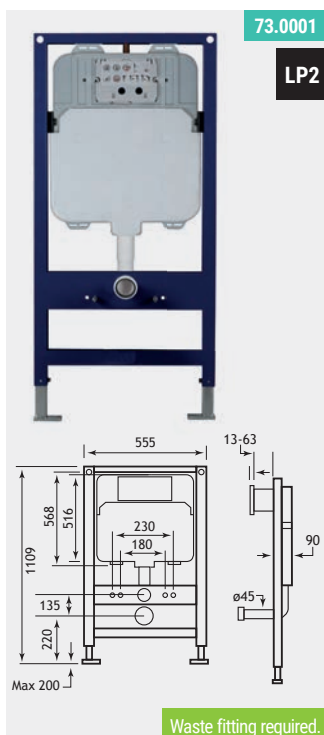
Required minimum operating pressure key

LP1	- 0.1 bar minimum
LP2	- 0.2 bar minimum



73.0002

LP2



73.0001

LP2

Concealed Cisterns

Description	Code	£ Ex VAT	£ Inc VAT
Concealed Cistern & Frame 1109 x 555 (Wall Hung)	73.0001	258.00	309.60
Concealed Cistern & Frame 795 x 400 (Wall Hung)	73.0002	247.00	296.40
Concealed Cistern 568 x 445 x 80 (BTW)*	73.0004	114.00	136.80
Concealed Cistern 350 x 290 x 150 (BTW)*	73.0005	107.00	128.40

Cisterns compatible with Oslo tall cistern units, or built in only.
*A flush plate is required, please see this page for options.

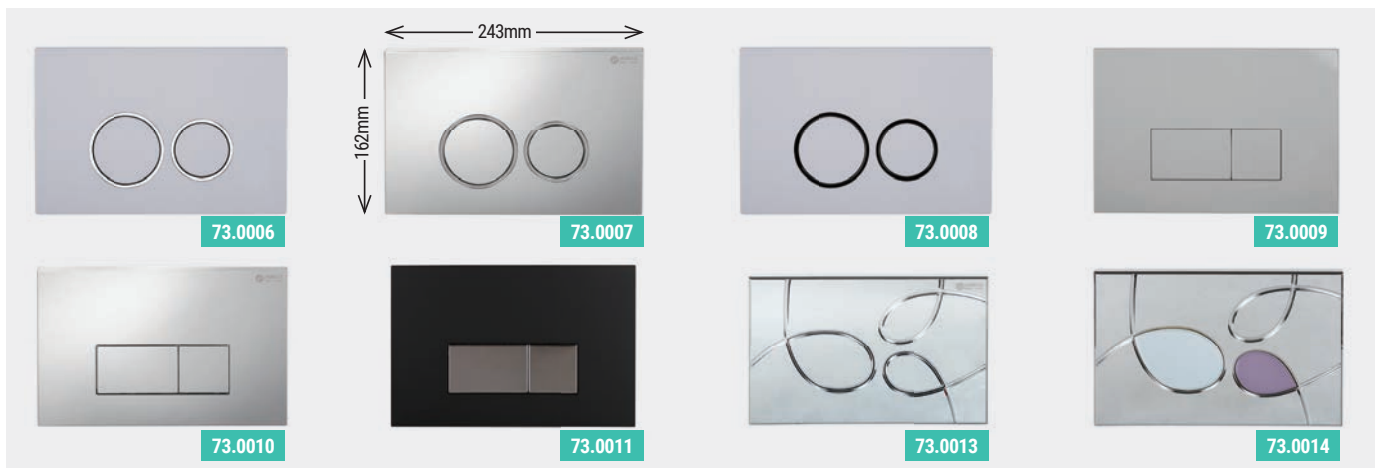
Flush Plates

Description	Code	£ Ex VAT	£ Inc VAT
R Series Flush Plate Chrome	73.0006	37.00	44.40
R Series Flush Plate Silver Grey	73.0007	33.00	39.60
R Series Flush Plate Chrome/ Black Ring	73.0008	36.00	43.20
V Series Flush Plate Chrome	73.0009	37.00	44.40
V Series Flush Plate Silver Grey	73.0010	33.00	39.60
V Series Flush Plate Black/Chrome Button	73.0011	33.00	39.60
W Series Flush Plate Chrome†	73.0013	37.00	44.40
W Series Flush Plate Chrome/Colour Buttons	73.0014	36.00	43.20

The above flush plates are only compatible with 73 code concealed cisterns.
†While stocks last

FEATURES

- 73. Code cisterns suitable from 0.2 bar
- Rod controlled flush





Accessories

Add the finishing touches to your bathroom or ensuite with a stylish range of accessories designed to complement your decor.

Contents

Alento range & Davos shelving	206
Solid Brass Baskets	207
Asti Range	208 - 211
Salerno range	212 - 213
Genoa range	214 - 215
Vercelli range	216 - 217
Rimini range	218 - 219
Rockingham range	220 - 221
Wastes	222
Bottle traps, levels, frames & fixings	223



Alento & Davos

ALENTO STAINLESS STEEL ACCESSORIES



Alento Accessories			
Description	Code	£ Ex VAT	£ Inc VAT
Alento Hook Chrome	46.0000	29.00	34.80
Alento Double Hook Chrome	46.0001	53.00	63.60
Alento Toilet Roll Holder Chrome	46.0002	64.00	76.80
Alento Square Towel Ring Chrome	46.0003	109.00	130.80
Alento Round Towel Ring Chrome	46.0004	152.00	182.40
Alento Toilet Brush Chrome	46.0005	135.00	162.00
Alento Glass Shelf Chrome	46.0006	160.00	192.00
Alento 600mm Towel Rail Chrome	46.0007	91.00	109.20
Alento 800mm Towel Rail Chrome	46.0008	101.00	121.20

FEATURES

- Hidden fixings
- Made of stainless steel
- Chrome polished finish



46.0001



46.0006



46.0002



46.0003



46.0007/8



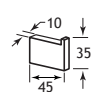
46.0005



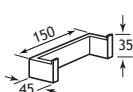
46.0000



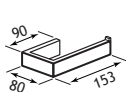
46.0004



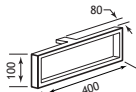
46.0000



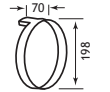
46.0001



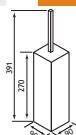
46.0002



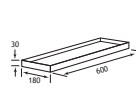
46.0003



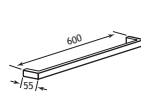
46.0004



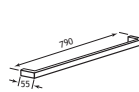
46.0005



46.0006



46.0007



46.0008

DAVOS



Corner Glass Shelves

Description (Width x Depth x Height mm)	Code	£ Ex VAT	£ Inc VAT
Davos corner 320x320x1180 glass shelves	56.1052	303.00	363.60

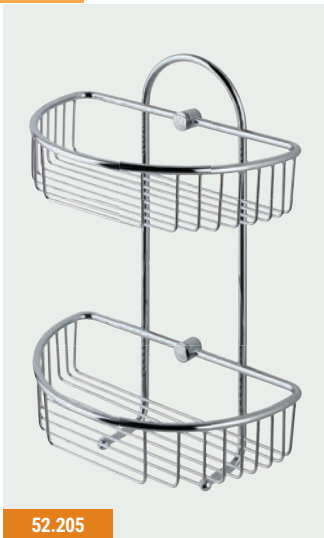
56.1052

Solid Brass Baskets

SOLID BRASS BASKETS



52.213



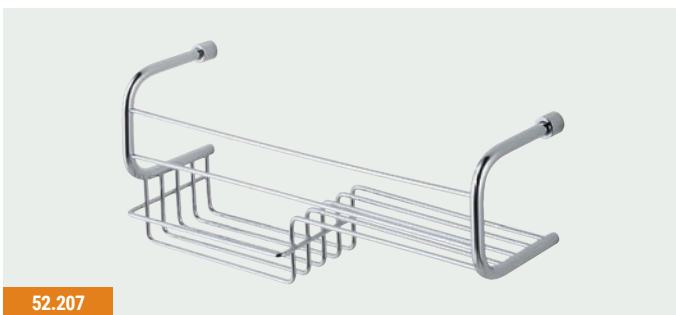
52.205



52.210



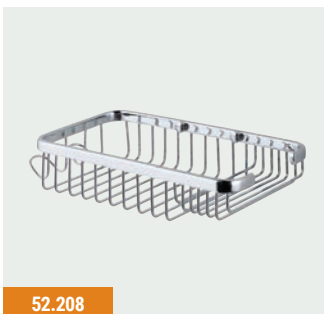
52.202



52.207



52.209



52.208



52.206



52.201

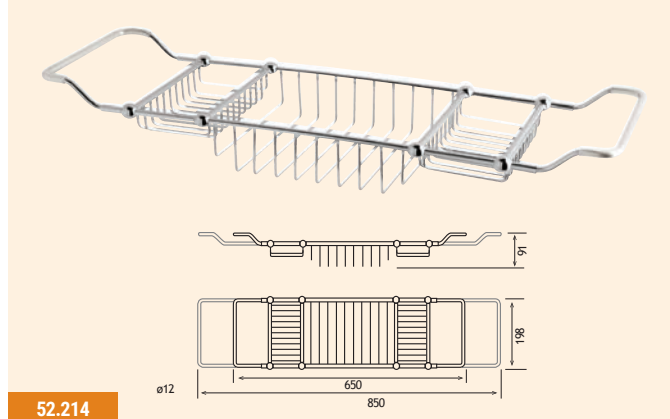


52.203



52.211

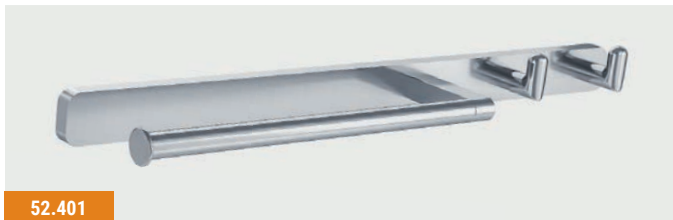
Solid Brass Baskets				
Description	Dimensions width x projection	Code	£ Ex VAT	£ Inc VAT
Single corner basket	197 x 197 x 76	52.201	50.00	60.00
Double corner basket	345 x 195x 195	52.202	110.00	132.00
Rectangular wall basket	261 x 120 x 90	52.203	58.00	69.60
Double basket	275 x 155 x 310	52.205	127.00	152.40
Corner basket	210 x 210 x 110	52.206	65.00	78.00
Rectangular basket	360 x 95 x 150	52.207	76.00	91.20
Rectangular basket	265 x 125 x 55	52.208	66.00	79.20
Rectangular basket	200 x 120 x 45	52.209	58.00	69.60
Double corner basket	175 x 175 x 270	52.210	91.00	109.20
Corner basket	205 x 205 x 110	52.211	74.00	88.80
Double Rectangular hanging basket	275 x 125 x 510	52.213	174.00	208.80
Bath Rack	850 x 198 x 91	52.214	192.00	230.40



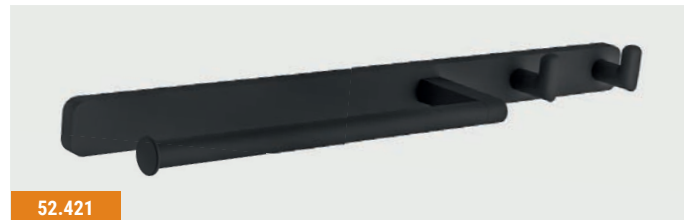
52.214

Asti Range

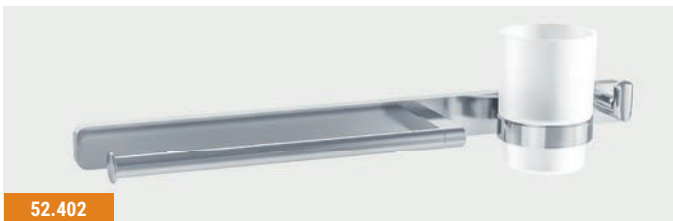
ASTI ACCESSORIES



52.401



52.421



52.402



52.422



52.403



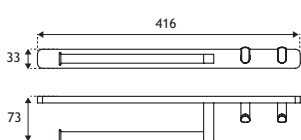
52.423



52.404

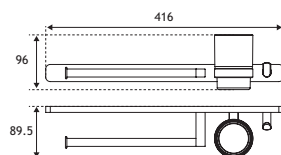


52.424



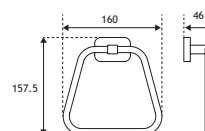
52.401

52.421



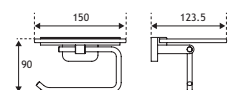
52.402

52.422



52.403

52.423



52.404

52.424

Asti Range

ASTI ACCESSORIES

Asti Accessories					
Description	Colour	Dimensions width x projection	Code	£ Ex VAT	£ Inc VAT
Asti Towel Ring and Double Hook	Chrome	416 x 73	52.401	68.00	81.60
Asti Towel Ring and Double Hook	Matt Black	416 x 73	52.421	73.00	87.60
Asti Towel Ring, Hook and Tumbler Holder	Chrome	416 x 90	52.402	68.00	81.60
Asti Towel Ring, Hook and Tumbler Holder	Matt Black	416 x 90	52.422	73.00	87.60
Asti Towel Ring	Chrome	160 x 46	52.403	29.00	34.80
Asti Towel Ring	Matt Black	160 x 46	52.423	31.00	37.20
Asti Toilet Roll Holder with Glass Shelf	Chrome	150 x 124	52.404	53.00	63.60
Asti Toilet Roll Holder with Glass Shelf	Matt Black	150 x 124	52.424	55.00	66.00
Asti Toilet Roll Holder	Chrome	150 x 70	52.405	22.00	26.40
Asti Toilet Roll Holder	Matt Black	150 x 70	52.425	25.00	30.00
Asti Robe Hook Curved	Chrome	58 x 41	52.406	16.00	19.20
Asti Robe Hook Curved	Matt Black	58 x 41	52.426	17.00	20.40
Asti Double Tumbler Holder	Chrome	166 x 84	52.407	42.00	50.40
Asti Double Tumbler Holder	Matt Black	166 x 84	52.427	46.00	55.20
Asti Tumbler Holder	Chrome	67 x 90	52.408	22.00	26.40
Asti Tumbler Holder	Matt Black	67 x 90	52.428	24.00	28.80
Asti Soap Dish Holder	Chrome	110 x 126	52.409	22.00	26.40
Asti Soap Dish Holder	Matt Black	110 x 126	52.429	24.00	28.80

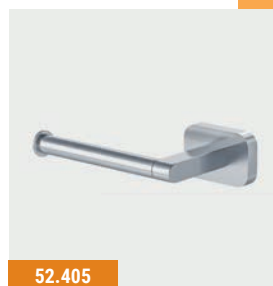
Width & projection measurements all in millimetres.

FEATURES

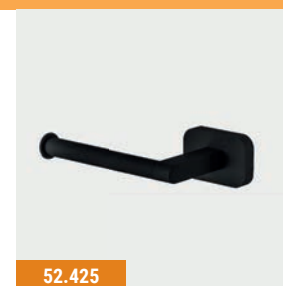
- Modern, minimalist design
- Made of solid brass
- Meticulously polished to produce mirror-like finish
- Bright chrome finish



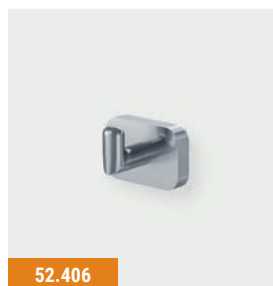
52.404



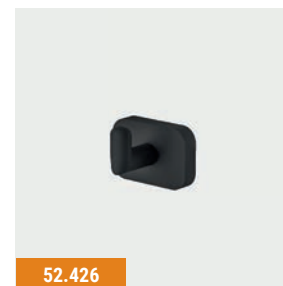
52.403



52.423



52.406



52.426



52.407



52.427



52.408



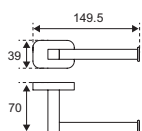
52.428



52.409

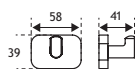


52.429



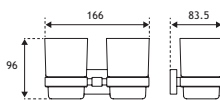
52.403

52.423



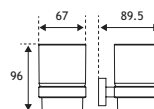
52.406

52.426



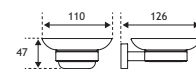
52.407

52.427



52.408

52.428



52.409

52.429

Asti Range

ASTI ACCESSORIES



52.413



52.433



52.414



52.434



52.411



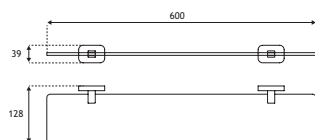
52.431



52.418

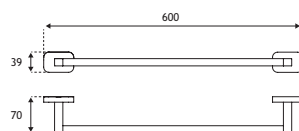


52.438



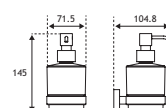
52.413

52.433



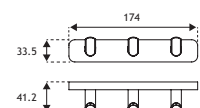
52.414

52.434



52.411

52.431



52.418

52.438

Asti Range

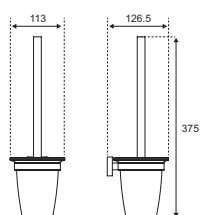
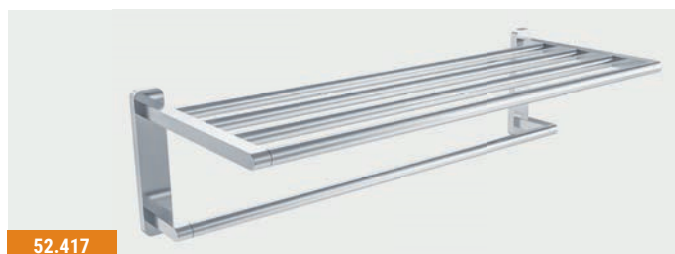
ASTI ACCESSORIES

Asti Accessories					
Description	Colour	Dimensions width x projection	Code	£ Ex VAT	£ Inc VAT
Asti Soap Dispenser	Chrome	72 x 105	52.411	49.00	58.80
Asti Soap Dispenser	Matt Black	72 x 105	52.431	51.00	61.20
Asti Toilet Brush Holder	Chrome	113 x 127	52.412	41.00	49.20
Asti Toilet Brush Holder	Matt Black	113 x 127	52.432	44.00	52.80
Asti Glass Shelf	Chrome	600 x 128	52.413	38.00	45.60
Asti Glass Shelf	Matt Black	600 x 128	52.433	40.00	48.00
Asti Towel Rail	Chrome	600 x 70	52.414	50.00	60.00
Asti Towel Rail	Matt Black	600 x 70	52.434	54.00	64.80
Asti Double Towel Rail	Chrome	600 x 120	52.415	79.00	94.80
Asti Double Towel Rail	Matt Black	600 x 120	52.435	83.00	99.60
Asti Double Split Rail	Chrome	407 x 47	52.416	49.00	58.80
Asti Double Split Rail	Matt Black	407 x 47	52.436	51.00	61.20
Asti Towel shelf	Chrome	572 x 220	52.417	197.00	236.40
Asti Towel shelf	Matt Black	572 x 220	52.437	208.00	249.60
Asti Triple robe Hook	Chrome	174 x 42	52.418	38.00	45.60
Asti Triple robe Hook	Matt Black	174 x 42	52.438	40.00	48.00

Width & projection measurements all in millimetres.

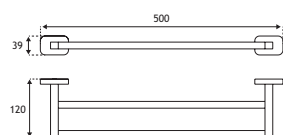
FEATURES

- Modern, minimalist design
- Made of solid brass
- Meticulously polished to produce mirror-like finish
- Bright chrome finish



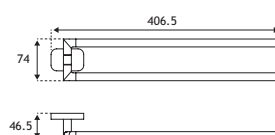
52.412

52.432



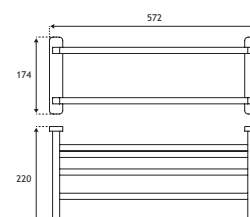
52.415

52.435



52.416

52.436



52.417

52.437

Salerno

SALERNO SOLID BRASS ACCESSORIES



FEATURES

- Made of solid brass
- A Choice of a bright chrome finish or matt smooth black
- Meticulously polished to produce mirror-like finish (chrome only)



52.020



52.215



52.021



52.216



52.023



52.218



52.032



52.220



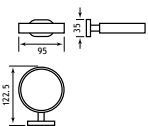
52.025



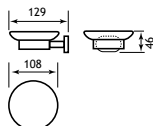
52.219



52.024

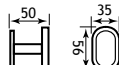


52.020



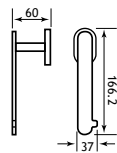
52.021

52.216



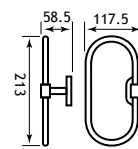
52.022

52.217

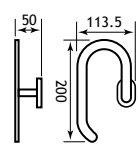


52.023

52.218



52.024



52.025

52.219

SALERNO SOLID BRASS ACCESSORIES



Pictured with Cheverney WC

Salerno Solid Brass Accessories				
Description	Dimensions width x projection	Code	£ Ex VAT	£ Inc VAT
Tumbler Holder	95 x 113	52.020	22.00	26.40
Tumbler Holder Matt Smooth Black	95 x 113	52.215	22.00	26.40
Soap Dish	108 x 129	52.021	22.00	26.40
Soap Dish Matt Smooth Black	108 x 129	52.216	22.00	26.40
Robe Hook	56 x 50	52.022	19.00	22.80
Robe Hook Matt Smooth Black	56 x 50	52.217	19.00	22.80
Toilet Roll Holder	166 x 60	52.023	28.00	33.60
Toilet Roll Holder Matt Smooth Black	166 x 60	52.218	28.00	33.60
Towel Ring	213 x 118	52.024	31.00	37.20
Towel Holder	200 x 50	52.025	42.00	50.40
Towel Holder Matt Smooth Black	200 x 50	52.219	42.00	50.40
450mm Single Towel Rail	513 x 60	52.026	70.00	84.00
Single Towel Rail	666 x 60	52.027	79.00	94.80
Single Towel Rail Matt Smooth Black	666 x 60	52.221	91.00	109.20
450mm Double Towel Rail	513 x 110	52.028	91.00	109.20
600mm Double Towel Rail	666 x 110	52.029	107.00	128.40
Towel Rack with Bar	666 x 215	52.030	206.00	247.20
Glass Shelf	500 x 115	52.031	42.00	50.40
Glass Brush Holder	68 x 109	52.032	35.00	42.00
Glass Brush Holder Matt Smooth Black	68 x 109	52.220	35.00	42.00

FEATURES

- Made of solid brass
- A Choice of a bright chrome finish or matt smooth black
- Meticulously polished to produce mirror-like finish (chrome only)



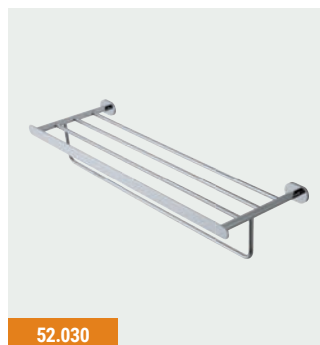
52.221



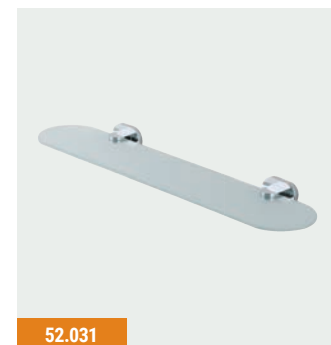
52.028



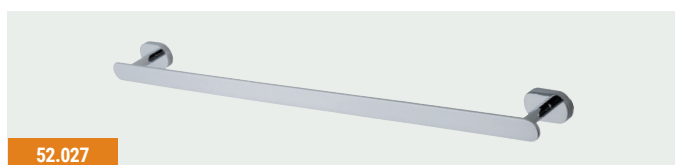
52.026



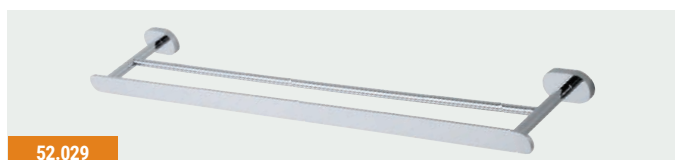
52.030



52.031



52.027



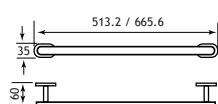
52.029



52.022

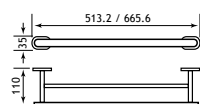


52.217

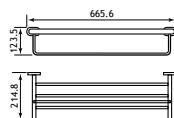


52.026

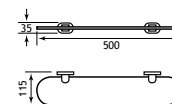
52.027 / 52.221



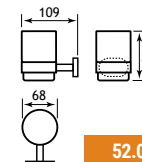
52.028 / 52.029



52.030



52.031



52.032

Genoa

GENOA SOLID BRASS ACCESSORIES



Pictured with Cheverney, see page 180.

FEATURES

- Made of solid brass
- Meticulously polished to produce mirror-like finish
- Bright chrome finish



52.001



52.002



52.003



52.004

Can be freestanding or wall mounted



52.005



52.006



52.007



52.008



52.009



52.010

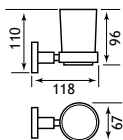


52.011

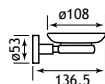
Each rail moves independently



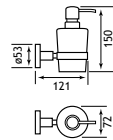
52.001



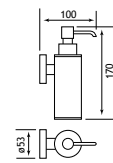
52.002



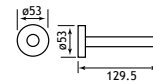
52.003



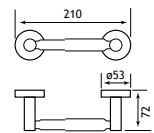
52.004



52.005



52.006



52.007

GENOA SOLID BRASS ACCESSORIES



Pictured with Chevermey basin, see page 139.

Genoa Solid Brass Accessories				
Description	Dimensions width x projection	Code	£ Ex VAT	£ Inc VAT
Robe Hook	53 x 51	52.001	20.00	24.00
Tumbler Holder	67 x 118	52.002	26.00	31.20
Glass Soap Dispenser	72 x 130	52.004	41.00	49.20
Toilet Roll Holder	52 x 130	52.006	24.00	28.80
Spindle Toilet Roll Holder	210 x 70	52.007	39.00	46.80
Metal Brush Holder**	93 diameter	52.013	90.00	108.00
Glass Brush Holder	112 x 153	52.012	37.00	44.40
Soap Dish	108 x 138	52.003	26.00	31.20
Metal Soap Dispenser	52 x 100	52.005	59.00	70.80
Double Split Towel Rail*	52 x 420	52.011	38.00	45.60
Double Towel Rail	643 x 154	52.010	77.00	92.40
Single Towel Rail	643 x 70	52.009	44.00	52.80
Glass Shelf with Barrier	596 x 126	52.008	41.00	49.20
Metal Towel Ring	190 x 170 x 57	52.014	36.00	43.20
Wiper	258 x 55	52.015	31.00	37.20
Covered Toilet Roll Holder	142 x 50	52.016	44.00	52.80

*Each rail moves independently. **Can be floor standing or wall hanging. If wall hanging projection increases to 106mm. Width measurements are to the outside face of each unit i.e. to the end of the brackets where applicable.

FEATURES

- Made of solid brass
- Meticulously polished to produce mirror-like finish
- Bright chrome finish



52.012



Can be freestanding or wall mounted

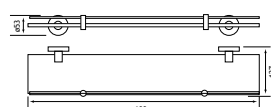
52.013



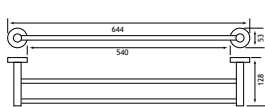
52.014



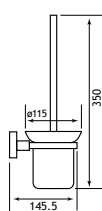
52.015



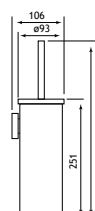
52.008



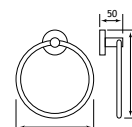
52.010



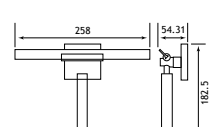
52.012



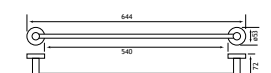
52.013



52.014



52.015



52.009



52.011

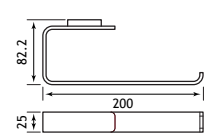
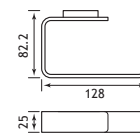
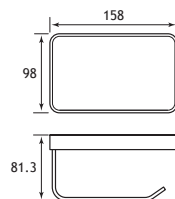
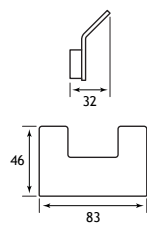
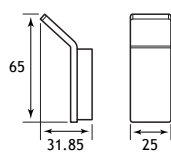
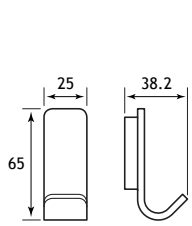
Vercelli

Vercelli Accessories				
Description	Dimensions width x projection	Code	£ Ex VAT	£ Inc VAT
Vercelli Toilet Roll Holder	128 x 83	52.301	33.00	39.60
Vercelli Toilet Roll Holder with Leather shelf	158 x 98	52.302	104.00	124.80
Vercelli Robe Hook	25 x 39	52.303	16.00	19.20
Vercelli Robe Hook Chrome	25 x 32	52.304	15.00	18.00
Vercelli Double Robe hook	83 x 32	52.305	20.00	24.00
Vercelli Tumbler Holder	75 x 95	52.306	37.00	44.40
Vercelli Soap Dish Holder	104 x 110	52.307	37.00	44.40
Vercelli Soap Dispenser	75 x 95	52.308	57.00	68.40
Vercelli Toilet Brush Holder	75 x 95	52.309	53.00	63.60
Vercelli Towel Ring	200 x 83	52.311	41.00	49.20
Vercelli Glass Shelf	600 x 119	52.312	102.00	122.40
Vercelli Towel Rack with bar	600 x 210	52.315	239.00	286.80

Width & projection measurements all in millimetres.

FEATURES

- Modern, minimalist design
- Made of solid brass
- Bright chrome finish
- Meticulously polished to produce mirror-like finish



52.303

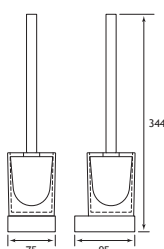
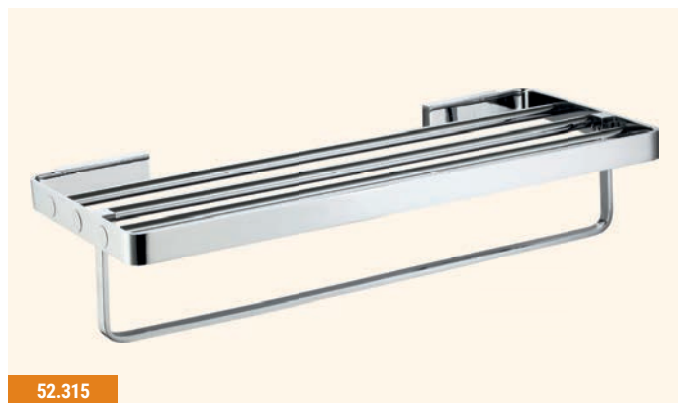
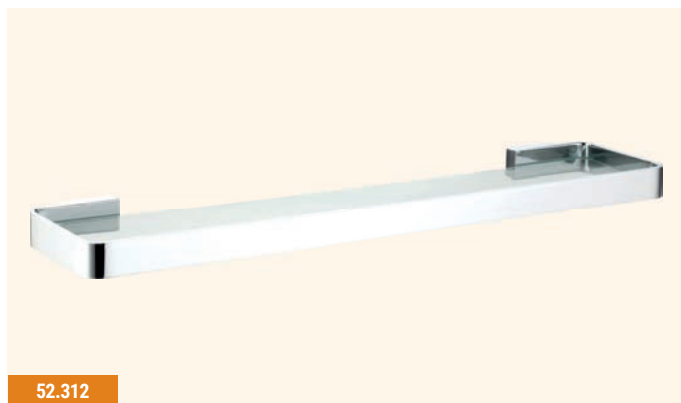
52.304

52.305

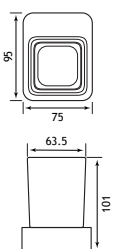
52.302

52.301

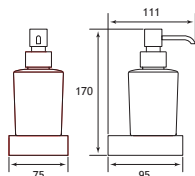
52.311



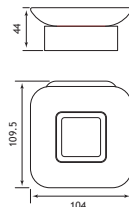
52.309



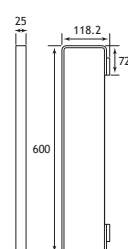
52.306



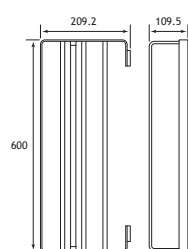
52.308



52.307



52.312



52.315

Rimini

Rimini Solid Brass				
Description	Dimensions width x projection	Code	£ Ex VAT	£ Inc VAT
Robe Hook	52 x 55	52.101	21.00	25.20
Tumbler Holder	67 x 118	52.102	28.00	33.60
Glass Soap Dispenser	72 x 130	52.104	47.00	56.40
Toilet Roll Holder	141 x 51	52.106	24.00	28.80
Spindle Toilet Roll Holder	207 x 72	52.107	40.00	48.00
Glass Brush Holder	115 x 155	52.112	40.00	48.00
Metal Brush Holder**	93 x 107	52.113	96.00	115.20
Soap Dish	110 x 141	52.103	28.00	33.60
Metal Soap Dispenser	52 x 100	52.105	63.00	75.60
Double Split Towel Rail*	52 x 420	52.111	39.00	46.80
Double Towel Rail	643 x 129	52.110	93.00	111.60
Single Towel Rail	640 x 71	52.109	52.00	62.40
Glass Shelf with Barrier	600 x 125	52.108	47.00	56.40
Metal Towel Ring	165 x 162 x 50	52.114	39.00	46.80
Wiper	258 x 55	52.115	52.00	62.40
Covered Toilet Roll Holder	142 x 50	52.116	47.00	56.40

*Each rail moves independently. **Can be floor standing or wall hanging. If wall hanging projection increases to 106mm. Width measurements are to the outside face of each unit i.e. to the end of the brackets where applicable.

FEATURES

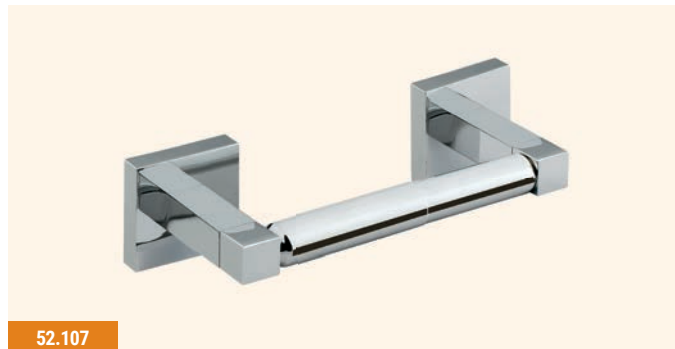
- Made of solid brass
- Meticulously polished to produce mirror-like finish
- Bright chrome finish



52.106



52.114



52.107



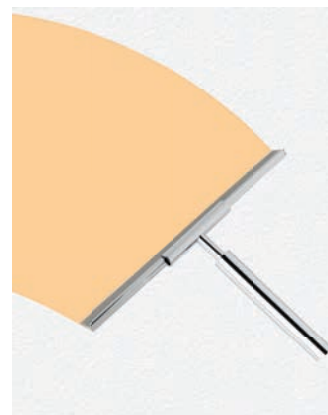
52.101



52.103



52.105



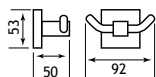
52.102



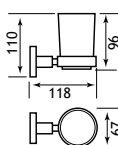
52.104



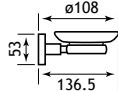
52.115



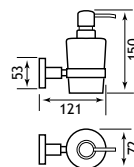
52.101



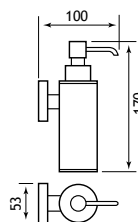
52.102



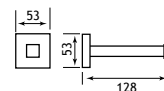
52.103



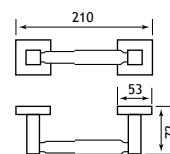
52.104



52.105



52.106



52.107

RIMINI SOLID BRASS ACCESSORIES



Pictured with Cheverney basin, see page 184.

Can be freestanding or wall mounted



52.112



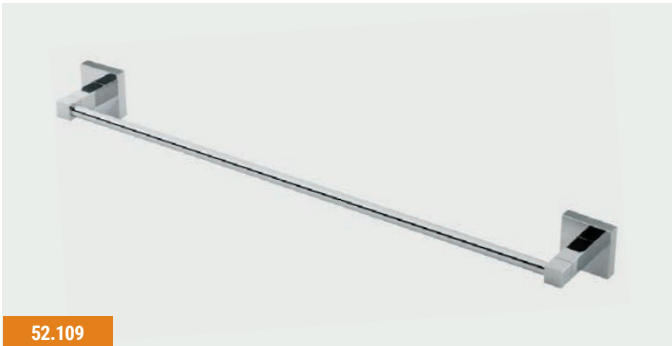
52.113



52.108



52.110

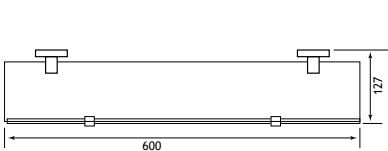


52.109

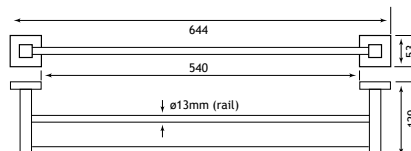


52.111

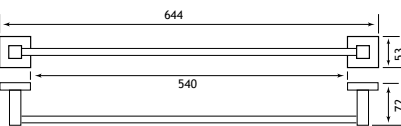
Each rail moves independently



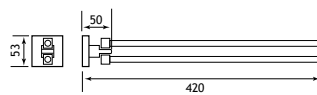
52.108



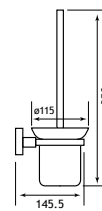
52.110



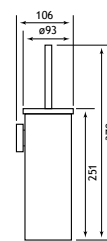
52.109



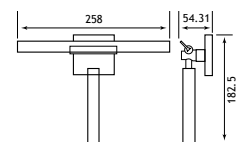
52.111



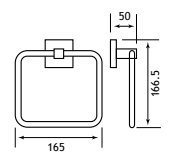
52.112



52.113



52.115



52.114

Rockingham

Rockingham Solid Brass			
Description	Code	£ Ex VAT	£ Inc VAT
Rockingham Robe Hook	52.040	41.00	49.20
Rockingham Tumbler Holder	52.041	64.00	76.80
Rockingham Double Tumbler Holder	52.042	90.00	108.00
Rockingham Soap Dish	52.043	64.00	76.80
Rockingham Towel Ring	52.044	59.00	70.80
Rockingham Toilet Roll Holder	52.045	68.00	81.60
Rockingham Single Towel Rail	52.046	90.00	108.00
Rockingham Double Towel Rail	52.047	149.00	178.80
Rockingham Towel Shelf	52.048	257.00	308.40
Rockingham Glass Shelf with Barrier	52.049	97.00	116.40
Rockingham Toilet Brush Holder	52.050	83.00	99.60
Rockingham Covered Toilet Roll Holder	52.051	74.00	88.80

FEATURES

- Constructed from solid brass
- Polished chrome finish
- Traditional design
- Easy to fit



52.040



52.041



52.050



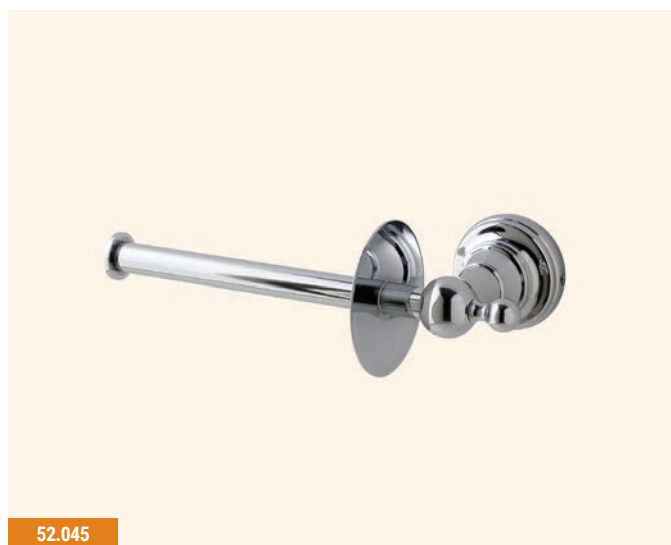
52.043



52.042



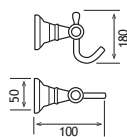
52.044



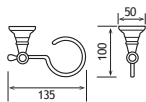
52.045



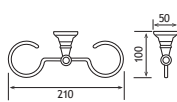
52.051



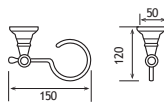
52.040



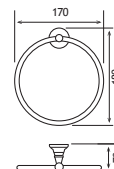
52.041



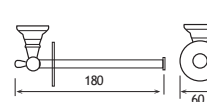
52.042



52.043



52.044



52.045

Rockingham

ROCKINGHAM SOLID BRASS ACCESSORIES



52.046



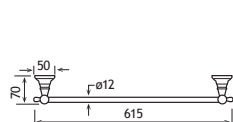
52.047



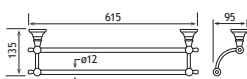
52.048



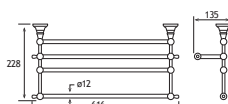
52.049



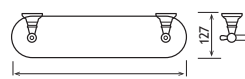
52.046



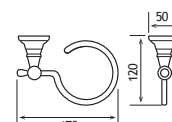
52.047



52.048



52.049



52.050

Waste Range

Bath Wastes			
Description (Chrome)	Code	£ Ex VAT	£ Inc VAT
Exposed bath pop up waste Chrome	25.0001	152.00	182.40
Luxury bath pop up waste & overflow Chrome	25.0003	41.00	49.20
Luxury Bath Pop-up Waste + Overflow Chrome	41.2008	53.00	63.60
Bath Pop Up Waste & Overflow Chrome	56.2071	37.00	44.40
Superior Bath Pop Up Waste & Overflow Chrome	56.2072	40.00	48.00
Extended Bath Pop-up Waste & Overflow	98.0008	38.00	45.60

Bath Wastes			
Description (Chrome)	Code	£ Ex VAT	£ Inc VAT
Bath Combined Waste & Overflow Chrome	41.2009	24.00	28.80
Push button bath waste and overflow Chrome	7.0011	79.00	94.80
Square Sprung Plug Bath Waste	98.0006	42.00	50.40
Ceramic Top Bath Waste White	45.0001	57.00	68.40
Flipper Bath Waste Chrome	25.0007	38.00	45.60



Basin Wastes			
Description (Chrome)	Code	£ Ex VAT	£ Inc VAT
Push button basin waste Chrome	25.0002	22.00	26.40
Push button basin waste Chrome	56.2073	30.00	36.00
Push button basin waste Chrome	41.2010	42.00	50.40
Flip top basin waste - unslotted Chrome	25.0005	19.00	22.80
Flip top basin waste - slotted Chrome	25.0006	19.00	22.80
Ceramic Top Basin Waste White	45.0000	26.00	31.20

Other Wastes			
Description (Chrome)	Code	£ Ex VAT	£ Inc VAT
Contract Sink Waste	4.5213*	12.00	14.40

*While stocks last.



Bottle Traps, Levers, Frames & Fixings

Bottle Traps

Description	Code	£ Ex VAT	£ Inc VAT
1.25" Bottle Trap inc Extender Tube	98.0017	41.00	49.20
Square Bottle Trap and Extension Tube	93.0050	70.00	84.00
Minimalist Bottle Trap	93.0065	39.00	46.80



Levers

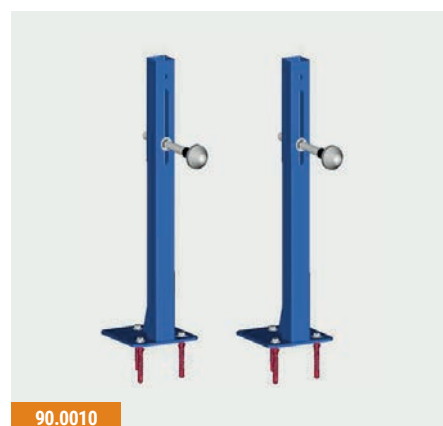
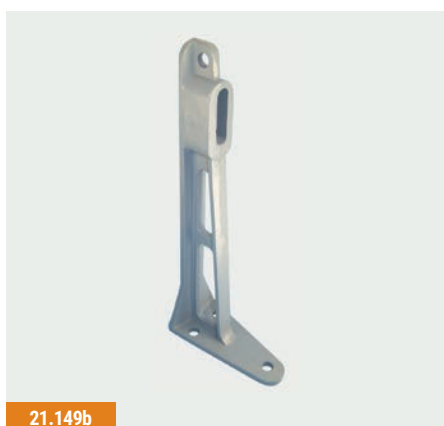
Description	Code	£ Ex VAT	£ Inc VAT
Metal Universal WC Lever	98.0011	14.00	16.80
Ceramic Handle WC Lever	98.0012	17.00	20.40



Frames & Fixings

Description	Code	£ Ex VAT	£ Inc VAT
Wall Hung pan/bidet brackets -	21.149B	190.00	228.00
Mirage frame 310 x 345 -	73.0003	156.00	187.20
L-Shape wall hung pan/bidet brackets	90.0010	76.00	91.20

Description	Code	£ Ex VAT	£ Inc VAT
Fischer Bolts Set - basin to Wall -	9.201	18.00	21.60
Fischer bolts set - pan to floor - top fixing -	9.202	14.00	16.80
Fischer cloakroom/corner basin brackets -	9.203	19.00	22.80
Fischer bolts set - pan to floor - side fixing -	9.204	24.00	28.80





Vanity

Units both stylish and practical, many with soft close systems on doors and drawers. New polymarble basin tops give opportunities to create a clean, modern & stylish impression.

Contents	
Bonito Range	226 - 227
Bonito Slab	228 - 231
Bonito Corner Units	232
Castilla Drawer	233
Cavone Units	234 - 247
Diamante Units	248 - 249
Faro Vanity Units	250 - 253
Gravina Vanity Units	254 - 255
Hardwick Vanity Units	256 - 263
Madrid Vanity Units	264 - 267
Oslo Vanity Units	268 - 287
Oslo Max	288
Oslo Combination Unit	289 - 293
Oslo Semi Recessed & Slimline	294 - 295
Oslo Tall Cistern Unit	296 - 298
Oslo Reduced Depth	299
Oslo Wall Hung	300 - 302
Seville Tableau	303 - 304
Sorrento Slab Units	305 - 307
Sorrento Vanity Units	308 - 310
Sorrento Wall-Hung Basins & Units	311 - 318
Sherwood Vanity Units	319
Bath Panels	320 - 321
Diamante Bath Panels	322
Seats	323



Bonito 120 Range

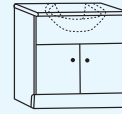


Bonito 120 White Gloss combination with Bonito 120 cast top (left or right handed). The 60cm cornice has two LED lamps and a shaver socket.

1200mm Bonito Unit			
Size	Code	£ Ex VAT	£ Inc VAT
Bonito 60cm WC unit**	1.029	338.00	405.60
Bonito 60cm basin unit**	1.028	305.00	366.00
Bonito 120cm plinth (height 70mm)	1.039	25.00	30.00
Bonito cast cut out panel	1.062	36.00	43.20
Bonito 120 cast top LH	51.001	338.00	405.60
Bonito 120 cast top RH	51.002	338.00	405.60
Bonito 60cm wall unit - door	1.034	258.00	309.60
Bonito 60cm mirror †	1.036	150.00	180.00
Diamante 60cm Cornice	1.204	226.00	271.20
Vantage Plain Hidden Cistern CP Push Button	17.001	180.00	216.00
Eastbrook Jacket Hidden Cistern - Bottom Inlet	53.001	112.00	134.40
Vantage Hidden Cistern with Jacket	17.3029	207.00	248.40

† NB. mirror must be fitted with cornice. *7.0015 trap and unslotted basin waste recommended for installation, see below for details. **Plinth must be ordered separately.

Basin Unit

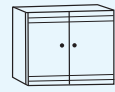


The upper panel is supplied uncut (for semi recessed basin)

1.028 / 1.037		
Width	Depth	Height
600mm	305mm	800mm

*Height excluding countertop and basin

Wall Cupboard



with two doors

1.034		
Width	Depth	Height
600mm	176mm	700mm

Base Unit with Drawer

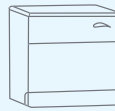


All drawers have metal runners and all doors have metal adjustable hinges. RH shown

Left Hand - 1.031 (OR) Right Hand - 1.030		
Width	Depth	Height
300mm	305mm	800mm

*excluding countertop

Concealed Cistern WC unit



With two removable fascia panels. The panels are not pre-drilled or cut (for greater flexibility when fitting)

1.029 / 1.037		
Width	Depth	Height
600mm	305mm	800mm

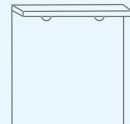
*Height excluding countertop and basin

Wall Cupboard



1.032 (reversible)		
Width	Depth	Height
300mm	176mm	700mm

Mirror & Cornice



With LED lamps and pull-cord operation

1.036 (mirror) / 1.204 (cornice)	
Width	Height
600mm	800mm

*Cornice sold separately

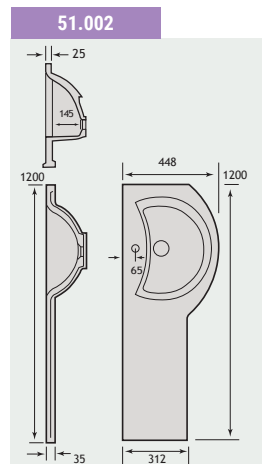
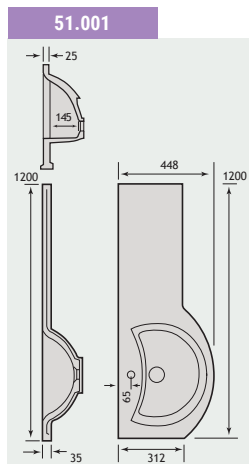
Extras

Description	Code	£ Ex VAT	£ Inc VAT
Trap for external overflow kit	7.0015	24.00	28.80
Flip Top Basin Waste - Unslotted	25.0005	19.00	22.80

Spares

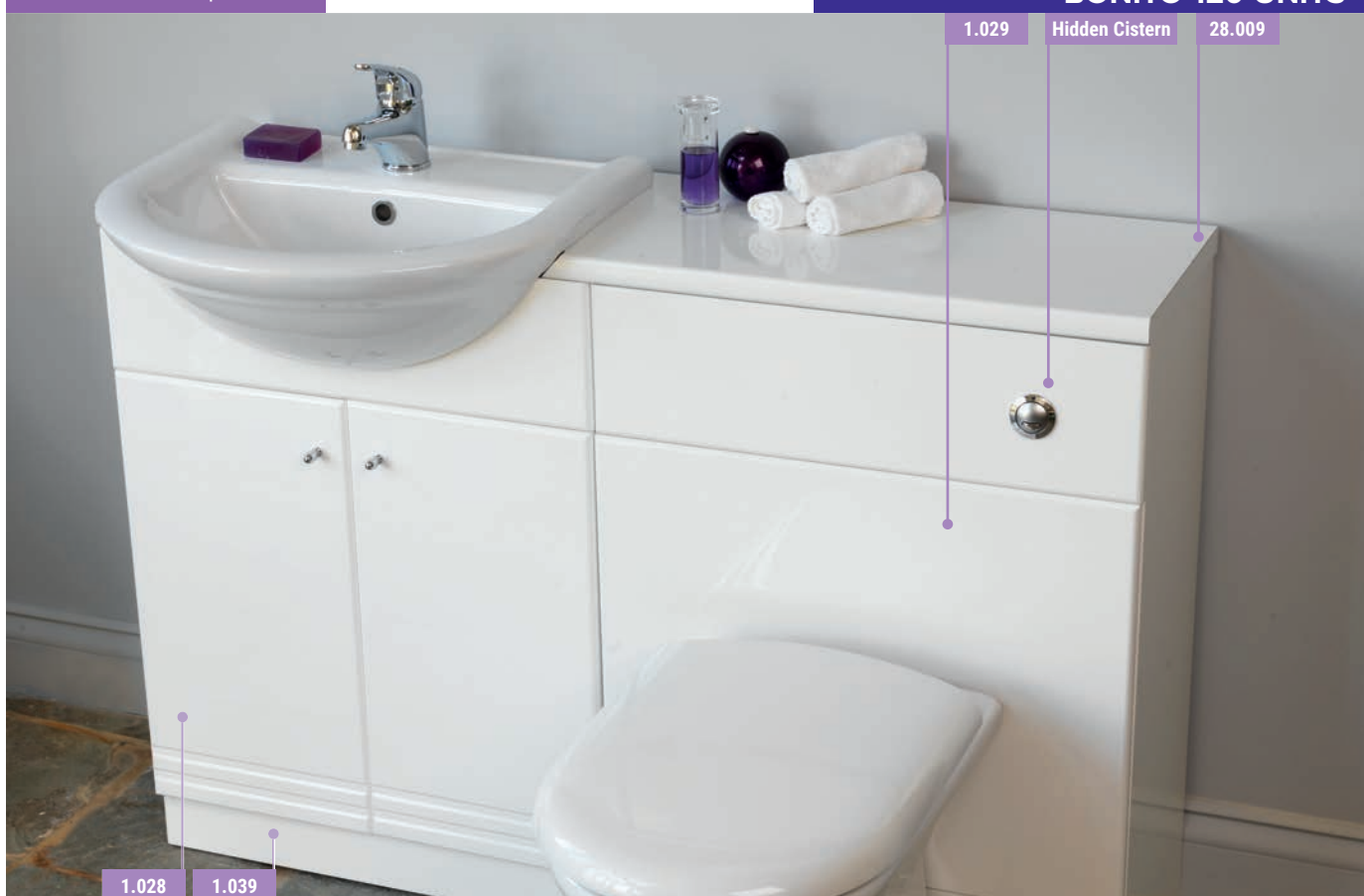
Description	Code	£ Ex VAT	£ Inc VAT
Bonito 60cm upper panel	1.043	95.00	114.00
Bonito 60cm Lower panel	1.044	95.00	114.00
Bonito/Madrid Handle	1.925	16.50	19.80

- FEATURES**
- Separate shaver socket
 - CAST MARBLE TOPS**
 - Made of 75% natural marble stone
 - Repairable if chipped
 - Seamless surface, easy to maintain



Bonito 120 Range

Bonito with laminate top



Bonito 120 White Gloss with laminate top. There are numerous combinations using laminate tops and optional 300mm left and right hand base units with corresponding 300mm wall cupboards.

We offer a wide range of other sanitaryware options to suit most tastes. Refer to the sanitaryware section for many different designs on back to wall WC pans and semi recessed basins.

Bonito Range Of Fitted Bathroom Furniture

Description	Code	£ Ex VAT	£ Inc VAT
Bonito 60cm basin unit **	1.028	305.00	366.00
Bonito 60cm WC unit **	1.029	338.00	405.60
Bonito 30cm RH base drawer unit	1.030	187.00	224.40
Bonito 30cm LH base drawer unit	1.031	187.00	224.40
Bonito 30cm wall unit - door	1.032	149.00	178.80
Bonito 60cm wall unit - door	1.034	258.00	309.60
Bonito 60cm mirror	1.036	150.00	180.00
Diamante 60cm Cornice	1.204	226.00	271.20
Bonito 30cm plinth (height 70mm)	1.011	20.00	24.00
Bonito 60cm plinth (height 70mm)	1.037	22.00	26.40
Bonito 90cm plinth (height 70mm)	1.038	24.00	28.80
Bonito 120cm plinth (height 70mm)	1.039	25.00	30.00
Bonito 150cm plinth (height 70mm)	1.040	29.00	34.80
Bonito 180cm plinth (height 70mm)	1.041	31.00	37.20
Plain infill panel 30 x 81cm	1.042	88.00	105.60
Vantage Plain Hidden Cistern CP Push Button	17.001	180.00	216.00
Eastbrook Jacket Hidden Cistern - Bottom Inlet	53.001	112.00	134.40
Vantage Hidden Cistern with Jacket	17.3029	207.00	248.40

NB White mirrors are supplied with chrome shrouds around LED lights. All handles chrome.**Plinth must be ordered separately.

Check List ✓

Units	Tops - cast (51.001/2) + (1.062)	Tops - semi recessed basin + (28.006/9/7/8)	Plinths	Hidden cistern	BTW pan	Taps	Cornice	Wall Cupboards
<input type="checkbox"/>	<input type="checkbox"/>	<input type="checkbox"/>	<input type="checkbox"/>	<input type="checkbox"/>	<input type="checkbox"/>	<input type="checkbox"/>	<input type="checkbox"/>	<input type="checkbox"/>

BONITO 120 UNITS

1.029 Hidden Cistern 28.009

Bonito WC Unit And White Gloss Top

Description	Code	£ Ex VAT	£ Inc VAT
Bonito 600mm MDF WC cover	1.063	69.00	82.80
Bonito 60cm WC unit	1.029	338.00	405.60
Bonito 60cm plinth (height 70mm)	1.037	22.00	26.40
Vantage Plain Hidden Cistern CP Push Button	17.001	180.00	216.00
Eastbrook Jacket Hidden Cistern - Bottom Inlet	53.001	112.00	134.40
Vantage Hidden Cistern with Jacket	17.3029	207.00	248.40

Laminate Tops: 28MM Thickness, Gloss White

Description	Code	£ Ex VAT	£ Inc VAT
Laminate Tops Gloss 1000 x 310 mm	28.006	73.00	87.60
Laminate Tops Gloss 1200 x 310mm	28.009	84.00	100.80
Laminate Tops Gloss 1500 x 310 mm	28.007	84.00	100.80
Laminate Tops Gloss 2000 x 310 mm	28.008	142.00	170.40



Bonito WC with White Gloss wooden top

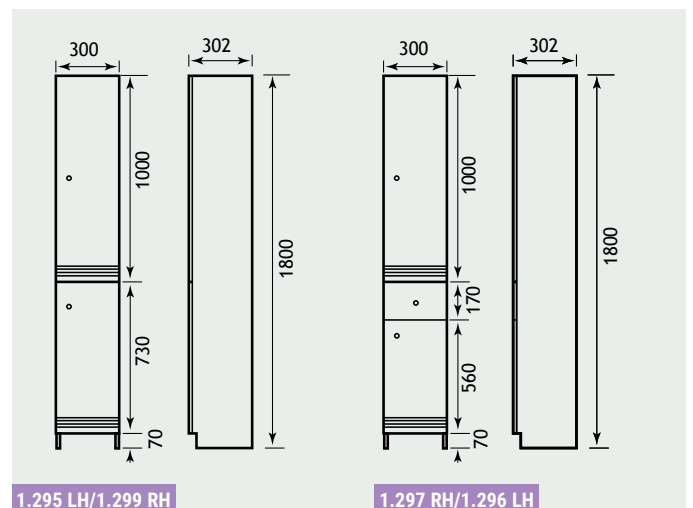
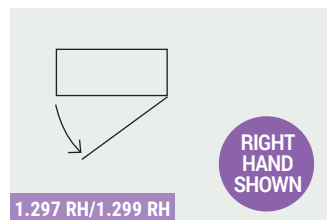
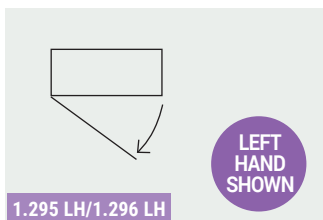
Bonito Slab Range

BONITO SLAB UNITS



Bonito Slab Tall Cupboard			
Description	Code	£ Ex VAT	£ Inc VAT
Bonito 30cm tall cupboard, 2 door with drawer LH*	1.296	444.00	532.80
Bonito 30cm tall cupboard, 2 door with drawer RH*	1.297	444.00	532.80
Bonito 30cm tall cupboard, 2 door LH*	1.295	404.00	484.80
Bonito 30cm tall cupboard, 2 door RH*	1.299	404.00	484.80

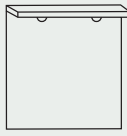
*Plinth must be ordered separately



Bonito Slab Range

WALL UNITS & MIRRORS

Mirror - 1.036
Cornice 1.204



FEATURES

- Separate shaver socket

Mirror (1.036) & CORNICE (1.204) with pull-cord operation


W: 600mm • H 700mm

Description	Code	£ Ex VAT	£ Inc VAT
Bonito 60cm mirror*	1.036	150.00	180.00
Diamante 60cm Cornice	1.204	226.00	271.20

*Cornice sold separately

*Mirror must be fitted with 1.204 cornice.

Wall Unit - 1.032



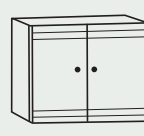
300mm WALL CUPBOARD (1.032) (reversible)

W: 300mm • D: 176mm • H: 700mm

Description	Code	£ Ex VAT	£ Inc VAT
Bonito 30cm wall unit - door	1.032	149.00	178.80

All handles chrome.

Wall Unit - 1.034



600mm WALL CUPBOARD (1.034) with two doors

W: 600mm • D: 176mm • H: 700mm

Description	Code	£ Ex VAT	£ Inc VAT
Bonito 60cm wall unit - door	1.034	258.00	309.60

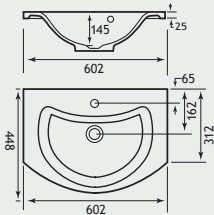
All handles chrome.

TOPS

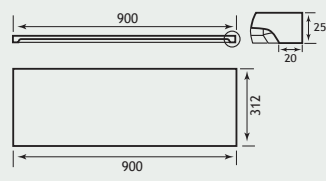
Description	Code	£ Ex VAT	£ Inc VAT
Bonito Single basin top	51.018	252.00	302.40
Bonito Slab top 600	51.021	123.00	147.60
Bonito Slab top 900	51.020	161.00	193.20
Bonito Slab top 1200	51.019	212.00	254.40
Trap for external overflow kit	7.0015	24.00	28.80
Flip Top Basin Waste - Unslotted	25.0005	19.00	22.80

*Due to depth of the waste area, the trap for external overflow kit & a flip top basin waste (unslotted) are recommended for installation.

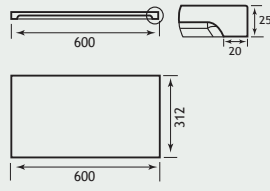
51.018



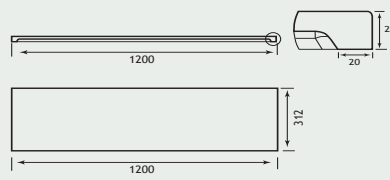
51.020



51.021



51.019

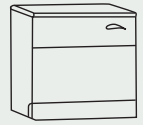


FEATURES - Cast Marble Tops

- Made of 75% natural marble stone
- Repairable if chipped
- Seamless surface, easy to maintain

BASE UNITS

Concealed Cistern WC Unit - 1.029



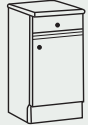
Concealed Cistern WC unit (1.029) with two removable fascia panels. The panels are not pre-drilled or cut (for greater flexibility when fitting)

W: 600mm • D 305mm • H 800mm**

Description	Code	£ Ex VAT	£ Inc VAT
Bonito 60cm base cupboard with drawer*	1.029	338.00	405.60

*Plinth must be ordered separately
**Excluding countertop and basin

Base Unit - 1.030/031



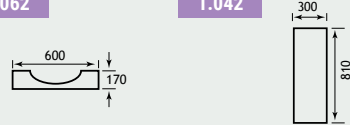
300mm Base Unit (1.030/031) with drawer (order LH or RH). All drawers have metal runners and all doors have metal adjustable hinges. RH shown

W: 300mm • D 305mm • H 800mm**

Description	Code	£ Ex VAT	£ Inc VAT
Bonito 30cm RH base drawer unit*	1.030	187.00	224.40
Bonito 30cm LH base drawer unit*	1.031	187.00	224.40

*Plinth must be ordered separately
**Height measurement excluding countertop

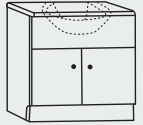
1.062 1.042



Cast Panel & Plain Infill

Description	Code	£ Ex VAT	£ Inc VAT
Bonito cast cut out panel	1.062	36.00	43.20
Plain infill panel 30 x 81cm	1.042	88.00	105.60

Basin Unit - 1.028




Upper panel is supplied uncut (for semi recessed basin).

W: 600mm • D 305mm • H 800mm**

Description	Code	£ Ex VAT	£ Inc VAT
Bonito 60cm basin unit*	1.028	305.00	366.00

*Plinth must be ordered separately
**Height measurement excluding countertop

Base Unit - 1.298



W: 600mm • D 305mm • H 800mm**

Description	Code	£ Ex VAT	£ Inc VAT
Bonito 60cm base cupboard with drawer*	1.298	313.00	375.60

*Plinth must be ordered separately
**Height measurement excluding countertop

Extras

Description	Code	£ Ex VAT	£ Inc VAT
Vantage Plain Hidden Cistern CP Push Button	17.001	180.00	216.00
Eastbrook Jacket Hidden Cistern - Bottom Inlet	53.001	112.00	134.40
Vantage Hidden Cistern with Jacket	17.3029	207.00	248.40

Plinths

Description	Code	£ Ex VAT	£ Inc VAT
30cm plinth (height 70mm)	1.011	20.00	24.00
60cm plinth (height 70mm)	1.037	22.00	26.40
90cm plinth (height 70mm)	1.038	24.00	28.80
120cm plinth (height 70mm)	1.039	25.00	30.00
150cm plinth (height 70mm)	1.040	29.00	34.80
180cm plinth (height 70mm)	1.041	31.00	37.20

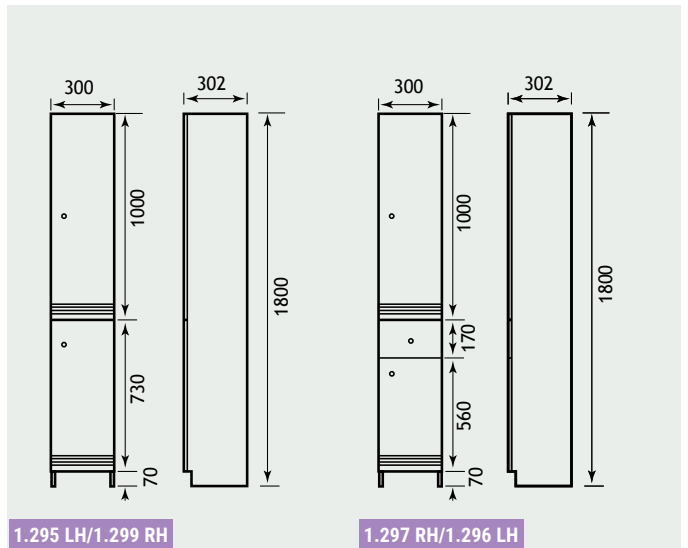
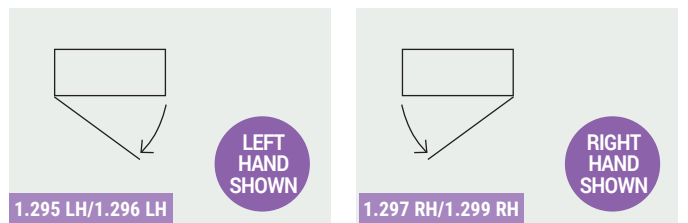
Bonito Slab Range

BONITO SLAB UNITS



Description	Code	£ Ex VAT	£ Inc VAT
Bonito 30cm tall cupboard, 2 door with drawer LH*	1.296	444.00	532.80
Bonito 30cm tall cupboard, 2 door with drawer RH*	1.297	444.00	532.80
Bonito 30cm tall cupboard, 2 door LH*	1.295	404.00	484.80
Bonito 30cm tall cupboard, 2 door RH*	1.299	404.00	484.80

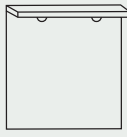
*Plinth must be ordered separately



Bonito Slab Range

WALL UNITS & MIRRORS

Mirror - 1.036
Cornice 1.204



FEATURES

- Separate shaver socket

Mirror (1.036) & CORNICE (1.204) with pull-cord operation


W: 600mm • H 700mm

Description	Code	£ Ex VAT	£ Inc VAT
Bonito 60cm mirror*	1.036	150.00	180.00
Diamante 60cm Cornice	1.204	226.00	271.20

*Cornice sold separately

*Mirror must be fitted with 1.204 cornice.

Wall Unit - 1.032



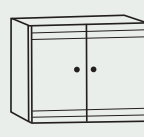
300mm WALL CUPBOARD (1.032) (reversible)

W: 300mm • D: 176mm • H: 700mm

Description	Code	£ Ex VAT	£ Inc VAT
Bonito 30cm wall unit - door	1.032	149.00	178.80

All handles chrome.

Wall Unit - 1.034



600mm WALL CUPBOARD (1.034) with two doors

W: 600mm • D: 176mm • H: 700mm

Description	Code	£ Ex VAT	£ Inc VAT
Bonito 60cm wall unit - door	1.034	258.00	309.60

All handles chrome.

TOPS

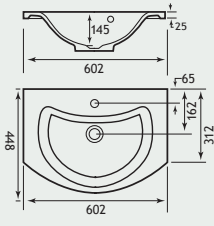
Description	Code	£ Ex VAT	£ Inc VAT
Bonito Single basin top	51.018	252.00	302.40
Bonito Slab top 600	51.021	123.00	147.60
Bonito Slab top 900	51.020	161.00	193.20
Bonito Slab top 1200	51.019	212.00	254.40
Trap for external overflow kit	7.0015	24.00	28.80
Flip Top Basin Waste - Unslotted	25.0005	19.00	22.80

*Due to depth of the waste area, the trap for external overflow kit & a flip top basin waste (unslotted) are recommended for installation.

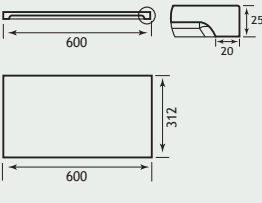
FEATURES - Cast Marble Tops

- Made of 75% natural marble stone
- Repairable if chipped
- Seamless surface, easy to maintain

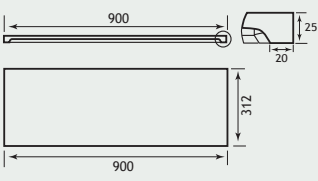
51.018



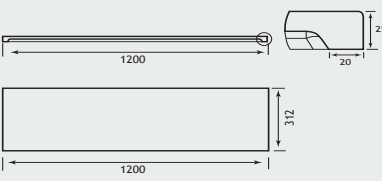
51.021



51.020

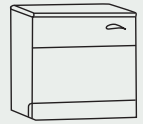


51.019



BASE UNITS

Concealed Cistern
WC Unit - 1.029



Concealed Cistern WC unit (1.029) with two removable fascia panels. The panels are not pre-drilled or cut (for greater flexibility when fitting)

W: 600mm • D 305mm • H 800mm**

Description	Code	£ Ex VAT	£ Inc VAT
Bonito 60cm WC unit*	1.029	338.00	405.60

*Plinth must be ordered separately

**Excluding countertop and basin

Base Unit - 1.030/031



300mm Base Unit (1.030/031) with drawer (order LH or RH). All drawers have metal runners and all doors have metal adjustable hinges. RH shown

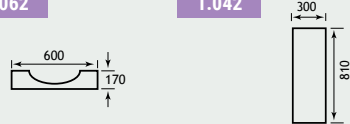
W: 300mm • D 305mm • H 800mm**

Description	Code	£ Ex VAT	£ Inc VAT
Bonito 30cm RH base drawer unit*	1.030	187.00	224.40
Bonito 30cm LH base drawer unit*	1.031	187.00	224.40

*Plinth must be ordered separately

**Height measurement excluding countertop

1.062 1.042



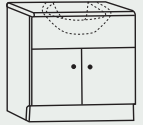
Cast Panel & Plain Infill

Description	Code	£ Ex VAT	£ Inc VAT
Bonito cast cut out panel	1.062	36.00	43.20
Plain infill panel 30 x 81cm	1.042	88.00	105.60

Extras

Description	Code	£ Ex VAT	£ Inc VAT
Vantage Plain Hidden Cistern CP Push Button	17.001	180.00	216.00
Eastbrook Jacket Hidden Cistern - Bottom Inlet	53.001	112.00	134.40
Vantage Hidden Cistern with Jacket	17.3029	207.00	248.40

Basin Unit - 1.028



Upper panel is supplied uncut (for semi recessed basin).


W: 600mm • D 305mm • H 800mm**

Description	Code	£ Ex VAT	£ Inc VAT
Bonito 60cm basin unit*	1.028	305.00	366.00

*Plinth must be ordered separately

**Height measurement excluding countertop

Base Unit - 1.298



W: 600mm • D 305mm • H 800mm**

Description	Code	£ Ex VAT	£ Inc VAT
Bonito 60cm base cupboard with drawer*	1.298	313.00	375.60

*Plinth must be ordered separately

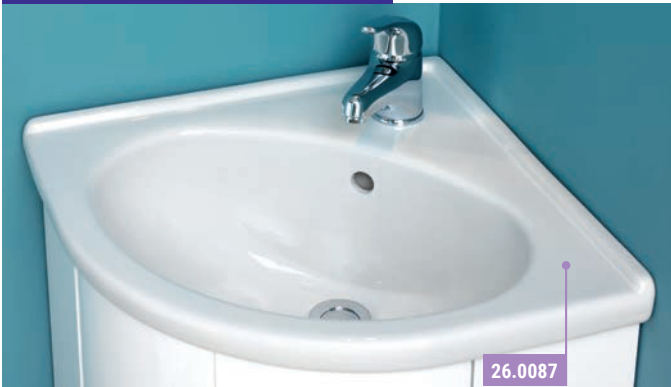
**Height measurement excluding countertop

Plinths

Description	Code	£ Ex VAT	£ Inc VAT
30cm Plinth (height 70mm)	1.011	20.00	24.00
60cm plinth (height 70mm)	1.037	22.00	26.40
90cm plinth (height 70mm)	1.038	24.00	28.80
120cm plinth (height 70mm)	1.039	25.00	30.00
150cm plinth (height 70mm)	1.040	29.00	34.80
180cm plinth (height 70mm)	1.041	31.00	37.20

Bonito Corner Unit Range

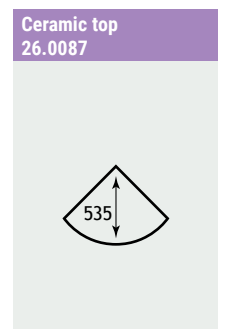
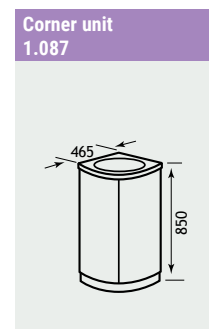
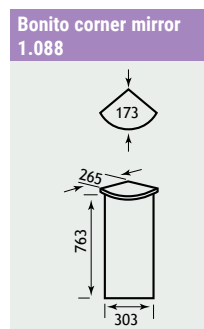
BONITO CORNER UNITS



Bonito Corner Unit			
Description	Code	£ Ex VAT	£ Inc VAT
Bonito Corner unit base only	1.087	370.00	444.00
Bonito corner ceramic top 1TH White	26.0087	158.00	189.60
Biava Hi.Flow Basin Mono	93.0052	104.00	124.80
Option 1			
Corner mirror cupboard carcass	1.000	250.00	300.00
Corner cupboard light cornice	1.002	103.00	123.60
Option 2			
Bonito Corner mirror with light	1.088	201.00	241.20

*Can be handed left or right.

All you will ever need for the perfect corner solution. Each style is finished in White Gloss with a solid ceramic top. Both the corner cupboard and corner mirror have a light cornice with a single LED lamp, operated by a pull-cord.



CASTILLA 50, 60 AND 80 DRAWER UNIT



1.282 Unit & 51.032 Basin



1.282 Unit & 51.033 Basin



1.282 Unit & 51.029 Basin



1.282 Unit & 51.030 Basin



1.282 Unit & 51.031 Basin

Castilla 50, 60 And 80 Drawer Unit

Description	Code	£ Ex VAT	£ Inc VAT
Castilla 50 drawer unit	1.286	336.00	403.20
Castilla 60 Drawer Unit	1.282	368.00	441.60
Castilla 80 Drawer Unit	1.283	440.00	528.00

Sit On Basins

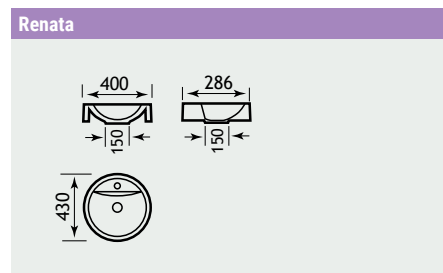
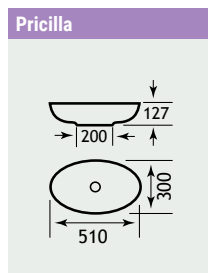
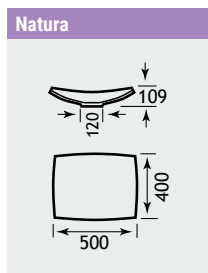
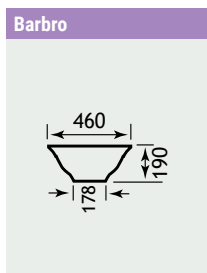
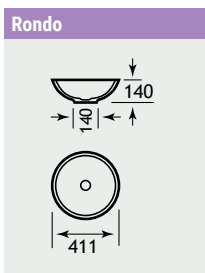
Description	Code	£ Ex VAT	£ Inc VAT
Renata sit on basin 430	51.029	182.00	218.40
Natura sit on basin 500x400	51.030	202.00	242.40
Pricilla sit on basin 510x300	51.031	202.00	242.40
Rondo sit on basin 412	51.032	202.00	242.40
Barbro sit on basin 460	51.033	304.00	364.80

FEATURES

- Soft close system on drawer

FEATURES - Sit On Basins

- Made of 75% natural marble stone
- Repairable if chipped
- Seamless surface, easy to maintain



Cavone Cloakroom Unit Range

CAVONE CLOAKROOM DOOR UNITS

NEW

Matt Grey

Colour No.1

Gloss White

Colour No.2



36.0081 (50cm Unit)

Matt Grey colour shown in images are subject to the limitations of the printing process and may appear different.

Our newly designed Cavone Cloakroom bathroom furniture features a luxurious curved basin that flows perfectly with the curved lines of the doors of the vanity unit.

FEATURES

- Soft close system on door
- Curved door design
- Interchangeable chrome or black handles
- Built in internal overflow as standard

FEATURES - BASIN TOPS

- Polymarble basin predrilled with 1 tap hole
- A modern seamless one-piece basin
- Curved basin design

Cavone Cloakroom Unit Range

40 CM UNIT



CAVONE CLOAKROOM DOOR UNITS

50 CM UNIT

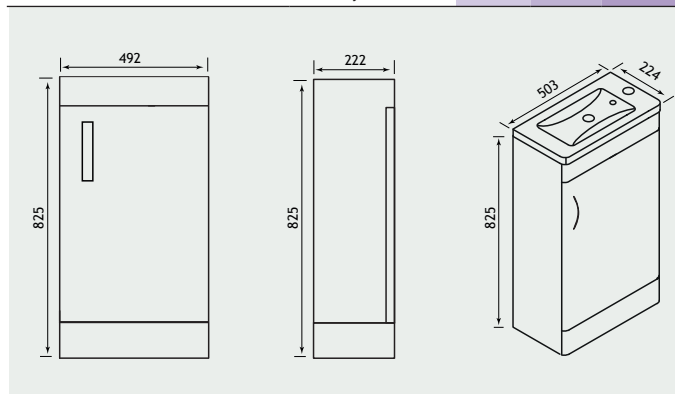
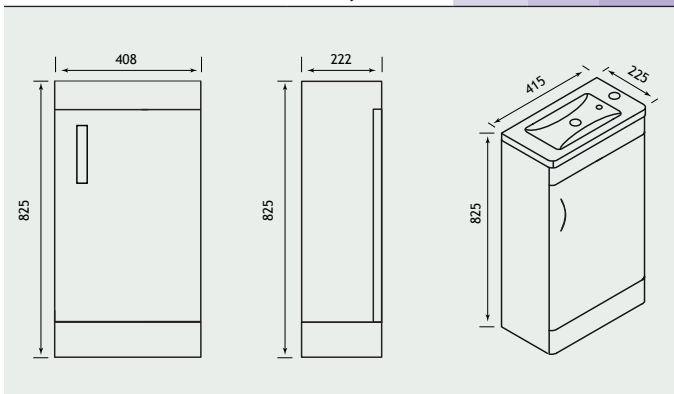


Cavone 40cm Cloakroom Door Unit

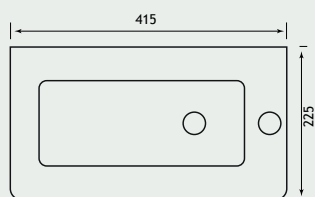
Description	Colour	Code	£ Ex VAT	£ Inc VAT
40cm Cloakroom Door Unit	White Gloss	36.0076	272.00	326.40
40cm Cloakroom Door Unit	Matt Grey	36.0074	272.00	326.43

Cavone 50cm Cloakroom Door Unit

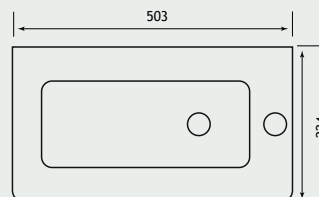
Description	Colour	Code	£ Ex VAT	£ Inc VAT
50cm Cloakroom Door Unit	White Gloss	36.0081	305.00	366.00
50cm Cloakroom Door Unit	Matt Grey	36.0079	305.00	366.00



40 CM UNIT BASINS



50 CM UNIT BASINS



Cavone 40cm Cloakroom Basins

Description	Colour	Code	£ Ex VAT	£ Inc VAT
40cm Cloakroom Cavone Basin	White	36.0073	95.00	114.00

Cavone 50cm Cloakroom Basins

Description	Colour	Code	£ Ex VAT	£ Inc VAT
50cm Cloakroom Cavone Basin	White	36.0078	101.00	121.20

EXTRAS



36.0071



52.312

Cloakroom Cavone Extras

Description	Colour	Code	£ Ex VAT	£ Inc VAT
Cavone Handle (Each)	Smooth Black	36.0071	6.00	7.20
Vercelli Glass Shelf (600x119)	Chrome	52.312	102.00	122.40

EXTRAS



93.0019



93.0010

Cloakroom Cavone Extras

Description	Colour	Code	£ Ex VAT	£ Inc VAT
Helston Basin Mono (inc waste)	Smooth Black	93.0019	126.00	151.20
Helston Basin Mono (inc waste)	Chrome	93.0010	115.00	138.00

Cavone Cloakroom Unit Range

CAVONE CLOAKROOM WALL HUNG DOOR UNITS



NEW

Matt Grey
Colour No.1

Gloss White
Colour No.2

Matt Grey colour shown in images are subject to the limitations of the printing process and may appear different.

36.0080 (50cm Unit)

Our newly designed Cavone Cloakroom bathroom furniture features a luxurious curved basin that flows perfectly with the curved lines of the doors of the vanity unit.

FEATURES

- Soft close system on door
- Curved door design
- Interchangeable chrome or black handles
- Built in internal overflow as standard

FEATURES - BASIN TOPS

- Polymarble basin predrilled with 1 tap hole
- A modern seamless one-piece basin
- Curved basin design

Cavone Cloakroom Unit Range

CAVONE CLOAKROOM WALL HUNG DOOR UNITS

40 CM UNIT

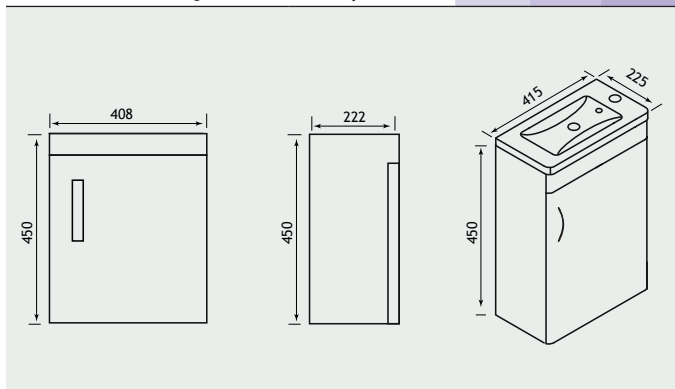


50 CM UNIT



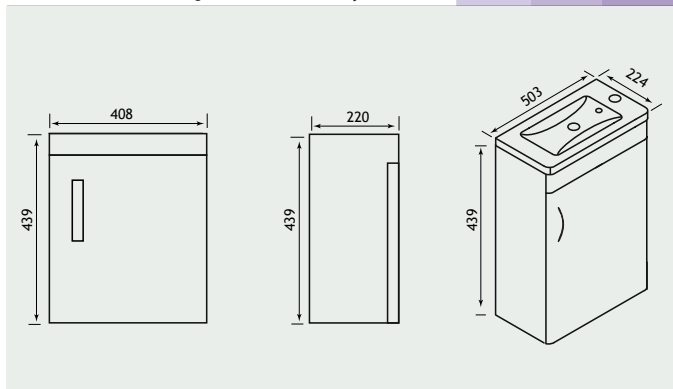
Cavone 40cm Cloakroom Wall Hung Door Unit

Description	Colour	Code	£ Ex VAT	£ Inc VAT
40cm Cloakroom Wall Hung Unit	White Gloss	36.0077	197.00	236.40
40cm Cloakroom Wall Hung Unit	Matt Grey	36.0075	197.00	236.40

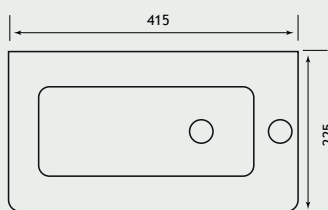


Cavone 50cm Cloakroom Wall Hung Door Unit

Description	Colour	Code	£ Ex VAT	£ Inc VAT
50cm Cloakroom Wall Hung Unit	White Gloss	36.0082	226.00	271.20
50cm Cloakroom Wall Hung Unit	Matt Grey	36.0080	227.00	272.40



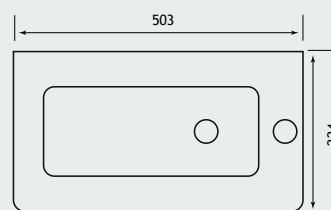
40 CM UNIT BASINS



Cavone 40cm Cloakroom Basins

Description	Colour	Code	£ Ex VAT	£ Inc VAT
40cm Cloakroom Cavone Basin	White	36.0073	95.00	114.00

50 CM UNIT BASINS



Cavone 50cm Cloakroom Basins

Description	Colour	Code	£ Ex VAT	£ Inc VAT
50cm Cloakroom Cavone Basin	White	36.0078	101.00	121.20

EXTRAS



36.0071



52.302

Cloakroom Cavone Extras

Description	Colour	Code	£ Ex VAT	£ Inc VAT
Cavone Handle (Each)	Smooth Black	36.0071	6.00	7.20
Vercelli Toilet Roll Holder Shelf	Chrome/Leather	52.302	104.00	124.80

EXTRAS



93.0019



93.0010

Cloakroom Cavone Extras

Description	Colour	Code	£ Ex VAT	£ Inc VAT
Helston Basin Mono (inc waste)	Smooth Black	93.0019	126.00	151.20
Helston Basin Mono (inc waste)	Chrome	93.0010	115.00	138.00

Cavone Cabinet Range

CAVONE DOOR BASE CABINET



Matt Grey
Colour No.1

Gloss White
Colour No.2

Matt Grey colour shown in images are subject to the limitations of the printing process and may appear different.

36.0048

Our newly designed Cavone bathroom furniture features a luxurious curved basin that flows perfectly with the curved lines of the doors of the vanity unit.

FEATURES

- Soft close system on doors
- Curved door design
- Interchangeable chrome or black handles
- Built in internal overflow as standard

FEATURES - BASIN TOPS

- Polymarble basin predrilled with 1 tap hole
- A modern seamless one-piece basin
- Curved basin design

Cavone Cabinet Range

CAVONE DOOR BASE CABINET

50 CM UNIT



60 CM UNIT



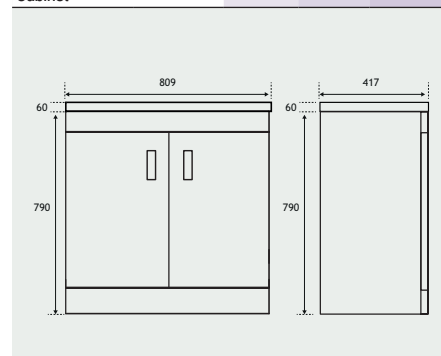
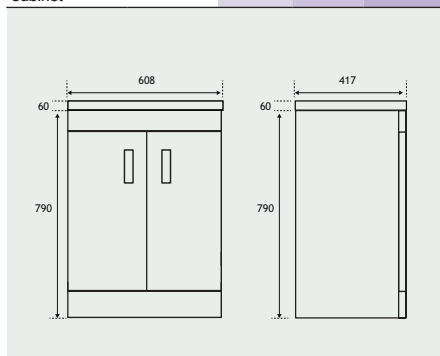
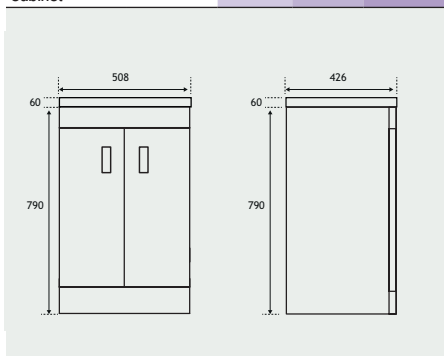
80 CM UNIT



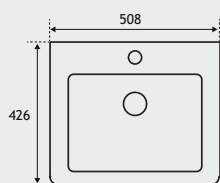
Cavone 50cm Door Cabinet				
Description	Colour	Code	£ Ex VAT	£ Inc VAT
50cm Door Cabinet	White Gloss	36.0042	422.00	506.40
50cm Door Cabinet	Matt Grey	36.0043	422.00	506.40

Cavone 60cm Door Cabinet				
Description	Colour	Code	£ Ex VAT	£ Inc VAT
60cm Door Cabinet	White Gloss	36.0047	478.00	573.60
60cm Door Cabinet	Matt Grey	36.0048	478.00	573.60

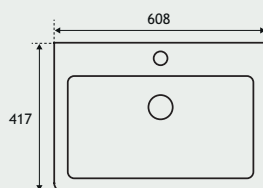
Cavone 80cm Door Cabinet				
Description	Colour	Code	£ Ex VAT	£ Inc VAT
80cm Door Cabinet	White Gloss	36.0052	571.00	685.20
80cm Door Cabinet	Matt Grey	36.0053	571.00	685.20



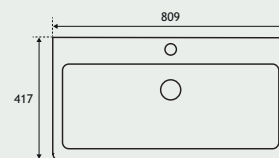
50 CM UNIT BASIN



60 CM UNIT BASIN



80 CM UNIT BASIN



Cavone 50cm Basin				
Description	Colour	Code	£ Ex VAT	£ Inc VAT
50cm Cavone Basin	White	36.0031	147.00	176.40

Cavone 60cm Basin				
Description	Colour	Code	£ Ex VAT	£ Inc VAT
60cm Cavone Basin	White	36.0036	160.00	192.00

Cavone 80cm Basin				
Description	Colour	Code	£ Ex VAT	£ Inc VAT
80cm Cavone Basin	White	36.0041	192.00	230.40

EXTRAS



36.0071



52.302

Cloakroom Cavone Extras

Description	Colour	Code	£ Ex VAT	£ Inc VAT
Cavone Handle (Each)	Smooth Black	36.0071	6.00	7.20
Vercelli Toilet Roll Holder Shelf	Chrome/Leather	52.302	104.00	124.80



93.0019



93.0010

Cloakroom Cavone Extras

Description	Colour	Code	£ Ex VAT	£ Inc VAT
Helston Basin Mono (inc waste)	Smooth Black	93.0019	126.00	151.20
Helston Basin Mono (inc waste)	Chrome	93.0010	115.00	138.00

EXTRAS

Cavone Unit Range

CAVONE DRAWER BASE CABINET



Matt Grey colour shown in images are subject to the limitations of the printing process and may appear different.

36.0055

Our newly designed Cavone bathroom furniture features a luxurious curved basin that flows perfectly with the curved lines of the drawers of the vanity unit.

FEATURES

- Soft close system on drawers
- Curved door design
- Interchangeable chrome or black handles
- Built in internal overflow as standard

FEATURES - BASIN TOPS

- Polymarble basin predrilled with 1 tap hole
- A modern seamless one-piece basin
- Curved basin design

Cavone Unit Range

CAVONE DRAWER BASE CABINET

50 CM UNIT



60 CM UNIT



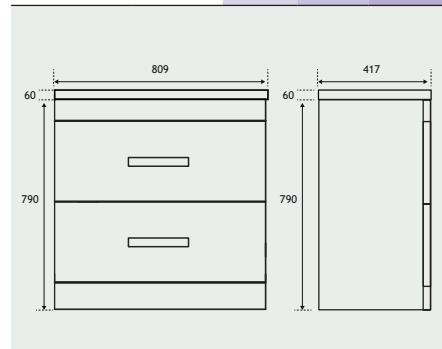
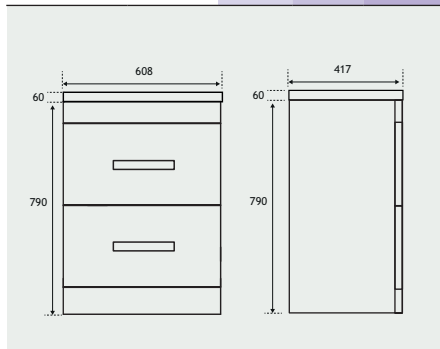
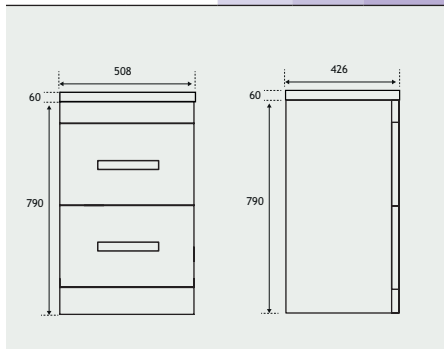
80 CM UNIT



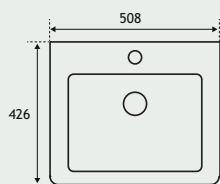
Cavone 50cm Drawer Cabinet				
Description	Colour	Code	£ Ex VAT	£ Inc VAT
50cm Drawer Cabinet	White Gloss	36.0044	505.00	606.00
50cm Drawer Cabinet	Matt Grey	36.0045	505.00	606.00

Cavone 60cm Drawer Cabinet				
Description	Colour	Code	£ Ex VAT	£ Inc VAT
60cm Drawer Cabinet	White Gloss	36.0049	557.00	668.40
60cm Drawer Cabinet	Matt Grey	36.0050	557.00	668.40

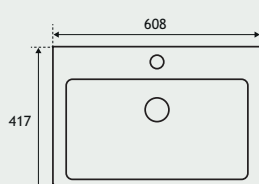
Cavone 80cm Drawer Cabinet				
Description	Colour	Code	£ Ex VAT	£ Inc VAT
80cm Drawer Cabinet	White Gloss	36.0054	655.00	786.00
80cm Drawer Cabinet	Matt Grey	36.0055	655.00	786.00



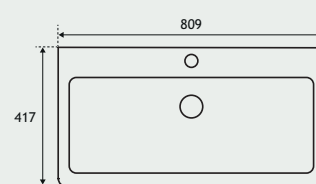
50 CM UNIT BASIN



60 CM UNIT BASIN



80 CM UNIT BASIN



Cavone 50cm Basin				
Description	Colour	Code	£ Ex VAT	£ Inc VAT
50cm Cavone Basin	White	36.0031	147.00	176.40

Cavone 60cm Basin				
Description	Colour	Code	£ Ex VAT	£ Inc VAT
60cm Cavone Basin	White	36.0036	160.00	192.00

Cavone 80cm Basin				
Description	Colour	Code	£ Ex VAT	£ Inc VAT
80cm Cavone Basin	White	36.0041	192.00	230.40

EXTRAS



36.0071



52.307

Cloakroom Cavone Extras

Description	Colour	Code	£ Ex VAT	£ Inc VAT
Cavone Handle (Each)	Smooth Black	36.0071	6.00	7.20
Vercelli Soap Dish Holder	Chrome	52.307	37.00	44.40



93.0019



93.0010

Cloakroom Cavone Extras

Description	Colour	Code	£ Ex VAT	£ Inc VAT
Helston Basin Mono (inc waste)	Smooth Black	93.0019	126.00	151.20
Helston Basin Mono (inc waste)	Chrome	93.0010	115.00	138.00

EXTRAS

Cavone Unit Range

CAVONE WALL HUNG DOOR CABINET



Matt Grey colour shown in images are subject to the limitations of the printing process and may appear different.

36.0037

Our newly designed Cavone bathroom furniture features a luxurious curved basin that flows perfectly with the curved lines of the drawers of the vanity unit.

FEATURES

- Soft close system on doors
- Curved door design
- Interchangeable chrome or black handles
- Built in internal overflow as standard

FEATURES - BASIN TOPS

- Polymarble basin pre-drilled with 1 tap hole
- A modern seamless one-piece basin
- Curved basin design

Cavone Unit Range

CAVONE WALL HUNG DOOR CABINET

50 CM UNIT



60 CM UNIT



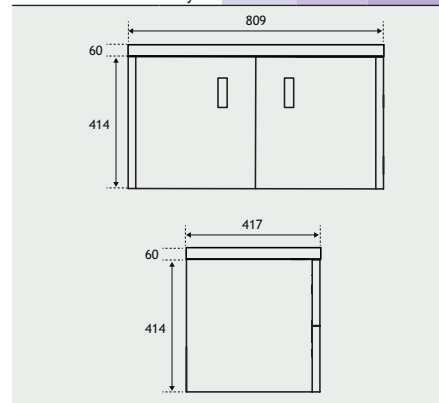
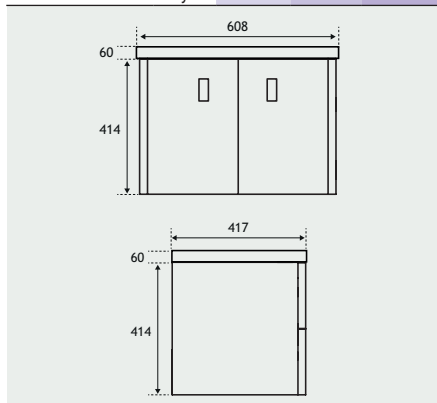
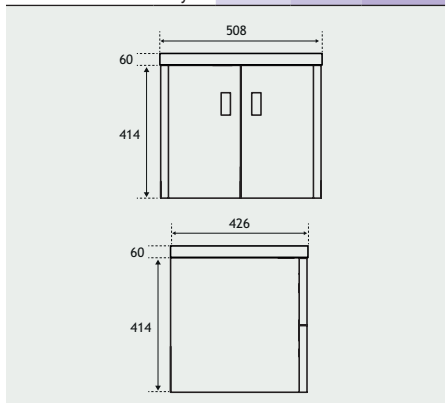
80 CM UNIT



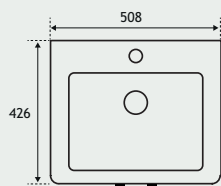
Cavone 50cm Wall Hung Door Cabinet				
Description	Colour	Code	£ Ex VAT	£ Inc VAT
50cm Wall Hung Door Cabinet	White Gloss	36.0027	284.00	340.80
50cm Wall Hung Door Cabinet	Matt Grey	36.0028	284.00	340.80

Cavone 60cm Wall Hung Door Cabinet				
Description	Colour	Code	£ Ex VAT	£ Inc VAT
60cm Wall Hung Door Cabinet	White Gloss	36.0032	319.00	382.80
60cm Wall Hung Door Cabinet	Matt Grey	36.0033	319.00	382.80

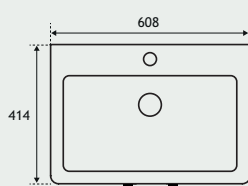
Cavone 80cm Wall Hung Door Cabinet				
Description	Colour	Code	£ Ex VAT	£ Inc VAT
80cm Wall Hung Door Cabinet	White Gloss	36.0037	374.00	448.80
80cm Wall Hung Door Cabinet	Matt Grey	36.0038	374.00	448.80



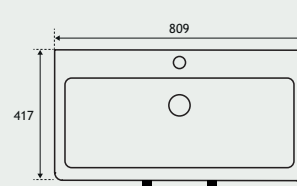
50 CM UNIT BASIN



60 CM UNIT BASIN



80 CM UNIT BASIN



Cavone 50cm Basin				
Description	Colour	Code	£ Ex VAT	£ Inc VAT
50cm Cavone Basin	White	36.0031	147.00	176.40

Cavone 60cm Basin				
Description	Colour	Code	£ Ex VAT	£ Inc VAT
60cm Cavone Basin	White	36.0036	160.00	192.00

Cavone 80cm Basin				
Description	Colour	Code	£ Ex VAT	£ Inc VAT
80cm Cavone Basin	White	36.0041	192.00	230.40

EXTRAS



36.0071



52.114

Cloakroom Cavone Extras

Description	Colour	Code	£ Ex VAT	£ Inc VAT
Cavone Handle (Each)	Smooth Black	36.0071	6.00	7.20
Metal Towel Ring	Chtome	52.114	39.00	46.80



93.0019



79.1034

Cloakroom Cavone Extras

Description	Colour	Code	£ Ex VAT	£ Inc VAT
Helston Basin Mono (inc waste)	Smooth Black	93.0019	126.00	151.20
Abberton Basin Mono with Waste	Chrome	79.1034	83.00	99.60

EXTRAS

Cavone Unit Range

CAVONE WALL HUNG DRAWER CABINET



40.1013

36.0040 (80cm)

Matt Grey colour shown in images are subject to the limitations of the printing process and may appear different.

Our newly designed Cavone bathroom furniture features a luxurious curved basin that flows perfectly with the curved lines of the drawers of the vanity unit.

FEATURES

- Soft close system on drawers
- Curved draw design
- Interchangeable chrome or black handles
- Built in internal overflow as standard

FEATURES - BASIN TOPS

- Polymarble basin pre-drilled with 1 tap hole
- A modern seamless one-piece basin
- Curved basin design

Cavone Unit Range

CAVONE WALL HUNG DRAWER CABINET

50 CM UNIT



60 CM UNIT



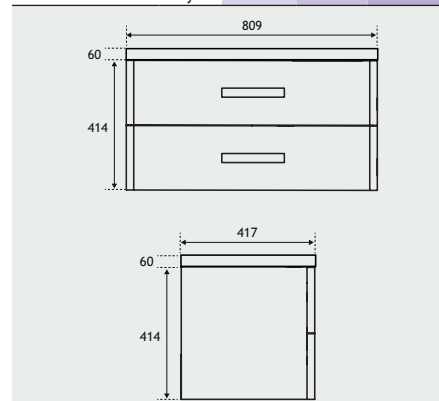
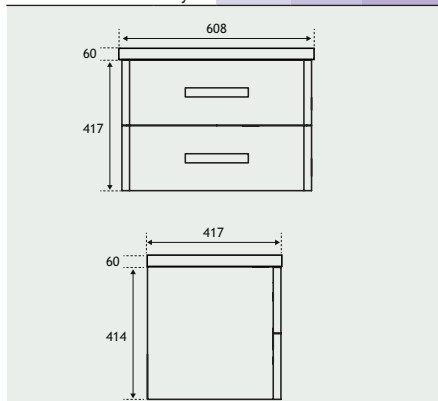
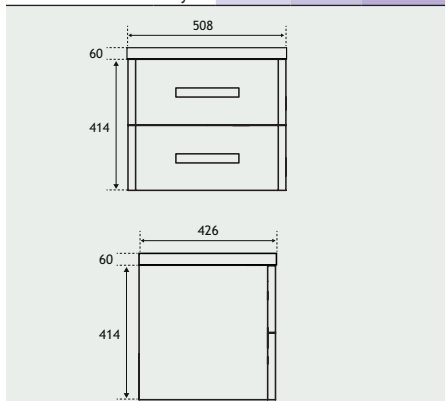
80 CM UNIT



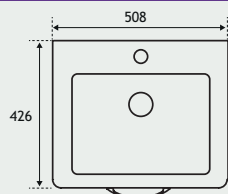
Cavone 50cm Wall Hung Drawer Cabinet				
Description	Colour	Code	£ Ex VAT	£ Inc VAT
50cm Wall Hung Drawer Cabinet	White Gloss	36.0029	367.00	440.40
50cm Wall Hung Drawer Cabinet	Matt Grey	36.0030	367.00	440.40

Cavone 60cm Wall Hung Drawer Cabinet				
Description	Colour	Code	£ Ex VAT	£ Inc VAT
60cm Wall Hung Drawer Cabinet	White Gloss	36.0034	395.00	474.00
60cm Wall Hung Drawer Cabinet	Matt Grey	36.0035	395.00	474.00

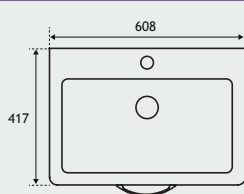
Cavone 80cm Wall Hung Drawer Cabinet				
Description	Colour	Code	£ Ex VAT	£ Inc VAT
80cm Wall Hung Drawer Cabinet	White Gloss	36.0039	447.00	536.40
80cm Wall Hung Drawer Cabinet	Matt Grey	36.0040	447.00	536.40



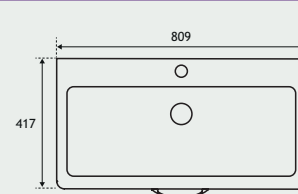
50 CM UNIT BASIN



60 CM UNIT BASIN



80 CM UNIT BASIN



Cavone 50cm Basin				
Description	Colour	Code	£ Ex VAT	£ Inc VAT
50cm Cavone Basin	White	36.0031	147.00	176.40

Cavone 60cm Basin				
Description	Colour	Code	£ Ex VAT	£ Inc VAT
60cm Cavone Basin	White	36.0036	160.00	192.00

Cavone 80cm Basin				
Description	Colour	Code	£ Ex VAT	£ Inc VAT
80cm Cavone Basin	White	36.0041	192.00	230.40

EXTRAS



36.0071



52.307

Cloakroom Cavone Extras

Description	Colour	Code	£ Ex VAT	£ Inc VAT
Cavone Handle (Each)	Smooth Black	36.0071	6.00	7.20
Vercelli Soap Dish Holder	Chrome	52.307	37.00	44.40



93.0019



93.0010

Cloakroom Cavone Extras

Description	Colour	Code	£ Ex VAT	£ Inc VAT
Helston Basin Mono (inc waste)	Smooth Black	93.0019	126.00	151.20
Helston Basin Mono (inc waste)	Chrome	93.0010	115.00	138.00

EXTRAS

Cavone WC Unit

CAVONE WC UNITS

NEW



36.0092 Cavone WC Unit 60cm (Left) Toilet Pan for illustration purposes only

36.0050 Cavone Drawer Cabinet 60cm (Right)

Our newly designed Cavone WC Unit features a the same luxurious curved corners, same colours and modern feel as its matching Cavone Vanity Units.

FEATURES

- Delivered to you fully assembled.
- High quality Matt Grey & White finishes - exact match to Vanity Units.
- Seamless surface easy to maintain.
- Hidden cistern sold separately.
- Supplied complete with plinth & top.
- Available in 50cm and 60cm widths

Cavone WC Unit

CAVONE WC UNITS

50 CM UNIT

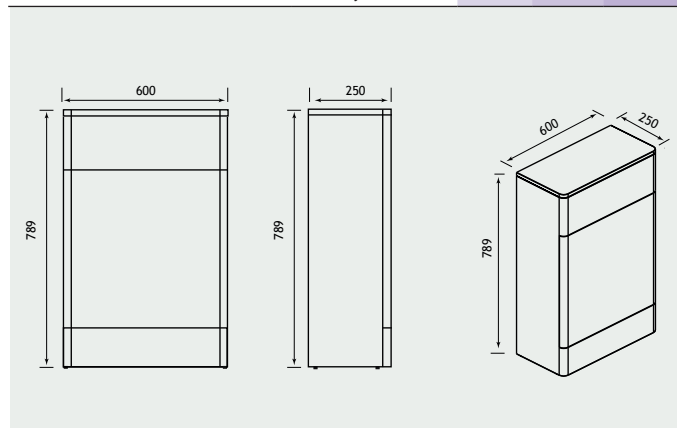
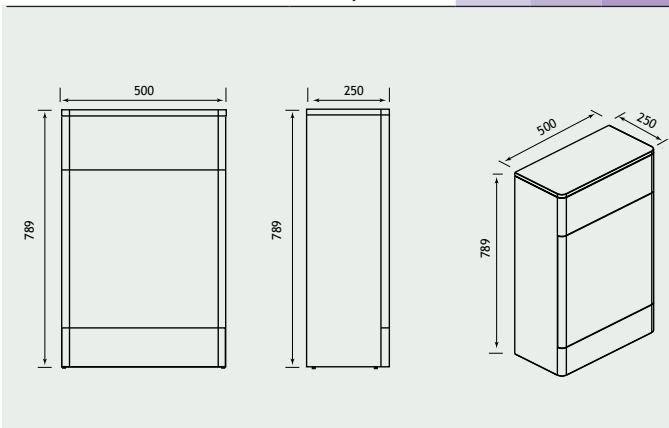


60 CM UNIT



Cavone 50cm WC Units				
Description	Colour	Code	£ Ex VAT	£ Inc VAT
50cm Cavone WC Unit	White Gloss	36.0089	271.00	325.20
50cm Cavone WC Unit	Matt Grey	36.0090	271.00	325.20

Cavone 60cm WC Units				
Description	Colour	Code	£ Ex VAT	£ Inc VAT
60cm Cavone WC Unit	White Gloss	36.0091	293.00	351.60
60cm Cavone WC Unit	Matt Grey	36.0092	293.00	351.60



36.0089 Cavone WC Unit 50cm (Left) Toilet Pan for illustration purposes only



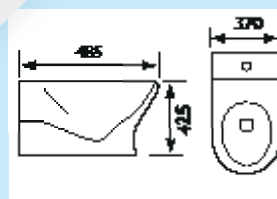
36.0079 Cavone Cloakroom Cabinet 60cm (Right)

COMPLETE THE LOOK



26.0042

26.0041



Northall BTW Pan			
Description	Code	£ Ex VAT	£ Inc VAT
Northall BTW Rimless Pan	26.0041	273.00	327.60
Northall Soft Close Seat	26.0042	97.00	116.40
Northall/Farringdon Wrap Over Soft Close Seat	26.0056	74.00	88.80

Diamante 110 Furniture

DIAMANTE 110



Similar in design to the Bonito 120, the Diamante has a more contemporary look, a smaller depth at only 220mm and a stunning one-piece cast top available in either left or right hand versions. The Diamante 110 White Gloss combination is available with either right or left hand bowls, shown with Kompact BTW pan.

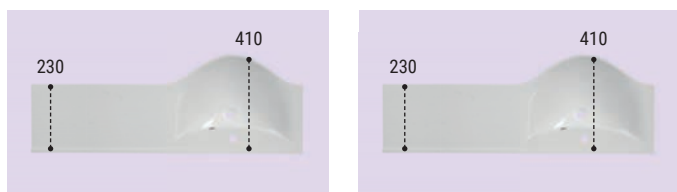
Diamante 110 Base and Top			
Description	Code	£ Ex VAT	£ Inc VAT
Diamante 50cm WC unit	1.070	326.00	391.20
Diamante 60cm basin unit	1.071	291.00	349.20
Diamante 1090mm plinth	1.077	25.00	30.00
Diamante 110 cast top LH *	51.003	333.00	399.60
Diamante 110 cast top RH *	51.004	333.00	399.60
Diamante 50cm wall unit	1.254	258.00	309.60
Bonito 60cm mirror †	1.036	150.00	180.00
Diamante 60cm Cornice	1.204	226.00	271.20
Prado 700 mono basin c/w click waste	56.2010	131.00	157.20

*Due to depth of the waste area, the trap for external overflow kit & a flip top basin waste (unslotted) are recommended for installation.

- FEATURES - CAST MARBLE TOPS**
- Made of 75% natural marble stone
 - Repairable if chipped
 - Seamless surface, easy to maintain
- FEATURES**
- Separate shaver socket

For wall mirrors and cabinets see pages 326-351.

Extras			
Description	Code	£ Ex VAT	£ Inc VAT
Trap for external overflow kit	7.0015	24.00	28.80
Flip Top Basin Waste - Unslotted	25.0005	19.00	22.80



All 1096mm in length, 145mm depth to top of rim

Basin Unit

The upper panel is supplied cut for the Diamante 1150mm top

1.071	Width	Depth	Height
	600mm	225mm	810mm

*Excluding countertop and basin

Concealed Cistern WC unit

With two removable fascia panels. The panels are not pre-drilled or cut (for greater flexibility when fitting)

1.070	Width	Depth	Height
	495mm	225mm	810mm

*Height excluding countertop and basin

Mirror & Cornice

with LED lamps and pull-cord operation

1.036 / 1.204	Width	Height
	600mm	706mm

*Cornice sold separately

Wall Cupboard

with two doors

1.254	Width	Depth	Height
	500mm	176mm	700mm

Extras			
Description	Code	£ Ex VAT	£ Inc VAT
Uncut top panel for new Diamante 60cm basin unit	1.079	88.00	105.60
Diamante WC top panel	1.072	95.00	114.00
Diamante WC bottom panel	1.073	95.00	114.00
Top panel for new Diamante 60cm basin unit	1.074	88.00	105.60
Eastbrook Jacket Hidden Cistern - Bottom Inlet	53.001	112.00	134.40

For more hidden cisterns see pages 194-195.

Diamante WC & Corner Units

DIAMANTE WC UNIT

A compact, stand-alone 500mm WC unit available with a White Gloss MDF top.



Diamante WC Unit

Description	Code	£ Ex VAT	£ Inc VAT
Oslo WC unit lid	1.075	63.00	75.60
New Diamante 50cm WC unit	1.070	326.00	391.20
Diamante 490mm plinth	1.078	21.00	25.20
Vantage Plain Hidden Cistern CP Push Button	17.001	180.00	216.00
Eastbrook Jacket Hidden Cistern - Bottom Inlet	53.001	112.00	134.40
Vantage Hidden Cistern with Jacket	17.3029	207.00	248.40
Kompact BTW pan	27.0321	170.00	204.00
Kompact soft close seat	21.1151	151.00	181.20

Note: other BTW pans are available, see Sanitary section pages 198-199. Plinth sold separately

DIAMANTE CORNER UNIT

Diamante Corner Unit

Description	Code	£ Ex VAT	£ Inc VAT
Diamante corner unit	1.257	341.00	409.20
Diamante corner ceramic basin 1TH	26.0086	161.00	193.20
Mirror Option 1 (not shown)			
Corner mirror cupboard carcass	1.000	250.00	300.00
Mirror Option 2			
Corner mirror cupboard carcass *	1.000	250.00	300.00
Corner cupboard LED light cornice	1.002	103.00	123.60
Mirror Option 3			
Bonito Corner mirror with LED light	1.088	201.00	241.20

*Can be handed left or right.

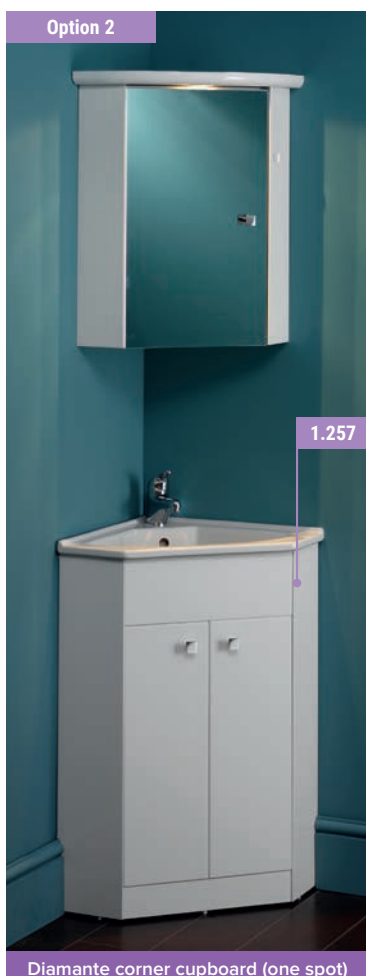
For wall mirrors and cabinets see pages 326-351.



Bonito corner mirror only (one spot)

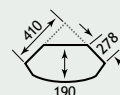


26.0086

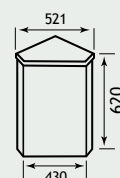


Diamante corner cupboard (one spot)

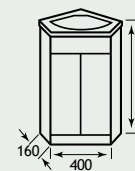
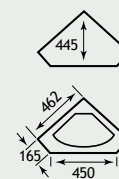
Corner cupboard light cornice 1.002



Corner mirror cupboard 1.000



Corner unit base with ceramic top 1.257 & 26.0086



Faro 39 Range

FARO 39



A modern design of a traditional concept with soft close hinges on doors only, adjustable feet and stone resin cast top.

Faro 39 Base And Top

Description	Code	£ Ex VAT	£ Inc VAT
Faro 39cm base unit	1.269	271.00	325.20
Oslo/Faro 39 cast top *	51.005	165.00	198.00
Faro 39cm mirror †	1.270	138.00	165.60
Faro 39cm LED cornice	1.277	197.00	236.40

† NB. mirror must be fitted with cornice. *Due to depth of the waste area, the trap for external overflow kit & a flip top basin waste (unslotted) are recommended for installation.

FEATURES

- Soft close system on doors
- Separate shaver socket
- Adjustable legs 120-130mm

FEATURES - Cast Marble Tops

- Made of 75% natural marble stone
- Repairable if chipped
- Seamless surface, easy to maintain

For wall mirrors and cabinets see pages 326-351

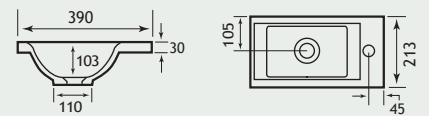
Extras

Description	Code	£ Ex VAT	£ Inc VAT
Trap for external overflow kit	7.0015	24.00	28.80
Flip Top Basin Waste - Unslotted	25.0005	19.00	22.80



The Faro range features adjustable legs. 120-130mm

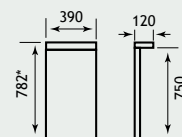
51.011



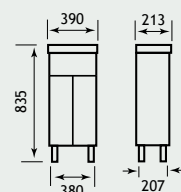
For wall mirrors and cabinets see pages 326-351

1.270/1.277

*NB Mirror and cornice height does not include plastic shroud



1.269



Faro 58 Range

FARO 58



A modern design of a traditional concept with soft close hinges on doors only, adjustable feet and stone resin cast top.

Faro 58 Base And Top

Description	Code	£ Ex VAT	£ Inc VAT
Sorrento/Faro 56cm base unit	1.512	443.00	531.60
Faro 58cm cast top *	51.011	242.00	290.40
Faro 58cm wave action LED cornice	1.272	289.00	346.80
Faro 58cm mirror †	1.271	167.00	200.40

† NB. mirror must be fitted with cornice. *Due to depth of the waste area, the trap for external overflow kit & a flip top basin waste (unslotted) are recommended for installation.

FEATURES

- Soft close system on doors and drawers
- Separate shaver socket
- Adjustable legs 120-130mm

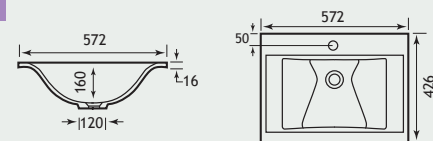
FEATURES - Cast Marble Tops

- Made of 75% natural marble stone
- Repairable if chipped
- Seamless surface, easy to maintain

Extras

Description	Code	£ Ex VAT	£ Inc VAT
Trap for external overflow kit	7.0015	24.00	28.80
Flip Top Basin Waste - Unslotted	25.0005	19.00	22.80

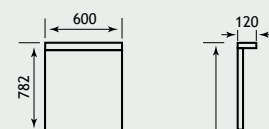
51.011



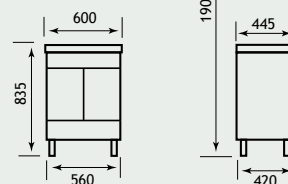
For wall mirrors and cabinets see pages 326-351

1.272 / 1.271

*NB Mirror and cornice height does not include plastic shroud



1.512



Faro 80 Range

FARO 80

Option 1



A modern design of a traditional concept with soft close hinges on doors only, adjustable feet and cast tops.

Faro 80 - Base and Top

Description	Code	£ Ex VAT	£ Inc VAT
Sorrento/Faro 76cm base unit	1.514	500.00	600.00
Faro 80cm cast top *	51.012	275.00	330.00
Mirror Options 1			
Faro 80cm mirror †	1.273	192.00	230.40
Faro 80cm wave action LED cornice	1.274	334.00	400.80
Mirror Options 2			
Faro 39cm mirror †	1.270	138.00	165.60
Faro 39cm LED cornice	1.277	197.00	236.40
Faro 20cm Wall Cupboard (each)**	1.268	181.00	217.20

† NB. mirror must be fitted with cornice. *Due to depth of the waste area, the trap for external overflow kit & a flip top basin waste (unslotted) are recommended for installation. **NB For Option 2 this line needs to be doubled if two cupboards required.

Extras

Description	Code	£ Ex VAT	£ Inc VAT
Trap for external overflow kit	7.0015	24.00	28.80
Flip Top Basin Waste - Unslotted	25.0005	19.00	22.80

Option 2



FEATURES

- Soft close system on doors
- Separate shaver socket
- Adjustable legs 120-130mm

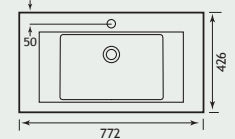
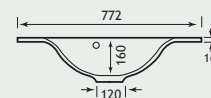
FEATURES - CAST MARBLE TOPS

- Made of 75% natural marble stone
- Repairable if chipped
- Seamless surface, easy to maintain

The Faro range features adjustable legs. 120-130mm



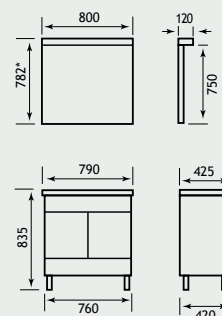
51.012



For wall mirrors and cabinets see pages 326-351

(Option 1) 1.273/1.274

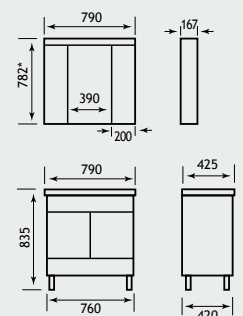
*NB Mirror and cornice height does not include plastic shroud



1.514

(Option 2) 1.270/1.277/1.268

*NB Mirror and cornice height does not include plastic shroud



1.514

Faro 100 Range

FARO 100

Option 2



Option 1



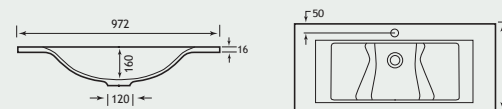
FEATURES

- Soft close system on doors
- Separate shaver socket
- Chrome spotlights
- Adjustable legs 120-130mm

FEATURES - Cast Marble Tops

- Made of 75% natural marble stone
- Repairable if chipped
- Seamless surface, easy to maintain

51.013



For wall mirrors and cabinets see pages 326-351

A modern design of a traditional concept with soft close hinges on doors only, adjustable feet and cast tops.

Faro 100 Base and Top

Description	Code	£ Ex VAT	£ Inc VAT
Sorrento/Faro 96cm base unit	1.516	597.00	716.40
Faro 100cm cast top *	51.013	311.00	373.20

Mirror Options 1

Faro 100cm mirror †	1.275	220.00	264.00
Faro 100cm wave action LED cornice	1.276	368.00	441.60

Mirror Options 2

Faro 58cm mirror †	1.271	167.00	200.40
Faro 58cm wave action LED cornice	1.272	289.00	346.80
Faro 20cm Wall Cupboard (each)**	1.268	181.00	217.20

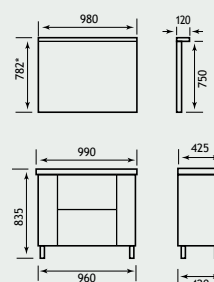
† NB. mirror must be fitted with cornice. *Due to depth of the waste area, the trap for external overflow kit & a flip top basin waste (unslotted) are recommended for installation. **NB For Option 2 this line needs to be doubled if two cupboards required.

Extras

Description	Code	£ Ex VAT	£ Inc VAT
Trap for external overflow kit	7.0015	24.00	28.80
Flip Top Basin Waste - Unslotted	25.0005	19.00	22.80

(Option 1) 1.275/1.276

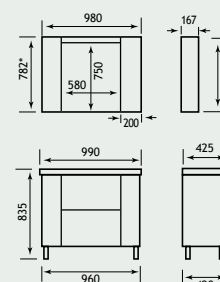
*NB Mirror and cornice height does not include plastic shroud



1.516

(Option 2) 1.271/1.272/1.268

*NB Mirror and cornice height does not include plastic shroud



1.516

Gravina Range

GRAVINA SINGLE DRAWER WALL HUNG UNIT

Our newly designed Cavone bathroom furniture features a luxurious ultra-modern basin that flows perfectly with the straight lines of the pull out draw of the vanity unit.

FEATURES

- Soft close system on drawer
- Ultra-modern wall-hung design
- Available in White Gloss & High Gloss Grey

FEATURES - BASIN TOPS

- Polymarble basin predrilled with 1 tap hole
- A modern seamless one-piece basin
- Straight-lines basin design



36.0058 (50cm)

Gravina Range

GRAVINA SINGLE DRAWER WALL HUNG UNIT

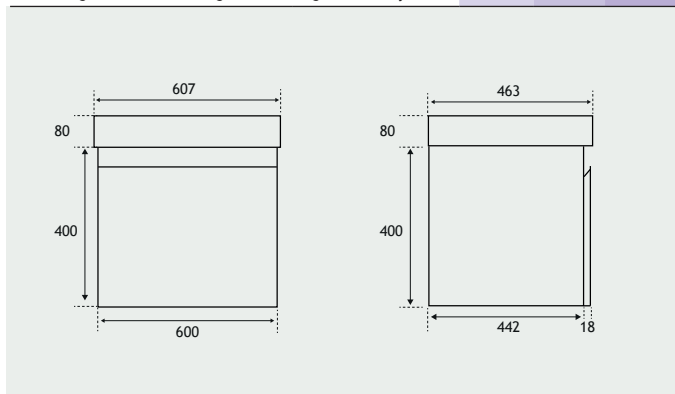
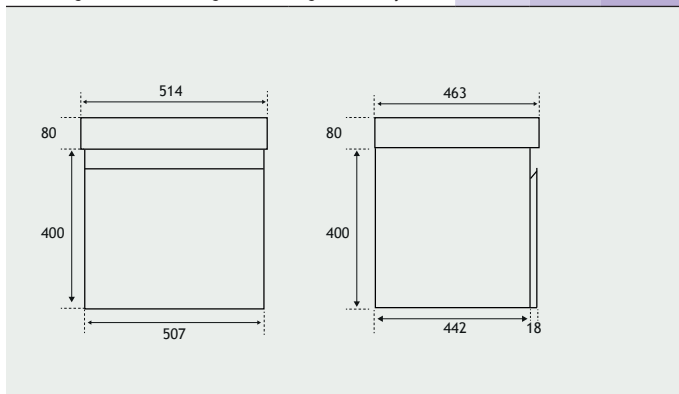
50 CM UNIT

60 CM UNIT



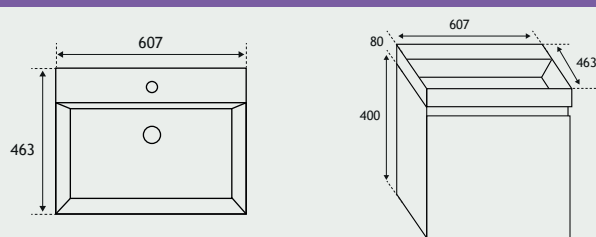
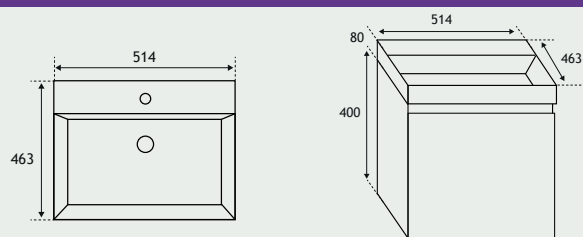
Gravina 50cm Single Drawer Wall Hung Unit				
Description	Colour	Code	£ Ex VAT	£ Inc VAT
50cm Single Drawer Wall Hung Unit	White Gloss	36.0057	292.00	350.40
50cm Single Drawer Wall Hung Unit	High Gloss Grey	36.0058	292.00	350.40

Gravina 60cm Single Drawer Wall Hung Unit				
Description	Colour	Code	£ Ex VAT	£ Inc VAT
60cm Single Drawer Wall Hung Unit	White Gloss	36.0060	321.00	385.20
60cm Single Drawer Wall Hung Unit	High Gloss Grey	36.0061	321.00	385.20



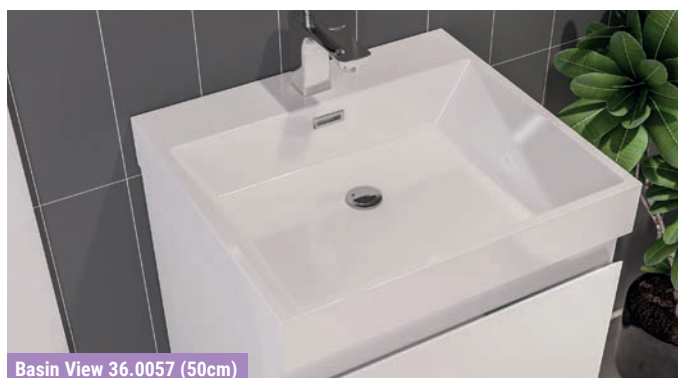
50 CM UNIT BASIN

60 CM UNIT BASIN



Cavone 50cm Cloakroom Basin				
Description	Colour	Code	£ Ex VAT	£ Inc VAT
50cm Gravina Wall Hung Basin	White	36.0059	159.00	190.80

Cavone 60cm Cloakroom Basin				
Description	Colour	Code	£ Ex VAT	£ Inc VAT
60cm Gravina Wall Hung Basin	White	36.0062	179.00	214.80



Basin View 36.0057 (50cm)



EXTRAS

Cloakroom Cavone Extras				
Description	Colour	Code	£ Ex VAT	£ Inc VAT
Vercelli Double Robe hook	Chrome	52.305	20.00	24.00
Helston Basin Mono (inc waste)	Chrome	93.0010	115.00	138.00

Hardwick Range

HARDWICK TRADITIONAL UNIT

Our newly designed Hardwick bathroom furniture features a luxurious basin design that flows perfectly with the traditional inspired curved lines and door panels of the vanity unit.

FEATURES

- Soft close system on doors
- Traditional design inspired door design
- High quality painted doors
- Internal glass shelf (39cm unit has wooden shelf)

FEATURES - BASIN TOPS

- Polymarble basin predrilled with 1 tap hole
- A modern seamless one-piece basin
- Curved & straight basin designs
- Built in internal overflow as standard



36.4012 (120cm) Unit, with Double Bowl Basin 36.4015

See page 258 for compatible basins >>>

Hardwick Range

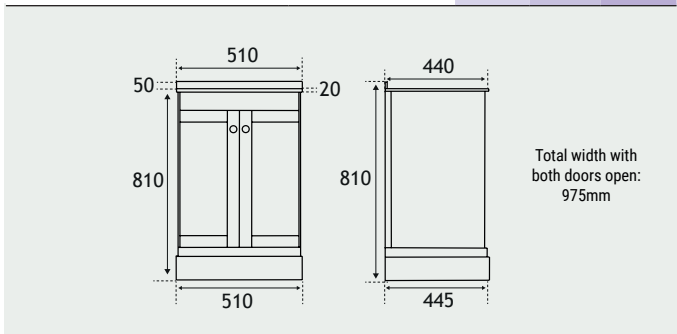
50 CM UNIT



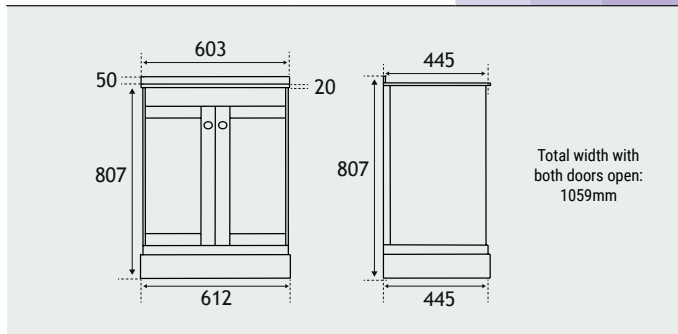
60 CM UNIT



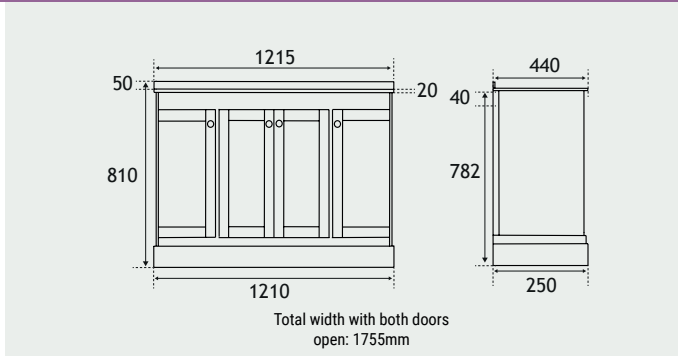
Hardwick 50cm Traditional Unit				
Description	Colour	Code	£ Ex VAT	£ Inc VAT
Hardwick 50cm Unit	Matt White	36.0003	571.00	685.20
Hardwick 50cm Unit	Matt Anthracite	36.0004	571.00	685.20
Hardwick 50cm Unit	Matt Cobalt Blue	36.0063	571.00	685.20



Hardwick 60cm Traditional Unit				
Description	Colour	Code	£ Ex VAT	£ Inc VAT
Hardwick 60cm Unit	Matt White	36.0006	618.00	741.60
Hardwick 60cm Unit	Matt Anthracite	36.0007	618.00	741.60
Hardwick 60cm Unit	Matt Cobalt Blue	36.0064	618.00	741.60



120 CM UNIT



Hardwick Traditional 120cm Unit				
Description	Colour	Code	£ Ex VAT	£ Inc VAT
Hardwick 120cm Unit	Matt White	36.0021	1072.00	1286.40
Hardwick 120cm Unit	Matt Anthracite	36.0022	1072.00	1286.40
Hardwick 120cm Unit	Matt Cobalt Blue	36.0069	1072.00	1286.40
Hardwick 120cm Double Bowl Vanity Unit	Matt White	36.4011	1054.00	1264.80
Hardwick 120cm Double Bowl Vanity Unit	Matt Anthracite	36.4012	1054.00	1264.80
Hardwick 120cm Double Bowl Vanity Unit	Matt Cobalt Blue	36.4013	1054.00	1264.80

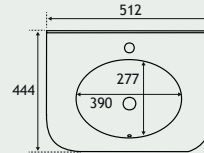
See page 258 for compatible basins

Hardwick Range

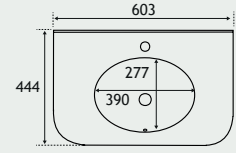
HARDWICK BASINS QUARTZ



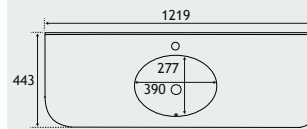
BASINS TECHNICAL



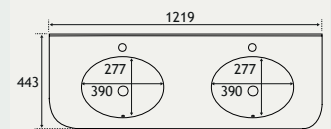
50cm Basin



60cm Basin



120cm Basin



120cm Double Basin

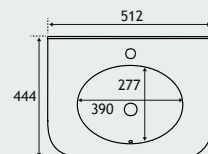
Hardwick Quartz Basins

Description	Colour	Code	£ Ex VAT	£ Inc VAT
Hardwick Traditional 50cm Basin Quartz	White Quartz	36.4001	209.00	250.80
Hardwick Traditional 60cm Basin Quartz	White Quartz	36.4002	220.00	264.00
Hardwick Traditional 120cm Basin Quartz	White Quartz	36.4007	374.00	448.80
Hardwick Traditional 120cm Double Bowl Basin Quartz	White Quartz	36.4015	348.00	417.60

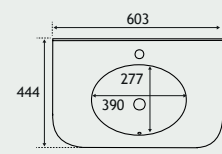
HARDWICK BASINS TRADITIONAL



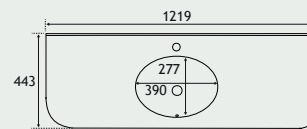
BASINS TECHNICAL



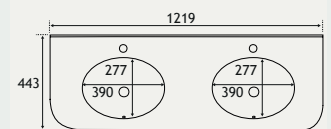
50cm Basin



60cm Basin



120cm Basin



120cm Double Basin

Hardwick Traditional Basins

Description	Colour	Code	£ Ex VAT	£ Inc VAT
Hardwick Traditional 50cm Basin	White (Plain)	36.0005	174.00	208.80
Hardwick Traditional 60cm Basin	White (Plain)	36.0008	191.00	229.20
Hardwick Traditional 120cm Basin	White (Plain)	36.0023	329.00	394.80
Hardwick Traditional 120cm Double Basin	White (Plain)	36.4014	331.00	397.20

Hardwick WC Units

HARDWICK WC UNITS

Our newly designed Hardwick WC Unit features a the same traditional styling, same colours and luxurious feel as its matching Hardwick Vanity Units.

FEATURES

- Delivered to you fully assembled.
- High quality Matt Anthracite, Cobalt Blue & White finishes.
- Seamless surface easy to maintain.
- Hidden cistern sold separately.
- Supplied complete with plinth & top.
- Available in 50cm and 60cm widths



36.0067 Hardwick Corner Unit (Left)

36.0088 Cavone WC Unit 60cm (Right)
Toilet Pan for illustration purposes only

50 CM UNIT

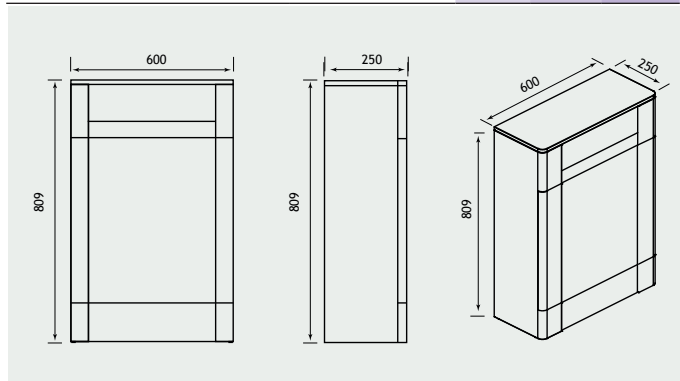
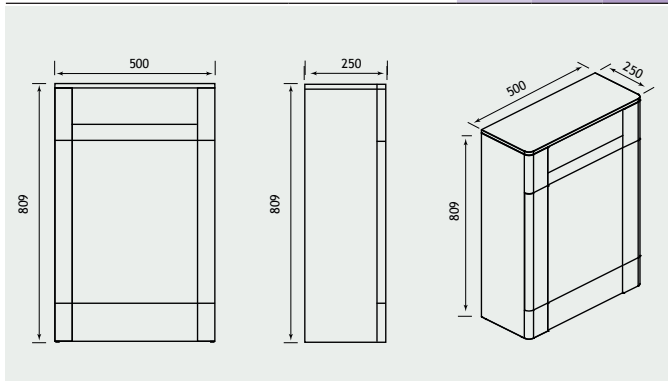


60 CM UNIT



Hardwick WC 50cm Unit				
Description	Colour	Code	£ Ex VAT	£ Inc VAT
50cm Hardwick WC Unit	Matt White	36.0083	271.00	325.20
50cm Hardwick WC Unit	Matt Anthracite	36.0084	271.00	325.20
50cm Hardwick WC Unit	Matt Cobalt Blue	36.0085	271.00	325.20

Hardwick WC 60cm Unit				
Description	Colour	Code	£ Ex VAT	£ Inc VAT
60cm Hardwick WC Unit	Matt White	36.0086	293.00	351.60
60cm Hardwick WC Unit	Matt Anthracite	36.0087	293.00	351.60
60cm Hardwick WC Unit	Matt Cobalt Blue	36.0088	293.00	351.60



Hardwick Range

HARDWICK CORNER CABINET

Our newly designed Hardwick bathroom furniture features a luxurious basin design that flows perfectly with the traditional inspired curved lines and door panels of the vanity unit.

FEATURES

- Soft close system on doors
- Traditional design inspired door design
- High quality painted doors
- Built in internal overflow as standard
- Internal glass shelf

FEATURES - BASIN TOPS

- Polymarble basin predrilled with 1 tap hole
- A modern seamless one-piece basin
- Curved basin design



36.0067 Left Hand

See page 262 for compatible basins >>

Hardwick Range

60 CM CABINET

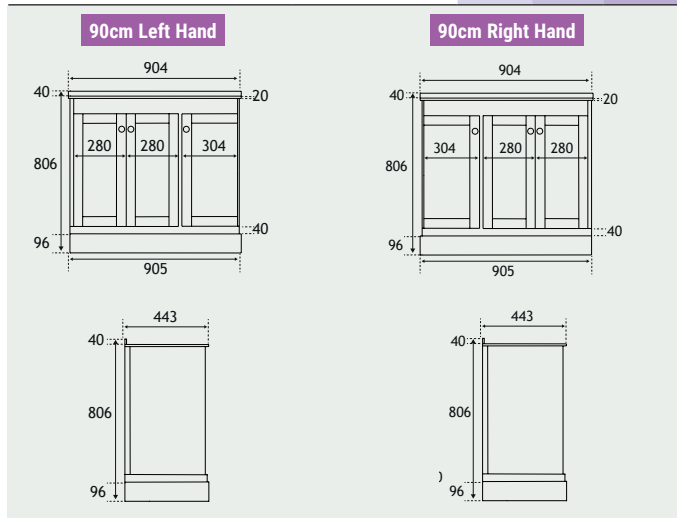
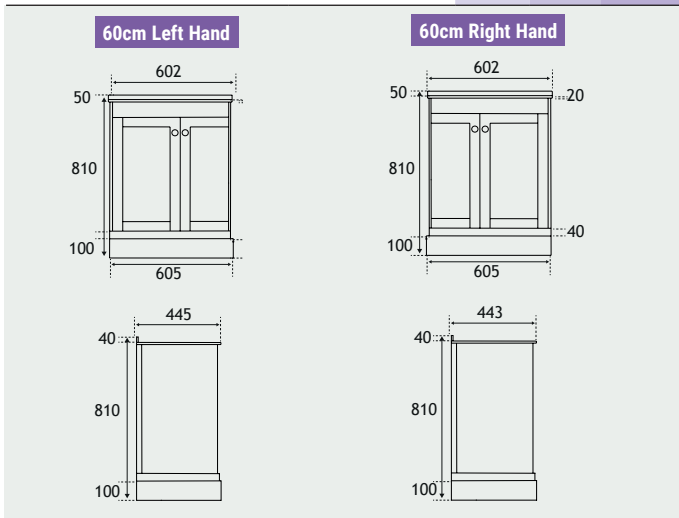


HARDWICK CORNER CABINET 90 CM CABINET



Hardwick 60cm Corner Cabinet				
Description	Colour	Code	£ Ex VAT	£ Inc VAT
Hardwick 60cm Corner Cabinet LH	Matt White	36.0009	618.00	741.60
Hardwick 60cm Corner Cabinet RH	Matt White	36.0012	618.00	741.60
Hardwick 60cm Corner Cabinet LH	Matt Cobalt Blue RAL 5013	36.0065	618.00	741.60
Hardwick 60cm Corner Cabinet RH	Matt Cobalt Blue RAL 5013	36.0066	618.00	741.60
Hardwick 60cm Corner Cabinet LH	Matt Anthracite RAL 7016	36.0010	618.00	741.60
Hardwick 60cm Corner Cabinet RH	Matt Anthracite RAL 7016	36.0013	618.00	741.60

Hardwick 90cm Corner Cabinet				
Description	Colour	Code	£ Ex VAT	£ Inc VAT
Hardwick 90cm Corner Cabinet LH	Matt White	36.0015	825.00	990.00
Hardwick 90cm Corner Cabinet RH	Matt White	36.0018	825.00	990.00
Hardwick 90cm Corner Cabinet LH	Matt Cobalt Blue RAL 5013	36.0067	825.00	990.00
Hardwick 90cm Corner Cabinet RH	Matt Cobalt Blue RAL 5013	36.0068	825.00	990.00
Hardwick 90cm Corner Cabinet LH	Matt Anthracite RAL 7016	36.0016	825.00	990.00
Hardwick 90cm Corner Cabinet RH	Matt Anthracite RAL 7016	36.0019	825.00	990.00



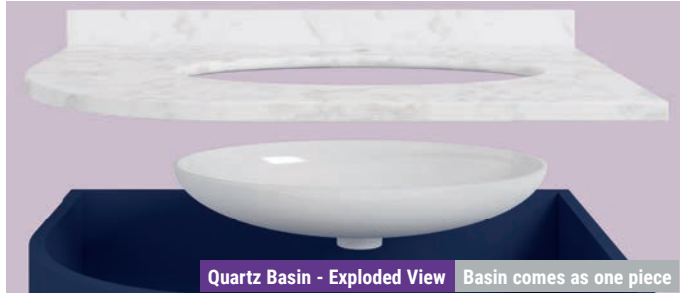
EXTRAS	Description			
	Code	£ Ex VAT	£ Inc VAT	
	Vercelli Hand Towel Ring	52.311	41.00	49.20

See page 262
for compatible basins

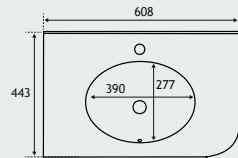
Hardwick Basins

HARDWICK CORNER BASINS QUARTZ

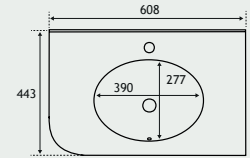
NEW



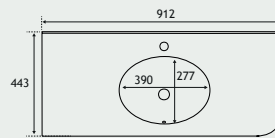
BASINS TECHNICAL



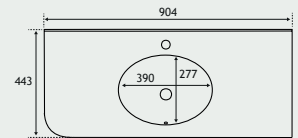
60cm Left Hand Basin



60cm Right Hand Basin



90cm Left Hand Basin



90cm Right Hand Basin

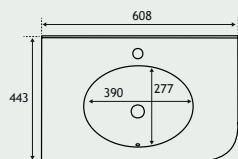
Hardwick Quartz Basins

Description	Colour	Code	£ Ex VAT	£ Inc VAT
Hardwick Quartz Corner 60cm Basin LH	White	36.4003	220.00	264.00
Hardwick Quartz Corner 60cm Basin RH	White	36.4004	220.00	264.00
Hardwick Quartz Corner 90cm Basin LH	White	36.4005	280.00	336.00
Hardwick Quartz Corner 90cm Basin RH	White	36.4006	280.00	336.00

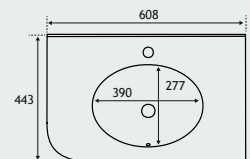
HARDWICK CORNER BASINS TRADITIONAL



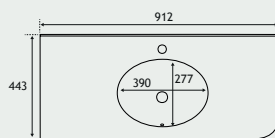
BASINS TECHNICAL



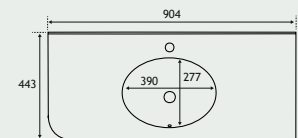
60cm Left Hand Basin



60cm Right Hand Basin



90cm Left Hand Basin



90cm Right Hand Basin

Hardwick Traditional Basins

Description	Colour	Code	£ Ex VAT	£ Inc VAT
Hardwick 60cm Corner Basin LH	White (Plain)	36.0011	191.00	229.20
Hardwick 60cm Corner Basin RH	White (Plain)	36.0014	191.00	229.20
Hardwick 90cm Corner Basin LH	White (Plain)	36.0017	264.00	316.80
Hardwick 90cm Corner Basin RH	White (Plain)	36.0020	264.00	316.80

Hardwick Range

HARDWICK 39CM TRADITIONAL UNIT

Our newly designed Hardwick bathroom furniture features a luxurious basin design that flows perfectly with the traditional inspired curved lines and door panels of the vanity unit.

FEATURES

- Soft close system on door
- Traditional design inspired door design
- High quality painted doors
- Internal wooden shelf

FEATURES - BASIN TOPS

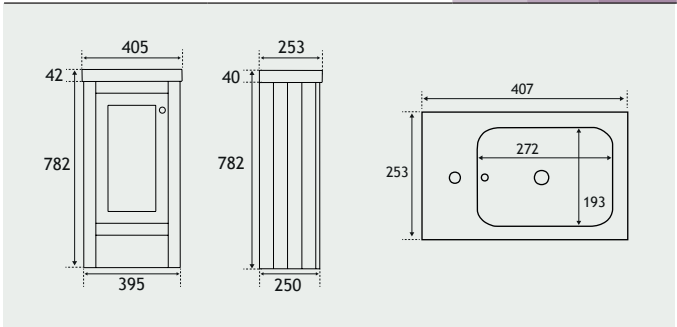
- Polymarble basin predrilled with 1 tap hole
- A modern seamless one-piece basin
- Straight basin designs
- Built in internal overflow as standard



39 CM UNIT



Hardwick Traditional Unit				
Description	Colour	Code	£ Ex VAT	£ Inc VAT
Hardwick 39cm Unit	Matt White	36.0024	311.00	373.20
Hardwick 39cm Unit	Matt Cobalt Blue RAL 5013	36.0070	311.00	373.20
Hardwick 39cm Unit	Matt Anthracite RAL 7016	36.0025	311.00	373.20



Hardwick Traditional Basins				
Description	Colour	Code	£ Ex VAT	£ Inc VAT
Hardwick Traditional 39cm Basin	White	36.0026	94.00	112.80



52.311



52.411

Cloakroom Cavone Extras

Description	Colour	Code	£ Ex VAT	£ Inc VAT
Vercelli Hand Towel Ring	Chrome	52.311	41.00	49.20
Asti Soap Dispenser	Chrome	52.411	49.00	58.80



93.0019



93.0001

Cloakroom Cavone Extras

Description	Colour	Code	£ Ex VAT	£ Inc VAT
Helston Basin Mono (inc waste)	Smooth Black	93.0019	126.00	151.20
Falmouth Basin Mono (inc waste)	Chrome	93.0001	151.00	181.20

Madrid 43 Range

MADRID 43



Madrid 41 cm Unit & 43cm Ceramic Top

Ideal for tight spaces - perfect for cloakrooms and en-suites. The mirror is supplied complete with a light cornice and a useful shelf.

FEATURES

- Mirror has integral shelf and light cornice



430mm mirror and light cornice



22.0000

43cm Madrid Unit With One-Piece Ceramic Top

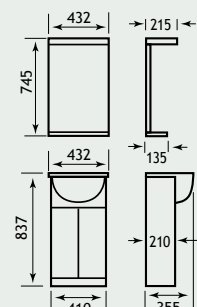
Description	Code	£ Ex VAT	£ Inc VAT
Madrid 41cm base unit†	1.082	234.00	280.80
43cm mirror 1 LED light†	1.086	250.00	300.00
Biava Mini basin mono c/w clicker wastef	56.2052	115.00	138.00

Note: Unit is 41 cm width, Basin is 43cm width.

† While Stocks Last

1.086

*NB Mirror and cornice height does not include plastic shroud



1.082

Madrid 60 Range



Madrid 58cm Unit & 60cm Cast Marble Top

Plenty of storage with two drawers and two cupboards. The mirror has two LED lamps and a shaver socket, both with pull cord operation. The cornice is supplied separately to the mirror.

FEATURES

- Separate shaver socket

FEATURES - CAST MARBLE TOPS

- Made of 75% natural marble stone
- Repairable if chipped
- Seamless surface, easy to maintain



LED Light cornice with shaver socket.



Madrid 60 1TH cast top

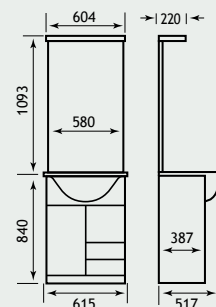
600mm Madrid Unit			
Description	Code	£ Ex VAT	£ Inc VAT
Madrid 58cm base unit	1.083	313.00	375.60
Madrid 60 1TH **	51.086	198.00	237.60
Diamante 60cm mirror *	1.203	150.00	180.00
Diamante 60cm LED Cornice	1.204	226.00	271.20
Trap for external overflow kit	7.0015	24.00	28.80
Flip Top Basin Waste - Unslotted	25.0005	19.00	22.80

*Mirror must be fitted with a cornice. **Trap 7.0015 and Unslotted Basin Waste 25.0005 recommended for installation.

For wall mirrors and cabinets see pages 326-351

1.203/1.204

*NB Mirror and cornice height does not include plastic shroud



1.083

Madrid 80 Range

MADRID 80



Madrid 70cm Unit & 80cm Cast Marble Top



A flexible combination, the base unit can be used with an 800mm mirror and cornice (the cornice has three lamps and a shaver socket), or with a 600mm mirror (two lamps and a shaver socket) with a 200mm wall cupboard and single shelf (shown left).

FEATURES

- Separate shaver socket

FEATURES - CAST MARBLE TOPS

- Made of 75% natural marble stone
- Repairable if chipped
- Seamless surface, easy to maintain

800mm Madrid Unit

Description	Code	£ Ex VAT	£ Inc VAT
Madrid 70cm base unit	1.084	385.00	462.00
Madrid 80 1TH **	51.087	216.00	259.20
Trap for external overflow kit	7.0015	24.00	28.80
Flip Top Basin Waste - Unslotted	25.0005	19.00	22.80
Mirror Options 1			
Diamante 60cm mirror *	1.203	150.00	180.00
Diamante 60cm LED Cornice	1.204	226.00	271.20
Madrid 20cm wall unit	1.015	150.00	180.00
Diamante/Madrid 20cm single shelf	1.217	95.00	114.00
Mirror Options 2			
Diamante 80cm mirror *	1.208	172.00	206.40
Diamante 80cm LED Cornice	1.209	277.00	332.40

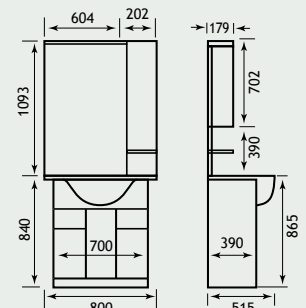
*Mirror must be fitted with a cornice. **Trap 7.0015 and Unslotted Basin Waste 25.0005 recommended for installation.

For matching bath panels see page 132-135.
For wall mirrors and cabinets see pages 325-351.

1.203 / 1.204

1.208 / 1.209

*NB Mirror and cornice height does not include plastic shroud



1.084

Madrid 100 Range



Madrid 90cm Unit & 100cm Cast Marble Top

1000mm Madrid Unit			
Description	Code	£ Ex VAT	£ Inc VAT
Madrid 90cm base unit	1.085	468.00	561.60
Madrid 100 1TH ***	51.088	237.00	284.40
Trap for external overflow kit	7.0015	24.00	28.80
Flip Top Basin Waste - Unslotted	25.0005	19.00	22.80
Mirror Options 1			
Diamante 60cm mirror *	1.203	150.00	180.00
Diamante 60cm LED Cornice	1.204	226.00	271.20
Madrid 20cm wall unit (each)**	1.015	150.00	180.00
Diamante/Madrid 20cm single shelf (each)**	1.217	95.00	114.00

*Mirror must be fitted with a cornice. **Note: For Option 1 this line needs to be doubled if two single shelves are required. ***Trap 7.0015 and Unslotted Basin Waste 25.0005 recommended for installation.



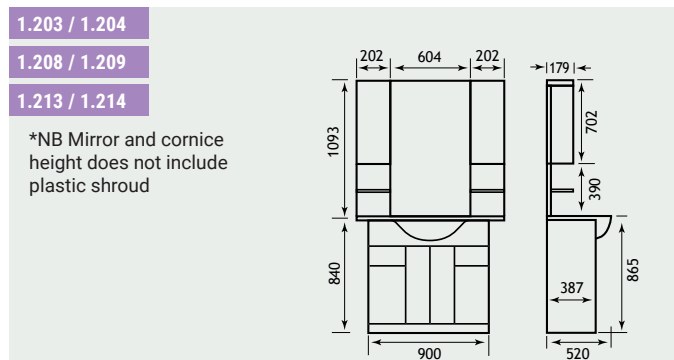
Space, elegance and lots of storage. The 1000mm unit has the benefit of either a 1000mm mirror with cornice (three lamps and a shaver socket), or a 600mm mirror with cornice (two lamps and a shaver socket) with two 200mm wall cupboards and single shelves.

FEATURES

- Separate shaver socket

FEATURES - CAST MARBLE TOPS

- Made of 75% natural marble stone
- Repairable if chipped
- Seamless surface, easy to maintain



*NB Mirror and cornice height does not include plastic shroud

1.085			
Description	Code	£ Ex VAT	£ Inc VAT
Mirror Options 2 (not shown)			
Diamante 80cm mirror *	1.208	172.00	206.40
Diamante 80cm LED Cornice	1.209	277.00	332.40
Madrid 20cm wall unit	1.015	150.00	180.00
Diamante/Madrid 20cm single shelf	1.217	95.00	114.00
Mirror Options 3			
Diamante 100cm mirror *	1.213	192.00	230.40
Diamante 100cm LED Cornice	1.214	297.00	356.40

Oslo 39 - Door Unit Range

OSLO 39 WHITE GLOSS TWO DOOR UNIT



OSLO 39 ANTHRACITE TWO DOOR UNIT



Oslo White Gloss creates a stunning impression, a quality carcass with soft close systems on both the doors and drawers. New minimalist stone resin-cast tops allow more depth to the basin than ceramic sinks and are easy to keep clean. Available in various combinations the Oslo range will grace any bathroom.

Oslo Matt Anthracite gives off a modern feel, made of a quality carcass with soft close systems on both the doors and drawers. New minimalist stone resin-cast tops allow more depth to the basin than ceramic sinks and are easy to keep clean. Available in various combinations the Oslo range will grace any bathroom.

Oslo 39 Unit White Two Door Unit

Description	Code	£ Ex VAT	£ Inc VAT
Oslo 39cm base unit	1.064	250.00	300.00
Oslo/Faro 39 cast top *	51.005	165.00	198.00
Oslo 30cm tall cupboard, 2 door	1.294	404.00	484.80

Oslo White WC Unit

Description	Code	£ Ex VAT	£ Inc VAT
Oslo WC unit only	1.287	326.00	391.20
Oslo WC unit lid	1.075	63.00	75.60
Oslo WC unit plinth	1.288	18.00	21.60

Extras

Description	Code	£ Ex VAT	£ Inc VAT
Trap for external overflow kit	7.0015	24.00	28.80
Flip Top Basin Waste - Unslotted	25.0005	19.00	22.80

*Due to depth of the waste area, the trap for external overflow kit & a flip top basin waste (unslotted) are recommended for installation.

FEATURES

- Soft close system on doors

FEATURES - CAST MARBLE TOPS

- Made of 75% natural marble stone
- Repairable if chipped
- Seamless surface, easy to maintain

Oslo 39 Unit Anthracite Two Door Unit

Description	Code	£ Ex VAT	£ Inc VAT
Oslo 39cm Matt Anthracite base unit	1.754	250.00	300.00
Oslo/Faro 39 cast top	51.005	165.00	198.00
Status 390 cast top	51.022	165.00	198.00
Oslo 30cm tall cupboard Matt Anthracite	1.766	404.00	484.80

Oslo Anthracite WC Unit

Description	Code	£ Ex VAT	£ Inc VAT
Oslo WC unit Matt Anthracite	1.759	326.00	391.20
Oslo WC unit top Matt Anthracite	1.760	63.00	75.60
Oslo WC unit plinth Matt Anthracite	1.761	18.00	21.60

Extras

Description	Code	£ Ex VAT	£ Inc VAT
Trap for external overflow kit	7.0015	24.00	28.80
Flip Top Basin Waste - Unslotted	25.0005	19.00	22.80

*Due to depth of the waste area, the trap for external overflow kit & a flip top basin waste (unslotted) are recommended for installation.

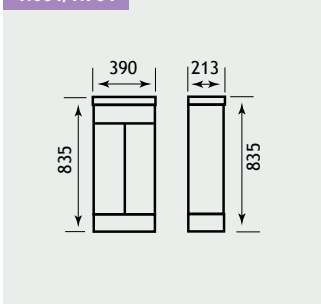
FEATURES

- Soft close system on doors

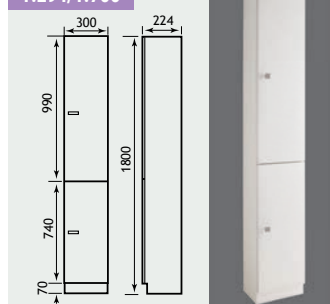
FEATURES - CAST MARBLE TOPS

- Made of 75% natural marble stone
- Repairable if chipped
- Seamless surface, easy to maintain

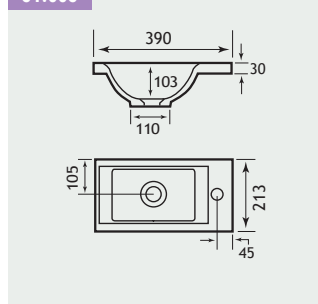
1.064/1.754



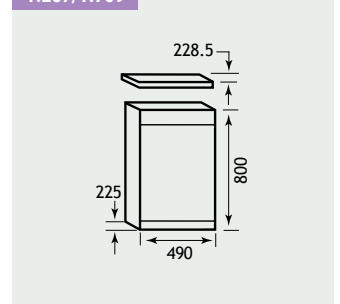
1.294/1.766



51.005



1.287/1.759



Oslo 39 - Door Unit Range

OSLO 39 DARK WALNUT TWO DOOR UNIT

Supplied with handles shown as standard



Oslo creates a stunning impression, a quality carcass with soft close systems on both the doors and drawers. New minimalist stone resin-cast tops allow more depth to the basin than ceramic sinks and are easy to keep clean. Available in various combinations the Oslo range will grace any bathroom.

Oslo 39 Unit Dark Walnut & WC Unit

Description	Code	£ Ex VAT	£ Inc VAT
Oslo 39cm base unit*	59.0001	332.00	398.40
Biava Mini basin mono c/w clicker waste	56.2052	115.00	138.00
Oslo Tall Cistern Unit	59.0004	291.00	349.20
Oslo Tall Cistern Unit top	59.0005	54.00	64.80

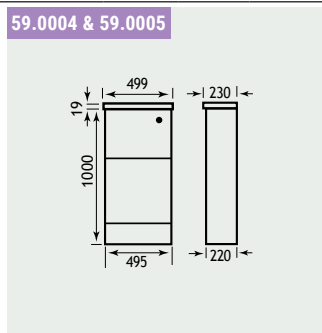
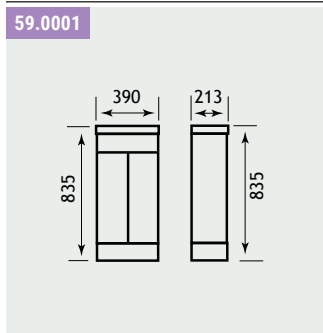
NB Product is vinyl wrapped MDF in dark walnut. *Not compatible with 51.025. For matching bath panels and toilet seats please see page 132-136.

FEATURES

- Soft close system on doors
- Fluorescent lights on mirrors

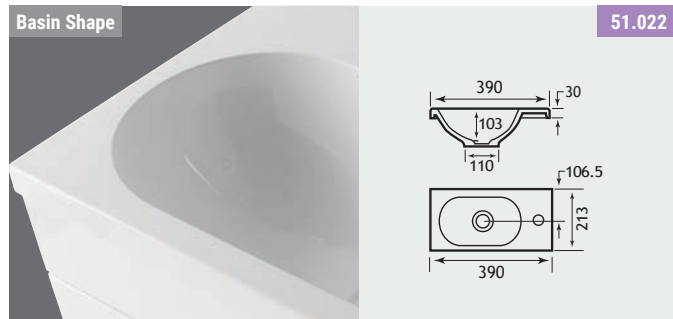
FEATURES - CAST MARBLE TOPS

- Made of 75% natural marbl stone
- Repairable if chipped
- Seamless surface, easy to maintain



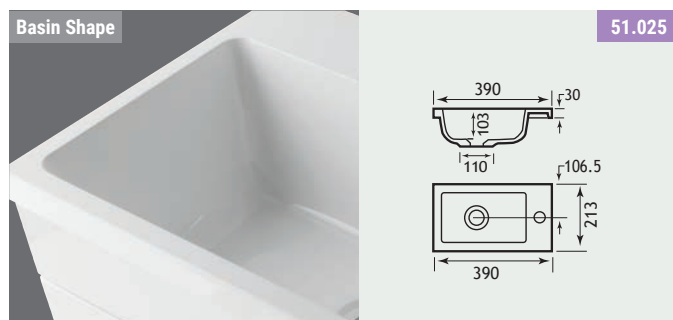
OSLO 39 COMPATIBLE BASINS

Oslo base units create a stunning impression with their simplistic yet sophisticated design. Choosing a basin that matches your selection of tap or accessories unites all the design elements to display an effortless look.



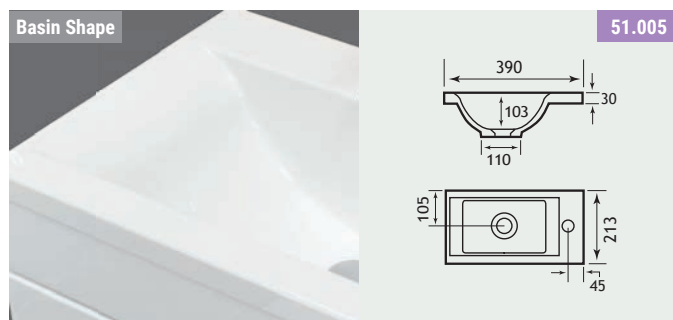
Status 39 Cast Top

Description	Code	£ Ex VAT	£ Inc VAT
Status 39cm cast top*	51.022	165.00	198.00



Quantum 39 Cast Top

Description	Code	£ Ex VAT	£ Inc VAT
Quantum 39cm cast top*	51.025	167.00	200.40



Oslo 39 Cast Top

Description	Code	£ Ex VAT	£ Inc VAT
Oslo 39cm cast top*	51.005	165.00	198.00

*7.0015 & unslotted waste recommended for installation

Extras

Description	Code	£ Ex VAT	£ Inc VAT
Trap for external overflow kit	7.0015	24.00	28.80
Flip Top Basin Waste - Unslotted	25.0005	19.00	22.80

Oslo 44 - Door/Drawer Unit Range



The Oslo 44 Unit is both stylish and practical. Soft close systems on doors giving full access to all contents in one smooth action.

Oslo 44 White Two Door Unit			
Description	Code	£ Ex VAT	£ Inc VAT
Oslo 44cm door base unit	1.065	290.00	348.00
Contempo handle 128mm (each)	3076	20.00	24.00
Status 440 cast top*	51.023	216.00	259.20
Oslo 30cm tall cupboard, 2 door	1.294	404.00	484.80

Oslo 44 WC			
Description	Code	£ Ex VAT	£ Inc VAT
Oslo WC unit only	1.287	326.00	391.20
Oslo WC unit lid	1.075	63.00	75.60
Oslo WC unit plinth	1.288	18.00	21.60

FEATURES UNIT

- Soft close system on doors

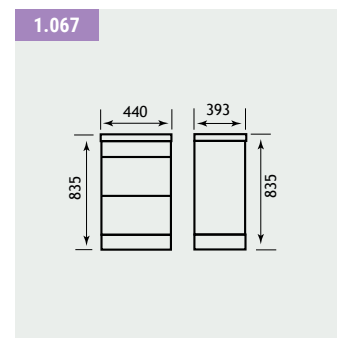
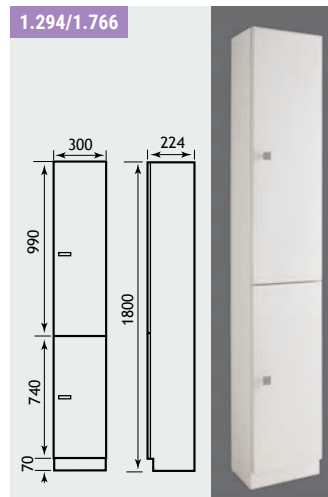
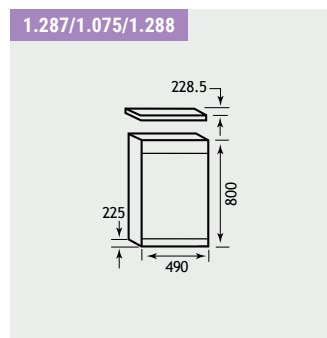
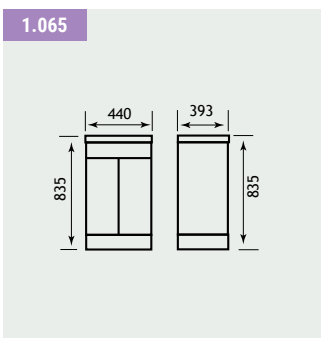
The Oslo 44 Unit is both stylish and practical. Soft close systems on drawers giving full access to all contents in one smooth action.

Oslo 44 White Two Drawer Unit			
Description	Code	£ Ex VAT	£ Inc VAT
Oslo 44cm drawer base unit	1.067	542.00	650.40
Contempo handle 128mm (each)	3076	20.00	24.00
Status 440 cast top	51.023	216.00	259.20
Oslo 30cm tall cupboard, 2 door	1.294	404.00	484.80

Extras			
Description	Code	£ Ex VAT	£ Inc VAT
Trap for external overflow kit	7.0015	24.00	28.80
Flip Top Basin Waste - Unslotted	25.0005	19.00	22.80

FEATURES UNIT

- Soft close system on drawers



Oslo 44 - Door/Drawer Unit Range

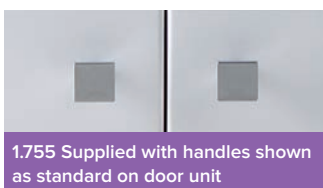


The Oslo 44 Unit is both stylish and practical. Soft close systems on doors giving full access to all contents in one smooth action.

Oslo 44 Anthracite Two Door Unit			
Description	Code	£ Ex VAT	£ Inc VAT
Oslo 44cm Matt Anthracite door base unit	1.755	291.00	349.20
Contempo handle 128mm (each)	3076	20.00	24.00
Oslo 30cm tall cupboard Matt Anthracite	1.766	404.00	484.80

FEATURES UNIT

- Soft close system on doors

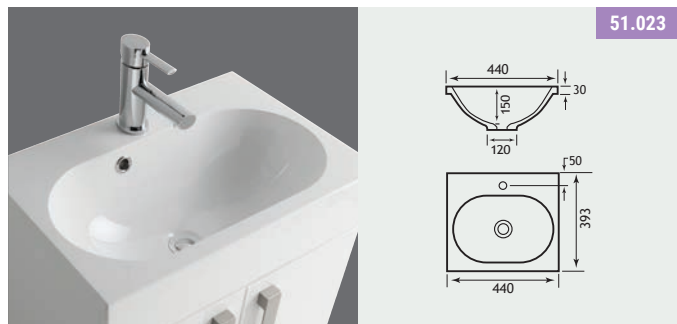


Oslo 44 Anthracite Two Drawer Unit			
Description	Code	£ Ex VAT	£ Inc VAT
Oslo 44cm Matt Anthracite drawer base unit	1.756	542.00	650.40
Contempo handle 128mm (each)	3076	20.00	24.00
Oslo 30cm tall cupboard Matt Anthracite	1.766	404.00	484.80

Oslo Anthracite WC Unit			
Description	Code	£ Ex VAT	£ Inc VAT
Oslo WC unit Matt Anthracite	1.759	326.00	391.20
Oslo WC unit top Matt Anthracite	1.760	63.00	75.60
Oslo WC unit plinth Matt Anthracite	1.761	18.00	21.60

OSLO 44 COMPATIBLE BASINS

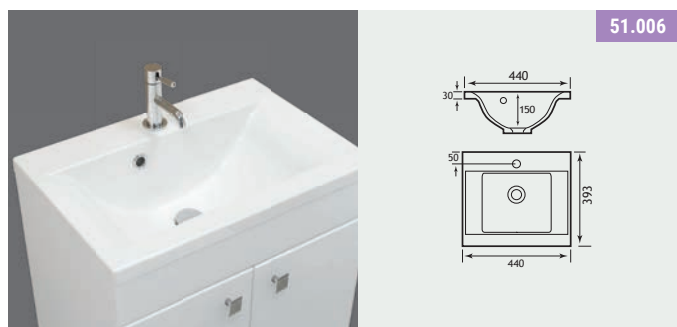
Oslo base units create a stunning impression with their simplistic yet sophisticated design. Choosing a basin that matches your selection of tap or accessories unites all the design elements to display an effortless look.



Status 44 Cast Top			
Description	Code	£ Ex VAT	£ Inc VAT
Status 44cm cast top*	51.023	216.00	259.20



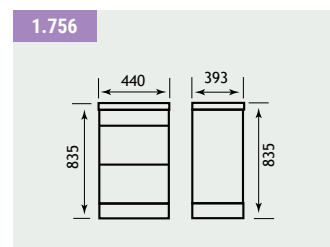
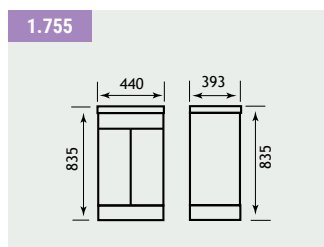
Quantum 44 Cast Top			
Description	Code	£ Ex VAT	£ Inc VAT
Quantum 44cm cast top*	51.026	223.00	267.60



Oslo 44 Cast Top			
Description	Code	£ Ex VAT	£ Inc VAT
Oslo 44cm cast top*	51.006	192.00	230.40

*7.0015 & unslotted waste recommended for installation

Extras			
Description	Code	£ Ex VAT	£ Inc VAT
Trap for external overflow kit	7.0015	24.00	28.80
Flip Top Basin Waste - Unslotted	25.0005	19.00	22.80



Oslo 58 - Door/Drawer Unit Range



Oslo creates a stunning impression, a quality carcass with soft close systems on both the doors and drawers. New minimalist stone resin-cast tops allow more depth to the basin than ceramic sinks and are easy to keep clean. Available in various combinations the Oslo range will grace any bathroom.

Oslo 58 White Two Door Unit

Description	Code	£ Ex VAT	£ Inc VAT
Oslo 58cm door base unit	1.068	329.00	394.80
Contempo handle 128mm (each)	3076	20.00	24.00
Status 580 cast top	51.024	241.00	289.20

Oslo White WC Unit

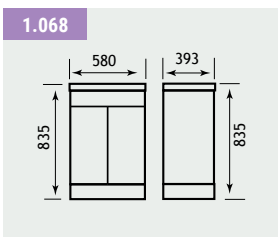
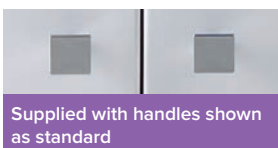
Description	Code	£ Ex VAT	£ Inc VAT
Oslo WC unit only	1.287	326.00	391.20
Oslo WC unit lid	1.075	63.00	75.60
Oslo WC unit plinth	1.288	18.00	21.60

Extras

Description	Code	£ Ex VAT	£ Inc VAT
Trap for external overflow kit	7.0015	24.00	28.80
Flip Top Basin Waste - Unslotted	25.0005	19.00	22.80

FEATURES UNIT

- Soft close system on doors



Oslo 58 White Two Drawer Unit

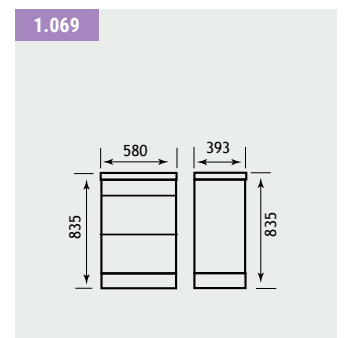
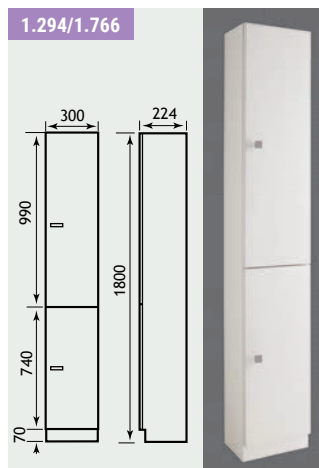
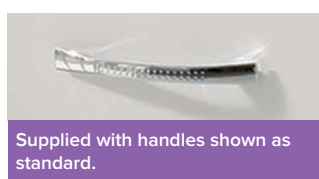
Description	Code	£ Ex VAT	£ Inc VAT
Oslo 58cm drawer base unit	1.069	574.00	688.80
Contempo handle 128mm (each)	3076	20.00	24.00
Status 580 cast top	51.024	241.00	289.20
Oslo 30cm tall cupboard, 2 door	1.294	404.00	484.80

Extras

Description	Code	£ Ex VAT	£ Inc VAT
Trap for external overflow kit	7.0015	24.00	28.80
Flip Top Basin Waste - Unslotted	25.0005	19.00	22.80

FEATURES UNIT

- Soft close system on drawers



Oslo 58 - Door/Drawer Unit Range



Oslo creates a stunning impression, a quality carcass with soft close systems on both the doors and drawers. New minimalist stone resin-cast tops allow more depth to the basin than ceramic sinks and are easy to keep clean. Available in various combinations the Oslo range will grace any bathroom.

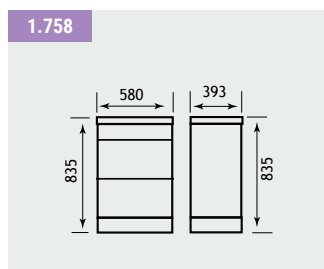
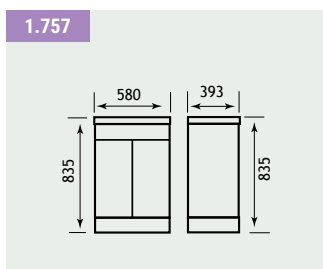
Oslo 58 Anthracite Two Door Unit			
Description	Code	£ Ex VAT	£ Inc VAT
Oslo 58cm Matt Anthracite door base unit	1.757	329.00	394.80
Contempo handle 128mm (each)	3076	20.00	24.00
Oslo 30cm tall cupboard Matt Anthracite	1.766	404.00	484.80

- FEATURES UNIT**
- Soft close system on doors



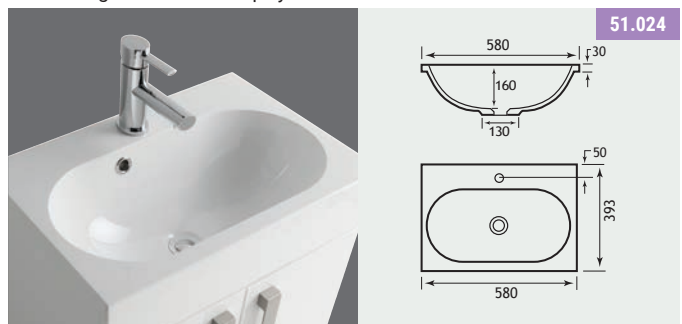
Oslo 58 Anthracite Two Drawer Unit			
Description	Code	£ Ex VAT	£ Inc VAT
Oslo 58cm Matt Anthracite drawer unit	1.758	574.00	688.80
Contempo handle 128mm (each)	3076	20.00	24.00
Oslo 30cm tall cupboard Matt Anthracite	1.766	404.00	484.80

Oslo Anthracite WC Unit			
Description	Code	£ Ex VAT	£ Inc VAT
Oslo WC unit Matt Anthracite	1.759	326.00	391.20
Oslo WC unit top Matt Anthracite	1.760	63.00	75.60
Oslo WC unit plinth Matt Anthracite	1.761	18.00	21.60

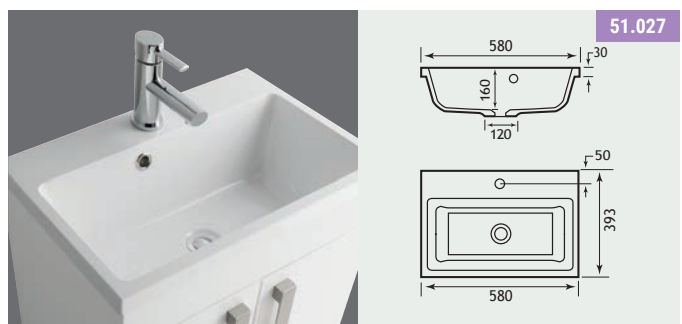


OSLO 58 COMPATIBLE BASINS

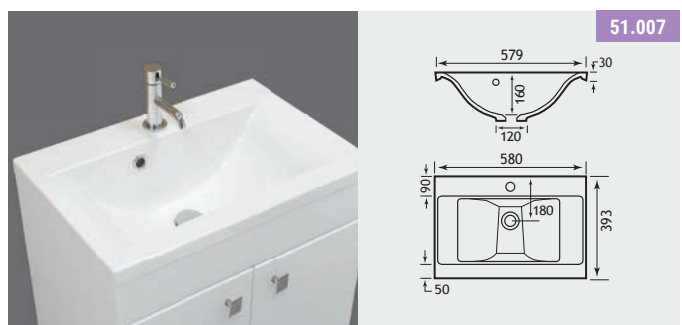
Oslo base units create a stunning impression with their simplistic yet sophisticated design. Choosing a basin that matches your selection of tap or accessories unites all the design elements to display an effortless look.



Status 58 Cast Top			
Description	Code	£ Ex VAT	£ Inc VAT
Status 58cm cast top*	51.024	241.00	289.20



Quantum 58 Cast Top			
Description	Code	£ Ex VAT	£ Inc VAT
Quantum 58cm cast top*	51.027	252.00	302.40



Oslo 58 Cast Top			
Description	Code	£ Ex VAT	£ Inc VAT
Oslo 58cm cast top*	51.007	211.00	253.20

*7.0015 trap and unslotted basin waste recommended for installation.

- FEATURES - CAST MARBLE TOPS**
- Made of 75% natural marble stone
 - Repairable if chipped
 - Seamless surface, easy to maintain



Extras			
Description	Code	£ Ex VAT	£ Inc VAT
Trap for external overflow kit	7.0015	24.00	28.80
Flip Top Basin Waste - Unslotted	25.0005	19.00	22.80

Oslo 58 - Door/Drawer Unit Range

OSLO 58 DARK WALNUT TWO DOOR UNIT



OSLO 58 DARK WALNUT TWO DRAWER UNIT



Oslo creates a stunning impression, a quality carcass with soft close systems on both the doors and drawers. New minimalist stone resin-cast tops allow more depth to the basin than ceramic sinks and are easy to keep clean. Available in various combinations the Oslo range will grace any bathroom.

Oslo 58 Dark Walnut Two Door Unit

Description	Code	£ Ex VAT	£ Inc VAT
Oslo 58cm door base unit	59.0002	368.00	441.60
Oslo 580 cast top	51.007	211.00	253.20

Oslo 58 Dark Walnut Two Drawer Unit

Description	Code	£ Ex VAT	£ Inc VAT
Oslo 58cm drawer base unit	59.0003	458.00	549.60
Status 580 cast top	51.024	241.00	289.20

Oslo 58 Dark Walnut WC Unit

Description	Code	£ Ex VAT	£ Inc VAT
Oslo Tall Cistern Unit	59.0004	291.00	349.20
Oslo Tall Cistern Unit Top	59.0005	54.00	64.80
Collindale Rimless Comfort Height BTW Pan	26.0068	253.00	303.60
Bijou / Collindale Soft Close Seat	26.0070	82.00	98.40

*Due to depth of the waste area, the trap for external overflow kit & a flip top basin waste (unslotted) are recommended for installation.

NB Product is vinyl wrapped MDF in dark walnut. For matching bath panels and toilet seats please see page 132-136.

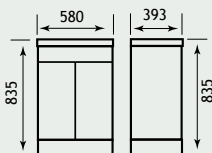
Extras

Description	Code	£ Ex VAT	£ Inc VAT
Trap for external overflow kit	7.0015	24.00	28.80
Flip Top Basin Waste - Unslotted	25.0005	19.00	22.80

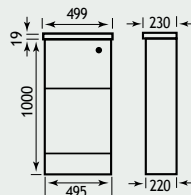
FEATURES - UNIT

- Soft close system on doors and drawers

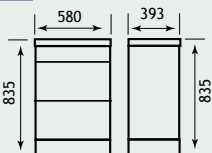
59.0002



59.0004 & 59.0005



59.0003

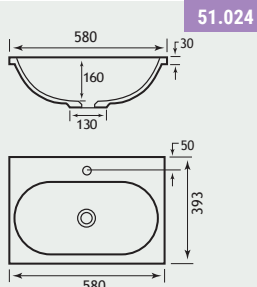


Contempo handles come as standard in this Unit

Oslo 58 - Door/Drawer Unit Range

OSLO 58 COMPATIBLE BASINS

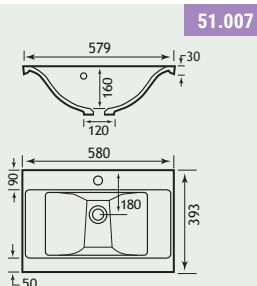
Oslo base units create a stunning impression with their simplistic yet sophisticated design. Choosing a basin that matches your selection of tap or accessories unites all the design elements to display an effortless look.



51.024

Status 58 Cast Top

Description	Code	£ Ex VAT	£ Inc VAT
Status 580 cast top*	51.024	241.00	289.20



51.007

Oslo 58 Cast Top

Description	Code	£ Ex VAT	£ Inc VAT
Oslo 58 cast top*	51.007	211.00	253.20

*7.0015 trap and unslotted basin waste recommended for installation.

- FEATURES - CAST MARBLE TOPS**
- Made of 75% natural marble stone
 - Repairable if chipped
 - Seamless surface, easy to maintain

Status Cast Top - 51.024



BISCAY BATH RANGE Complete the LOOK

Just like the Status basin top, the Biscay Baths bring a unique perspective to bathroom design the and adds a touch of luxury with its soft curves.



Left hand shown

Flip to the Bath section to find your ideal Biscay bath >> Page: 70-79

Oslo 80 - Drawer Unit Range

OSLO 80 TWO DRAWER UNIT



The two drawer Oslo Unit is both stylish and practical. The drawers glide open and shut on soft close systems giving full access to all contents in one smooth action.

Oslo 80 Base And Cast Top

Description	Code	£ Ex VAT	£ Inc VAT
Oslo 800mm drawer base unit	1.076	623.00	747.60
Oslo 80 cast top*	51.008	267.00	320.40
Leven 800 x 600 bluetooth mirror	56.1083	416.00	499.20
Sorrento 70cm mirror †	1.419	170.00	204.00
Sorrento 80cm LED cornice	1.522	264.00	316.80
Sorrento 800mm 'Wave' action infra red LED cornice	1.219	336.00	403.20

Oslo WC Unit

Description	Code	£ Ex VAT	£ Inc VAT
Oslo WC unit only	1.287	326.00	391.20
Oslo WC unit lid	1.075	63.00	75.60
Oslo WC unit plinth	1.288	18.00	21.60

Extras

Description	Code	£ Ex VAT	£ Inc VAT
Trap for external overflow kit	7.0015	24.00	28.80
Flip Top Basin Waste - Unslotted	25.0005	19.00	22.80

FEATURES

- Soft close system on drawers

FEATURES - CAST MARBLE TOPS

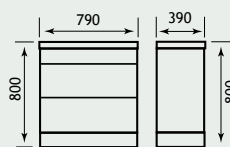
- Made of 75% natural marble stone
- Repairable if chipped
- Seamless surface, easy to maintain

† Mirror must be fitted with a cornice. *Due to depth of the waste area, the trap for external overflow kit & a flip top basin waste (unslotted) are recommended for installation.



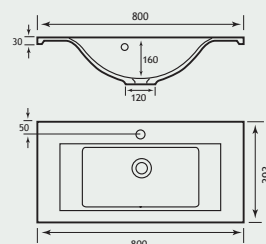
Also compatible with the Oslo 80 is the Sorrento mirror and cornice as shown above. For wall mirrors and cabinets see pages 326-351.

1.076



Sorrento cornices are now available with an option of 'Wave' action infra-red sensor to activate lights.

51.008



Oslo 100 - Drawer Unit Range

OSLO 100 SINGLE BOWL TWO DRAWER UNIT



The two drawer Oslo Unit is both stylish and practical. The drawers glide open giving full access to all contents in one smooth action.

Oslo 100 Base and Single Bowl Cast Top

Description	Code	£ Ex VAT	£ Inc VAT
Oslo 1000mm drawer base unit for single bowl	1.081	666.00	799.20
Oslo 100 cast top*	51.009	301.00	361.20
Plain Mirror 555 x 1000	40.0020	96.00	115.20

Oslo WC Unit

Description	Code	£ Ex VAT	£ Inc VAT
Oslo WC unit only	1.287	326.00	391.20
Oslo WC unit lid	1.075	63.00	75.60
Oslo WC unit plinth	1.288	18.00	21.60

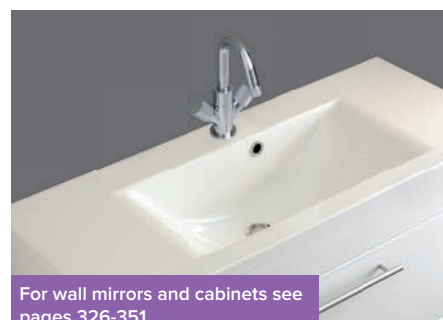
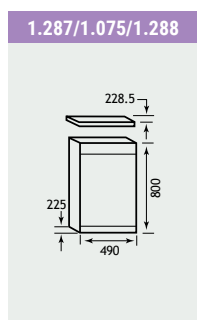
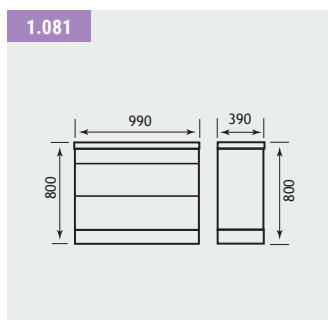
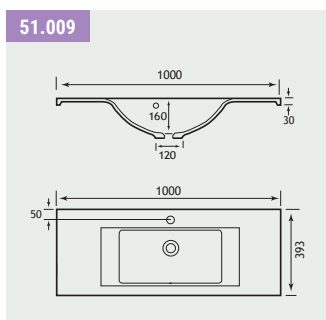
Extras

Description	Code	£ Ex VAT	£ Inc VAT
Trap for external overflow kit	7.0015	24.00	28.80
Flip Top Basin Waste - Unslotted	25.0005	19.00	22.80

FEATURES - CAST MARBLE TOPS

- Made of 75% natural marble stone
- Repairable if chipped
- Seamless surface, easy to maintain

*Due to depth of the waste area, the trap for external overflow kit & a flip top basin waste (unslotted) are recommended for installation.



For wall mirrors and cabinets see pages 326-351

Oslo 100 - Drawer Unit Range



The two drawer Oslo Unit is both stylish and practical. The drawers glide open giving full access to all contents in one smooth action. Also compatible with the Oslo 100 is the Sorrento mirror and cornice as shown left. For wall mirrors and cabinets see pages 334-359. The internal design of these drawers may change during the lifetime of this brochure.

Oslo 100 Base and Double Bowl Cast Top			
Description	Code	£ Ex VAT	£ Inc VAT
Oslo 1000mm drawer base unit for double bowl	1.091	666.00	799.20
Oslo 100 double cast top*	51.010	340.00	408.00
Sorrento 70cm mirror	1.419	170.00	204.00
Sorrento 80cm LED cornice	1.522	264.00	316.80
Sorrento 800mm 'Wave' action infra red LED cornice	1.219	336.00	403.20
Plain Mirror 555 x 1000	40.0020	96.00	115.20

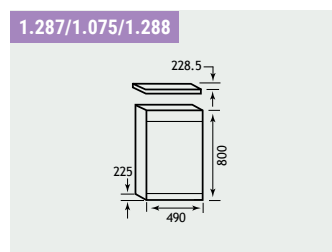
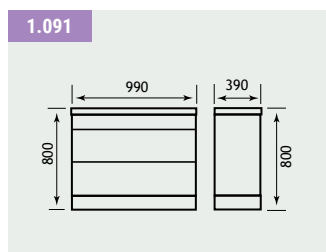
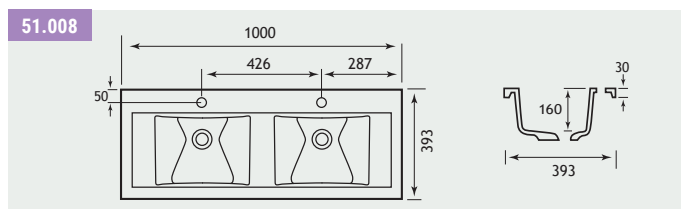
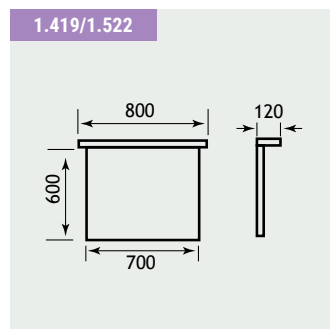
Oslo WC Unit			
Description	Code	£ Ex VAT	£ Inc VAT
Oslo WC unit only	1.287	326.00	391.20
Oslo WC unit lid	1.075	63.00	75.60
Oslo WC unit plinth	1.288	18.00	21.60

Extras			
Description	Code	£ Ex VAT	£ Inc VAT
Trap for external overflow kit	7.0015	24.00	28.80
Flip Top Basin Waste - Unslotted	25.0005	19.00	22.80

*2 x 7.0015 and 2 x wastes required for item 51.010 double bowl.

FEATURES - CAST MARBLE TOPS

- Made of 75% natural marble stone
- Repairable if chipped
- Seamless surface, easy to maintain



Oslo Corner WC Unit & Cupboards



These versatile, modular wall cupboards are ideal for family needs giving everyone their own storage space. The cupboards are reversible, feature soft close doors and can be used in any combination.

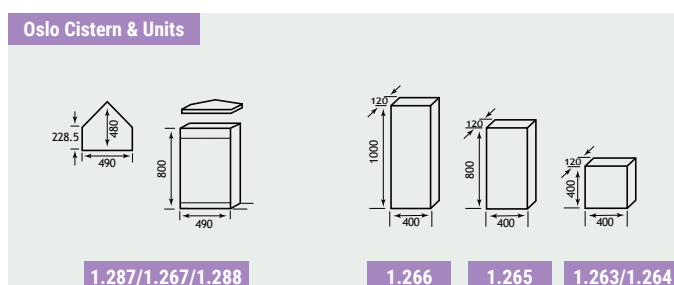
Oslo Corner WC			
Description	Code	£ Ex VAT	£ Inc VAT
Oslo WC unit only *	1.287	326.00	391.20
Oslo corner unit lid	1.267	116.00	139.20
Oslo WC unit plinth	1.288	18.00	21.60
Oslo square 400mm wall cupboard	1.263	201.00	241.20
Oslo square 400mm mirror wall cupboard	1.264	211.00	253.20
Oslo wall cupboard 400 x 800mm	1.265	253.00	303.60
Oslo wall cupboard 400 x 1000mm	1.266	274.00	328.80
Vantage Plain Hidden Cistern CP Push Button	17.001	180.00	216.00
Eastbrook Jacket Hidden Cistern - Bottom Inlet	53.001	112.00	134.40
Vantage Hidden Cistern with Jacket	17.3029	207.00	248.40
Oslo 30cm tall cupboard, 2 door	1.294	404.00	484.80

*NB Price does not include BTW pan or seat. Hidden cistern, corner unit lid and plinth sold separately.

Oslo Extras			
Description	Code	£ Ex VAT	£ Inc VAT
Upper panel for 1.287 Oslo WC unit	1.99070	82.00	98.40
Lower panel Oslo 50cm tall cistern unit	1.99046	74.00	88.80
Oslo corner unit lid *	1.267	116.00	139.20
Oslo WC unit lid	1.075	63.00	75.60

FEATURES

- Soft close system on doors
- Wall cupboards are reversible
- Modular versatile system



Oslo 44 - Internal Drawer / Push Drawer

OSLO 44 INTERNAL DRAWER UNIT

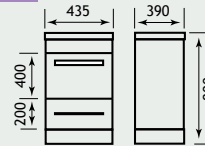


Oslo unit featuring a hidden internal drawer to maximise storage. For compatible basins, please see opposite page.

FEATURES - UNIT

- Soft close system on drawers
- Three drawers in total

1.767



Oslo 44 Internal Drawer Unit

Description	Code	£ Ex VAT	£ Inc VAT
Oslo 44 Unit with Internal Drawer	1.767	577.00	692.40

OSLO 44 WALL HUNG INTERNAL DRAWER UNIT

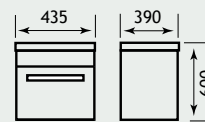


Oslo unit featuring a hidden internal drawer to maximise storage. For compatible basins, please see opposite page.

FEATURES - UNIT

- Soft close system on drawers
- Two drawers in total

1.801



Oslo 44 Wall Hung Internal Drawer Unit

Description	Code	£ Ex VAT	£ Inc VAT
Oslo 44 Wall Hung Unit with Internal Drawer	1.801	466.00	559.20

OSLO 44 PUSH DRAWER UNIT



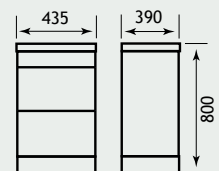
Double Push
Drawer
Mechanism
x 2

Oslo Unit featuring a double push drawer mechanism for a sleek and contemporary look.

FEATURES - UNIT

- Soft close system on drawers
- Two drawers in total

1.805



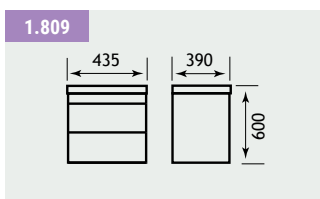
Oslo 44 Push Drawer Unit

Description	Code	£ Ex VAT	£ Inc VAT
Oslo 44 Push Drawer Unit	1.805	445.00	534.00

Oslo 44 - Internal Drawer / Push Drawer



Oslo Unit featuring a double push drawer mechanism for a sleek and contemporary look.

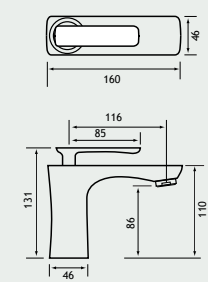
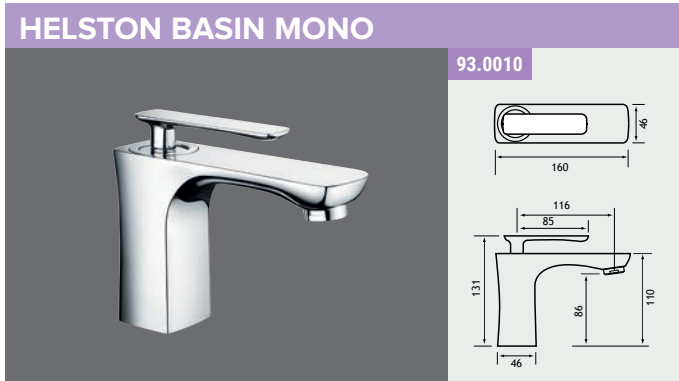


FEATURES - UNIT

- Soft close system on drawers
- Two drawers in total

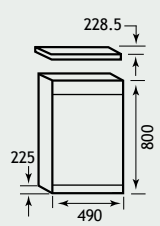
Oslo 44 Wall Hung Push Drawer Unit			
Description	Code	£ Ex VAT	£ Inc VAT
Oslo 44 Wall Hung Push Drawer Unit	1.809	420.00	504.00

Complete the LOOK



Description	Code	£ Ex VAT	£ Inc VAT
Helston Basin Mono (inc waste) Chrome	93.0010	115.00	138.00

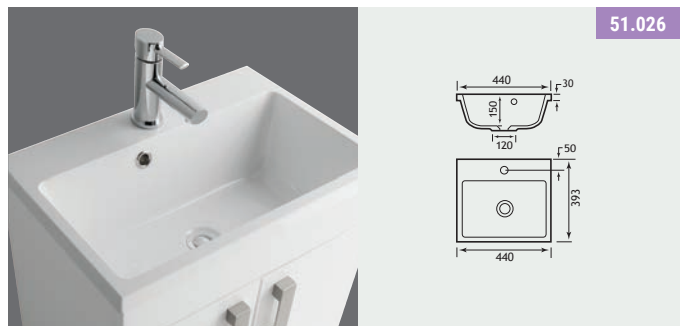
For additional Helston colour options, see page 858.



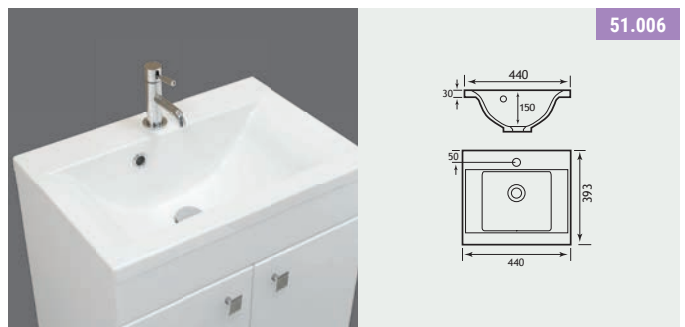
Description	Code	£ Ex VAT	£ Inc VAT
Oslo WC unit only	1.287	326.00	391.20
Oslo WC unit lid	1.075	63.00	75.60
Oslo WC unit plinth	1.288	18.00	21.60



Status 44 Cast Top			
Description	Code	£ Ex VAT	£ Inc VAT
Status 44cm cast top*	51.023	216.00	259.20



Quantum 44 Cast Top			
Description	Code	£ Ex VAT	£ Inc VAT
Quantum 44cm cast top*	51.026	223.00	267.60



Oslo 44 Cast Top			
Description	Code	£ Ex VAT	£ Inc VAT
Oslo 44cm cast top*	51.006	192.00	230.40

- FEATURES - CAST MARBLE TOPS**
- Made of 75% natural marble stone
 - Repairable if chipped
 - Seamless surface, easy to maintain

Extras			
Description	Code	£ Ex VAT	£ Inc VAT
Trap for external overflow kit	7.0015	24.00	28.80
Flip Top Basin Waste - Unslotted	25.0005	19.00	22.80

*7.0015 trap and unslotted basin waste recommended for installation.

Oslo 58 - Internal Drawer / Push Drawer

OSLO 58 INTERNAL DRAWER UNIT

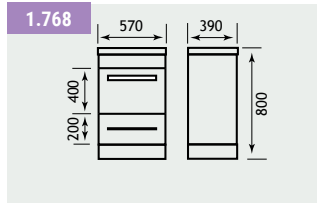


Compatible 580 Basin Tops on page 283 >>

Oslo unit featuring a hidden internal drawer to maximise storage. For compatible basins, please see opposite page.

FEATURES - UNIT

- Soft close system on drawers
- Three drawers in total



Oslo 58 Internal Drawer Unit

Description	Code	£ Ex VAT	£ Inc VAT
Oslo 58 Unit with Internal Drawer	1.768	632.00	758.40

OSLO 58 WALL HUNG INTERNAL DRAWER UNIT

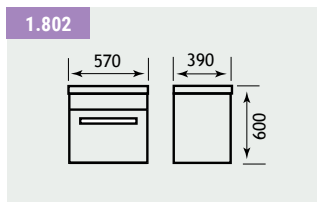


Compatible 580 Basin Tops on page 283 >>

Oslo unit featuring a hidden internal drawer to maximise storage. For compatible basins, please see opposite page.

FEATURES - UNIT

- Soft close system on drawers
- Two drawers in total



Oslo 58 Wall Hung Internal Drawer Unit

Description	Code	£ Ex VAT	£ Inc VAT
Oslo 58 Wall Hung Unit with Internal Drawer	1.802	516.00	619.20

OSLO 58 PUSH DRAWER UNIT



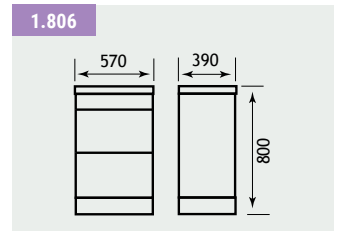
Compatible 580 Basin Tops on page 283 >>

Double Push
Drawer
Mechanism
x 2

Oslo Unit featuring a double push drawer mechanism for a sleek and contemporary look.

FEATURES - UNIT

- Soft close system on drawers
- Three drawers in total



Oslo 58 Push Drawer Unit

Description	Code	£ Ex VAT	£ Inc VAT
Oslo 58 Push Drawer Unit	1.806	479.00	574.80

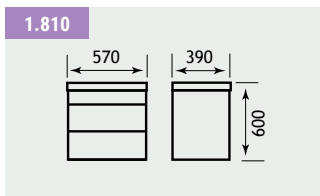
Oslo 58 - Internal Drawer / Push Drawer



Oslo Unit featuring a double push drawer mechanism for a sleek and contemporary look.

FEATURES - UNIT

- Soft close system on drawers
- Two drawers in total



Oslo 58 Wall Hung Push Drawer Unit			
Description	Code	£ Ex VAT	£ Inc VAT
Oslo 58 Wall Hung Push Drawer Unit	1.810	448.00	537.60

Complete the LOOK

HELSTON BASIN MONO

93.0010

46 160 116 85 131 46 86 110

Description	Code	£ Ex VAT	£ Inc VAT
Helston Basin Mono (inc waste) Chrome	93.0010	115.00	138.00

OSLO WC UNIT

1.287/1.075/1.288

228.5 800 225 490

Description	Code	£ Ex VAT	£ Inc VAT
Oslo WC unit only	1.287	326.00	391.20
Oslo WC unit lid	1.075	63.00	75.60
Oslo WC unit plinth	1.288	18.00	21.60

OSLO 58 COMPATIBLE BASINS

Oslo base units create a stunning impression with their simplistic yet sophisticated design. Choosing a basin that matches your selection of tap or accessories unites all design elements to display an effortless look.

51.024

580 160 130 30 50 393 580

Status 58 Cast Top

Description	Code	£ Ex VAT	£ Inc VAT
Status 58cm cast top*	51.024	241.00	289.20

51.027

580 160 120 30 50 393 580

Quantum 58 Cast Top

Description	Code	£ Ex VAT	£ Inc VAT
Quantum 58cm cast top*	51.027	252.00	302.40

51.007

579 160 120 30 50 393 580 1180 50

Oslo 58 Cast Top

Description	Code	£ Ex VAT	£ Inc VAT
Oslo 58c cast top*	51.007	211.00	253.20

- FEATURES - CAST MARBLE TOPS**
- Made of 75% natural marble stone
 - Repairable if chipped
 - Seamless surface, easy to maintain

Extras

Description	Code	£ Ex VAT	£ Inc VAT
Trap for external overflow kit	7.0015	24.00	28.80
Flip Top Basin Waste - Unslotted	25.0005	19.00	22.80

*7.0015 trap and unslotted basin waste recommended for installation.

Oslo 80 - Internal Drawer / Push Drawer Range

OSLO 80 INTERNAL DRAWER UNIT

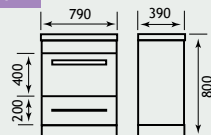


Oslo unit featuring a hidden internal drawer to maximise storage. For compatible basin, please see opposite page.

FEATURES - UNIT

- Soft close system on drawers
- Three drawers in total

1.769



Oslo 80 Internal Drawer Unit

Description	Code	£ Ex VAT	£ Inc VAT
Oslo 80 Unit with Internal Drawer	1.769	707.00	848.40
Oslo 80 cast top	51.008	267.00	320.40

OSLO 80 WALL HUNG INTERNAL DRAWER UNIT

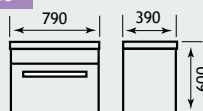


Oslo unit featuring a hidden internal drawer to maximise storage. For compatible basin, please see opposite page.

FEATURES - UNIT

- Soft close system on drawers
- Two drawers in total

1.803



Oslo 80 Wall Hung Internal Drawer Unit

Description	Code	£ Ex VAT	£ Inc VAT
Oslo 80 Wall Hung Unit with Internal Drawer	1.803	591.00	709.20
Oslo 80 cast top	51.008	267.00	320.40

OSLO 80 PUSH DRAWER UNIT



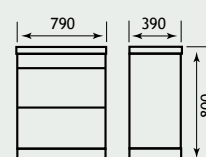
Double Push
Drawer
Mechanism
x 2

Oslo Unit featuring a double push drawer mechanism for a sleek and contemporary look.

FEATURES - UNIT

- Soft close system on drawers
- Two drawers in total

1.807



Oslo 80 Push Drawer Unit

Description	Code	£ Ex VAT	£ Inc VAT
Oslo 80 Push Drawer Unit	1.807	541.00	649.20
Oslo 80 cast top	51.008	267.00	320.40

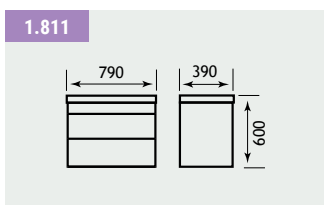
Oslo 80 - Internal Drawer / Push Drawer



Oslo Unit featuring a double push drawer mechanism for a sleek and contemporary look.

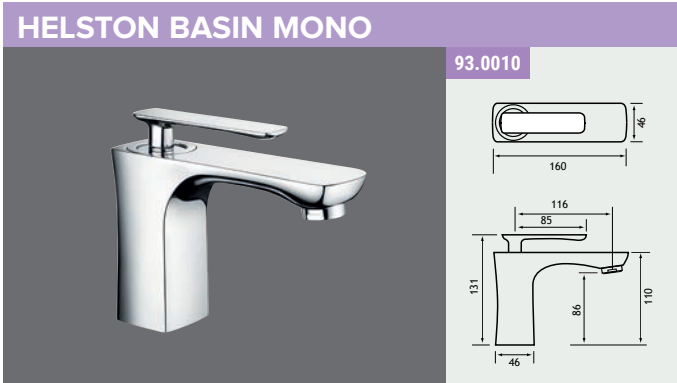
FEATURES - UNIT

- Soft close system on drawers
- Two drawers in total

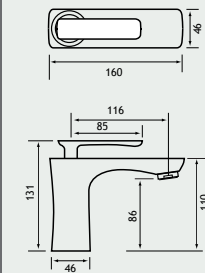


Oslo 80 Wall Hung Push Drawer Unit			
Description	Code	£ Ex VAT	£ Inc VAT
Oslo 80 Wall Hung Push Drawer Unit	1.811	487.00	584.40

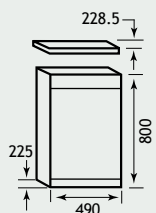
Complete the LOOK



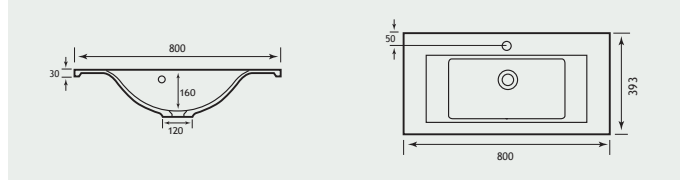
Description	Code	£ Ex VAT	£ Inc VAT
Helston Basin Mono (inc waste) Chrome	93.0010	115.00	138.00



Description	Code	£ Ex VAT	£ Inc VAT
Oslo WC unit only	1.287	326.00	391.20
Oslo WC unit lid	1.075	63.00	75.60
Oslo WC unit plinth	1.288	18.00	21.60



Oslo base units create a stunning impression with their simplistic yet sophisticated design. Choosing a basin that matches your selection of tap or accessories unites all design elements to display an effortless look.



Oslo 80 Cast Top			
Description	Code	£ Ex VAT	£ Inc VAT
Oslo 80 cast top	51.008	267.00	320.40

FEATURES - CAST MARBLE TOPS

- Made of 75% natural marble stone
- Repairable if chipped
- Seamless surface, easy to maintain

Extras			
Description	Code	£ Ex VAT	£ Inc VAT
Trap for external overflow kit	7.0015	24.00	28.80
Flip Top Basin Waste - Unslotted	25.0005	19.00	22.80

*7.0015 trap and unslotted basin waste recommended for installation.

Oslo 100 - Internal Drawer / Push Drawer

OSLO 100 INTERNAL DRAWER UNIT

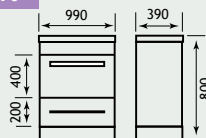


Oslo unit featuring a hidden internal drawer to maximise storage. For compatible basin, please see opposite page.

FEATURES - UNIT

- Soft close system on drawers
- Three drawers in total

1.770



Oslo 100 Internal Drawer Unit

Description	Code	£ Ex VAT	£ Inc VAT
Oslo 100 Unit with Internal Drawer	1.770	778.00	933.60
Oslo 100 cast top	51.009	301.00	361.20

OSLO 100 WALL HUNG INTERNAL DRAWER UNIT

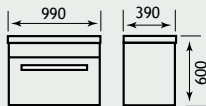


Oslo unit featuring a hidden internal drawer to maximise storage. For compatible basin, please see opposite page.

FEATURES - UNIT

- Soft close system on drawers
- Two drawers in total

1.804



Oslo 100 Wall Hung Internal Drawer Unit

Description	Code	£ Ex VAT	£ Inc VAT
Oslo 100 Wall Hung Unit with Internal Drawer	1.804	657.00	788.40
Oslo 100 cast top	51.009	301.00	361.20

OSLO 100 PUSH DRAWER UNIT



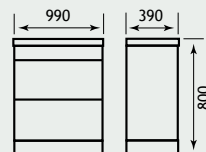
Double Push
Drawer
Mechanism
x 2

Oslo Unit featuring a double push drawer mechanism for a sleek and contemporary look.

FEATURES - UNIT

- Soft close system on drawers
- Two drawers in total

1.808



Oslo 100 Push Drawer Unit

Description	Code	£ Ex VAT	£ Inc VAT
Oslo 100 Push Drawer Unit	1.808	585.00	702.00
Oslo 100 cast top	51.009	301.00	361.20

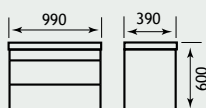
Oslo 100 - Internal Drawer / Push Drawer

OSLO 100 WALL HUNG PUSH DRAWER UNIT



Oslo Unit featuring a double push drawer mechanism for a sleek and contemporary look.

1.812



FEATURES - UNIT

- Soft close system on drawers
- Two drawers in total

Oslo 100 Wall Hung Push Drawer Unit

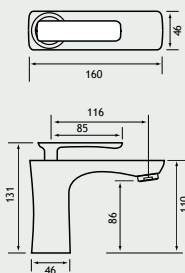
Description	Code	£ Ex VAT	£ Inc VAT
Oslo 100 Wall Hung Push Drawer Unit	1.812	520.00	624.00

Complete the LOOK

HELSTON BASIN MONO



93.0010

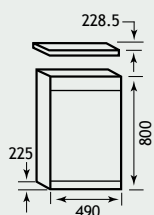


Description	Code	£ Ex VAT	£ Inc VAT
Helston Basin Mono (inc waste) Chrome	93.0010	115.00	138.00

OSLO WC UNIT



1.287/1.075/1.288



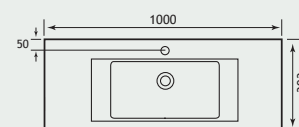
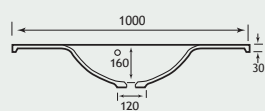
Description	Code	£ Ex VAT	£ Inc VAT
Oslo WC unit only	1.287	326.00	391.20
Oslo WC unit lid	1.075	63.00	75.60
Oslo WC unit plinth	1.288	18.00	21.60

OSLO 100 BASIN

Oslo base units create a stunning impression with their simplistic yet sophisticated design. Choosing a basin that matches your selection of tap or accessories unites all design elements to display an effortless look.



51.009



Oslo 100 Cast Top

Description	Code	£ Ex VAT	£ Inc VAT
Oslo 100cm cast top*	51.009	301.00	361.20

Extras

Description	Code	£ Ex VAT	£ Inc VAT
Trap for external overflow kit	7.0015	24.00	28.80
Flip Top Basin Waste - Unslotted	25.0005	19.00	22.80

*7.0015 trap and unslotted basin waste recommended for installation.

Oslo Max Range

OSLO MAX CORNER BASE UNIT



Oslo Max			
Description	Code	£ Ex VAT	£ Inc VAT
Oslo Max Corner Base Unit LH	1.301	495.00	594.00
Oslo Max Corner Base Unit RH	1.302	495.00	594.00
Oslo Max cistern unit	1.303	329.00	394.80
Oslo Max Long top LH *	51.039	349.00	418.80
Oslo Max Long top RH *	51.040	349.00	418.80
Oslo Max Single top LH *	51.041	247.00	296.40
Oslo Max Single top RH *	51.042	247.00	296.40
Bonito Slab top 600 for WC unit	51.021	123.00	147.60

Plinth included. *Due to depth of the waste area, the trap for external overflow kit & a flip top basin waste (unslotted) are recommended for installation.

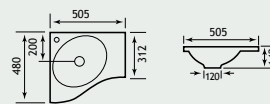
Extras			
Description	Code	£ Ex VAT	£ Inc VAT
Trap for external overflow kit	7.0015	24.00	28.80
Flip Top Basin Waste - Unslotted	25.0005	19.00	22.80
Bivieve 600 x 800mm LED Mirror	40.1013	240.00	261.60

*7.0015 trap and unslotted basin waste recommended for installation.

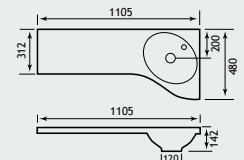
BTW Pan Extras			
Description	Code	£ Ex VAT	£ Inc VAT
Vantage Plain Hidden Cistern CP Push Button	17.001	180.00	216.00
Vantage Hidden Cistern with Jacket	17.3029	207.00	248.40
Eastbrook Jacket Hidden Cistern - Bottom Inlet	53.001	112.00	134.40
Flexible WC Connector for BTW Pans †	2.009	40.00	48.00

†Pan connector 2.009 is recommended for use with our BTW pans.

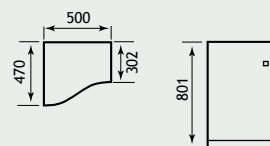
51.041/51.042 (Left hand shown)



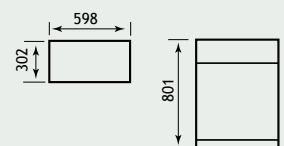
51.040/51.039 (Right hand shown)



1.301/1.302 (Left hand shown)



1.303



Oslo Combination Range

OSLO COMBINATION UNIT



Left hand shown 29.0118

A quirky all-in-one unit with WC and basin combined to maximise restricted space.

Oslo Combination

Description	Code	£ Ex VAT	£ Inc VAT
Oslo Combination Unit LH	29.0118	266.00	319.20
Oslo Combination Unit RH	29.0128	266.00	319.20
Duo Compact Cistern	7.0002	84.00	100.80

NB. Pan, seat, cistern, basin and tap all sold separately, but plain top is included.

Compatible Basins

Description	Code	£ Ex VAT	£ Inc VAT
Oslo/Faro 39 cast top *	51.005	165.00	198.00
Status 390 cast top *	51.022	165.00	198.00
Flip Top Basin Waste - Unslotted	25.0005	19.00	22.80

*Due to depth of the waste area, the trap for external overflow kit & a flip top basin waste (unslotted) are recommended for installation.

Extras

Description	Code	£ Ex VAT	£ Inc VAT
Trap for external overflow kit	7.0015	24.00	28.80
Flip Top Basin Waste - Unslotted	25.0005	19.00	22.80

FEATURES - CAST MARBLE TOPS

- Made of 75% natural marble stone
- Repairable if chipped
- Seamless surface, easy to maintain

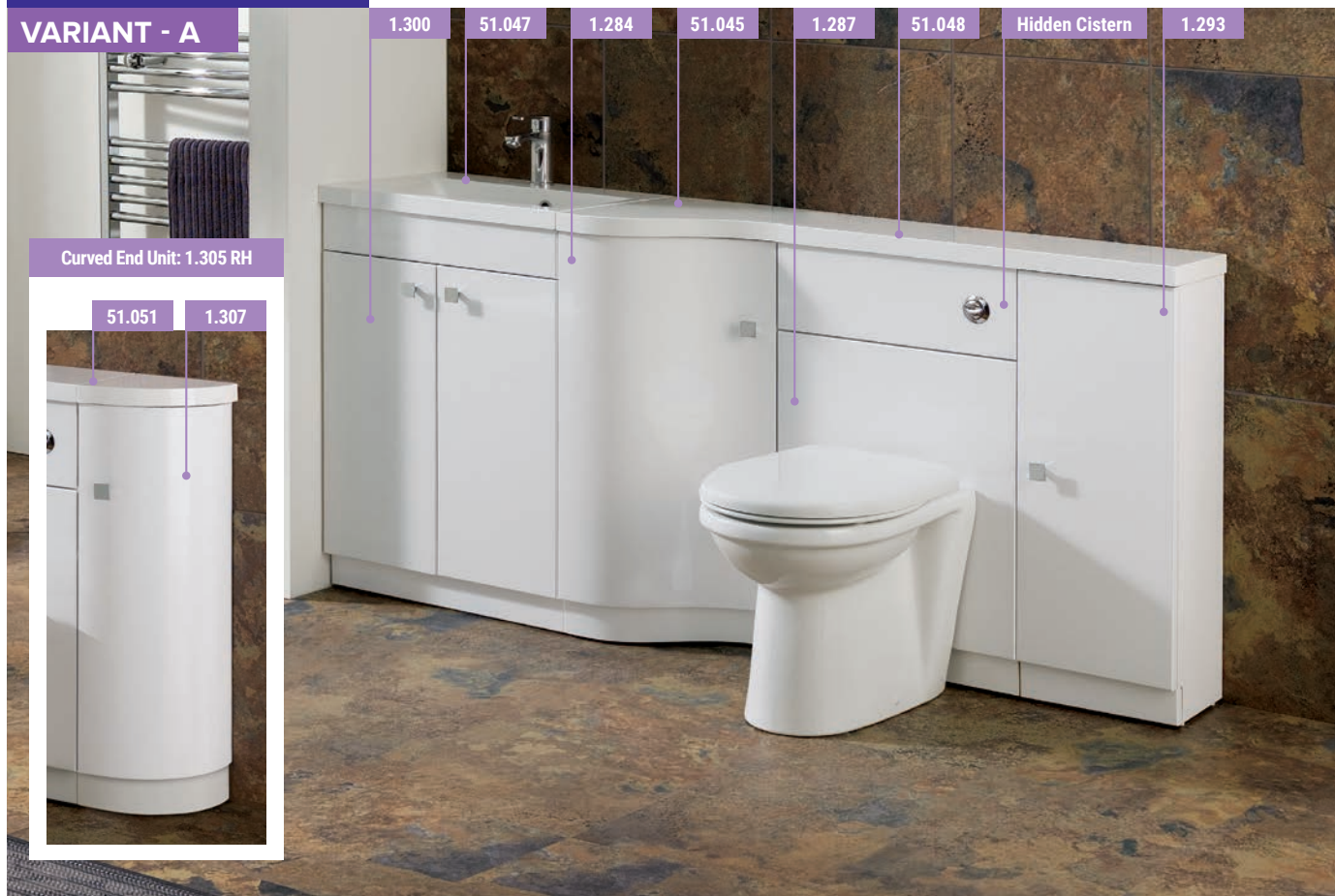


Right hand shown 29.0128

Oslo Combi Range

OSLO CORNER COMBI

VARIANT - A



VARIANT - B



Oslo Combi Range

The Oslo Corner Combi collection is a clean, space efficient range that maximises storage. Choose from a selection of longer or shorter length set-ups to suit your taste and bathroom size.

Oslo Corner Combi

Description	Code	£ Ex VAT	£ Inc VAT
Oslo Combi 580 door base unit	1.300	313.00	375.60
Oslo 580 Combi basin top*	51.047	182.00	218.40

*Due to depth of the waste area, the trap for external overflow kit & a flip top basin waste (unslotted) are recommended for installation.

Oslo Cabinets

Description	Code	£ Ex VAT	£ Inc VAT
Oslo Corner base unit LH	1.284	427.00	512.40
Oslo Corner base unit RH	1.285	427.00	512.40
Oslo 30cm base cupboard, 1 door	1.293	169.00	202.80
Oslo curved end unit LH	1.306	285.00	342.00
Oslo curved end unit RH	1.307	285.00	342.00

Oslo WC Unit

Description	Code	£ Ex VAT	£ Inc VAT
Oslo WC unit only	1.287	326.00	391.20
Oslo WC unit plinth	1.288	18.00	21.60
Plain infill panel 30 x 81cm	1.042	88.00	105.60

For hidden cisterns see pages 194-195.

Plain Tops

Description	Code	£ Ex VAT	£ Inc VAT
Oslo Curved Long top Plain LH	51.043	154.00	184.80
Oslo Curved Long top Plain RH	51.044	154.00	184.80
Oslo Curved Single top Plain LH	51.045	110.00	132.00
Oslo Curved Single top Plain RH	51.046	110.00	132.00
Oslo Slab top 794	51.048	267.00	320.40
Oslo single quad top	51.051	92.00	110.40

Extras

Description	Code	£ Ex VAT	£ Inc VAT
Trap for external overflow kit	7.0015	24.00	28.80
Flip Top Basin Waste - Unslotted	25.0005	19.00	22.80

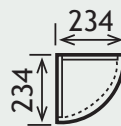
FEATURES

- Soft close system on doors and drawers

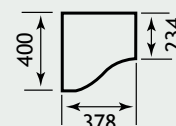
FEATURES - CAST MARBLE TOPS

- Made of 75% natural marble stone
- Repairable if chipped
- Seamless surface, easy to maintain

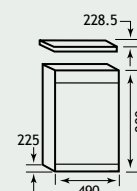
51.051



51.045



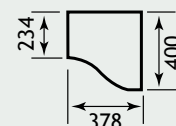
1.075



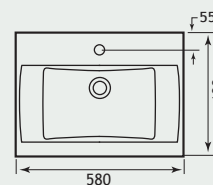
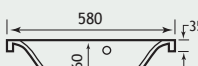
1.287

1.288

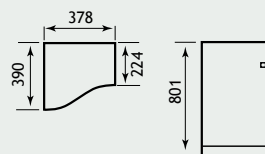
51.046



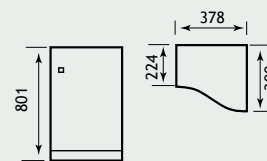
51.047



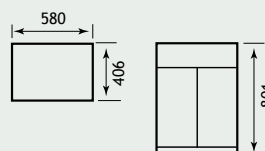
1.284/51.045



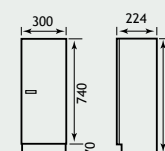
1.285/51.046



1.300



1.293



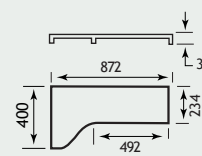
VARIANT - C



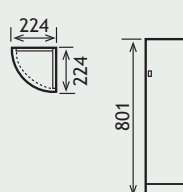
51.048



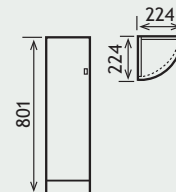
51.043/51.044 LH Shown



1.306/51.049/51.051



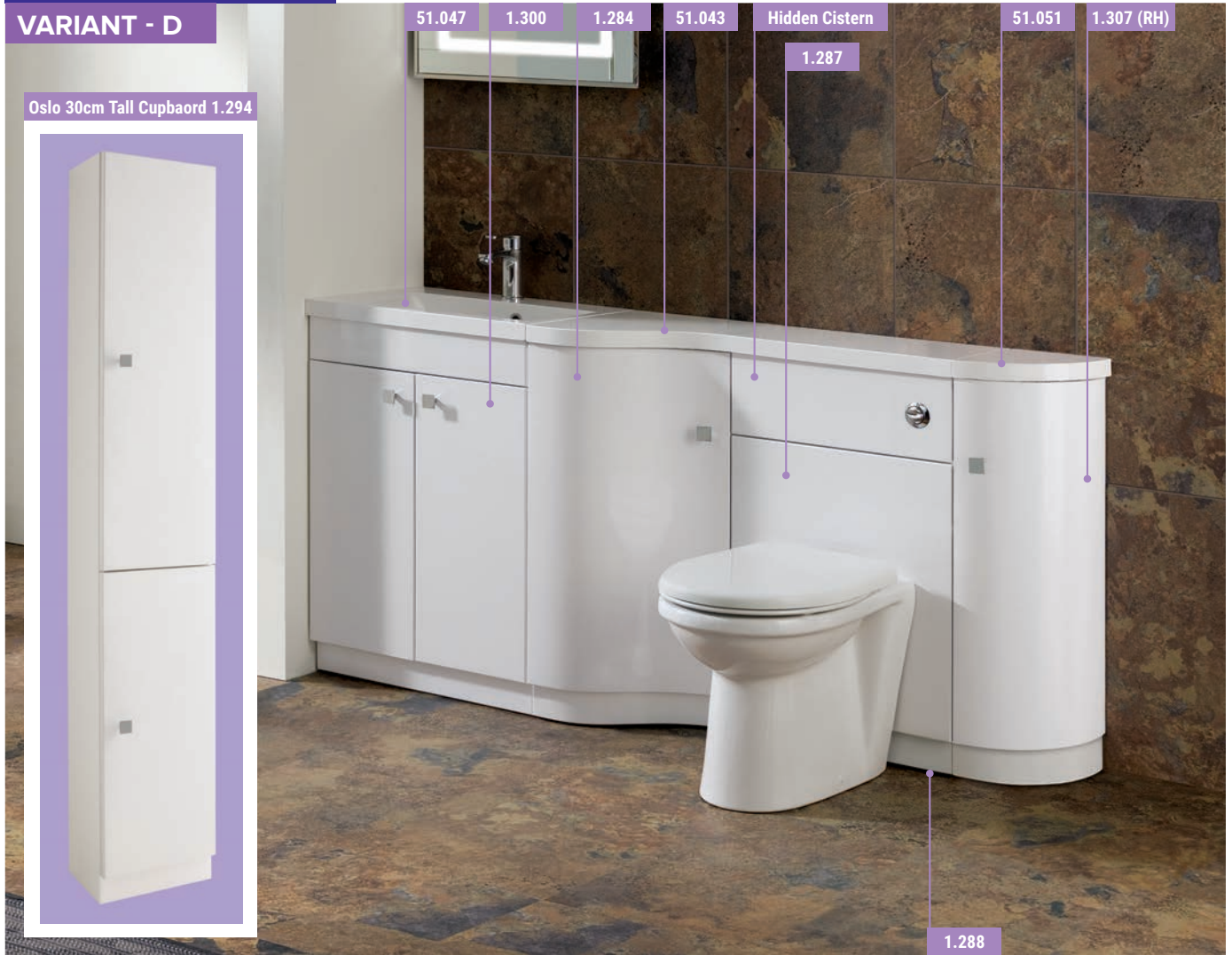
1.307/51.044/51.051



Oslo Combi Range

OSLO CORNER COMBI

VARIANT - D



VARIANT - E



VARIANT - F



Oslo Combi Range

The Oslo Corner Combi collection is a clean, space efficient range that maximises storage. Choose from a selection of longer or shorter length set-ups to suit your taste and bathroom size.

Oslo Corner Combi			
Description	Code	£ Ex VAT	£ Inc VAT
Oslo Corner base unit LH	1.284	427.00	512.40
Oslo Corner base unit RH	1.285	427.00	512.40
Oslo Corner Combi single basin LH*	51.016	192.00	230.40
Oslo Corner Combi single basin RH*	51.017	192.00	230.40
Oslo Corner Combi long basin LH*	51.014	247.00	296.40
Oslo Corner Combi long basin RH*	51.015	247.00	296.40

*Due to depth of the waste area, the trap for external overflow kit & a flip top basin waste (unslotted) are recommended for installation.

Oslo Cabinets			
Description	Code	£ Ex VAT	£ Inc VAT
Oslo Curved Long top Plain LH	51.043	154.00	184.80
Oslo Curved Long top Plain RH	51.044	154.00	184.80
Oslo 30cm base cupboard, 1 door	1.293	169.00	202.80
Oslo 30cm tall cupboard, 2 door	1.294	404.00	484.80
Oslo curved end unit LH	1.306	285.00	342.00
Oslo curved end unit RH	1.307	285.00	342.00
Oslo Combi 580 door base unit	1.300	313.00	375.60

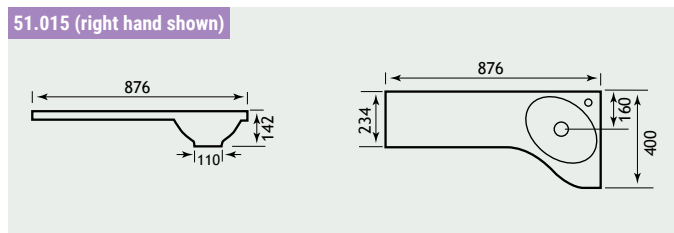
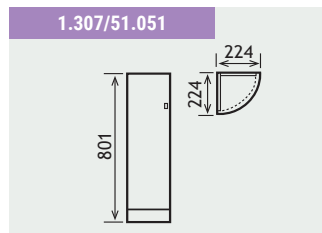
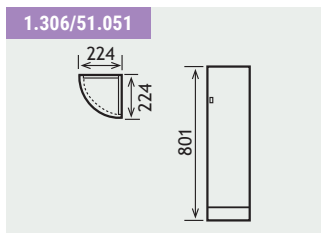
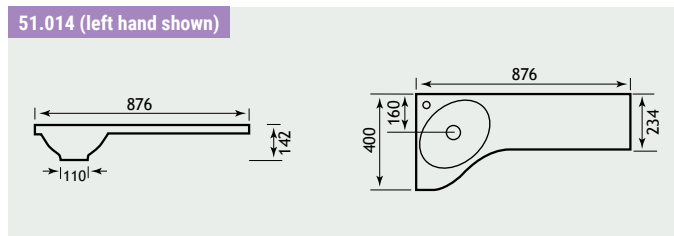
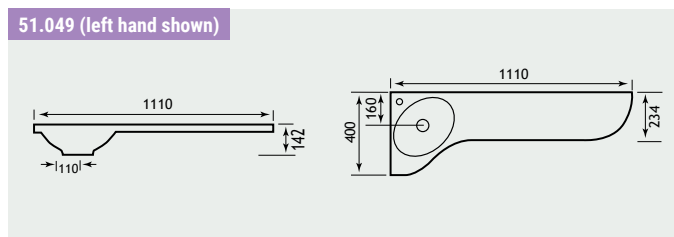
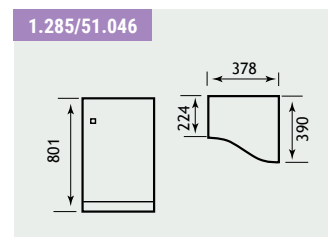
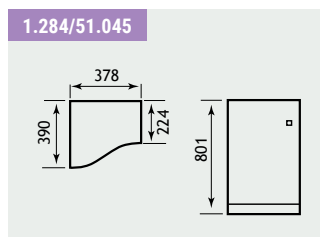
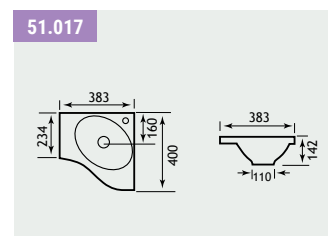
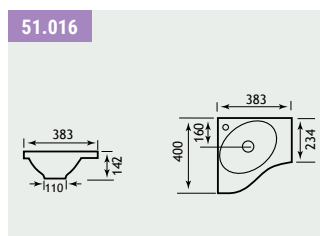
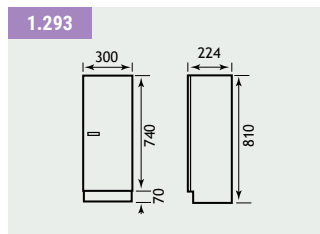
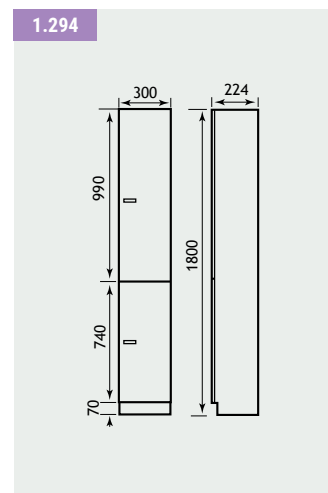
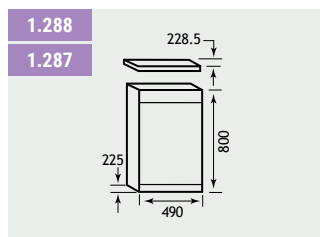
Oslo WC Unit			
Description	Code	£ Ex VAT	£ Inc VAT
Oslo WC unit only†	1.287	326.00	391.20
Oslo WC unit plinth	1.288	18.00	21.60
Plain infill panel 30 x 81cm	1.042	88.00	105.60

Oslo WC unit spares			
Description	Code	£ Ex VAT	£ Inc VAT
Upper panel for 1.287 Oslo WC unit	1.99070	82.00	98.40
Lower panel Oslo 50cm tall cistern unit	1.99046	74.00	88.80

Plain Tops			
Description	Code	£ Ex VAT	£ Inc VAT
Oslo curved end top LH	51.049	256.00	307.20
Oslo curved end top RH	51.050	256.00	307.20
Oslo single quad top	51.051	92.00	110.40
Oslo 580 Combi basin top	51.047	182.00	218.40
Oslo Slab top 794	51.048	267.00	320.40
MDF WC Diamante 50cm top†	1.075	63.00	75.60
Oslo curved end unit LH	1.306	285.00	342.00
Oslo curved end unit RH	1.307	285.00	342.00

†Required 1.075 top and 1.288 plinth. *Due to depth of the waste area, the trap for external overflow kit & a flip top basin waste (unslotted) are recommended for installation.

Extras			
Description	Code	£ Ex VAT	£ Inc VAT
Trap for external overflow kit	7.0015	24.00	28.80
Flip Top Basin Waste - Unslotted	25.0005	19.00	22.80



Oslo Semi Recessed Range

OSLO SEMI RECESSED



Oslo Semi Recessed			
Description	Code	£ Ex VAT	£ Inc VAT
Oslo 60cm WC unit	1.052	326.00	391.20
Oslo 60cm basin unit	1.053	295.00	354.00
Oslo 30cm base drawer unit LH	1.054	179.00	214.80
Oslo 60cm base cupboard with drawer	1.055	303.00	363.60
Oslo 30cm base drawer unit RH	1.056	179.00	214.80

Tops			
Description	Code	£ Ex VAT	£ Inc VAT
Laminate Tops Gloss 1000 x 310 mm	28.006	73.00	87.60
Laminate Tops Gloss 1200 x 310mm	28.009	84.00	100.80
Laminate Tops Gloss 1500 x 310 mm	28.007	84.00	100.80
Laminate Tops Gloss 2000 x 310 mm	28.008	142.00	170.40

Bonito Plinths			
Description	Code	£ Ex VAT	£ Inc VAT
30cm Plinth (height 70mm)	1.011	20.00	24.00
60cm plinth (height 70mm)	1.813	17.00	20.40
90cm plinth (height 70mm)	1.038	24.00	28.80
120cm plinth (height 70mm)	1.039	25.00	30.00
150cm plinth (height 70mm)	1.040	29.00	34.80
180cm plinth (height 70mm)	1.041	31.00	37.20

Basin Unit

The upper panel is supplied uncut (for semi recessed basin)

1.053 Basin Unit		
Width	Depth	Height
600mm	305mm	800mm

*Height excluding countertop and basin

Cupboard & Draw Unit

The upper panel is supplied uncut (for semi recessed basin)

1.055 Cupboard Draw Unit		
Width	Depth	Height
600mm	305mm	800mm

*Height excluding countertop and basin

Base Unit with Drawer

All drawers have metal runners and all doors have metal adjustable hinges. RH shown

1.054 (LH) / 1.056 (RH)		
Width	Depth	Height
300mm	305mm	800mm

*excluding countertop

Concealed Cistern WC unit

with two removable fascia panels. The panels are not pre-drilled or cut (for greater flexibility when fitting)

1.052		
Width	Depth	Height
600mm	305mm	800mm

*Height excluding countertop and basin

Oslo Semi Recessed Slimline Range

OSLO SEMI RECESSED SLIMLINE



Oslo Semi Recessed Slimline			
Description	Code	£ Ex VAT	£ Inc VAT
Oslo slimline basin unit *	1.051	295.00	354.00
Oslo WC unit only *	1.287	326.00	391.20
Laminate Tops Gloss 1200 x 310mm	28.009	84.00	100.80
Kompact reduced depth semi recessed basin 1TH LH	27.0361	120.00	144.00
Kompact reduced depth semi recessed basin 2TH	27.9361	120.00	144.00

*No plinth supplied

Oslo Slimline Plinths			
Description	Code	£ Ex VAT	£ Inc VAT
Oslo WC unit 500mm plinth	1.288	18.00	21.60
Diamante 1090mm plinth	1.077	25.00	30.00
Oslo slimline 600mm basin unit plinth	1.813	17.00	18.00

Extras			
Description	Code	£ Ex VAT	£ Inc VAT
Kompact reduced depth semi recessed basin 1TH LH	27.0361	120.00	144.00
Kompact BTW pan	27.0321	170.00	204.00
Kompact soft close seat	21.1151	151.00	181.20
Fabriano 700 x 500mm LED landscape mirror	40.1004	346.00	415.20

- FEATURES**
- Soft close system on doors and drawers

Slimline Basin Unit

The upper panel is supplied uncut (for semi recessed basin)

1.051		
Width	Depth	Height
600mm	255mm	800mm

Height excluding countertop and basin

Oslo Tall Cistern

OSLO TALL CISTERN UNIT - WHITE



Pan for illustration purposes only

1.278

A Comfort Height cistern unit to complement the Dura Comfort Height BTW pan. Available as a stand alone unit or with the option of two different size cupboards.

Oslo Tall Cistern Unit

Description	Code	£ Ex VAT	£ Inc VAT
Oslo tall cistern unit	1.278	391.00	469.20
Oslo tall cistern unit top	1.279	61.00	73.20
Oslo tall unit cupboard 500 x 800 x 220mm	1.280	263.00	315.60
Oslo tall unit cupboard 500 x 1000 x 220mm	1.281	301.00	361.20
Dura Comfort Height BTW Pan	26.0047	195.00	234.00
Dura Deluxe Soft Close Seat	26.0015	73.00	87.60
Oslo 58cm door base unit	1.068	329.00	394.80
Oslo 58cm cast top	51.007	211.00	253.20
Vantage Plain Hidden Cistern CP Push Button	17.001	180.00	216.00
Eastbrook Jacket Hidden Cistern - Bottom Inlet	53.001	112.00	134.40
Vantage Hidden Cistern with Jacket	17.3029	207.00	248.40
Oslo 30cm tall cupboard, 2 door	1.294	404.00	484.80

For hidden cisterns see pages 194-195

Oslo Tall Cistern Unit Spares

Description	Code	£ Ex VAT	£ Inc VAT
Lower panel Oslo 50cm tall cistern unit	1.99046	74.00	88.80
Upper panel Oslo 50cm tall cistern unit	1.99047	43.00	51.60

FEATURES

- Soft close system on doors

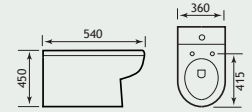
FEATURES - CAST MARBLE TOPS

- Made of 75% natural marble stone
- Repairable if chipped
- Seamless surface, easy to maintain



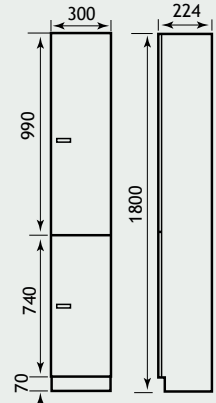
Pan for illustration purposes only

26.0047



Dura Comfort Height BTW pan

1.294

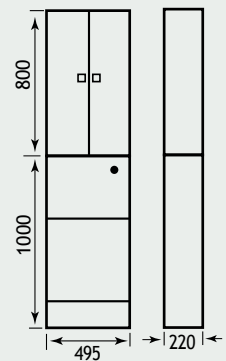


30cm Tall wall cupboard

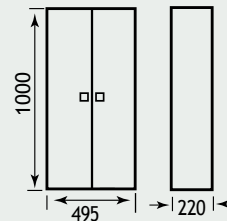


1.294

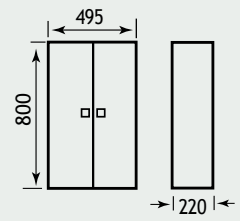
1.278 & 1.280



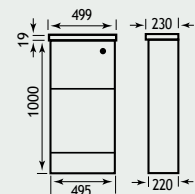
1.281



1.280



1.278 & 1.279



For wall mirrors and cabinets see pages 326-351

Oslo Tall Cistern

OSLO TALL CISTERN UNIT - MATT ANTHRACITE



A Comfort Height cistern unit that adapts your bathroom storage needs into a spacesaving solution. Available as a stand alone unit or with the option of two different size cupboards.

Alternative basins see page 283

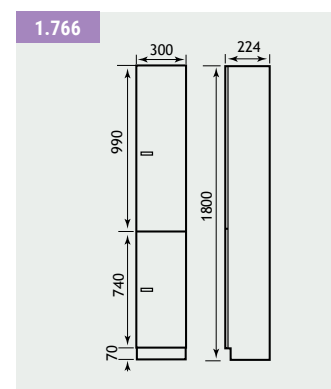
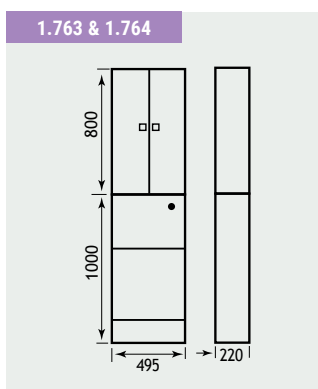
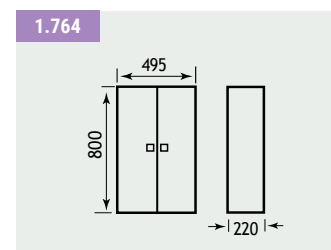
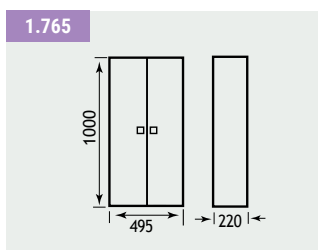
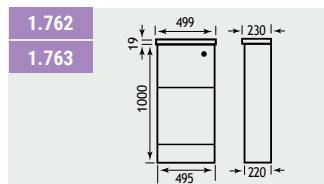
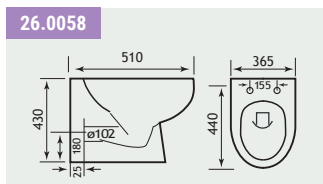
Oslo Tall Cistern Unit - Matt Anthracite

Description	Code	£ Ex VAT	£ Inc VAT
Oslo tall cistern unit Matt Anthracite	1.762	391.00	469.20
Oslo tall cistern unit top Matt Anthracite	1.763	61.00	73.20
Oslo tall unit cupboard 500 x 800 Matt Anthracite	1.764	263.00	315.60
Oslo tall unit cupboard 500x1000 Matt Anthracite	1.765	301.00	361.20
Oslo 30cm tall cupboard Matt Anthracite	1.766	404.00	484.80
Oslo 58cm Matt Anthracite door base unit	1.757	329.00	394.80
Oslo 58 cast top *	51.007	211.00	253.20
Farrington BTW pan	26.0058	212.00	254.40
Northall / Farrington Wrap Over Soft Close Seat	26.0056	74.00	88.80
Vantage Plain Hidden Cistern CP Push Button	17.001	180.00	216.00
Eastbrook Jacket Hidden Cistern - Bottom Inlet	53.001	112.00	134.40
Vantage Hidden Cistern with Jacket	17.3029	207.00	248.40

*Due to depth of waste area, trap for external overflow kit & flip top basin waste are recommended for installation.

Extras

Description	Code	£ Ex VAT	£ Inc VAT
Trap for external overflow kit	7.0015	24.00	28.80
Flip Top Basin Waste - Unslotted	25.0005	19.00	22.80
Esk 600 x 700mm LED mirror	56.1079	277.00	332.40



Oslo Tall Cistern

OSLO TALL CISTERN UNIT - DARK WALNUT



A Comfort Height cistern unit to complement the Dura Comfort Height BTW pan. Available as a stand alone unit or with the option of two different size cupboards.

Oslo Tall Cistern Unit - Dark Walnut

Description	Code	£ Ex VAT	£ Inc VAT
Oslo Tall Cistern Unit	59.0004	291.00	349.20
Oslo Tall Cistern Unit top	59.0005	54.00	64.80
Oslo tall unit cupboard 500 x 800 x 200mm †	59.0006	252.00	302.40
Oslo tall unit cupboard 500 x 1000 x 200mm †	59.0007	284.00	340.80
Dura Comfort Height BTW Pan	26.0047	195.00	234.00
Dura Deluxe Soft Close Seat	26.0015	73.00	87.60
Vantage Plain Hidden Cistern CP Push Button	17.001	180.00	216.00
Eastbrook Jacket Hidden Cistern - Bottom Inlet	53.001	112.00	134.40
Vantage Hidden Cistern with Jacket	17.3029	207.00	248.40

†Can be wall mounted as a stand alone unit.

Oslo 58 Unit - Dark Walnut

Description	Code	£ Ex VAT	£ Inc VAT
Oslo 58cm door base unit	59.0002	368.00	441.60
Oslo 58 cast top*	51.007	211.00	253.20

*Due to depth of the waste area, the trap for external overflow kit & a flip top basin waste (unslotted) are recommended for installation.

Extras

Description	Code	£ Ex VAT	£ Inc VAT
Trap for external overflow kit	7.0015	24.00	28.80
Flip Top Basin Waste - Unslotted	25.0005	19.00	22.80

See page 283 for alternative matching basins.
For hidden cisterns see pages 201-203.

FEATURES

- Soft close system on doors

FEATURES - CAST MARBLE TOPS

- Made of 75% natural marble stone
- Repairable if chipped
- Seamless surface, easy to maintain

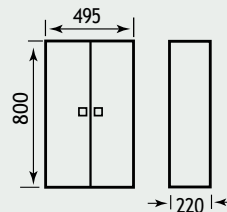
FEATURES

- Soft close system on doors
- Separate shaver socket
- Cornice has LED spotlights

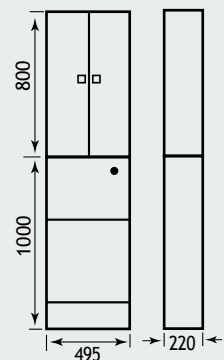
FEATURES - CAST MARBLE TOPS

- Made of 75% natural marble stone
- Repairable if chipped
- Seamless surface, easy to maintain

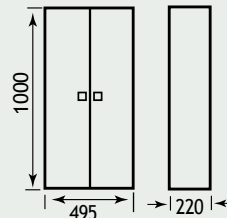
59.0006



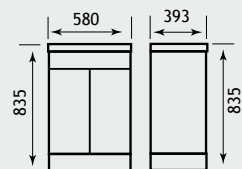
59.0004 & 59.0006



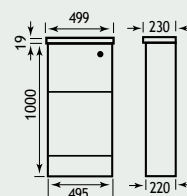
59.0007



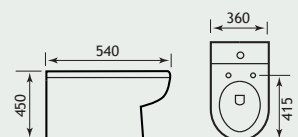
59.0002 & 51.007



59.0004 & 59.0005



26.0047



Oslo Reduced Depth

OSLO REDUCED DEPTH CISTERN UNIT



A new Comfort Height cistern to complement the Collindale Comfort Height BTW pan. Available as a stand alone unit or with the option of two different size cupboards.

Oslo 58 Base and Top			
Description	Code	£ Ex VAT	£ Inc VAT
Oslo 58cm door base unit	1.068	329.00	394.80
Oslo 58 cast top *	51.007	211.00	253.20
Sorrento 45cm LED cornice	1.520	197.00	236.40
Sorrento 40cm mirror †	1.418	126.00	151.20

*Due to depth of the waste area, the trap for external overflow kit & a flip top basin waste (unslotted) are recommended for installation. †Mirror must be fitted with a cornice.

Oslo Wide Cistern Unit			
Description	Code	£ Ex VAT	£ Inc VAT
Oslo wide cistern unit	1.289	391.00	469.20
Oslo wide cistern unit top	1.290	61.00	73.20
Oslo wide wall cupboard 690x165x500	1.291	263.00	315.60
Oslo wide wall cupboard 690x165x700	1.292	301.00	361.20
Collindale Rimless Comfort Height BTW Pan	26.0068	253.00	303.60
Bijou / Collindale Soft Close Seat	26.0070	82.00	98.40

Oslo Wide Cistern Unit Spares			
Description	Code	£ Ex VAT	£ Inc VAT
Lower panel Oslo wide cistern unit	1.99060	98.00	117.60
Upper panel Oslo wide cistern unit	1.99061	93.00	111.60

Extras			
Description	Code	£ Ex VAT	£ Inc VAT
Trap for external overflow kit	7.0015	24.00	28.80
Flip Top Basin Waste - Unslotted	25.0005	19.00	22.80

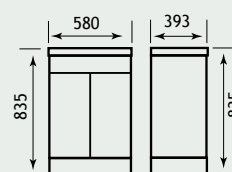
FEATURES

- Soft close system on doors
- Separate shaver socket
- Cornice has LED spotlights

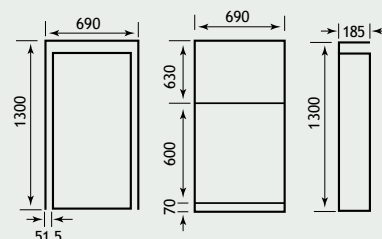
FEATURES - CAST MARBLE TOPS

- Made of 75% natural marble stone
- Repairable if chipped
- Seamless surface, easy to maintain

1.068 & 51.007



1.290 & 1.289



Oslo Wall Hung

OSLO 39 WALL HUNG UNITS



Oslo 39 Wall Hung Units

Description	Code	£ Ex VAT	£ Inc VAT
Oslo 390 Shallow Height Wall Hung Unit	29.0138	93.00	111.60
Oslo 390 Double Height Wall Hung Door Unit	29.0148	169.00	202.80
Oslo/Faro 39 cast top*	51.005	165.00	198.00
Oslo 1400 x 300 x 259 Two Door Wall Unit †	29.0178	336.00	403.20

*Due to depth of the waste area, the trap for external overflow kit & a flip top basin waste (unslotted) are recommended for installation. †Doors can be rehanded on installation.

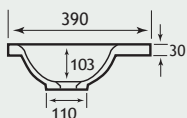
Extras

Description	Code	£ Ex VAT	£ Inc VAT
Trap for external overflow kit	7.0015	24.00	28.80
Flip Top Basin Waste - Unslotted	25.0005	19.00	22.80

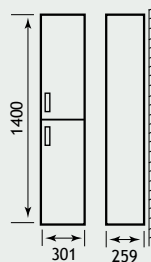
FEATURES

- Soft close system on doors
- FEATURES - CAST MARBLE TOPS**
- Made of 75% natural marble stone
- Repairable if chipped
- Seamless surface, easy to maintain

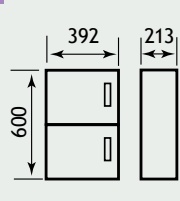
51.005



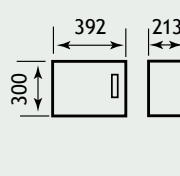
29.0178



29.0148



29.0138



29.0148



29.0138



Oslo Wall Hung

OSLO 44 WALL HUNG UNITS

NORTHALL RIMLESS PAN Complete the LOOK
PAGE 184-185



Oslo 44 Wall Hung Units

Description	Code	£ Ex VAT	£ Inc VAT
Oslo 440 Two Drawer Wall Hung Unit	29.0158	311.00	373.20
Oslo 44 cast top*	51.006	192.00	230.40
Oslo 1400 x 300 x 259 Two Door Wall Unit†	29.0178	336.00	403.20

*Due to depth of the waste area, the trap for external overflow kit & a flip top basin waste (unslotted) are recommended for installation. †Doors can be rehanded on installation.

Extras

Description	Code	£ Ex VAT	£ Inc VAT
Trap for external overflow kit	7.0015	24.00	28.80
Flip Top Basin Waste - Unslotted	25.0005	19.00	22.80

FEATURES

- Soft close system drawers

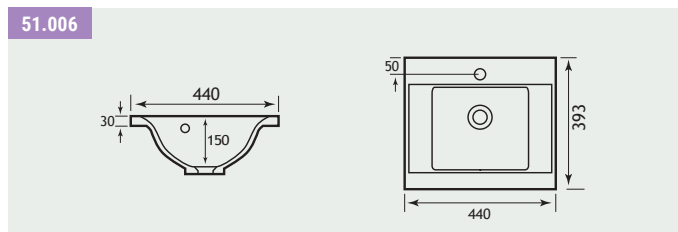
FEATURES - CAST MARBLE TOPS

- Made of 75% natural marble stone
- Repairable if chipped
- Seamless surface, easy to maintain

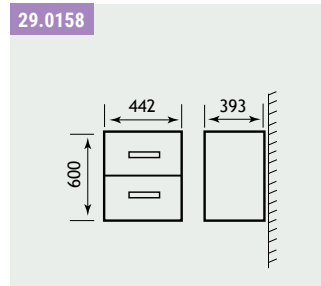


29.0158

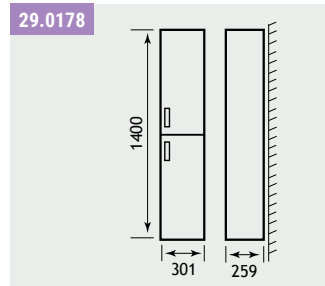
51.006



29.0158



29.0178



Oslo Wall Hung

OSLO 58 WALL HUNG UNITS



51.007

29.0168

29.0178

Oslo 58 Wall Hung Units

Description	Code	£ Ex VAT	£ Inc VAT
Oslo 580 Two Drawer Wall Hung Unit	29.0168	325.00	390.00
Oslo 58 cast top*	51.007	211.00	253.20
Oslo 1400 x 300 x 259 Two Door Wall Unit†	29.0178	336.00	403.20

*Due to depth of the waste area, the trap for external overflow kit & a flip top basin waste (unslotted) are recommended for installation. †Doors can be rehanded on installation.

Extras

Description	Code	£ Ex VAT	£ Inc VAT
Trap for external overflow kit	7.0015	24.00	28.80
Flip Top Basin Waste - Unslotted	25.0005	19.00	22.80

FEATURES

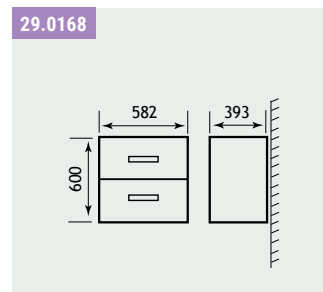
- Soft close system on doors and drawers

FEATURES - CAST MARBLE TOPS

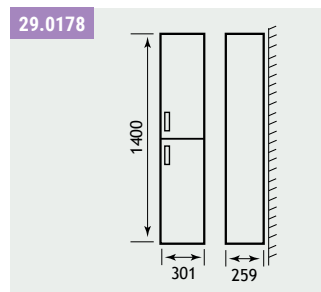
- Made of 75% natural marble stone
- Repairable if chipped
- Seamless surface, easy to maintain



29.0168



29.0168



29.0178

SEVILLE TABLEAU - WHITE GLOSS



56.1075

52.117

1.324

51.032

Pictured 1.324

A contemporary take on the bathroom unit, this minimalist shelf will transform your bathroom. Supplied with wall brackets.

Seville Vanity Tableau in White Gloss			
Description	Code	£ Ex VAT	£ Inc VAT
Seville 500mm vanity tableau inc wall bracket	1.321	370.00	444.00
Seville 600mm vanity tableau inc wall brackets	1.322	411.00	493.20
Seville 800mm vanity tableau inc wall bracket	1.323	488.00	585.60
Seville 1000mm vanity tableau inc wall bracket	1.324	568.00	681.60
Rondo sit on basin 412mm	51.032	202.00	242.40

Optional Towel Rails See Picture Above			
Description	Code	£ Ex VAT	£ Inc VAT
Single Towel Rail 450mm Chrome	52.117	57.00	68.40
Single Towel Rail 550mm Chrome	52.118	58.00	69.60
Single Towel Rail 750mm Chrome	52.119	62.00	74.40
Single Towel Rail 950mm Chrome	52.120	66.00	79.20

- FEATURES**
- Hidden wall brackets
 - Two colour options available



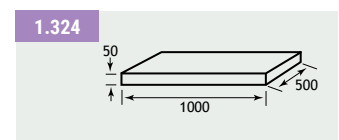
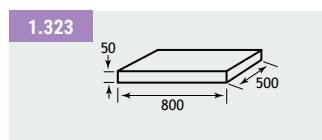
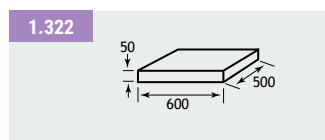
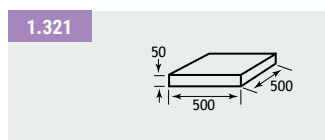
Pictured 1.321



Pictured 1.322



Pictured 1.323



Seville

SEVILLE TABLEAU - WASHED ASH



Seville Tableau
1000 Washed Ash

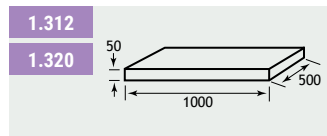
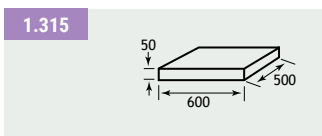
Seville Vanity Tableau In Washed Ash

Description	Code	£ Ex VAT	£ Inc VAT
Seville 500 vanity tableau inc wall bracket†	1.313	336.00	403.20
Seville 1000 vanity tableau inc wall bracket†	1.320	417.00	500.40
Rondo sit on basin 412	51.032	202.00	242.40

†While stocks last

Optional Towel Rails

Description	Code	£ Ex VAT	£ Inc VAT
Single towel rail 450mm Chrome	52.117	57.00	68.40
Single Towel Rail 550mm Chrome	52.118	58.00	69.60
Single Towel Rail 750mm Chrome	52.119	62.00	74.40
Single Towel Rail 950mm Chrome	52.120	66.00	79.20



Pictured - 1.313

Sorrento Slab

SORRENTO SLAB 45



Sorrento Slab 45 White Gloss with Rondo sit on basin (see page 184)

A modern design of a traditional concept with soft close hinges, adjustable feet and solid ceramic top which accommodates a variety of sit-on basins.

Sorrento Slab 45			
Description	Code	£ Ex VAT	£ Inc VAT
Sorrento 41cm base unit *	1.510	357.00	428.40
Sorrento 45 Slab top	51.035	131.00	157.20
Rondo sit on basin 412	51.032	202.00	242.40
Prado 550 high rise mono basin	56.2002	131.00	157.20
Sorrento short legs - pack of 4	1.305	32.00	38.40

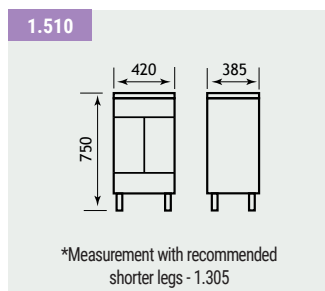
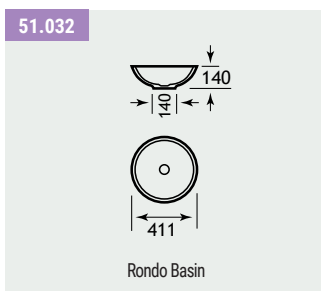
*1.305 shorter legs are advised when using slab top on floor mounted units to compensate for extra height of sit-on basin.

FEATURES

- Soft close system on doors
- Adjustable legs 50-70mm - short
- Adjustable legs 120-130mm - standard

FEATURES - SIT ON BASINS

- Made of 75% natural marble stone
- Repairable if chipped
- Seamless surface, easy to maintain



SORRENTO SLAB 60



Sorrento Slab 60 White Gloss, with Natura basin (see page 184)

A modern design of a traditional concept with soft close hinges, adjustable feet and solid ceramic top which accommodates a variety of sit-on basins.

Sorrento Slab 60			
Description	Code	£ Ex VAT	£ Inc VAT
Sorrento/Faro 56cm base unit *	1.512	443.00	531.60
Sorrento 60 Slab top	51.036	162.00	194.40
Natura sit on basin 500x400	51.030	202.00	242.40
Prado 550 high rise mono basin	56.2002	131.00	157.20
Sorrento short legs - pack of 4	1.305	32.00	38.40

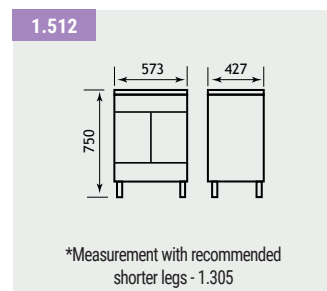
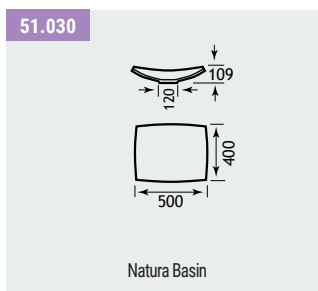
*1.305 shorter legs are advised when using slab top on floor mounted units to compensate for extra height of sit-on basin.

FEATURES

- Soft close system on doors and drawers
- Adjustable legs 50-70mm - short
- Adjustable legs 120-130mm - standard

FEATURES - SIT ON BASINS

- Made of 75% natural marble stone
- Repairable if chipped
- Seamless surface, easy to maintain



Sorrento Slab

SORRENTO SLAB 80



Sorrento Slab 80
White Gloss, with
Rondo basin (see
page 184).

A modern design of a traditional concept with soft close hinges, adjustable feet and a solid slab top which accommodates a variety of sit-on basins.

Sorrento Slab 80

Description	Code	£ Ex VAT	£ Inc VAT
Sorrento/Faro 76cm base unit *	1.514	500.00	600.00
Sorrento 80 Slab top	51.037	185.00	222.00
Rondo sit on basin 412	51.032	202.00	242.40
Renata sit on basin 430	51.029	182.00	218.40
Prado 550 high rise mono basin	56.2002	131.00	157.20
Sorrento short legs - pack of 4	1.305	32.00	38.40

*1.305 shorter legs are advised when using slab top on floor mounted units to compensate for extra height of sit-on basin.

For wall mirrors and cabinets see pages 326-351

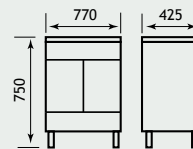
FEATURES

- Soft close system on doors and drawers
- Adjustable legs 50-70mm - short
- Adjustable legs 120-130mm - standard

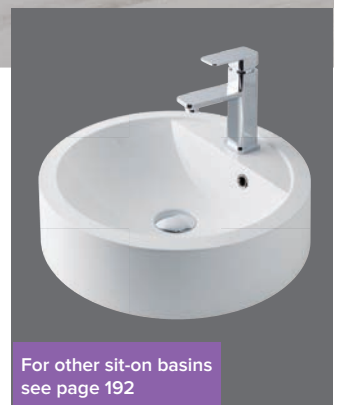
FEATURES - SIT ON BASINS

- Made of 75% natural marble stone
- Repairable if chipped
- Seamless surface, easy to maintain

1.514

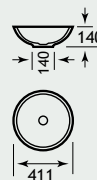


*Measurement with recommended shorter legs - 1.305



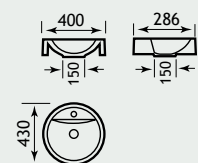
For other sit-on basins
see page 192

51.032



Rondo Basin

51.029

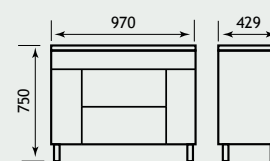


Renata Basin

Sorrento Slab

SORRENTO SLAB 100

1.516



*Measurement with recommended shorter legs - 1.305



Sorrento Slab 100
White Gloss, with
Rondo basin (see
page 192).

A modern design of a traditional concept with soft close hinges, adjustable feet and a solid slab top which accommodates a variety of sit-on basins.

Sorrento Slab 100

Description	Code	£ Ex VAT	£ Inc VAT
Sorrento/Faro 96cm base unit *	1.516	597.00	716.40
Sorrento 100 Slab top	51.038	215.00	258.00
Rondo sit on basin 412	51.032	202.00	242.40
Natura sit on basin 500x400	51.030	202.00	242.40
Prado 550 high rise mono basin	56.2002	131.00	157.20
Sorrento short legs - pack of 4	1.305	32.00	38.40

*1.305 shorter legs are advised when using slab top on floor mounted units to compensate for extra height of sit-on basin.

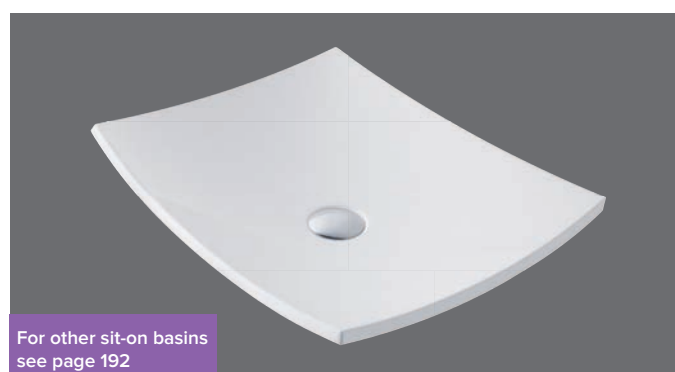
For wall mirrors and cabinets see pages 326-351

FEATURES

- Soft close system on doors only
- Adjustable legs 50-70mm - short
- Adjustable legs 120-130mm - standard

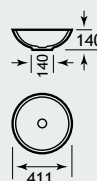
FEATURES - SIT ON BASINS

- Made of 75% natural marble stone
- Repairable if chipped
- Seamless surface, easy to maintain



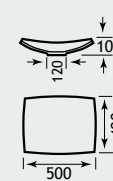
For other sit-on basins
see page 192

51.032



Rondo Basin

51.029



Natura Basin

Sorrento

SORRENTO 45 UNIT



Sorrento 45 base unit White Gloss. Also available as wall hung unit, see page 323.

SORRENTO 60 UNIT



Sorrento 60 base unit White Gloss. Also available as wall hung unit, see page 324.

A modern design of a traditional concept with soft close hinges, adjustable feet and solid ceramic top.

A modern design of a traditional concept with soft close hinges, adjustable feet and solid ceramic top.

Sorrento 45 Unit

Description	Code	£ Ex VAT	£ Inc VAT
Sorrento 41cm base unit	1.510	357.00	428.40
Sorrento 40cm mirror*	1.418	126.00	151.20
Sorrento 45cm LED cornice	1.520	197.00	236.40
Sorrento 45cm Ceramic top	26.0088	108.00	129.60
Prado 500 Basin Mono (inc Waste)	79.0060	91.00	109.20

*Mirror must be fitted with a cornice.

For wall mirrors and cabinets see pages 326-351

FEATURES

- Soft close system on doors
- Separate shaver socket
- Chrome spotlights
- Adjustable legs on floor standing Units 120-130mm

Sorrento 60 Unit

Description	Code	£ Ex VAT	£ Inc VAT
Sorrento/Faro 56cm base unit	1.512	443.00	531.60
Sorrento 40cm mirror*	1.418	126.00	151.20
Sorrento 60cm LED cornice	1.521	224.00	268.80
Sorrento 60cm Ceramic top	26.0089	138.00	165.60
Prado 500 Basin Mono (inc Waste)	79.0060	91.00	109.20

*Mirror must be fitted with a cornice.

For wall mirrors and cabinets see pages 326-351

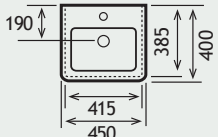
FEATURES

- Soft close system on doors and drawer
- Separate shaver socket
- Chrome spotlights
- Adjustable legs on floor standing Units 120-130mm

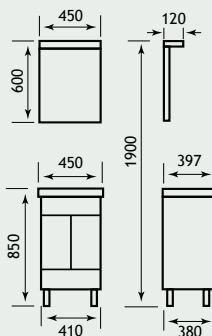


All Sorrento cornices include separate shaver sockets and chrome spots.

26.0088

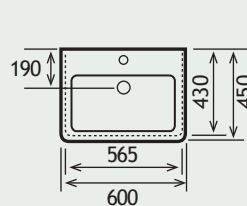


1.418/1.520

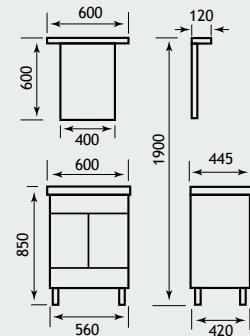


1.510

26.0089



1.418/1.521



1.512

Sorrento

SORRENTO 80 UNIT

A modern design of a traditional concept with soft close hinges, adjustable feet and solid ceramic top.

Sorrento 80 Unit			
Description	Code	£ Ex VAT	£ Inc VAT
Sorrento/Faro 76cm base unit	1.514	500.00	600.00
Sorrento 80cm Ceramic Top	26.0090	178.00	213.60
Sorrento 70cm mirror *	1.419	170.00	204.00
Sorrento 80cm LED cornice	1.522	264.00	316.80
Sorrento 800mm 'Wave' action infra red LED cornice	1.219	336.00	403.20

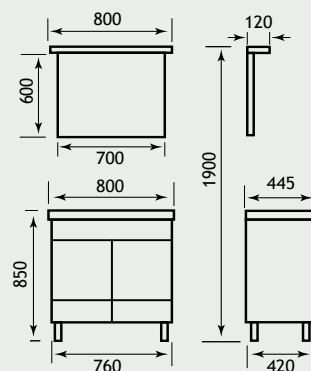
*Mirror must be fitted with a cornice.

FEATURES

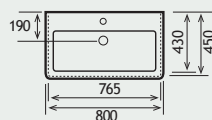
- Soft close system on doors and drawers
- Separate shaver socket
- Adjustable legs on floor standing Units 120-130mm



1.419



1.514



Sorrento 80 base unit
White Gloss. Also
available as wall hung
unit, see page 313.

26.0090

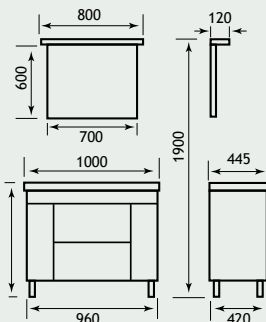
Sorrento

SORRENTO 100 UNIT



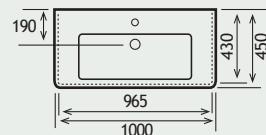
Sorrento 100 base unit White Gloss. Also available as wall hung unit, see page 314.

1.522



1.516

83.0020



The Sorrento range features adjustable legs. 120-130mm

A modern design of a traditional concept with soft close hinges, adjustable feet and solid ceramic tops.

*Mirror must be fitted with a cornice.

Sorrento 100 Unit

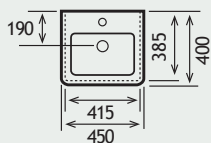
Description	Code	£ Ex VAT	£ Inc VAT
Sorrento/Faro 96cm base unit	1.516	597.00	716.40
Sorrento 100cm ceramic top	83.0020	192.00	230.40
Sorrento 70cm mirror *	1.419	170.00	204.00
Sorrento 80cm LED cornice	1.522	264.00	316.80
Sorrento 800mm 'Wave' action infra red LED cornice	1.219	336.00	403.20

FEATURES

- Soft close system on doors
- Separate shaver socket
- Chrome spotlights
- Adjustable legs on floor standing Units 120-130mm

Sorrento Ceramic Tops

SORRENTO 45



26.0088



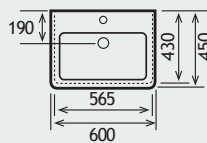
450 x 397mm

Sorrento basins offer a flexible design option for numerous modern applications.

Sorrento 45

Description	Code	£ Ex VAT	£ Inc VAT
Sorrento 45cm Ceramic top	26.0088	108.00	129.60
Ceramic Top Basin Waste	45.0000	26.00	31.20

SORRENTO 60



26.0089



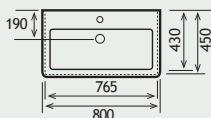
600 x 445mm

Sorrento basins offer a flexible design option for numerous modern applications.

Sorrento 60

Description	Code	£ Ex VAT	£ Inc VAT
Sorrento 60cm Ceramic top	26.0089	138.00	165.60
Ceramic Top Basin Waste	45.0000	26.00	31.20

SORRENTO 80



26.0090



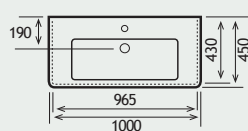
450 x 397mm

Sorrento basins offer a flexible design option for numerous modern applications.

Sorrento 80

Description	Code	£ Ex VAT	£ Inc VAT
Sorrento 80cm Ceramic Top	26.0090	178.00	213.60
Ceramic Top Basin Waste	45.0000	26.00	31.20

SORRENTO 100 SINGLE BOWL



83.0020



600 x 445mm

Sorrento basins offer a flexible design option for numerous modern applications.

Sorrento 100 Single Bowl

Description	Code	£ Ex VAT	£ Inc VAT
Sorrento 100cm ceramic top	83.0020	192.00	230.40
Ceramic Top Basin Waste	45.0000	26.00	31.20

Sorrento Wall Hung

SORRENTO SLAB 45 UNIT



A modern design of a traditional concept with soft close hinges and solid ceramic top which accommodates a variety of sit-on basins.

Sorrento Slab 45 Wall-Hung Unit

Description	Code	£ Ex VAT	£ Inc VAT
Sorrento 41cm wall hung unit	1.710	355.00	426.00
Sorrento 45 Slab top	51.035	131.00	157.20
Rondo sit on basin 412	51.032	202.00	242.40
Prado 550 high rise mono basin	56.2002	131.00	157.20

FEATURES

- Soft close system drawer

FEATURES - SIT ON BASINS

- Made of 75% natural marble stone
- Repairable if chipped
- Seamless surface, easy to maintain

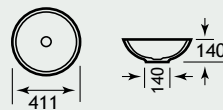
Renata sit-on basin 192

For other sit-on basins see page 192

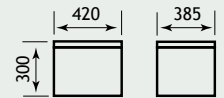
For wall mirrors and cabinets see pages 326-351



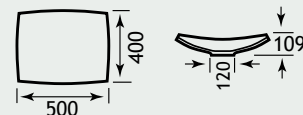
51.032 - Rondo



1.710



51.030 - Natura



Sorrento Wall Hung

SORRENTO SLAB 60 UNIT



A modern design of a traditional concept with soft close hinges and a solid slab top which accommodates a variety of sit-on basins.

Sorrento Slab 60 Wall-Hung Unit

Description	Code	£ Ex VAT	£ Inc VAT
Sorrento 56cm wall hung unit	1.712	439.00	526.80
Sorrento 60 Slab top	51.036	162.00	194.40
Rondo sit on basin 412	51.032	202.00	242.40
Natura sit on basin 500x400	51.030	202.00	242.40
Prado 550 high rise mono basin	56.2002	131.00	157.20

FEATURES

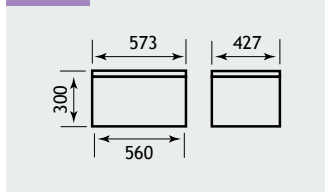
- Soft close system on drawer

FEATURES - SIT ON BASINS

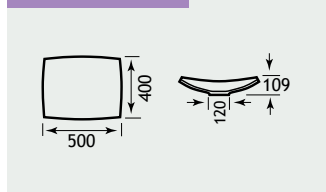
- Made of 75% natural marble stone
- Repairable if chipped
- Seamless surface, easy to maintain

For other sit-on basins see page 192

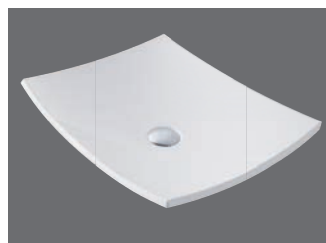
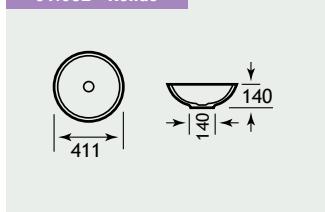
1.712



51.030 - Natura



51.032 - Rondo



SORRENTO SLAB 80 UNIT



A modern design of a traditional concept with soft close hinges and a solid slab top which accommodates a variety of sit-on basins.

Sorrento Slab 80 Wall-Hung Unit

Description	Code	£ Ex VAT	£ Inc VAT
Sorrento 76cm wall hung unit	1.714	494.00	592.80
Sorrento 80 Slab top	51.037	185.00	222.00
Rondo sit on basin 412	51.032	202.00	242.40
Prado 550 high rise mono basin	56.2002	131.00	157.20

FEATURES

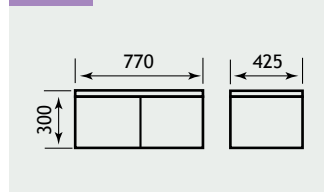
- Soft close system on drawers

FEATURES - SIT ON BASINS

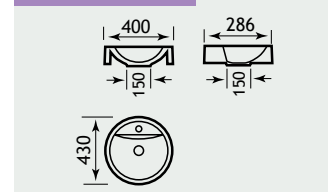
- Made of 75% natural marble stone
- Repairable if chipped
- Seamless surface, easy to maintain

For other sit-on basins see page 192

1.714



51.029 - Renata



Sorrento Wall Hung

SORRENTO SLAB 100 UNIT



Sorrento Slab 100 Wall-Hung Unit

Description	Code	£ Ex VAT	£ Inc VAT
Sorrento 96cm wall hung unit	1.716	589.00	706.80
Sorrento 100 Slab top	51.038	215.00	258.00
Rondo sit on basin 412	51.032	202.00	242.40
Prado 550 high rise mono basin	56.2002	131.00	157.20

FEATURES

- Adjustable legs on floor standing Units

FEATURES - SIT ON BASINS

- Made of 75% natural marble stone
- Repairable if chipped
- Seamless surface, easy to maintain

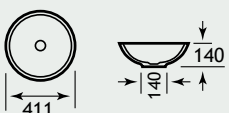
For wall mirrors and cabinets see pages 326-351

51.030 - Natura

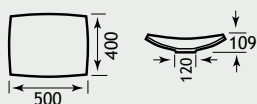


For other sit-on basins see page 192

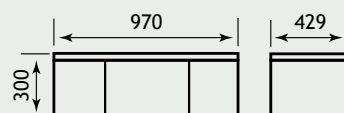
51.032 - Rondo



51.030 - Natura



1.716



Sorrento Wall Hung

SORRENTO 45 WALL HUNG UNIT

A modern design of a traditional concept with soft close hinges and solid ceramic top.

FEATURES

- Soft close system on drawer
- Separate shaver socket



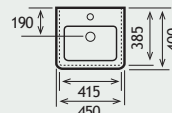
All Sorrento cornices include separate shaver sockets and chrome spots.

Sorrento 45 Wall-Hung Unit

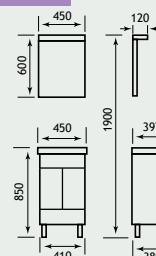
Description	Code	£ Ex VAT	£ Inc VAT
Sorrento 41cm wall hung unit	1.710	355.00	426.00
Sorrento 40cm mirror *	1.418	126.00	151.20
Sorrento 45cm LED cornice	1.520	197.00	236.40
Sorrento 45cm Ceramic top	26.0088	108.00	129.60

*Mirror must be fitted with a cornice.

26.0088



1.418/1.520



1.710

Sorrento Wall Hung

SORRENTO 60 WALL HUNG UNIT



A modern design of a traditional concept with soft close hinges and solid ceramic top.

FEATURES

- Soft close system on drawers

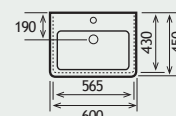
FEATURES - CORNICE

- Separate shaver socket

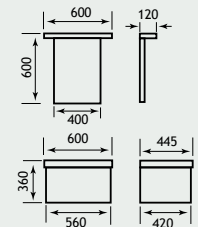


All Sorrento cornices include separate shaver sockets and chrome spots.

26.0089



1.418/1.521



1.712

Sorrento 60 Wall-Hung

Description	Code	£ Ex VAT	£ Inc VAT
Sorrento 56cm wall hung unit	1.712	439.00	526.80
Sorrento 40cm mirror *	1.418	126.00	151.20
Sorrento 60cm LED cornice	1.521	224.00	268.80
Sorrento 60cm Ceramic top	26.0089	138.00	165.60

*Mirror must be fitted with a cornice.

Sorrento Wall Hung

SORRENTO 80 WALL HUNG UNIT

A modern design of a traditional concept with soft close hinges and solid ceramic top.

FEATURES

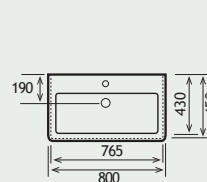
- Soft close system on drawers

FEATURES - CORNICE

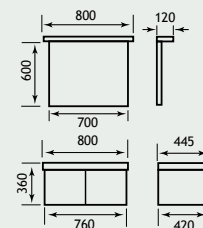
- Separate shaver socket



26.0090



1.419/1.522



1.714

Sorrento 80 Wall-Hung

Description	Code	£ Ex VAT	£ Inc VAT
Sorrento 76cm wall hung unit	1.714	494.00	592.80
Sorrento 70cm mirror *	1.419	170.00	204.00
Sorrento 80cm LED cornice	1.522	264.00	316.80
Sorrento 800mm 'Wave' action infra red LED cornice	1.219	336.00	403.20
Sorrento 80cm Ceramic Top	26.0090	178.00	213.60

*Mirror must be fitted with a cornice.

Sorrento Wall Hung

SORRENTO 100 WALL HUNG UNIT



Simply stunning. This superb 100 wall-hung unit can only be used with the single bowl ceramic top option.

Sorrento 100 Wall-Hung Unit

Description	Code	£ Ex VAT	£ Inc VAT
Sorrento 96cm wall hung unit	1.716	589.00	706.80
Sorrento 100cm ceramic top	83.0020	192.00	230.40
Sorrento 70cm mirror*	1.419	170.00	204.00
Sorrento 80cm LED cornice	1.522	264.00	316.80
Sorrento 800mm 'Wave' action infra red LED cornice	1.219	336.00	403.20

*Mirror must be fitted with a cornice.

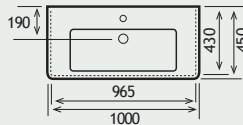
FEATURES

- Soft close system on drawers

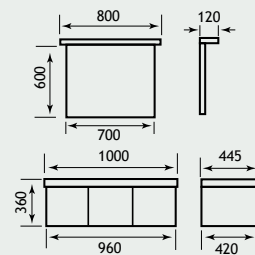
FEATURES - CORNICE

- Separate shaver socket

83.0020



1.419/1.522/1.219



1.716

SHERWOOD CLASSIC VANITY UNITS

34.0118



Sherwood Classic vanity unit in White Gloss with Sorrento 600 ceramic top. Tap and basin extra.

34.0117



Sherwood Classic vanity unit in beech with inset basin. Tap extra, basin for illustration purposes only.

Sherwood Classic Vanity Units (All Flat Packed)

Description	Code	£ Ex VAT	£ Inc VAT
New classic 600 vanity unit - White Ash	34.0115	390.00	468.00
New classic 600 vanity unit - Beech	34.0117	390.00	468.00
New classic 600 vanity unit - White Gloss	34.0118	424.00	508.80

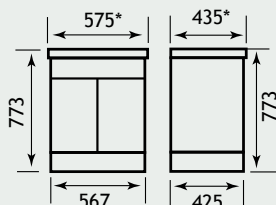
Price includes laminate top for inset basin use. Ceramic top is available at extra cost - see below

FEATURES

- British manufactured
- FSC - All materials sourced from protected forests
- MDF

Tops & Basins To Fit

Description	Code	£ Ex VAT	£ Inc VAT
Sorrento 60cm Ceramic top	26.0089	138.00	165.60
Osanna inset basin 500x370	51.028	146.00	175.20
Natura sit on basin 500x400	51.030	202.00	242.40
Pricilla sit on basin 510x300	51.031	202.00	242.40
Rondo sit on basin 412	51.032	202.00	242.40
Pat inset basin basin 500x369	51.034	146.00	175.20



*Note: If ceramic top is used the top measurement is 600mm wide x 460mm deep x 830mm high

SHERWOOD ULTRA VANITY UNITS

Sherwood Ultra vanity unit in White Gloss with inset basin. Tap and basin extra.



Sherwood Ultra Vanity Units (All Flat Packed)

Description	Code	£ Ex VAT	£ Inc VAT
Ultra 600 vanity unit - Marine Oak†	34.01009†	390.00	468.00
Ultra 600 vanity unit - Drift Wood†	34.01008†	390.00	468.00

†While stocks last

Price includes laminate top for inset basin use. Ceramic top is available at extra cost - see below.

FEATURES

- British manufactured
- FSC - All materials sourced from protected forests
- MDF

Tops & Basins To Fit

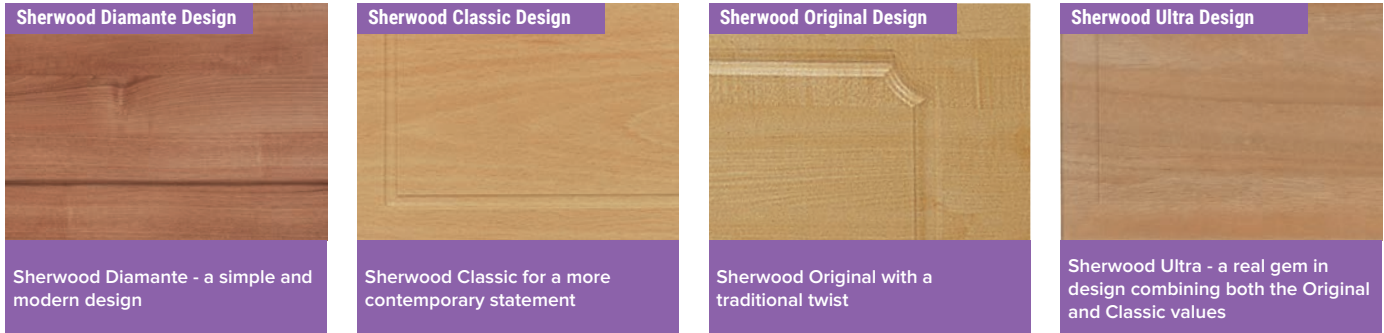
Description	Code	£ Ex VAT	£ Inc VAT
Sorrento 60cm Ceramic top	26.0089	138.00	165.60
Osanna inset basin 500x370	51.028	146.00	175.20
Natura sit on basin 500x400	51.030	202.00	242.40
Pricilla sit on basin 510x300	51.031	202.00	242.40
Rondo sit on basin 412	51.032	202.00	242.40
Pat inset basin basin 500x369	51.034	146.00	175.20

Bath Panels

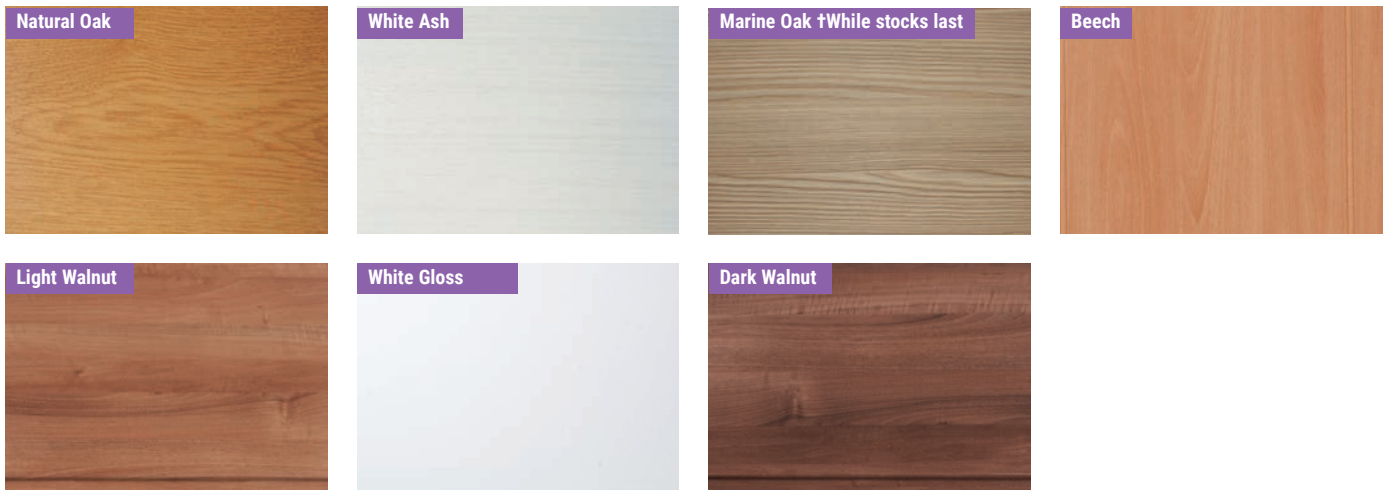
SHERWOOD BATH PANELS

A comprehensive quality range of wood effect bath panels, seats and vanity units. The latest vinyl wrapped technology is used to produce an extremely tough panel with colour matching guaranteed throughout the co-ordinated products. Universal 18mm seats are available to complement, complete with a high quality bar hinge, or the new soft close hinges.

Sherwood is produced in four designs:



All items are vinyl-wrapped MDF. Refer to style pages for finish availability. Colours subject to the limitations of the printing process. Colour sample available on request.



SHERWOOD ORIGINAL BATH PANELS



End panel

FEATURES

- British manufactured
- FSC - All materials sourced from protected forests
- MDF
- Fully adjustable plinth

Sherwood Original Front Bath Panels				
Description	Colour	White Ash	£ Ex VAT	£ Inc VAT
Sherwood original 1500 front bath panel	White Ash	34.0035	121.00	145.20
Sherwood original 1600 front bath panel	White Ash	34.0095	121.00	145.20
Sherwood original 1700 front bath panel	Natural Oak	34.0043	121.00	145.20
Sherwood original 1700 front bath panel	White Ash	34.0045	121.00	145.20
Sherwood original 1800 front bath panel	Natural Oak	34.0053	131.00	157.20
Sherwood original 1800 front bath panel	White Ash	34.0055	131.00	157.20

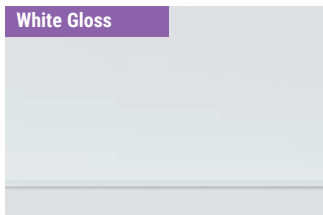
Sherwood Original End Bath Panels				
Description	Colour	White Ash	£ Ex VAT	£ Inc VAT
Sherwood original 800 end bath panel	Natural Oak	34.0083	88.00	105.60
Sherwood original 800 end bath panel	White Ash	34.0085	88.00	105.60

NB. All panels include extra deep plinth, allowing panel to be adjustable from 450mm to 575mm. The 800 mm universal end panel can be cut down to 700mm or 750mm size without loss of pattern.

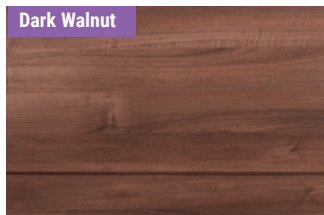
Bath Panels

SHERWOOD DIAMANTE BATH PANELS

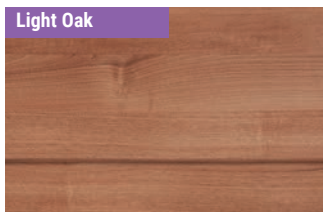
White Gloss



Dark Walnut



Light Oak



High Gloss Black



NB. 700/750 panels can be obtained by cutting down the 800 panels. All 2-piece adjustable from 450 to 575mm. Thickness 15mm. Plinth 150mm.

Colours subject to the limitations of the printing process.
Colour sample available on request.



Sherwood Diamante Front Bath Panels

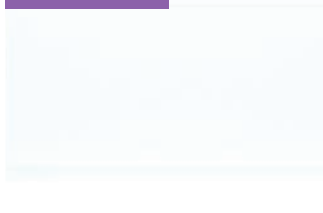
Description	Colour	Code	£ Ex VAT	£ Inc VAT
Diamante 1700 front panel	High Gloss Black	34.07001	168.00	201.60
Diamante 1700 front panel	White Gloss	34.0701	168.00	201.60
Diamante 1700 front panel	Light Walnut	34.01604	121.00	145.20
Diamante 1700 front panel	Dark Walnut	34.01605	121.00	145.20
Diamante 1800 front panel	High Gloss Black	34.07101	184.00	220.80
Diamante 1800 front panel	White Gloss	34.0711	184.00	220.80
Diamante 1800 front panel	Light Walnut	34.01704	134.00	160.80
Diamante 1800 front panel	Dark Walnut	34.01705	134.00	160.80

Sherwood Diamante End Bath Panels

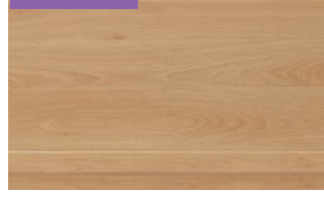
Description	Colour	Code	£ Ex VAT	£ Inc VAT
Diamante 800 end panel	High Gloss Black	34.07301	131.00	157.20
Diamante 800 end panel	White Gloss	34.0731	131.00	157.20
Diamante 800 end panel	Light Walnut	34.01904	87.00	104.40
Diamante 800 end panel	Dark Walnut	34.01905	87.00	104.40

SHERWOOD CLASSIC BATH PANELS

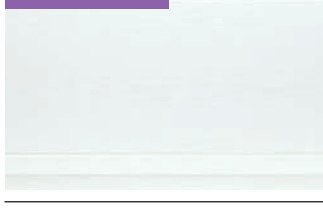
White Gloss



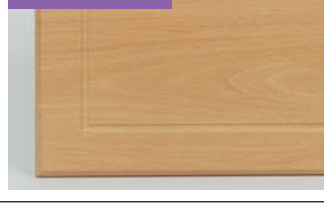
Beech



White Ash

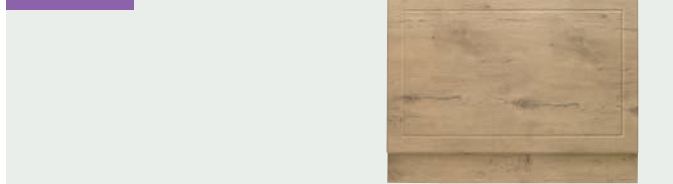


Panel Detail



NB. All panels include extra deep plinth adjustable in height from 450mm to 575mm. The 800 universal end panel can be cut down to 700mm or 750mm size.

End Panel



Sherwood Classic Front Bath Panels

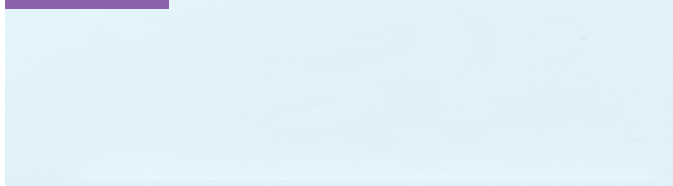
Description	Colour	Code	£ Ex VAT	£ Inc VAT
Sherwood classic 1700 front panel	White Ash	34.1045	121.00	145.20
Sherwood classic 1700 front panel	Beech	34.1047	121.00	145.20
Sherwood classic 1700 front panel	White Gloss	34.1048	158.00	189.60
Sherwood classic 1800 front panel	White Ash	34.1055	131.00	157.20
Sherwood classic 1800 front panel	Beech	34.1057	131.00	157.20
Sherwood classic 1800 front panel	White Gloss	34.1058	174.00	208.80

Sherwood Classic End Bath Panels

Description	Colour	Code	£ Ex VAT	£ Inc VAT
Sherwood classic 800 end panel	White Ash	34.1085	87.00	104.40
Sherwood classic 800 end panel	Beech	34.1087	87.00	104.40
Sherwood classic 800 end panel	White Gloss	34.1088	121.00	145.20

SHERWOOD ULTRA BATH PANELS

White Gloss



White Ash



Sherwood Ultra Front Bath Panels

Description	Colour	Code	£ Ex VAT	£ Inc VAT
Ultra 1700 Panel	White Ash	34.0065	121.00	145.20
Ultra 1700 Panel	White Gloss	34.0068	158.00	189.60
Ultra 1800 Panel	White Ash	34.0135	131.00	157.20
Ultra 1800 Panel	White Gloss	34.0138	174.00	208.80

Sherwood Ultra End Bath Panels

Description	Colour	Code	£ Ex VAT	£ Inc VAT
Ultra 800 Panel	White Ash	34.0075	87.00	104.40
Ultra 800 Panel	White Gloss	34.0078	121.00	145.20

Extra deep plinth allows panel to be adjustable in height from 5mm.
Thickness 15mm. Plinth height 150mm.

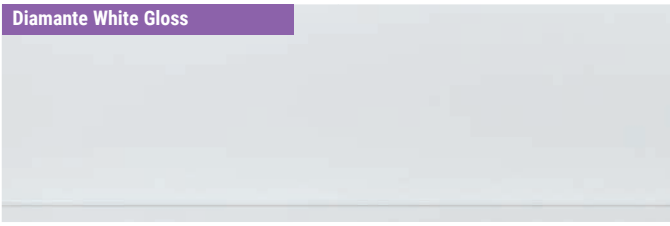
FEATURES

- British manufactured
- FSC - All materials sourced from protected forests
- MDF
- Fully adjustable plinth

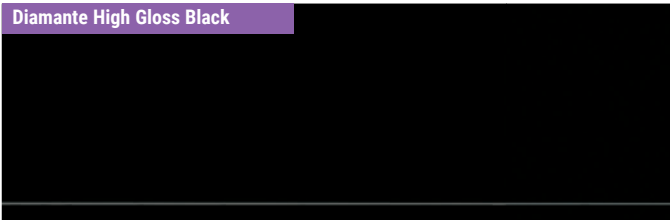
Bath Panels

DIAMANTE BATH PANELS

Diamante White Gloss



Diamante High Gloss Black



High gloss MDF panels to match Madrid, Bonito and Diamante

Diamante Bath Panels

Description	Colour	Code	£ Ex VAT	£ Inc VAT
Diamante 1700 front panel	White	34.0701	168.00	201.60
Diamante 1700 front panel	High Gloss Black	34.07001	168.00	201.60
Diamante 1800 front panel	White	34.0711	184.00	220.80
Diamante 1800 front panel	High Gloss Black	34.07101	184.00	220.80
Diamante 800 end panel	White	34.0731	131.00	157.20
Diamante 800 end panel	High Gloss Black	34.07301	131.00	157.20

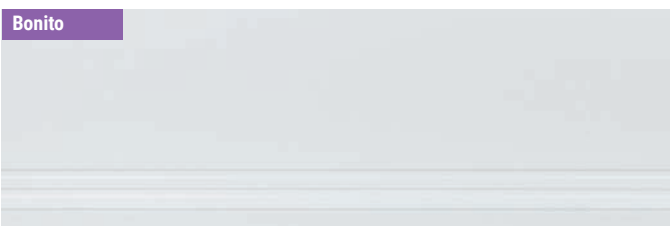
NB. 700/750 panels can be obtained by cutting down the 800 panels. All 2-piece adjustable from 450 to 575 mm. Thickness 15mm. Plinth 150mm.

FEATURES

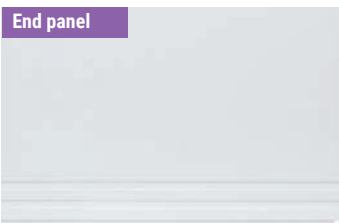
- British manufactured
- FSC - All materials sourced from protected forests
- MDF
- Fully adjustable plinth

BONITO PANELS

Bonito



End panel



High gloss MDF panels to match Madrid, Bonito and Diamante

Bonito Panels

Description	Colour	Code	£ Ex VAT	£ Inc VAT
Bonito/Daisy 1700 front panel	White	34.0161	158.00	189.60
Bonito/Daisy 1800 front panels	White	34.0171	174.00	208.80
Bonito/Daisy 800 end panels	White	34.0191	121.00	145.20

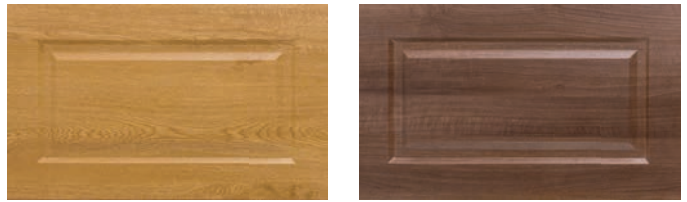
NB. 700/750 panels can be obtained by cutting down the 800 panels. All 2-piece adjustable from 450 to 575 mm. Thickness 15mm. Plinth 150mm.

ACER PANELS

Dark Walnut



Natural Oak



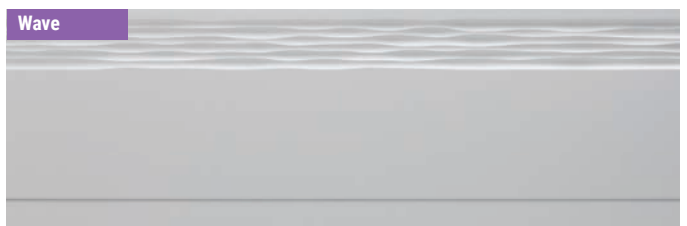
Acer Panels

Description	Colour	Natural oak	£ Ex VAT	£ Inc VAT
Acer 1700 front panel	Dark Walnut	29.00605	169.00	202.80
Acer 1700 front panel	Natural Oak	29.0063	169.00	202.80
Acer 1800 front panel	Dark Walnut	29.00705	176.00	211.20
Acer 1800 front panel	Natural Oak	29.0073	176.00	211.20
Acer 700 end panel	Dark Walnut	29.00805	95.00	114.00
Acer 700 end panel	Natural Oak	29.0083	95.00	114.00
Acer 750 end panel	Dark Walnut	29.00905	99.00	118.80
Acer 750 end panel	Natural Oak	29.0093	99.00	118.80
Acer 800 end panel	Dark Walnut	29.01005	102.00	122.40
Acer 800 end panel	Natural Oak	29.0103	102.00	122.40

NB. 700/750 panels can be obtained by cutting down the 800 panels. All 2-piece adjustable from 450 to 575 mm. Thickness 15mm. Plinth 150mm.

WAVE PANELS

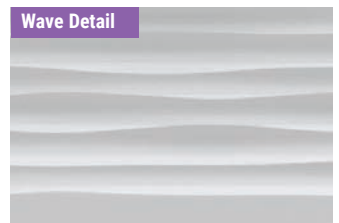
Wave



End panel



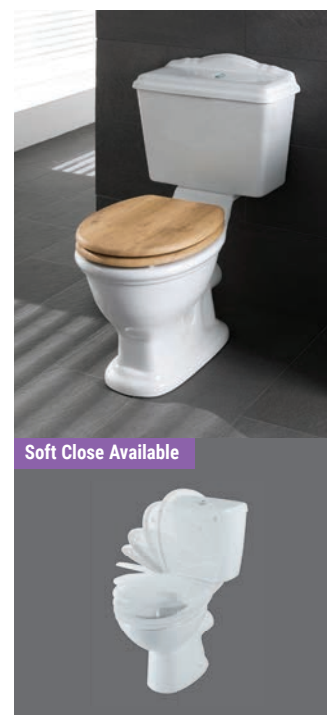
Wave Detail



Wave Bath Panels - White Gloss

Description	Colour	Code	£ Ex VAT	£ Inc VAT
Wave 1700 front panel	White Gloss	29.0018	156.00	187.20
Wave 1800 front panel	White Gloss	29.0028	167.00	200.40
Wave 700 end panel	White Gloss	29.0038	90.00	108.00
Wave 750 end panel	White Gloss	29.0048	92.00	110.40
Wave 800 end panel	White Gloss	29.0058	95.00	114.00

Toilet Seats



SHERWOOD TOILET SEATS

Suitable to match all Sherwood styles of panel with an option of a soft-close hinge.

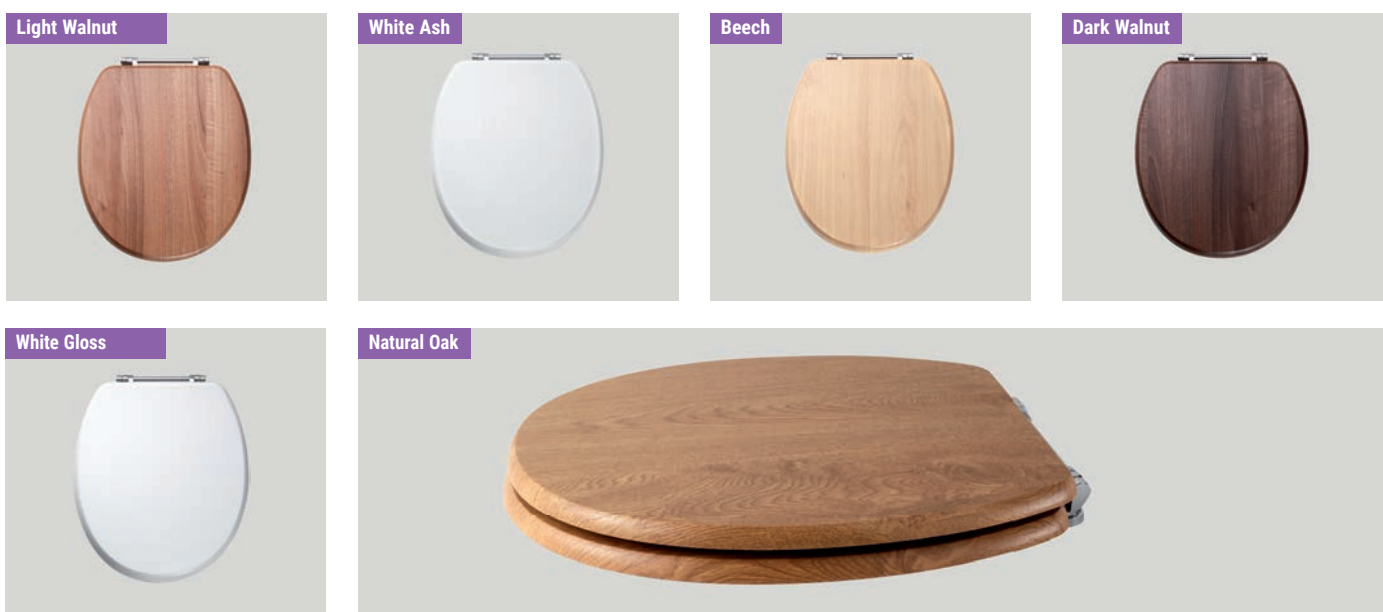
Sherwood Toilet Seats				
Description	Colour	Code	£ Ex VAT	£ Inc VAT
Sherwood MDF seat in vinyl wrap with chrome-plated bar hinges	White Ash	34.1095	96.00	115.20
Sherwood MDF seat in vinyl wrap with chrome-plated bar hinges	Light Walnut	34.10904	96.00	115.20
Sherwood MDF seat in vinyl wrap with chrome-plated bar hinges	Beech	34.1097	96.00	115.20
Sherwood MDF seat in vinyl wrap with chrome-plated bar hinges	Dark Walnut	34.10905	96.00	115.20
Sherwood MDF seat in vinyl wrap with chrome-plated bar hinges	Natural Oak	34.1093	96.00	115.20
Sherwood MDF seat in vinyl wrap with chrome-plated bar hinges	White Gloss	34.1098	115.00	138.00
Sherwood MDF seat in vinyl wrap with chrome plated soft-close hinges *	White Ash	34.0125	157.00	188.40
Sherwood MDF seat in vinyl wrap with chrome plated soft-close hinges *	Light Walnut	34.01204	157.00	188.40
Sherwood MDF seat in vinyl wrap with chrome plated soft-close hinges *	Beech	34.0127	157.00	188.40
Sherwood MDF seat in vinyl wrap with chrome plated soft-close hinges *	Dark Walnut	34.01205	157.00	188.40
Sherwood MDF seat in vinyl wrap with chrome plated soft-close hinges *	Natural Oak	34.0123	157.00	188.40
Sherwood MDF seat in vinyl wrap with chrome plated soft-close hinges *	White Gloss	34.0128	169.00	202.80

*Not bar hinges & top fix hinge.

FEATURES

- British manufactured
- FSC - All materials sourced from protected forests
- MDF
- Soft close seat option available
- Hinge centres adjust 155-165mm

Sherwood toilet seat
440mm (from back of hinge) x 375mm at widest point, 420mm x 375mm lid size.



DIAMANTE TOILET SEATS

Diamante High Gloss Toilet Seat				
Description	Colour	Code	£ Ex VAT	£ Inc VAT
Sherwood seat with Chrome hinges	White Gloss	34.1098	115.00	138.00
Sherwood seat soft close hinge*	White Gloss	34.0128	169.00	202.80
Sherwood seat with Chrome hinges	High Gloss Black	34.10901	115.00	138.00
Sherwood seat soft close hinge*	High Gloss Black	34.01201	169.00	202.80

NB. Soft close hinges are standard not bar type.*Top fix hinge.

FEATURES

- Soft close seat option available



Colours subject to the limitations of the printing process.
Colour sample available on request.

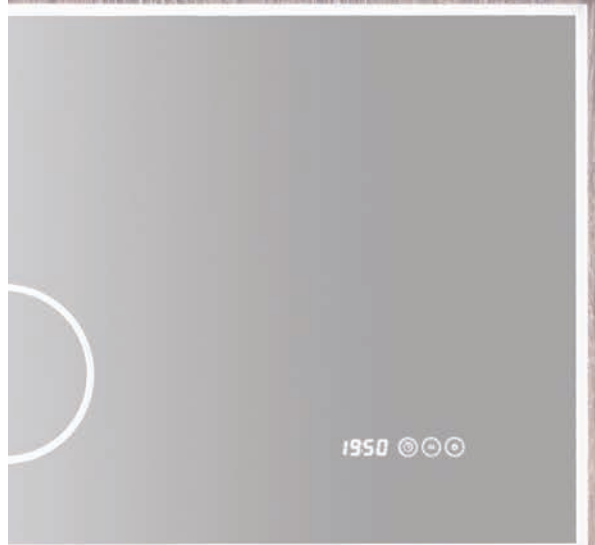


Mirrors & Cabinets

Cabinet mirrors, mirrors with lights, plain mirrors, featuring lots of exciting designs from art deco minimalist to the more traditional approach.

Contents

Plain mirrors	326
Vanity mirrors	327
Mirrored cabinets	328-338
Mirrored corner cabinets	338
Mirrors with cornice	339 - 341
Mirrors with LED	342 - 350
Mirrors with florescent light	351



Plain Mirrors

BRUNSWICK



Brunswick			
Description (height x width)	Code	£ Ex VAT	£ Inc VAT
Brunswick bathroom mirror 700 x 500 with shelf	40.0019	80.00	96.00

FEATURES

- Complete with glass shelf
- Clean and simple design, that works in a modern or traditional setting.
- Bevelled edge

SAVANNAH



Savannah			
Description (height x width)	Code	£ Ex VAT	£ Inc VAT
Savannah Mirror 750 x 550 with Shelf	40.0018	80.00	96.00

FEATURES

- Complete with glass shelf
- Bevelled edge
- Tempered glass

SEATTLE



Seattle			
Description (height x width)	Code	£ Ex VAT	£ Inc VAT
Seattle 500 x 700mm two-layer mirror	56.1018	139.00	166.80

FEATURES

- Tempered glass

PLAIN MIRROR



Pictured 40.0021

Plain Mirror			
Description (height x width)	Code	£ Ex VAT	£ Inc VAT
Plain Mirror 555 x 1000mm	40.0020	96.00	115.20
Plain Mirror 555 x 810mm	40.0021	92.00	110.40

FEATURES

- Mounted horizontally or vertically
- Bevelled edge



Bevelled edge

Pictured 40.0020

Vanity Mirrors

Round LED Vanity Mirror

Description	Code	£ Ex VAT	£ Inc VAT
Round LED vanity mirror	40.0039	330.00	396.00

FEATURES

- 5x magnification (side one)
- Plain mirror (side two)
- LED lights
- Double swing arm
- IP 44



ROUND LED VANITY MIRROR

Magnifier 

LED Lights 



Square LED Vanity Mirror

Description	Code	£ Ex VAT	£ Inc VAT
Square LED vanity mirror	40.0040	237.00	284.40

FEATURES

- 5x magnification (side one)
- Plain mirror (side two)
- LED lights
- Double swing arm
- IP 44



SQUARE LED VANITY MIRROR

Magnifier 

LED Lights 

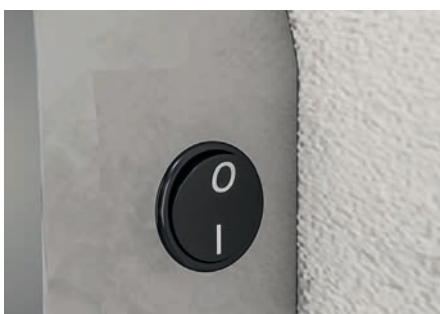


Round Frosted LED Vanity Mirror


Description	Code	£ Ex VAT	£ Inc VAT
Round Frosted LED vanity mirror	40.0041	227.00	272.40

FEATURES

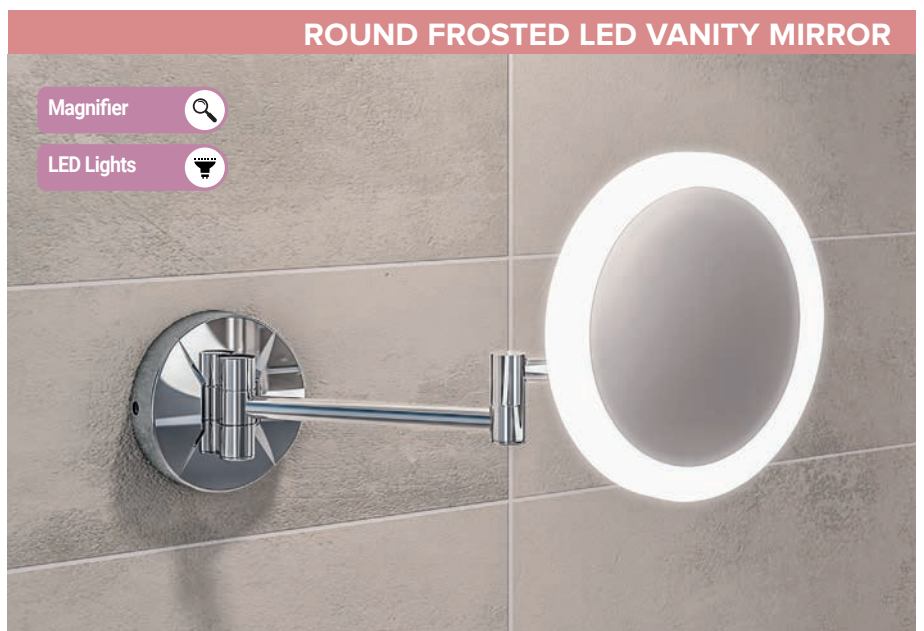
- 5x magnification
- LED lights
- Double swing arm
- IP 44



ROUND FROSTED LED VANITY MIRROR

Magnifier 

LED Lights 



Cabinet Mirrors

CABINET MIRROR



Cabinet Mirror			
Description (width x depth x height)	Code	£ Ex VAT	£ Inc VAT
Cabinet mirror 460 x 120 x 660	56.1001	173.00	207.60
Cabinet mirror 250 x 120 x 660	56.1002	129.00	154.80

FEATURES

- Cupboards are reversible
- Soft close doors
- Modular versatile system

*800mm wide when fully opened - 56.1001
 *430mm wide when fully opened - 56.1002



800mm when fully opened, only opens as illustrated

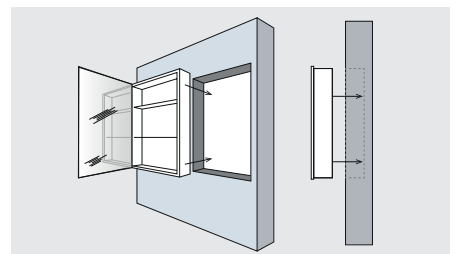
BOSINI



Bosini			
Description (width x height x depth)	Code	£ Ex VAT	£ Inc VAT
Bosini 600 x 700 x 120 2 Door Mirror Cabinet	40.0024	354.00	424.80
Bosini 600 x 800 x 120 2 Door Mirror Cabinet	40.0025	406.00	487.20

FEATURES

- Internal mirror on door
- Can be recessed into the wall.
- Soft close hinges
- Adjustable shelving



Cabinet Mirrors

Caldini - 1 Door Cabinet

Description (width x height x depth)	Code	£ Ex VAT	£ Inc VAT
Caldini 350 x 450 x 130 LED 1 Door Mirror Cabinet	40.0026	432.00	518.40
Caldini 400 x 600 x 130 LED 1 Door Mirror Cabinet	40.0027	514.00	616.80
Caldini 500 x 700 x 130 LED 1 Door Mirror Cabinet	40.0028	578.00	693.60

FEATURES

- Internal mirror on the door
- Aluminium frame
- Infinitely variable shelf heights
- Demister
- Shaver socket
- LED lights on the two outer sides, inside and underside of the cabinet
- Soft close hinges

Cabinet is IP54.



Demister



LED Lights



Shaver Socket



CALDINI 1 DOOR CABINET



CALDINI 2 DOOR CABINET

Caldini - 2 Door Cabinet

Description (width x height x depth)	Code	£ Ex VAT	£ Inc VAT
Caldini 600 x 700 x 130 LED 2 Door Cabinet Mirror	40.0029	722.00	866.40
Caldini 800 x 700 x 130 LED 2 Door Mirror Cabinet	40.0030	768.00	921.60

FEATURES

- Internal mirror on door
- Aluminium frame
- Infinitely variable shelf heights
- Demister
- Shaver socket
- LED lights on the inside, outside and underside of the cabinet
- Soft close hinges

Cabinet is IP54.



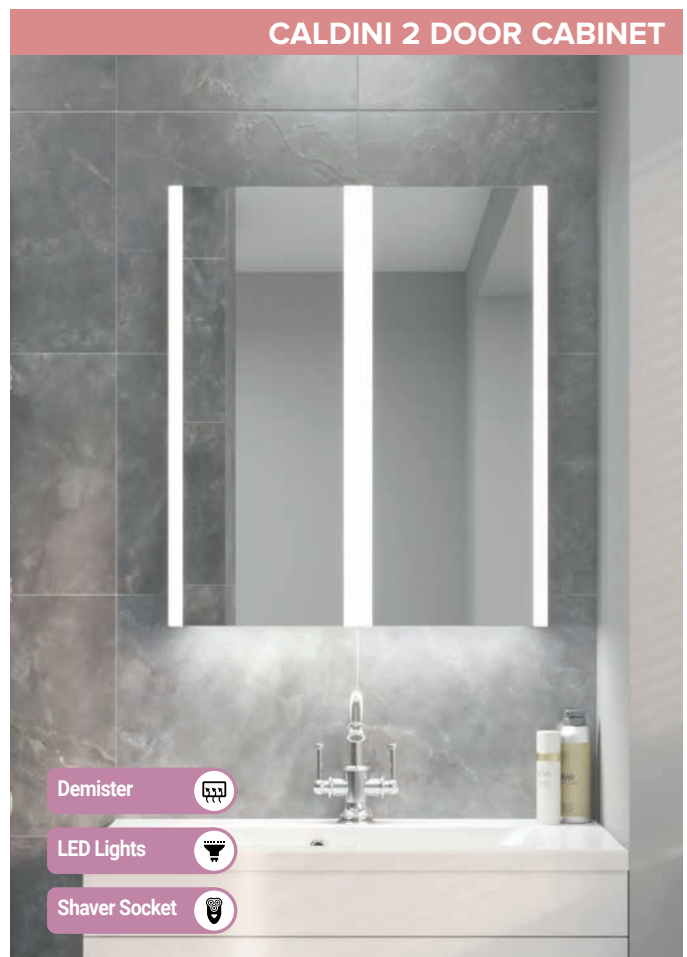
Demister



LED Lights



Shaver Socket



Cabinet Mirrors

CASSIO CABINET

Cassio Cabinet

Description (width x height x depth)	Code	£ Ex VAT	£ Inc VAT
Cassio 500 x 700 LED Mirror - 1 Door	40.1022	560.00	672.00
Cassio 600 x 700 LED Mirror - 2 Door	40.1023	681.00	817.20
Cassio 800 x 700 LED Mirror - 2 Door	40.1024	745.00	894.00
Cassio 1200 x 700 LED Mirror - 3 Door	40.1025	1014.00	1216.80

FEATURES

- Internal mirror on door
- Aluminium cabinet
- Infinitely variable shelf heights
- Demister (on both doors on all 2-door models. Demister on middle door on 3-door model)
- USB & Shaver socket
- LED lights on the inside, outside and underneath
- Infrared sensor
- Soft close hinges




Cabinet is IP44.



40.1025 doors open



40.1025

- Demister 
- LED Lights 
- Shaver Socket 



40.1022



40.1022 doors open

Cabinet Mirrors

LUCERNE



Lucerne

Description (width x height x depth)	Code	£ Ex VAT	£ Inc VAT
Lucerne 700x500x170 Mirrored cabinet	56.1048	594.00	712.80

FEATURES

- Sensor on/off
- Two LED lights

Cabinet is IP54.

Touch Sensor 

LED Lights 



Shaver Socket 

ZURICH



Zurich

Description (width x height x depth)	Code	£ Ex VAT	£ Inc VAT
Zurich 500x700x140 Mirrored cabinet	56.1047	594.00	712.80

FEATURES

- Two light sensors
- Internal shaver socket
- Soft close door
- Digital clock

Cabinet is IP54.

Cabinet Mirrors

RAVINI

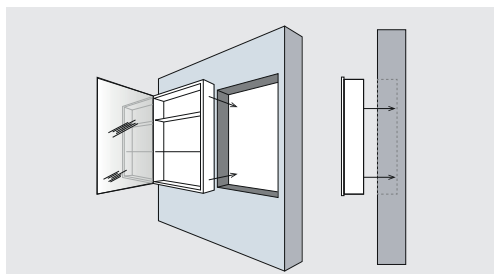


Ravini

Description (width x height x depth)	Code	£ Ex VAT	£ Inc VAT
Ravini 400 x 600 x 120 1 Door Mirror Cabinet White	40.0022	262.00	314.40
Ravini 500 x 700 x 120 1 Door Mirror Cabinet White	40.0023	279.00	334.80

FEATURES

- Internal mirror on door
- Can be recessed into the wall
- Soft close hinges
- Adjustable shelving



The Ravini can be installed outside of the wall or recessed into the wall

Cabinet Mirrors

PLAIN CABINETS

Modest, versatile cabinets available with LED lighting and mirrors in various sizes to suit most bathrooms. Pull cord for LED lighting located inside the cabinet.

Plain Cabinets (Single Knob)

Description (width x height x depth)	Code	£ Ex VAT	£ Inc VAT
400 x 400 x 180mm Cabinet White†	56.1038	116.00	139.20
400 x 800 x 180mm Cabinet White†	56.1040	178.00	213.60

Plain Cabinets (Single Knob with LED)

Description (width x height x depth)	Code	£ Ex VAT	£ Inc VAT
400 x 400 x 180mm Cabinet with LED White†	56.1039	143.00	171.60
400 x 800 x 180mm Cabinet with LED White†	56.1041	204.00	244.80

FEATURES

- Modular versatile system
- Available with a light option
- Soft close doors

Mirror with LED IP54. †While stocks last



56.1039



LED Lights



600mm mirror cabinet with a choice of two cornices - a light cornice or a shaver socket cornice. Both come with a single halogen lamp. Cornices are sold separately.

Cabinet - 1.094

Description	Code	£ Ex VAT	£ Inc VAT
60cm cabinet mirror (no cornice) White	1.094	228.00	273.60
60cm light cabinet cornice, 1 spot White	1.096	136.00	163.20
60cm light shaver skt cabinet cornice**	1.097	226.00	271.20

430mm mirror cabinet with a light cornice (one halogen lamp with pull cord operation). The cornice is sold separately from the cabinet. Door is not reversible.

Cabinet - 1.090

Description	Code	£ Ex VAT	£ Inc VAT
43cm cabinet mirror (no cornice) White	1.090	203.00	243.60
43cm light cabinet cornice, 1 spot White	1.093	116.00	139.20

All cornices are IP54. **During the life of this catalogue lights may change to LED.



1.093

CABINET WITH CORNICES



1.094

1.096/1.097

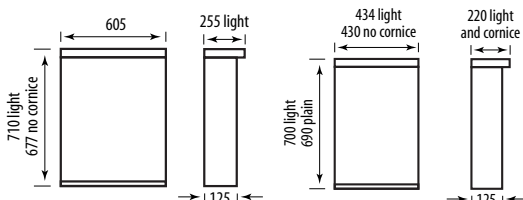


1.093

1.090

Cabinet 80cm

Cabinet 43cm



* Basin for photography purposes only

Cabinet Mirrors

CABINET WITH CORNICES



800mm mirror cabinet with a choice of two cornices – a light cornice or a shaver socket cornice. Both come with two lamps.

Cabinet - 1.401

Description	Code	£ Ex VAT	£ Inc VAT
80cm cabinet mirror (no cornice) White	1.401	253.00	303.60
80cm light cabinet cornice, 2 spots White	1.403	181.00	217.20
80cm light shaver skt cabinet cornice White	1.404	264.00	316.80

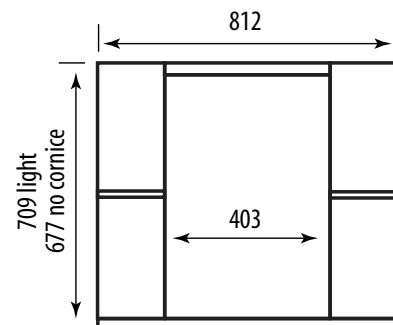
Cabinet - 1.405

Description	Code	£ Ex VAT	£ Inc VAT
100cm cabinet mirror (no cornice) White	1.405	313.00	375.60
100cm light cabinet cornice, 2 spots White	1.407	202.00	242.40
100cm light shaver skt cabinet cornice White	1.408	279.00	334.80

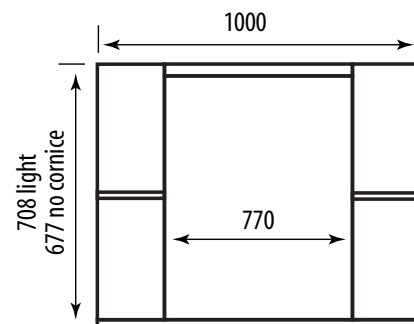
All cornices are sold separately from the mirror cabinets. All cornices are IP54



Cabinet 80cm





Cabinet 100cm



1000mm mirror cabinet with a choice of two cornices - a light cornice or a socket cornice. Both come with two halogen lamps.* Cornices are sold separately. ** During the lifetime of this brochure lights may change to LED.

Cabinet Mirrors



- LED Lights 
- Shaver Socket 

BONITO 120

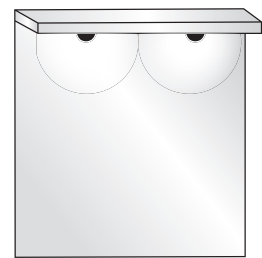
Bonito 120			
Description	Code	£ Ex VAT	£ Inc VAT
Bonito 60cm wall unit - door White	1.034	258.00	309.60
Bonito 60cm mirror White	1.036	150.00	180.00
Diamante 60cm Cornice White	1.204	226.00	271.20

NB: Mirror must be fitted with cornice. Cornice is IP54. *During the life of this catalogue lights may change to LED.

FEATURES

- Shaver socket
- 60 cm cornice has two LED lamps*
- Slimline, just 120mm projection

Width: 600mm. Height: 706mm.
N.B. Cornice sold separately



Mirror & Cornice with halogen and pull-cord operational

The 60cm cornice has two halogen lamps and a shaver socket.**

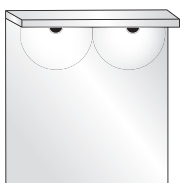
Diamante 110			
Description (width x height x depth)	Code	£ Ex VAT	£ Inc VAT
Diamante 50cm wall unit White	1.254	258.00	309.60
Bonito 60cm mirror White	1.036	150.00	180.00
Diamante 60cm Cornice White	1.204	226.00	271.20

FEATURES

- Slimline, just 120mm projection
- Shaver socket
- Wall unit - 2 shelves

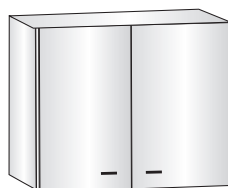
NB: Mirror must be fitted with cornice. Cornice is IP54. **During the life of this catalogue lights may change to LED.

Mirror & Cornice 60cm




MIRROR & CORNICE WITH LED LIGHTS AND PULL-CORD OPERATION
Width: 600mm
Height: 706mm
N.B. Cornice sold separately

Wall Cupboards 50cm



500MM WALL CUPBOARD WITH TWO DOORS
Width: 500mm
Depth: 176mm
Height: 700mm



- Shaver Socket 

Cabinet Mirrors

SINGLE KNOB MIRROR CABINET

Plain Cabinets

Description (width x height x depth)	Code	£ Ex VAT	£ Inc VAT
400 x 400 x 180mm Mirror Cabinet	56.1042	126.00	151.20
400 x 800 x 180mm Mirror Cabinet	56.1044	201.00	241.20

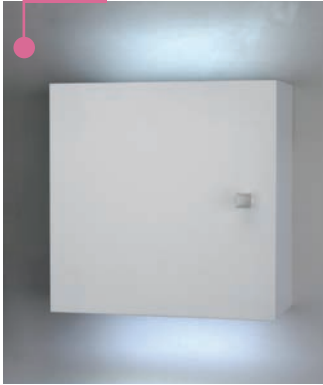
Mirror with LED IP54.

Plain Cabinets

Description (width x height x depth)	Code	£ Ex VAT	£ Inc VAT
400 x 400 x 180mm Cabinet with LED White [†]	56.1039	143.00	171.60
400 x 800 x 180mm Cabinet with LED White [†]	56.1041	204.00	244.80

Mirror with LED IP54. [†]While stocks last

56.1039



56.1039



56.1041



LED Lights



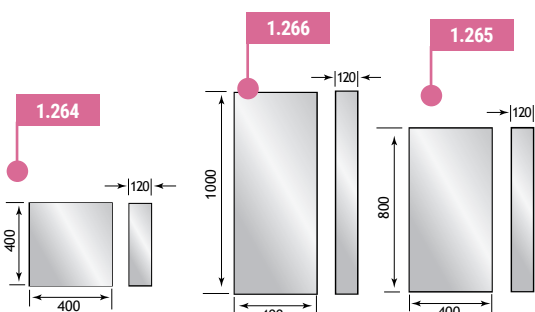
Cabinet Mirrors

These versatile, modular wall cupboards are ideal for family needs giving everyone their own storage space. The cupboards are reversible, feature soft close doors and can be used in any combination.

Oslo			
Description	Code	£ Ex VAT	£ Inc VAT
Oslo square 400mm wall cupboard White	1.263	201.00	241.20
Oslo square 400mm mirror wall cupboard White	1.264	211.00	253.20



Description	Code	£ Ex VAT	£ Inc VAT
Oslo wall cupboard 400 x 800mm White	1.265	253.00	303.60
Oslo wall cupboard 400 x 1000mm White	1.266	274.00	328.80

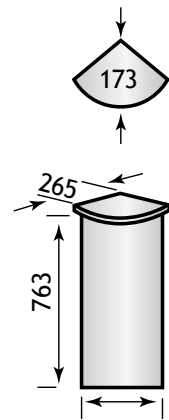


Cabinet Mirrors

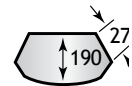
BONITO CORNER UNIT



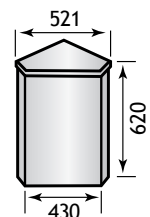
Bonito corner mirror 1.088
(Mirror only, not cabinet)



Corner cupboard light cornice 1-002



Corner mirror cupboard 1-000



Bonito

Description	Code	£ Ex VAT	£ Inc VAT
Corner mirror cupboard carcass High gloss white	1.000	262.00	314.40
Corner cupboard light cornice High Gloss White	1.002	103.00	123.60
Bonito Corner mirror with 1 Halogen White *	1.088	201.00	241.20

NB: Cornice is IP54. *During the life of this catalogue lights may change to LED.

Madrid Mirrors



Madrid

Description	Code	£ Ex VAT	£ Inc VAT
43cm mirror 1 Halogen White	1.086	250.00	300.00
Madrid 20cm wall unit White	1.015	150.00	180.00
Diamante/Madrid 20cm single shelf White	1.217	95.00	114.00
Diamante 60cm mirror - *	1.203	150.00	180.00
Diamante 60cm Cornice White	1.204	226.00	271.20
Diamante 80cm mirror - *	1.208	172.00	206.40
Diamante 80cm Cornice White	1.209	277.00	332.40
Diamante 100cm mirror - *	1.213	192.00	230.40
Diamante 100cm Cornice White	1.214	297.00	356.40

Unit 1.015 has 2 shelves inside

Sorrento Mirrors



Sorrento			
Description	Code	£ Ex VAT	£ Inc VAT
Sorrento 40cm mirror -	1.418	126.00	151.20
Sorrento 45cm cornice*High Gloss White	1.520	197.00	236.40
Sorrento 60cm cornice*High Gloss White	1.521	224.00	268.80
Sorrento 70cm mirror -	1.419	170.00	204.00
Sorrento 80cm cornice*High Gloss White	1.522	264.00	316.80
Sorrento 800mm 'Wave' action infra red cornice High gloss white	1.219	336.00	403.20

FEATURES

- Separate shaver socket
- 800 cornice has a sensor option

NB: Mirror must be fitted with cornice. All cornices are IP54.
*During the life of this catalogue lights may change to LED.

Cornices are now available with an option of 'Wave' action infra red technology to activate lights.



LED Mirrors

Faro			
Description	Code	£ Ex VAT	£ Inc VAT
Faro 39cm mirror	1.270	138.00	165.60
Faro 39cm cornice	1.277	197.00	236.40
Faro 58cm wave action cornice	1.272	289.00	346.80
Faro 58cm mirror	1.271	167.00	200.40
Faro 80cm mirror	1.273	192.00	230.40
Faro 80cm wave action cornice	1.274	334.00	400.80
Faro 100cm mirror	1.275	220.00	264.00
Faro 100cm wave action cornice	1.276	368.00	441.60
Faro 20cm Wall Cupboard*	1.268	181.00	217.20

FEATURES

- Wave action infrared sensor (on/off)

*This line needs to be doubled if two cupboards required. Mirror must be fitted with cornice. Cornice is IP54. **During the life of this catalogue lights may change to LED.



Arno			
Description (Width x height)	Code	£ Ex VAT	£ Inc VAT
Arno 500 x 700mm LED mirror	40.1020	325.00	390.00
Arno 600 x 800mm LED mirror	40.1021	366.00	439.20

FEATURES

- LED lights
- Matt black aluminium frame
- Fitted portrait or landscape
- Touch switch
- Demister

IP44



LED Mirrors

BIVIEVE



Portrait or
Landscape



Touch Sensor



LED Lights



Bivieve

Description (Width x height)	Code	£ Ex VAT	£ Inc VAT
Bivieve 500 x 700mm LED mirror	40.1012	206.00	247.20
Bivieve 600 x 800mm LED mirror	40.1013	240.00	288.00

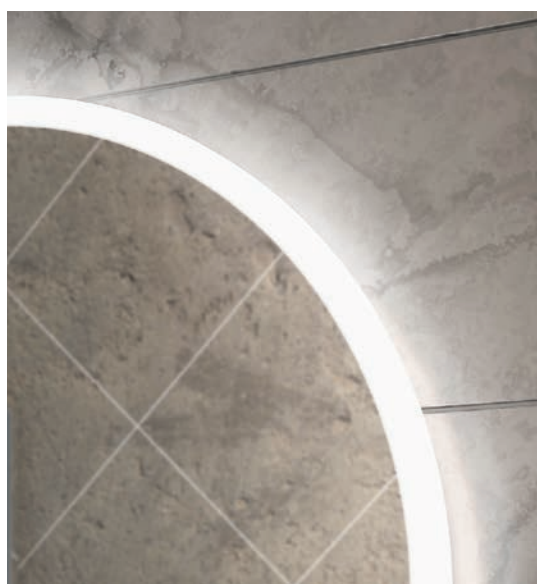
FEATURES

- LED lights
- Fitted portrait or landscape
- Aluminium frame
- Touch sensor
- Demister

IP44



LED Mirrors



Conza			
Description (Width x height)	Code	£ Ex VAT	£ Inc VAT
Conza 500 x 500mm LED mirror	40.1014	312.00	374.40
Conza 600 x 600mm LED mirror	40.1015	346.00	415.20


FEATURES


- Demister
- LED lights
- On/off touch sensor


IP44

CONZA



Demister 

Touch Sensor 

LED Lights 



Ellera			
Description (diameter x depth)	Code	£ Ex VAT	£ Inc VAT
Ellera 580 x 40 Circular LED Mirror	40.0036	259.00	310.80
Ellera 620 x 40 Circular LED Mirror	40.0037	281.00	337.20


FEATURES


- On/off touch sensor switch
- Demister
- LED lights
- Touch Sensor

Mirror is IP54.

ELLERA



Touch Sensor 

Demister 

LED Lights 

LED Mirrors

ESK

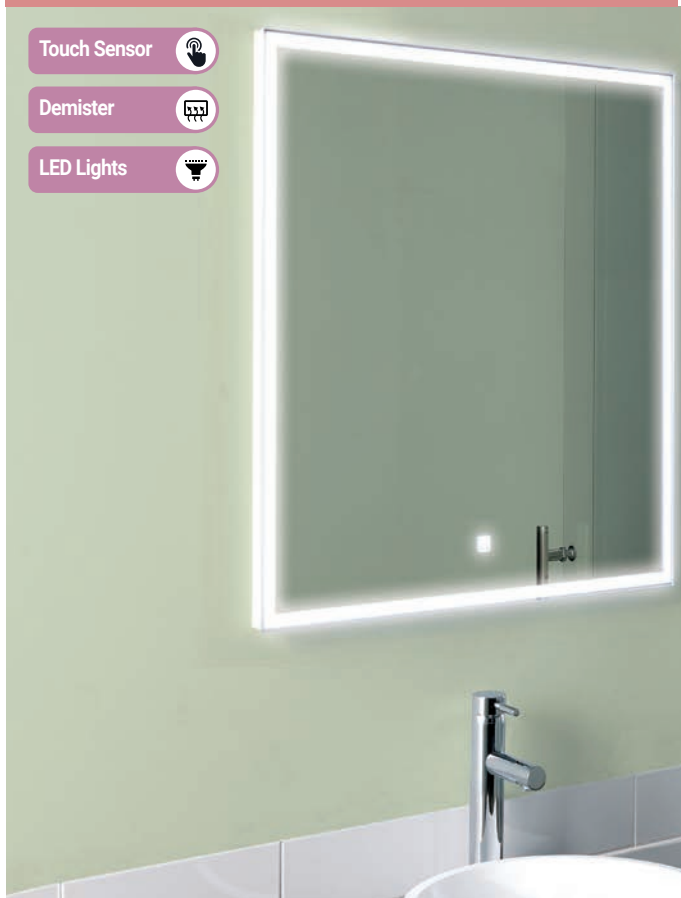
Touch Sensor



Demister



LED Lights



Esk

Description (width x height)	Code	£ Ex VAT	£ Inc VAT
Esk 600 x 700 LED mirror	56.1079	277.00	332.40
Esk 700 x 700 LED mirror	56.1080	315.00	378.00

FEATURES

- LED lights
- On/off touch sensor switch
- Demister pad

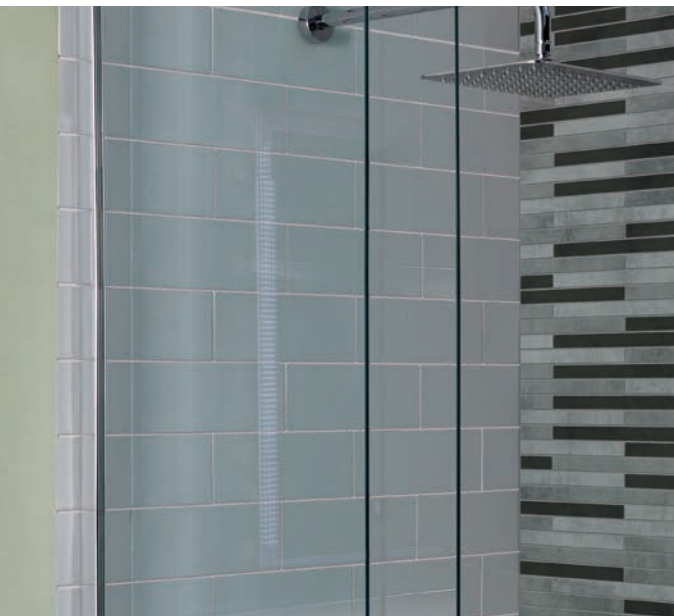
Mirror is IP54.

ETTRICK

Touch Sensor



LED Lights



Ettrick

Description (width x height)	Code	£ Ex VAT	£ Inc VAT
Ettrick 500 x 700 LED mirror	56.1078	241.00	289.20

FEATURES

- LED lights
- On/off touch sensor switch

Mirror is IP54.



LED detail

LED Mirrors



FABRIANO



Magnifier detail

Fabriano

Description (width x height)	Code	£ Ex VAT	£ Inc VAT
Fabriano 700 x 500mm LED Landscape Mirror	40.1004	346.00	415.20
Fabriano 700 x 500mm LED Portrait Mirror	40.1005	346.00	415.20

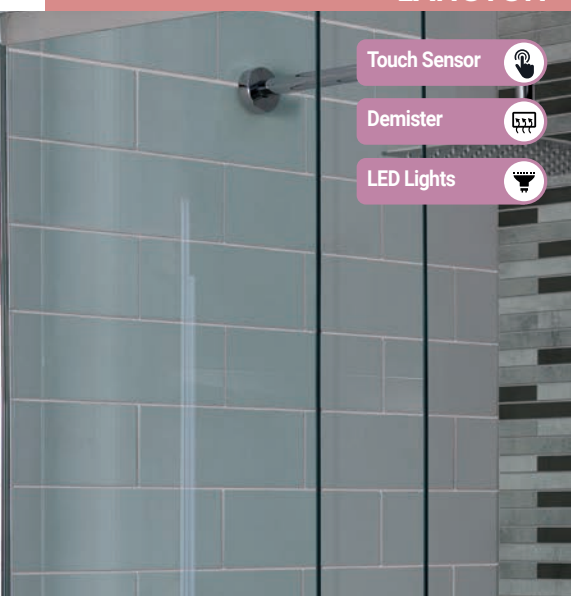
FEATURES

- LED lighting
- Sensor control
- Digital clock
- Magnifier (6x magnification)
- Demister

Mirror is IP54.



LANGTON



Langton

Description (Width x height)	Code	£ Ex VAT	£ Inc VAT
Langton 500 x 700 illuminated mirror	56.1073	248.00	297.60
Langton 600 x 700 illuminated mirror	56.1074	258.00	309.60

FEATURES

- Light strips
- Demister pad
- On/off touch sensor switch
- Digital clock

Mirror is IP54

LED Mirrors

LARGO



Touch Sensor



LED Lights



Largo

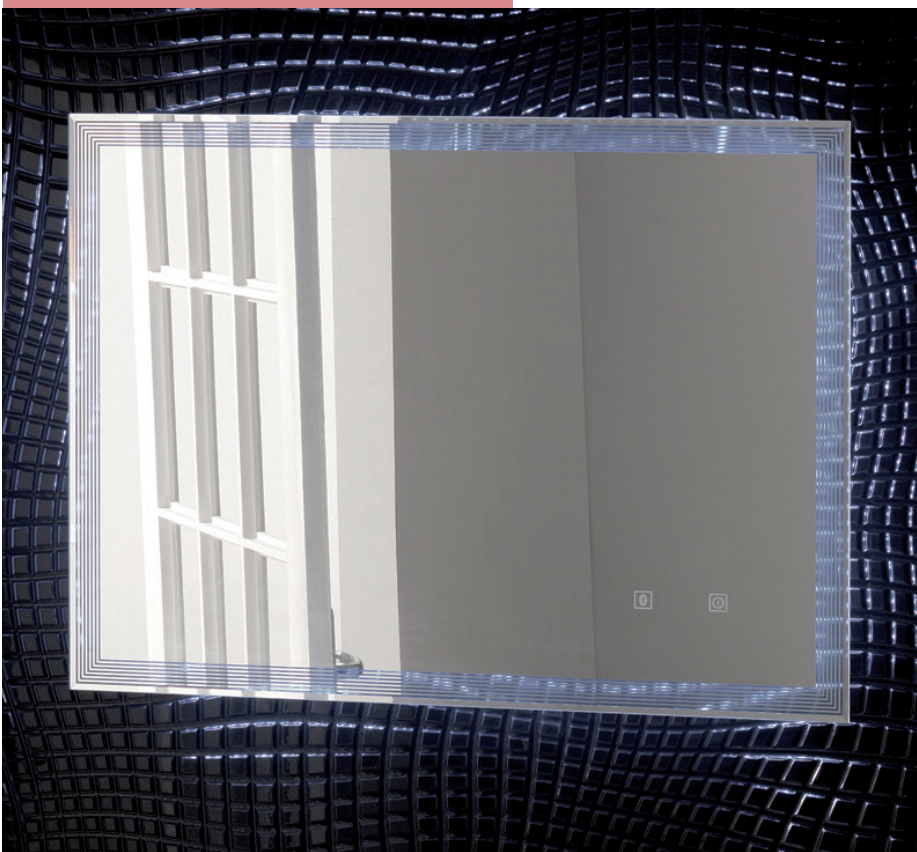
Description (Width x height)	Code	£ Ex VAT	£ Inc VAT
Largo 600 x 600mm LED mirror	40.1016	341.00	409.20
Largo 800 x 800mm LED mirror	40.1017	420.00	504.00

FEATURES

- On/off touch sensor switch
- Matt black aluminium frame
- Demister
- LED lights

IP44

LEVEN



Bluetooth



Demister



Touch Sensor



LED Lights



Leven

Description (width x height x depth)	Code	£ Ex VAT	£ Inc VAT
Leven 600 x 600 bluetooth mirror	56.1081	387.00	464.40
Leven 700 x 600 bluetooth mirror	56.1082	399.00	478.80
Leven 800 x 600 bluetooth mirror	56.1083	416.00	499.20

FEATURES



- LED lights
- On/off touch sensor switch
- Demister pad
- Bluetooth enabled

Link up your phone, tablet or computer via Bluetooth to play music through the Leven mirror!

Mirror is IP54.

LED Mirrors



- Touch Sensor 
- LED Lights 

LED BATHROOM MIRROR



LED Bathroom Mirror			
Description (width x height)	Code	£ Ex VAT	£ Inc VAT
LED bathroom mirror 700 x 500 -	56.1004	290.00	348.00
LED bathroom mirror 700 x 600 -	56.1005	316.00	379.20

- FEATURES**
- LED lights
 - Touch sensor

Mirror is IP54.



- Demister 
- Touch Sensor 
- LED Lights 
- Portrait or Landscape 

ORTA



Orta			
Description (width x height)	Code	£ Ex VAT	£ Inc VAT
Orta 500 x 700mm LED mirror	40.1006	236.00	283.20
Orta 600 x 800mm LED mirror	40.1007	261.00	313.20
Orta 1200 x 600mm LED mirror	40.1008	380.00	456.00

- FEATURES**
- Demister
 - LED lights
 - Fitted portrait or landscape
 - Touch sensor
 - Aluminium frame

Mirror is IP44.

LED Mirrors

OVADA



Demister



LED Lights



Ovada

Description (width x height x depth)	Code	£ Ex VAT	£ Inc VAT
Ovada 500 x 700 x 45 Mirror with Light	40.0038	167.00	200.40

FEATURES

- Demister
- LED lights

Mirror is IP54.



PEGELLA

Pegella Mirror 40.0034



Touch Sensor



Demister



LED Lights



Pegella

Description (width x height x depth)	Code	£ Ex VAT	£ Inc VAT
Pegella 400 x 600 x 45 LED Mirror	40.0031	264.00	316.80
Pegella 500 x 700 x 45 LED Mirror	40.0032	306.00	367.20
Pegella 600 x 800 x 45 LED Mirror	40.0033	348.00	417.60
Pegella 800 x 700 x 45 LED Mirror	40.0034	370.00	444.00
Pegella 1400 x 420 x 45 LED Mirror	40.0035	469.00	562.80

FEATURES

- Demister
- LED lights
- On/off touch sensor

Mirror is IP54.

Pegella Mirror 40.0035



LED Mirrors



Touch Sensor 

Demister 

LED Lights 

SPEY

Spey				
Description (width x height)	Code	£ Ex VAT	£ Inc VAT	
Spey 500 x 700 LED shelf mirror †	56.1084	334.00	400.80	
Spey 600 x 700 LED shelf mirror †	56.1085	356.00	427.20	
Spey 700 x 700 LED shelf mirror †	56.1086	381.00	457.20	

FEATURES

- LED lights
- On/off touch sensor switch
- Digital clock
- Demister pad
- Integral shelf

You have the time, you have the light, and also a display shelf. All built-in to the Spey mirror.

Mirror is IP54. †While stocks last



40.1000 (White)

Touch Sensor 

LED Lights 

TREVISO

Treviso				
Description (width x height x depth)	Light Colour	Code	£ Ex VAT	£ Inc VAT
Treviso 700 x 500mm LED Landscape Mirror White LED	White	40.1000	246.00	295.20
Treviso 700 x 500mm LED Landscape Mirror Blue LED	Blue	40.1001	246.00	295.20
Treviso 700 x 500mm LED Portrait Mirror White LED	White	40.1002	246.00	295.20
Treviso 700 x 500mm LED Portrait Mirror Blue LED	Blue	40.1003	246.00	295.20

FEATURES

- White or blue LED light
- Sensor control



40.1001 (Blue)

LED Mirrors

VARANO



Varano

Description (Width x height)	Code	£ Ex VAT	£ Inc VAT
Varano 500x700mm LED mirror	40.1018	294.00	352.80
Varano 600x800mm LED mirror	40.1019	337.00	404.40

FEATURES

- On/off touch sensor switch
- Matt black aluminium frame
- Demister
- LED lights
- Fitted portrait or landscape

IP44

Portrait or
Landscape



Touch Sensor



Demister



LED Lights



VERNAY



Vernay

Description (width x height)	Code	£ Ex VAT	£ Inc VAT
Vernay 500x700mm LED mirror	40.1009	224.00	268.80
Vernay 600x800mm LED mirror	40.1010	250.00	300.00
Vernay 1200x600mm LED mirror	40.1011	371.00	445.20

FEATURES

- On/off touch sensor switch
- Demister
- LED lights
- Fitted portrait or landscape

Mirror is IP44.

Portrait or
Landscape



Touch Sensor



Demister



LED Lights



Florescent Mirrors

CHARLESTON

Charleston			
Description (width x height)	Code	£ Ex VAT	£ Inc VAT
Charleston bathroom mirror 500 x 700 -	66.0001	146.00	175.20
Charleston Bathroom Mirror 600 x 700	40.0014	169.00	202.80
Charleston bathroom mirror 600 x 800 -	66.0003	174.00	208.80

FEATURES

- Back lit
- Fluorescent tube light

Mirror is IP54.



ROCKLAND



Rockland

Description (diameter)	Code	£ Ex VAT	£ Inc VAT
Rockland circular bathroom mirror 600mm -	66.0004	156.00	187.20

FEATURES

- Back lit
- Fluorescent light

Mirror is IP54.





Shower Enclosures

Luxurious, contemporary enclosures with 5mm-10mm tempered glass.

Many products benefit from a 10 year guarantee with easy-clean glass and a comprehensive range of shower trays.

Contents

Volente enclosures	354 - 372
Vulcan enclosures	373 - 376
Vantage enclosures	377 - 383
Vantage 2000 enclosures	384 - 401
Corniche enclosures	402 - 405
Corniche 2000 enclosures	406 - 409
Vanguard enclosures	410 - 413
Walk-in enclosures	414 - 433
Biava Wet Floor	434 - 435
Shower trays	436 - 449



Volente

VOLENTE FRAMELESS DOOR

Tempered Glass - 6mm 

1850 mm High 



For an alcove situation, a frameless wall profile is needed 58.714

Luxurious, easy to clean, contemporary frameless enclosure in 6mm tempered safety glass, height 1850mm.

FEATURES

- 10 Year manufacturer's guarantee*
 - Easy clean glass
 - Concealed fittings
 - Trays available to match
 - 6mm Tempered safety glass
 - Polished Chrome
- *With conditions

DOORS

Volente Frameless Door

Size	Adjustment	Door Opening	Code	£ Ex VAT	£ Inc VAT
700mm Door	668mm-690mm†	560mm	58.811	439.00	526.80
760mm Door	728mm-750mm†	620mm	58.812	451.00	541.20
800mm Door	768mm-790mm†	660mm	58.813	467.00	560.40
900mm Door	868mm-890mm†	760mm	58.814	476.00	571.20
1000mm Door	968mm-990mm†	860mm	58.815	494.00	592.80
Alcove wall profile	Adds 10mm	-	58.714	83.00	99.60

†Alcove wall profile required for Alcove situation, adds 10mm to door adjustment.

EXTRAS

Volente Side Panel

Size	Adjustment	Code	£ Ex VAT	£ Inc VAT
700mm Side panel	672mm-690mm	58.614	330.00	396.00
760mm Side panel	732mm-750mm	58.615	330.00	396.00
800mm Side panel	772mm-790mm	58.616	330.00	396.00
900mm Side panel	872mm-890mm	58.611	343.00	411.60
1000mm Side panel	972mm-990mm	58.612	368.00	441.60
1200mm Side panel	1172mm-1190mm	58.613	415.00	498.00

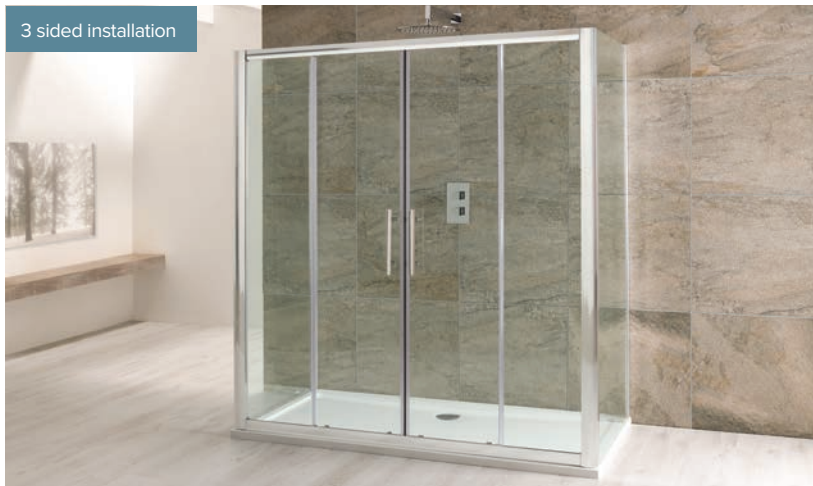
EXTRAS

Volente Extension Profile*

Description	Code	£ Ex VAT	£ Inc VAT
31mm Extension profile	58.012	61.00	73.20

*Adds 31mm to overall size of door to give greater adjustment, can only be used with door, not on side panel.

VOLENTE DOUBLE SLIDING DOOR



Luxurious, easy to clean, contemporary framed enclosure in 6mm tempered safety glass, with central opening slider doors, 1850mm high.

FEATURES

- 10 Year manufacturer's guarantee*
 - Easy clean glass
 - Concealed fittings
 - Trays available to match
 - Power shower approved
 - 3 side installation possible
 - 6mm Tempered safety glass
 - Polished Chrome
- *With conditions

When fitting with 2 side panels (as illustrated) you will need to select the next smallest door size from your selected tray. For example: for a 900mm tray you will need an 800mm door. If the difference between the tray and the door is 100mm you will also need TWO extension profiles. Please call 01452 317890 for assistance if you are in any doubt.

DOORS

Volente Sliding Door					
Size	Adjustment	Door Opening	Code	£ Ex VAT	£ Inc VAT
1200mm double sliding door	1160mm-1200mm	480mm	58.210	586.00	703.20
1400mm double sliding door	1360mm-1400mm	580mm	58.211	641.00	769.20
1500mm double sliding door	1460mm-1500mm	600mm	58.212	667.00	800.40
1600mm double sliding door	1560mm-1600mm	640mm	58.213	699.00	838.80
1700mm double sliding door	1660mm-1700mm	680mm	58.214	723.00	867.60
1800mm double sliding door	1760mm-1800mm	720mm	58.215	745.00	894.00
2000mm double sliding door	1960mm-2000mm	800mm	58.216	797.00	956.40

Adjustment varies when fitted with a side panel.

EXTRAS

Volente Side Panel					
Size	Adjustment	Code	£ Ex VAT	£ Inc VAT	
700mm Side panel	672mm-690mm	58.405	213.00	255.60	
760mm Side panel	732mm-750mm	58.406	219.00	262.80	
800mm Side panel	772mm-790mm	58.407	229.00	274.80	
900mm Side panel	872mm-890mm	58.408	246.00	295.20	
1000mm Side panel	972mm-990mm	58.409	268.00	321.60	

EXTRAS

Volente Extension Profile*				
Description	Code	£ Ex VAT	£ Inc VAT	
31mm Extension profile	58.012	61.00	73.20	

*Adds 31mm to overall size of door to give greater adjustment, can only be used with door, not on side panel.

Volente

VOLENTE SLIDER DOOR



Tempered Glass - 6mm



1850 mm High



3 sided installation



Runners release for ease of cleaning

Luxurious, easy to clean, contemporary framed enclosure in 6mm tempered safety glass, 1850mm high.

FEATURES

- 10 Year manufacturer's guarantee*
- Easy clean glass
- Concealed fittings
- Trays available to match
- Power shower approved
- 3 side installation possible
- 6mm Tempered safety glass
- Clear glass - also available in frosted glass
- Polished Chrome

When fitting with 2 side panels (as illustrated) you will need to select the next smallest door size from your selected tray. For example: for a 900mm tray you will need an 800mm door. If the difference between the tray and the door is 100mm you will also need TWO extension profiles. Please call 01452 317890 for assistance if you are in any doubt.

DOORS

Volente Slider Door - Clear Glass

Size	Adjustment	Door Opening	Code	£ Ex VAT	£ Inc VAT
1000mm slider	970mm-1000mm	340mm	58.204	420.00	504.00
1100mm slider	1070mm-1100mm	450mm	58.205	437.00	524.40
1200mm slider	1170mm-1200mm	490mm	58.206	467.00	560.40
1300mm slider	1270mm-1300mm	550mm	58.200	481.00	577.20
1400mm slider	1370mm-1400mm	570mm	58.207	511.00	613.20
1500mm slider	1470mm-1500mm	650mm	58.201	530.00	636.00
1600mm slider	1570mm-1600mm	700mm	58.202	558.00	669.60
1700mm slider	1670mm-1700mm	750mm	58.203	577.00	692.40
1800mm slider	1770mm-1800mm	800mm	58.208	604.00	724.80
2000mm slider	1970mm-2000mm	875mm	58.209	631.00	757.20

Adjustment varies when fitted with a side panel.

EXTRAS

Volente Side Panel - Clear Glass

Size	Adjustment	Code	£ Ex VAT	£ Inc VAT
700mm Side panel	672mm-690mm	58.405	213.00	255.60
760mm Side panel	732mm-750mm	58.406	219.00	262.80
800mm Side panel	772mm-790mm	58.407	229.00	274.80
900mm Side panel	872mm-890mm	58.408	246.00	295.20
1000mm Side panel	972mm-990mm	58.409	268.00	321.60

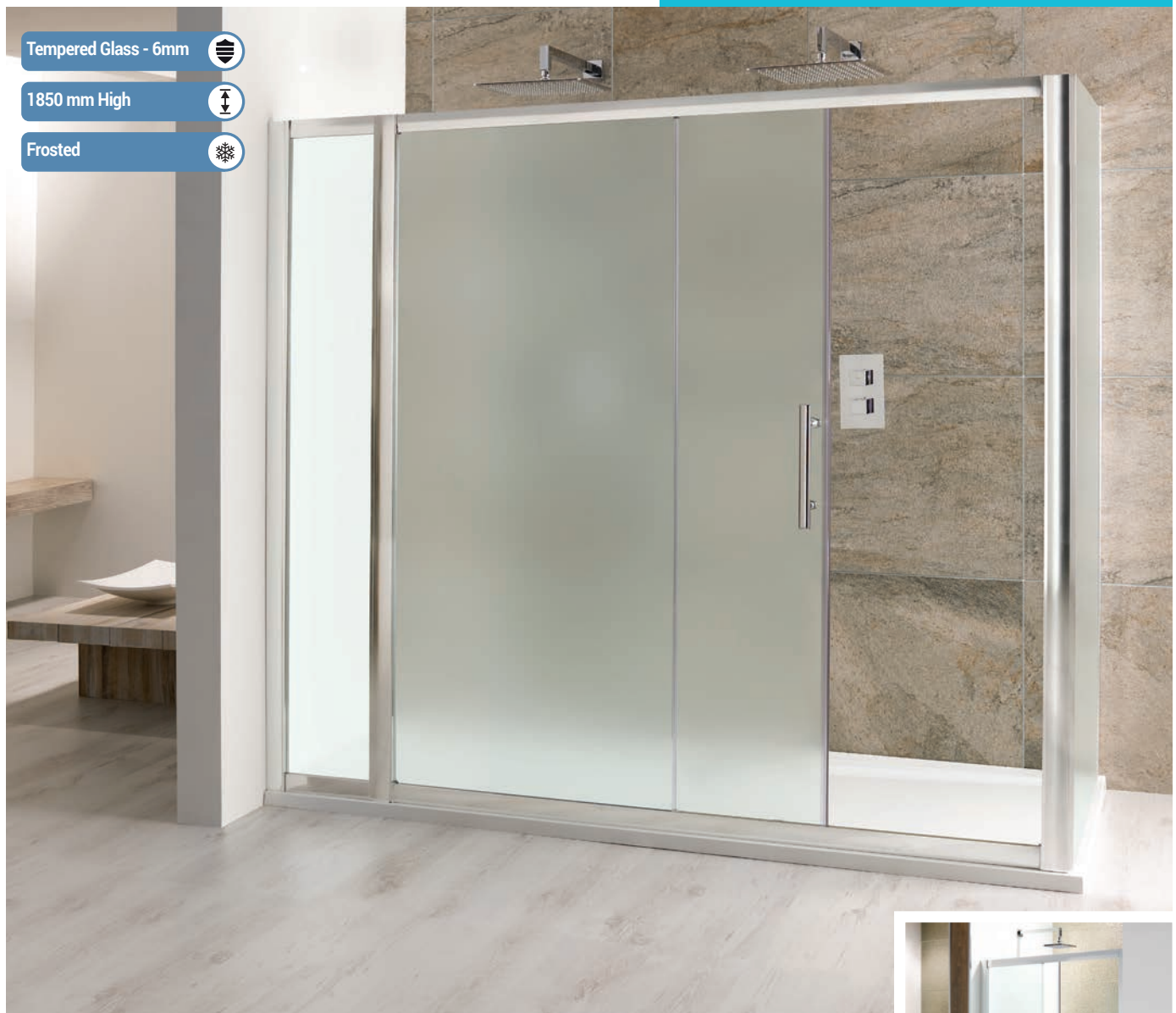
EXTRAS

Volente Extension Profile*

Description	Code	£ Ex VAT	£ Inc VAT
31mm Extension profile	58.012	61.00	73.20

*Adds 31mm to overall size of door to give greater adjustment, can only be used with door, not on side panel.

VOLENTE FROSTED SLIDER DOOR

Tempered Glass - 6mm 1850 mm High Frosted 

DOORS

Volente Slider Door - Frosted Glass

Size	Adjustment	Door Opening	Code	£ Ex VAT	£ Inc VAT
1000mm slider	970mm-1000mm	340mm	58.014	481.00	577.20
1100mm slider	1070mm-1100mm	450mm	58.015	505.00	606.00
1200mm slider	1170mm-1200mm	490mm	58.016	539.00	646.80
1300mm slider	1270mm-1300mm	550mm	58.017	566.00	679.20
1400mm slider	1370mm-1400mm	570mm	58.018	596.00	715.20
1500mm slider	1470mm-1500mm	650mm	58.019	621.00	745.20
1600mm slider	1570mm-1600mm	700mm	58.020	651.00	781.20
1700mm slider	1670mm-1700mm	750mm	58.021	676.00	811.20
1800mm slider	1770mm-1800mm	800mm	58.022	709.00	850.80
2000mm slider	1970mm-2000mm	875mm	58.023	763.00	915.60

Adjustment varies when fitted with a side panel.

EXTRAS

Volente Side Panel - Frosted Glass

Size	Adjustment	Code	£ Ex VAT	£ Inc VAT
700mm Side panel	672mm-690mm	58.024	246.00	295.20
760mm Side panel	732mm-750mm	58.025	259.00	310.80
800mm Side panel	772mm-790mm	58.026	271.00	325.20
900mm Side panel	872mm-890mm	58.027	290.00	348.00
1000mm Side panel	972mm-990mm	58.028	315.00	378.00

EXTRAS

Volente In-Line Panel - Frosted Glass

Size	Adjustment	Code	£ Ex VAT	£ Inc VAT
300mm in-line panel	300-325	58.042	219.00	262.80
300mm in-line panel with shelves	300-325	58.043	249.00	298.80
Volente in-line panel support bar	-	58.013	41.00	49.20



Volente

VOLENTE SLIDER WITH IN-LINE PANEL

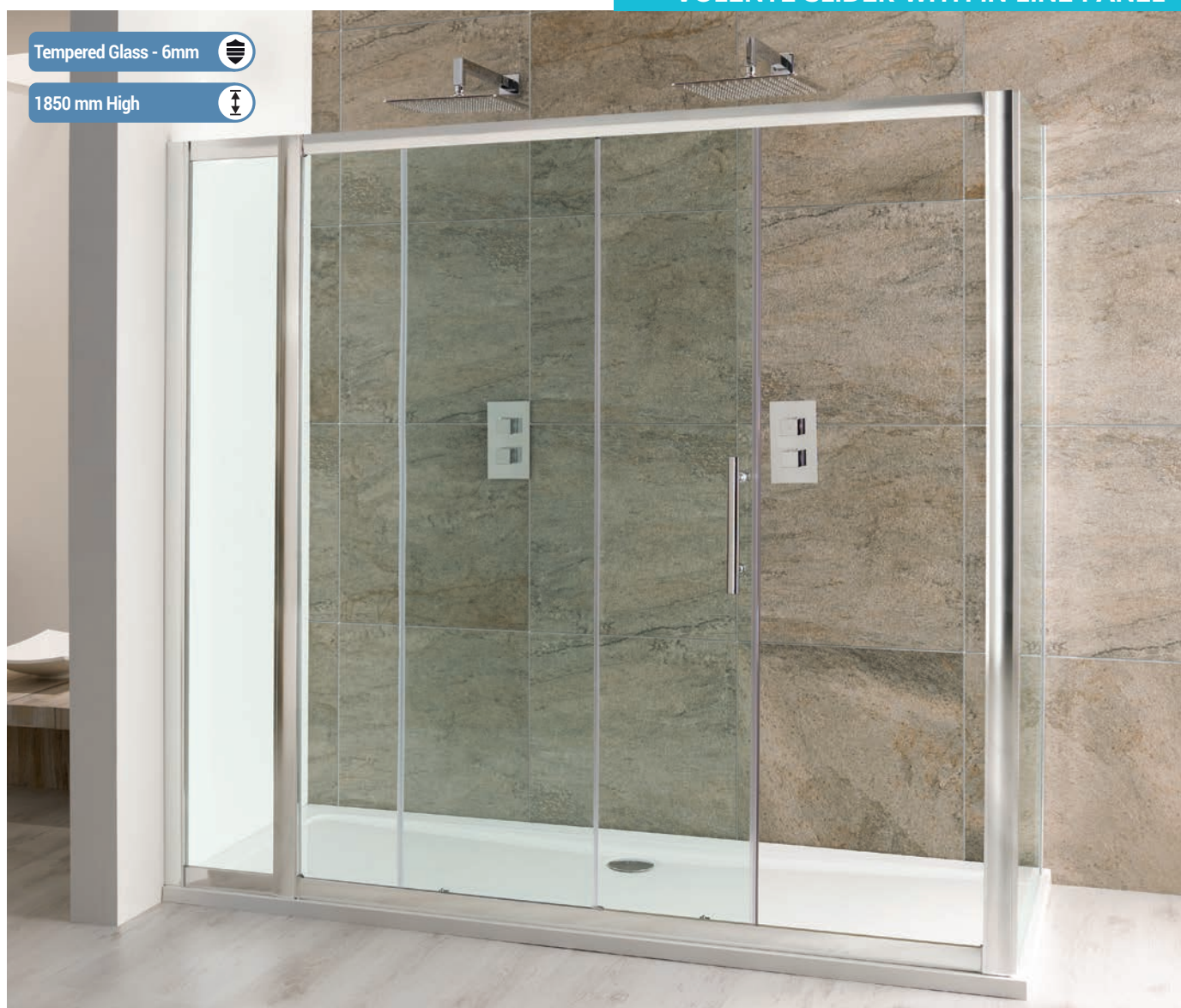
Tempered Glass - 6mm



1850 mm High



VOLENTE SLIDER WITH IN-LINE PANEL



Tempered Glass - 6mm



1850 mm High



DOORS

Volente Slider with In-Line Panel

Size	Adjustment	Door Opening	Code	£ Ex VAT	£ Inc VAT
1000mm slider	970mm-1000mm	340mm	58.204	420.00	504.00
1100mm slider	1070mm-1100mm	450mm	58.205	437.00	524.40
1200mm slider	1170mm-1200mm	490mm	58.206	467.00	560.40
1400mm slider	1370mm-1400mm	570mm	58.207	511.00	613.20
1700mm slider	1670mm-1700mm	750mm	58.203	577.00	692.40

N.B. Volente in-line panel sold separately. Sizes restricted to tray sizes available. Adjustment varies when fitted with a side panel.

EXTRAS

Volente Side Panel

Size	Adjustment	Code	£ Ex VAT	£ Inc VAT
700mm Side panel	672mm-690mm	58.405	213.00	255.60
760mm Side panel	732mm-750mm	58.406	219.00	262.80
800mm Side panel	772mm-790mm	58.407	229.00	274.80
900mm Side panel	872mm-890mm	58.408	246.00	295.20
1000mm Side panel	972mm-990mm	58.409	268.00	321.60

Volente in-Line Panel

Size	Adjustment	Code	£ Ex VAT	£ Inc VAT
300mm in-line panel	300mm-325mm	58.010	225.00	270.00
300mm in-line panel with shelves	300mm-325mm	58.011	253.00	303.60
Volente in-line panel support bar	-	58.013	41.00	49.20



Runners release for ease of cleaning

Luxurious, easy to clean, contemporary framed enclosure in 6mm tempered safety glass, 1850mm high, shown with in-line panel with optional shelves.

FEATURES

- 10 Year manufacturer's guarantee*
 - Easy clean glass
 - Concealed fittings
 - Trays available to match
 - Power shower approved
 - 6mm Tempered safety glass
 - Polished Chrome
- *With conditions

Volente

VOLENTE QUAD

Tempered Glass - 6mm 

1850 mm High 



Runners release for ease of cleaning

Luxurious, easy to clean, contemporary framed enclosure in 6mm tempered safety glass, height 1850mm.

FEATURES

- 10 Year manufacturer's guarantee*
 - Easy clean glass
 - Concealed fittings
 - Trays available to match
 - Power shower approved
 - 6mm Tempered safety glass
 - Polished Chrome
- *With conditions

DOORS

Volente Quad

Size	Adjustment	Door Opening	Code	£ Ex VAT	£ Inc VAT
800mm	767mm-790mm	470mm	58.003	478.00	573.60
900mm	867mm-890mm	470mm	58.004	478.00	573.60
1000mm	967mm-990mm	540mm	58.006	569.00	682.80

EXTRAS

Volente Extension Profile*

Description	Code	£ Ex VAT	£ Inc VAT
31mm Extension profile	58.012	61.00	73.20

*Adds 31mm to overall size of door to give greater adjustment, can only be used with door, not on side panel.

VOLENTE QUAD WITH INLINE PANEL



Tempered Glass - 6mm 

1850 mm High 



Luxurious, easy to clean, contemporary framed enclosure in 6mm tempered safety glass, 1850mm high.

- FEATURES**
- 10 Year manufacturer's guarantee*
 - Easy clean glass
 - Concealed fittings
 - Trays available to match
 - Power shower approved
 - 6mm Tempered safety glass
 - Polished Chrome
- *With conditions

DOORS

Volente Quad					
Size	Adjustment	Door Opening	Code	£ Ex VAT	£ Inc VAT
800mm	767mm-790mm	470mm	58.003	478.00	573.60
900mm	867mm-890mm	470mm	58.004	478.00	573.60

EXTRAS

Volente In-Line Panel					
Description			Code	£ Ex VAT	£ Inc VAT
300mm in-line panel	300mm-325mm		58.010	225.00	270.00
300mm in-line panel with shelves	300mm-325mm		58.011	253.00	303.60
Volente inline panel support bar	-		58.013	41.00	49.20

N.B. Volente in-line panel sold separately, sizes restricted to tray sizes available.

Volente

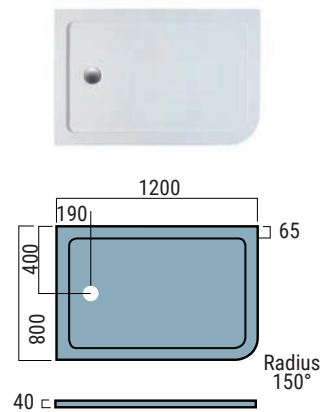
VOLENTE CURVED CORNER

Tempered Glass - 6mm 

1850 mm High 



Right Hand Shown



NB. Must order both 58.600 and 58.601 as both door and panel required to make enclosure.

DOORS

Volente Curved Corner

Size	Adjustment	Door Opening	Code	£ Ex VAT	£ Inc VAT
1200 x 800mm curved corner door**	782-800mm	760mm	58.600	381.00	457.20
1200 x 800mm curved corner panel**	1180-1200mm	-	58.601	475.00	570.00

** NB. Must order both 58.600 and 58.601 as both door and panel required to make enclosure. See Extras section below for trays to match.

EXTRAS

Volente Curved Corner

Description	Code	£ Ex VAT	£ Inc VAT
1200 x 800mm tray LH*	158.602	303.00	363.60
1200 x 800mm tray RH*	158.603	303.00	363.60
Legs and panel for 58.602/3	158.604	109.00	130.80
90mm Shower Waste	12.040	26.00	31.20
Volente Luxury Shower Waste Chrome	41.5000	31.00	37.20

* Price does not include shower waste (12.040 or 41.5000). 90mm shower waste required.

Luxurious, easy to clean, contemporary framed enclosure in 6mm tempered safety glass, height 1850mm.

FEATURES

- 10 Year manufacturer's guarantee*
 - Easy clean glass
 - Concealed fittings
 - Trays available to match
 - 6mm Tempered safety glass
 - Polished Chrome
- *With conditions

Tempered Glass - 6mm 1850 mm High 

VOLENTE OFFSET QUAD



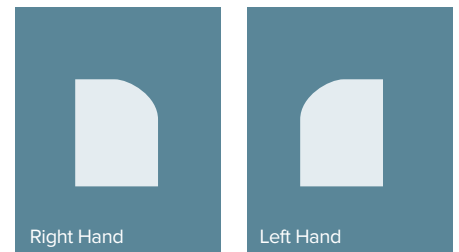
Runners release for ease of cleaning

Luxurious, easy to clean, contemporary framed enclosure in 6mm tempered safety glass, height 1850mm.

FEATURES

- 10 Year manufacturer's guarantee*
- Easy clean glass
- Concealed fittings
- Trays available to match
- Power shower approved
- 6mm Tempered safety glass
- Polished Chrome

*With conditions



Right Hand

Left Hand

Offset Quadrant reversible left hand or right hand.

DOORS

Volente Offset Quad

Size	Adjustment	Door Opening	Code	£ Ex VAT	£ Inc VAT
900 x 700mm	867-890/667-690mm	360mm	58.049	537.00	644.40
1000 x 700mm	967-990/667-690mm	360mm	58.123	554.00	664.80
1000 x 800 mm	967-990/767-790mm	470mm	58.107	569.00	682.80
1000 x 900 mm	967-990/767-790mm	540mm	58.108	569.00	682.80
1100 x 700 mm	1067-1090/667-690mm	360mm	58.124	582.00	698.40
1100 x 760 mm	1067-1090/727-750mm	480mm	58.109	601.00	721.20
1100 x 800 mm	1067-1090/767-790mm	480mm	58.120	582.00	698.40
1100 x 900 mm	1067-1090/867-890mm	540mm	58.121	582.00	698.40
1200 x 700 mm	1167-1190/667-690mm	360mm	58.122	612.00	734.40
1200 x 800 mm	1167-1190/767-790mm	470mm	58.105	624.00	748.80
1200 x 900 mm	1167-1190/787-790mm	540mm	58.106	624.00	748.80
1300 x 760 mm	1267-1290/727-790mm	480mm	58.125	642.00	770.40
1300 x 800 mm	1267-1290/767-799mm	480mm	58.126	642.00	770.40
1400 x 760 mm	1367-1390/727-790mm	480mm	58.127	669.00	802.80
1400 x 800 mm	1367-1390/767-790mm	480mm	58.128	669.00	802.80

EXTRAS

Volente Extension Profile*

Description	Code	£ Ex VAT	£ Inc VAT
31mm Extension profile	58.012	61.00	73.20

Volente Extension Profile - Adds 31mm to overall size of door to give greater adjustment.

Volente

VOLENTE SINGLE DOOR QUAD

Tempered Glass - 6mm 

1850 mm High 



Door is reversible.
Enclosure requires special tray, see below.

DOORS

Volente Single Door Quad

Size	Adjustment	Door Opening	Code	£ Ex VAT	£ Inc VAT
800mm door	767-782mm	450mm	58.007*	356.00	427.20
900mm door	862-882mm	550mm	58.008*	356.00	427.20
1000mm door	962-982mm	600mm	58.009*	531.00	637.20

*Requires special tray - see below for matching trays and Legs & Panels.

TRAYS TO MATCH

Bow Fronted Trays to match Volente Single Door Quad

Size	Waste Size	A	B	C	D	E	F	H	Code	£ Ex VAT	£ Inc VAT
800 x 800*	90	800	800	40	65	190	190	598	158.618	263.00	315.60
900 x 900*	90	900	900	40	65	190	190	673	158.619	267.00	320.40
1000 x 1000*	90	1000	1000	40	65	190	190	748	158.620	289.00	346.80

*Price does not include shower waste

EXTRAS

Description	Code	£ Ex VAT	£ Inc VAT
Volente legs & panel for 158.618 tray	158.621	119.00	142.80
Volente legs & panel for 158.619 tray	158.622	121.00	145.20
Volente legs & panel for 158.620 tray	158.623	126.00	151.20
90mm Shower Waste Chrome	12.040	26.00	31.20



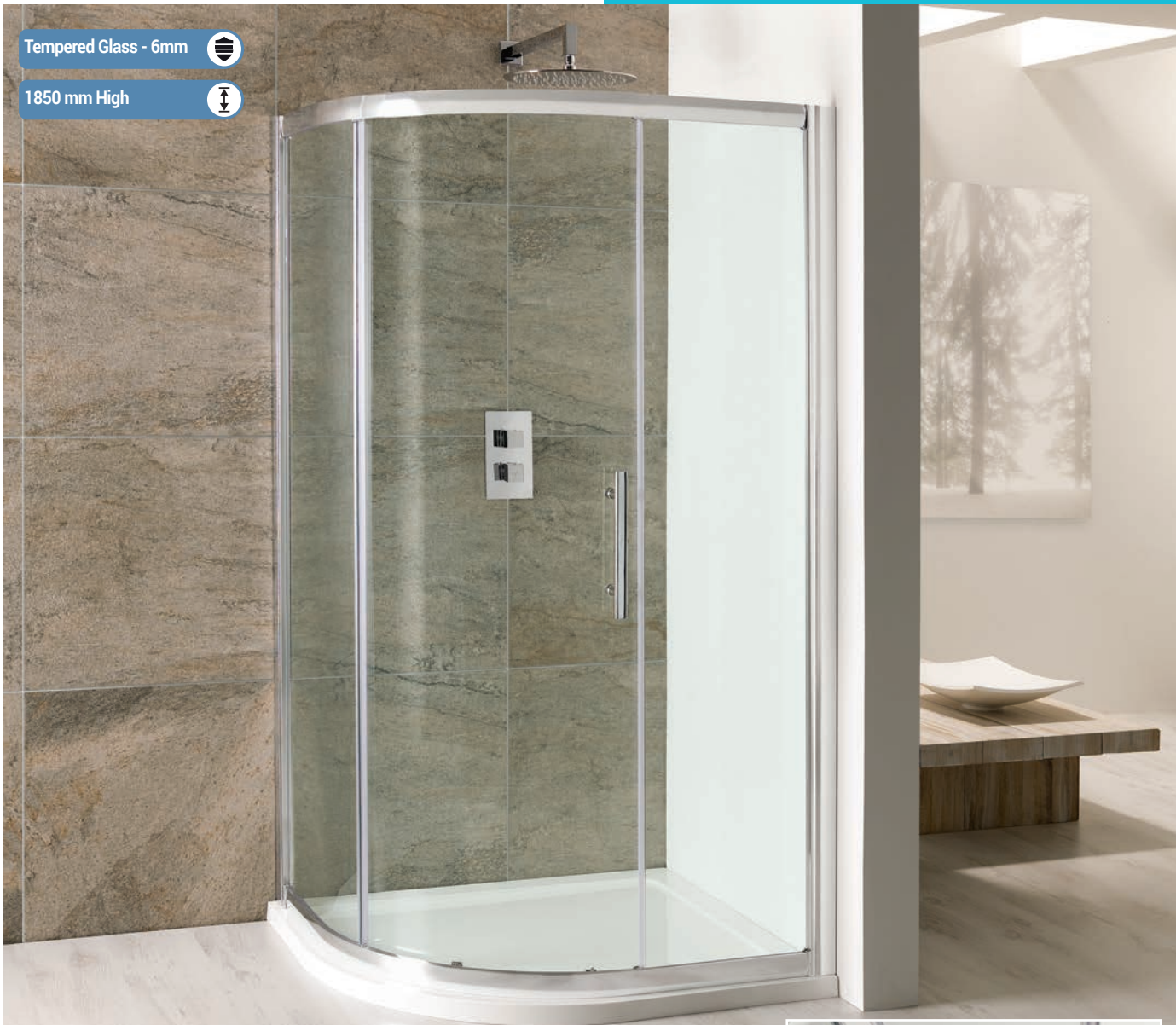
Runners release for ease of cleaning


Luxurious, easy to clean, contemporary framed enclosure in 6mm tempered safety glass, height 1850mm.


FEATURES

- 10 Year manufacturer's guarantee*
 - Easy clean glass
 - Concealed fittings
 - Trays available to match
 - Power shower approved
 - 6mm Tempered safety glass
 - Polished Chrome
- *With conditions

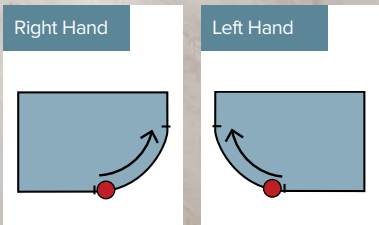
VOLENTE SINGLE DOOR OFFSET QUAD



Tempered Glass - 6mm 

1850 mm High 

● Door handle - position when closed. Only available opening as shown. Position of large panel may vary depending on size of enclosure. Enclosure can be fitted on left or right handed tray.



Runners release for ease of cleaning

1200 x 900mm enclosure shown in left hand.

DOORS

Volente Single Door Offset Quad

Size	Adjustment	Door Opening	Code	£ Ex VAT	£ Inc VAT
900 x 760mm door	870-893 x 730-753	420mm	58.110	519.00	622.80
900 x 800mm door	870-893 x 770-793	440mm	58.111	519.00	622.80
1000 x 760mm door	970-993 x 730-753	420mm	58.112	618.00	741.60
1000 x 800mm door	970-993 x 770-793	440mm	58.113	618.00	741.60
1000 x 900mm door	970-993 x 870-893	470mm	58.114	618.00	741.60
1200 x 760mm door	1170-1193 x 730-753	420mm	58.115	677.00	812.40
1200 x 800mm door	1170-1193 x 770-793	440mm	58.116	677.00	812.40
1200 x 900mm door	1170-1193 x 870-893	470mm	58.117	677.00	812.40

Note: 550mm radius on tray.

Luxurious, easy to clean, contemporary framed enclosure in 6mm tempered safety glass, height 1850mm.

FEATURES

- 10 Year manufacturer's guarantee*
 - Easy clean glass
 - Concealed fittings
 - Trays available to match
 - Power shower approved
 - 6mm Tempered safety glass
 - Polished Chrome
- *With conditions

Volente

VOLENTE SPACESAVER QUAD

Tempered Glass - 6mm 

1850 mm High 

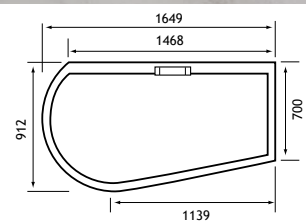
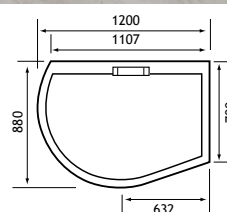
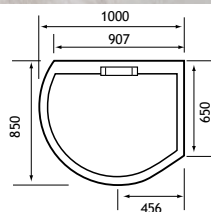
1650 x 912/700mm. LH shown, runners release for easy cleaning.



All diagrams shown are left hand

Note

During the life of this brochure, the design of these trays will change. When ordering, please check you have ordered the correct waste.



VOLENTE SPACESAVER QUAD



DOORS

Volente Spacesaver Offset Quad

Size	Door Opening	Code	£ Ex VAT	£ Inc VAT
1000 x 850/650	560mm	58.104	495.00	594.00
1200 x 880/700	520mm	58.100	549.00	658.80
1650 x 912/700	500mm	58.101	701.00	841.20

EXTRAS

TRAYS

Description	Code	£ Ex VAT	£ Inc VAT
LH Tray for 58.104*	158.730	169.00	202.80
RH Tray for 58.104*	158.731	169.00	202.80
LH Tray for 58.100*	158.732	187.00	224.40
RH Tray for 58.100*	158.734	187.00	224.40
LH Tray for 58.101*	158.735	285.00	342.00
RH Tray for 58.101*	158.736	285.00	342.00
50mm Shower Waste	158.737	21.00	25.20

*Must be fitted with 158.737



Right hand shown, 1000 x 850/650mm


Luxurious, easy to clean, contemporary framed enclosure with a unique space saving shape allowing it to fit into smaller spaces but still providing luxurious room to shower.

FEATURES

- 10 Year manufacturer's guarantee*
- Easy clean glass
- Integral waste
- Trays available to match
- Power shower approved
- 6mm Tempered safety glass
- 1850 mm high
- Polished Chrome
- Integral waste
- *With conditions

Volente

VOLENTE HINGED DOOR

Tempered Glass - 6mm 

1850 mm High 



In-line panel must be fitted to hinge side of the door as illustrated, and fitted with a 58.013 support bar.

Luxurious, easy to clean, contemporary framed enclosure in 6mm tempered safety glass, height 1850mm.

FEATURES

- 10 Year manufacturer's guarantee*
 - Easy clean glass
 - Concealed fittings
 - Trays available to match
 - 6mm Tempered safety glass
 - Clear glass - also available in frosted glass
 - Polished Chrome
- *With conditions

DOORS

Volente Hinged Door - Clear Glass

Size	Adjustment	Door Opening	Code	£ Ex VAT	£ Inc VAT
700mm door	660mm-700mm	560mm	58.305	423.00	507.60
760mm door	720mm-760mm	620mm	58.306	433.00	519.60
800mm door	760mm-800mm	660mm	58.307	444.00	532.80
900mm door	860mm-900mm	760mm	58.308	473.00	567.60
1000mm door	960mm-1000mm	860mm	58.309	511.00	613.20

Adjustment varies when fitted with a side panel.

EXTRAS

Volente Side Panel - Clear Glass

Size	Adjustment	Code	£ Ex VAT	£ Inc VAT
700mm Side panel	672mm-690mm	58.405	213.00	255.60
760mm Side panel	732mm-750mm	58.406	219.00	262.80
800mm Side panel	772mm-790mm	58.407	229.00	274.80
900mm Side panel	872mm-890mm	58.408	246.00	295.20
1000mm Side panel	972mm-990mm	58.409	268.00	321.60

EXTRAS

Volente in-Line Panel

Size	Adjustment	Code	£ Ex VAT	£ Inc VAT
300mm in-line panel*	300mm-325mm	58.010	225.00	270.00
300mm in-line panel with shelves*	300mm-325mm	58.011	253.00	303.60
Volente in-line panel support bar	-	58.013	41.00	49.20

*Must be fitted with a 58.013 support bar

EXTRAS

Volente Extension Profile*

Description	Code	£ Ex VAT	£ Inc VAT
31mm Extension profile	58.012	61.00	73.20

*Adds 31mm to overall size of door to give greater adjustment, can only be used with door, not on side panel.

VOLENTE FROSTED HINGED DOOR



Luxurious, easy to clean, contemporary framed enclosure in 6mm tempered safety glass, height 1850mm.

FEATURES

- 10 Year manufacturer's guarantee*
 - Easy clean glass
 - Concealed fittings
 - Trays available to match
 - 6mm Tempered safety glass
 - Frosted glass - also available in clear glass
 - Polished Chrome
- *With conditions

Tempered Glass - 6mm 

1850 mm High 

Frosted 

DOORS**Volente Hinged Door - Frosted Glass**

Size	Adjustment	Door Opening	Code	£ Ex VAT	£ Inc VAT
700mm door	660mm-700mm	560mm	58.037	481.00	577.20
760mm door	720mm-760mm	620mm	58.038	497.00	596.40
800mm door	760mm-800mm	660mm	58.039	508.00	609.60
900mm door	860mm-900mm	760mm	58.040	547.00	656.40
1000mm door	960mm-1000mm	860mm	58.041	587.00	704.40

Adjustment varies when fitted with a side panel.

EXTRAS**Volente Side Panel - Frosted Glass**

Size	Adjustment	Code	£ Ex VAT	£ Inc VAT
700mm Side panel	672mm-690mm	58.024	246.00	295.20
760mm Side panel	732mm-750mm	58.025	259.00	310.80
800mm Side panel	772mm-790mm	58.026	271.00	325.20
900mm Side panel	872mm-890mm	58.027	290.00	348.00
1000mm Side panel	972mm-990mm	58.028	315.00	378.00

EXTRAS**Volente In-Line Panel - Frosted Glass**

Size	Adjustment	Code	£ Ex VAT	£ Inc VAT
300mm in-line panel*	300-325	58.042	219.00	262.80
300mm in-line panel with shelves*	300-325	58.043	249.00	298.80
Volente In-line Panel Support Bar	-	58.013	41.00	49.20

*Must be fitted with a 58.013 support bar

Volente

VOLENTE BI-FOLD DOOR





Luxurious, easy to clean, contemporary framed enclosure in 6mm tempered safety glass, height 1850mm.

FEATURES

- 10 Year manufacturer's guarantee*
 - Easy clean glass
 - Concealed fittings
 - Trays available to match
 - 3 side installation possible
 - 6mm Tempered safety glass
 - Polished Chrome
- *With conditions

When fitting with 2 side panels (as illustrated above) you will need to select the next smallest door size from your selected tray. For example: for a 900mm tray you will need an 800mm door. If the difference between the tray and the door is 100mm you will also need TWO extension profiles. Please call 01452 317890 for assistance if you are in any doubt.

Tempered Glass - 6mm 

1850 mm High 

DOORS

Volente Bi-Fold Door					
Size	Adjustment	Door Opening	Code	£ Ex VAT	£ Inc VAT
700mm door	654mm-700mm	480mm	58.501	377.00	452.40
760mm door	714mm-760mm	520mm	58.502	389.00	466.80
800mm door	754mm-800mm	580mm	58.503	401.00	481.20
900mm door	854mm-900mm	650mm	58.504	415.00	498.00
1000mm door	954mm-1000mm	720mm	58.505	437.00	524.40

Adjustment varies when fitted with a side panel.

EXTRAS

Volente Side Panel					
Size	Adjustment	Code	£ Ex VAT	£ Inc VAT	
700mm Side panel	672mm-690mm	58.405	213.00	255.60	
760mm Side panel	732mm-750mm	58.406	219.00	262.80	
800mm Side panel	772mm-790mm	58.407	229.00	274.80	
900mm Side panel	872mm-890mm	58.408	246.00	295.20	
1000mm Side panel	972mm-990mm	58.409	268.00	321.60	

Volente Extension Profile*					
Description	Code	£ Ex VAT	£ Inc VAT		
31mm Extension profile	58.012	61.00	73.20		

*Adds 31mm to overall size of door to give greater adjustment, can only be used with door, not on side panel.

VOLENTE BI-FOLD DOOR WITH IN-LINE PANEL



Tempered Glass - 6mm



1850 mm High



In-line panel must be fitted to hinge side of the door as illustrated.



Luxurious, easy to clean, contemporary framed enclosure in 6mm tempered safety glass, height 1850mm, shown here with in-line panel which is sold separately.

FEATURES

- 10 Year manufacturer's guarantee*
 - Easy clean glass
 - Concealed fittings
 - Trays available to match
 - 6mm Tempered safety glass
 - Polished Chrome
- *With conditions

DOORS**Volente Bi-Fold Door**

Size	Adjustment	Door Opening	Code	£ Ex VAT	£ Inc VAT
700mm door	654mm-700mm	480mm	58.501	377.00	452.40
760mm door	714mm-760mm	520mm	58.502	389.00	466.80
800mm door	754mm-800mm	580mm	58.503	401.00	481.20
900mm door	854mm-900mm	650mm	58.504	415.00	498.00
1000mm door	954mm-1000mm	720mm	58.505	437.00	524.40

*N.B. Volente in-line panel sold separately, sizes restricted to tray sizes available.
Adjustment varies when fitted with a side panel.

EXTRAS**Volente Side Panel**

Size	Adjustment	Code	£ Ex VAT	£ Inc VAT
700mm Side panel	672mm-690mm	58.405	213.00	255.60
760mm Side panel	732mm-750mm	58.406	219.00	262.80
800mm Side panel	772mm-790mm	58.407	229.00	274.80
900mm Side panel	872mm-890mm	58.408	246.00	295.20
1000mm Side panel	972mm-990mm	58.409	268.00	321.60

Volente in-Line Panel

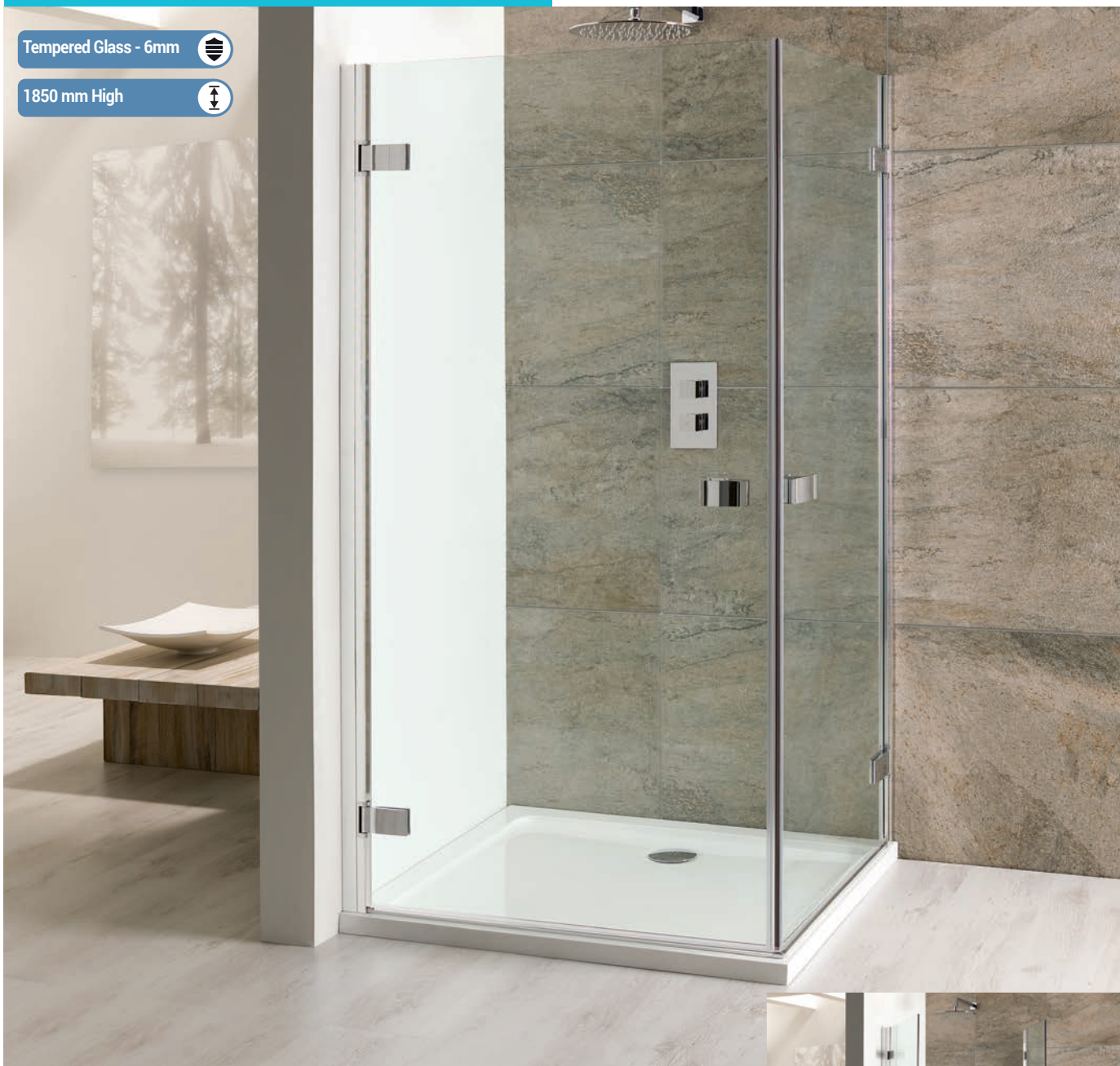
Size	Adjustment	Code	£ Ex VAT	£ Inc VAT
300mm in-line panel	300mm-325mm	58.010	225.00	270.00
300mm in-line panel with shelves	300mm-325mm	58.011	253.00	303.60
Volente in-line panel support bar	-	58.013	41.00	49.20

Volente

VOLENTE DOUBLE HINGE DOOR

Tempered Glass - 6mm 

1850 mm High 



DOORS

Volente Double Hinge Door

Size	Adjustment	Door Opening	Code	£ Ex VAT	£ Inc VAT
800 x 800mm door	772-795mm	660 x 660mm	58.801	786.00	943.20
900 x 760mm door	872-895 x 732-755mm	760 x 620mm	58.809	798.00	957.60
900 x 800mm door	872-895 x 772-795mm	760 x 660mm	58.804	816.00	979.20
900 x 900mm door	872-895 x 872-895mm	760 x 760mm	58.802	816.00	979.20
1000 x 760mm door	972-995 x 732-755mm	860 x 620mm	58.810	816.00	979.20
1000 x 800mm door	972-995 x 772-795mm	860 x 660mm	58.807	816.00	979.20
1000 x 900mm door	972-995 x 872-895mm	860 x 760mm	58.808	825.00	990.00
1000 x 1000mm door	972-995 x 972-995mm	860 x 860mm	58.803	844.00	1012.80
1200 x 800mm door	1172-1195 x 772-795mm	1060 x 660mm	58.805	844.00	1012.80
1200 x 900mm door	1172-1195 x 872-895mm	1060 x 760mm	58.806	854.00	1024.80

EXTRAS

Volente Extension Profile*

Description	Code	£ Ex VAT	£ Inc VAT
31mm Extension profile	58.012	61.00	73.20

*Adds 31mm to overall size of door to give greater adjustment, can only be used with door, not on side panel.



Luxurious, easy to clean, contemporary framed enclosure in 6mm tempered safety glass, height 1850mm.

FEATURES

- 10 Year manufacturer's guarantee*
 - Easy clean glass
 - Concealed fittings
 - Trays available to match
 - 6mm Tempered safety glass
 - Polished Chrome
- *With conditions

VULCAN QUAD

Tempered Glass - 5mm



1850 mm High



An affordable, classic design enclosure with 5mm tempered safety glass, 1850mm height and quick release rollers.

FEATURES

- 10 Year manufacturer's guarantee*
 - 5mm Tempered safety glass
 - Polished Chrome
- *With conditions

DOORS

Vulcan Quad


Size	Adjustment	Door Opening	Code	£ Ex VAT	£ Inc VAT
800 Quad	780 x 800mm	410mm	69.0001	362.00	434.40
900 Quad	880 x 900mm	510mm	69.0002	381.00	457.20



Runners release for ease of cleaning

Vulcan

VULCAN HINGE DOOR

Tempered Glass - 5mm 

1850 mm High 



DOORS

Vulcan Hinge Door

Size	Adjustment	Door Opening	Code	£ Ex VAT	£ Inc VAT
700mm door	680mm - 700mm	535mm	69.0003	272.00	326.40
760mm door	740mm - 760mm	595mm	69.0004	280.00	336.00
800mm door	780mm - 800mm	635mm	69.0005	285.00	342.00
900mm door	880mm - 900mm	735mm	69.0006	305.00	366.00
1000mm door	980mm - 1000mm	835mm	69.0007	314.00	376.80

Adjustment varies when fitted with a side panel.

EXTRAS

Vulcan Side Panel

Size	Adjustment	Code	£ Ex VAT	£ Inc VAT
700mm side panel	660mm - 700mm	69.0008	162.00	194.40
760mm side panel	720mm - 760mm	69.0010	167.00	200.40
800mm side panel	760mm - 800mm	69.0011	171.00	205.20
900mm side panel	860mm - 900mm	69.0012	183.00	219.60
1000mm side panel	960mm - 1000mm	69.0013	193.00	231.60



An affordable, classic design enclosure with 5mm tempered safety glass, 1850mm height.

FEATURES

- 10 Year manufacturer's guarantee*
- 5mm Tempered safety glass
- Polished Chrome

*With conditions

VULCAN SLIDER DOOR



Runners release for ease of cleaning

An affordable, classic design enclosure with 5mm tempered safety glass, 1850mm height and quick release rollers.

FEATURES

- 10 Year manufacturer's guarantee*
- 5mm Tempered safety glass
- Polished Chrome

*With conditions

DOORS**Vulcan Slider Door**

Size	Adjustment	Door Opening	Code	£ Ex VAT	£ Inc VAT
1000mm door	980mm - 1000mm	390mm	69.0014	311.00	373.20
1100mm door	1080mm - 1100mm	440mm	69.0015	329.00	394.80
1200mm door	1180mm - 1200mm	490mm	69.0016	336.00	403.20
1300mm door	1280mm - 1300mm	540mm	69.0017	347.00	416.40
1400mm door	1380mm - 1400mm	590mm	69.0018	373.00	447.60
1500mm door	1480mm - 1500mm	640mm	69.0019	382.00	458.40
1600mm door	1580mm - 1600mm	690mm	69.0020	388.00	465.60
1700mm door	1680mm - 1700mm	690mm	69.0021	411.00	493.20

Adjustment varies when fitted with a side panel.

EXTRAS**Vulcan Side Panel**

Size	Adjustment	Code	£ Ex VAT	£ Inc VAT
700mm side panel	660mm - 700mm	69.0008	162.00	194.40
760mm side panel	720mm - 760mm	69.0010	167.00	200.40
800mm side panel	760mm - 800mm	69.0011	171.00	205.20
900mm side panel	860mm - 900mm	69.0012	183.00	219.60
1000mm side panel	960mm - 1000mm	69.0013	193.00	231.60

Vulcan

VULCAN BI-FOLD DOOR

Tempered Glass - 5mm



1850 mm High



DOORS

Vulcan Bi-Fold Door

Size	Adjustment	Door Opening	Code	£ Ex VAT	£ Inc VAT
700mm door	680mm - 700mm	430mm	69.0055	272.00	326.40
760mm door	740mm - 760mm	480mm	69.0056	280.00	336.00
800mm door	780mm - 800mm	515mm	69.0057	285.00	342.00
900mm door	880mm - 900mm	590mm	69.0058	299.00	358.80

Adjustment varies when fitted with a side panel.

EXTRAS

Vulcan Side Panel

Size	Adjustment	Code	£ Ex VAT	£ Inc VAT
700mm side panel	660mm - 700mm	69.0008	162.00	194.40
760mm side panel	720mm - 760mm	69.0010	167.00	200.40
800mm side panel	760mm - 800mm	69.0011	171.00	205.20
900mm side panel	860mm - 900mm	69.0012	183.00	219.60
1000mm side panel	960mm - 1000mm	69.0013	193.00	231.60

An affordable, classic design enclosure with 5mm tempered safety glass, 1850mm height and quick release rollers.

FEATURES

- 10 Year manufacturer's guarantee*
- 5mm Tempered safety glass
- Polished Chrome

*With conditions

VANTAGE PIVOT DOOR



DOORS

Vantage Pivot Door

Size	Adjustment	Door Opening	Code	£ Ex VAT	£ Inc VAT
700mm door	670mm-695mm	475mm	69.0082	355.00	426.00
760mm door	730mm-755mm	535mm	69.0083	367.00	440.40
800mm door	770mm-795mm	575mm	69.0084	369.00	442.80
900mm door	870mm-895mm	675mm	69.0085	387.00	464.40
1000mm door	970mm-995mm	775mm	69.0086	470.00	564.00

Adjustment varies when fitted with a side panel.

EXTRAS

Vantage Side Panel

Size	Adjustment	Code	£ Ex VAT	£ Inc VAT
700mm Side panel	685mm-700mm	69.0092	304.00	364.80
760mm Side panel	745mm-760mm	69.0093	311.00	373.20
800mm Side panel	785mm-800mm	69.0094	318.00	381.60
900mm Side panel	885mm-900mm	69.0095	326.00	391.20
1000mm Side panel	985mm-1000mm	69.0100	332.00	398.40

Side Panel with Towel Rail

Size	Adjustment	Code	£ Ex VAT	£ Inc VAT
700mm Side panel with rail	685mm-700mm	69.0096	369.00	442.80
760mm Side panel with rail	745mm-760mm	69.0097	370.00	444.00
800mm Side panel with rail	785mm-800mm	69.0098	372.00	446.40
900mm Side panel with rail	885mm-900mm	69.0099	380.00	456.00

Vantage pivot door, 6mm tempered safety glass, 1850mm high

FEATURES

- 10 Year manufacturer's guarantee*
 - Easy clean glass
 - Trays available to match
 - Suitable for power shower
 - 6mm Tempered safety glass
 - Polished Chrome
- *With conditions

Vantage

VANTAGE QUADRANT - WHITE



Tempered Glass - 6mm 

1850 mm High 

Vantage quadrant, 6mm tempered safety glass, 1850mm high

FEATURES

- 10 Year manufacturer's guarantee*
 - Easy clean glass
 - Suitable for power showers
 - Trays available to match
 - 6mm Tempered safety glass
 - White finish - also available in Chrome
- *With conditions



Runners release for ease of cleaning

DOORS

Vantage Quadrant - White

Size	Adjustment	Door Opening	Colour	Code	£ Ex VAT	£ Inc VAT
800mm	770mm-800mm	420mm	White	69.0022	455.00	546.00
900mm	870mm-900mm	520mm	White	69.0023	455.00	546.00

VANTAGE QUADRANT - CHROME



Tempered Glass - 6mm



1850 mm High



Vantage quadrant, 6mm tempered glass, 1850mm high

FEATURES

- 10 Year manufacturer's guarantee*
 - Easy clean glass
 - Suitable for power showers
 - Trays available to match
 - 6mm Tempered safety glass
 - Polished Chrome - also available in white
- *With conditions



Runners release for ease of cleaning

DOORS**Vantage Quadrant - Chrome**

Size	Adjustment	Door Opening	Colour	Code	£ Ex VAT	£ Inc VAT
800mm	770mm-800mm	420mm	Chrome	69.0024	475.00	570.00
900mm	870mm-900mm	520mm	Chrome	69.0025	475.00	570.00

Vantage

VANTAGE SLIDING DOOR



Runners release for ease of cleaning

Vantage sliding door, 6mm tempered glass, 1850mm high.

FEATURES

- 10 Year manufacturer's guarantee*
 - Easy clean glass
 - Suitable for power showers
 - Trays available to match
 - 6mm Tempered safety glass
 - Polished Chrome
- *With conditions

DOORS

Vantage Sliding Door					
Size	Adjustment	Door Opening	Code	£ Ex VAT	£ Inc VAT
1000mm door	970mm-1000mm	410mm	69.0069	470.00	564.00
1100mm door	1070mm-1100mm	460mm	69.0070	477.00	572.40
1200mm door	1170mm-1200mm	510mm	69.0071	491.00	589.20
1400mm door	1370mm-1400mm	610mm	69.0072	515.00	618.00
1600mm door	1570mm-1600mm	710mm	69.0073	542.00	650.40
1650mm door	1620mm-1650mm	735mm	69.260	549.00	658.80
1700mm door	1670mm-1700mm	760mm	69.0074	554.00	664.80

Adjustment varies when fitted with a side panel

EXTRAS

Vantage Side Panel					
Size	Adjustment	Code	£ Ex VAT	£ Inc VAT	
700mm Side panel	685mm-700mm	69.0092	304.00	364.80	
760mm Side panel	745mm-760mm	69.0093	311.00	373.20	
800mm Side panel	785mm-800mm	69.0094	318.00	381.60	
900mm Side panel	885mm-900mm	69.0095	326.00	391.20	
1000mm Side panel	985mm-1000mm	69.0100	332.00	398.40	

Side Panel with Towel Rail					
Size	Adjustment	Code	£ Ex VAT	£ Inc VAT	
700mm Side panel with rail	685mm-700mm	69.0096	369.00	442.80	
760mm Side panel with rail	745mm-760mm	69.0097	370.00	444.00	
800mm Side panel with rail	785mm-800mm	69.0098	372.00	446.40	
900mm Side panel with rail	885mm-900mm	69.0099	380.00	456.00	

VANTAGE CORNER ENTRY & OFFSET CORNER ENTRY



Vantage offset corner entry 6mm tempered glass, 1850mm high.

FEATURES

- 10 Year manufacturer's guarantee*
 - Easy clean glass
 - Suitable for power showers
 - Trays available to match
 - 6mm Tempered safety glass
 - Polished Chrome
- *With conditions



Runners release for ease of cleaning



DOORS

Vantage Corner Entry & Offset Corner Entry

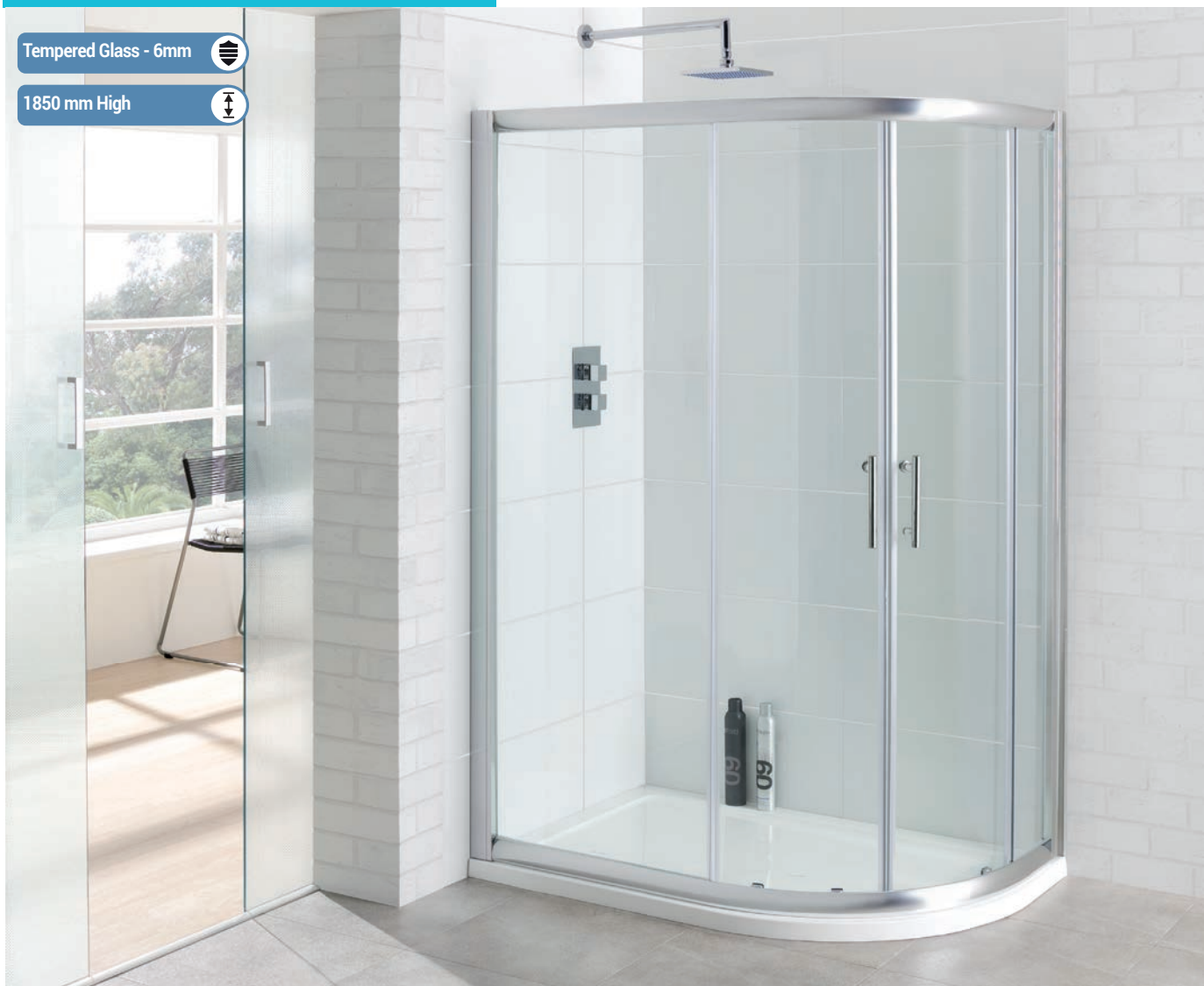
Size	Adjustment	Door Opening	Code	£ Ex VAT	£ Inc VAT
800 x 800mm	770-800 x 770-800	435mm	69.0127	569.00	682.80
900 x 700mm	870-900 x 670-700	450mm	69.0165	557.00	668.40
900 x 760mm	870-900 x 730-760	470mm	69.0123	618.00	741.60
900 x 800mm	870-900 x 770-800	480mm	69.0124	618.00	741.60
900 x 900mm	870-900 x 870-900	510mm	69.0128	583.00	699.60
1000 x 760mm	970-1000 x 730-760	495mm	69.0125	620.00	744.00
1000 x 800mm	970-1000 x 770-800	505mm	69.0126	627.00	752.40

Vantage

VANTAGE OFFSET QUADRANT

Tempered Glass - 6mm 

1850 mm High 



DOORS

Vantage Offset Quadrant

Size	Adjustment	Door Opening	Code	£ Ex VAT	£ Inc VAT
900 x 760mm	870-900mm x 730-760mm	450mm	69.0032	627.00	752.40
900 x 800mm	870-900mm x 770-800mm	470mm	69.0027	543.00	651.60
1000 x 760mm	970-1000mm x 730-760mm	450mm	69.0033	664.00	796.80
1000 x 800mm	970-1000mm x 770-800mm	470mm	69.0030	586.00	703.20
1000 x 900mm	970-1000mm x 870-900mm	520mm	69.0031	607.00	728.40
1100 x 760mm	1070-1100mm x 730-760mm	450mm	69.0159	654.00	784.80
1100 x 800mm	1070-1100mm x 770-800mm	470mm	69.0160	669.00	802.80
1100 x 900mm	1070-1100mm x 870-900mm	520mm	69.0161	676.00	811.20
1200 x 760mm	1170-1200mm x 730-760mm	450mm	69.0163	682.00	818.40
1200 x 800mm	1170-1200mm x 770-800mm	470mm	69.0028	610.00	732.00
1200 x 900mm	1170-1200mm x 870-900mm	520mm	69.0029	624.00	748.80
1300 x 760mm	1270-1300mm x 730-760mm	450mm	69.162	626.00	751.20
1300 x 800mm	1270-1300mm x 770-800mm	470mm	69.161	662.00	794.40
1400 x 760mm	1370-1400mm x 730-760mm	450mm	69.164	676.00	811.20
1400 x 800mm	1370-1400mm x 770-800mm	470mm	69.163	711.00	853.20

Offset Quadrant reversible left hand or right hand.

This product requires trays with 550mm radius curve. See pages 441 & 449.

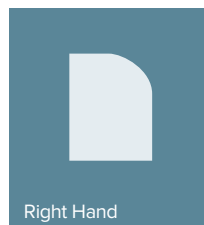


Runners release for ease of cleaning

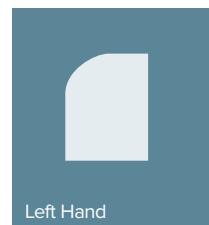
Vantage offset quadrant, 6mm tempered glass, 1850mm high.

FEATURES

- 10 Year manufacturer's guarantee*
 - Easy clean glass
 - Suitable for power showers
 - Trays available to match
 - 6mm Tempered safety glass
 - Polished Chrome
- *With conditions

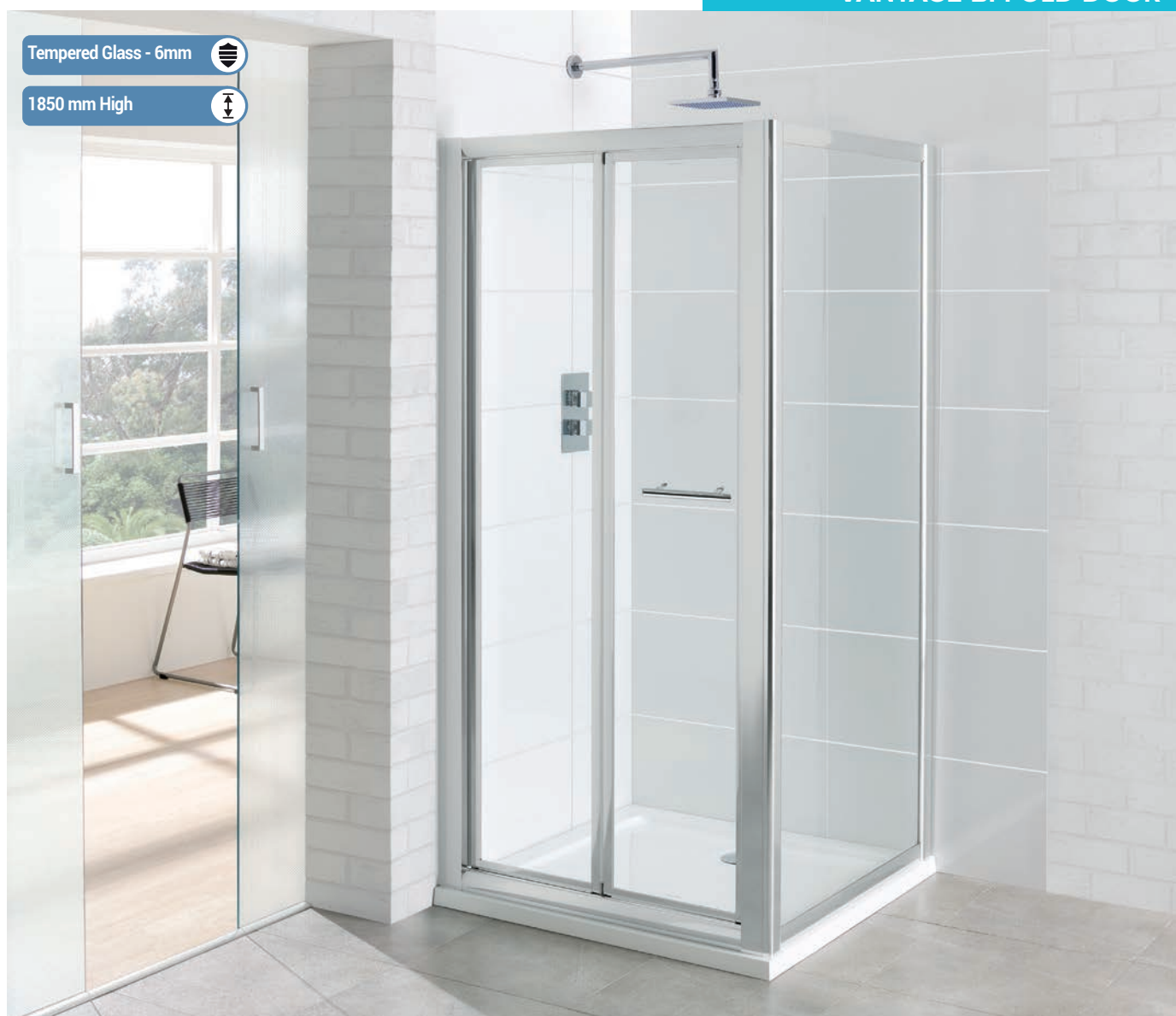


Right Hand



Left Hand

VANTAGE BI-FOLD DOOR



DOORS

Vantage Bi-Fold Door

Size	Adjustment	Door Opening	Code	£ Ex VAT	£ Inc VAT
700mm door	670mm-700mm	395mm	69.0111	523.00	627.60
760mm door	730mm-760mm	455mm	69.0112	525.00	630.00
800mm door	770mm-800mm	495mm	69.0113	531.00	637.20
900mm door	870mm-900mm	595mm	69.0114	537.00	644.40
1000mm door	970mm-1000mm	695mm	69.0115	698.00	837.60

Adjustment varies when fitted with a side panel

EXTRAS

Vantage Side Panel

Size	Adjustment	Code	£ Ex VAT	£ Inc VAT
700mm Side panel	685mm-700mm	69.0092	304.00	364.80
760mm Side panel	745mm-760mm	69.0093	311.00	373.20
800mm Side panel	785mm-800mm	69.0094	318.00	381.60
900mm Side panel	885mm-900mm	69.0095	326.00	391.20
1000mm Side panel	985mm-1000mm	69.0100	332.00	398.40

Side Panel with Towel Rail

Size	Adjustment	Code	£ Ex VAT	£ Inc VAT
700mm Side panel with rail	685mm-700mm	69.0096	369.00	442.80
760mm Side panel with rail	745mm-760mm	69.0097	370.00	444.00
800mm Side panel with rail	785mm-800mm	69.0098	372.00	446.40
900mm Side panel with rail	885mm-900mm	69.0099	380.00	456.00



Vantage bi-fold door, 6mm tempered glass, 1850mm high.

FEATURES

- 10 Year manufacturer's guarantee*
- Easy clean glass
- Suitable for power showers
- Trays available to match
- 6mm Tempered safety glass
- Polished Chrome

*With conditions

Vantage 2000

VANTAGE 2000 PIVOT DOOR - MATT BLACK



Tempered Glass - 6mm 

2000mm High 

Anodized Aluminium 



DOORS

Vantage 2000 Pivot Door - Matt Black

Size	Adjustment	Door Opening	Code	£ Ex VAT	£ Inc VAT
700mm door	640mm-680mm	480mm	49.0018	388.00	465.60
760mm door	700mm-740mm	540mm	49.0020	402.00	482.40
800mm door	740mm-780mm	580mm	49.0022	410.00	492.00
900mm door	840mm-880mm	680mm	49.0024	433.00	519.60
1000mm door	940mm-980mm	720mm	49.0026	456.00	547.20

Adjustment varies when fitted with a side panel.

EXTRAS

Vantage 2000 Side Panel - Matt Black

Size	Adjustment	Code	£ Ex VAT	£ Inc VAT
700mm side panel	660mm-680mm	49.0028	238.00	285.60
760mm side panel	720mm-740mm	49.0030	251.00	301.20
800mm side panel	760mm-780mm	49.0032	260.00	312.00
900mm side panel	860mm-880mm	49.0034	281.00	337.20
1000mm side panel	960mm-980mm	49.0036	302.00	362.40

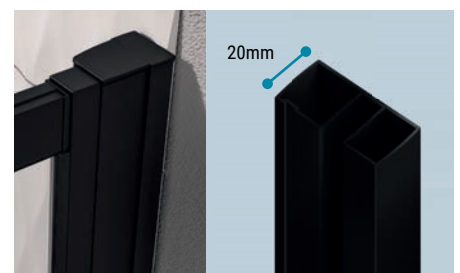
Vantage 2000 Side Panel with Towel Rail - Matt Black

Size	Adjustment	Code	£ Ex VAT	£ Inc VAT
700mm side panel with rail	660mm-680mm	49.0038	255.00	306.00
760mm side panel with rail	720mm-740mm	49.0040	267.00	320.40
800mm side panel with rail	760mm-780mm	49.0042	275.00	330.00
900mm side panel with rail	860mm-880mm	49.0044	295.00	354.00

Vantage 2000 pivot door, 6mm tempered safety glass, 2000mm high

FEATURES

- 10 Year manufacturer's guarantee*
 - Easy clean glass
 - Trays available to match
 - Suitable for power shower
 - 6mm Tempered safety glass
 - Anodized Matt Black finish
 - Fully concealed fixings
- *With conditions



EXTRAS

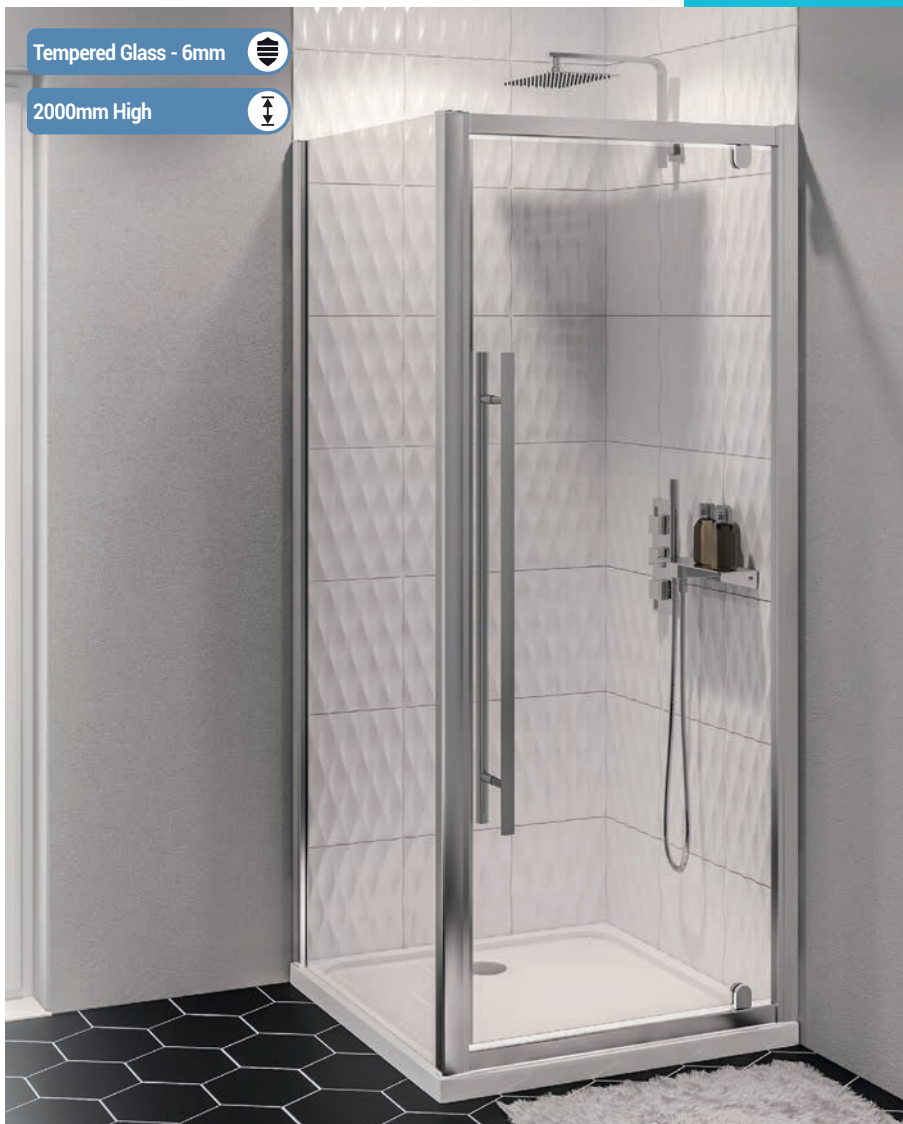
Extension Profile - Matt Black

Size	Code	£ Ex VAT	£ Inc VAT
Vantage 2000 6mm	49.1095	29.00	34.80
Extension Profile Matt Black			

Works with both sides of the door to wall, or side panel to wall.

Vantage 2000

VANTAGE 2000 PIVOT DOOR - CHROME



Tempered Glass - 6mm



2000mm High



DOORS

Vantage 2000 Pivot Door - Chrome

Size	Adjustment	Door Opening	Code	£ Ex VAT	£ Inc VAT
700mm door	640mm-680mm	480mm	49.0019	341.00	409.20
760mm door	700mm-740mm	540mm	49.0021	355.00	426.00
800mm door	740mm-780mm	580mm	49.0023	362.00	434.40
900mm door	840mm-880mm	680mm	49.0025	383.00	459.60
1000mm door	940mm-980mm	720mm	49.0027	404.00	484.80

Adjustment varies when fitted with a side panel.

EXTRAS

Vantage 2000 Side Panel - Chrome

Size	Adjustment	Code	£ Ex VAT	£ Inc VAT
700mm side panel	660mm-680mm	49.0029	198.00	237.60
760mm side panel	720mm-740mm	49.0031	212.00	254.40
800mm side panel	760mm-780mm	49.0033	218.00	261.60
900mm side panel	860mm-880mm	49.0035	239.00	286.80
1000mm side panel	960mm-980mm	49.0037	260.00	312.00

Vantage 2000 Side Panel with Towel Rail - Chrome

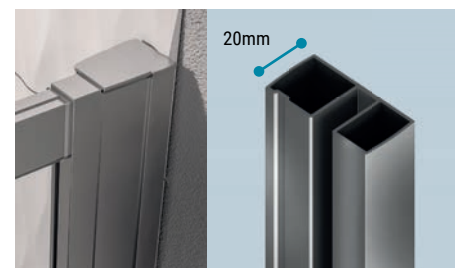
Size	Adjustment	Code	£ Ex VAT	£ Inc VAT
700mm side panel with rail	660mm-680mm	49.0039	233.00	279.60
760mm side panel with rail	720mm-740mm	49.0041	245.00	294.00
800mm side panel with rail	760mm-780mm	49.0043	252.00	302.40
900mm side panel with rail	860mm-880mm	49.0045	273.00	327.60

Vantage 2000 pivot door, 6mm tempered safety glass, 2000mm high

FEATURES

- 10 Year manufacturer's guarantee*
- Easy clean glass
- Trays available to match
- Suitable for power shower
- 6mm Tempered safety glass
- Chrome coloured
- Fully concealed fixings

*With conditions



EXTRAS

Extension Profile - Chrome

Size	Code	£ Ex VAT	£ Inc VAT
Vantage 2000 6mm	49.1096	22.00	26.40
Extension Profile Chrome			

Works with both sides of the door to wall, or side panel to wall.

Vantage 2000

VANTAGE 2000 PIVOT DOOR - BRUSHED BRASS

Tempered Glass - 6mm 

2000mm High 

NEW



Available
February
2023

Brushed Brass colour shown in images are subject to the limitations of the printing process and may appear different.



DOORS

Vantage 2000 Pivot Door - Brushed Brass

Size	Adjustment	Door Opening	Code	£ Ex VAT	£ Inc VAT
700mm door	640mm-680mm	480mm	49.5008	423.00	507.60
760mm door	700mm-740mm	540mm	49.5009	435.00	522.00
800mm door	740mm-780mm	580mm	49.5011	442.00	530.40
900mm door	840mm-880mm	680mm	49.5012	461.00	553.20
1000mm door	940mm-980mm	720mm	49.5013	480.00	576.00

Adjustment varies when fitted with a side panel.

EXTRAS

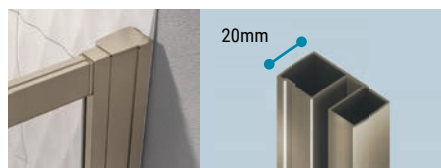
Vantage 2000 Side Panel - Brushed Brass

Size	Adjustment	Code	£ Ex VAT	£ Inc VAT
700mm side panel	660mm-680mm	49.5014	223.00	267.60
760mm side panel	720mm-740mm	49.5015	233.00	279.60
800mm side panel	760mm-780mm	49.5016	239.00	286.80
900mm side panel	860mm-880mm	49.5017	256.00	307.20
1000mm side panel	960mm-980mm	49.5018	272.00	326.40

Vantage 2000 pivot door, 6mm tempered safety glass, 2000mm high

FEATURES

- 10 Year manufacturer's guarantee*
- Easy clean glass
- Trays available to match
- Suitable for power shower
- 6mm Tempered safety glass
- Brushed Brass finish
- Fully concealed fixings *With conditions



EXTRAS

Extension Profile - Brushed Brass

Size	Code	£ Ex VAT	£ Inc VAT
Vantage 2000 6mm Extension Profile Brushed Brass	49.3001	35.00	42.00

Works with both sides of the door to wall, or side panel to wall.

Vantage 2000

VANTAGE 2000 QUADRANT - MATT BLACK



Tempered Glass - 6mm 

2000mm High 

Anodized Aluminium 

Fast Fix Assembly
New at Eastbrook



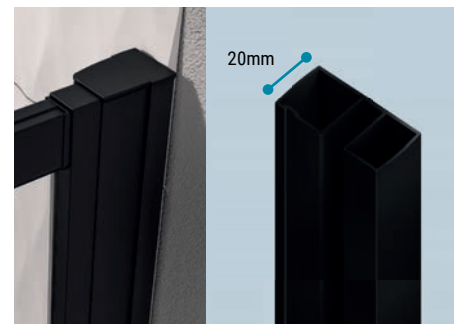
Vantage 2000 quadrant, 6mm tempered safety glass, 2000mm high

FEATURES

- 10 Year manufacturer's guarantee*
- Easy clean glass
- Suitable for power showers
- Trays available to match
- 6mm Tempered safety glass
- Anodized Matt Black finish
- Fully concealed fixings
- *With conditions



Runners release for ease of cleaning



DOORS

Vantage 2000 Quadrant - Matt Black

Size	Adjustment	Door Opening	Colour	Code	£ Ex VAT	£ Inc VAT
800mm	760-780 x 760-780	425mm	Matt Black	49.0056	535.00	642.00
900mm	860-880 x 860-880	479mm	Matt Black	49.0058	567.00	680.40
1000mm	960-980 x 960-980	479mm	Matt Black	49.0060	613.00	735.60

EXTRAS

Extension Profile - Matt Black

Size	Code	£ Ex VAT	£ Inc VAT
Vantage 2000 6mm	49.1095	29.00	34.80
Extension Profile Matt Black			

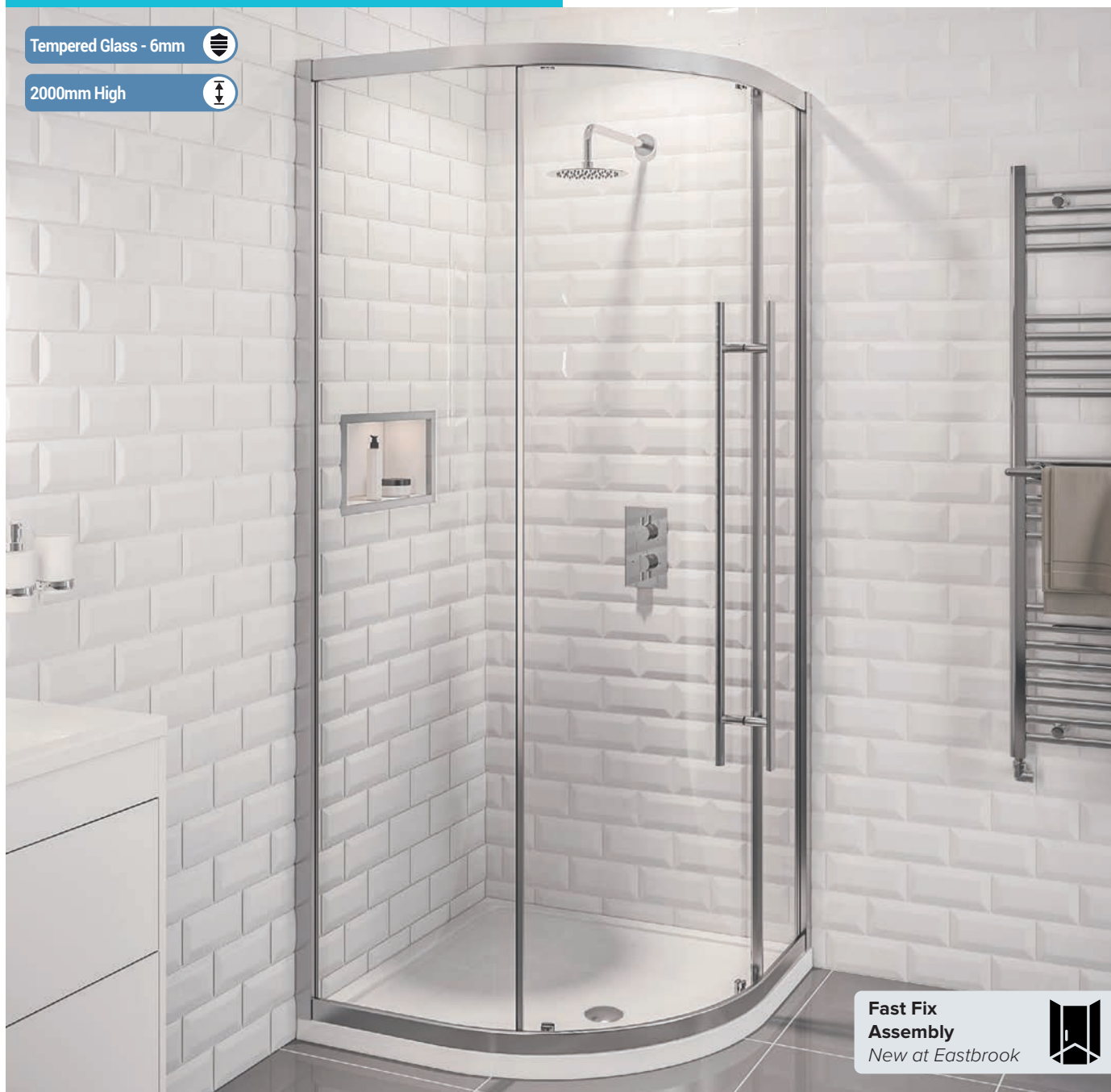
Works with both sides of the door to wall, or side panel to wall.

Vantage 2000

VANTAGE 2000 QUADRANT - CHROME

Tempered Glass - 6mm 

2000mm High 



Fast Fix Assembly
New at Eastbrook



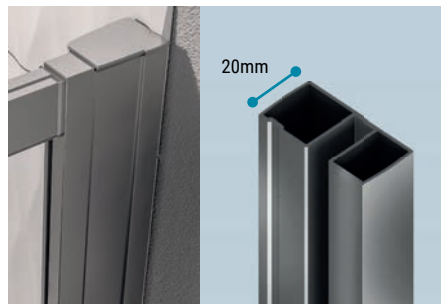
Vantage 2000 quadrant, 6mm tempered safety glass, 2000mm high

FEATURES

- 10 Year manufacturer's guarantee*
- Easy clean glass
- Suitable for power showers
- Trays available to match
- 6mm Tempered safety glass
- Chrome finish
- Fully concealed fixings
- *With conditions



Runners release for ease of cleaning



DOORS

Vantage 2000 Quadrant - Chrome

Size	Adjustment	Door Opening	Colour	Code	£ Ex VAT	£ Inc VAT
800mm	760-780 x 760-780	425mm	Chrome	49.0057	479.00	574.80
900mm	860-880 x 860-880	479mm	Chrome	49.0059	509.00	610.80
1000mm	960-980 x 960-980	479mm	Chrome	49.0061	554.00	664.80

EXTRAS

Extension Profile - Chrome

Size	Code	£ Ex VAT	£ Inc VAT
Vantage 2000 6mm	49.1096	22.00	26.40
Extension Profile Chrome			

Works with both sides of the door to wall, or side panel to wall.

Vantage 2000

VANTAGE 2000 QUADRANT - BRUSHED BRASS



Tempered Glass - 6mm



2000mm High



NEW

Available
February
2023

Brushed Brass colour shown in images are subject to the limitations of the printing process and may appear different.

Fast Fix Assembly
New at Eastbrook



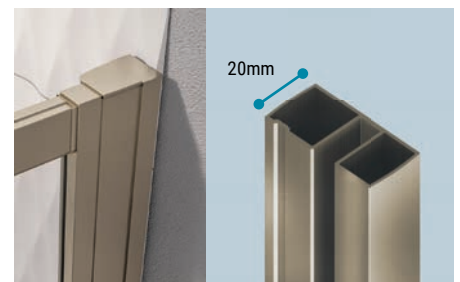
Vantage 2000 quadrant, 6mm tempered safety glass, 2000mm high

FEATURES

- 10 Year manufacturer's guarantee*
- Easy clean glass
- Suitable for power showers
- Trays available to match
- 6mm Tempered safety glass
- Brushed Brass
- Fully concealed fixings
- *With conditions



Runners release for ease of cleaning



DOORS

Vantage 2000 Quadrant - Brushed Brass

Size	Adjustment	Door Opening	Colour	Code	£ Ex VAT	£ Inc VAT
800mm	760-780 x 760-780	425mm	Brushed Brass	49.5025	605.00	726.00
900mm	860-880 x 860-880	479mm	Brushed Brass	49.5026	636.00	763.20
1000mm	960-980 x 960-980	479mm	Brushed Brass	49.5027	669.00	802.80

EXTRAS

Extension Profile - Brushed Brass

Size	Code	£ Ex VAT	£ Inc VAT
Vantage 2000 6mm Extension Profile Brushed Brass	49.3001	35.00	42.00

Works with both sides of the door to wall, or side panel to wall.

Vantage 2000

VANTAGE 2000 OFFSET QUADRANT - MATT BLACK

Tempered Glass - 6mm 

2000mm High 

Anodized Aluminium 



Square Edge Handle



Fast Fix Assembly
New at Eastbrook



DOORS

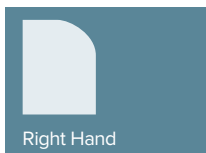
Vantage 2000 Offset Quadrant - Matt Black

Size	Adjustment	Door Opening	Code	£ Ex VAT	£ Inc VAT
900 x 760mm	860-880 x 720-740	403mm	49.0062	541.00	649.20
900 x 800mm	860-880 x 760-780	425mm	49.0064	544.00	652.80
1000 x 760mm	960-980 x 720-740	403mm	49.0066	549.00	658.80
1000 x 800mm	960-980 x 760-780	425mm	49.0068	553.00	663.60
1000 X 900mm	960-980 x 860-880	479mm	49.0070	593.00	711.60
1100 x 760mm	1060-1080 x 720-740	403mm	49.0072	624.00	748.80
1100 x 800mm	1060-1080 x 760-780	425mm	49.0074	627.00	752.40
1100 x 900mm	1060-1080 x 860-880	479mm	49.0076	671.00	805.20
1200 x 760mm	1160-1180 x 720-740	403mm	49.0078	666.00	799.20
1200 x 800mm	1160-1180 x 760-780	425mm	49.0080	636.00	763.20
1200 x 900mm	1160-1180 x 860-880	479mm	49.0082	697.00	836.40
1300 x 760mm	1260-1280 x 720-740	403mm	49.0084	708.00	849.60
1300 x 800mm	1260-1280 x 760-780	425mm	49.0086	725.00	870.00
1400 x 760mm	1360-1380 x 720-740	403mm	49.0088	750.00	900.00
1400 x 800mm	1360-1380 x 760-780	425mm	49.0090	769.00	922.80

Offset Quadrant reversible left hand or right hand.
This product requires trays with 550mm radius curve.



Runners release for ease of cleaning



Right Hand

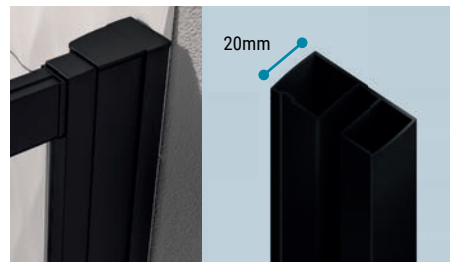


Left Hand

Vantage 2000 offset quadrant, 6mm tempered glass, 2000mm high.

FEATURES

- 10 Year manufacturer's guarantee* W/Conditions
- Easy clean glass
- Suitable for power showers
- Trays available to match
- 6mm Tempered safety glass
- Anodized Matt Black finish
- Fully concealed fixings



EXTRAS

Extension Profile - Matt Black

Size	Code	£ Ex VAT	£ Inc VAT
Vantage 2000 6mm	49.1095	29.00	34.80

Extension Profile Matt Black

Works with both sides of the door to wall, or side panel to wall.

Vantage 2000

VANTAGE 2000 OFFSET QUADRANT - CHROME

Tempered Glass - 6mm 

2000mm High 



Square Edge Handle

Fast Fix Assembly
New at Eastbrook



DOORS

Vantage 2000 Offset Quadrant - Chrome

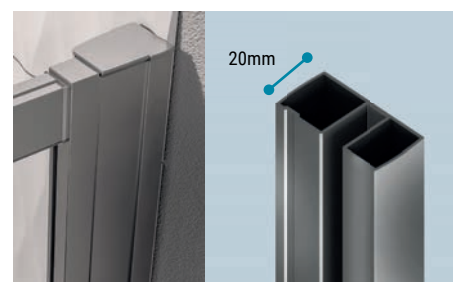
Size	Adjustment	Door Opening	Code	£ Ex VAT	£ Inc VAT
900 x 760mm	860-880 x 720-740	403mm	49.0063	484.00	580.80
900 x 800mm	860-880 x 760-780	425mm	49.0065	487.00	584.40
1000 x 760mm	960-980 x 720-740	403mm	49.0067	491.00	589.20
1000 x 800mm	960-980 x 760-780	425mm	49.0069	494.00	592.80
1000 X 900mm	960-980 x 860-880	479mm	49.0071	519.00	622.80
1100 x 760mm	1060-1080 x 720-740	403mm	49.0073	567.00	680.40
1100 x 800mm	1060-1080 x 760-780	425mm	49.0075	568.00	681.60
1100 x 900mm	1060-1080 x 860-880	479mm	49.0077	596.00	715.20
1200 x 760mm	1160-1180 x 720-740	403mm	49.0079	609.00	730.80
1200 x 800mm	1160-1180 x 760-780	425mm	49.0081	576.00	691.20
1200 x 900mm	1160-1180 x 860-880	479mm	49.0083	621.00	745.20
1300 x 760mm	1260-1280 x 720-740	403mm	49.0085	649.00	778.80
1300 x 800mm	1260-1280 x 760-780	425mm	49.0087	665.00	798.00
1400 x 760mm	1360-1380 x 720-740	403mm	49.0089	689.00	826.80
1400 x 800mm	1360-1380 x 760-780	425mm	49.0091	708.00	849.60

Offset Quadrant reversible left hand or right hand.
This product requires trays with 550mm radius curve.

Vantage 2000 offset quadrant, 6mm tempered glass, 2000mm high.

FEATURES

- 10 Year manufacturer's guarantee* W/Conditions
- Easy clean glass
- Suitable for power showers
- Trays available to match
- Chrome finish
- 6mm Tempered safety glass
- Fully concealed fixings



EXTRAS

Extension Profile - Chrome

Size	Code	£ Ex VAT	£ Inc VAT
Vantage 2000 6mm	49.1096	22.00	26.40

Extension Profile Chrome

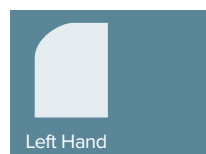
Works with both sides of the door to wall, or side panel to wall.



Runners release for ease of cleaning



Right Hand



Left Hand

Vantage 2000

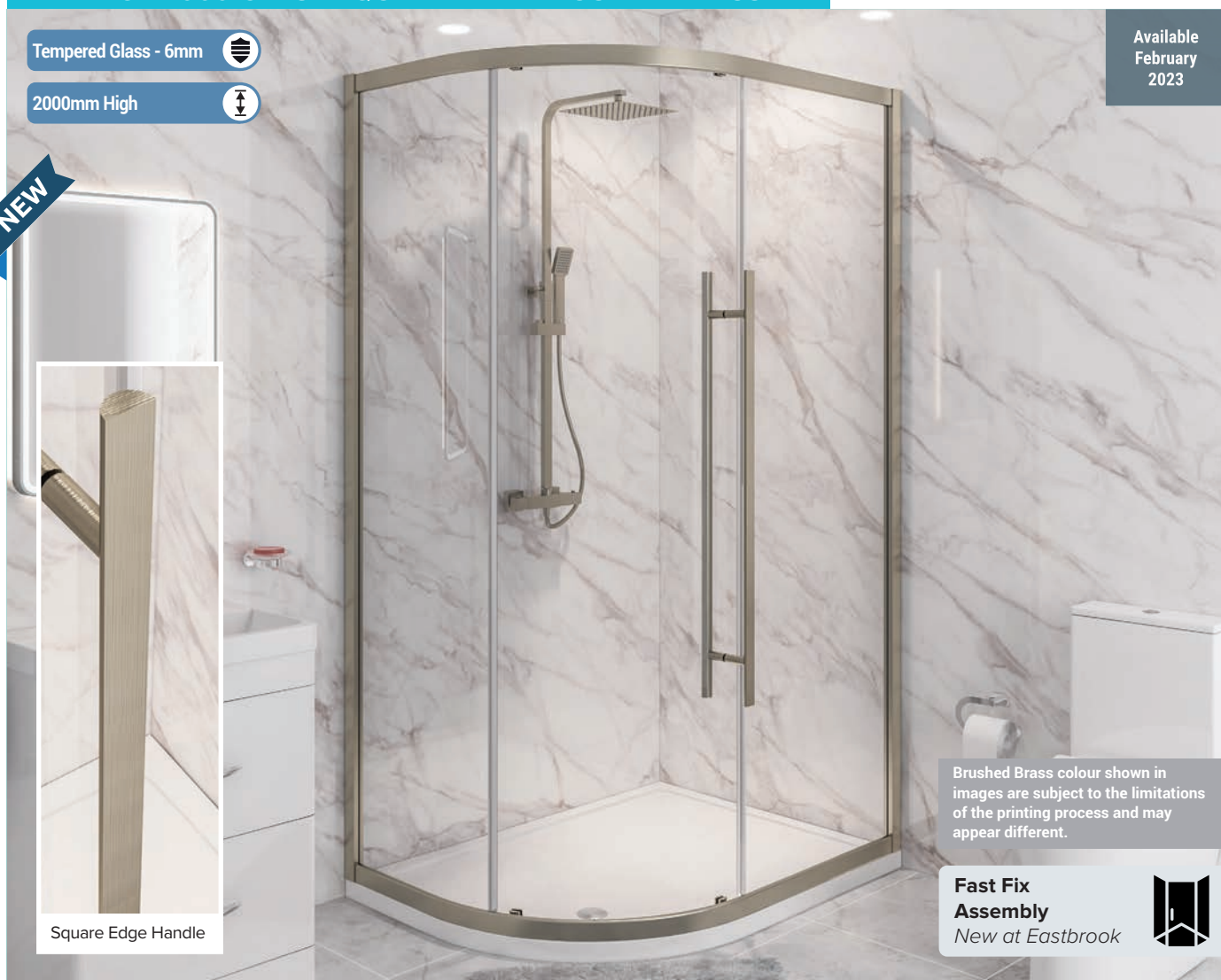
VANTAGE 2000 OFFSET QUADRANT - BRUSHED BRASS

Tempered Glass - 6mm 

2000mm High 

Available
February
2023

NEW



Brushed Brass colour shown in images are subject to the limitations of the printing process and may appear different.

Fast Fix Assembly
New at Eastbrook



Square Edge Handle

DOORS

Vantage 2000 Offset Quadrant - Brushed Brass

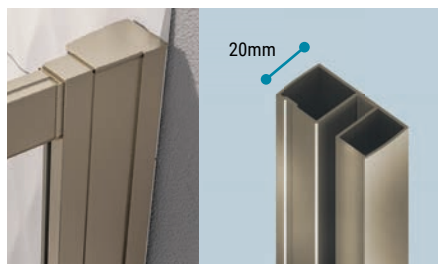
Size	Adjustment	Door Opening	Code	£ Ex VAT	£ Inc VAT
900 x 760mm	860-880 x 720-740	403mm	49.5028	609.00	730.80
900 x 800mm	860-880 x 760-780	425mm	49.5029	616.00	739.20
1000 x 760mm	960-980 x 720-740	403mm	49.5031	620.00	744.00
1000 x 800mm	960-980 x 760-780	425mm	49.5032	627.00	752.40
1000 X 900mm	960-980 x 860-880	479mm	49.5033	669.00	802.80
1100 x 760mm	1060-1080 x 720-740	403mm	49.5034	635.00	762.00
1100 x 800mm	1060-1080 x 760-780	425mm	49.5035	639.00	766.80
1100 x 900mm	1060-1080 x 860-880	479mm	49.5036	680.00	816.00
1200 x 760mm	1160-1180 x 720-740	403mm	49.5037	661.00	793.20
1200 x 800mm	1160-1180 x 760-780	425mm	49.5038	660.00	792.00
1200 x 900mm	1160-1180 x 860-880	479mm	49.5039	699.00	838.80
1300 x 760mm	1260-1280 x 720-740	403mm	49.5041	687.00	824.40
1300 x 800mm	1260-1280 x 760-780	425mm	49.5042	692.00	830.40
1400 x 760mm	1360-1380 x 720-740	403mm	49.5043	714.00	856.80
1400 x 800mm	1360-1380 x 760-780	425mm	49.5044	711.00	853.20

Offset Quadrant reversible left hand or right hand.
This product requires trays with 550mm radius curve.

Vantage 2000 offset quadrant, 6mm tempered glass, 2000mm high.

FEATURES

- 10 Year manufacturer's guarantee* W/Conditions
- Easy clean glass
- Suitable for power showers
- Trays available to match
- 6mm Tempered safety glass
- Brushed Brass finish
- Fully concealed fixings



EXTRAS

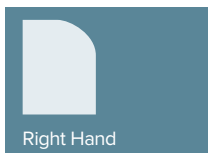
Extension Profile - Brushed Brass

Size	Code	£ Ex VAT	£ Inc VAT
Vantage 2000 6mm Extension Profile Brushed Brass	49.3001	35.00	42.00

Works with both sides of the door to wall, or side panel to wall.



Runners release for ease of cleaning



Right Hand



Left Hand

Vantage 2000

VANTAGE 2000 SLIDING DOOR - MATT BLACK



DOORS

Vantage 2000 Sliding Door - Matt Black

Size	Adjustment	Door Opening	Code	£ Ex VAT	£ Inc VAT
1000mm door	940mm-980mm	365mm	49.0004	423.00	507.60
1100mm door	1040mm-1080mm	415mm	49.0006	442.00	530.40
1200mm door	1140mm-1180mm	465mm	49.0008	459.00	550.80
1400mm door	1340mm-1380mm	565mm	49.0010	489.00	586.80
1600mm door	1540mm-1580mm	665mm	49.0012	525.00	630.00
1650mm door	1590mm-1630mm	690mm	49.0014	531.00	637.20
1700mm door	1640mm-1680mm	715mm	49.0016	536.00	643.20

Adjustment varies when fitted with a side panel.

EXTRAS

Vantage 2000 Side Panel - Matt Black

Size	Adjustment	Code	£ Ex VAT	£ Inc VAT
700mm Side panel	660mm-680mm	49.0028	238.00	285.60
760mm Side panel	720mm-740mm	49.0030	251.00	301.20
800mm Side panel	760mm-780mm	49.0032	260.00	312.00
900mm Side panel	860mm-880mm	49.0034	281.00	337.20
1000mm Side panel	960mm-980mm	49.0036	302.00	362.40

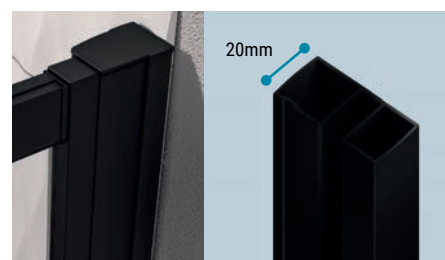
Vantage 2000 Side Panel with Towel Rail - Matt Black

Size	Adjustment	Code	£ Ex VAT	£ Inc VAT
700mm Side panel with rail	660mm-680mm	49.0038	255.00	306.00
760mm Side panel with rail	720mm-740mm	49.0040	267.00	320.40
800mm Side panel with rail	760mm-780mm	49.0042	275.00	330.00
900mm Side panel with rail	860mm-880mm	49.0044	295.00	354.00

Vantage 2000 quadrant, 6mm tempered safety glass, 2000mm high

FEATURES

- 10 Year manufacturer's guarantee* W/Conditions
- Easy clean glass
- Suitable for power showers
- Trays available to match
- 6mm Tempered safety glass
- Anodized Matt Black finish
- Fully concealed fixings



EXTRAS

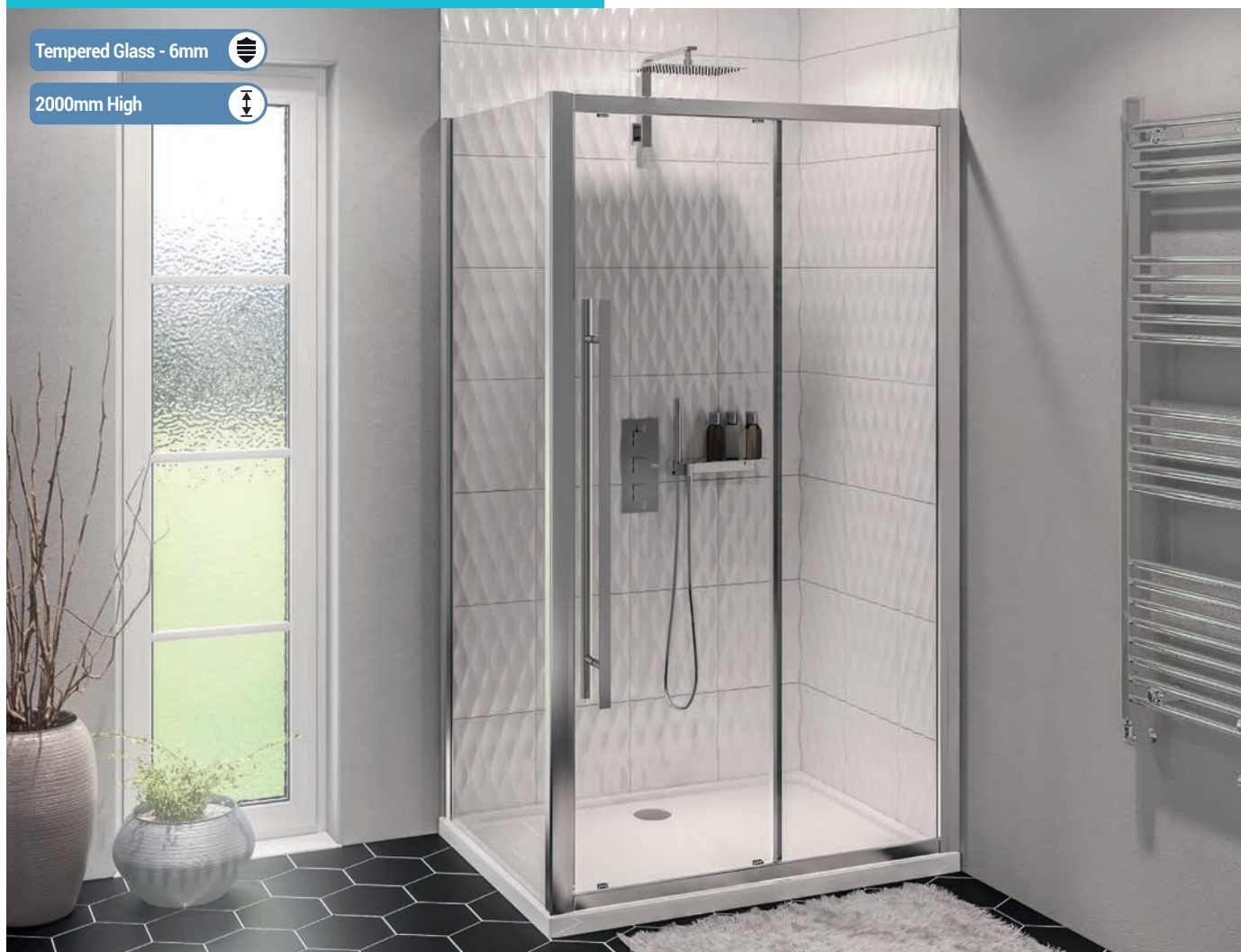
Extension Profile - Matt Black

Size	Code	£ Ex VAT	£ Inc VAT
Vantage 2000 6mm Extension Profile Matt Black	49.1095	29.00	34.80

Works with both sides of the door to wall, or side panel to wall.

Vantage 2000

VANTAGE 2000 SLIDING DOOR - CHROME



DOORS

Vantage 2000 Sliding Door - Chrome

Size	Adjustment	Door Opening	Code	£ Ex VAT	£ Inc VAT
1000mm door	940mm-980mm	365mm	49.0005	376.00	451.20
1100mm door	1040mm-1080mm	415mm	49.0007	394.00	472.80
1200mm door	1140mm-1180mm	465mm	49.0009	411.00	493.20
1400mm door	1340mm-1380mm	565mm	49.0011	440.00	528.00
1600mm door	1540mm-1580mm	665mm	49.0013	477.00	572.40
1650mm door	1590mm-1630mm	690mm	49.0015	484.00	580.80
1700mm door	1640mm-1680mm	715mm	49.0017	493.00	591.60

Adjustment varies when fitted with a side panel.

EXTRAS

Vantage 2000 Side Panel - Chrome

Size	Adjustment	Code	£ Ex VAT	£ Inc VAT
700mm Side panel	660mm-680mm	49.0029	198.00	237.60
760mm Side panel	720mm-740mm	49.0031	212.00	254.40
800mm Side panel	760mm-780mm	49.0033	218.00	261.60
900mm Side panel	860mm-880mm	49.0035	239.00	286.80
1000mm Side panel	960mm-980mm	49.0037	260.00	312.00

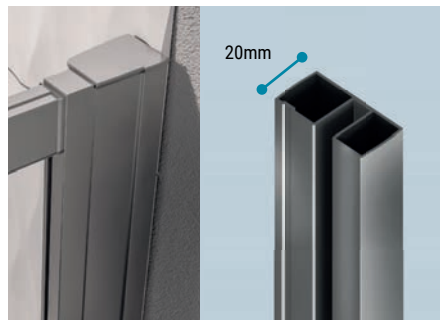
Vantage 2000 Side Panel with Towel Rail - Chrome

Size	Adjustment	Code	£ Ex VAT	£ Inc VAT
700mm Side panel with rail	660mm-680mm	49.0039	233.00	279.60
760mm Side panel with rail	720mm-740mm	49.0041	245.00	294.00
800mm Side panel with rail	760mm-780mm	49.0043	252.00	302.40
900mm Side panel with rail	860mm-880mm	49.0045	273.00	327.60

Vantage 2000 quadrant, 6mm tempered safety glass, 2000mm high

FEATURES

- 10 Year manufacturer's guarantee* W/Conditions
- Easy clean glass
- Suitable for power showers
- Trays available to match
- 6mm Tempered safety glass
- Chrome finish
- Fully concealed fixings



EXTRAS

Extension Profile - Chrome

Size	Code	£ Ex VAT	£ Inc VAT
Vantage 2000 6mm Extension Profile Chrome	49.1096	22.00	26.40

Works with both sides of the door to wall, or side panel to wall.

Vantage 2000

VANTAGE 2000 SLIDING DOOR - CHROME



Vantage 2000

VANTAGE 2000 SLIDING DOOR - BRUSHED BRASS

Tempered Glass - 6mm 

2000mm High 

NEW



Available
February
2023

Brushed Brass colour shown in images are subject to the limitations of the printing process and may appear different.



DOORS

Vantage 2000 Sliding Door - Brushed Brass

Size	Adjustment	Door Opening	Code	£ Ex VAT	£ Inc VAT
1000mm door	940mm-980mm	365mm	49.5001	456.00	547.20
1100mm door	1040mm-1080mm	415mm	49.5002	472.00	566.40
1200mm door	1140mm-1180mm	465mm	49.5003	488.00	585.60
1400mm door	1340mm-1380mm	565mm	49.5004	520.00	624.00
1600mm door	1540mm-1580mm	665mm	49.5005	552.00	662.40
1650mm door	1590mm-1630mm	690mm	49.5006	555.00	666.00
1700mm door	1640mm-1680mm	715mm	49.5007	557.00	668.40

Adjustment varies when fitted with a side panel.

EXTRAS

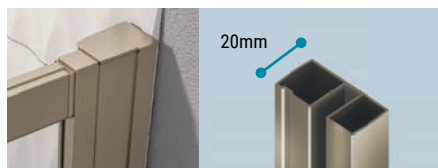
Vantage 2000 Side Panel - Brushed Brass

Size	Adjustment	Code	£ Ex VAT	£ Inc VAT
700mm side panel	660mm-680mm	49.5014	223.00	267.60
760mm side panel	720mm-740mm	49.5015	233.00	279.60
800mm side panel	760mm-780mm	49.5016	239.00	286.80
900mm side panel	860mm-880mm	49.5017	256.00	307.20
1000mm side panel	960mm-980mm	49.5018	272.00	326.40

Vantage 2000 quadrant, 6mm tempered safety glass, 2000mm high

FEATURES

- 10 Year manufacturer's guarantee* W/Conditions
- Easy clean glass
- Suitable for power showers
- 6mm Tempered safety glass
- Brushed Brass finish
- Fully concealed fixings



EXTRAS

Extension Profile - Brushed Brass

Size	Code	£ Ex VAT	£ Inc VAT
Vantage 2000 6mm Extension Profile Brushed Brass	49.3001	35.00	42.00

Works with both sides of the door to wall, or side panel to wall.

Vantage 2000

VANTAGE 2000 BI-FOLD DOOR - MATT BLACK



Tempered Glass - 6mm 

2000mm High 

Anodized Aluminium 



DOORS

Vantage 2000 Bi-Fold Door - Matt Black

Size	Adjustment	Door Opening	Code	£ Ex VAT	£ Inc VAT
700mm door	640mm-680mm	400mm	49.0046	448.00	537.60
760mm door	700mm-740mm	460mm	49.0048	465.00	558.00
800mm door	740mm-780mm	500mm	49.0050	476.00	571.20
900mm door	840mm-880mm	580mm	49.0052	501.00	601.20
1000mm door	940mm-980mm	660mm	49.0054	526.00	631.20

Adjustment varies when fitted with a side panel.

FEATURES

- 10 Year manufacturer's guarantee* W/Conditions
- Easy clean glass
- Suitable for power showers
- Trays available to match
- 6mm Tempered safety glass
- Anodized Matt Black finish
- Fully concealed fixings

Vantage bi-fold door, 6mm tempered glass, 2000mm high.

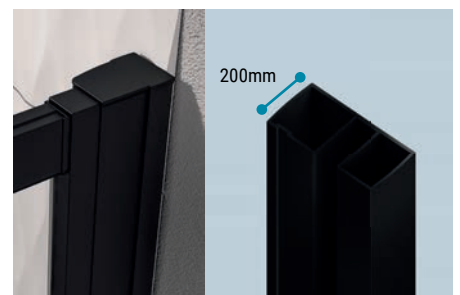
EXTRAS

Vantage 2000 Side Panel - Matt Black

Size	Adjustment	Code	£ Ex VAT	£ Inc VAT
700mm Side panel	660mm-680mm	49.0028	238.00	285.60
760mm Side panel	720mm-740mm	49.0030	251.00	301.20
800mm Side panel	760mm-780mm	49.0032	260.00	312.00
900mm Side panel	860mm-880mm	49.0034	281.00	337.20
1000mm Side panel	960mm-980mm	49.0036	302.00	362.40

Vantage 2000 Side Panel with Towel Rail - Matt Black

Size	Adjustment	Code	£ Ex VAT	£ Inc VAT
700mm Side panel with rail	660mm-680mm	49.0038	255.00	306.00
760mm Side panel with rail	720mm-740mm	49.0040	267.00	320.40
800mm Side panel with rail	760mm-780mm	49.0042	275.00	330.00
900mm Side panel with rail	860mm-880mm	49.0044	295.00	354.00



Extension Profile - Matt Black

Size	Code	£ Ex VAT	£ Inc VAT
Vantage 2000 6mm Extension Profile Matt Black	49.1095	29.00	34.80

Works with both sides of the door to wall, or side panel to wall.

Vantage 2000

VANTAGE 2000 BI-FOLD DOOR - CHROME



DOORS

Vantage 2000 Bi-Fold Door - Chrome

Size	Adjustment	Door Opening	Code	£ Ex VAT	£ Inc VAT
700mm door	640mm-680mm	400mm	49.0047	404.00	484.80
760mm door	700mm-740mm	460mm	49.0049	418.00	501.60
800mm door	740mm-780mm	500mm	49.0051	428.00	513.60
900mm door	840mm-880mm	580mm	49.0053	453.00	543.60
1000mm door	940mm-980mm	660mm	49.0055	480.00	576.00

Adjustment varies when fitted with a side panel.

EXTRAS

Vantage 2000 Side Panel - Chrome

Size	Adjustment	Code	£ Ex VAT	£ Inc VAT
700mm Side panel	660mm-680mm	49.0029	198.00	237.60
760mm Side panel	720mm-740mm	49.0031	212.00	254.40
800mm Side panel	760mm-780mm	49.0033	218.00	261.60
900mm Side panel	860mm-880mm	49.0035	239.00	286.80
1000mm Side panel	960mm-980mm	49.0037	260.00	312.00

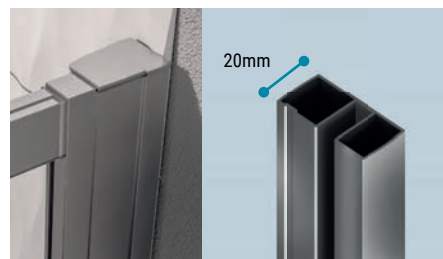
Vantage 2000 Side Panel with Towel Rail - Chrome

Size	Adjustment	Code	£ Ex VAT	£ Inc VAT
700mm Side panel with rail	660mm-680mm	49.0039	233.00	279.60
760mm Side panel with rail	720mm-740mm	49.0041	245.00	294.00
800mm Side panel with rail	760mm-780mm	49.0043	252.00	302.40
900mm Side panel with rail	860mm-880mm	49.0045	273.00	327.60

FEATURES

- 10 Year manufacturer's guarantee* W/Conditions
- Easy clean glass
- Suitable for power showers
- Trays available to match
- 6mm Tempered safety glass
- Chrome finish
- Fully concealed fixings

Vantage bi-fold door, 6mm tempered glass, 2000mm high.



EXTRAS

Extension Profile - Chrome

Size	Code	£ Ex VAT	£ Inc VAT
Vantage 2000 6mm Extension Profile Chrome	49.1096	22.00	26.40

Works with both sides of the door to wall, or side panel to wall.

Vantage 2000

VANTAGE 2000 BI-FOLD DOOR - BRUSHED BRASS



Available February 2023



Brushed Brass colour shown in images are subject to the limitations of the printing process and may appear different.



DOORS

Vantage 2000 Bi-Fold Door - Brushed Brass					
Size	Adjustment	Door Opening	Code	£ Ex VAT	£ Inc VAT
700mm door	640mm-680mm	400mm	49.5019	502.00	602.40
760mm door	700mm-740mm	460mm	49.5021	516.00	619.20
800mm door	740mm-780mm	500mm	49.5022	525.00	630.00
900mm door	840mm-880mm	580mm	49.5023	547.00	656.40
1000mm door	940mm-980mm	660mm	49.5024	355.00	507.60

Adjustment varies when fitted with a side panel.

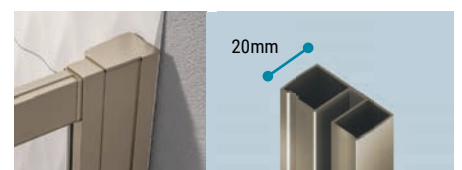
FEATURES

- 10 Year manufacturer's guarantee* W/Conditions
- Easy clean glass
- Suitable for power showers
- Trays available to match
- 6mm Tempered safety glass
- Brushed Brass finish
- Fully concealed fixings

Vantage bi-fold door, 6mm tempered glass, 2000mm high.

EXTRAS

Vantage 2000 Side Panel - Brushed Brass					
Size	Adjustment	Code	£ Ex VAT	£ Inc VAT	
700mm Side panel	660mm-680mm	49.5014	223.00	267.60	
760mm Side panel	720mm-740mm	49.5015	233.00	279.60	
800mm Side panel	760mm-780mm	49.5016	239.00	286.80	
900mm Side panel	860mm-880mm	49.5017	256.00	307.20	
1000mm Side panel	960mm-980mm	49.5018	272.00	326.40	



EXTRAS

Extension Profile - Brushed Brass			
Size	Code	£ Ex VAT	£ Inc VAT
Vantage 2000 6mm Extension Profile Brushed Brass	49.3001	35.00	42.00

Works with both sides of the door to wall, or side panel to wall.

Vantage 2000

VANTAGE 2000 CORNER ENTRY & OFFSET CORNER ENTRY - MATT BLACK



Tempered Glass - 6mm 

2000mm High 

Anodized Aluminium 

Vantage 2000 offset corner entry 6mm tempered glass, 2000mm high.

FEATURES

- 10 Year manufacturer's guarantee* With conditions
- Easy clean glass
- Suitable for power showers
- Trays available to match
- Anodized Matt Black finish
- 6mm Tempered safety glass
- Fully concealed fixings

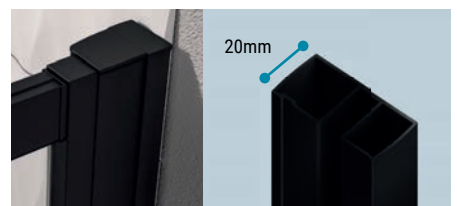
DOORS

Vantage 2000 Corner Entry & Offset Corner Entry - Matt Black

Size	Adjustment	Door Opening	Code	£ Ex VAT	£ Inc VAT
800 x 800mm	760-780 x 760-780	370mm	49.0102	539.00	646.80
900 x 700mm	860-880 x 660-680	370mm	49.0092	550.00	660.00
900 x 760mm	860-880 x 720-740	390mm	49.0094	556.00	667.20
900 x 800mm	860-880 x 760-780	405mm	49.0096	560.00	672.00
900 x 900mm	860-880 x 860-880	440mm	49.0104	568.00	681.60
1000 x 760mm	960-980 x 720-740	420mm	49.0098	577.00	692.40
1000 x 800mm	960-980 x 760-780	440mm	49.0100	579.00	694.80



Runners release for ease of cleaning



EXTRAS

Extension Profile - Matt Black

Size	Code	£ Ex VAT	£ Inc VAT
Vantage 2000 6mm	49.1095	29.00	34.80
Extension Profile Matt Black			

Works with both sides of the door to wall, or side panel to wall.

Vantage 2000

VANTAGE 2000 CORNER ENTRY & OFFSET CORNER ENTRY - CHROME



Tempered Glass - 6mm 

2000mm High 

Vantage 2000 offset corner entry 6mm tempered glass, 2000mm high.

FEATURES

- 10 Year manufacturer's guarantee* With conditions
- Easy clean glass
- Suitable for power showers
- Trays available to match
- Silver finish
- 6mm Tempered safety glass
- Fully concealed fixings

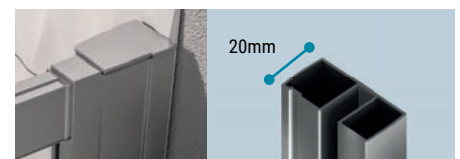
DOORS

Vantage 2000 Corner Entry & Offset Corner Entry - Chrome

Size	Adjustment	Door Opening	Code	£ Ex VAT	£ Inc VAT
800 x 800mm	760-780 x 760-780	370mm	49.0103	479.00	574.80
900 x 700mm	860-880 x 660-680	370mm	49.0093	490.00	588.00
900 x 760mm	860-880 x 720-740	390mm	49.0095	497.00	596.40
900 x 800mm	860-880 x 760-780	405mm	49.0097	499.00	598.80
900 x 900mm	860-880 x 860-880	440mm	49.0105	505.00	606.00
1000 x 760mm	960-980 x 720-740	420mm	49.0099	516.00	619.20
1000 x 800mm	960-980 x 760-780	440mm	49.0101	517.00	620.40



Runners release for ease of cleaning



EXTRAS

Extension Profile - Chrome

Size	Code	£ Ex VAT	£ Inc VAT
Vantage 2000 6mm Extension Profile Chrome	49.1096	22.00	26.40

Works with both sides of the door to wall, or side panel to wall.

Corniche

CORNICHE SLIDER DOOR

Tempered Glass - 8mm 

1950 mm High 



DOORS

Corniche Slider Door

Size	Adjustment	Door Opening	Code	£ Ex VAT	£ Inc VAT
1000mm Slider	960-1000mm	395mm	69.0075	673.00	807.60
1100mm Slider	1060-1100mm	445mm	69.0076	685.00	822.00
1200mm Slider	1160-1200mm	485mm	69.0077	703.00	843.60
1200mm Slider, easy-clean, soft-close	1160-1200mm	485mm	69.0081	842.00	1010.40
1400mm Slider	1360-1400mm	510mm	69.0078	780.00	936.00
1600mm Slider	1560-1600mm	610mm	69.0079	838.00	1005.60
1700mm Slider	1660-1700mm	665mm	69.0080	871.00	1045.20

Adjustment varies when fitted with a side panel.

EXTRAS

Corniche Side Panel

Size	Adjustment	Code	£ Ex VAT	£ Inc VAT
700mm Side Panel	685-700mm	69.0106	372.00	446.40
760mm Side Panel	745-760mm	69.0107	385.00	462.00
800mm Side Panel	785-800mm	69.0108	401.00	481.20
900mm Side Panel	885-900mm	69.0109	428.00	513.60
1000mm Side Panel	985-1000mm	69.0110	425.00	510.00
1200mm Side Panel	1185-1200mm	69.0138	479.00	574.80

Side Panel with Towel Rail

Size	Adjustment	Code	£ Ex VAT	£ Inc VAT
700mm Side Panel with towel rail	685-700mm	69.0101	404.00	484.80
760mm Side Panel with towel rail	745-760mm	69.0102	405.00	486.00
800mm Side Panel with towel rail	785-800mm	69.0103	407.00	488.40
900mm Side Panel with towel rail	885-900mm	69.0104	421.00	505.20
1000mm Side Panel with towel rail	985-1000mm	69.0105	467.00	560.40



Runners release for ease of cleaning

Corniche sliding door, 1950mm high with 8mm tempered safety glass doors. (BS EN12150)

FEATURES

- 10 Year manufacturer's guarantee*
 - Easy clean glass
 - Top cover cap
 - Magnetic closing
 - Suitable for power showers
 - 8mm Tempered safety glass
 - Soft close system available on the 1200 door
 - Polished Chrome
- *With conditions

CORNICHE HINGE DOOR



Tempered Glass - 8mm



1950 mm High



Corniche hinge door, 1950mm high with 8mm tempered safety glass doors (BS EN12150)

DOORS

Corniche Hinge Door

Size	Adjustment	Door Opening	Code	£ Ex VAT	£ Inc VAT
700mm Door	660-700mm	540mm	69.0087	714.00	856.80
760mm Door	720-760mm	600mm	69.0088	726.00	871.20
800mm Door	760-800mm	640mm	69.0089	734.00	880.80
900mm Door	860-900mm	740mm	69.0090	763.00	915.60
1000mm Door	960-1000mm	840mm	69.0091	781.00	937.20

Adjustment varies when fitted with a side panel.

EXTRAS

Corniche Side Panel

Size	Adjustment	Code	£ Ex VAT	£ Inc VAT
700mm Side Panel	685-700mm	69.0106	372.00	446.40
760mm Side Panel	745-760mm	69.0107	385.00	462.00
800mm Side Panel	785-800mm	69.0108	401.00	481.20
900mm Side Panel	885-900mm	69.0109	428.00	513.60
1000mm Side Panel	985-1000mm	69.0110	425.00	510.00
1200mm Side Panel	1185-1200mm	69.0138	479.00	574.80

Side Panel with Towel Rail

Size	Adjustment	Code	£ Ex VAT	£ Inc VAT
700 Side Panel with towel rail	685-700mm	69.0101	404.00	484.80
760 Side Panel with towel rail	745-760mm	69.0102	405.00	486.00
800 Side Panel with towel rail	785-800mm	69.0103	407.00	488.40
900 Side Panel with towel rail	885-900mm	69.0104	421.00	505.20
1000 Side Panel with towel rail	985-1000mm	69.0105	467.00	560.40

FEATURES

- 10 Year manufacturer's guarantee*
 - Easy clean glass
 - Top cover cap
 - Suitable for power showers
 - 8mm Tempered safety glass
 - Polished Chrome
- *With conditions

Corniche

CORNICHE QUADRANT

Tempered Glass - 8mm 

1950 mm High 



Corniche Quadrant, 1950mm high with 8mm tempered safety glass doors. (BS EN12150)

FEATURES

- 10 Year manufacturer's guarantee*
 - Easy clean glass
 - Top cover cap
 - Magnetic closing
 - Suitable for power showers
 - 8mm Tempered safety glass
 - Polished Chrome
- *With conditions



Runners release for ease of cleaning

DOORS

Corniche Quadrant

Size	Adjustment	Door Opening	Code	£ Ex VAT	£ Inc VAT
800mm Quadrant	765-800mm	375mm	69.0059	876.00	1051.20
900mm Quadrant	865-900mm	510mm	69.0060	920.00	1104.00
1000mm Quadrant	965-1000mm	510mm	69.0061	975.00	1170.00

CORNICHE OFFSET QUADRANT



Tempered Glass - 8mm



1950 mm High



Corniche Offset Quadrant, illustrated with Volente shower tray (see page 455). 1950mm high with 8mm tempered safety glass doors. (BS EN12150)

FEATURES

- 10 Year manufacturer's guarantee*
 - Easy clean glass
 - Top cover cap
 - Magnetic closing
 - Suitable for power showers
 - 8mm Tempered safety glass
 - Polished Chrome
- *With conditions



Right Hand



Left Hand

DOORS**Corniche Offset Quadrant**

Size	Adjustment	Door Opening	Code	£ Ex VAT	£ Inc VAT
900 x 760mm	870-900mm x 730-760mm	410mm	69.0062	873.00	1047.60
900 x 800mm	870-900mm x 770-800mm	460mm	69.0063	887.00	1064.40
1000 x 760mm	970-1000mm x 730-760mm	445mm	69.0064	887.00	1064.40
1000 x 800mm	970-1000mm x 770-800mm	470mm	69.0065	911.00	1093.20
1000 x 900mm	970-1000mm x 870-900mm	460mm	69.0066	935.00	1122.00
1200 x 800mm	1170-1200mm x 770-800mm	470mm	69.0067	956.00	1147.20
1200 x 900mm	1170-1200mm x 870-900mm	460mm	69.0068	981.00	1177.20



Runners release for ease of cleaning

Corniche 2000

CORNICHE 2000 SLIDING DOOR - CHROME

Tempered Glass - 8mm



2000mm High


NEW

 Available
February
2023


DOORS

Corniche 2000 Sliding Door - Chrome

Size	Adjustment	Door Opening	Code	£ Ex VAT	£ Inc VAT
1000mm	965mm-980mm	388mm	49.6001	458.00	549.60
1100mm	1065mm-1080mm	438mm	49.6002	481.00	577.20
1200mm	1165mm-1180mm	488mm	49.6003	505.00	606.00
1400mm	1365mm-1380mm	588mm	49.6004	552.00	662.40
1600mm	1565mm-1580mm	688mm	49.6005	600.00	720.00
1700mm	1665mm-1680mm	738mm	49.6006	620.00	744.00

Adjustment varies when fitted with a side panel.

EXTRAS

Corniche 2000 Side Panel - Chrome

Size	Adjustment	Code	£ Ex VAT	£ Inc VAT
700mm side panel	665mm-680mm	49.6007	262.00	314.40
760mm side panel	725mm-740mm	49.6008	275.00	330.00
800mm side panel	765mm-780mm	49.6009	286.00	343.20
900mm side panel	865mm-880mm	49.6011	300.00	360.00
1000mm side panel	965mm-980mm	49.6012	319.00	382.80

Corniche 2000 quadrant, 8mm tempered safety glass, 2000mm high

FEATURES

- 10 Year manufacturer's guarantee* W/Conditions
- Easy clean glass
- Suitable for power showers
- Trays available to match
- 8mm Tempered safety glass
- Chrome finish
- Fully concealed fixings

Corniche 2000

CORNICHE 2000 SLIDING DOOR - CHROME

Available
February
2023

NEW



COMPLETE THE LOOK

Cavone 60cm Door Cabinet

Size	Colour	Code	£ Ex VAT	£ Inc VAT
60cm Door Cabinet	Matt Grey	36.0048	478.00	573.60

Corniche 2000

CORNICHE 2000 SLIDING DOOR - BRUSHED BRASS

Tempered Glass - 8mm 

2000mm High 

NEW



Available
February
2023



Brushed Brass colour shown in images are subject to the limitations of the printing process and may appear different.

DOORS

Corniche 2000 Sliding Door - Brushed Brass

Size	Adjustment	Door Opening	Code	£ Ex VAT	£ Inc VAT
1000mm door	965mm- 980mm	388mm	49.6025	561.00	673.20
1100mm door	1065mm-1080mm	438mm	49.6026	588.00	705.60
1200mm door	1165mm-1180mm	488mm	49.6027	616.00	739.20
1400mm door	1365mm-1380mm	588mm	49.6028	668.00	801.60
1600mm door	1565mm-1580mm	688mm	49.6029	713.00	855.60
1700mm door	1665mm-1680mm	738mm	49.6031	734.00	880.80

Adjustment varies when fitted with a side panel.

EXTRAS

Corniche 2000 Side Panel - Brushed Brass

Size	Adjustment	Code	£ Ex VAT	£ Inc VAT
700mm side panel	665mm-680mm	49.6032	295.00	354.00
760mm side panel	725mm-740mm	49.6033	309.00	370.80
800mm side panel	765mm-780mm	49.6034	320.00	384.00
900mm side panel	865mm-880mm	49.6035	335.00	402.00
1000mm side panel	965mm-980mm	49.6036	355.00	426.00



Corniche 2000 quadrant, 8mm tempered safety glass, 2000mm high

FEATURES

- 10 Year manufacturer's guarantee* W/Conditions
- Easy clean glass
- Suitable for power showers
- Trays available to match
- 8mm Tempered safety glass
- Brushed Brass finish
- Fully concealed fixings

Corniche 2000

CORNICHE 2000 SLIDING DOOR - MATT BLACK

Available
February
2023



Tempered Glass - 8mm



2000mm High



NEW

DOORS

Corniche 2000 Sliding Door - Matt Black

Size	Adjustment	Door Opening	Code	£ Ex VAT	£ Inc VAT
1000mm door	965mm-980mm	388mm	49.6013	516.00	619.20
1100mm door	1065mm-1080mm	438mm	49.6014	542.00	650.40
1200mm door	1165mm-1180mm	488mm	49.6015	567.00	680.40
1400mm door	1365mm-1380mm	588mm	49.6016	616.00	739.20
1600mm door	1565mm-1580mm	688mm	49.6017	658.00	789.60
1700mm door	1665mm-1680mm	738mm	49.6018	677.00	812.40

Adjustment varies when fitted with a side panel.

EXTRAS

Corniche 2000 Side Panel - Matt Black

Size	Adjustment	Code	£ Ex VAT	£ Inc VAT
700mm side panel	665mm-680mm	49.6019	273.00	327.60
760mm side panel	725mm-740mm	49.6021	286.00	343.20
800mm side panel	765mm-780mm	49.6022	297.00	356.40
900mm side panel	865mm-880mm	49.6023	311.00	373.20
1000mm side panel	965mm-980mm	49.6024	330.00	396.00




Corniche 2000 quadrant, 8mm tempered safety glass, 2000mm high


FEATURES

- 10 Year manufacturer's guarantee* W/Conditions
- Easy clean glass
- Suitable for power showers
- Trays available to match
- 8mm Tempered safety glass
- Anodized Matt Black finish
- Fully concealed fixings

Vanguard

VANGUARD SLIDER

Tempered Glass - 10mm 

2000 mm High 



VANGUARD SLIDER



N.B. When using a side panel the door must be fitted so that it closes against the side panel as shown above.

DOORS

Vanguard Slider

Size	Adjustment	Door Opening	Code	£ Ex VAT	£ Inc VAT
1000mm door	980-1000mm	380mm	58.250	1050.00	1260.00
1100mm door	1080-1100mm	420mm	58.251	1072.00	1286.40
1200mm door	1180-1200mm	460mm	58.252	1097.00	1316.40
1400mm door	1380-1400mm	540mm	58.253	1121.00	1345.20
1600mm door	1580-1600mm	620mm	58.254	1171.00	1405.20
1700mm door	1680-1700mm	660mm	58.255	1230.00	1476.00

EXTRAS

Vanguard Side Panel

Size	Adjustment	Code	£ Ex VAT	£ Inc VAT
700mm side panel	680-700mm	58.262	427.00	512.40
760mm side panel	740-760mm	58.263	443.00	531.60
800mm side panel	780-800mm	58.264	456.00	547.20
900mm side panel	880-900mm	58.265	483.00	579.60
1000mm side panel	980-1000mm	58.266	521.00	625.20

Luxurious, easy to clean enclosure with a distinctive top roller mechanism making a bold statement in your bathroom. 10mm tempered safety glass, 2000mm height.

FEATURES

- 10 Year manufacturer's guarantee*
- Easy clean glass
- Trays available to match
- 10mm Tempered safety glass
- Polished Chrome

*With conditions

Vanguard

VANGUARD QUAD

Tempered Glass - 10mm 

2000 mm High 



Door opening as illustrated only.

DOORS

Vanguard Quadrant

Size	Adjustment	Door Opening	Code	£ Ex VAT	£ Inc VAT
800mm	780-800mm	430mm	58.256	1220.00	1464.00
900mm	880-900mm	470mm	58.257	1245.00	1494.00
1000mm	980-1000mm	470mm	58.258	1333.00	1599.60

Luxurious, easy to clean enclosure with a distinctive top roller mechanism making a bold statement in your bathroom.
10mm tempered safety glass, 2000mm height.

FEATURES

- 10 Year manufacturer's guarantee*
 - Easy clean glass
 - Trays available to match
 - 10mm Tempered safety glass
 - Polished Chrome
- *With conditions

VANGUARD OFFSET QUADRANT



Tempered Glass - 10mm 

2000 mm High 

Door opening as illustrated only. Enclosure available in left or right hand. Right hand shown above.

Luxurious, easy to clean enclosure with a distinctive top roller mechanism making a bold statement in your bathroom. 10mm tempered safety glass, 2000mm height.

FEATURES

- 10 Year manufacturer's guarantee*
- Easy clean glass
- Trays available to match
- 10mm Tempered safety glass
- Polished Chrome
- *With conditions



Left hand shown above

DOORS

Vanguard Offset Quadrant

Size	Adjustment	Door Opening	Code	£ Ex VAT	£ Inc VAT
800 x 1000mm	780-800 x 980-1000mm	430mm	58.259L or R	1300.00	1560.00
800 x 1200mm	780-800 x 1180-1200mm	430mm	58.260L or R	1345.00	1614.00
900 x 1200mm	880-900 x 1180-1200mm	454mm	58.261L or R	1356.00	1627.20

Valliant Walk-In

Tempered Glass - 8mm 

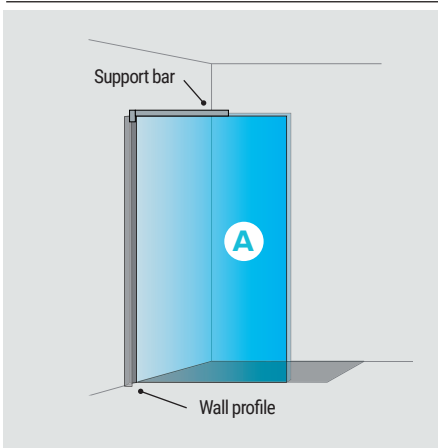
1950 mm High 

VALLIANT - TYPE A

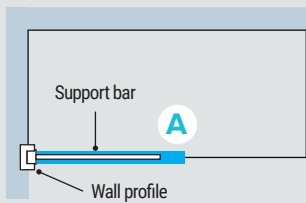
Type A panels are fixed to the wall with a wall profile, the panel also comes with one wall support bar.

FEATURES

- 10 Year manufacturer's guarantee*
- Easy clean glass
- 1950mm Height
- Trays available to match
- 8mm Tempered safety glass
- *With conditions



Panel A
Comes with 1 wall profile and 1 support bar.



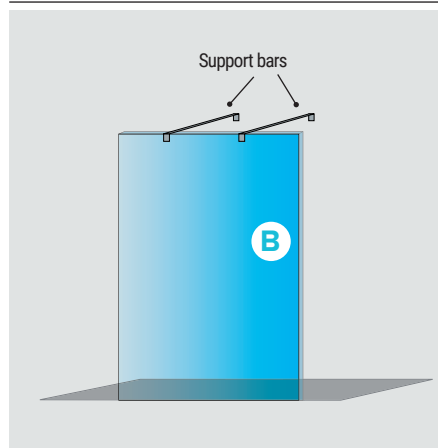
Panel A - Example
58.356 800mm side panel including support bar and wall profile (A) See page 416 for details.

VALLIANT - TYPE B

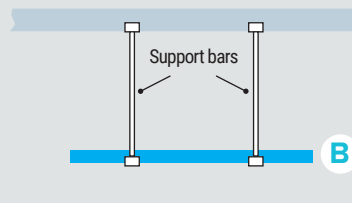
Type B panels can only be used in a walk-through situation, the panel is a single pane of glass and comes with two wall support bars only. This can be used with two type C, 250mm panels, which contain a corner profile so they can be attached to the Type B panel. They can both be installed with a tray or in a wetroom situation.

FEATURES

- 10 Year manufacturer's guarantee*
- Easy clean glass
- 1950mm Height
- Trays available to match
- 8mm Tempered safety glass
- *With conditions



Panel B - Comes with 2 support bars. (No wall profile supplied).



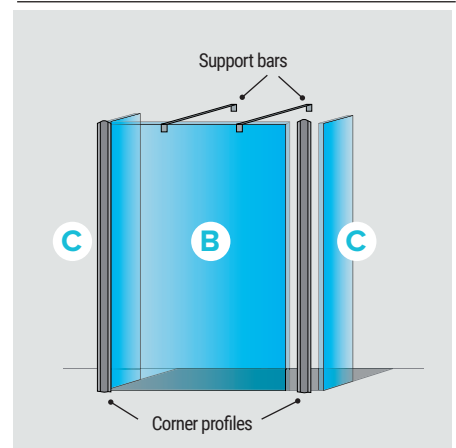
Panel B - Example
58.362 1200mm walk-in panel with two support bars (B), see page 417 for details.

VALLIANT - TYPE C

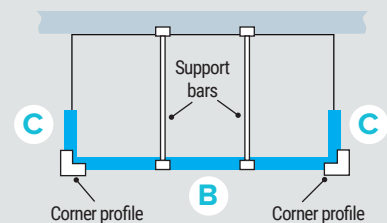
Type C is a single pane of glass with a corner profile, this can only be attached to another pane of glass (no wall support bar is provided with Type C). Type A/B & C can be used together to create different walk-in situations as illustrated, see page opposite and below. However please note the wall support bar from Type A/B can be used on either pane of glass to suit your requirements.

FEATURES

- 10 Year manufacturer's guarantee*
- 1950mm Height
- Easy clean glass
- 8mm Tempered safety glass
- *With conditions



Panel C - Comes with 1 corner profile (No wall profile supplied), shown with Type B panel.



Panel C - Example
58.362 1200mm walk-in panel with two support bars (B), 2 x 58.363 250mm end panels (C), see page 417 for details.

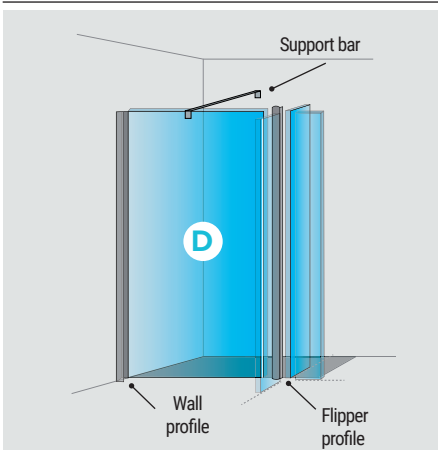
Valliant Walk-In

VALLIANT - TYPE D

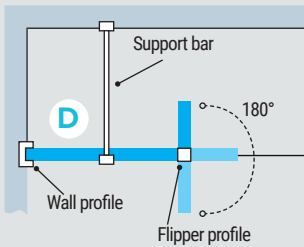
Type D contains a panel of glass with a wall profile, plus a 300mm flipper which is hinged and rotates 180 degrees. Type D must be fixed to the wall, it cannot be fixed to another pane of glass.

FEATURES

- 10 Year manufacturer's guarantee*
- Easy clean glass
- 1950mm Height
- Trays available to match
- 8mm Tempered safety glass
- *With conditions



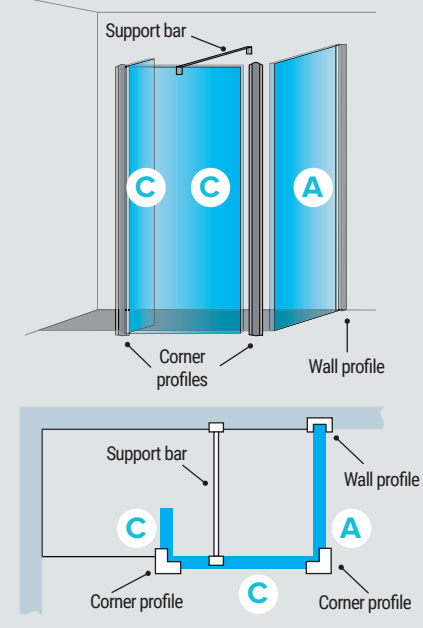
Panel C - Comes with 1 wall profile, support bar and a 300mm flipper.



Panel C - Example
58.351 800mm front panel with wall profile and 300mm flipper (D), see page 417 for details.

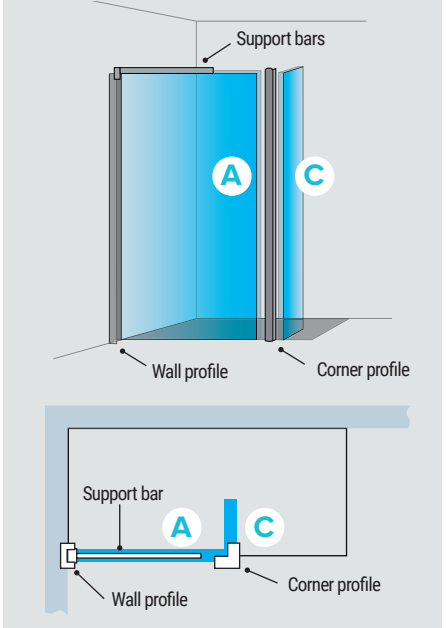
OTHER VALLIANT COMBINATIONS

TYPE A & C



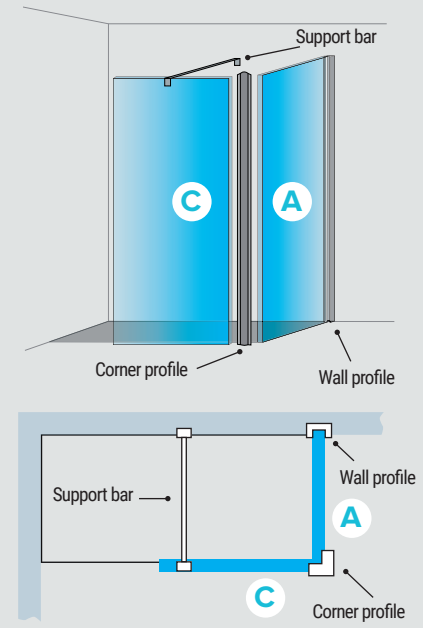
See page 419-420 for details.

TYPE A & C



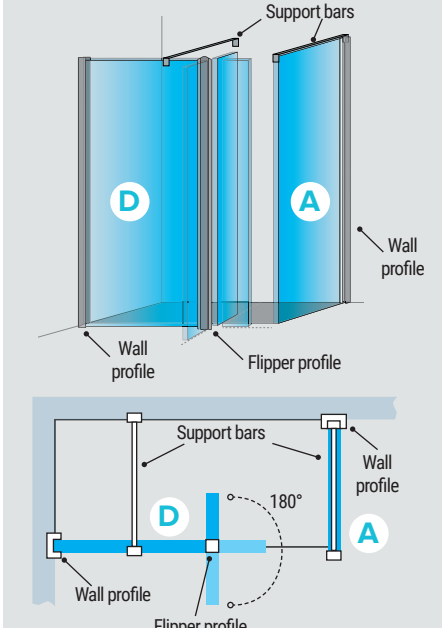
See page 412-420 for details.

TYPE A & C



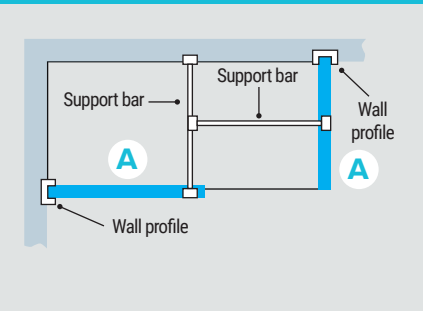
See page 419-420 for details.

TYPE A & D

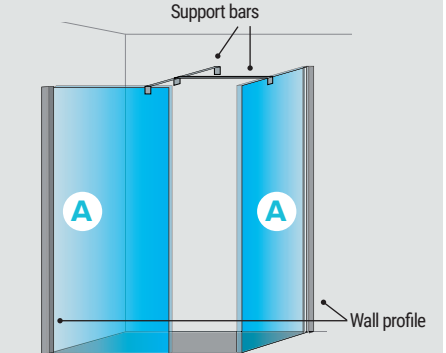


See page 418 for details.

TYPE A



See page 416 for details.



Valliant Walk-In

VALLIANT - TYPE A



Application 1

58.356 800mm side panel including support bar and wall profile (A)



Application 2

2 x 58.357 900mm side panel including support bar and wall profile (A)

Tempered Glass - 8mm



1950 mm High



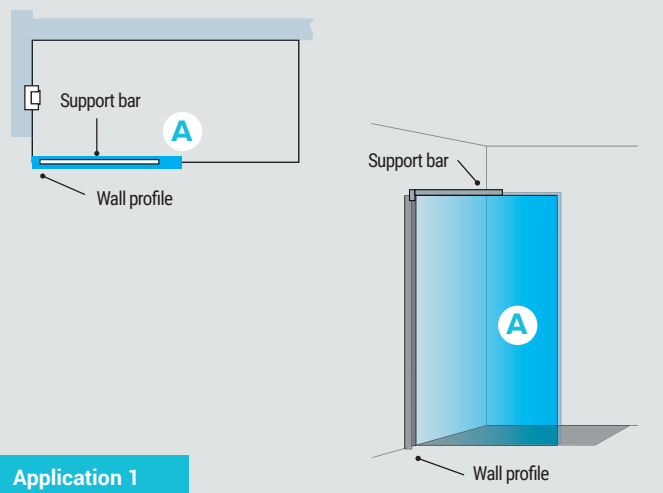
Valliant Walk-in - Type A

Size	Includes	Adjustment	Type	Code	£ Ex VAT	£ Inc VAT
300x1950 (8mm)	support bar	282-300mm	A	58.103	290.00	348.00
500x1950 (8mm)	support bar	482-500mm	A	58.689	321.00	385.20
700x1950 (8mm)	support bar	662-680mm	A	58.354	427.00	512.40
760x1950 (8mm)	support bar	722-740mm	A	58.355	434.00	520.80
800x1950 (8mm)	support bar	762-780mm	A	58.356	443.00	531.60
900x1950 (8mm)	support bar	862-880mm	A	58.357	471.00	565.20
1000x1950 (8mm)	support bar	962-980mm	A	58.358	500.00	600.00
1100x1950 (8mm)	support bar	1062-1080mm	A	58.046	502.00	602.40
1200x1950 (8mm)	support bar	1162-1180mm	A	58.047	526.00	631.20
1400x1950 (8mm)	support bar	1362-1380mm	A	58.048	582.00	698.40

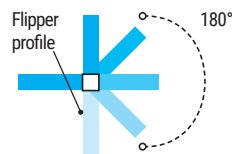
Type A panels are fixed to the wall with a wall profile, the panel also comes with one wall support bar. A 300/400mm flipper kit can be installed retrospectively.

Panel A

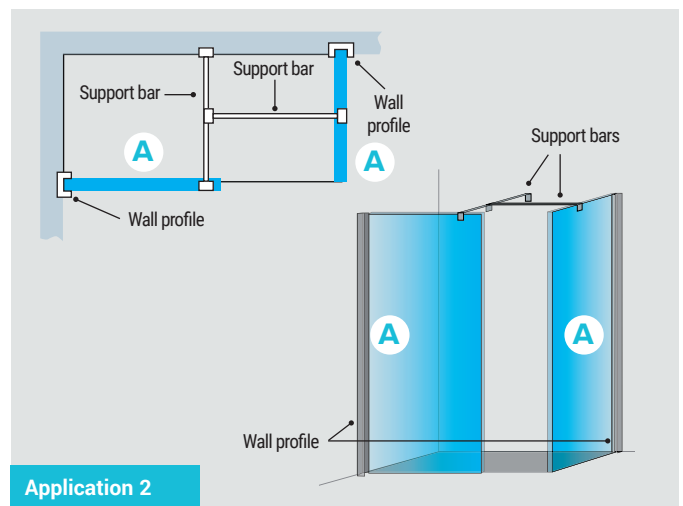
Comes with 1 wall profile and 1 support bar.



Application 1



300/400mm Flipper kit can be added to any Valliant glass to convert to a flipper (see page 417).



Application 2

Valliant Walk-In

VALLIANT - TYPE B

Tempered Glass - 8mm



1950 mm High



58.362 1200mm walk-in panel with two support bars (B)

Type B panels can only be used in a walk-through situation, the panel is a single pane of glass and comes with two wall support bars only. This can be used with two type C, 250mm panels, which contain a corner profile so they can be attached to the Type B panel or with the flipper kit, to create a 180 degree flipper panel. They can both be installed with a tray or in a wetroom situation.

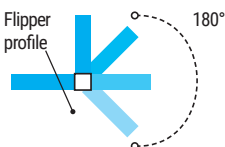
FEATURES

- 10 Year manufacturer's guarantee*
- Easy clean glass
- 1950mm Height
- Trays available to match
- 8mm Tempered safety glass
- *With conditions

Valliant Walk-in - Type B

Size	Includes	Glass Length	Type	Code	£ Ex VAT	£ Inc VAT
900x1950 (8mm)	2 x support bars	860mm	B	58.359	465.00	558.00
1000x1950 (8mm)	2 x support bars	960mm	B	58.360	490.00	588.00
1100x1950 (8mm)	2 x support bars	1060mm	B	58.361	517.00	620.40
1200x1950 (8mm)	2 x support bars	1160mm	B	58.362	546.00	655.20

Flipper kit can be installed retrospectively.



300/400mm Flipper kit can be added to any Valliant glass to convert to a flipper.

Panel B - Comes with 2 Support Bars

- 58.359 900 x 1950
- 58.360 1000 x 1950
- 58.361 1100 x 1950
- 58.362 1200 x 1950
- * No wall profile supplied

VALLIANT - TYPE C

Tempered Glass - 8mm



1950 mm High



Combination B&C

58.362 1200mm walk-in panel with two support bars (B), 2 x 58.363 250mm end panels (C)

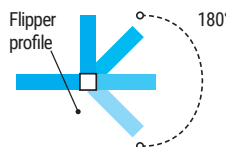
Type C is a single pane of glass with a corner profile, this can only be attached to another pane of glass (no wall support bar is provided with Type C). Type A & C can be used together to create different walk-in situations as illustrated. However please note the wall support bar from Type A can be used on either pane of glass to suit your requirements.

Valliant Walk-in - Type C**

Description	Type	Code	£ Ex VAT	£ Inc VAT
Valliant walkin 250x1950 C 8mm Silver	C	58.363	350.00	420.00
Valliant walkin support bar 900mm Silver	-	58.369	69.00	82.80
Valliant Flipper Kit 1950 x 300 Silver	-	58.044	132.00	158.40
Volente/Valliant ceiling support bar	-	58.816	108.00	129.60

300mm Flipper kit can be added to any Valliant glass to convert to a flipper.

**No support bar supplied. *Panel C comes with one corner profile. No wall profile supplied.



300/400mm Flipper kit can be added to any Valliant glass to convert to a flipper.

Panel C - Comes with 1 corner profile. No wall profile supplied.

- 58.363 250 x 1950
- * B & C panels must be supported by the rim of the tray or the floor.

Valliant Walk-In

VALLIANT - TYPE D



Type D contains a panel of glass with a wall profile, plus a 300mm flipper which is hinged and rotates 180 degrees. Type D must be fixed to the wall, it cannot be fixed to another pane of glass.

FEATURES

- 10 Year manufacturer's guarantee*
- 1950mm Height
- Trays available to match
- 8mm Tempered safety glass
- *With conditions

Valliant Walk-in - Type D

Fixed Panel Size	Flipper Size	Adjustment	Type	Code	£ Ex VAT	£ Inc VAT
600x1950 (8mm)	300 Flipper	582-600mm	D	58.350	532.00	638.40
800x1950 (8mm)	300 Flipper	782-800mm	D	58.351	592.00	710.40
900x1950 (8mm)	300 Flipper	882-900mm	D	58.352	620.00	744.00
1100x1950 (8mm)	300 Flipper	1082-1100mm	D	58.353	675.00	810.00
1200x1950 (8mm)	300 Flipper	1182-1200mm	D	58.690	691.00	829.20

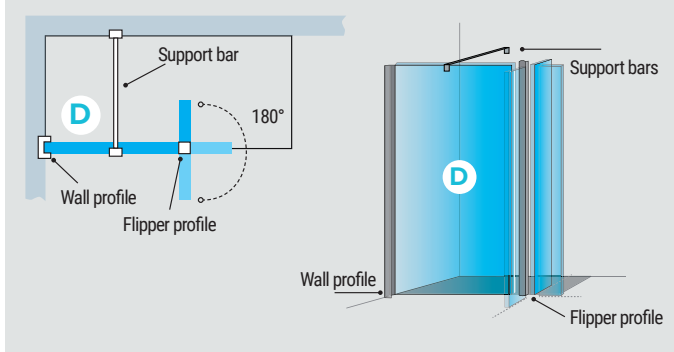
Accessories

Size	Code	£ Ex VAT	£ Inc VAT
Valliant walkin support bar 9mm	58.369	69.00	82.80
Valliant flipper kit 1950x300	58.044	132.00	158.40
Valliant flipper kit 1950x400	58.819	167.00	200.40
Volente/Valliant ceiling support bar	58.816	108.00	129.60

300/400mm Flipper kit can be added to any Valliant glass to convert to a flipper.

Panel D

Comes with 1 wall profile, support bar and a 300mm flipper.



VALLIANT - TYPE A&D



Type A panels are fixed to the wall with a wall profile, the panel also comes with a wall support bar and are shown here as end panels. Type D contains a panel of glass with a wall profile, plus a 300mm flipper which is hinged and rotates 180 degrees. Type D must be fixed to the wall and it cannot be fixed to another pane of glass.

Valliant Walk-in - Type A

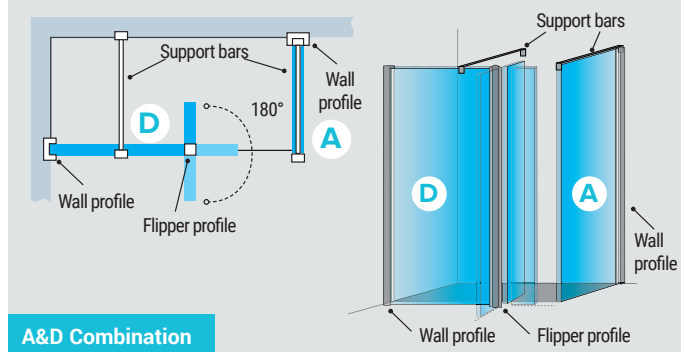
Size	Includes	Adjustment	Type	Code	£ Ex VAT	£ Inc VAT
300x1950 (8mm)	support bar	282-300mm	A	58.103	290.00	348.00
500x1950 (8mm)	support bar	482-500mm	A	58.689	321.00	385.20
700x1950 (8mm)	support bar	662-680mm	A	58.354	427.00	512.40
760x1950 (8mm)	support bar	722-740mm	A	58.355	434.00	520.80
800x1950 (8mm)	support bar	762-780mm	A	58.356	443.00	531.60
900x1950 (8mm)	support bar	862-880mm	A	58.357	471.00	565.20
1000x1950 (8mm)	support bar	962-980mm	A	58.358	500.00	600.00
1100x1950 (8mm)	support bar	1062-1080mm	A	58.046	502.00	602.40
1200x1950 (8mm)	support bar	1162-1180mm	A	58.047	526.00	631.20
1400x1950 (8mm)	support bar	1362-1380mm	A	58.048	582.00	698.40

Valliant Walk-in - Type D

Fixed Panel Size	Flipper Size	Adjustment	Type	Code	£ Ex VAT	£ Inc VAT
600x1950 (8mm)	300 Flipper	582-600mm	D	58.350	532.00	638.40
800x1950 (8mm)	300 Flipper	782-800mm	D	58.351	592.00	710.40
900x1950 (8mm)	300 Flipper	882-900mm	D	58.352	620.00	744.00
1100x1950 (8mm)	300 Flipper	1082-1100mm	D	58.353	675.00	810.00
1200x1950 (8mm)	300 Flipper	1182-1200mm	D	58.690	691.00	829.20

Panel A

Comes with 1 wall profile and 1 support bar.



A&D Combination

Valliant Walk-In

VALLIANT - TYPE A&C - COMBINATIONS

Tempered Glass - 8mm 

1950 mm High 



Application 1

58.357 900mm side panel including support bar and wall profile (A), 58.367 900mm end panel with corner profile (C)

Tempered Glass - 8mm 

1950 mm High 



Application 2

58.367 900mm end panel with corner profile (C), 2 x 58.357 900mm side panel including support bar and wall profile (A)

Type C is a single pane of glass with a corner profile, this can only be attached to another pane of glass (no wall support bar is provided with Type C). Type A & C can be used together to create different walk-in situations as illustrated, can also install a 180 degree flipper kit retrospectively. However please note the wall support bar from Type A can be used on either pane of glass to suit your requirements.

Valliant Walk-in - Type C

Size	Includes	Glass Length	Type	Code	£ Ex VAT	£ Inc VAT
250x1950 (8mm)	Corner Profile	250mm	C*	58.363	350.00	420.00
700x1950 (8mm)	Corner Profile	650mm	C*	58.364	372.00	446.40
760x1950 (8mm)	Corner Profile	710mm	C*	58.365	379.00	454.80
800x1950 (8mm)	Corner Profile	750mm	C*	58.366	383.00	459.60
900x1950 (8mm)	Corner Profile	850mm	C*	58.367	415.00	498.00
1000x1950 (8mm)	Corner Profile	950mm	C*	58.368	439.00	526.80

*No wall support bar is provided with Type C

Accessories

Size	Code	£ Ex VAT	£ Inc VAT
Valliant walkin support bar 9mm	58.369	69.00	82.80
Valliant flipper kit 1950x300	58.044	132.00	158.40
Valliant flipper kit 1950x400	58.819	167.00	200.40
Volente/Valliant ceiling support bar	58.816	108.00	129.60

Valliant Walk-in - Type A

Size	Includes	Adjustment	Type	Code	£ Ex VAT	£ Inc VAT
300x1950 (8mm)	support bar	282-300mm	A	58.103	290.00	348.00
500x1950 (8mm)	support bar	482-500mm	A	58.689	321.00	385.20
700x1950 (8mm)	support bar	662-680mm	A	58.354	427.00	512.40
760x1950 (8mm)	support bar	722-740mm	A	58.355	434.00	520.80
800x1950 (8mm)	support bar	762-780mm	A	58.356	443.00	531.60
900x1950 (8mm)	support bar	862-880mm	A	58.357	471.00	565.20
1000x1950 (8mm)	support bar	962-980mm	A	58.358	500.00	600.00
1100x1950 (8mm)	support bar	1062-1080mm	A	58.046	502.00	602.40
1200x1950 (8mm)	support bar	1162-1180mm	A	58.047	526.00	631.20
1400x1950 (8mm)	support bar	1362-1380mm	A	58.048	582.00	698.40

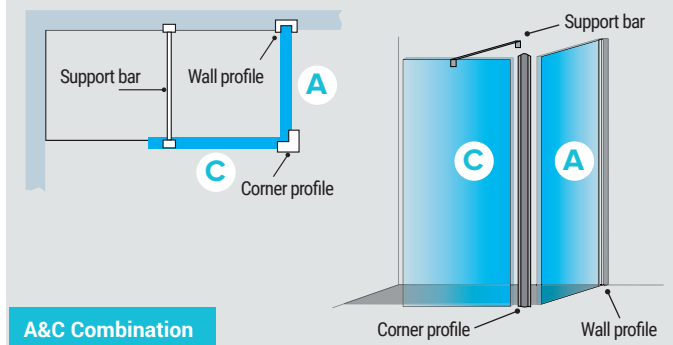
Valliant Walk-in - Type C

Size	Includes	Glass Length	Type	Code	£ Ex VAT	£ Inc VAT
250x1950 (8mm)	Corner Profile	250mm	C*	58.363	350.00	420.00
700x1950 (8mm)	Corner Profile	650mm	C*	58.364	372.00	446.40
760x1950 (8mm)	Corner Profile	710mm	C*	58.365	379.00	454.80
800x1950 (8mm)	Corner Profile	750mm	C*	58.366	383.00	459.60
900x1950 (8mm)	Corner Profile	850mm	C*	58.367	415.00	498.00
1000x1950 (8mm)	Corner Profile	950mm	C*	58.368	439.00	526.80

*No wall support bar is provided with Type C

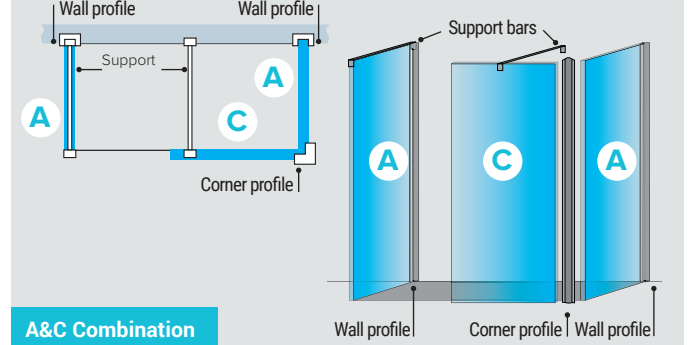
These panels must be supported by the rim of the tray or the floor

Panel C
Comes with 1 corner profile.



A&C Combination

Panel A
Comes with 1 wall profile and 1 support bar.



A&C Combination

Valliant Walk-In

VALLIANT - TYPE A&C - COMBINATION

Tempered Glass - 8mm 

1950 mm High 



Application 3

58.357 900mm side panel including support bar and wall profile (A), 58.363 250mm end panel with corner profile (C)

Type A panels are fixed to the wall with a wall profile, the panel also comes with one wall support bar. Type C is a single pane of glass with a corner profile, this can only be attached to another pane of glass (no support bar is provided with Type C). Type A & C can be used together to create different walk-in situations as illustrated - and can also be installed with a 180 degree flipper kit retrospectively. However please note the wall support bar from Type A can be used on either pane of glass to suit your requirements.

Valliant Walk-in - Type A

Size	Includes	Adjustment	Type	Code	£ Ex VAT	£ Inc VAT
300x1950 (8mm)	support bar	282-300mm	A	58.103	290.00	348.00
500x1950 (8mm)	support bar	482-500mm	A	58.689	321.00	385.20
700x1950 (8mm)	support bar	662-680mm	A	58.354	427.00	512.40
760x1950 (8mm)	support bar	722-740mm	A	58.355	434.00	520.80
800x1950 (8mm)	support bar	762-780mm	A	58.356	443.00	531.60
900x1950 (8mm)	support bar	862-880mm	A	58.357	471.00	565.20
1000x1950 (8mm)	support bar	962-980mm	A	58.358	500.00	600.00
1100x1950 (8mm)	support bar	1062-1080mm	A	58.046	502.00	602.40
1200x1950 (8mm)	support bar	1162-1180mm	A	58.047	526.00	631.20
1400x1950 (8mm)	support bar	1362-1380mm	A	58.048	582.00	698.40

Valliant Walk-in - Type C

Size	Includes	Glass Length	Type	Code	£ Ex VAT	£ Inc VAT
250x1950 (8mm)	Corner Profile	250mm	C*	58.363	350.00	420.00
700x1950 (8mm)	Corner Profile	650mm	C*	58.364	372.00	446.40
760x1950 (8mm)	Corner Profile	710mm	C*	58.365	379.00	454.80
800x1950 (8mm)	Corner Profile	750mm	C*	58.366	383.00	459.60
900x1950 (8mm)	Corner Profile	850mm	C*	58.367	415.00	498.00
1000x1950 (8mm)	Corner Profile	950mm	C*	58.368	439.00	526.80

*No wall support bar is provided with Type C
These panels must be supported by the rim of the tray or the floor

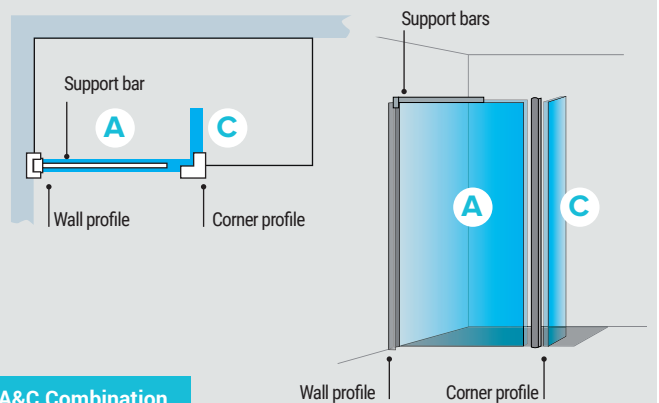
Accessories

Size	Code	£ Ex VAT	£ Inc VAT
Valliant walkin support bar 900mm Silver	58.369	69.00	82.80
Valliant Flipper Kit 1950 x 300 Silver	58.044	132.00	158.40
Valliant Flipper Kit 1950 x 400	58.819	167.00	200.40
Volente/Valliant ceiling support bar	58.816	108.00	129.60

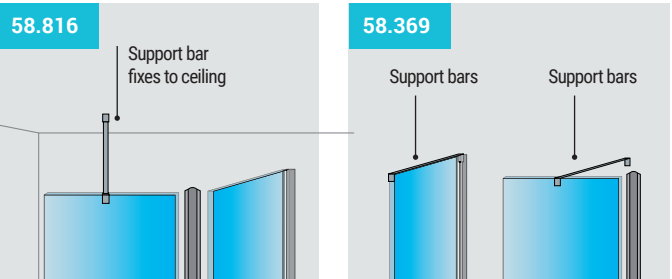
300/400mm Flipper kit can be added to any Valliant glass to convert to a flipper at time of installation or retrospectively. N.B 58.816 Ceiling support arm is 580mm in length and can be cut down.

Panel A

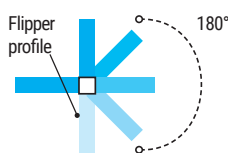
Comes with 1 wall profile and 1 support bar.



A&C Combination



A new range of accessories for the Valliant Walk-ins includes a wall support bar which fixes directly to the wall, a 300mm and 400mm Flipper kit which can be added to any Valliant glass panel to convert to a flipper, and a ceiling support bar which fixes the glass panel to the ceiling.



300/400mm Flipper kit can be added to any Valliant glass to convert to a flipper.

Volente Walk-In

VOLENTE WALK-IN - CLEAR GLASS



Tempered Glass - 6mm



1850 mm High



PANELS

Volente Walk-In - Clear Glass

Size	Adjustment	Code	£ Ex VAT	£ Inc VAT
500mm front panel	472-490mm	58.688	280.00	336.00
700mm front panel	672-690mm	58.614	330.00	396.00
760mm front panel	732-750mm	58.615	330.00	396.00
800mm front panel	772-790mm	58.616	330.00	396.00
900mm front panel	872-890mm	58.611	343.00	411.60
1000mm front panel	972-990mm	58.612	368.00	441.60
1200mm front panel	1172-1190mm	58.613	415.00	498.00

All panels come with one support bar.

EXTRAS

End Panels - Clear Glass

Size	Adjustment	Code	£ Ex VAT	£ Inc VAT
300mm end panel	272-290mm	58.102	257.00	308.40
500mm end panel	472-490mm	58.688	280.00	336.00
700mm end panel	672-690mm	58.614	330.00	396.00
760mm end panel	732-750mm	58.615	330.00	396.00
800mm end panel	772-790mm	58.616	330.00	396.00
900mm end panel	872-890mm	58.611	343.00	411.60

All panels come with one support bar.

Volente Extras

Description	Code	£ Ex VAT	£ Inc VAT
Valliant Walkin support bar 900mm	58.369	69.00	82.80
Volente Flipper Kit 1850 x 300*	58.817	119.00	142.80
Volente Flipper Kit 1850 x 400*	58.818	127.00	152.40
Volente /Valliant ceiling support bar*	58.816	108.00	129.60

Flipper kit can be installed retrospectively.

Luxurious, easy to clean, contemporary framed enclosure in 6mm tempered safety glass, height 1850mm.

FEATURES

- 10 Year manufacturer's guarantee*
 - Easy clean glass
 - 6mm Tempered safety glass
 - Clear glass - also available in frosted glass
- *With conditions

*When fitting with two side panels one of the standard Volente side panels (P354) is used with one of the Volente walk-in end panels. The front panel may have to be downsized to ensure there is enough opening on the walk-in end panels. For further advice please contact our technical department on 01452 317 890.



Note: wall bracket can be fitted at 90° or parallel to the glass.



300mm panel allows greater access

Can be fitted with two side panels as shown*

Volente Walk-In

VOLENTE WALK-IN - FROSTED GLASS

Tempered Glass - 6mm 

1850 mm High 

Frosted 



PANELS

Volente Walk-In - Frosted Glass

Size	Adjustment	Code	£ Ex VAT	£ Inc VAT
500mm front panel	472-490mm	58.036	291.00	349.20
700mm front panel	672-690mm	58.033	321.00	385.20
760mm front panel	732-750mm	58.034	330.00	396.00
800mm front panel	772-790mm	58.035	340.00	408.00
900mm front panel	872-890mm	58.030	356.00	427.20
1000mm front panel	972-990mm	58.031	380.00	456.00
1200mm front panel	1172-1190mm	58.032	431.00	517.20

All panels come with one support bar.

EXTRAS

End Panels - Frosted Glass

Size	Adjustment	Code	£ Ex VAT	£ Inc VAT
300mm end panel	272-290mm	58.029	264.00	316.80
500mm end panel	472-490mm	58.036	291.00	349.20
700mm end panel	672-690mm	58.033	321.00	385.20
760mm end panel	732-750mm	58.034	330.00	396.00
800mm end panel	772-790mm	58.035	340.00	408.00
900mm end panel	872-890mm	58.030	356.00	427.20

All panels come with one support bar.

Luxurious, easy to clean, contemporary framed enclosure in 6mm tempered safety glass, height 1850mm.

FEATURES

- 10 Year manufacturer's guarantee*
- Easy clean glass
- 6mm Tempered safety glass
- Frosted glass - also available in clear glass
- *With conditions



Note: wall bracket can be fitted at 90° or parallel to the glass.

EXTRAS

Volente Extras

Description	Code	£ Ex VAT	£ Inc VAT
Valliant Walkin support bar 900mm	58.369	69.00	82.80
Volente/Valliant ceiling support bar *	58.816	108.00	129.60

Flipper kit can be installed retrospectively. Not available in frosted.

Corniche Walk-In

CORNICHE WALK-IN



Corniche walk-in shower with side panel. 1950mm high with 8mm tempered safety glass (BS EN12150) and a 550mm opening. Front panel comes with wall fixing, end panel comes with connecting bar.

FEATURES

- Easy clean glass
- Top cover cap
- Trays available to match
- 8mm Tempered safety glass
- 10 Year manufacturer's guarantee*
- *With conditions

PANELS

Corniche 8mm Walk-In Panels

Size	Adjustment	Code	£ Ex VAT	£ Inc VAT
850 Front panel for 1400 tray	840-850mm	69.0116	422.00	506.40
950 Front panel for 1500 tray	940-950mm	69.0118	449.00	538.80
1150 Front panel for 1700 tray	1140-1150mm	69.0119	490.00	588.00
End panel for 700	690-700mm	69.0121	361.00	433.20
End panel for 760	750-760mm	69.0122	378.00	453.60
End panel for 800	790-800mm	69.0120	407.00	488.40

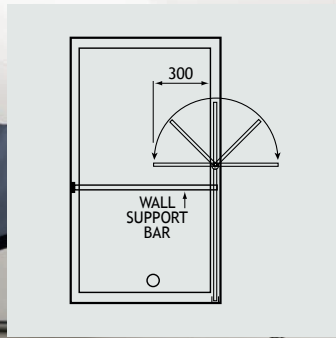


Vantage Walk-In

VANTAGE FLIPPER WALK-IN

Tempered Glass - 6mm 

1950 mm High 



These walk-in shower panels with hinged flipper panel are suitable for use in an alcove three sided situation without the side panel. They are 6mm tempered safety glass, with a flipper height of 1950mm, and allow a 600mm opening. Will fit all Eastbrook trays or a wet room situation.

FEATURES

- 10 Year manufacturer's guarantee*
- Easy clean glass
- 6mm Tempered safety glass
- *With conditions

PANELS

Vantage 8mm Walk-In Panels

Size	Adjustment	Code	£ Ex VAT	£ Inc VAT
600mm Front panel with flipper for 1200 tray*	580-600mm	69.0129	612.00	734.40
800mm Front panel with flipper for 1400 tray*	780-800mm	69.0130	647.00	776.40
900mm Front panel with flipper for 1500 tray*	880-900mm	69.0131	673.00	807.60
1100mm Front panel with flipper for 1700 tray*	1080-1100mm	69.0132	712.00	854.40
700mm side panel	680-700mm	69.0135	213.00	255.60
760mm side panel	740-760mm	69.0136	223.00	267.60
800mm side panel	780-800mm	69.0133	327.00	392.40
900mm side panel	880-900mm	69.0134	343.00	411.60



Vantage Walk-In

VANTAGE 2000 | 6MM WALK-IN PANEL - CHROME



Tempered Glass - 6mm



2000mm High



Pictured

49.1024 Walkin panel x1

These walk-in (all sizes) shower panels are suitable for use in an alcove three sided situation without the second walk-in panel. They are 6mm tempered safety glass, with an overall height of 2000mm. Will fit all Eastbrook trays or a wet room situation and comes with a support bar.

FEATURES

• 10 Year manufacturer's guarantee* • Easy clean glass • 2000mm Height • 6mm Tempered safety glass • Fully concealed fixings *With conditions

PANELS

Vantage 2000 - 6mm Walk-In Panels

Size	Adjustment	Code	£ Ex VAT	£ Inc VAT
Vantage 2000 6mm walkin panel 300 x 2000	275 - 290mm	49.1018	145.00	174.00
Vantage 2000 6mm walkin panel 500 x 2000	475 - 490mm	49.1019	191.00	229.20
Vantage 2000 6mm walkin panel 700 x 2000	675 - 690mm	49.1020	235.00	282.00
Vantage 2000 6mm walkin panel 760 x 2000	735 - 750mm	49.1021	251.00	301.20
Vantage 2000 6mm walkin panel 800 x 2000	775 - 790mm	49.1022	257.00	308.40
Vantage 2000 6mm walkin panel 900 x 2000	875 - 890mm	49.1023	279.00	334.80
Vantage 2000 6mm walkin panel 1000 x 2000	975 - 990mm	49.1024	311.00	373.20
Vantage 2000 6mm walkin panel 1200 x 2000	1175 - 1190mm	49.1026	355.00	426.00

Vantage 2000 Walk-In

VANTAGE 2000 | 8MM WALK-IN PANEL - CHROME



Pictured

49.1037 Walkin panel x1



Pictured

49.1034 Walkin panel x1
49.1093 Flipper panel x1
49.1035 Walkin panel x1
49.1098 T-Piece connector

Create a full Vantage 2000 chrome enclosure space by adding an 8mm flipper panel and another two walk-in panels (right hand image). All panels are 8mm tempered safety glass, with a flipper height of 2000mm. Suitable for all Eastbrook trays or wet floor systems and comes with a support bar.

FEATURES

- 10 Year manufacturer's guarantee*
- Easy clean glass
- 2000mm Height
- 8mm Tempered safety glass
- Fully concealed fixings
- *With conditions

PANELS

Vantage 2000 | 8mm Walk-In Panels - Chrome

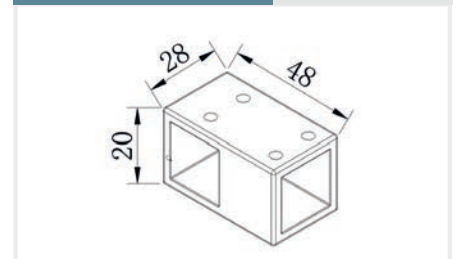
Size	Adjustment	Code	£ Ex VAT	£ Inc VAT
Vantage 2000 8mm walkin panel 300 x 2000	275 - 290mm	49.1030	148.00	177.60
Vantage 2000 8mm walkin panel 500 x 2000	475 - 490mm	49.1031	206.00	247.20
Vantage 2000 8mm walkin panel 700 x 2000	675 - 690mm	49.1032	258.00	309.60
Vantage 2000 8mm walkin panel 760 x 2000	735 - 750mm	49.1033	277.00	332.40
Vantage 2000 8mm walkin panel 800 x 2000	775 - 790mm	49.1034	283.00	339.60
Vantage 2000 8mm walkin panel 900 x 2000	875 - 890mm	49.1035	308.00	369.60
Vantage 2000 8mm walkin panel 1000 x 2000	975 - 990mm	49.1036	344.00	412.80
Vantage 2000 8mm walkin panel 1100 x 2000	1075 - 1090mm	49.1037	369.00	442.80
Vantage 2000 8mm walkin panel 1200 x 2000	1175 - 1190mm	49.1038	394.00	472.80
Vantage 2000 8mm walkin panel 1400 x 2000	1375 - 1390mm	49.1040	445.00	534.00
Vantage 2000 8mm walkin panel 1600 x 2000	1575 - 1590mm	49.1100	509.00	610.86

Accessories - Chrome

Size	Code	£ Ex VAT	£ Inc VAT
Vantage 2000 8mm flipper panel 300 x 2000	49.1093	135.00	162.00
Vantage 2000 T-Piece Connector (Chrome)	49.1098	10.00	12.00



49.1098 T-Piece connector



Vantage 2000 Walk-In

VANTAGE 2000 | 8MM WALK-IN PANEL - MATT BLACK



Pictured
49.1037 Walkin panel x1



Pictured
49.1058 Walkin panel x1
49.1094 Flipper panel x1
49.1059 Walkin panel x1
49.1097 T-piece connector

Create a full Vantage 2000 matt black enclosure space by adding an 8mm flipper panel and another two walk-in panels (right hand image). All panels are 8mm tempered safety glass, with a flipper height of 2000mm. Suitable for all Eastbrook trays or wet floor systems and comes with a support bar.

FEATURES

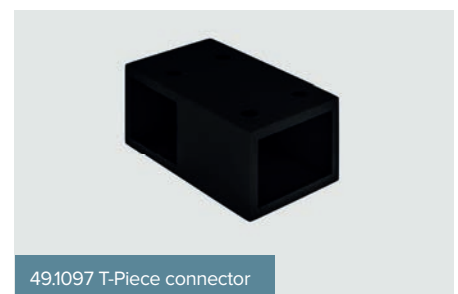
- 10 Year manufacturer's guarantee* With conditions
- Easy clean glass
- 2000mm Height
- 8mm Tempered safety glass
- Fully concealed fixings
- Anodized Matt Black finish

PANELS

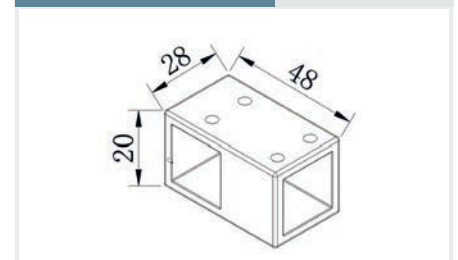
Vantage 2000 8mm Walk-In Panels - Matt Black				
Size	Adjustment	Code	£ Ex VAT	£ Inc VAT
Vantage 2000 8mm walkin panel 300 x 2000	275 - 290mm	49.1054	154.00	184.80
Vantage 2000 8mm walkin panel 500 x 2000	475 - 490mm	49.1055	206.00	247.20
Vantage 2000 8mm walkin panel 700 x 2000	675 - 690mm	49.1056	258.00	309.60
Vantage 2000 8mm walkin panel 760 x 2000	735 - 750mm	49.1057	277.00	332.40
Vantage 2000 8mm walkin panel 800 x 2000	775 - 790mm	49.1058	283.00	339.60
Vantage 2000 8mm walkin panel 900 x 2000	875 - 890mm	49.1059	308.00	369.60
Vantage 2000 8mm walkin panel 1000 x 2000	975 - 990mm	49.1060	344.00	412.80
Vantage 2000 8mm walkin panel 1100 x 2000	1075 - 1090mm	49.1061	369.00	442.80
Vantage 2000 8mm walkin panel 1200 x 2000	1175 - 1190mm	49.1062	394.00	472.80
Vantage 2000 8mm walkin panel 1400 x 2000	1375 - 1390mm	49.1064	445.00	534.00
Vantage 2000 8mm walkin panel 1600 x 2000	1575 - 1590mm	49.1099	509.00	610.86

Accessories - Matt Black

Size	Code	£ Ex VAT	£ Inc VAT
Vantage 2000 8mm flipper panel 300 x 2000	49.1094	141.00	169.20
Vantage 2000 T-Piece connector (Matt Black)	49.1097	10.00	12.00



49.1097 T-Piece connector



Vantage 2000 Walk-In

VANTAGE 2000 | 8MM FRAMED WALK-IN PANEL - MATT BLACK



Tempered Glass - 8mm 

2000mm High 

Pictured

49.1085 Walkin panel x1

The 8mm Framed Walk-in panels are suitable for use either in an alcove situation with one panel, or in a corner solution by adding a second walk in panel. Will fit all Eastbrook trays of the appropriate size, and can also be used in a wet room situation.

FEATURES

- 10 Year manufacturer's guarantee*
- Easy clean glass
- 8mm Tempered safety glass
- Fully concealed fixings
- Anodized Matt Black finish
- *With conditions

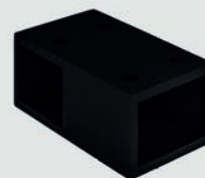
PANELS

Vantage 2000 - 8mm Framed Walk-In Panels

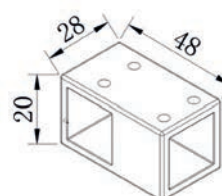
Size	Adjustment	Code	£ Ex VAT	£ Inc VAT
Vantage 2000 8mm Matt black framed walkin panel 300 x 2000	275 - 290	49.1079	163.00	195.60
Vantage 2000 8mm Matt black framed walkin panel 500 x 2000	475 - 490	49.1080	222.00	266.40
Vantage 2000 8mm Matt black framed walkin panel 700 x 2000	675 - 690	49.1081	279.00	334.80
Vantage 2000 8mm Matt black framed walkin panel 760 x 2000	735 - 750	49.1082	299.00	358.80
Vantage 2000 8mm Matt black framed walkin panel 800 x 2000	775 - 790	49.1083	307.00	368.40
Vantage 2000 8mm Matt black framed walkin panel 900 x 2000	875 - 890	49.1084	335.00	402.00
Vantage 2000 8mm Matt black framed walkin panel 1000 x 2000	975 - 990	49.1085	372.00	446.40
Vantage 2000 8mm Matt black framed walkin panel 1100 x 2000	1075 - 1090	49.1086	401.00	481.20
Vantage 2000 8mm Matt black framed walkin panel 1200 x 2000	1175 - 1190	49.1087	429.00	514.80
Vantage 2000 8mm Matt black framed walkin panel 1400 x 2000	1375 - 1390	49.1089	486.00	583.20

Accessories - Matt Black

Size	Code	£ Ex VAT	£ Inc VAT
Vantage 2000 T-Piece connector (Matt Black)	49.1097	10.00	12.00



49.1097 T-Piece connector



Vantage 2000 Walk-In

VANTAGE 2000 | 8MM FRAMED WALK-IN PANEL - MATT BLACK



Pictured

49.1086 Walkin panel x1, 49.1084 Walkin panel x1 & 46.1097 T-Piece

Valliant Walk-In

VALLIANT ROUND POLE WALK-IN



Tempered Glass - 8mm 

1950 mm High 

Round Pole

VALLIANT SQUARE POLE WALK-IN



Tempered Glass - 8mm 

1950 mm High 

Square Pole

The Valliant Walk In with ceiling fixing pole. This range does away with the intrusive overhead wall bars and fixes straight up to the ceiling. Shown in a wet room situation but can also be fitted with a shower tray. Suitable for ceiling heights of up to 2500mm.

FEATURES

- 10 Year manufacturer's guarantee*
- 8mm Tempered safety glass
- Easy clean glass
- Polished Chrome
- *With conditions

Valliant Round Pole Walk-In Panels

Size	Adjustment	Code	£ Ex VAT	£ Inc VAT
500mm Front panel	490-500mm	69.0047	344.00	412.80
700mm Front panel	690-700mm	69.0048	367.00	440.40
760mm Front panel	750-760mm	69.0049	373.00	447.60
800mm Front panel	790-800mm	69.0050	379.00	454.80
900mm Front panel	890-900mm	69.0051	391.00	469.20
1000mm Front panel	990-1000mm	69.0052	411.00	493.20
1200mm Front panel	1190-1200mm	69.0053	434.00	520.80
1400mm Front panel	1390-1400mm	69.0054	448.00	537.60

PANELS

Valliant Square Pole Walk-In Panels

Size	Adjustment	Code	£ Ex VAT	£ Inc VAT
500mm Front panel	490-500mm	69.0039	340.00	408.00
700mm Front panel	690-700mm	69.0040	362.00	434.40
760mm Front panel	750-760mm	69.0041	370.00	444.00
800mm Front panel	790-800mm	69.0042	376.00	451.20
900mm Front panel	890-900mm	69.0043	387.00	464.40
1000mm Front panel	990-1000mm	69.0044	401.00	481.20
1200mm Front panel	1190-1200mm	69.0045	432.00	518.40
1400mm Front panel	1390-1400mm	69.0046	444.00	532.80

EXTRAS

Accessories

Description	Code	£ Ex VAT	£ Inc VAT
Flipper for Straight Square Pole 300 x 1950mm Silver	69.0155	261.00	313.20



Now available with flipper

Valliant Walk-In

VALLIANT ROUND POLE WALK-IN WITH HAND HOLD

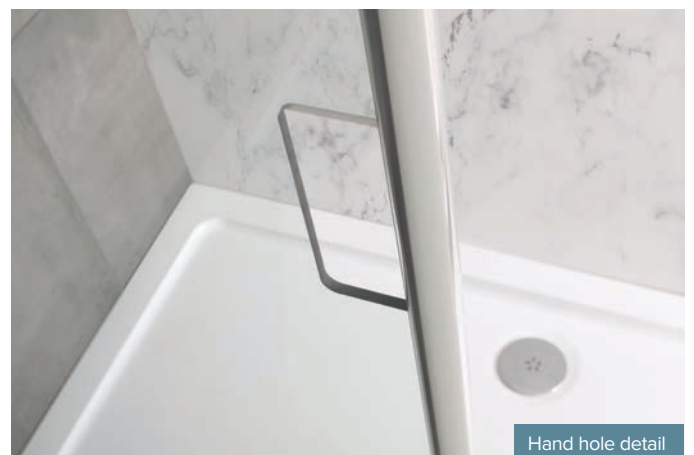


FEATURES

- Suitable for ceiling heights of up to 3350mm
 - 8mm tempered safety glass
 - Easy clean glass
 - 10 year manufacturers guarantee*
- *With conditions

Valliant Round Pole Walk-In with Hand Hold

Size	Adjustment	Code	£ Ex VAT	£ Inc VAT
800mm Valliant	780-800mm	58.831	299.00	358.80
900mm Valliant	880-900mm	58.832	322.00	386.40
1000mm Valliant	980-1000mm	58.833	344.00	412.80
1200mm Valliant	1180-1200mm	58.834	388.00	465.60



Hand hold detail

Valliant Walk-In

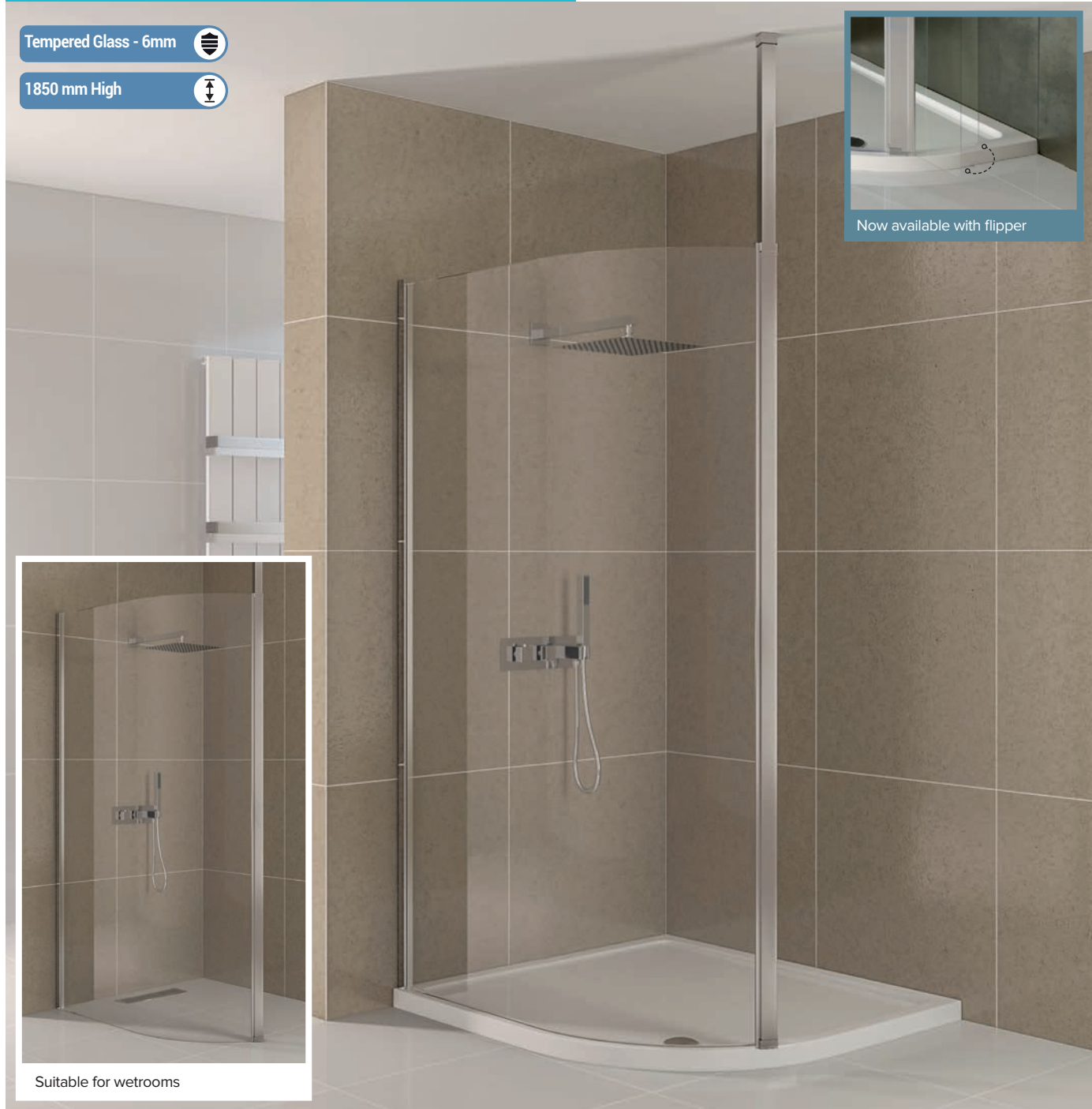
VALLIANT SQUARE POLE WALK-IN OFFSET

Tempered Glass - 6mm 

1850 mm High 



Now available with flipper



Suitable for wetrooms

PANELS				
Valliant Square Pole Walk-In Panels				
Size	Adjustment	Code	£ Ex VAT	£ Inc VAT
1000mm Offset panel	990-1000mm	69.0149	586.00	703.20
1100mm Offset panel	1090-1100mm	69.0150	622.00	746.40
1200mm Offset panel	1190-1200mm	69.0151	667.00	800.40
1300mm Offset panel	1290-1300mm	69.0152	696.00	835.20
1400mm Offset panel	1390-1400mm	69.0153	736.00	883.20

All panel sizes are suitable for all tray widths

EXTRAS				
Accessories				
Description	Code	£ Ex VAT	£ Inc VAT	
Flipper for Offset Square Pole 300 x 1850mm Silver	69.0156	244.00	292.80	

The Valliant Walk In with ceiling fixing pole. This range does away with the need for intrusive overhead wall bars and fixes straight up to the ceiling. Suitable for ceiling heights of up to 2500mm. 6mm tempered safety glass, height 1850mm. Now available with 300mm flipper.

- FEATURES**
- 10 Year manufacturer's guarantee*
 - 6mm Tempered safety glass
 - Easy clean glass
 - Polished Chrome
 - *With conditions

Tray Width	Openings
700mm	400mm
760mm	460mm
800mm	500mm
900mm	600mm

NB Approximate, openings will vary depending on tray position/position of enclosure on tray/thickness of tiles. Opening is dependent on tray width not length. Refer to page 441 for available tray sizes.

Valliant Walk-In

VALLIANT ROUND POLE WALK-IN OFFSET

Tempered Glass - 6mm



1850 mm High



Suitable for wetrooms

PANELS

Valliant Round Pole Walk-In Panels

Size	Adjustment	Code	£ Ex VAT	£ Inc VAT
1000mm Offset panel	990-1000mm	69.0144	588.00	705.60
1100mm Offset panel	1090-1100mm	69.0145	626.00	751.20
1200mm Offset panel	1190-1200mm	69.0146	664.00	796.80
1300mm Offset panel	1290-1300mm	69.0147	700.00	840.00
1400mm Offset panel	1390-1400mm	69.0148	737.00	884.40

All panel sizes are suitable for all tray widths

The Valliant Walk In with ceiling fixing pole. This range does away with the need for intrusive overhead wall bars and fixes straight up to the ceiling. Suitable for ceiling heights of up to 2500mm. 6mm tempered safety glass, height 1850mm.

FEATURES

- 10 Year manufacturer's guarantee*
- 6mm Tempered safety glass
- Easy clean glass
- Polished Chrome
- *With conditions

Tray Width	Openings
700mm	400mm
760mm	460mm
800mm	500mm
900mm	600mm

NB Approximate, openings will vary depending on tray position/position of enclosure on tray/thickness of tiles. Opening is dependant on tray width not length. Refer to page 441 for available tray sizes.

Biava Wet Floor System

BIAVA WET FLOOR

This product enables you to have a bathroom with a showering area at the same level as the rest of the room giving the benefit of complete level access. It is especially helpful for wheelchair users, the elderly and children. This affordable system incorporates the optimum gradient, drainage and waterproofing all in one package.

The product is able to incorporate benefits such as stylish and elegant designs, flexibility, ease of cleaning, level access, low maintenance with an amazing wow factor and rarely takes more than half a day to install. This proven system comes from a manufacturer with over 300,000 installations, available now through the Eastbrook Biava Brand, with its excellent backup and customer service. It will complement the eastbrook range of walk-in panels.



Frequently asked questions about the floor former:

What is a floor former?

A floor former is often mistaken for a shower tray but it is not, in fact it is a preformed floor base with a built in gradient. Its purpose is to offer a simple means of forming the gradient within the construction of either existing or new floors. On completion the floor former will be completely covered with tiles, with only the Stainless Steel Grate visible.

Does it have to be sunk into the floor?

The floor former has been designed to be recessed to a flush finish with the prepared floor. In circumstances where the floor cannot be breached the entire floor can be raised to accommodate the floor former.

How thick is it?

The floor former is 30mm thick.

Is it available in different sizes?

There are 4 different sizes:
1000mm x 1000mm
1200mm x 900mm
1400mm x 933mm
1600mm x 1067mm

Does it need to be fitted level?

It is extremely important that the floor former is fitted level. This is easily checked by placing a spirit level on the perimeter of both sides of the former. Because the gradient is built into the floor former it will only function

properly if it is level around its perimeter.

How is the floor drain fitted?

The gully flange fits into the rebate making the top of the gully flange a flush fit with the surface of the floor former.

Is the gully cleanable from the top?

Yes, the gully is accessible from above meaning it can be cleaned without removing the entire drain. This is achieved by the removal of the grating or covers, followed by the dip tube, allowing easy access to the sump of the trap for cleaning.

What about different thicknesses of tiles?

To compensate for different thicknesses of tile the gully has a height adjustable ring which can take a tile thickness of between 6mm-16mm. Also included is a 10mm extension ring to increase the height up to 26mm if required.

What if there is a joist in the way of the gully?

The former has been designed with the waste off centre so that if a joist is in the way of the gully the floor former can be rotated either 90 or 180 degrees, which in most cases will reposition the gully away from the joist. A joist must never be notched or cut to allow installation of the trap.

Can it be fitted in timber floors?

Yes, the floor former is designed to be installed

into timber floors. Please refer to the full installation instructions.

Can it be fitted in screeded or concrete floors?

Yes, the floor former can be installed into screeded or concrete floors. Please refer to the separate installation instructions available on request. Special care should be taken in this instance to avoid any obstructions such as cables or pipe work installed under the floor.

Can it be used with underfloor heating?

Yes, it is suitable for all types of underfloor heating.

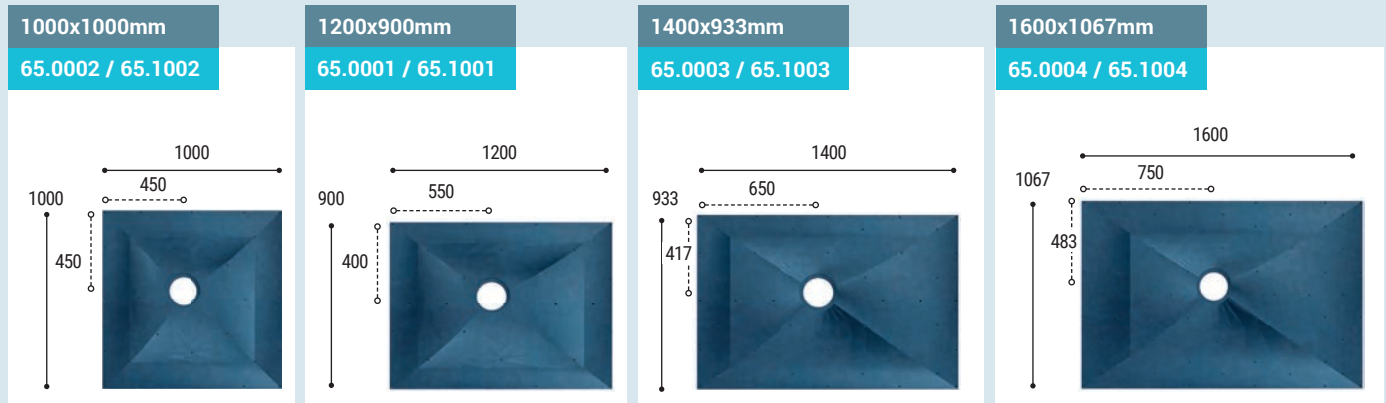


Biava Wet Floor System

THE EASTBROOK BIAVA WET FLOOR SYSTEM CONSISTS OF:

The Biava Floor Former

There are several sizes of lightweight easy-to-install floor formers with 100% rigidity and a consistent 1:40 gradient. These formers feature a unique four way floor design giving the benefits of clear linear finish and very high flow rate of water to the drainage waste. They are also designed to fit on both timber joisted floors and concrete floors



FLOOR FORMERS WITH STANDARD WASTE*

Accessories			
Description	Code	£ Ex VAT	£ Inc VAT
Biava floor former 1200mm x 900mm inc waste	65.0001	692.00	830.40
Biava floor former 1000mm x 1000mm inc waste	65.0002	731.00	877.20
Biava floor former 1400mm x 933mm inc waste	65.0003	799.00	958.80
Biava floor former 1600mm x 1067mm inc waste	65.0004	865.00	1038.00

*Floor formers cannot be cut down

FLOOR FORMERS WITH VINYL WASTE*

Accessories			
Description	Code	£ Ex VAT	£ Inc VAT
Biava floor former 1200mm x 900mm inc vinyl waste	65.1001	830.00	996.00
Biava floor former 1000mm x 1000mm inc vinyl waste	65.1002	868.00	1041.60
Biava floor former 1400mm x 933mm inc vinyl waste	65.1003	938.00	1125.60
Biava floor former 1600mm x 1067mm inc vinyl waste	65.1004	1001.00	1201.20

*Floor formers cannot be cut down

DRAINAGE WASTE

The shower waste drainage system is fully adjustable and flexible for those awkward joist situations that add so much installation time with other systems.

The waste is adjustable to take tiles from 6 - 26mm. There is also an alternative solution for Vinyl floors.

Waste efficiency decreases when shower head is positioned directly above waste.

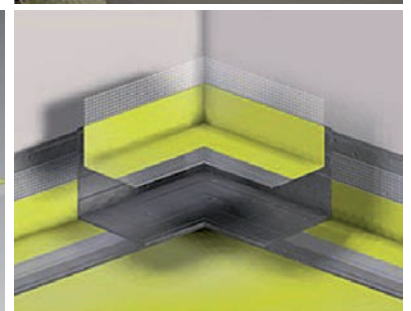
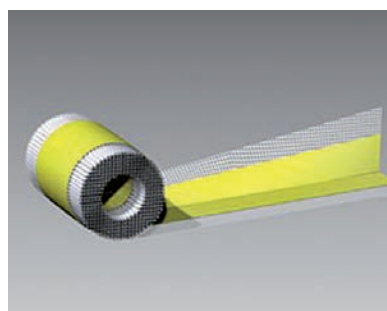


BIAVA 5M² MEMBRANE/TANKING KIT

The waterproof tanking kit is quick and easy to install and acts as a key for the tile adhesive as well as being the water proof barrier. Can be bought and used separately to waterproof any bathroom without the need to use a floor former. With some quick set adhesives, tiling can begin almost immediately.

FEATURES

- Quick & easy to install
- 5 metre kit includes joint tape, 4 internal corners and 1 external corner
- 10 year warranty



MEMBRANE / TANKING KIT

Accessories			
Description	Code	£ Ex VAT	£ Inc VAT
Biava 5m2 Membrane kit	65.0005	348.00	417.60

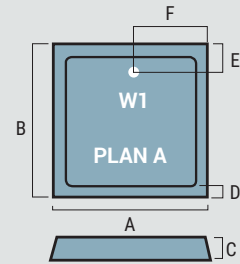
NB Drainage waste is included with the Biava floor former.

Volente Trays

VOLENTE SQUARE SHOWER TRAYS



Panels/plinths can only be fitted as illustrated



Acrylic Sheet



Stone Resin

TRAYS

Square Volente Tray

Size	Plan	Waste Position	Waste Size	A	B	C	D	E	F	Code	£ Ex VAT	£ Inc VAT
700 x 700	A	W1	90	700	700	40	65	190	350	158.651	157.00	188.40
760 x 760	A	W1	90	760	760	40	65	190	380	158.050	175.00	210.00
800 x 800	A	W1	90	800	800	40	65	190	400	158.051	189.00	226.80
900 x 900	A	W1	90	900	900	40	65	190	450	158.052	208.00	249.60
1000 x 1000	A	W1	90	1000	1000	40	65	190	500	158.053	255.00	306.00
1100 x 1100	A	W1	90	1100	1100	40	65	190	550	158.691	284.00	340.80
1200 x 1200	A	W1	90	1200	1200	40	65	190	600	158.692	305.00	366.00

Waste sold separately.

EXTRAS

Legs, Panel Packs & Seal Strip

Description	Code	£ Ex VAT	£ Inc VAT
Volente legs & panels for up to 1200x1200 rectangular trays	158.080	80.00	96.00
1200 Tray Panel - only for three sided installation	158.682	33.00	39.60
2.8m Flexi Versatile Sealstrip	30.5012	19.00	22.80
Flexible waste pipe	30.400B	17.00	20.40

Panel height 95mm, adjustable legs 85-105mm. *Does not include flexible waste pipe (30.400B)

Chrome Shower Waste

Description	Code	£ Ex VAT	£ Inc VAT
Mega flow shower waste	12.040	26.00	31.20
Volente Luxury Shower Waste Chrome	41.5000	31.00	37.20

Waste efficiency decreases when shower head is positioned directly above waste.



A versatile range of trays that combines the durability and warmth of an acrylic top surface with the rigidity and solid feel of stone resin. Can be installed using the appropriate leg and panel pack for even greater ease of fitting.

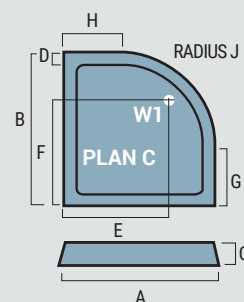
FEATURES

- 40% Lighter than a high wall stone resin tray
- Reinforced high strength resin marble material
- Made with WRAS approved resins

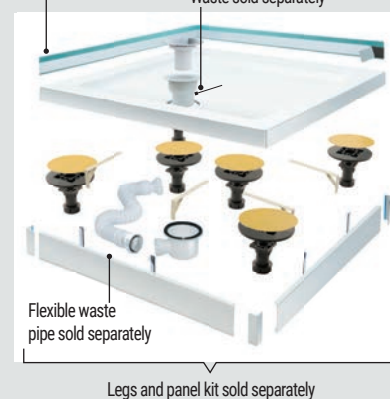
Volente Trays

VOLENTE QUADRANT SHOWER TRAYS

Shown below with legs and panel pack, seal strip, flexible waste pipe and waste, which are all sold separately.



Flexible seal strip sold separately
Waste sold separately



TRAYS

Quadrant Volente Tray

Size	Plan	Waste	Waste	A	B	C	D	E	F	G	H	J	Code	£ Ex VAT	£ Inc VAT
		Position	Size												
800 x 800	C	W1	90	800	800	40	65	500	500	250	250	550	158.062	184.00	220.80
900 x 900	C	W1	90	900	900	40	65	600	600	350	350	550	158.063	213.00	255.60
1000 x 1000	C	W1	90	1000	1000	40	65	700	700	450	450	550	158.064	252.00	302.40

Waste sold separately.

EXTRAS

Legs, Panel Packs & Seal Strip

Description	Code	£ Ex VAT	£ Inc VAT
Volente legs & panel quad trays up to 1200 x 900	158.081	80.00	96.00
Volente legs & panel for quad trays over 1200	158.085	97.00	116.40
2.8m Flexi Versatile Sealstrip	30.5012	19.00	22.80
Flexible waste pipe	30.400B	17.00	20.40

Panel height 95mm, adjustable legs 85-105mm. *Does not include flexible waste pipe (30.400B)

Chrome Shower Waste

Description	Code	£ Ex VAT	£ Inc VAT
Mega flow shower waste	12.040	26.00	31.20
Volente Luxury Metal Chrome Shower Waste Chrome	41.5000	31.00	37.20

Waste efficiency decreases when shower head is positioned directly above waste.

FEATURES

- 40% Lighter than a high wall stone resin tray
- Reinforced high strength resin marble material
- Made with WRAS approved resins

Volente Trays

VOLENTE ANTI SLIP RECTANGULAR SHOWER TRAYS



Standard Volente Tray shown above. Prices right >>
Same shape as Volente Anti Slip Trays below.

TRAYS

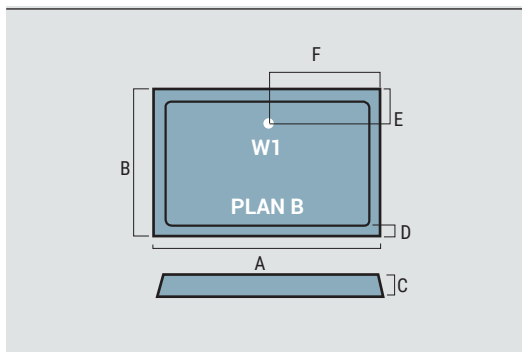
Volente Anti Slip ABS Stone Resin Trays

Size	Plan	Waste Position	Waste Size	A	B	C	D	E	F	Code	£ Ex VAT	£ Inc VAT
1200 x 800	B	W1	90	1200	800	40	65	190	600	158.718	356.00	427.20
1200 x 900	B	W1	90	1200	900	40	65	190	600	158.719	361.00	433.20
1300 x 800	B	W1	90	1300	800	40	65	190	600	158.720	374.00	448.80
1400 x 800	B	W1	90	1400	800	40	65	190	700	158.721	414.00	496.80
1400 x 900	B	W1	90	1400	900	40	65	190	700	158.722	451.00	541.20
1500 x 800	B	W1	90	1500	800	40	65	190	750	158.723	488.00	585.60
1600 x 800	B	W1	90	1600	800	40	65	190	800	158.724	477.00	572.40
1700 x 700	B	W1	90	1700	700	40	65	350	190	158.726	477.00	572.40
1700 x 800	B	W1	90	1700	800	40	65	190	850	158.725	497.00	596.40
1800 x 800	B	W1	90	1800	800	40	65	190	900	158.727	520.00	624.00
1800 x 900	B	W1	90	1800	900	40	65	190	900	158.728	535.00	642.00

Waste sold separately.

FEATURES

- 40% Lighter than a high wall stone resin tray
- Reinforced high strength resin marble material
- Made with WRAS approved resins
- Anti slip base



Anti Slip Base



*Subject to cleaning conditions

EXTRAS

Legs, Panel Packs & Seal Strip

Description	Code	£ Ex VAT	£ Inc VAT
Volente legs & panels for up to 1200x1200 rect trays*	158.080	80.00	96.00
Volente legs & panels for up to 2000x900 rect trays	158.082	116.00	139.20
1200 Tray Panel only for three sided installation	158.682	33.00	39.60
2.8m Flexi Versatile Sealstrip	30.5012	19.00	22.80
Flexible waste pipe White	30.400B	17.00	20.40

Panel height 95mm, adjustable legs 85-105mm.

*Does not include flexible waste pipe (30.400B)

EXTRAS

Chrome Shower Waste

Description	Code	£ Ex VAT	£ Inc VAT
Mega flow shower waste	12.040	26.00	31.20
Volente Luxury Metal Chrome Shower Waste Chrome	41.5000	31.00	37.20

Waste efficiency decreases when shower head is positioned directly above waste.

Volente Trays

TRAYS

Rectangular Volente Tray

Size	Plan	Waste Position	Waste Size	A	B	C	D	E	F	Code	£ Ex VAT	£ Inc VAT
800 x 700	B	W1	90	800	700	40	65	190	400	158.680	178.00	213.60
800 x 760	B	W1	90	800	760	40	65	190	400	158.681	178.00	213.60
800 x 900	B	W1	90	900	800	40	65	190	450	158.055	218.00	261.60
800 x 1000	B	W1	90	1000	800	40	65	190	500	158.056	228.00	273.60
900 x 700	B	W1	90	900	700	40	65	190	450	158.624	205.00	246.00
900 x 760	B	W1	90	900	760	40	65	190	450	158.054	208.00	249.60
900 x 800	B	W1	90	900	800	40	65	190	450	158.055	218.00	261.60
900 x 1000	B	W1	90	1000	900	40	65	190	500	158.628	240.00	288.00
1000 x 700	B	W1	90	1000	700	40	65	190	500	158.625	220.00	264.00
1000 x 760	B	W1	90	1000	760	40	65	190	500	158.627	223.00	267.60
1000 x 800	B	W1	90	1000	800	40	65	190	500	158.056	228.00	273.60
1000 x 900	B	W1	90	1000	900	40	65	190	500	158.628	240.00	288.00
1100 x 700	B	W1	90	1100	700	40	65	190	550	158.629	240.00	288.00
1100 x 760	B	W1	90	1100	760	40	65	190	550	158.630	240.00	288.00
1100 x 800	B	W1	90	1100	800	40	65	190	550	158.057	240.00	288.00
1100 x 900	B	W1	90	1100	900	40	65	190	550	158.631	255.00	306.00
1200 x 700	B	W1	90	1200	700	40	65	190	600	158.632	240.00	288.00
1200 x 760	B	W1	90	1200	760	40	65	190	600	158.058	240.00	288.00
1200 x 800	B	W1	90	1200	800	40	65	190	600	158.059	255.00	306.00
1200 x 900	B	W1	90	1200	900	40	65	190	600	158.060	262.00	314.40
1300 x 700	B	W1	90	1300	700	40	65	190	650	158.683	261.00	313.20
1300 x 760	B	W1	90	1300	760	40	65	190	650	158.684	261.00	313.20
1300 x 800	B	W1	90	1300	800	40	65	190	650	158.685	273.00	327.60
1300 x 900	B	W1	90	1300	900	40	65	190	650	158.686	273.00	327.60
1400 x 700	B	W1	90	1400	700	40	65	190	700	158.633	305.00	366.00
1400 x 760	B	W1	90	1400	760	40	65	190	700	158.634	308.00	369.60
1400 x 800	B	W1	90	1400	800	40	65	190	700	158.635	308.00	369.60
1400 x 900	B	W1	90	1400	900	40	65	190	700	158.061	341.00	409.20
1500 x 700	B	W1	90	1500	700	40	65	190	750	158.636	339.00	406.80
1500 x 760	B	W1	90	1500	760	40	65	190	750	158.637	348.00	417.60
1500 x 800	B	W1	90	1500	800	40	65	190	750	158.638	358.00	429.60
1500 x 900	B	W1	90	1500	900	40	65	190	750	158.639	367.00	440.40
1600 x 700	B	W1	90	1600	700	40	65	190	800	158.675	354.00	424.80
1600 x 760	B	W1	90	1600	760	40	65	190	800	158.676	358.00	429.60
1600 x 800	B	W1	90	1600	800	40	65	190	800	158.678	348.00	417.60
1600 x 900	B	W1	90	1600	900	40	65	190	800	158.679	361.00	433.20
1650 x 700	B	W1	90	1650	700	40	65	190	800	158.701	374.00	448.80
1650 x 800	B	W1	90	1650	800	40	65	190	800	158.702	391.00	469.20
1700 x 700*	A	W2	90	1700	700	40	65	350	190	158.073	348.00	417.60
1700 x 750	B	W1	90	1700	750	40	65	190	850	158.640	361.00	433.20
1700 x 800	B	W1	90	1700	800	40	65	190	850	158.641	367.00	440.40
1700 x 900	B	W1	90	1700	900	40	65	190	850	158.642	373.00	447.60
1800 x 700	B	W1	90	1800	700	40	65	190	900	158.687	369.00	442.80
1800 x 760	B	W1	90	1800	760	40	65	190	900	158.688	381.00	457.20
1800 x 800	B	W1	90	1800	800	40	65	190	900	158.689	387.00	464.40
1800 x 900	B	W1	90	1800	900	40	65	190	900	158.690	399.00	478.80
2000 x 700	B	W1	90	2000	700	40	65	190	1000	158.703	402.00	482.40
2000 x 800	B	W1	90	2000	800	40	65	190	1000	158.704	404.00	484.80
2000 x 900	B	W1	90	2000	900	40	65	190	1000	158.705	406.00	487.20

*End of tray opposite waste has built-in drying area. Waste sold separately.

EXTRAS

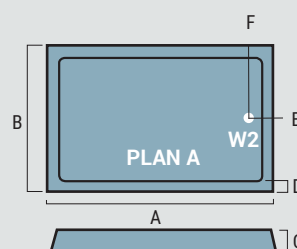
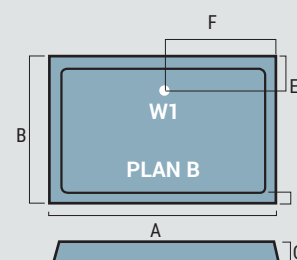
Legs, Panel Packs & Seal Strip

Description	Code	£ Ex VAT	£ Inc VAT
Volente legs & panels for up to 1200x1200 rect trays*	158.080	80.00	96.00
Volente legs & panels for up to 2000x900 rect trays	158.082	116.00	139.20
1200 Tray Panel only for three sided installation	158.682	33.00	39.60
2.8m Flexi Versatile Sealstrip	30.5012	19.00	22.80
Flexible waste pipe White	30.400B	17.00	20.40

Panel height 95mm, adjustable legs 85-105mm.

*Does not include flexible waste pipe (30.400B)

VOLENTE RECTANGULAR SHOWER TRAYS



A versatile range of trays that combines the durability and warmth of an acrylic top surface with the rigidity and solid feel of stone resin. Can be installed using the appropriate leg and panel pack for even greater ease of fitting.

FEATURES

- 40% Lighter than a high wall stone resin tray
- Reinforced high strength resin marble material
- Made with WRAS approved resins

EXTRAS

Chrome Shower Waste

Description	Code	£ Ex VAT	£ Inc VAT
Mega flow shower waste	12.040	26.00	31.20
Volente Luxury Metal Chrome Shower Waste Chrome	41.5000	31.00	37.20

Waste efficiency decreases when shower head is positioned directly above waste.

Volente Trays

VOLENTE OFFSET QUAD SHOWER TRAYS



Volente Trays

VOLENTE OFFSET QUAD SHOWER TRAYS

TRAYS

Offset Quadrant Volente Tray

Size	Plan	Hand	Waste Position	Waste Size	A	B	C	D	E	F	G	H	J	Code	£ Ex VAT	£ Inc VAT
900 x 700	D	L/H	W1	90	900	700	40	65	410	600	150	350	550	158.074	223.00	267.60
900 x 700	D	R/H	W1	90	900	700	40	65	410	600	150	350	550	158.075	223.00	267.60
900 x 760	D	L/H	W1	90	900	760	40	65	470	600	210	350	550	158.643	230.00	276.00
900 x 760	D	R/H	W1	90	900	760	40	65	470	600	210	350	550	158.644	230.00	276.00
900 x 800	D	L/H	W1	90	900	800	40	65	510	600	250	350	550	158.065	228.00	273.60
900 x 800	D	R/H	W1	90	900	800	40	65	510	600	250	350	550	158.066	228.00	273.60
1000 x 700	D	L/H	W1	90	1000	700	40	65	410	700	150	450	550	158.706	196.00	235.20
1000 x 700	D	R/H	W1	90	1000	700	40	65	410	700	150	450	550	158.707	196.00	235.20
1000 x 760	D	L/H	W1	90	1000	760	40	65	470	700	210	450	550	158.645	245.00	294.00
1000 x 760	D	R/H	W1	90	1000	760	40	65	470	700	210	450	550	158.646	245.00	294.00
1000 x 800	D	L/H	W1	90	1000	800	40	65	510	700	250	450	550	158.067	239.00	286.80
1000 x 800	D	R/H	W1	90	1000	800	40	65	510	700	250	450	550	158.068	239.00	286.80
1000 x 900	D	L/H	W1	90	1000	900	40	65	610	700	350	450	550	158.647	245.00	294.00
1000 x 900	D	R/H	W1	90	1000	900	40	65	610	700	350	450	550	158.648	245.00	294.00
1100 x 700	D	L/H	W1	90	1100	700	40	65	410	800	150	550	550	158.708	203.00	243.60
1100 x 700	D	R/H	W1	90	1100	700	40	65	410	800	150	550	550	158.709	203.00	243.60
1100 x 760	D	L/H	W1	90	1100	760	40	65	470	800	210	550	550	158.710	203.00	243.60
1100 x 760	D	R/H	W1	90	1100	760	40	65	470	800	210	550	550	158.711	203.00	243.60
1100 x 800	D	L/H	W1	90	1100	800	40	65	510	800	250	550	550	158.712	203.00	243.60
1100 x 800	D	R/H	W1	90	1100	800	40	65	510	800	250	550	550	158.713	203.00	243.60
1100 x 900	D	L/H	W1	90	1100	900	40	65	610	800	350	550	550	158.714	223.00	267.60
1100 x 900	D	R/H	W1	90	1100	900	40	65	610	800	350	550	550	158.715	223.00	267.60
1200 x 700	D	L/H	W1	90	1200	700	40	65	410	900	150	650	550	158.716	218.00	261.60
1200 x 700	D	R/H	W1	90	1200	700	40	65	410	900	150	650	550	158.717	218.00	261.60
1200 x 760	D	L/H	W1	90	1200	760	40	65	470	900	210	650	550	158.649	245.00	294.00
1200 x 760	D	R/H	W1	90	1200	760	40	65	470	900	210	650	550	158.650	245.00	294.00
1200 x 800	D	L/H	W1	90	1200	800	40	65	510	900	250	650	550	158.069	264.00	316.80
1200 x 800	D	R/H	W1	90	1200	800	40	65	510	900	250	650	550	158.070	264.00	316.80
1200 x 900	D	L/H	W1	90	1200	900	40	65	610	900	350	650	550	158.071	273.00	327.60
1200 x 900	D	R/H	W1	90	1200	900	40	65	610	900	350	650	550	158.072	273.00	327.60
1300 x 760	D	L/H	W1	90	1300	760	40	65	470	1000	210	750	550	158.693	270.00	324.00
1300 x 760	D	R/H	W1	90	1300	760	40	65	470	1000	210	750	550	158.694	270.00	324.00
1300 x 800	D	L/H	W1	90	1300	800	40	65	510	1000	280	750	550	158.695	275.00	330.00
1300 x 800	D	R/H	W1	90	1300	800	40	65	510	1000	280	750	550	158.696	275.00	330.00
1400 x 760	D	L/H	W1	90	1400	760	40	65	470	1100	210	850	550	158.697	323.00	387.60
1400 x 760	D	R/H	W1	90	1400	760	40	65	470	1100	210	850	550	158.698	323.00	387.60
1400 x 800	D	L/H	W1	90	1400	800	40	65	510	1100	280	850	550	158.699	323.00	387.60
1400 x 800	D	R/H	W1	90	1400	800	40	65	510	1100	280	850	550	158.700	323.00	387.60

Waste sold separately.

EXTRAS

Legs, Panel Packs & Seal Strip

Description	Code	£ Ex VAT	£ Inc VAT
Volente legs & panel quad trays up to 1200 x 900	158.081	80.00	96.00
Volente legs & panel for quad trays over 1200	158.085	97.00	116.40
2.8m Flexi Versatile Sealstrip	30.5012	19.00	22.80
Flexible waste pipe White	30.400B	17.00	20.40

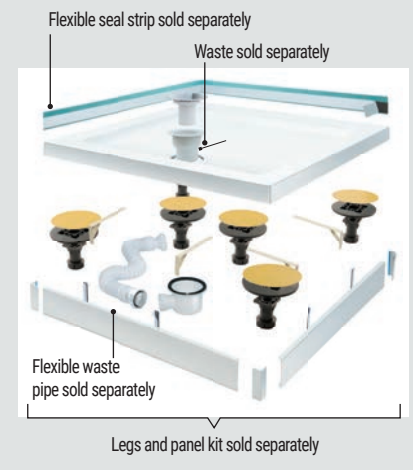
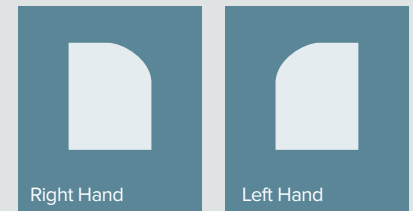
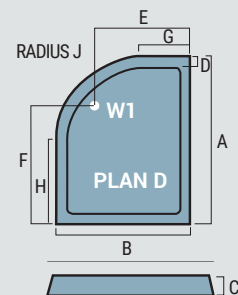
Panel height 95mm, adjustable legs 85-105mm. *Does not include flexible waste pipe (30.400B)

Chrome Shower Waste

Description	Code	£ Ex VAT	£ Inc VAT
Mega flow shower waste	12.040	26.00	31.20
Volente Luxury Metal Chrome Shower Waste Chrome	41.5000	31.00	37.20

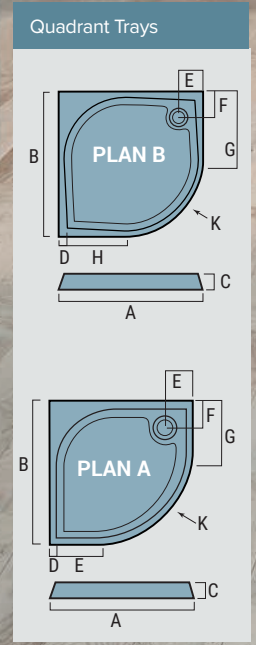
Waste efficiency decreases when shower head is positioned directly above waste.

Shown below with legs and panel pack, seal strip, flexible waste pipe and waste, which are all sold separately.



Vanguard Trays

VANGUARD 25 SHOWER TRAYS



A versatile range of trays that combines the durability and warmth of an acrylic top surface with the rigidity and solid feel of stone resin.

FEATURES

- Soft grip textured base
- Made of cast resin - 75% marble stone
- Repairable if chipped
- Easy clean surface

TRAYS

Quadrant Vanguard Tray															
Size	Plan	Waste Size	A	B	C	D	E	F	G	H	J	K	Code	£ Ex VAT	£ Inc VAT
800 x 800	A	STD	802	802	30	40	160	150	252	252	550	-	51.055	218.00	261.60
900 x 900	B	STD	902	902	30	40	-	172	352	352	550	60	51.057	270.00	324.00
1000 x 1000	B	STD	1002	1002	30	40	-	180	452	452	550	60	51.060	295.00	354.00

Waste sold separately.

Quadrant Trays



Safety

The Vanguard's outer white nanocoat surface is created with a soft grip texture; purposely designed for safety whilst showering.

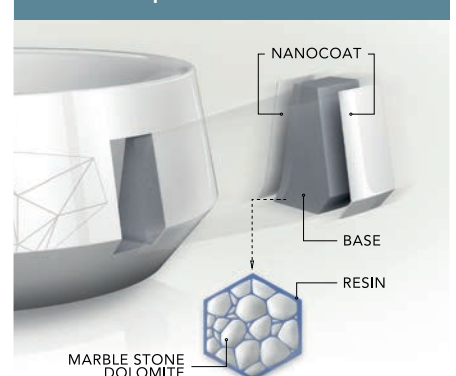
Quality

With just one touch you will feel the nature inherent within the Vanguard Tray ranges Mineral Composite. This material combination attains a whole new level of durability within the bathroom environment:

- 75% Marble Stone
- Compressed Resin Bond
- Nanocoat External Layer

By having the external white nanocoat surface, the Vanguard range has an insusceptibility to bacterial growth and absorption of water. This ensures a long lasting quality and ease of care

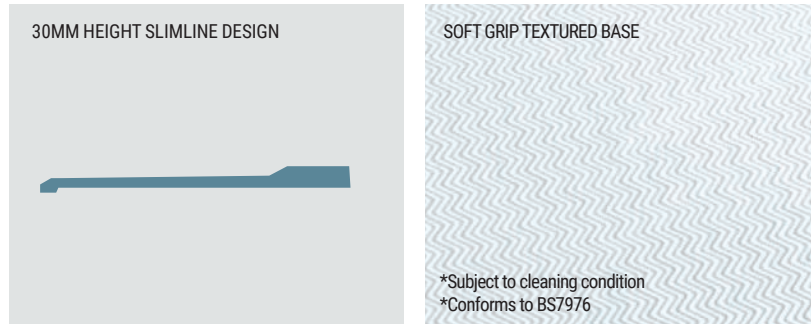
Mineral Composite Profile



Vanguard Trays

Design

The Mineral Composite enables an extensive range of shapes to be created and frees up the imagination of designers. With a 0-to-3mm tolerance and a minimum radius of 2mm, the Vanguard is precise by its very nature. Effortlessly elegant.



TRAYS												
Square Vanguard 25 Trays												
Size	Plan	Waste Position	Waste Size	A	B	C	D	E	F	Code	£ Ex VAT	£ Inc VAT
700 x 700	C	-	STD	702	702	30	40	150	150	51.052	179.00	214.80
800 x 800	C	-	STD	802	802	30	40	150	150	51.054	218.00	261.60
900 x 900	C	-	STD	900	900	30	40	180	180	51.056	270.00	324.00
1000 x 1000	C	-	STD	1002	994	30	40	150	150	51.061	295.00	354.00
Rectangular Vanguard 25 Trays												
Size	Plan	Waste Position	Waste Size	A	B	C	D	E	F	Code	£ Ex VAT	£ Inc VAT
800 x 760	D	W1	STD	802	762	30	40	151	151	51.071	223.00	267.60
900 x 700	E	W2	STD	902	702	30	40	451	351	51.053	212.00	254.40
900 x 800	D	W1	STD	902	802	30	40	151	151	51.072	257.00	308.40
1000 x 700	D	W1	STD	1002	702	30	40	151	151	51.058	240.00	288.00
1000 x 800	D	W1	STD	1002	802	30	40	151	151	51.059	261.00	313.20
1000 x 900	D	W1	STD	1002	902	30	40	151	151	51.073	295.00	354.00
1100 x 800	D	W1	STD	1102	802	30	40	151	151	51.074	292.00	350.40
1200 x 700	D	W1	STD	1202	702	30	40	151	151	51.062	278.00	333.60
1200 x 760	D	W1	STD	1202	762	30	40	151	151	51.075	295.00	354.00
1200 x 800	D	W1	STD	1202	802	30	40	151	151	51.063	294.00	352.80
1200 x 900	E	W2	STD	1202	902	30	40	601	451	51.064	312.00	374.40
1300 x 800	E	W2	STD	1302	802	30	40	651	401	51.076	333.00	399.60
1300 x 900	E	W2	STD	1302	902	30	40	651	451	51.077	361.00	433.20
1400 x 700	E	W2	STD	1402	702	30	40	701	351	51.078	321.00	385.20
1400 x 800	E	W2	STD	1402	802	30	40	701	401	51.065	327.00	392.40
1400 x 900	E	W2	STD	1402	902	30	40	701	451	51.066	387.00	464.40
1500 x 800	E	W2	STD	1502	802	30	40	751	401	51.079	373.00	447.60
1500 x 900	E	W2	STD	1502	902	30	40	751	451	51.080	415.00	498.00
1600 x 700	E	W2	STD	1602	702	30	40	801	351	51.081	337.00	404.40
1600 x 800	E	W2	STD	1602	802	30	40	801	401	51.067	392.00	470.40
1600 x 900	E	W2	STD	1602	902	30	40	801	451	51.068	456.00	547.20
1700 x 700	E	W2	STD	1702	702	30	40	851	351	51.082	423.00	507.60
1700 x 750	E	W2	STD	1702	752	30	40	851	376	51.083	439.00	526.80
1700 x 800	E	W2	STD	1702	802	30	40	851	401	51.069	431.00	517.20
1700 x 900	E	W2	STD	1702	902	30	40	851	451	51.084	521.00	625.20
1800 x 800	E	W2	STD	1802	802	30	40	901	401	51.070	503.00	603.60
1800 x 900	E	W2	STD	1802	902	30	40	901	451	51.085	578.00	693.60

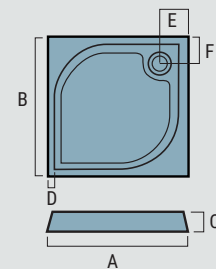
Waste sold separately.

EXTRAS			
Chrome Shower Waste			
Description	Code	£ Ex VAT	£ Inc VAT
Mega flow shower waste	12.040	26.00	31.20
Volente Luxury Metal Chrome Shower Waste Chrome	41.5000	31.00	37.20

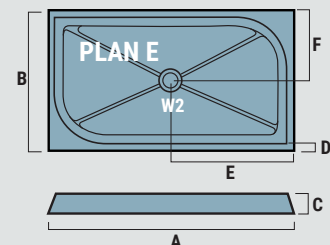
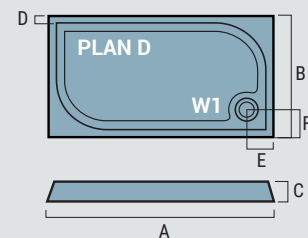
Waste efficiency decreases when shower head is positioned directly above waste. Please note that the Rectangular Vanguard 25 Trays are not compatible with leg & panel kits.

VANGUARD 25 SHOWER TRAYS

Square Trays



Rectangular Trays



Vantage Trays

VANTAGE SQUARE TRAYS



Square Tray - Plan A Shown

FEATURES

- All trays have a flat underside making installation and levelling even easier.
- Slimline, at 40-45 mm height they're among the sleekest on today's market.
- All trays are acrylic capped and constructed from a polyurethane resin mix.
- Light stone resin trays allows for easier handling and fitting, while still maintaining the strength of conventional trays.

TRAYS

Square Vantage Trays

Size	Plan	Waste Size External	Waste Size Internal	A	B	C	D	E	F	G	Code	£ Ex VAT	£ Inc VAT
700 x 700	A	116	90	700	700	40	60	140	140		48.1001	125.00	150.00
760 x 760	A	116	90	760	760	40	60	140	140		48.1002	132.00	158.40
800 x 800	A	112	90	800	800	40	60	140	140		48.1003	138.00	165.60
900 x 900	A	112	90	900	900	40	60	140	140		48.1007	168.00	201.60
1000 x 1000	A	112	90	1000	1000	40	60	140	140		48.1012	208.00	249.60

Extras

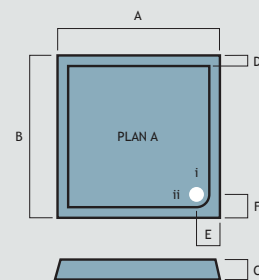
Legs, Panel Packs & Seal Strip

Description	Code	£ Ex VAT	£ Inc VAT
Vantage legs & panel for 700-900 square & rectangle trays	48.1061	54.00	64.80
Vantage legs & panel for 1000 square & rectangle trays	48.1062	60.00	72.00
Flexible waste pipe White	30.400B	17.00	20.40

Shower Wastes

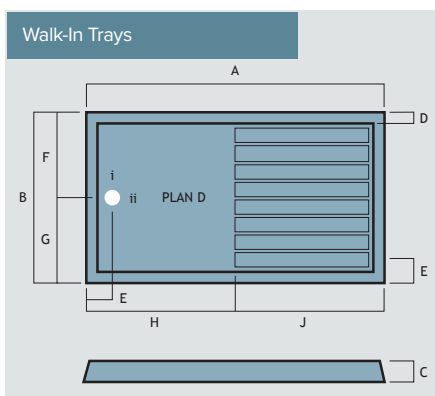
Description	Code	£ Ex VAT	£ Inc VAT
Vantage Shower Waste - Chrome	48.1067	24.00	28.80
Mega Flow Shower Waste 90mm - Matt Black	48.1068	26.00	31.20

Square Trays



Vantage Trays

VANTAGE WALK-IN TRAYS



FEATURES

- All trays have a flat underside making installation and levelling even easier.
- Slimline, at 40-45 mm height they're among the sleekest on today's market.
- All trays are acrylic capped and constructed from a polyurethane resin mix.
- Light stone resin trays allow for easier handling and fitting, while still maintaining the strength of conventional trays.

TRAYS

Walk-In Vantage Trays

Size	Plan	Waste Size External	Waste Size Internal	A	B	C	D	E	F	G	H	J	Code	£ Ex VAT	£ Inc VAT
1400 x 800	D	116	90	1400	800	40	65	190	400	400	773	627	48.1056	445.00	534.00
1400 x 900	D	116	90	1400	900	40	65	190	450	450	773	627	48.1057	382.00	458.40
1600 x 800	D	116	90	1600	800	40	65	230	400	400	973	627	48.1058	392.00	470.40
1700 x 700	D	116	90	1700	700	40	65	240	350	350	1073	627	48.1059	473.00	567.60
1700 x 800	D	116	90	1700	800	40	65	240	400	400	1073	627	48.1060	415.00	498.00

Waste sold separately.

Extras

Legs, Panel Packs & Seal Strip

Description	Code	£ Ex VAT	£ Inc VAT
Vantage legs & panel for 700-900 square & rectangle trays	48.1061	54.00	64.80
Vantage legs & panel for 1100-1200 rectangle trays	48.1063	55.00	66.00
Vantage legs & panel for 1300-1800 rectangle trays	48.1064	64.00	76.80
Flexible waste pipe White	30.400B	17.00	20.40

Shower Wastes

Description	Code	£ Ex VAT	£ Inc VAT
Vantage Shower Waste - Chrome	48.1067	24.00	28.80
Mega Flow Shower Waste 90mm - Matt Black	48.1068	26.00	31.20

Vantage Trays

VANTAGE RECTANGLE TRAYS



Rectangle Tray - Plan C Shown

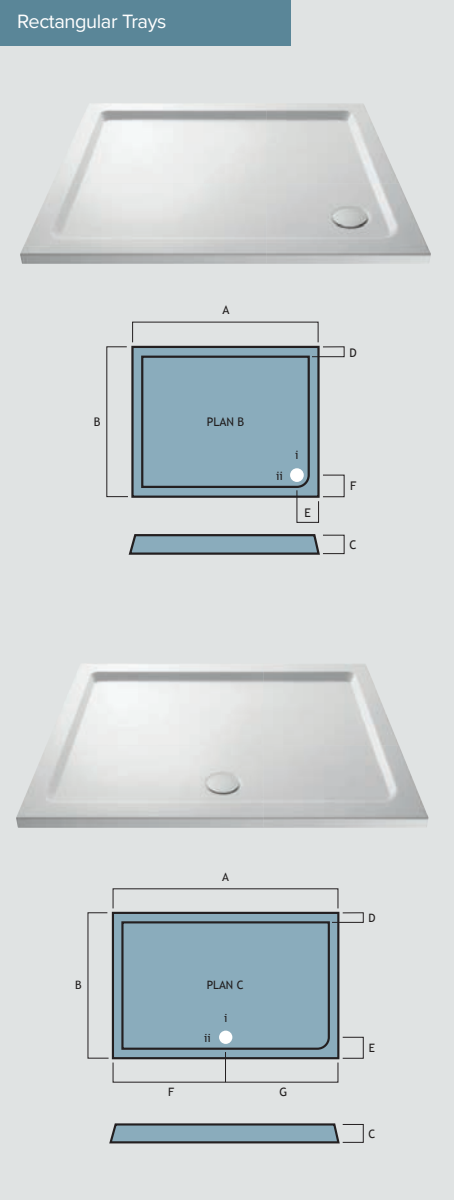
FEATURES

- All trays have a flat underside making installation and levelling even easier.
- Slimline, at 40-45 mm height they're among the sleekest on today's market.
- All trays are acrylic capped and constructed from a polyurethane resin mix.
- Light stone resin trays allows for easier handling and fitting, while still maintaining the strength of conventional trays.

TRAYS

Rectangular Vantage Trays													
Size	Plan	Waste Position	Waste Size	A	B	C	D	E	F	G	Code	£ Ex VAT	£ Inc VAT
900 x 700	B	112	90	900	700	40	60	140	140		48.1004	162.00	194.40
900 x 760	B	112	90	900	760	40	60	140	140		48.1005	165.00	198.00
900 x 800	B	112	90	900	800	40	60	140	140		48.1006	168.00	201.60
1000 x 700	B	112	90	1000	760	40	60	140	140		48.1017	171.00	205.20
1000 x 760	B	112	90	1000	760	40	60	140	140		48.1009	172.00	206.40
1000 x 800	B	112	90	1000	800	40	60	140	140		48.1010	175.00	210.00
1000 x 900	B	112	90	1000	900	40	60	140	140		48.1011	189.00	226.80
1100 x 700	B	112	90	1100	700	40	60	140	140		48.1013	190.00	228.00
1100 x 760	B	112	90	1100	760	40	60	140	140		48.1014	198.00	237.60
1100 x 800	B	112	90	1100	800	40	60	140	140		48.1015	204.00	244.80
1100 x 900	B	112	90	1100	900	40	60	140	140		48.1016	217.00	260.40
1200 x 700	B	112	90	1200	700	40	60	140	140		48.1008	198.00	237.60
1200 x 760	B	112	90	1200	760	40	60	140	140		48.1018	198.00	237.60
1200 x 800	B	112	90	1200	800	40	60	140	140		48.1019	202.00	242.40
1200 x 900	B	112	90	1200	900	40	60	140	140		48.1020	218.00	261.60
1200 x 1000	C	116	90	1200	1000	40	60	140	600	600	48.1021	237.00	284.40
1300 x 800	C	116	90	1300	800	40	60	140	650	650	48.1022	251.00	301.20
1400 x 700	C	112	90	1400	700	40	60	140	700	700	48.1023	246.00	295.20
1400 x 760	C	116	90	1400	760	40	60	140	700	700	48.1024	251.00	301.20
1400 x 800	C	112	90	1400	800	40	60	140	700	700	48.1025	255.00	306.00
1400 x 900	C	112	90	1400	900	40	60	140	700	700	48.1026	275.00	330.00
1500 x 700	C	112	90	1500	700	40	60	140	750	750	48.1027	264.00	316.80
1500 x 760	C	116	90	1500	760	40	60	140	750	750	48.1028	272.00	326.40
1500 x 800	C	116	90	1500	800	40	60	140	750	750	48.1029	295.00	354.00
1500 x 900	C	112	90	1500	900	40	60	140	750	750	48.1030	301.00	360.00
1600 x 700	C	112	90	1600	700	40	60	140	800	800	48.1031	290.00	349.20
1600 x 760	C	116	90	1600	760	40	60	140	800	800	48.1032	294.00	352.80
1600 x 800	C	112	90	1600	800	40	60	140	800	800	48.1033	306.00	367.20
1600 x 900	C	116	90	1600	900	40	60	140	800	800	48.1034	313.00	375.60
1700 x 700	C	112	90	1700	700	40	60	140	850	850	48.1035	303.00	363.60
1700 x 760	C	116	90	1700	760	40	60	140	850	850	48.1036	310.00	372.00
1700 x 800	C	116	90	1700	800	40	60	140	850	850	48.1037	316.00	379.20
1700 x 900	C	116	90	1700	900	40	60	140	850	850	48.1038	323.00	387.60
1800 x 800	C	116	90	1800	800	40	60	140	900	900	48.1039	345.00	414.00
1800 x 900	C	116	90	1800	900	40	60	160	900	900	48.1040	372.00	446.40

Price does not include shower waste.



Vantage Trays

VANTAGE RECTANGLE TRAYS



Rectangle Tray - Plan C Shown

Enclosure for illustration purposes only

Extras

Legs, Panel Packs & Seal Strip

Description	Code	£ Ex VAT	£ Inc VAT
Vantage legs & panel for 700-900 square & rectangle trays	48.1061	54.00	64.80
Vantage legs & panel for 1000 square & rectangle trays	48.1062	60.00	72.00
Vantage legs & panel for 1100-1200 rectangle trays	48.1063	55.00	66.00
Vantage legs & panel for 1300-1800 rectangle trays	48.1064	64.00	76.80
Flexible waste pipe White	30.400B	17.00	20.40

Shower Wastes

Description	Code	£ Ex VAT	£ Inc VAT
Vantage Shower Waste - Chrome	48.1067	24.00	28.80
Mega Flow Shower Waste 90mm - Matt Black	48.1068	26.00	31.20

Vantage Trays

VANTAGE QUADRANT TRAYS

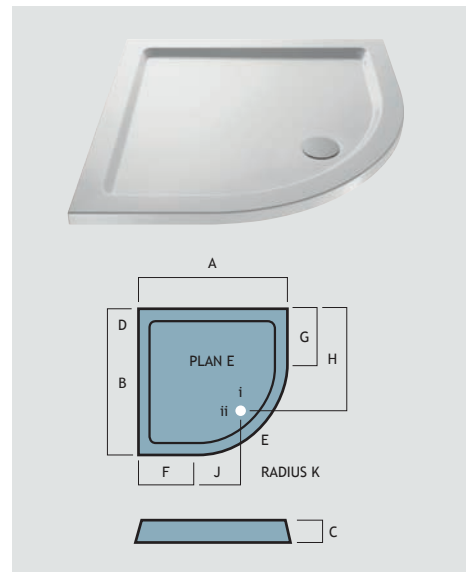


Quadrant Tray - Plan E Shown

Enclosure for illustration purposes only

FEATURES

- All trays have a flat underside making installation and levelling even easier.
- Slimline, at 40-45 mm height they're among the sleekest on today's market.
- All trays are acrylic capped and constructed from a polyurethane resin mix. Perfect for a modern and contemporary wet room design.
- Up to 50% lighter than conventional stone resin trays allowing for easier handling and fitting, while still maintaining the strength of conventional trays.



EXTRAS

Shower Wastes

Description	Code	£ Ex VAT	£ Inc VAT
Vantage Shower Waste - Chrome	48.1067	24.00	28.80
Mega Flow Shower Waste 90mm - Matt Black	48.1068	26.00	31.20

EXTRAS

Legs, Panel Packs & Seal Strip

Description	Code	£ Ex VAT	£ Inc VAT
Vantage legs & panel for 700-900 quad trays	48.1065	58.00	69.60
Vantage legs & panel for 1000-1200 quad trays	48.1066	64.00	76.80

TRAYS

Quadrant Vantage Trays

Size	Plan	Waste Size External	Waste Size Internal	A	B	C	D	E	F	G	H	J	K	Code	£ Ex VAT	£ Inc VAT
800 x 800	E	112	90	800	800	40	60	135	250	250	543	543	550	48.1045	136.00	163.20
900 x 900	E	112	90	900	900	40	60	135	350	350	643	643	550	48.1046	147.00	176.40
1000 x 1000	E	112	90	1000	1000	40	60	135	450	450	743	743	550	48.1047	205.00	246.00

Waste sold separately.

Vantage Trays

VANTAGE OFFSET QUADRANT TRAYS

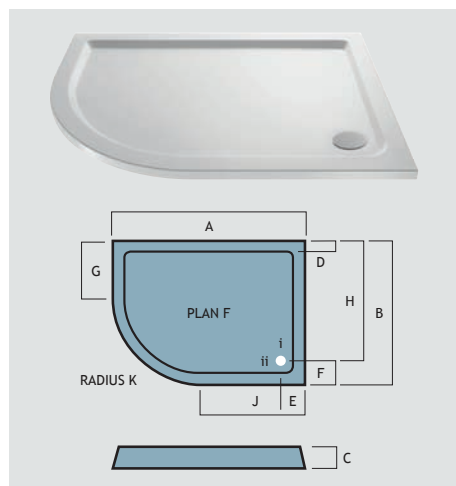


Offset Quadrant Tray - Plan F Shown

Enclosure for illustration purposes only

FEATURES

- All trays have a flat underside making installation and levelling even easier.
- Slimline, at 40-45 mm height they're among the sleekest on today's market.
- All trays are acrylic capped and constructed from a polyurethane resin mix.



EXTRAS

Shower Wastes

Description	Code	£ Ex VAT	£ Inc VAT
Vantage Shower Waste - Chrome	48.1067	24.00	28.80
Mega Flow Shower Waste 90mm - Matt Black	48.1068	26.00	31.20

EXTRAS

Legs, Panel Packs & Seal Strip

Description	Code	£ Ex VAT	£ Inc VAT
Vantage legs & panel for 700-900 quad trays	48.1065	58.00	69.60
Vantage legs & panel for 1000-1200 quad trays	48.1066	64.00	76.80

TRAYS

Offset Quadrant Vantage Trays

Size	Plan	Hand	Waste Position	Waste Size	A	B	C	D	E	F	G	H	J	K	Code	£ Ex VAT	£ Inc VAT
900 x 760	F	L/H	112	90	900	760	40	60	135	135	210	625	350	550	48.1041	149.00	178.80
900 x 760	F	R/H	112	90	900	760	40	60	135	135	210	625	350	550	48.1042	149.00	178.80
900 x 800	F	L/H	112	90	900	800	40	60	135	135	250	665	350	550	48.1043	169.00	202.80
900 x 800	F	R/H	112	90	900	800	40	60	135	135	250	665	350	550	48.1044	169.00	202.80
1000 x 800	F	L/H	112	90	1000	800	40	60	135	135	250	665	450	550	48.1048	178.00	213.60
1000 x 800	F	R/H	112	90	1000	800	40	60	135	135	250	665	450	550	48.1049	178.00	213.60
1000 x 900	F	L/H	112	90	1000	900	40	60	135	135	350	765	450	550	48.1050	201.00	241.20
1000 x 900	F	R/H	112	90	1000	900	40	60	135	135	350	765	450	550	48.1051	201.00	241.20
1200 x 800	F	L/H	112	90	1200	800	40	60	135	135	250	665	650	550	48.1052	200.00	240.00
1200 x 800	F	R/H	112	90	1200	800	40	60	135	135	250	665	650	550	48.1053	200.00	240.00
1200 x 900	F	L/H	112	90	1200	900	40	60	135	135	350	765	650	550	48.1054	217.00	260.40
1200 x 900	F	R/H	112	90	1200	900	40	60	135	135	350	765	650	550	48.1055	217.00	260.40

Waste sold separately.



Panelling

Hydropanel shower panelling with decorative laminate on the front and a balancer laminate on the reverse. PVC panels, ideal for walls and ceilings in bathrooms, showers and kitchen.

QUICK TO FIT
EASY TO CLEAN
MAINTENANCE FREE

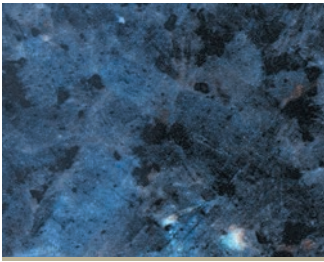
Contents

Hydropanel	454 - 455
Mirror gloss hydropanel	456
Fitting Instructions	457 & 459
Standard PVC hydropanel	458
PVC Widepanels	460 - 461

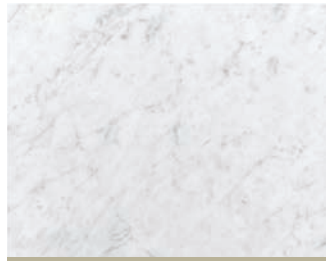


Hydropanel

Ply & MDF Core Hydropanel



Pacific Blue Granite Gloss



New Marble White Gloss



Slate

It is supplied in three formats:
 1200 x 2420mm Square edged
 900 x 2420mm Square edged
 600 x 2430mm with tongue and groove edges



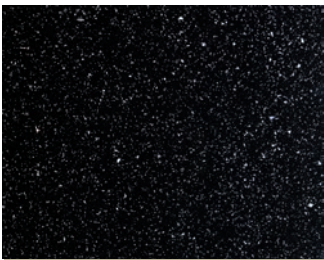
White Gloss



Travertine Gloss



Granite Gloss

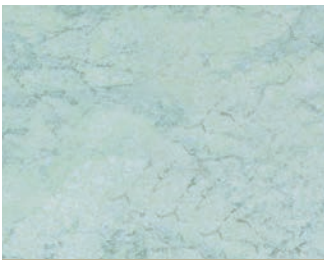


Black Speckle

This is our original shower panelling product consisting of a plywood core (T & G MDF core) with the decorative laminate on the front and a balancer laminate on the back. This is a very durable 10mm thick product with a very hard wearing face. It also has a degree of structural rigidity which can be an advantage in certain installations.



Mother Of Pearl Gloss



Marble Mint Green Gloss



New Marble Blue Gloss



Black Leaf



Pebbles



Concrete Effect



Stratus Marble Gloss



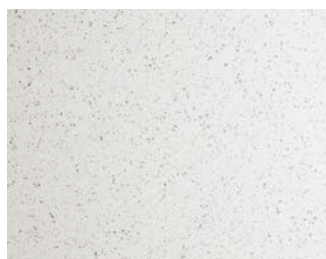
Lima Matt



Graphite Marble Effect



Statuario Marble Velvet



White Speckle

This product can be bonded straight to the wall so long as the wall is straight and true. The surface of the wall will also need to be evaluated as to whether it will support the bonded boards suitably. Alternatively the boards can be bonded to a timber framework which can be used to straighten up walls that are not true. As with all Hydropanel products our own sealants and adhesives should be used.

PVC Panelling

PVC Widepanel

Pages 460-461

Ideal for walls and ceilings in bathrooms, showers and kitchens



Marble Cream



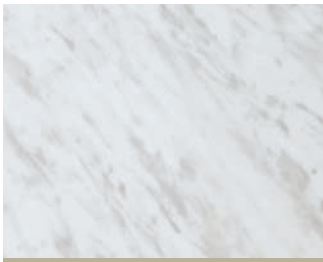
Black Marble



Travertine Gloss



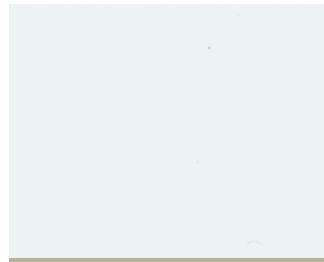
Black Sparkle



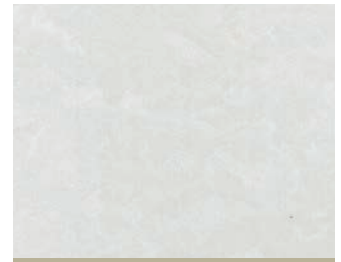
Carrara Marble



Marble Blue



White



Pearl White



White Sparkle



Mother Of Pearl



Concrete Dark Matt Grey



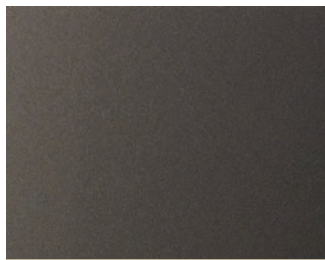
Tuscany Grey Marble

Mirror Gloss Hydropanel

Pages 456

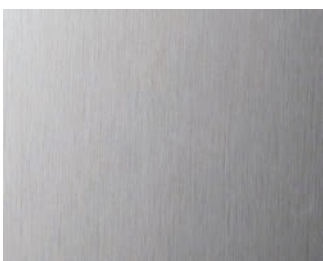


Mirror Gloss Black



Mirror Gloss Anthracite

An Eastbrook favourite is the fantastic hydropanel with a mirror gloss finish. Available in 1200mm lengths in four striking finishes, it is hard wearing and colour fast. This product combines all the proven qualities of the standard hydropanel with this exciting new finish.



Mirror Gloss Brushed Aluminium



Mother Of Pearl Gloss



Concrete Beige Matt

PVC Hydropanel

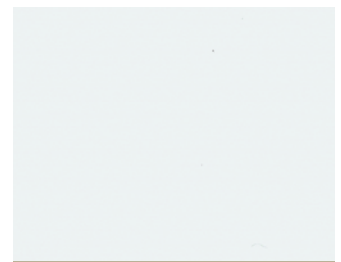
This is also a cellular PVC product, 5mm thick and supplied in packs of four planks which are 250mm wide. Available in lengths of 2400mm and 3000mm long planks which make it ideal for use on ceilings.

This is a lightweight product which is very fast and easy to install.

This product can be bonded straight to the wall so long as the wall is straight and true. The surface of the wall will also need to be evaluated as to whether it will support the bonded boards suitably. Alternatively the boards can be bonded to a timber frame work which can be used to straighten up walls that are not true. As with all Hydropanel products our own sealants and adhesives should be used.

Standard PVC ceiling and wall panelling

Pages 458



White

Hydropanel

HYDROPANEL SHOWER PANELLING

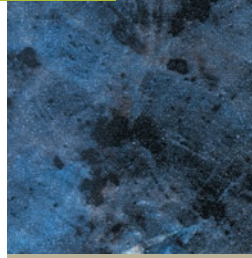
Colour samples subject to the limitations of the printing process



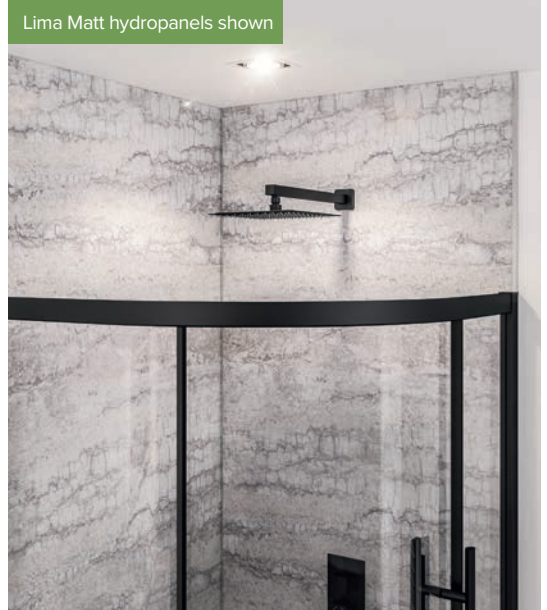
Marble Mint Green Gloss



White Gloss



Pacific Blue Granite



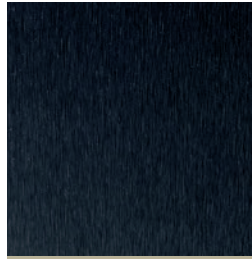
Lima Matt hydropanels shown



White Speckle



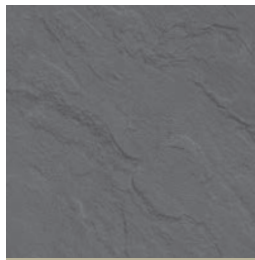
Black Speckle



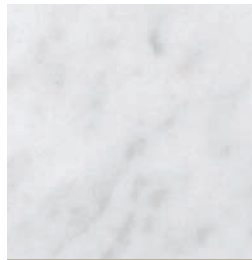
Brushed Black



Travertine Gloss



Slate Matt



New Marble White Gloss



Mother of Pearl Gloss



Pebbles



Granite Gloss



Graphite Marble Effect



Lima Matt



Statuario Marble Velvet



Concrete Effect



Stratus Marble Gloss



Straight edge stock panels. All 900mm panels are 2420mm high, all 1200mm panels are 2420mm high, 10mm thick.

Straight Edge Stock Panels						
Colour	900mm	£ Ex VAT	£ Inc VAT	1200mm	£ Ex VAT	£ Inc VAT
Marble mint green gloss	3.101	234.00	280.80	3.201	263.00	315.60
New marble white gloss	3.121	226.00	271.20	3.221	258.00	309.60
Pacific blue granite gloss	3.108	237.00	284.40	3.208	271.00	325.20
White gloss	3.112	226.00	271.20	3.212	258.00	309.60
New Granite gloss	3.129	234.00	280.80	3.229	275.00	330.00
Mother of pearl gloss	3.116	241.00	289.20	3.216	275.00	330.00
Travertine gloss	3.126	241.00	289.20	3.226	275.00	330.00
Slate matt	3.119	241.00	289.20	3.219	275.00	330.00
Pebbles	-	-	-	3.224	277.00	332.40
Brushed black	-	-	-	3.225	292.00	350.40
White speckle	-	-	-	3.227	300.00	360.00
Black speckle	-	-	-	3.228	300.00	360.00
Statuario Marble Velvet	-	-	-	3.151	275.00	330.00
Lima Matt	-	-	-	3.152	275.00	330.00
Concrete Effect	-	-	-	3.153	275.00	330.00
Stratus Marble Gloss	-	-	-	3.154	275.00	330.00
Graphite Marble Effect	-	-	-	3.155	275.00	330.00

Hydropanel

HYDROPANEL SHOWER PANELLING

Hydropanel conforms to class 3 standard fire grade. Class 1 can be obtained with a lead time of approximately one month and a 20% surcharge.

Pictures not to scale.

As with all decorative products, differences in shading can occur between batches.

Please ensure you order enough for the job in hand and also ensure that shades and colours are checked and approved on site before installation commences.

Colour samples available subject to the limitations of the printing process.

600mm Tongue and Groove Panels

Colour	Code	£ Ex VAT	£ Inc VAT
Marble Green Gloss	3.601	156.00	187.20
New Marble White Gloss	3.621	159.00	190.80
Pacific Blue Granite Gloss	3.608	167.00	200.40
White Gloss	3.612	160.00	192.00
New Granite Gloss	3.629	167.00	200.40
Mother of Pearl Gloss	3.616	161.00	193.20
Slate Matt	3.619	170.00	204.00
Travertine Gloss	3.626	167.00	200.40

2430 mm high, 11mm thick. Please note: Panels are 600mm wide, finished face 585mm.

Accessories

Description	Code	£ Ex VAT	£ Inc VAT
Hydropanel Adhesive 310ml*	32.005	15.00	18.00
Hydropanel Sealant 310ml*	32.006	15.00	18.00
Hydropanel Cleaner 500ml	32.007	14.00	16.80

*Normal requirement 1 tube per

FEATURES

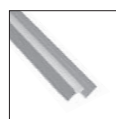
- Lightweight core material
- Waterproof surface
- Chemical resistant
- Easy clean surface
- Resistant to distortion
- Fade free



Pebbles hydropanels shown



End 'U'



Internal



SWATCHES AVAILABLE



Join 'H'



Anthracite



Silver



Bright Silver



Gold



White



L



Scotia



Base Seal



External

Extrusions. All 2430-2440mm lengths.

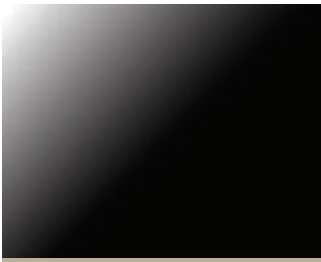
Straight Edge Stock Panels

Description	Bright Silver			Satin Silver			White			Gold			Anthracite		
	Code	£ Ex VAT	£ Inc VAT	Code	£ Ex VAT	£ Inc VAT	Code	£ Ex VAT	£ Inc VAT	Code	£ Ex VAT	£ Inc VAT	Code	£ Ex VAT	£ Inc VAT
Hydropanel Internal	32.311	33.00	39.60	32.001	32.00	38.40	32.101	33.00	39.60	-	-	-	32.301	53.00	63.60
Hydropanel External	32.312	37.00	44.40	32.002	33.00	39.60	32.102	37.00	44.40	-	-	-	32.302	57.00	68.40
End 'U'	32.313	30.00	36.00	32.003	21.00	25.20	32.103	24.00	28.80	-	-	-	32.303	36.00	43.20
Join 'H'	32.314	31.00	37.20	32.004	29.00	34.80	32.104	32.00	38.40	-	-	-	32.304	41.00	49.20
'L' shape	32.319	22.00	26.40	32.009	19.00	22.80	32.109	20.00	24.00	-	-	-	-	-	-
Scotia	32.320	29.00	34.80	32.010	22.00	26.40	32.110	24.00	28.80	-	-	-	-	-	-
Base seal	32.318	29.00	34.80	32.008	22.00	26.40	32.108	22.00	26.40	32.208†	30.00	36.00	32.308	22.00	26.40

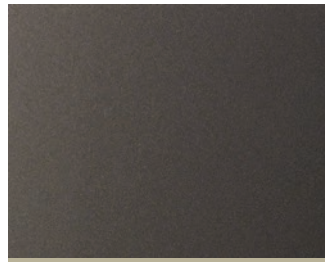
Note: Gold is antique, silver is anodised and white is powder coated. †While stocks last

Mirror Gloss Hydropanel

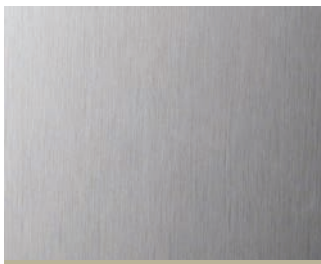
MIRROR GLOSS HYDROPANEL



Mirror Gloss Black



Mirror Gloss Anthracite



Mirror Gloss Brushed Aluminium



Mirror White Gloss

Use our new, highly durable mirror gloss hydropanel to add an extra dimension to your next bathroom project. All panels are 2420mm long and 11mm thick.

Panels				
Description	Colour	Code	£ Ex VAT	£ Inc VAT
Mirror gloss hydropanel 1200mm	White	3.700	311.00	373.20
Mirror gloss hydropanel 1200mm	Black	3.701	327.00	392.40
Mirror gloss hydropanel 1200mm	Anthracite	3.702	426.00	511.20
Mirror gloss hydropanel 1200mm	Brushed Aluminium	3.703	426.00	511.20

FEATURES

- Mirror gloss surface
- Highly durable surface
- Waterproof surface
- Easy clean
- Fade free

Bright Silver Extrusions

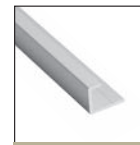
Description	Bright Silver	£ Ex VAT	£ Inc VAT
Hydropanel Internal	32.311	33.00	39.60
Hydropanel External	32.312	37.00	44.40
End 'U'	32.313	30.00	36.00
Join 'H'	32.314	31.00	37.20
Base seal	32.318	29.00	34.80
'L' shape	32.319	22.00	26.40
Scotia	32.320	29.00	34.80

Colours are subject to the limitations of the printing process, and should only be used as a guide to colour matching.

NB: As with all decorative products differences in shading can occur between batches. Please ensure you order enough to complete the job in hand.



Join 'H'



End 'U'



External



Internal



L



Scotia



Base Seal



Silver



Anthracite



Bright Silver



Gold



White

Extrusions: All 2500mm Lengths

Description	Silver	£ Ex VAT	£ Inc VAT	White	£ Ex VAT	£ Inc VAT	Gold	£ Ex VAT	£ Inc VAT	Anthracite	£ Ex VAT	£ Inc VAT
Hydropanel Internal	32.001	32.00	38.40	32.101	33.00	39.60	-	-	-	32.301	53.00	63.60
Hydropanel External	32.002	33.00	39.60	32.102	37.00	44.40	-	-	-	32.302	57.00	68.40
End 'U'	32.003	21.00	25.20	32.103	24.00	28.80	-	-	-	32.303	36.00	43.20
Join 'H'	32.004	29.00	34.80	32.104	32.00	38.40	-	-	-	32.304	41.00	49.20
'L' shape	32.009	19.00	22.80	32.109	20.00	24.00	-	-	-	-	-	-
Scotia	32.010	22.00	26.40	32.110	24.00	28.80	-	-	-	-	-	-
Base seal	32.008	22.00	26.40	32.108	22.00	26.40	32.208†	30.00	36.00	32.308	22.00	26.40

Note: Gold is antique, silver is anodised and white is powder coated. †While stocks last

Hydropanel Instructions

Instructions

Tongue & Groove or square cut wall panels

General notes on fixing panels

Panels can be fixed directly to battens or walls using Hydropanel panel adhesive. It is recommended that the panels are fixed to battens to provide air space behind. Fix treated timber battens approximately 45mm x 21mm horizontally with one at the head and one at the base of the panels. Additional horizontal battens should be a maximum distance of 500mm apart. They should be parallel to each other and plumb to give a solid ground for fixing the panels with Hydropanel adhesive. Additional battens should be used behind wash hand basins, towel rails and other heavy items to give a secure fixing.

Panel Preparation



1. Cutting Panels:

Cut panel with pattern facing upwards using a handsaw. If using an electric saw, cut panel with laminate face downwards.

2. Cut Edge Filing:

The panel edge should be filed at a slight angle away from the laminate edge.

3. Pipes and Accessories:

All pipes and accessories require a 3-4mm clearance, allowing them to be sealed with a bead of Hydropanel sealant. If fitting a collar, first seal with Hydropanel sealant.

4. Timber Battens:

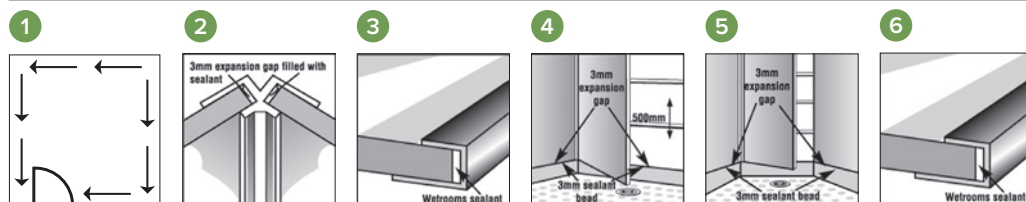
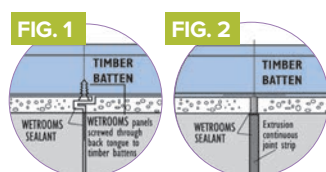
(45mm x 21mm) Use battens if walls are uneven, at a maximum distance of 500mm apart. Fix panels to battens using Hydropanel adhesive.

5. Panel Fitting:

Fit panels 3mm above bath, shower tray or floor, with edge downwards. Seal gap with Hydropanel sealant. It is imperative that all edges are sealed and the sealant is taken 5mm up the face of the panel at a 45° angle.

6. Panel & Decor Strip Sealing:

In wet areas such as a bathroom, use Hydropanel sealant inside each profile prior to inserting panel.



Hydropanel

Tongue & Groove Recommended for continuous panel runs

The vertical edges are tongue and grooved to give the finished panelling a smooth, easily maintained surface. Panels have asymmetrical tongue and grooved vertical edges giving 5mm of joint overlap. A waterproof joint is assured when sealed with Hydropanel sealant.

Installation

1. Where to start:

Panel in both directions around the room, starting at the corner furthest from the door. Fit the last panel above the doorway, placed in position tongue first and swung into position. All panels must be correctly aligned and plumb. Use Hydropanel panel adhesive to fix panels to battens. Seal all panel joints using Hydropanel sealant.

2. Begin Panelling:

Fix a Hydropanel internal profile in position first ensuring that it is plumb. Apply Hydropanel sealant to the recess of the profile. Apply Hydropanel adhesive to the battens. After removing the smaller tongue, or cutting to size insert the first panel. Continue to panel away from the corner in both directions, fixing panels to battens with Hydropanel adhesive, and sealing joints with Hydropanel sealant.

3. Continue Panelling:

Continue panelling around the room fixing each panel to the battens with Hydropanel adhesive, or screws through the back lip of grooved edge. Seal tongue and groove joints using Hydropanel sealant. Where appropriate use internal and external corner profiles, sealing with Hydropanel sealant.

Square cut with aluminium joint extrusions which allow for on site cutting, the edges being covered by aluminium trim extrusions. This will facilitate for faster installation.

4. Fit the shower tray hard against or cut into the wall. First cut the panels and profiles to size. Fix a Hydropanel internal profile in position ensure that it is plumb. Apply Hydropanel sealant into profile and insert panels. Fix panels to battens using Hydropanel panel adhesive.

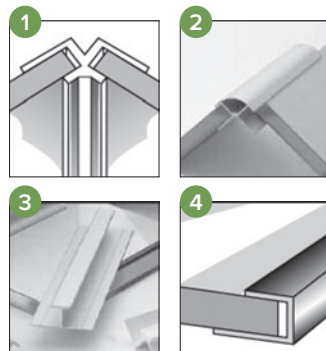
5. First panel is fitted as for the two panel shower enclosure. Put a second internal corner profile onto the edge of second panel, and apply Hydropanel adhesive to the battens. Insert other edge into profile already attached to the wall, and swing into place forming back of enclosure. Fix profile to wall, insert third panel and glue to wall. Ensure a generous bead of Hydropanel sealant is applied into all the profiles.

6. Finish outer panel edges with U-Trim, applying a bead of Hydropanel sealant into the U-Trim. Seal all gaps around the tray with Hydropanel sealant prior to installing the shower door or side panel.

Use the H continuous run decorative aluminium joining and stacking profile to join panels and install in a similar manner to tongue and groove panelling, applying a generous bead of Hydropanel sealant into the profile.

Aluminium Profiles

Available in silver, white and antique gold†



1. Internal corner profile:

2400mm. Used on all internal 90° corners sealing with Hydropanel sealant.

2. External corner profile:

(2500 mm) Used on 90° external corners, sealing with Hydropanel sealant.

3. Joining and stacking profile:

(2500 mm) Used to mount panels side by side, or above each other, sealing with Hydropanel sealant.

4. U-TRIM:

(2500 mm) Finishing touches and cap for square cut edge of panel, sealing with Hydropanel sealant.

Hydropanel Adhesives and Sealants

It is recommended that only Hydropanel's own brand adhesives and sealants are used. Approximately 1 cartridge of Hydropanel adhesive and 1 cartridge of Hydropanel sealant is required for a 800 mm wide panel.

Cleaning and maintenance

The hardwearing surface of the panelling and aluminium profiles can be hygienically cleaned with Hydropanel spray cleaner which is a mild non-abrasive cleaner with anti-bacterial cleanser.

Abrasive cleaners or bleach must not be used.

A large variety of possible applications:

DOMESTIC: Walls of showers, kitchens, wet areas, utility rooms, conservatories, extensions etc.

COMMERCIAL: Hotels (bathrooms, kitchens, wet areas, reception areas, etc). Cafeterias (food preparation areas, kitchens, toilet facilities, etc) offices, shops, hospitals, schools, laboratories, etc.

Standard PVC Panelling

WHITE STANDARD PVC CEILING / WALL PANELLING



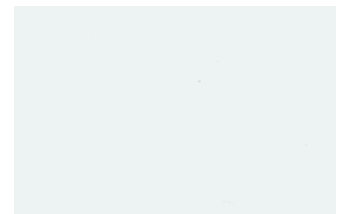
Ideal for kitchens, bathrooms and showers

- New 3m long panel in white
- 250mm wide tongue and groove panels
- Wetwall panels for all showers
- Suitable for wet and dry areas
- Suitable for both walls and ceilings
- Easy installation, no wet trades required
- Full range of accessories
- Hygienic wipe clean surface

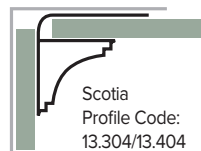
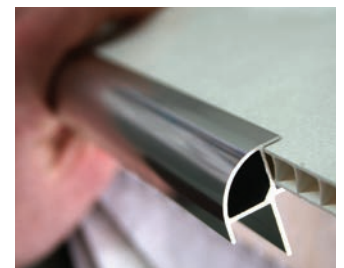
- Standard PVC Hydropanels and profiles are 2400mm long (Profiles can vary by up to 2%)
- Non-porous and mould free
- H-join decor strips available in silver and gold
- Virtually maintenance free
- No tiling or grouting to discolour or leak
- Excellent insulation and sound proofing
- Class 1 fire rating
- Approx 5mm thickness

White is subject to the limitations of the printing process, and should only be used as a guide to colour matching.

NB: As with all decorative products differences in shading can occur between batches. Please ensure you order enough to complete the job in hand.



White Gloss



Hardwearing PVC surface suitable for all areas domestic and commercial.

Profiles

Description	White	Black	Silver	Gold	£ Ex VAT	£ Inc VAT
PVC Hydropanel internal corner	13.301	-	13.001	13.201†	15.00	18.00
PVC Hydropanel external corner	13.302	13.402	13.002	13.202†	19.00	22.80
PVC End cap U	13.303	-	13.003	-	14.00	16.80
PVC Join H decor strip	13.306	-	13.006	-	16.00	19.20
PVC Scotia	13.304	-	-	-	15.00	18.00

FEATURES

- Lightweight core material
- Water resistant
- Easy clean surface

†While stocks last

Panels

Description	Colour	Code	£ Ex VAT	£ Inc VAT
PVC Hydropanel pack of 4 (2.4m ²)	White Gloss	13.112	42.00	50.40
3 Metre Long White Hydropanel				
Description	Colour	Code	£ Ex VAT	£ Inc VAT
PVC Hydropanel pack of 4 x 3m long	White Gloss	13.122	52.00	62.40

As with all decorative products differences in shading can occur between batches. Please ensure you order enough for the job in hand and also ensure that shades and colours are checked and approved on site before installation commences.

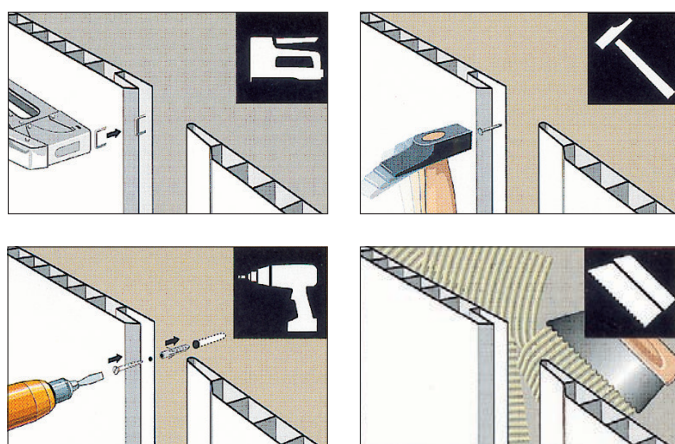
PVC Panel Instructions

How to Fit the PVC Profiles

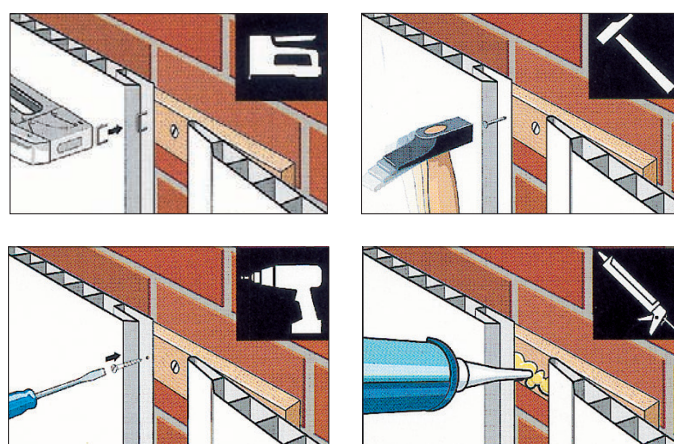
- Hygienic, washable and easy to maintain
- Very simple to install
- Can be cut to size very easily
- Save up to 50% of the cost of conventional tiling
- Ideal for bathrooms, showers, kitchens etc
- A wide range of stunning decors
- Excellent insulation and sound proofing
- Recyclable



Fix Directly On To Wall



Fix Directly Onto Batten



Assembly Instructions

There are two ways to assemble the tongue and groove wall panels. Either glue or fix directly on to the wall if the surface is relatively even and dry. Use 'Wetwall Adhesive' or fix on to a wooden frame. Fixing to timber battens is easy: a staple gun, hammer and nails, screws or 'Wetwall Adhesive' can be used.

To make the wooden frame, strap the wall with wooden battens approx. every 50cm according to the direction of your panel assembly. To install the panels vertically, lath the wall horizontally and vice versa. If the panels are to be placed diagonally, the wall may be lathed either horizontally or vertically.

Start with installing the preferred PVC profiles on the sides (start at edge trim, or inside corner).

Nail, staple, screw or glue the first panel to the wooden battens. Silicone seal all ends, joints and profiles in a wet area such as a shower or around a bath with Wetwall sealant.

Insert the next panel (side with tongue) into the groove of the previous panel. Nail, staple, screw or glue the panel along the tongue on the opposite side. Proceed in a similar manner for the fixing of all panels.

SEALING: To seal the joint between two panels we recommend using 'Wetwall Silicone Sealant' when sealing in wet areas, in the shower or around the bath.

CUTTING: We recommend when using a precision handsaw, cutting the panel with the decorative side upwards. When using an electric saw cut panel with decorative side downwards.

Benefits Of Using Wetroom Adhesives, Sealants And Cleaners

Wetroom Sealant is of the highest quality silicone. It is a fast curing, low modulus, neutral, fungicidal silicone sealant, developed for use with Wetroom panelling, and for general sanitary use.

- Wetroom Sealant forms a strong secure bond even between two non-porous surfaces.
- Wetroom Sealant has a high degree of elasticity, which ensures that the bond remains firm during the natural expansion and contraction of the panelling.
- Wetroom Sealant is designed for high pressure and pumped shower systems.

It is required the only Wetroom's own brand of adhesive sealant and cleaner are used.

Abrasive cleaners and bleaches must not be used on Wetroom panelling.



Accessories			
Description	Code	£ Ex VAT	£ Inc VAT
Hydropanel Adhesive 310ml*	32.005	15.00	18.00
Hydropanel Sealant 310ml*	32.006	15.00	18.00
Hydropanel Cleaner 500ml*	32.007	14.00	16.80

*Normal requirement one tube per panel. For a packet of four panels, approximately one cartridge of Wetroom adhesive and one cartridge of Wetroom sealant is required.

**Hydropanel cleaner is required on surface and panels.

PVC Widepanel

PVC WIDEPANELS



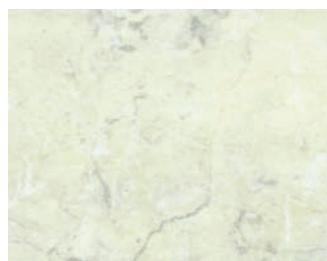
NB: Widepanels 1000mm wide. Shown above Black Marble.

Ideal for walls and ceilings in bathrooms, showers and kitchens

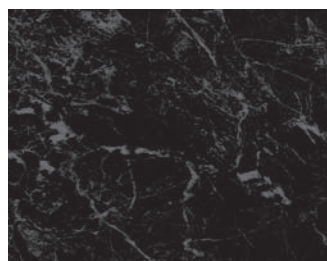
- 1000mm wide tongue and groove Widepanels
- Wetroom Widepanels for all showers
- Suitable for wet and dry areas
- Suitable for both walls and ceilings
- Easy installation, no wet trades required
- Non-porous and mould free
- Full range of accessories
- Hygienic wipe clean surface
- Virtually maintenance free
- PVC Widepanels are 2400mm high by 1000mm wide
- Profiles are 2400mm long (Can vary by up to 2%)
- H-joint decor strips available in white and silver
- No tiling or grouting to discolour or leak
- Excellent insulation and sound proofing
- 10.5mm thickness
- Class 1 fire rated for commercial and domestic installations
- Light and easy to fit
- 100% waterproof. No water can be drawn into the core
- Made of recyclable PVC
- Is strong and rigid
- Accessories can be screwed securely onto PVC Widepanels

PVC Widepanel

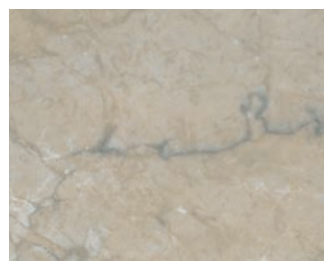
Hardwearing PVC surface suitable for all areas domestic and commercial



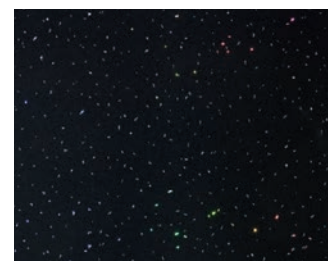
Marble Cream



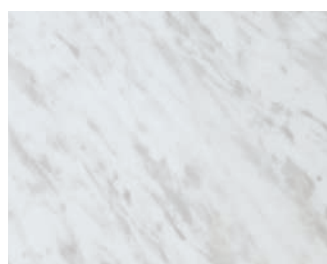
Black Marble Gloss



Travertine Gloss



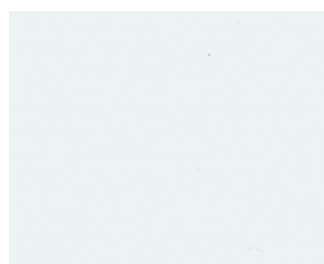
Black Sparkle



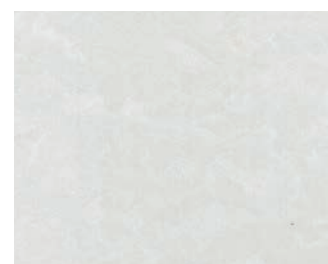
Carrara Marble



Marble Blue



White



Pearl White



White Sparkle



Mother Of Pearl



Concrete Beige Matt



Concrete Dark Matt Grey

PVC Widepanel 1000 x 2400mm				
Colour	Size	Code	£ Ex VAT	£ Inc VAT
Marble blue Gloss	1000x2400mm	13.502	119.00	142.80
Carrara marble Gloss	1000x2400mm	13.504	119.00	142.80
Marble cream	1000x2400mm	13.507	119.00	142.80
White Gloss	1000x2400mm	13.512	119.00	142.80
Mother of Pearl	1000x2400mm	13.516	119.00	142.80
Travertine	1000x2400mm	13.520	119.00	142.80
Pearl White	1000x2400mm	13.521	119.00	142.80
Black Marble Gloss	1000x2400mm	13.522	119.00	142.80
Black Sparkle	1000x2400mm	13.523	126.00	151.20
White Sparkle	1000x2400mm	13.524	126.00	151.20
Concrete Beige Matt	1000x2400mm	13.525	119.00	142.80
Tuscany Grey Marble	1000x2400mm	13.151	120.00	144.00
Concrete Dark Matt Grey	1000x2400mm	13.152	120.00	144.00

NB: Panels - range from 2400-2430 height

NB: All panels are 1000mm wide.

Colours are subject to the limitations of the printing process, and should only be used as a guide to colour matching.

NB: As with all decorative products differences in shading can occur between batches.

Please ensure you order enough to complete the job in hand and also ensure that shades and colours are checked and approved on site before installation commences.



Tuscany Grey Marble

PVC Profiles			
Description	White	£ Ex VAT	£ Inc VAT
PVC Widepanel internal corner	13.311	17.00	20.40
PVC Widepanel external corner	13.312	18.00	21.60
PVC Widepanel end U	13.313	14.00	16.80
PVC Widepanel join H	13.316	16.00	19.20

Aluminium Profiles			
Description	Bright Silver	£ Ex VAT	£ Inc VAT
Widepanel aluminium internal	32.311	33.00	39.60
Widepanel aluminium external	32.312	37.00	44.40
Widepanel aluminium end U	32.313	30.00	36.00
Widepanel aluminium join H	32.314	31.00	37.20

FEATURES

- PVC Class 1 fire rated
- Lightweight only 12.5 Kg
- Water resistant
- Easy clean surface
- Eco friendly recycled PVC used



SWATCHES AVAILABLE



RAL Colours / Codes

The RAL codes for the radiator and valve colours in the radiator section are as follows:

Gloss White* : RAL 9016
Matt White* : RAL 9016 Matt
Matt Grey* : RAL 7040 Matt

Matt Cappuccino* : Special Colour (Closest colour RAL 1019 Matt)
Matt Cobalt Blue* : RAL 5013 Matt
Matt Anthracite* : Special colour (Closest colour RAL 7016 Matt)

Matt Black* : RAL 9005 Matt

*Touch Up pens for above colours available, please ask sales/technical for more details.

*Eastbrook radiator colour switch contains these colours, please don't forget to ask for your copy.

Heated Towel Rails & Radiators

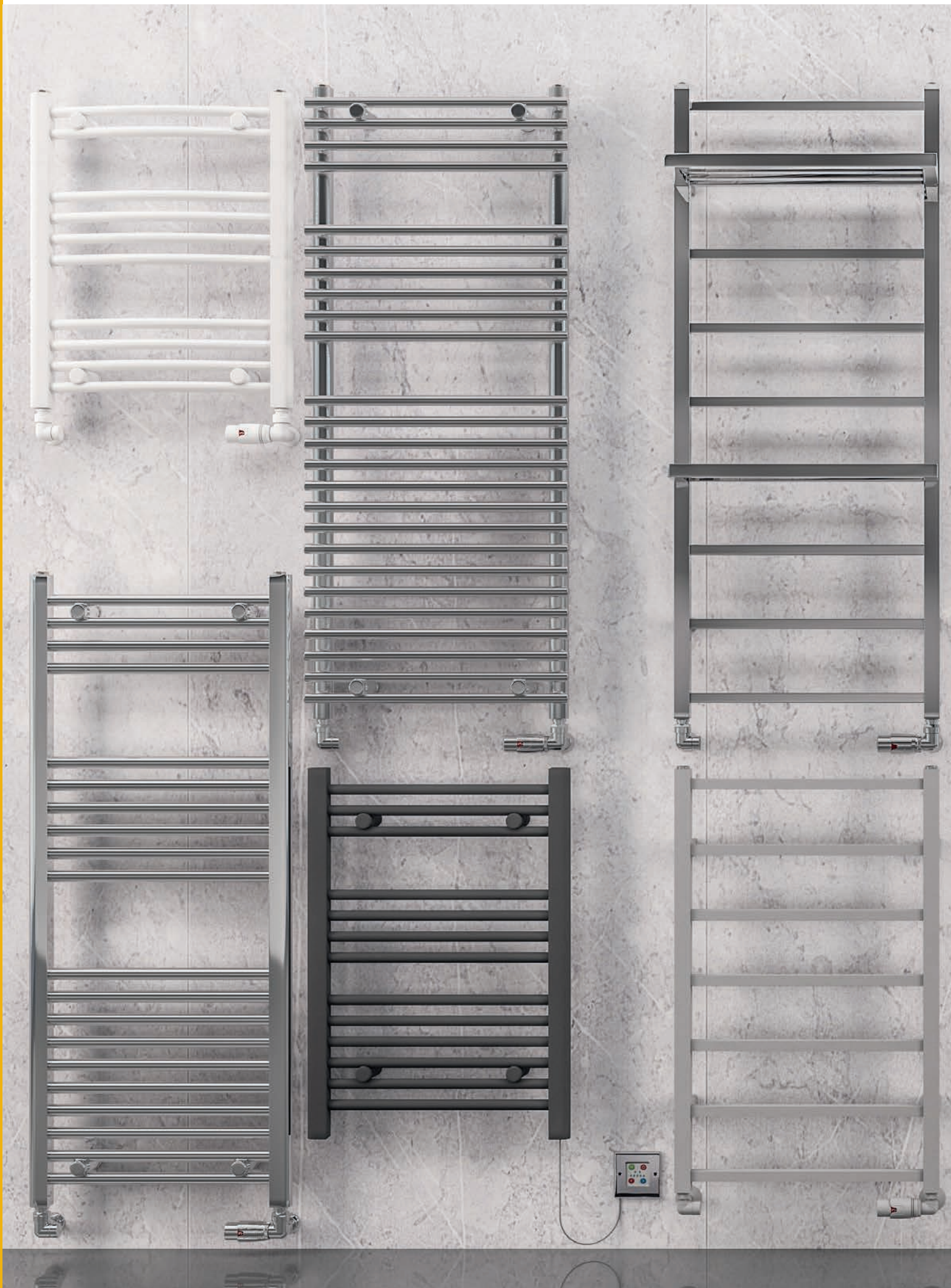
A huge variety of towel rails and radiators from modern to traditional, available in steel, aluminium and stainless steel.

There are a great choice of colours including chrome, brushed brass, gloss white, matt white, matt grey, matt cappuccino, matt cobalt blue, matt anthracite, matt black, polished aluminium and bronze effect / chrome effect. Most of our towel rails and radiators can be powered via dual fuel, single fuel and or all electric.

Contents

The Multirail Range	464-517
The Dry Element Range	518-525
The Stainless Steel Range	526-531
The Designer Range	532-599
The Flat Panel Range	600-607
The Aluminium Range	608-687
The Traditional Range	688-715
Elements	718-729
Valves	730-737
Accessories	738-741
Technical Tables & Drawings	742-807





Sub Section

Multirail Range

Contents

Wingrave Straight, Chrome	466-467
Wingrave Straight, Matt Anthracite	468-469
Wingrave Straight, Matt Cobalt Blue	470-471
Wingrave Straight, Matt Black	472-473
Wingrave Straight, Matt Grey	474-475
Wingrave Straight, Gloss White	476-477
Wingrave Straight, Matt White	478-479
Wingrave Curved, Chrome	480-481
Wingrave Curved, Gloss White	482-483
Wendover Straight, Chrome	484-485
Wendover Curved, Chrome	486-487
Wendover Straight, Gloss White	488
Wendover Curved, Gloss White	489
Wendover Straight, Matt Anthracite	490
Wendover Straight, Brushed Brass - NEW COLOUR	491
Biava Multirail Straight, Gloss White	492
Biava Multirail Straight, Chrome	492
Biava Multirail Curved, Gloss White	493
Biava Multirail Curved, Chrome	493
Biava Multirail HV Straight, Available in 5 colours - NEW COLOUR	494-496
Tuscan, Gloss White & Chrome	497
Westward Straight, Gloss White & Chrome	498-499
Rion Multirail, Available in 4 colours - NEW PRODUCT	500-501
Corinium Round, Available in 5 colours	502-503
Tuscan Round, Available in 5 colours	504-505
Biava Round, Gloss White & Chrome	506
Biava Tube on Tube, Chrome	507
Launton, Available in 3 colours	508-509
Haddenham, Available in 3 colours	510-511
Biava Square, Chrome	512
Tuscan Square, Available in 5 colours	513-515
Tuscan Square Multirail, Available in 4 colours - NEW PRODUCT	516-517



Multirail Range

WINGRAVE - STRAIGHT, CHROME



Pictured 89.1449 Chrome

Pictured 89.0095 Chrome

A contemporary straight towel radiator range which comes in chrome, matt anthracite, matt cobalt blue, matt black, matt grey, gloss white and matt white finishes. With a wide variety of sizes, this range not only adds to your bathroom with design simplicity but also keeps your towels warm.

FEATURES

- 22mm diameter horizontal round tubes
- Wide range of sizes to fit in all spaces
- Horizontal sizes to fit under windows
- Tested to BS EN 442 standards
- 5 Year manufacturer's warranty*
- Can be single or dual fuel, or all electric
- * With conditions

Technical Tables & Drawings

Page 742-743



Warranty 5 Year	Diameter (Ø) 22 MM Bars	Heating 	All Electric 	Dual-Fuel
-------------------------------------	---	--------------------	-------------------------	----------------------



Multirail Range

WINGRAVE - STRAIGHT, CHROME

Wingrave - Straight Chrome 600mm Height

Size H x W	Watts	BTU	Element Output	Element Type	Code	£ Ex VAT	£ Inc VAT
600 x 300mm	131	447	150W	D, E, F, G	89.0686	85.00	102.00
600 x 400mm	167	570	150W	D, E, F, G	89.0687	91.00	109.20
600 x 500mm	200	683	100W	A, A+, D, E, F, G	89.0688	101.00	121.20
600 x 600mm	233	795	150W	A, A+, D, E, F, G	89.0689	112.00	134.40
600 x 1000mm	355	1212	150W	A, A+, D, E, F, G	89.1449	181.00	217.20
600 x 1200mm	413	1410	150W	A, A+, D, E, F, G	89.1450	200.00	240.00

Wingrave - Straight Chrome 800mm Height

Size H x W	Watts	BTU	Element Output	Element Type	Code	£ Ex VAT	£ Inc VAT
800 x 300mm	171	584	150W	D, E, F, G	89.0690	91.00	109.20
800 x 400mm	217	741	150W	A, A+, D, E, F, G	89.0083	96.00	115.20
800 x 500mm	261	891	150W	A, A+, D, E, F, G	89.0088	110.00	132.00
800 x 600mm	303	1034	150W	A, A+, D, E, F, G	89.0093	120.00	144.00

Wingrave - Straight Chrome 1000mm Height

Size H x W	Watts	BTU	Element Output	Element Type	Code	£ Ex VAT	£ Inc VAT
1000 x 300mm	212	724	150W	A, A+, D, E, F, G	89.0691	106.00	127.20
1000 x 400mm	269	918	150W	A, A+, D, E, F, G	89.0084	115.00	138.00
1000 x 500mm	324	1106	150W	A, A+, D, E, F, G	89.0089	128.00	153.60
1000 x 600mm	376	1283	150W	A, A+, D, E, F, G	89.0094	139.00	166.80

Wingrave - Straight Chrome 1200mm Height

Size H x W	Watts	BTU	Element Output	Element Type	Code	£ Ex VAT	£ Inc VAT
1200 x 300mm	256	874	150W	A, A+, D, E, F, G	89.0692	124.00	148.80
1200 x 400mm	324	1106	150W	A, A+, D, E, F, G	89.0085	132.00	158.40
1200 x 500mm	390	1331	150W	A, A+, D, E, F, G	89.0090	148.00	177.60
1200 x 600mm	454	1550	300W	A, A+, D, E, F, G	89.0095	165.00	198.00

Wingrave - Straight Chrome 1400mm Height

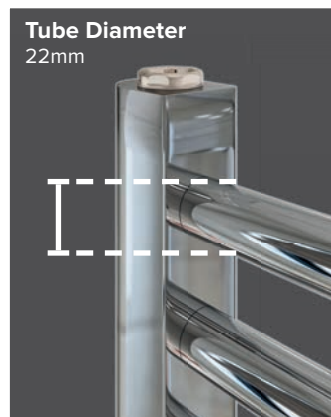
Size H x W	Watts	BTU	Element Output	Element Type	Code	£ Ex VAT	£ Inc VAT
1400 x 300mm	302	1031	150W	A, A+, D, E, F, G	89.0693	160.00	192.00
1400 x 400mm	383	1307	150W	A, A+, D, E, F, G	89.0530	169.00	202.80
1400 x 500mm	461	1573	150W	A, A+, D, E, F, G	89.0531	183.00	219.60
1400 x 600mm	536	1829	300W	A, A+, D, E, F, G	89.0532	198.00	237.60

Wingrave - Straight Chrome 1600mm Height

Size H x W	Watts	BTU	Element Output	Element Type	Code	£ Ex VAT	£ Inc VAT
1600 x 300mm	352	1202	150W	A, A+, D, E, F, G	89.0694	165.00	198.00
1600 x 400mm	446	1522	150W	A, A+, D, E, F, G	89.0086	176.00	211.20
1600 x 500mm	537	1833	300W	A, A+, D, E, F, G	89.0091	193.00	231.60
1600 x 600mm	624	2130	300W	A, A+, D, E, F, G	89.0096	208.00	249.60

Wingrave - Straight Chrome 1800mm Height

Size H x W	Watts	BTU	Element Output	Element Type	Code	£ Ex VAT	£ Inc VAT
1800 x 300mm	405	1382	150W	A, A+, D, E, F, G	89.0695	182.00	218.40
1800 x 400mm	514	1754	300W	A, A+, D, E, F, G	89.0087	195.00	234.00
1800 x 500mm	618	2109	300W	A, A+, D, E, F, G	89.0092	218.00	261.60
1800 x 600mm	719	2454	450W	A, A+, D, E, F, G	89.0097	234.00	280.80



Tube Diameter
22mm

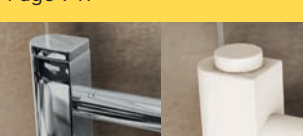
Room Divider Bracket Sets

Page 739



Vent Caps

Page 741



Multi-Rail Hangers

Page 738



Robe Hooks & Hangers

Page 738



TECHNICAL INFORMATION

All measurements in Height by Width. Heat output based on $\Delta T60^{\circ}\text{C}$. Radiators that are electric only are restricted to the heat output of the elements. Element size can be increased to full capacity of rail if using element type D, E, F or G. For element types see pages 718-729. For matching valves see pages 731-737. For indirect heating systems only. Tappings are approx. 44mm less than the width of the rail and approx. 65mm off the wall. Price includes radiator and wall fixing sets, valves extra.



Multirail Range

WINGRAVE - STRAIGHT, MATT ANTHRACITE



Pictured 89.1446 Matt Anthracite

Pictured 89.0074 Matt Anthracite

A contemporary straight towel radiator range which comes in chrome, matt anthracite, matt cobalt blue, matt black, matt grey, gloss white and matt white finishes. With a wide variety of sizes, this range not only adds to your bathroom with design simplicity but also keeps your towels warm.

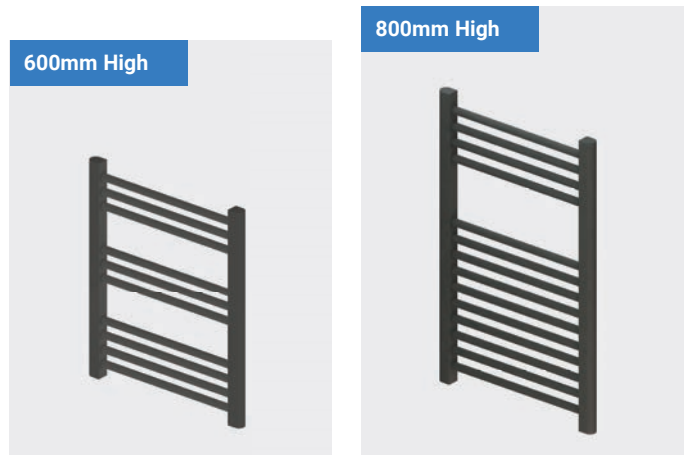
FEATURES

- 22mm diameter horizontal round tubes
- Wide range of sizes to fit in all spaces
- Horizontal sizes to fit under windows
- Tested to BS EN 442 standards
- 5 Year manufacturer's warranty*
- Can be single or dual fuel, or all electric
- * With conditions

**Technical Tables
& Drawings**
Page 742-743



<p>Warranty</p> <p>5</p> <p>Year</p>	<p>Diameter (Ø)</p> <p>22</p> <p>MM Bars</p>	<p>Heating</p>	<p>All Electric</p>	<p>Dual-Fuel</p>
---	---	----------------	---------------------	------------------



Multirail Range

WINGRAVE - STRAIGHT, MATT ANTHRACITE

Wingrave - Straight Matt Anthracite 600mm Height

Size H x W	Watts	BTU	Element Output	Element Type	Code	£ Ex VAT	£ Inc VAT
600 x 300mm	204	697	100W	A, A+, D, E, F, G	89.0666	58.00	69.60
600 x 400mm	257	877	150W	A, A+, D, E, F, G	89.0667	60.00	72.00
600 x 500mm	309	1055	150W	A, A+, D, E, F, G	89.0668	65.00	78.00
600 x 600mm	358	1222	150W	A, A+, D, E, F, G	89.0669	68.00	81.60
600 x 1000mm	543	1853	300W	A, A+, D, E, F, G	89.1445	119.00	142.80
600 x 1200mm	629	2147	300W	A, A+, D, E, F, G	89.1446	130.00	156.00

Wingrave - Straight Matt Anthracite 800mm Height

Size H x W	Watts	BTU	Element Output	Element Type	Code	£ Ex VAT	£ Inc VAT
800 x 300mm	266	908	150W	A, A+, D, E, F, G	89.0670	60.00	72.00
800 x 400mm	337	1150	150W	A, A+, D, E, F, G	89.0668	70.00	84.00
800 x 500mm	404	1379	150W	A, A+, D, E, F, G	89.0073	76.00	91.20
800 x 600mm	468	1597	300W	A, A+, D, E, F, G	89.0078	80.00	96.00

Wingrave - Straight Matt Anthracite 1000mm Height

Size H x W	Watts	BTU	Element Output	Element Type	Code	£ Ex VAT	£ Inc VAT
1000 x 300mm	331	1130	150W	A, A+, D, E, F, G	89.0671	68.00	81.60
1000 x 400mm	419	1430	150W	A, A+, D, E, F, G	89.0069	80.00	96.00
1000 x 500mm	502	1713	300W	A, A+, D, E, F, G	89.0074	85.00	102.00
1000 x 600mm	582	1986	300W	A, A+, D, E, F, G	89.0079	92.00	110.40

Wingrave - Straight Matt Anthracite 1200mm Height

Size H x W	Watts	BTU	Element Output	Element Type	Code	£ Ex VAT	£ Inc VAT
1200 x 300mm	398	1358	150W	A, A+, D, E, F, G	89.0672	79.00	94.80
1200 x 400mm	503	1717	300W	A, A+, D, E, F, G	89.0070	92.00	110.40
1200 x 500mm	604	2061	300W	A, A+, D, E, F, G	89.0075	96.00	115.20
1200 x 600mm	700	2389	300W	A, A+, D, E, F, G	89.0080	103.00	123.60

Wingrave - Straight Matt Anthracite 1400mm Height

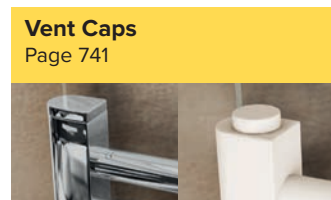
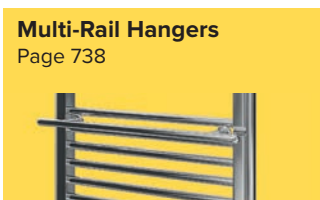
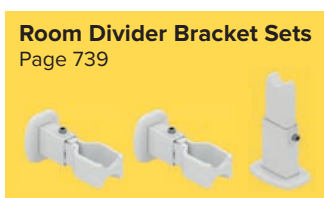
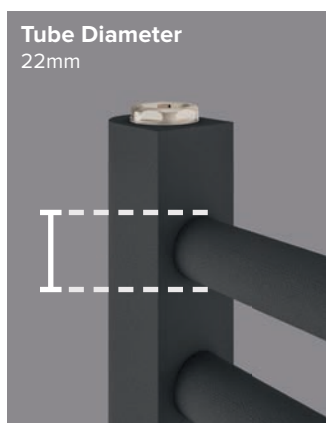
Size H x W	Watts	BTU	Element Output	Element Type	Code	£ Ex VAT	£ Inc VAT
1400 x 300mm	468	1597	150W	A, A+, D, E, F, G	89.0673	91.00	109.20
1400 x 400mm	592	2020	300W	A, A+, D, E, F, G	89.0533	103.00	123.60
1400 x 500mm	710	2423	300W	A, A+, D, E, F, G	89.0534	112.00	134.40
1400 x 600mm	824	2812	450W	A, A+, D, E, F, G	89.0535	120.00	144.00

Wingrave - Straight Matt Anthracite 1600mm Height

Size H x W	Watts	BTU	Element Output	Element Type	Code	£ Ex VAT	£ Inc VAT
1600 x 300mm	542	1850	300W	A, A+, D, E, F, G	89.0674	95.00	114.00
1600 x 400mm	685	2338	300W	A, A+, D, E, F, G	89.0071	113.00	135.60
1600 x 500mm	821	2802	450W	A, A+, D, E, F, G	89.0076	121.00	145.20
1600 x 600mm	953	3252	450W	A, A+, D, E, F, G	89.0081	128.00	153.60

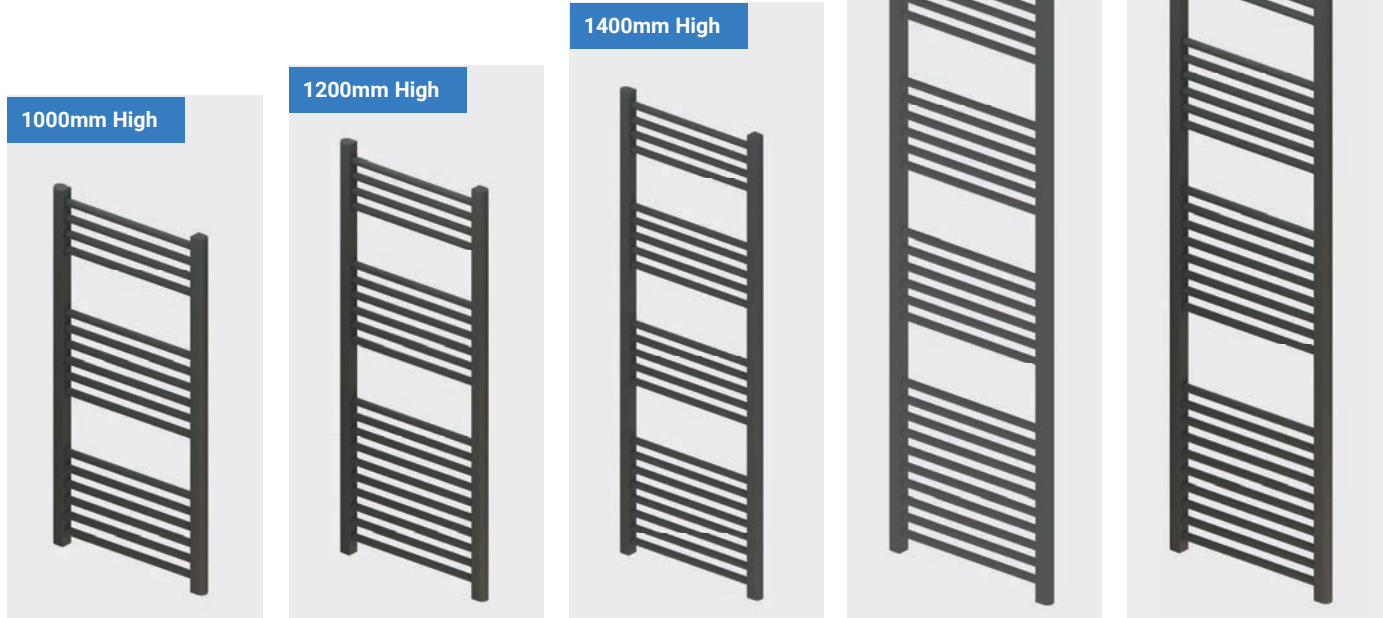
Wingrave - Straight Matt Anthracite 1800mm Height

Size H x W	Watts	BTU	Element Output	Element Type	Code	£ Ex VAT	£ Inc VAT
1800 x 300mm	619	2113	300W	A, A+, D, E, F, G	89.0675	106.00	127.20
1800 x 400mm	782	2669	450W	A, A+, D, E, F, G	89.0072	123.00	147.60
1800 x 500mm	938	3201	450W	A, A+, D, E, F, G	89.0077	145.00	174.00
1800 x 600mm	1088	3713	600W	A, A+, D, E, F, G	89.0082	146.00	175.20



TECHNICAL INFORMATION

All measurements in Height by Width. Heat output based on $\Delta T60^{\circ}\text{C}$. Radiators that are electric only are restricted to the heat output of the elements. Element size can be increased to full capacity of rail if using element type D, E, F or G. For element types see pages 718-729. For matching valves see pages 731-737. For indirect heating systems only. Tappings are approx. 44mm less than the width of the rail and approx. 65mm off the wall. Price includes radiator and wall fixing sets, valves extra.



Multirail Range

WINGRAVE - STRAIGHT, MATT COBALT BLUE



Pictured 89.1607 Matt Cobalt Blue

Technical Tables
& Drawings
Page 742-743



A modern ladder towel rail in a stunning matt cobalt blue finish. This rail will add a touch of class to finish off your bathroom.

FEATURES

- 22mm diameter horizontal round tubes
- Wide range of sizes to fit in all spaces
- Tested to BS EN 442 standards
- 5 Year manufacturer's warranty*
- Can be single or dual fuel, or all electric
- * With conditions

Wingrave - Straight Matt Cobalt Blue

Size H x W	Watts	BTU	Element Output	Element Type	Code	£ Ex VAT	£ Inc VAT
1200 x 500mm	604	2061	300W	A, A+, D, E, F, G	89.1602	96.00	115.20
1200 x 600mm	700	2389	300W	A, A+, D, E, F, G	89.1603	103.00	123.60
1600 x 500mm	821	2802	450W	A, A+, D, E, F, G	89.1604	121.00	145.20
1600 x 600mm	953	3252	450W	A, A+, D, E, F, G	89.1605	128.00	153.60
1800 x 500mm	938	3201	450W	A, A+, D, E, F, G	89.1606	145.00	174.00
1800 x 600mm	1088	3713	600W	A, A+, D, E, F, G	89.1607	146.00	175.20

Warranty

5

Year

Diameter (Ø)

22

MM Bars

Heating



All Electric



Dual-Fuel



Radiator Valves

Page 731-737



Multirail Range

WINGRAVE - STRAIGHT, MATT COBALT BLUE



Pictured 89.1602 Matt Cobalt Blue



Pictured 89.1605 Matt Cobalt Blue

Round Vent Caps
Page 741



Robe Hooks
Page 738



Room Divider Bracket Sets
Page 739



Tube Diameter
22mm



Multi-Rail Hangers
Page 738



TECHNICAL INFORMATION

All measurements in Height by Width. Heat output based on $\Delta T60^{\circ}\text{C}$. Radiators that are electric only are restricted to the heat output of the elements. Element size can be increased to full capacity of rail if using element type D, E, F or G. For element types see pages 718-729. For matching valves see pages 731-737. For indirect heating systems only. Tappings are approx. 44mm less than the width of the rail and approx. 65mm off the wall. Price includes radiator and wall fixing sets, valves extra.

1600mm High



1800mm High



1200mm High



Multirail Range

WINGRAVE - STRAIGHT, MATT BLACK



Pictured 89.1447 Matt Black

Pictured 89.0606 Matt Black

A contemporary straight towel radiator range which comes in chrome, matt anthracite, matt cobalt blue, matt black, matt grey, gloss white and matt white finishes. With a wide variety of sizes, this range not only adds to your bathroom with design simplicity but also keeps your towels warm.

FEATURES

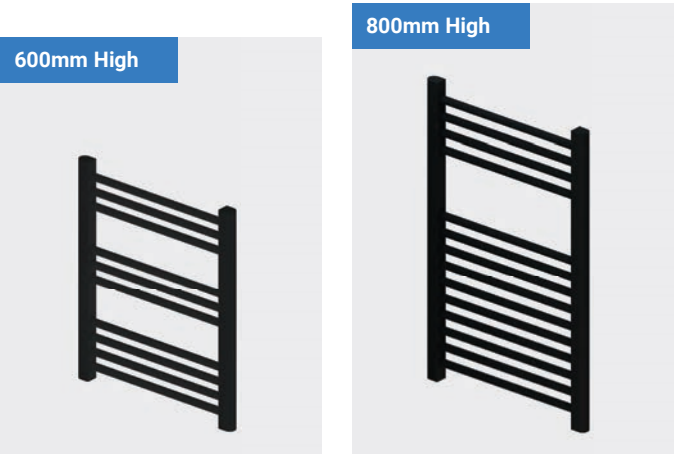
- 22mm diameter horizontal round tubes
 - Wide range of sizes to fit in all spaces
 - Horizontal sizes to fit under windows
 - Tested to BS EN 442 standards
 - 5 Year manufacturer's warranty*
 - Can be single or dual fuel, or all electric
- * With conditions

Technical Tables & Drawings

Page 742-743



Warranty 5 Year	Diameter (Ø) 22 MM Bars	Heating 	All Electric 	Dual-Fuel
-------------------------------------	---	--------------------	-------------------------	----------------------



Multirail Range

WINGRAVE - STRAIGHT, MATT BLACK

Wingrave - Straight Matt Black 600mm Height

Size H x W	Watts	BTU	Element Output	Element Type	Code	£ Ex VAT	£ Inc VAT
600 x 300mm	204	697	100W	A, A+, D, E, F, G	89.0676	58.00	69.60
600 x 400mm	257	877	150W	A, A+, D, E, F, G	89.0677	60.00	72.00
600 x 500mm	309	1055	150W	A, A+, D, E, F, G	89.0678	65.00	78.00
600 x 600mm	358	1222	150W	A, A+, D, E, F, G	89.0679	68.00	81.60
600 x 1000mm	543	1853	300W	A, A+, D, E, F, G	89.1447	119.00	142.80
600 x 1200mm	629	2147	300W	A, A+, D, E, F, G	89.1448	130.00	156.00

Wingrave - Straight Matt Black 800mm Height

Size H x W	Watts	BTU	Element Output	Element Type	Code	£ Ex VAT	£ Inc VAT
800 x 300mm	266	908	150W	A, A+, D, E, F, G	89.0680	60.00	72.00
800 x 400mm	337	1150	150W	A, A+, D, E, F, G	89.0596	70.00	84.00
800 x 500mm	404	1379	150W	A, A+, D, E, F, G	89.0597	76.00	91.20
800 x 600mm	468	1597	300W	A, A+, D, E, F, G	89.0598	80.00	96.00

Wingrave - Straight Matt Black 1000mm Height

Size H x W	Watts	BTU	Element Output	Element Type	Code	£ Ex VAT	£ Inc VAT
1000 x 300mm	331	1130	150W	A, A+, D, E, F, G	89.0681	68.00	81.60
1000 x 400mm	419	1430	150W	A, A+, D, E, F, G	89.0599	80.00	96.00
1000 x 500mm	502	1713	300W	A, A+, D, E, F, G	89.0600	85.00	102.00
1000 x 600mm	582	1986	300W	A, A+, D, E, F, G	89.0601	92.00	110.40

Wingrave - Straight Matt Black 1200mm Height

Size H x W	Watts	BTU	Element Output	Element Type	Code	£ Ex VAT	£ Inc VAT
1200 x 300mm	398	1358	150W	A, A+, D, E, F, G	89.0682	79.00	94.80
1200 x 400mm	503	1717	300W	A, A+, D, E, F, G	89.0602	92.00	110.40
1200 x 500mm	604	2061	300W	A, A+, D, E, F, G	89.0603	96.00	115.20
1200 x 600mm	700	2389	300W	A, A+, D, E, F, G	89.0604	103.00	123.60

Wingrave - Straight Matt Black 1400mm Height

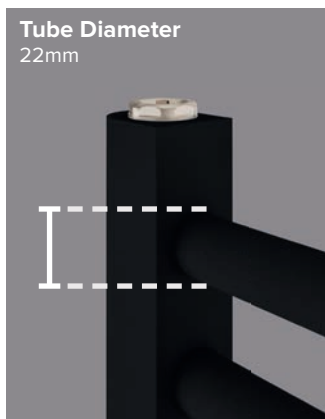
Size H x W	Watts	BTU	Element Output	Element Type	Code	£ Ex VAT	£ Inc VAT
1400 x 300mm	468	1597	150W	A, A+, D, E, F, G	89.0683	91.00	109.20
1400 x 400mm	592	2020	300W	A, A+, D, E, F, G	89.0605	103.00	123.60
1400 x 500mm	710	2423	300W	A, A+, D, E, F, G	89.0606	112.00	134.40
1400 x 600mm	824	2812	450W	A, A+, D, E, F, G	89.0607	120.00	144.00

Wingrave - Straight Matt Black 1600mm Height

Size H x W	Watts	BTU	Element Output	Element Type	Code	£ Ex VAT	£ Inc VAT
1600 x 300mm	542	1850	300W	A, A+, D, E, F, G	89.0684	95.00	114.00
1600 x 400mm	685	2338	300W	A, A+, D, E, F, G	89.0608	113.00	135.60
1600 x 500mm	821	2802	450W	A, A+, D, E, F, G	89.0609	121.00	145.20
1600 x 600mm	953	3252	450W	A, A+, D, E, F, G	89.0610	128.00	153.60

Wingrave - Straight Matt Black 1800mm Height

Size H x W	Watts	BTU	Element Output	Element Type	Code	£ Ex VAT	£ Inc VAT
1800 x 300mm	619	2113	300W	A, A+, D, E, F, G	89.0685	106.00	127.20
1800 x 400mm	782	2669	450W	A, A+, D, E, F, G	89.0611	123.00	147.60
1800 x 500mm	938	3201	450W	A, A+, D, E, F, G	89.0612	145.00	174.00
1800 x 600mm	1088	3713	600W	A, A+, D, E, F, G	89.0613	146.00	175.20



Room Divider Bracket Sets

Page 739



Vent Caps

Page 741



Multi-Rail Hangers

Page 738



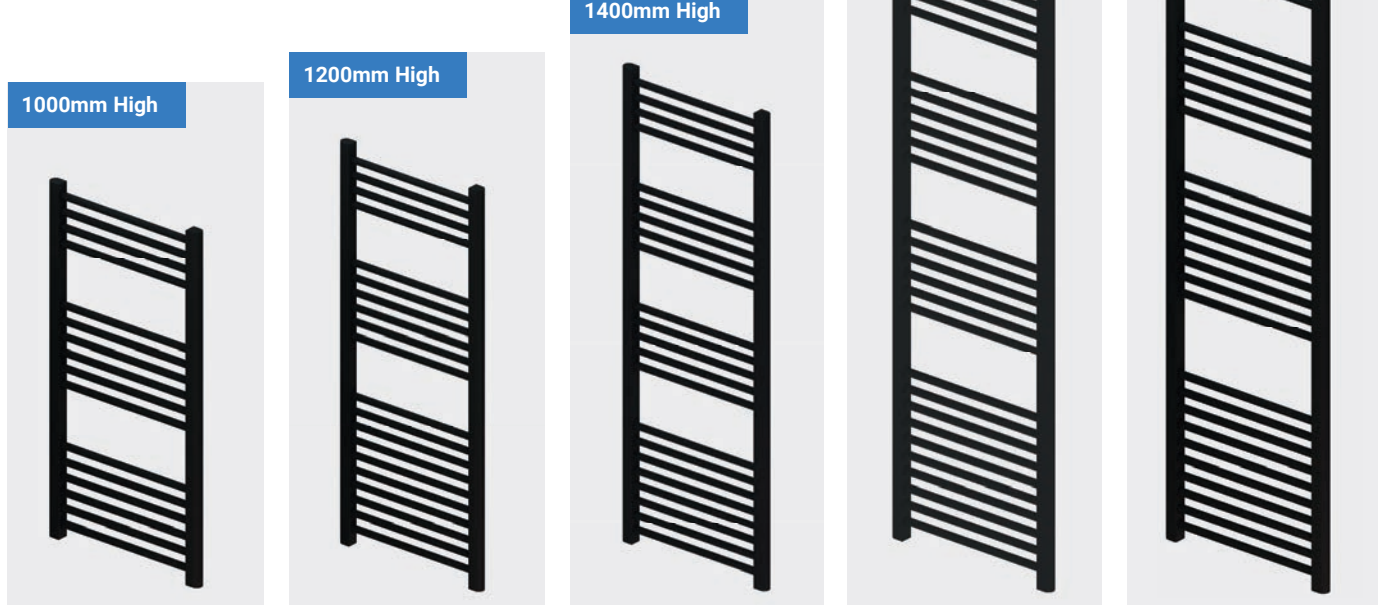
Robe Hooks & Hangers

Page 738



TECHNICAL INFORMATION

All measurements in Height by Width. Heat output based on $\Delta T60^{\circ}\text{C}$. Radiators that are electric only are restricted to the heat output of the elements. Element size can be increased to full capacity of rail if using element type D, E, F or G. For element types see pages 718-729. For matching valves see pages 731-737. For indirect heating systems only. Tappings are approx. 44mm less than the width of the rail and approx. 65mm off the wall. Price includes radiator and wall fixing sets, valves extra.



Multirail Range

WINGRAVE - STRAIGHT, MATT GREY



Pictured 89.1443 Matt Grey

Pictured 89.1425 Matt Grey

A contemporary straight towel radiator range which comes in chrome, matt anthracite, matt cobalt blue, matt black, matt grey, gloss white and matt white finishes. With a wide variety of sizes, this range not only adds to your bathroom with design simplicity but also keeps your towels warm.

FEATURES

- 22mm diameter horizontal round tubes
 - Wide range of sizes to fit in all spaces
 - Horizontal sizes to fit under windows
 - Tested to BS EN 442 standards
 - 5 Year manufacturer's warranty*
 - Can be single or dual fuel, or all electric
- * With conditions

Technical Tables & Drawings

Page 742-743



<p>Warranty</p> <p>5</p> <p>Year</p>	<p>Diameter (Ø)</p> <p>22</p> <p>MM Bars</p>	<p>Heating</p>	<p>All Electric</p>	<p>Dual-Fuel</p>
---	---	----------------	---------------------	------------------

600mm High



800mm High



Multirail Range

WINGRAVE - STRAIGHT, MATT GREY

Wingrave - Straight Matt Grey 600mm Height

Size H x W	Watts	BTU	Element Output	Element Type	Code	£ Ex VAT	£ Inc VAT
600 x 300mm	204	697	100W	A, A+, D, E, F, G	89.1411	58.00	69.60
600 x 400mm	257	877	150W	A, A+, D, E, F, G	89.1412	60.00	72.00
600 x 500mm	309	1055	150W	A, A+, D, E, F, G	89.1413	65.00	78.00
600 x 600mm	358	1222	150W	A, A+, D, E, F, G	89.1414	68.00	81.60
600 x 1000mm	543	1853	300W	A, A+, D, E, F, G	89.1443	119.00	142.80
600 x 1200mm	629	2147	300W	A, A+, D, E, F, G	89.1444	130.00	156.00

Wingrave - Straight Matt Grey 800mm Height

Size H x W	Watts	BTU	Element Output	Element Type	Code	£ Ex VAT	£ Inc VAT
800 x 300mm	266	908	150W	A, A+, D, E, F, G	89.1415	60.00	72.00
800 x 400mm	337	1150	150W	A, A+, D, E, F, G	89.1416	70.00	84.00
800 x 500mm	404	1379	150W	A, A+, D, E, F, G	89.1417	76.00	91.20
800 x 600mm	468	1597	300W	A, A+, D, E, F, G	89.1418	80.00	96.00

Wingrave - Straight Matt Grey 1000mm Height

Size H x W	Watts	BTU	Element Output	Element Type	Code	£ Ex VAT	£ Inc VAT
1000 x 300mm	331	1130	150W	A, A+, D, E, F, G	89.1419	68.00	81.60
1000 x 400mm	419	1430	150W	A, A+, D, E, F, G	89.1420	80.00	96.00
1000 x 500mm	502	1713	300W	A, A+, D, E, F, G	89.1421	85.00	102.00
1000 x 600mm	582	1986	300W	A, A+, D, E, F, G	89.1422	92.00	110.40

Wingrave - Straight Matt Grey 1200mm Height

Size H x W	Watts	BTU	Element Output	Element Type	Code	£ Ex VAT	£ Inc VAT
1200 x 300mm	398	1358	150W	A, A+, D, E, F, G	89.1423	79.00	94.80
1200 x 400mm	503	1717	300W	A, A+, D, E, F, G	89.1424	92.00	110.40
1200 x 500mm	604	2061	300W	A, A+, D, E, F, G	89.1425	96.00	115.20
1200 x 600mm	700	2389	300W	A, A+, D, E, F, G	89.1426	103.00	123.60

Wingrave - Straight Matt Grey 1400mm Height

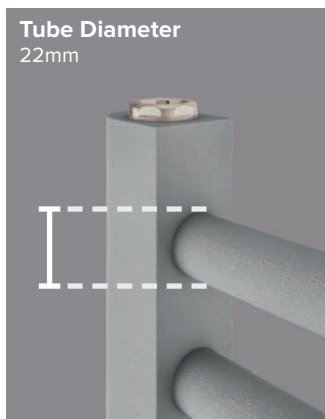
Size H x W	Watts	BTU	Element Output	Element Type	Code	£ Ex VAT	£ Inc VAT
1400 x 300mm	468	1597	150W	A, A+, D, E, F, G	89.1427	91.00	109.20
1400 x 400mm	592	2020	300W	A, A+, D, E, F, G	89.1428	103.00	123.60
1400 x 500mm	710	2423	300W	A, A+, D, E, F, G	89.1429	112.00	134.40
1400 x 600mm	824	2812	450W	A, A+, D, E, F, G	89.1430	120.00	144.00

Wingrave - Straight Matt Grey 1600mm Height

Size H x W	Watts	BTU	Element Output	Element Type	Code	£ Ex VAT	£ Inc VAT
1600 x 300mm	542	1850	300W	A, A+, D, E, F, G	89.1431	95.00	114.00
1600 x 400mm	685	2338	300W	A, A+, D, E, F, G	89.1432	113.00	135.60
1600 x 500mm	821	2802	450W	A, A+, D, E, F, G	89.1433	121.00	145.20
1600 x 600mm	953	3252	450W	A, A+, D, E, F, G	89.1434	128.00	153.60

Wingrave - Straight Matt Grey 1800mm Height

Size H x W	Watts	BTU	Element Output	Element Type	Code	£ Ex VAT	£ Inc VAT
1800 x 300mm	619	2113	300W	A, A+, D, E, F, G	89.1435	106.00	127.20
1800 x 400mm	782	2669	450W	A, A+, D, E, F, G	89.1436	123.00	147.60
1800 x 500mm	938	3201	450W	A, A+, D, E, F, G	89.1437	145.00	174.00
1800 x 600mm	1088	3713	600W	A, A+, D, E, F, G	89.1438	146.00	175.20



Room Divider Bracket Sets

Page 739



Vent Caps

Page 741



Multi-Rail Hangers

Page 738



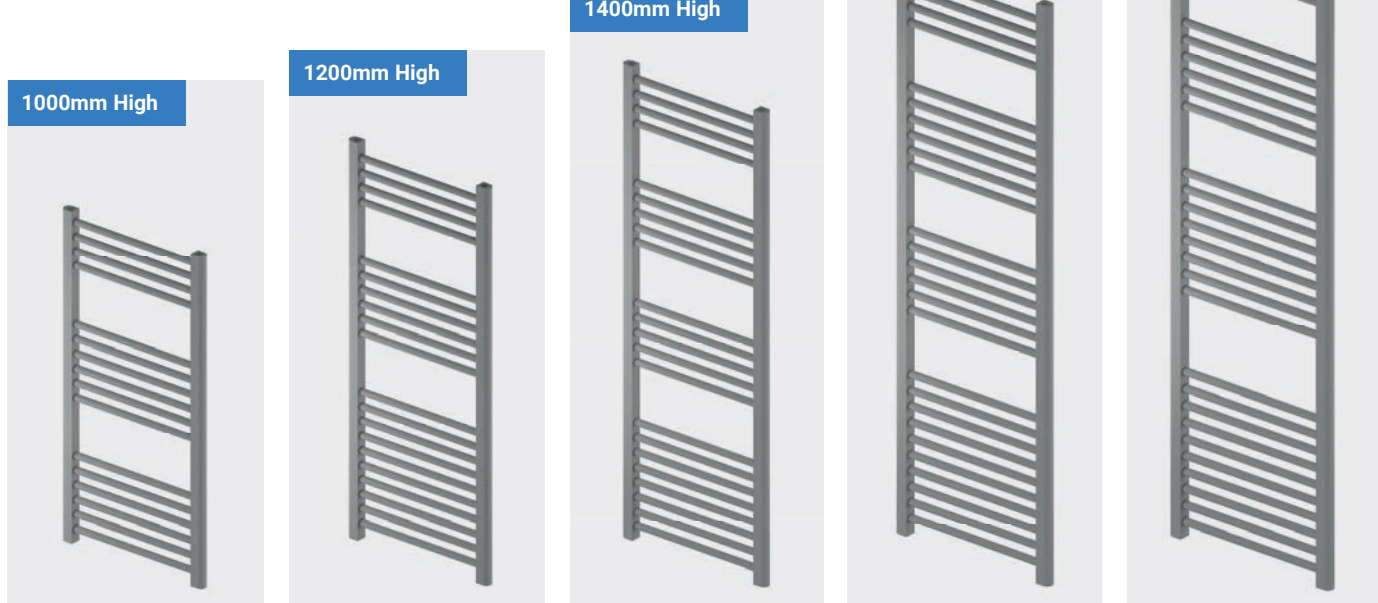
Robe Hooks & Hangers

Page 738



TECHNICAL INFORMATION

All measurements in Height by Width. Heat output based on $\Delta T60^{\circ}C$. Radiators that are electric only are restricted to the heat output of the elements. Element size can be increased to full capacity of rail if using element type D, E, F or G. For element types see pages 718-729. For matching valves see pages 731-737. For indirect heating systems only. Tappings are approx. 44mm less than the width of the rail and approx. 65mm off the wall. Price includes radiator and wall fixing sets, valves extra.



Multirail Range

WINGRAVE - STRAIGHT, GLOSS WHITE



Pictured 89.0127 Gloss White



Pictured 89.0122 Gloss White with 16.153 Room Divider Bracket Set

A contemporary straight towel radiator range which comes in chrome, matt anthracite, matt cobalt blue, matt black, matt grey, gloss white and matt white finishes. With a wide variety of sizes, this range not only adds to your bathroom with design simplicity but also keeps your towels warm.

FEATURES

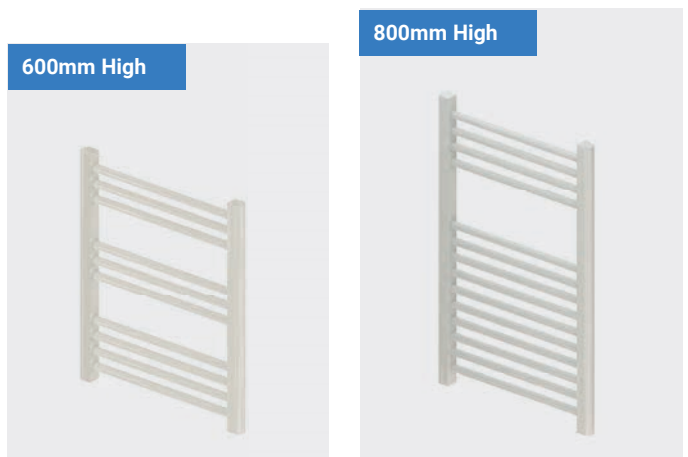
- 22mm diameter horizontal round tubes
 - Wide range of sizes to fit in all spaces
 - Horizontal sizes to fit under windows
 - Tested to BS EN 442 standards
 - 5 Year manufacturer's warranty*
 - Can be single or dual fuel, or all electric
- * With conditions

Technical Tables & Drawings

Page 742-743



<p>Warranty</p> <p>5</p> <p>Year</p>	<p>Diameter (Ø)</p> <p>22</p> <p>MM Bars</p>	<p>Heating</p>	<p>All Electric</p>	<p>Dual-Fuel</p>
---	---	----------------	---------------------	------------------



Multirail Range

WINGRAVE - STRAIGHT, GLOSS WHITE

Wingrave - Straight Gloss White 600mm Height

Size H x W	Watts	BTU	Element Output	Element Type	Code	£ Ex VAT	£ Inc VAT
600 x 300mm	204	697	100W	A, A+, D, E, F, G	89.0646	57.00	68.40
600 x 400mm	257	877	150W	A, A+, D, E, F, G	89.0647	58.00	69.60
600 x 500mm	309	1055	150W	A, A+, D, E, F, G	89.0648	61.00	73.20
600 x 600mm	358	1222	150W	A, A+, D, E, F, G	89.0649	65.00	78.00
600 x 1000mm	543	1853	300W	A, A+, D, F, G	89.1439	119.00	142.80
600 x 1200mm	629	2147	300W	A, A+, D, F, G	89.1440	130.00	156.00

Wingrave - Straight Gloss White 800mm Height

Size H x W	Watts	BTU	Element Output	Element Type	Code	£ Ex VAT	£ Inc VAT
800 x 300mm	266	908	150W	A, A+, D, E, F, G	89.0650	58.00	69.60
800 x 400mm	337	1150	150W	A, A+, D, E, F, G	89.0113	65.00	78.00
800 x 500mm	404	1379	150W	A, A+, D, E, F, G	89.0118	69.00	82.80
800 x 600mm	468	1597	300W	A, A+, D, E, F, G	89.0123	74.00	88.80

Wingrave - Straight Gloss White 1000mm Height

Size H x W	Watts	BTU	Element Output	Element Type	Code	£ Ex VAT	£ Inc VAT
1000 x 300mm	331	1130	150W	A, A+, D, E, F, G	89.0651	65.00	78.00
1000 x 400mm	419	1430	150W	A, A+, D, E, F, G	89.0114	74.00	88.80
1000 x 500mm	502	1713	300W	A, A+, D, E, F, G	89.0119	80.00	96.00
1000 x 600mm	582	1986	300W	A, A+, D, E, F, G	89.0124	84.00	100.80

Wingrave - Straight Gloss White 1200mm Height

Size H x W	Watts	BTU	Element Output	Element Type	Code	£ Ex VAT	£ Inc VAT
1200 x 300mm	398	1358	150W	A, A+, D, E, F, G	89.0652	75.00	90.00
1200 x 400mm	503	1717	300W	A, A+, D, E, F, G	89.0115	84.00	100.80
1200 x 500mm	604	2061	300W	A, A+, D, E, F, G	89.0120	87.00	104.40
1200 x 600mm	700	2389	300W	A, A+, D, E, F, G	89.0125	95.00	114.00

Wingrave - Straight Gloss White 1400mm Height

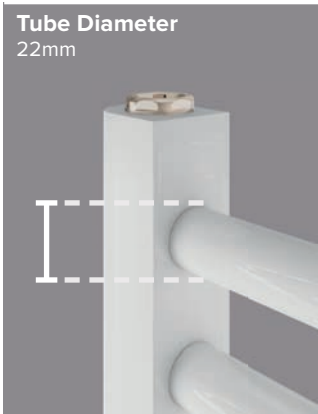
Size H x W	Watts	BTU	Element Output	Element Type	Code	£ Ex VAT	£ Inc VAT
1400 x 300mm	468	1597	150W	A, A+, D, E, F, G	89.0653	91.00	109.20
1400 x 400mm	592	2020	300W	A, A+, D, E, F, G	89.0536	97.00	116.40
1400 x 500mm	710	2423	300W	A, A+, D, E, F, G	89.0537	104.00	124.80
1400 x 600mm	824	2812	450W	A, A+, D, E, F, G	89.0538	115.00	138.00

Wingrave - Straight Gloss White 1600mm Height

Size H x W	Watts	BTU	Element Output	Element Type	Code	£ Ex VAT	£ Inc VAT
1600 x 300mm	542	1850	300W	A, A+, D, E, F, G	89.0654	92.00	110.40
1600 x 400mm	685	2338	300W	A, A+, D, E, F, G	89.0116	101.00	121.20
1600 x 500mm	821	2802	450W	A, A+, D, E, F, G	89.0121	112.00	134.40
1600 x 600mm	953	3252	450W	A, A+, D, E, F, G	89.0126	120.00	144.00

Wingrave - Straight Gloss White 1800mm Height

Size H x W	Watts	BTU	Element Output	Element Type	Code	£ Ex VAT	£ Inc VAT
1800 x 300mm	619	2113	300W	A, A+, D, E, F, G	89.0655	101.00	121.20
1800 x 400mm	782	2669	450W	A, A+, D, E, F, G	89.0117	115.00	138.00
1800 x 500mm	938	3201	450W	A, A+, D, E, F, G	89.0122	130.00	156.00
1800 x 600mm	1088	3713	600W	A, A+, D, E, F, G	89.0127	131.00	157.20



Tube Diameter
22mm

Room Divider Bracket Sets

Page 739



Vent Caps

Page 741



Multi-Rail Hangers

Page 738



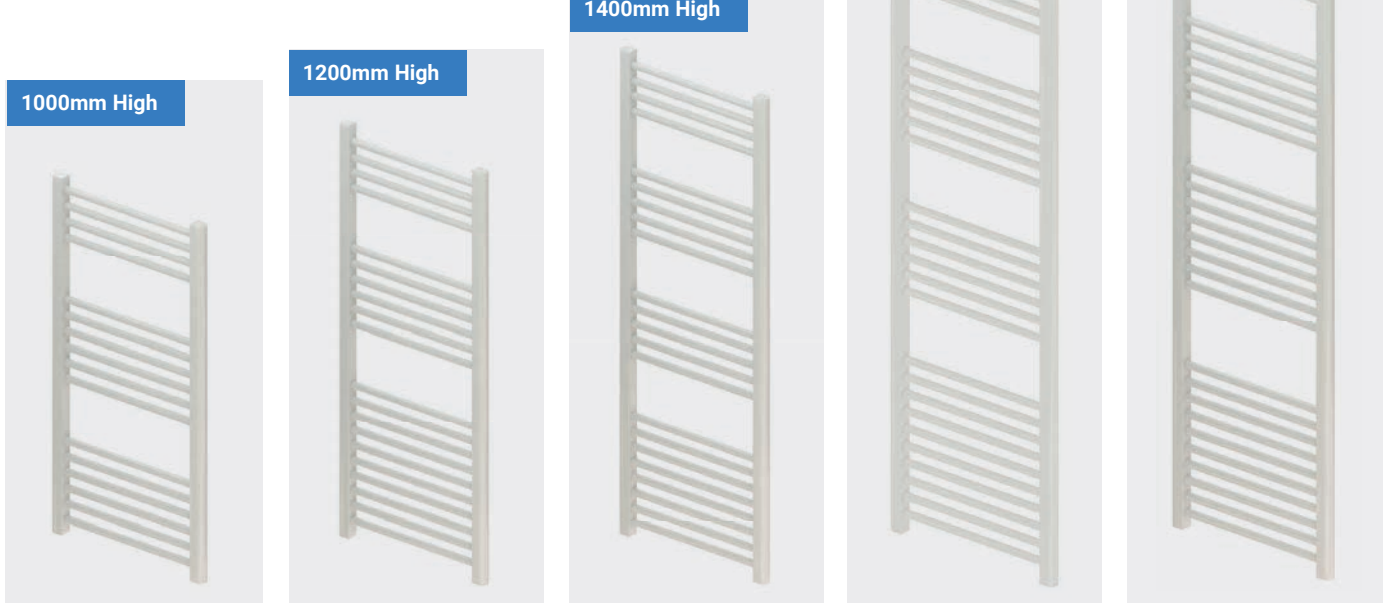
Robe Hooks & Hangers

Page 738



TECHNICAL INFORMATION

All measurements in Height by Width. Heat output based on $\Delta T60^{\circ}\text{C}$. Radiators that are electric only are restricted to the heat output of the elements. Element size can be increased to full capacity of rail if using element type D, E, F or G. For element types see pages 718-729. For matching valves see pages 731-737. For indirect heating systems only. Tappings are approx. 44mm less than the width of the rail and approx. 65mm off the wall. Price includes radiator and wall fixing sets, valves extra.



Multirail Range

WINGRAVE - STRAIGHT, MATT WHITE



Pictured 89.0066 Matt White

Pictured 89.1441 Matt White

A contemporary straight towel radiator range which comes in chrome, matt anthracite, matt cobalt blue, matt black, matt grey, gloss white and matt white finishes. With a wide variety of sizes, this range not only adds to your bathroom with design simplicity but also keeps your towels warm.

FEATURES

- 22mm diameter horizontal round tubes
 - Wide range of sizes to fit in all spaces
 - Horizontal sizes to fit under windows
 - Tested to BS EN 442 standards
 - 5 Year manufacturer's warranty*
 - Can be single or dual fuel, or all electric
- * With conditions

**Technical Tables
& Drawings**
Page 742-743



Warranty

5
Year

Diameter (Ø)

22
MM Bars

Heating



All Electric



Dual-Fuel



600mm High



800mm High



Multirail Range

WINGRAVE - STRAIGHT, MATT WHITE

Wingrave - Straight Matt White 600mm Height

Size H x W	Watts	BTU	Element Output	Element Type	Code	£ Ex VAT	£ Inc VAT
600 x 300mm	204	697	100W	A, A+, D, E, F, G	89.0656	58.00	69.60
600 x 400mm	257	877	150W	A, A+, D, E, F, G	89.0657	60.00	72.00
600 x 500mm	309	1055	150W	A, A+, D, E, F, G	89.0658	65.00	78.00
600 x 600mm	358	1222	150W	A, A+, D, E, F, G	89.0659	68.00	78.00
600 x 1000mm	543	1853	300W	A, A+, D, E, F, G	89.1441	119.00	142.80
600 x 1200mm	629	2147	300W	A, A+, D, E, F, G	89.1442	130.00	156.00

Wingrave - Straight Matt White 800mm Height

Size H x W	Watts	BTU	Element Output	Element Type	Code	£ Ex VAT	£ Inc VAT
800 x 300mm	266	908	150W	A, A+, D, E, F, G	89.0660	60.00	72.00
800 x 400mm	337	1150	150W	A, A+, D, E, F, G	89.0653	70.00	84.00
800 x 500mm	404	1379	150W	A, A+, D, E, F, G	89.0658	76.00	91.20
800 x 600mm	468	1597	300W	A, A+, D, E, F, G	89.0663	80.00	96.00

Wingrave - Straight Matt White 1000mm Height

Size H x W	Watts	BTU	Element Output	Element Type	Code	£ Ex VAT	£ Inc VAT
1000 x 300mm	331	1130	150W	A, A+, D, E, F, G	89.0661	68.00	81.60
1000 x 400mm	419	1430	150W	A, A+, D, E, F, G	89.0654	80.00	96.00
1000 x 500mm	502	1713	300W	A, A+, D, E, F, G	89.0659	85.00	102.00
1000 x 600mm	582	1986	300W	A, A+, D, E, F, G	89.0664	92.00	110.40

Wingrave - Straight Matt White 1200mm Height

Size H x W	Watts	BTU	Element Output	Element Type	Code	£ Ex VAT	£ Inc VAT
1200 x 300mm	398	1358	150W	A, A+, D, E, F, G	89.0662	79.00	94.80
1200 x 400mm	503	1717	300W	A, A+, D, E, F, G	89.0655	92.00	110.40
1200 x 500mm	604	2061	300W	A, A+, D, E, F, G	89.0660	96.00	115.20
1200 x 600mm	700	2389	300W	A, A+, D, E, F, G	89.0665	103.00	123.60

Wingrave - Straight Matt White 1400mm Height

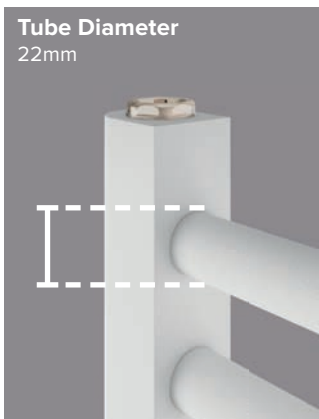
Size H x W	Watts	BTU	Element Output	Element Type	Code	£ Ex VAT	£ Inc VAT
1400 x 300mm	468	1597	150W	A, A+, D, E, F, G	89.0663	91.00	109.20
1400 x 400mm	592	2020	300W	A, A+, D, E, F, G	89.0539	103.00	123.60
1400 x 500mm	710	2423	300W	A, A+, D, E, F, G	89.0540	112.00	134.40
1400 x 600mm	824	2812	450W	A, A+, D, E, F, G	89.0541	120.00	144.00

Wingrave - Straight Matt White 1600mm Height

Size H x W	Watts	BTU	Element Output	Element Type	Code	£ Ex VAT	£ Inc VAT
1600 x 300mm	542	1850	300W	A, A+, D, E, F, G	89.0664	95.00	114.00
1600 x 400mm	685	2338	300W	A, A+, D, E, F, G	89.0656	113.00	135.60
1600 x 500mm	821	2802	450W	A, A+, D, E, F, G	89.0661	121.00	145.20
1600 x 600mm	953	3252	450W	A, A+, D, E, F, G	89.0666	128.00	153.60

Wingrave - Straight Matt White 1800mm Height

Size H x W	Watts	BTU	Element Output	Element Type	Code	£ Ex VAT	£ Inc VAT
1800 x 300mm	619	2113	300W	A, A+, D, E, F, G	89.0665	106.00	127.20
1800 x 400mm	782	2669	450W	A, A+, D, E, F, G	89.0657	123.00	147.60
1800 x 500mm	938	3201	450W	A, A+, D, E, F, G	89.0662	145.00	174.00
1800 x 600mm	1088	3713	600W	A, A+, D, E, F, G	89.0667	146.00	175.20



Room Divider Bracket Sets

Page 739



Vent Caps

Page 741



Multi-Rail Hangers

Page 738



Robe Hooks & Hangers

Page 738



TECHNICAL INFORMATION

All measurements in Height by Width. Heat output based on $\Delta T60^{\circ}\text{C}$. Radiators that are electric only are restricted to the heat output of the elements. Element size can be increased to full capacity of rail if using element type D, E, F or G. For element types see pages 718-729. For matching valves see pages 731-737. For indirect heating systems only. Tappings are approx. 44mm less than the width of the rail and approx. 65mm off the wall. Price includes radiator and wall fixing sets, valves extra.



Multirail Range

WINGRAVE - CURVED CHROME



Pictured 89.0392 Chrome

A high quality contemporary range available in a curved design and chrome finish. Available with robe hook accessories. This range is the ultimate in simplicity of style and practicality for your bathroom, keeping your towels warm.

FEATURES

- 22mm diameter horizontal round tubes
- Tested to BS EN 442 standards
- 5 Year manufacturer's warranty*
- Can be single or dual fuel, or all electric
- * With conditions

**Technical Tables
& Drawings**
Page 742-743



Warranty 5 Year	Diameter (Ø) 22 MM Bars	Heating 	All Electric 	Dual-Fuel
-------------------------------------	---	--------------------	-------------------------	----------------------

Multirail Range

WINGRAVE - CURVED CHROME

Wingrave - Curved Chrome 800mm Height

Size H x W	Watts	BTU	Element Output	Element Type	Code	£ Ex VAT	£ Inc VAT
800 x 400mm	217	741	150W	A, A+, D, E, F, G	89.0384	101.00	121.20
800 x 500mm	261	891	150W	A, A+, D, E, F, G	89.0385	118.00	141.60
800 x 600mm	303	1034	150W	A, A+, D, E, F, G	89.0386	125.00	150.00

Wingrave - Curved Chrome 1000mm Height

Size H x W	Watts	BTU	Element Output	Element Type	Code	£ Ex VAT	£ Inc VAT
1000 x 400mm	269	918	150W	A, A+, D, E, F, G	89.0387	121.00	145.20
1000 x 500mm	324	1106	150W	A, A+, D, E, F, G	89.0388	132.00	158.40
1000 x 600mm	376	1283	150W	A, A+, D, E, F, G	89.0389	147.00	176.40

Wingrave - Curved Chrome 1200mm Height

Size H x W	Watts	BTU	Element Output	Element Type	Code	£ Ex VAT	£ Inc VAT
1200 x 400mm	324	1106	150W	A, A+, D, E, F, G	89.0390	141.00	169.20
1200 x 500mm	390	1331	150W	A, A+, D, E, F, G	89.0391	156.00	187.20
1200 x 600mm	454	1550	300W	A, A+, D, E, F, G	89.0392	173.00	207.60

Wingrave - Curved Chrome 1600mm Height

Size H x W	Watts	BTU	Element Output	Element Type	Code	£ Ex VAT	£ Inc VAT
1600 x 400mm	446	1522	150W	A, A+, D, E, F, G	89.0393	184.00	220.80
1600 x 500mm	537	1833	300W	A, A+, D, E, F, G	89.0394	202.00	242.40
1600 x 600mm	624	2130	300W	A, A+, D, E, F, G	89.0395	220.00	264.00

Wingrave - Curved Chrome 1800mm Height

Size H x W	Watts	BTU	Element Output	Element Type	Code	£ Ex VAT	£ Inc VAT
1800 x 400mm	514	1754	300W	A, A+, D, E, F, G	89.0396	206.00	247.20
1800 x 500mm	618	2109	300W	A, A+, D, E, F, G	89.0397	228.00	273.60
1800 x 600mm	719	2454	450W	A, A+, D, E, F, G	89.0398	245.00	294.00

D Shape Vent Caps

Page 741



Robe Hooks

Page 738



Radiator Valves

Page 731-737



TECHNICAL INFORMATION

All measurements in Height by Width. Heat output based on $\Delta T60^{\circ}\text{C}$. Radiators that are electric only are restricted to the heat output of the elements. Element size can be increased to full capacity of rail if using element type D, E, F or G. For element types see pages 718-729. For matching valves see pages 731-737. For indirect heating systems only. Tappings are approx. 44mm less than the width of the rail and approx. 65mm off the wall. Price includes radiator and wall fixing sets, valves extra.

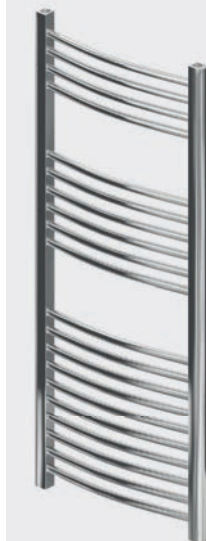
800mm High



1000mm High



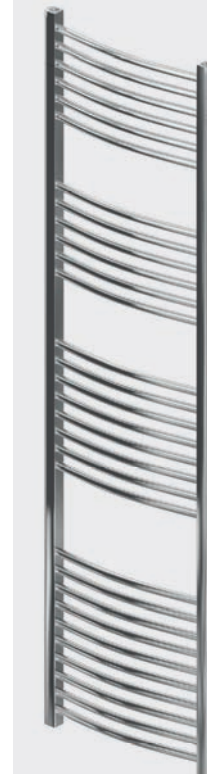
1200mm High



1600mm High



1800mm High



Multirail Range

WINGRAVE - CURVED GLOSS WHITE



Pictured 89.0704 Gloss White




A high quality contemporary range available in a curved gloss white finish. Available with robe hook accessories. This range is the ultimate in simplicity of style and practicality for your bathroom, keeping your towels warm.

FEATURES

- 22mm diameter horizontal round tubes
- Tested to BS EN 442 standards
- 5 Year manufacturer's warranty*
- Can be single or dual fuel, or all electric
- * With conditions

**Technical Tables
& Drawings**
Page 742-743



<p>Warranty</p> <p>5</p> <p>Year</p>	<p>Diameter (Ø)</p> <p>22</p> <p>MM Bars</p>	<p>Heating</p> 	<p>All Electric</p> 	<p>Dual-Fuel</p> 
---	---	--	---	--

Multirail Range

WINGRAVE - CURVED GLOSS WHITE

Wingrave - Curved Gloss White 800mm Height

Size H x W	Watts	BTU	Element Output	Element Type	Code	£ Ex VAT	£ Inc VAT
800 x 400mm	337	1150	150W	A, A+, D, E, F, G	89.0696	68.00	81.60
800 x 500mm	404	1379	150W	A, A+, D, E, F, G	89.0697	74.00	88.80
800 x 600mm	468	1597	300W	A, A+, D, E, F, G	89.0698	79.00	94.80

Wingrave - Curved Gloss White 1000mm Height

Size H x W	Watts	BTU	Element Output	Element Type	Code	£ Ex VAT	£ Inc VAT
1000 x 400mm	419	1430	150W	A, A+, D, E, F, G	89.0699	79.00	94.80
1000 x 500mm	502	1713	300W	A, A+, D, E, F, G	89.0700	84.00	100.80
1000 x 600mm	582	1986	300W	A, A+, D, E, F, G	89.0701	87.00	104.40

Wingrave - Curved Gloss White 1200mm Height

Size H x W	Watts	BTU	Element Output	Element Type	Code	£ Ex VAT	£ Inc VAT
1200 x 400mm	503	1717	300W	A, A+, D, E, F, G	89.0702	87.00	104.40
1200 x 500mm	604	2061	300W	A, A+, D, E, F, G	89.0703	93.00	111.60
1200 x 600mm	700	2389	300W	A, A+, D, E, F, G	89.0704	98.00	117.60

Wingrave - Curved Gloss White 1600mm Height

Size H x W	Watts	BTU	Element Output	Element Type	Code	£ Ex VAT	£ Inc VAT
1600 x 400mm	685	2338	300W	A, A+, D, E, F, G	89.0705	107.00	128.40
1600 x 500mm	821	2802	450W	A, A+, D, E, F, G	89.0706	119.00	142.80
1600 x 600mm	953	3252	450W	A, A+, D, E, F, G	89.0707	125.00	150.00

Wingrave - Curved Gloss White 1800mm Height

Size H x W	Watts	BTU	Element Output	Element Type	Code	£ Ex VAT	£ Inc VAT
1800 x 400mm	782	2669	450W	A, A+, D, E, F, G	89.0708	121.00	145.20
1800 x 500mm	938	3201	450W	A, A+, D, E, F, G	89.0709	137.00	164.40
1800 x 600mm	1088	3713	600W	A, A+, D, E, F, G	89.0710	139.00	166.80

D Shape Vent Caps

Page 741



Robe Hooks

Page 738



Radiator Valves

Page 731-737



TECHNICAL INFORMATION

All measurements in Height by Width. Heat output based on $\Delta T60^{\circ}\text{C}$. Radiators that are electric only are restricted to the heat output of the elements. Element size can be increased to full capacity of rail if using element type D, E, F or G. For element types see pages 718-729. For matching valves see pages 731-737. For indirect heating systems only. Tappings are approx. 44mm less than the width of the rail and approx. 65mm off the wall. Price includes radiator and wall fixing sets, valves extra.

800mm High



1000mm High



1200mm High



1600mm High



1800mm High



Multirail Range

WENDOVER - STRAIGHT, CHROME



Pictured 41.0245 Chrome

Technical Tables & Drawings
Page 744-745

A modern ladder towel rail, available in a vast array of sizes including 600mm high by 1200mm wide, as pictured above, which is ideal for under-window situation. The Wendover range is available in chrome, brushed brass, gloss white and matt anthracite, along with matching radiator valves and pipe shrouds.

Wendover - Straight Chrome 360mm Height							
Size H x W	Watts	BTU	Element Output	Element Type	Code	£ Ex VAT	£ Inc VAT
360 x 400mm	112	347	N/A	N/A	41.0267	70.00	84.00

Wendover - Straight Chrome 600mm Height							
Size H x W	Watts	BTU	Element Output	Element Type	Code	£ Ex VAT	£ Inc VAT
600 x 300mm	155	529	100W	A, A+, D, E, F, G	41.0085	87.00	104.40
600 x 400mm	190	648	100W	A, A+, D, E, F, G	41.0082	95.00	114.00
600 x 500mm	225	768	100W	A, A+, D, E, F, G	41.0083	101.00	121.20
600 x 600mm	260	887	150W	A, A+, D, E, F, G	41.0084	110.00	132.00
600 x 750mm	313	1068	150W	A, A+, D, E, F, G	41.0076	124.00	148.80
600 x 1000mm	401	1368	150W	A, A+, D, E, F, G	41.0244	185.00	222.00
600 x 1200mm	472	1610	150W	A, A+, D, E, F, G	41.0245	206.00	247.20

Warranty

5

Year

Diameter (Ø)

22

MM Bars

Heating

All Electric

Dual-Fuel



Multirail Range

WENDOVER - STRAIGHT, CHROME

Wendover - Straight Chrome 800mm Height

Size H x W	Watts	BTU	Element Output	Element Type	Code	£ Ex VAT	£ Inc VAT
800 x 300mm	211	720	100W	A, A+, D, E, F, G	41.0086	106.00	127.20
800 x 400mm	260	887	150W	A, A+, D, E, F, G	41.0001	113.00	135.60
800 x 500mm	309	1054	150W	A, A+, D, E, F, G	41.0003	121.00	145.20
800 x 600mm	359	1225	150W	A, A+, D, E, F, G	41.0005	129.00	154.80
800 x 750mm	433	1477	150W	A, A+, D, E, F, G	41.0077	158.00	189.60

Wendover - Straight Chrome 1000mm Height

Size H x W	Watts	BTU	Element Output	Element Type	Code	£ Ex VAT	£ Inc VAT
1000 x 300mm	251	856	150W	A, A+, D, E, F, G	41.0087	123.00	147.60
1000 x 400mm	308	1051	150W	A, A+, D, E, F, G	41.0007	129.00	154.80
1000 x 500mm	364	1242	150W	A, A+, D, E, F, G	41.0009	139.00	166.80
1000 x 600mm	421	1436	150W	A, A+, D, E, F, G	41.0011	148.00	177.60
1000 x 750mm	506	1726	300W	A, A+, D, E, F, G	41.0078	181.00	217.20

Wendover - Straight Chrome 1200mm Height

Size H x W	Watts	BTU	Element Output	Element Type	Code	£ Ex VAT	£ Inc VAT
1200 x 300mm	308	1051	150W	A, A+, D, E, F, G	41.0088	145.00	174.00
1200 x 400mm	379	1293	150W	A, A+, D, E, F, G	41.0013	148.00	177.60
1200 x 500mm	450	1535	150W	A, A+, D, E, F, G	41.0015	160.00	192.00
1200 x 600mm	554	1890	300W	A, A+, D, E, F, G	41.0017	176.00	211.20
1200 x 750mm	626	2136	300W	A, A+, D, E, F, G	41.0079	217.00	260.40

Wendover - Straight Chrome 1600mm Height

Size H x W	Watts	BTU	Element Output	Element Type	Code	£ Ex VAT	£ Inc VAT
1600 x 300mm	406	1385	150W	A, A+, D, E, F, G	41.0089	178.00	213.60
1600 x 400mm	497	1696	300W	A, A+, D, E, F, G	41.0019	185.00	222.00
1600 x 500mm	589	2010	300W	A, A+, D, E, F, G	41.0021	202.00	242.40
1600 x 600mm	681	2324	300W	A, A+, D, E, F, G	41.0023	220.00	264.00
1600 x 750mm	819	2794	450W	A, A+, D, E, F, G	41.0080	273.00	327.60

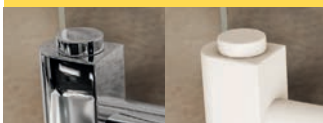
Wendover - Straight Chrome 1800mm Height

Size H x W	Watts	BTU	Element Output	Element Type	Code	£ Ex VAT	£ Inc VAT
1800 x 300mm	462	1576	150W	A, A+, D, E, F, G	41.0090	197.00	236.40
1800 x 400mm	568	1938	300W	A, A+, D, E, F, G	41.0025	206.00	247.20
1800 x 500mm	675	2303	300W	A, A+, D, E, F, G	41.0027	228.00	273.60
1800 x 600mm	780	2661	450W	A, A+, D, E, F, G	41.0029	246.00	295.20
1800 x 750mm	940	3207	450W	A, A+, D, E, F, G	41.0081	305.00	366.00

Room Divider Bracket Sets Page 739



Round Vent Caps Page 741



Robe Hooks Page 738



Towel Hangers Page 738

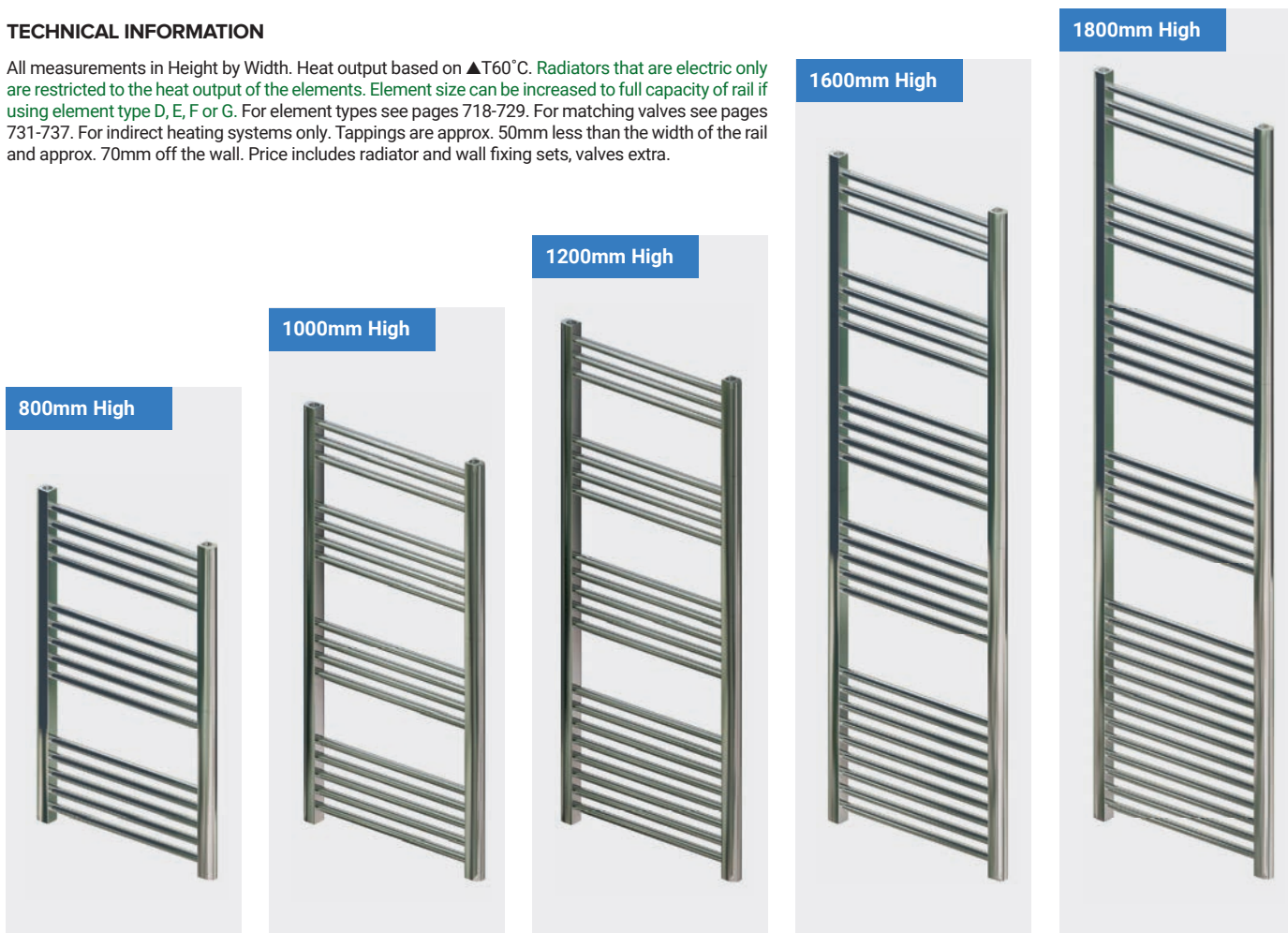


Multi-Rail Hangers Page 738



TECHNICAL INFORMATION

All measurements in Height by Width. Heat output based on $\Delta T60^{\circ}\text{C}$. Radiators that are electric only are restricted to the heat output of the elements. Element size can be increased to full capacity of rail if using element type D, E, F or G. For element types see pages 718-729. For matching valves see pages 731-737. For indirect heating systems only. Tappings are approx. 50mm less than the width of the rail and approx. 70mm off the wall. Price includes radiator and wall fixing sets, valves extra.



Multirail Range

WENDOVER - CURVED, CHROME



Pictured 41.0035 Chrome

Technical Tables
& Drawings
Page 744-745



A modern ladder towel rail, with a range of sizes available, from 600 x 400mm to 1800 x 750mm. Available in straight and curved options as well as chrome, gloss white and matt anthracite finishes.

FEATURES

- 22mm diameter horizontal round tubes
 - Tested to BS EN 442 standards
 - 5 Year manufacturer's warranty*
 - Can be single or dual fuel, or all electric
- * With conditions

Warranty 5 Year	Diameter (Ø) 22 MM Bars	Heating 	All Electric 	Dual-Fuel
-------------------------------------	---	--------------------	-------------------------	----------------------

800mm High



600mm High



Multirail Range

WENDOVER - CURVED, CHROME

Wendover - Curved Chrome 600mm Height

Size H x W	Watts	BTU	Element Output	Element Type	Code	£ Ex VAT	£ Inc VAT
600 x 400mm	190	648	100W	A, A+, D, E, F, G	41.0106	96.00	115.20
600 x 500mm	225	768	100W	A, A+, D, E, F, G	41.0107	103.00	123.60
600 x 600mm	260	887	150W	A, A+, D, E, F, G	41.0108	113.00	135.60
600 x 750mm	313	1068	150W	A, A+, D, E, F, G	41.0100	129.00	154.80

Wendover - Curved Chrome 800mm Height

Size H x W	Watts	BTU	Element Output	Element Type	Code	£ Ex VAT	£ Inc VAT
800 x 400mm	263	897	150W	A, A+, D, E, F, G	41.0031	118.00	141.60
800 x 500mm	312	1065	150W	A, A+, D, E, F, G	41.0033	123.00	147.60
800 x 600mm	361	1232	150W	A, A+, D, E, F, G	41.0035	132.00	158.40
800 x 750mm	433	1477	150W	A, A+, D, E, F, G	41.0101	165.00	198.00

Wendover - Curved Chrome 1000mm Height

Size H x W	Watts	BTU	Element Output	Element Type	Code	£ Ex VAT	£ Inc VAT
1000 x 400mm	310	1058	150W	A, A+, D, E, F, G	41.0037	130.00	156.00
1000 x 500mm	367	1252	150W	A, A+, D, E, F, G	41.0039	142.00	170.40
1000 x 600mm	423	1443	150W	A, A+, D, E, F, G	41.0041	150.00	180.00
1000 x 750mm	506	1726	300W	A, A+, D, E, F, G	41.0102	185.00	222.00

Wendover - Curved Chrome 1200mm Height

Size H x W	Watts	BTU	Element Output	Element Type	Code	£ Ex VAT	£ Inc VAT
1200 x 400mm	382	1303	150W	A, A+, D, E, F, G	41.0043	150.00	180.00
1200 x 500mm	452	1542	150W	A, A+, D, E, F, G	41.0045	168.00	201.60
1200 x 600mm	523	1784	300W	A, A+, D, E, F, G	41.0047	180.00	216.00
1200 x 750mm	626	2136	300W	A, A+, D, E, F, G	41.0103	222.00	266.40

Wendover - Curved Chrome 1600mm Height

Size H x W	Watts	BTU	Element Output	Element Type	Code	£ Ex VAT	£ Inc VAT
1600 x 400mm	501	1709	300W	A, A+, D, E, F, G	41.0049	193.00	231.60
1600 x 500mm	593	2023	300W	A, A+, D, E, F, G	41.0051	211.00	253.20
1600 x 600mm	685	2337	300W	A, A+, D, E, F, G	41.0053	227.00	272.40
1600 x 750mm	819	2794	450W	A, A+, D, E, F, G	41.0104	281.00	337.20

Wendover - Curved Chrome 1800mm Height

Size H x W	Watts	BTU	Element Output	Element Type	Code	£ Ex VAT	£ Inc VAT
1800 x 400mm	573	1955	300W	A, A+, D, E, F, G	41.0055	217.00	260.40
1800 x 500mm	678	2313	300W	A, A+, D, E, F, G	41.0057	235.00	282.00
1800 x 600mm	784	2675	450W	A, A+, D, E, F, G	41.0059	253.00	303.60
1800 x 750mm	940	3207	450W	A, A+, D, E, F, G	41.0105	316.00	379.20

Round Vent Caps
Page 741

Robe Hooks
Page 738

Radiator Valves
Page 731-737

TECHNICAL INFORMATION

All measurements in Height by Width. Heat output based on $\Delta T60^{\circ}\text{C}$. Radiators that are electric only are restricted to the heat output of the elements. Element size can be increased to full capacity of rail if using element type D, E, F or G. For element types see pages 718-729. For matching valves see pages 731-737. For indirect heating systems only. Tappings are approx. 50mm less than the width of the rail and approx. 70mm off the wall. Price includes radiator and wall fixing sets, valves extra.



Multirail Range



WENDOVER - STRAIGHT, GLOSS WHITE

Pictured 41.0028 Gloss White

A modern ladder towel rail, with a range of sizes available including 360 x 400mm to 1800 x 750mm. Available in straight and curved options as well as chrome, gloss white and matt anthracite finishes.

FEATURES

- 22mm diameter horizontal round tubes
- Tested to BS EN 442 standards
- 5 Year manufacturer's warranty*
- Can be single or dual fuel, or all electric
- * With conditions

Technical Tables & Drawings
Page 744-745



Warranty 5 Year	Diameter (Ø) 22 MM Bars	Heating 	All Electric 	Dual-Fuel
-------------------------------------	---	--------------------	-------------------------	----------------------

Wendover - Straight Gloss White 360mm Height							
Size H x W	Watts	BTU	Element Output	Element Type	Code	£ Ex VAT	£ Inc VAT
360 x 400mm	112	423	N/A	N/A	41.0266	44.00	52.80

Wendover - Straight Gloss White 600mm Height							
Size H x W	Watts	BTU	Element Output	Element Type	Code	£ Ex VAT	£ Inc VAT
600 x 300mm	196	669	100W	A, A+, D, E, F, G	41.0070	53.00	63.60
600 x 400mm	241	822	150W	A, A+, D, E, F, G	41.0067	59.00	70.80
600 x 500mm	285	972	150W	A, A+, D, E, F, G	41.0068	61.00	73.20
600 x 600mm	330	1126	150W	A, A+, D, E, F, G	41.0069	65.00	78.00
600 x 750mm	397	1355	150W	A, A+, D, E, F, G	41.0061	75.00	90.00
600 x 1000mm	510	1740	300W	A, A+, D, E, F, G	41.0246	110.00	132.00
600 x 1200mm	600	2047	300W	A, A+, D, E, F, G	41.0247	119.00	142.80

Wendover - Straight Gloss White 800mm Height							
Size H x W	Watts	BTU	Element Output	Element Type	Code	£ Ex VAT	£ Inc VAT
800 x 300mm	267	911	150W	A, A+, D, E, F, G	41.0071	62.00	74.40
800 x 400mm	330	1126	150W	A, A+, D, E, F, G	41.0002	66.00	79.20
800 x 500mm	394	1344	150W	A, A+, D, E, F, G	41.0004	70.00	84.00
800 x 600mm	457	1559	150W	A, A+, D, E, F, G	41.0006	75.00	90.00
800 x 750mm	551	1880	300W	A, A+, D, E, F, G	41.0062	91.00	109.20

Wendover - Straight Gloss White 1000mm Height							
Size H x W	Watts	BTU	Element Output	Element Type	Code	£ Ex VAT	£ Inc VAT
1000 x 300mm	320	1092	150W	A, A+, D, E, F, G	41.0072	74.00	88.80
1000 x 400mm	392	1338	150W	A, A+, D, E, F, G	41.0008	75.00	90.00
1000 x 500mm	464	1583	150W	A, A+, D, E, F, G	41.0010	80.00	96.00
1000 x 600mm	535	1825	300W	A, A+, D, E, F, G	41.0012	85.00	102.00
1000 x 750mm	643	2194	300W	A, A+, D, E, F, G	41.0063	101.00	121.20

Wendover - Straight Gloss White 1200mm Height							
Size H x W	Watts	BTU	Element Output	Element Type	Code	£ Ex VAT	£ Inc VAT
1200 x 300mm	392	1338	150W	A, A+, D, E, F, G	41.0073	83.00	99.60
1200 x 400mm	482	1645	300W	A, A+, D, E, F, G	41.0014	85.00	102.00
1200 x 500mm	571	1948	300W	A, A+, D, E, F, G	41.0016	91.00	109.20
1200 x 600mm	661	2255	300W	A, A+, D, E, F, G	41.0018	96.00	115.20
1200 x 750mm	796	2716	450W	A, A+, D, E, F, G	41.0064	120.00	144.00

Wendover - Straight Gloss White 1600mm Height							
Size H x W	Watts	BTU	Element Output	Element Type	Code	£ Ex VAT	£ Inc VAT
1600 x 300mm	516	1761	300W	A, A+, D, E, F, G	41.0074	97.00	116.40
1600 x 400mm	632	2156	300W	A, A+, D, E, F, G	41.0020	103.00	123.60
1600 x 500mm	749	2556	450W	A, A+, D, E, F, G	41.0022	113.00	135.60
1600 x 600mm	867	2958	450W	A, A+, D, E, F, G	41.0024	121.00	145.20
1600 x 750mm	1041	3552	600W	A, A+, D, E, F, G	41.0065	147.00	176.40

Wendover - Straight Gloss White 1800mm Height							
Size H x W	Watts	BTU	Element Output	Element Type	Code	£ Ex VAT	£ Inc VAT
1800 x 300mm	588	2006	300W	A, A+, D, E, F, G	41.0075	110.00	132.00
1800 x 400mm	723	2467	300W	A, A+, D, E, F, G	41.0026	118.00	141.60
1800 x 500mm	856	2921	450W	A, A+, D, E, F, G	41.0028	124.00	148.80
1800 x 600mm	991	3381	600W	A, A+, D, E, F, G	41.0030	134.00	160.80
1800 x 750mm	1193	4071	600W	A, A+, D, E, F, G	41.0066	167.00	200.40

Round Vent Caps
Page 741

Robe Hooks
Page 738

Room Divider Bracket Sets
Page 739

Multi-Rail Hangers
Page 738

Multirail Range



Pictured 41.0036 Gloss White

A modern ladder towel rail, with a range of sizes available including 600 x 400mm to 1800 x 750mm. Available in straight and curved options as well as chrome, gloss white and matt anthracite finishes.

FEATURES

- 22mm diameter horizontal round tubes
- Tested to BS EN 442 standards
- 5 Year manufacturer's warranty*
- Can be single or dual fuel, or all electric
- * With conditions

Technical Tables & Drawings
Page 744-745



WENDOVER - CURVED, GLOSS WHITE

Wendover - Curved Gloss White 600mm Height

Size H x W	Watts	BTU	Element Output	Element Type	Code	£ Ex VAT	£ Inc VAT
600 x 400mm	241	822	150W	A, A+, D, E, F, G	41.0097	60.00	72.00
600 x 500mm	285	972	150W	A, A+, D, E, F, G	41.0098	62.00	74.40
600 x 600mm	330	1126	150W	A, A+, D, E, F, G	41.0099	66.00	79.20
600 x 750mm	397	1355	150W	A, A+, D, E, F, G	41.0091	76.00	91.20

Wendover - Curved Gloss White 800mm Height

Size H x W	Watts	BTU	Element Output	Element Type	Code	£ Ex VAT	£ Inc VAT
800 x 400mm	333	1136	150W	A, A+, D, E, F, G	41.0032	69.00	82.80
800 x 500mm	396	1351	150W	A, A+, D, E, F, G	41.0034	74.00	88.80
800 x 600mm	459	1566	150W	A, A+, D, E, F, G	41.0036	79.00	94.80
800 x 750mm	551	1880	300W	A, A+, D, E, F, G	41.0092	92.00	110.40

Wendover - Curved Gloss White 1000mm Height

Size H x W	Watts	BTU	Element Output	Element Type	Code	£ Ex VAT	£ Inc VAT
1000 x 400mm	395	1348	150W	A, A+, D, E, F, G	41.0038	76.00	91.20
1000 x 500mm	467	1593	150W	A, A+, D, E, F, G	41.0040	83.00	99.60
1000 x 600mm	539	1839	300W	A, A+, D, E, F, G	41.0042	86.00	103.20
1000 x 750mm	643	2194	300W	A, A+, D, E, F, G	41.0093	103.00	123.60

Wendover - Curved Gloss White 1200mm Height

Size H x W	Watts	BTU	Element Output	Element Type	Code	£ Ex VAT	£ Inc VAT
1200 x 400mm	486	1658	300W	A, A+, D, E, F, G	41.0044	86.00	103.20
1200 x 500mm	575	1962	300W	A, A+, D, E, F, G	41.0046	93.00	111.60
1200 x 600mm	665	2269	300W	A, A+, D, E, F, G	41.0048	98.00	117.60
1200 x 750mm	796	2716	450W	A, A+, D, E, F, G	41.0094	123.00	147.60

Wendover - Curved Gloss White 1600mm Height

Size H x W	Watts	BTU	Element Output	Element Type	Code	£ Ex VAT	£ Inc VAT
1600 x 400mm	637	2173	300W	A, A+, D, E, F, G	41.0050	106.00	127.20
1600 x 500mm	754	2573	450W	A, A+, D, E, F, G	41.0052	118.00	141.60
1600 x 600mm	870	2968	450W	A, A+, D, E, F, G	41.0054	124.00	148.80
1600 x 750mm	1041	3552	600W	A, A+, D, E, F, G	41.0095	150.00	180.00

Wendover - Curved Gloss White 1800mm Height

Size H x W	Watts	BTU	Element Output	Element Type	Code	£ Ex VAT	£ Inc VAT
1800 x 400mm	728	2484	300W	A, A+, D, E, F, G	41.0056	119.00	142.80
1800 x 500mm	863	2945	450W	A, A+, D, E, F, G	41.0058	129.00	154.80
1800 x 600mm	998	3405	600W	A, A+, D, E, F, G	41.0060	139.00	166.80
1800 x 750mm	1193	4071	600W	A, A+, D, E, F, G	41.0096	169.00	202.80

Radiator Valves
Page 731-737



TECHNICAL INFORMATION

All measurements in Height by Width. Heat output based on $\Delta T60^{\circ}C$. Radiators that are electric only are restricted to the heat output of the elements. Element size can be increased to full capacity of rail if using element type D, E, F or G. For element types see pages 718-729. For matching valves see pages 731-737. For indirect heating systems only. Tappings are approx. 50mm less than the width of the rail and approx. 70mm off the wall. Price includes radiator and wall fixing sets, valves extra.

Warranty

5

Year

Diameter (Ø)

22

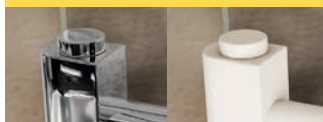
MM Bars

Heating

All Electric

Dual-Fuel

Round Vent Caps
Page 741



Robe Hooks
Page 738



Multirail Range

WENDOVER - STRAIGHT MATT ANTHRACITE



Pictured 41.0326 Matt Anthracite

A modern ladder towel rail in a stunning matt anthracite finish. This rail will add a touch of class to finish off your bathroom.

FEATURES

- 22mm diameter horizontal round tubes
- Tested to BS EN 442 standards
- 5 Year manufacturer's warranty*
- Can be single or dual fuel, or all electric
- * With conditions

Technical Tables & Drawings

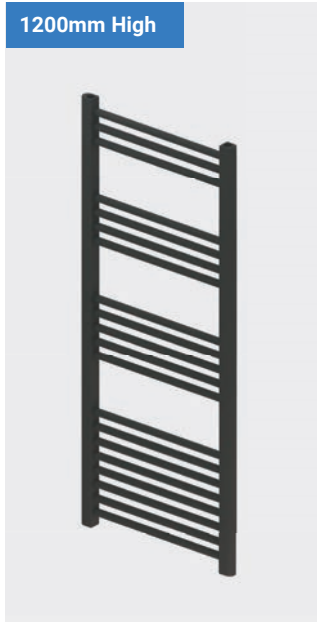
Page 744-745



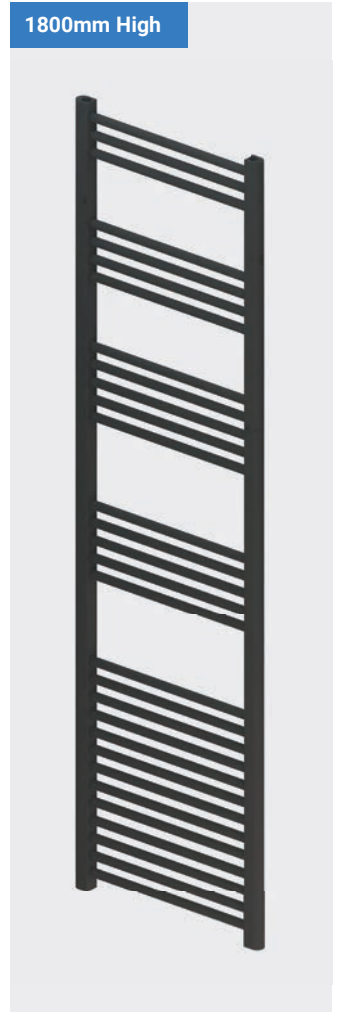
Wendoover - Straight Matt Anthracite

Size H x W	Watts	BTU	Element Output	Element Type	Code	£ Ex VAT	£ Inc VAT
600 x 400mm	241	822	150W	A, A+, D, E, F, G	41.0320	61.00	73.20
600 x 500mm	285	972	150W	A, A+, D, E, F, G	41.0321	65.00	78.00
600 x 600mm	330	1126	150W	A, A+, D, E, F, G	41.0322	69.00	82.80
1200 x 400mm	482	1645	300W	A, A+, D, E, F, G	41.0323	91.00	109.20
1200 x 500mm	571	1948	300W	A, A+, D, E, F, G	41.0324	95.00	114.00
1200 x 600mm	661	2255	300W	A, A+, D, E, F, G	41.0325	101.00	121.20
1800 x 500mm	856	2921	450W	A, A+, D, E, F, G	41.0326	132.00	158.40
1800 x 600mm	991	3381	600W	A, A+, D, E, F, G	41.0327	142.00	170.40

1200mm High



1800mm High



600mm High



TECHNICAL INFORMATION

All measurements in Height by Width. Heat output based on $\Delta T60^{\circ}C$. Radiators that are electric only are restricted to the heat output of the elements. Element size can be increased to full capacity of rail if using element type D, E, F or G. For element types see pages 718-729. For matching valves see pages 731-737. For indirect heating systems only. Tappings are approx. 50mm less than the width of the rail and approx. 70mm off the wall. Price includes radiator and wall fixing sets, valves extra.

Round Vent Caps

Page 741



Robe Hooks

Page 738



Room Divider Bracket Sets

Page 739



Multi-Rail Hangers

Page 738



Warranty
5
Year

Diameter (Ø)
22
MM Bars

Heating

All Electric

Dual-Fuel

Multirail Range

Including new colour

WENDOVER - STRAIGHT BRUSHED BRASS

Wendover - Straight Brushed Brass						New Colour	
Size H x W	Watts	BTU	Element Output	Element Type	Code	£ Ex VAT	£ Inc VAT
800 x 500mm*	309	1054	150W	A, A+, D, E, F, G	41.0361	269.00	322.80
800 x 600mm*	359	1225	150W	A, A+, D, E, F, G	41.0362	281.00	337.20
1200 x 500mm*	450	1535	150W	A, A+, D, E, F, G	41.0363	385.00	462.00
1200 x 600mm*	554	1890	300W	A, A+, D, E, F, G	41.0364	403.00	483.60
1400 x 500mm*	504	1720	150W	A, A+, D, E, F, G	41.0365	439.00	526.80
1400 x 600mm*	582	1986	300W	A, A+, D, E, F, G	41.0366	460.00	552.00
1600 x 500mm*	589	2010	300W	A, A+, D, E, F, G	41.0367	501.00	601.20
1600 x 600mm*	681	2324	300W	A, A+, D, E, F, G	41.0368	525.00	630.00
1800 x 500mm*	675	2303	300W	A, A+, D, E, F, G	41.0369	563.00	675.60
1800 x 600mm*	780	2661	450W	A, A+, D, E, F, G	41.0370	591.00	709.20

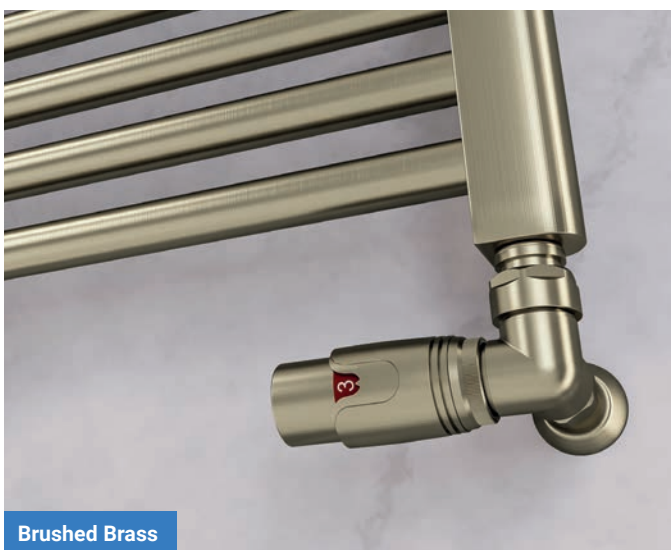
* Available February 2023.

A modern ladder towel rail in a stunning brushed brass finish. This rail will add a touch of class to finish off your bathroom.

FEATURES

- 22mm diameter horizontal round tubes
- Rear fixing wall brackets
- Tested to BS EN 442 standards
- 5 Year manufacturer's warranty*
- Can be single or dual fuel, or all electric

* With conditions



Brushed Brass

41.3037



15mm Corner TRV & Lockshield - Brushed Brass		New Colour
Code	£ Ex VAT	£ Inc VAT
41.3037	76.00	91.20



Rear fixing wall brackets

Brushed Brass colour shown in images are subject to the limitations of the printing process and may appear different.

<p>Warranty</p> <p>5</p> <p>Year</p>	<p>Diameter (Ø)</p> <p>22</p> <p>MM Bars</p>	<p>Heating</p>	<p>All Electric</p>	<p>Dual-Fuel</p>
---	---	----------------	---------------------	------------------

TECHNICAL INFORMATION

All measurements in Height by Width. Heat output based on $\Delta T60^{\circ}\text{C}$. Radiators that are electric only are restricted to the heat output of the elements. Element size can be increased to full capacity of rail if using element type D, E, F or G. For element types see pages 718-729. For matching valves see pages 731-737. For indirect heating systems only. Tappings are approx. 50mm less than the width of the rail and approx. 70mm off the wall. Price includes radiator and wall fixing sets, valves extra.

Multirail Range

BIAVA MULTIRAIL - STRAIGHT GLOSS WHITE



Pictured 41.0278 Gloss White

BIAVA MULTIRAIL - STRAIGHT CHROME



Pictured 41.0272 Chrome

Biava Multirail - Straight Gloss White

Size H x W	Watts	BTU	Element Output	Element Type	Code	£ Ex VAT	£ Inc VAT
360x400mm	145	495	100W	A, A+, D, E, F, G	41.0278	59.00	70.80
688x450mm	344	1174	150W	A, A+, D, E, F, G	41.0279	106.00	127.20
688x600mm	438	1494	150W	A, A+, D, E, F, G	41.0280	110.00	132.00
688x750mm	532	1815	300W	A, A+, D, E, F, G	41.0281	113.00	135.60
1118x450mm	546	1863	300W	A, A+, D, E, F, G	41.0282	128.00	153.60
1118x600mm	695	2371	300W	A, A+, D, E, F, G	41.0283	131.00	157.20
1118x750mm	843	2876	450W	A, A+, D, E, F, G	41.0284	142.00	170.40
1720x450mm	843	2876	450W	A, A+, D, E, F, G	41.0285	178.00	213.60
1720x600mm	1072	3658	600W	A, A+, D, E, F, G	41.0286	185.00	222.00
1720x750mm	1302	4442	750W	A, A+, D, E, F, G	41.0287	198.00	237.60

Biava Multirail - Straight Chrome

Size H x W	Watts	BTU	Element Output	Element Type	Code	£ Ex VAT	£ Inc VAT
360x400mm	113	386	N/A	N/A	41.0268	95.00	114.00
688x450mm	270	921	150W	A, A+, D, E, F, G	41.0269	197.00	236.40
688x600mm	344	1174	150W	A, A+, D, E, F, G	41.0270	220.00	264.00
688x750mm	418	1426	150W	A, A+, D, E, F, G	41.0271	245.00	294.00
1118x450mm	430	1467	150W	A, A+, D, E, F, G	41.0272	246.00	295.20
1118x600mm	546	1863	300W	A, A+, D, E, F, G	41.0273	269.00	322.80
1118x750mm	663	2262	300W	A, A+, D, E, F, G	41.0274	291.00	349.20
1720x450mm	663	2262	300W	A, A+, D, E, F, G	41.0275	341.00	409.20
1720x600mm	843	2876	450W	A, A+, D, E, F, G	41.0276	354.00	424.80
1720x750mm	1024	3494	600W	A, A+, D, E, F, G	41.0277	385.00	462.00

A high quality contemporary range available in straight and curved designs, and gloss white or chrome finishes. Available with towel hangers or robe hook accessories. This range is the ultimate in simplicity of style and practicality for your bathroom, keeping your towels warm.

FEATURES

- 22mm diameter horizontal round tubes
- Tested to BS EN 442 standards
- 5 Year manufacturer's warranty*
- Can be single or dual fuel, or all electric
- * With conditions

Technical Tables & Drawings

Page 746-747



TECHNICAL INFORMATION

All measurements in Height by Width. Heat output based on $\Delta T60^{\circ}\text{C}$. Radiators that are electric only are restricted to the heat output of the elements. Element size can be increased to full capacity of rail if using element type D, E, F or G. For element types see pages 718-729. For matching valves see pages 731-737. For indirect heating systems only. Tappings are approx. 50mm less than the width of the rail and approx. 75mm off the wall. Price includes radiator and wall fixing sets, valves extra.

Warranty

5

Year

Diameter (Ø)

22

MM Bars

Heating

All Electric

Dual-Fuel

Room Divider Bracket Sets
Page 739

Robe Hooks
Page 738

Round Vent Caps
Page 741

Multi-Rail Hangers
Page 738

Multirail Range

BIAVA MULTIRAIL - CURVED CHROME



Pictured 41.0296 Chrome

BIAVA MULTIRAIL - CURVED GLOSS WHITE



Pictured 41.0303 Gloss White

Biava Multirail - Curved Chrome

Size H x W	Watts	BTU	Element Output	Element Type	Code	£ Ex VAT	£ Inc VAT
360x400mm	114	389	N/A	N/A	41.0288	91.00	109.20
688x450mm	273	931	150W	A, A+, D, E, F, G	41.0289	218.00	261.60
688x600mm	347	1184	150W	A, A+, D, E, F, G	41.0290	244.00	292.80
688x750mm	421	1436	150W	A, A+, D, E, F, G	41.0291	269.00	322.80
1118x450mm	433	1477	150W	A, A+, D, E, F, G	41.0292	270.00	324.00
1118x600mm	549	1873	300W	A, A+, D, E, F, G	41.0293	293.00	351.60
1118x750mm	666	2272	300W	A, A+, D, E, F, G	41.0294	322.00	386.40
1720x450mm	668	2279	300W	A, A+, D, E, F, G	41.0295	384.00	460.80
1720x600mm	848	2893	450W	A, A+, D, E, F, G	41.0296	390.00	468.00
1720x750mm	1029	3511	600W	A, A+, D, E, F, G	41.0297	422.00	506.40

Biava Multirail - Curved Gloss White

Size H x W	Watts	BTU	Element Output	Element Type	Code	£ Ex VAT	£ Inc VAT
360x400mm	145	495	100W	A, A+, D, E, F, G	41.0298	60.00	72.00
688x450mm	347	1184	150W	A, A+, D, E, F, G	41.0299	121.00	145.20
688x600mm	440	1501	150W	A, A+, D, E, F, G	41.0300	124.00	148.80
688x750mm	535	1825	300W	A, A+, D, E, F, G	41.0301	125.00	150.00
1118x450mm	550	1877	300W	A, A+, D, E, F, G	41.0302	139.00	166.80
1118x600mm	699	2385	300W	A, A+, D, E, F, G	41.0303	142.00	170.40
1118x750mm	846	2887	450W	A, A+, D, E, F, G	41.0304	154.00	184.80
1720x450mm	849	2897	450W	A, A+, D, E, F, G	41.0305	198.00	237.60
1720x600mm	1078	3678	600W	A, A+, D, E, F, G	41.0306	204.00	244.80
1720x750mm	1307	4459	750W	A, A+, D, E, F, G	41.0307	219.00	262.80

A high quality contemporary range available in straight and curved designs, and gloss white or chrome finishes. Available with towel hangers or robe hook accessories. This range is the ultimate in simplicity of style and practicality for your bathroom, keeping your towels warm.

FEATURES

- 22mm diameter horizontal round tubes
- Tested to BS EN 442 standards
- 5 Year manufacturer's warranty*
- Can be single or dual fuel, or all electric
- * With conditions

Technical Tables & Drawings

Page 746-747



Round Vent Caps

Page 741



Robe Hooks

Page 738



Warranty

5

Year

Diameter (Ø)

22

MM Bars

Heating

All Electric

Dual-Fuel

TECHNICAL INFORMATION

All measurements in Height by Width. Heat output based on $\Delta T60^{\circ}C$. Radiators that are electric only are restricted to the heat output of the elements. Element size can be increased to full capacity of rail if using element type D, E, F or G. For element types see pages 718-729. For matching valves see pages 731-737. For indirect heating systems only. Tappings are approx. 50mm less than the width of the rail and approx. 75mm off the wall. Price includes radiator and wall fixing sets, valves extra.

Multirail Range

BIAVA MULTIRAIL HIDDEN VENT (HV), STRAIGHT

Including new colour

Pictured 61.0082 Chrome

Pictured 61.0088 Gloss White



PRICE
REDUCTION

Warranty
5
Year

Diameter (Ø)
22
MM Bars

Price reduction due to new automated production facility.

Heating

All Electric

Dual-Fuel

Biava Multirail HV towel rail rewrites the standards with the air vent hidden at the back of the towel rail and flush finished tops.

FEATURES

- Tested to BS EN 442 standards
- Hidden air vent at the rear
- Tappings only at the bottom
- Flush finished tops
- Can be single, dual fuel or all electric
- 5 Year Manufacturer's Warranty*
- * With conditions

Technical Tables
& Drawings
Page 746-747



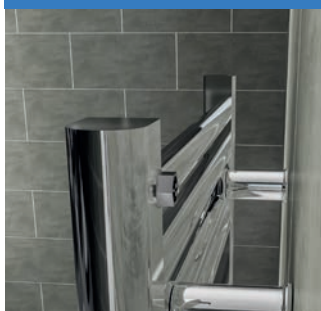
Multirail Range

Including new colour

Sleek, Minimalistic Tops



Rear Side Hidden Air Vent



Pictured 61.0079 Chrome



BIAVA MULTIRAIL HIDDEN VENT (HV), STRAIGHT

Biava Multirail Hidden Vent (HV) Straight - Chrome

Size H x W	Watts	BTU	Element Output	Element Type	Code	£ Ex VAT	£ Inc VAT
360 x 400mm	113	386	N/A	N/A	61.0074	54.00	64.80
688 x 450mm	270	921	150W	A, A+, D, E, F, G	61.0075	81.00	97.20
688 x 600mm	344	1174	150W	A, A+, D, E, F, G	61.0076	92.00	110.40
688 x 750mm	418	1426	150W	A, A+, D, E, F, G	61.0077	103.00	123.60
1118 x 450mm	430	1467	150W	A, A+, D, E, F, G	61.0078	119.00	142.80
1118 x 600mm	546	1863	300W	A, A+, D, E, F, G	61.0079	135.00	162.00
1118 x 750mm	663	2262	300W	A, A+, D, E, F, G	61.0080	147.00	176.40
1720 x 450mm	663	2262	300W	A, A+, D, E, F, G	61.0081	159.00	190.80
1720 x 600mm	843	2876	450W	A, A+, D, E, F, G	61.0082	186.00	223.20
1720 x 750mm	1024	3494	600W	A, A+, D, E, F, G	61.0083	213.00	255.60

Biava Multirail Hidden Vent (HV) Straight - Gloss White

Size H x W	Watts	BTU	Element Output	Element Type	Code	£ Ex VAT	£ Inc VAT
360 x 400mm	145	495	100W	A, A+, D, E, F, G	61.0084	46.00	55.20
688 x 450mm	344	1174	150W	A, A+, D, E, F, G	61.0085	63.00	75.60
688 x 600mm	438	1494	150W	A, A+, D, E, F, G	61.0086	69.00	82.80
688 x 750mm	532	1815	300W	A, A+, D, E, F, G	61.0087	75.00	90.00
1118 x 450mm	546	1863	300W	A, A+, D, E, F, G	61.0088	82.00	98.40
1118 x 600mm	695	2371	300W	A, A+, D, E, F, G	61.0089	92.00	110.40
1118 x 750mm	843	2876	450W	A, A+, D, E, F, G	61.0090	102.00	122.40
1720 x 450mm	843	2876	450W	A, A+, D, E, F, G	61.0091	111.00	133.20
1720 x 600mm	1072	3658	600W	A, A+, D, E, F, G	61.0092	126.00	151.20
1720 x 750mm	1302	4442	750W	A, A+, D, E, F, G	61.0093	141.00	169.20

Biava Multirail Hidden Vent (HV) Straight - Matt White

New Colour

Size H x W	Watts	BTU	Element Output	Element Type	Code	£ Ex VAT	£ Inc VAT
360 x 400mm	145	495	100W	A, A+, D, E, F, G	61.0114	46.00	55.20
688 x 450mm	344	1174	150W	A, A+, D, E, F, G	61.0115	63.00	75.60
688 x 600mm	438	1494	150W	A, A+, D, E, F, G	61.0116	69.00	82.80
688 x 750mm	532	1815	300W	A, A+, D, E, F, G	61.0117	75.00	90.00
1118 x 450mm	546	1863	300W	A, A+, D, E, F, G	61.0118	82.00	98.40
1118 x 600mm	695	2371	300W	A, A+, D, E, F, G	61.0119	92.00	110.40
1118 x 750mm	843	2876	450W	A, A+, D, E, F, G	61.0120	102.00	122.40
1720 x 450mm	843	2876	450W	A, A+, D, E, F, G	61.0121	111.00	133.20
1720 x 600mm	1072	3658	600W	A, A+, D, E, F, G	61.0122	126.00	151.20
1720 x 750mm	1302	4442	750W	A, A+, D, E, F, G	61.0123	141.00	169.20

Multi-Rail Hangers

Page 738



Towel Hangers

Page 738



Robe Hooks

Page 738



Room Divider Bracket Sets

Page 739



TECHNICAL INFORMATION

All measurements in Height by Width. Heat output based on $\Delta T_{60}^{\circ}\text{C}$. Radiators that are electric only are restricted to the heat output of the elements. Element size can be increased to full capacity of rail if using element type D, E, F or G. For element types see pages 718-729. For matching valves see pages 731-737. For indirect heating systems only. Tappings are approx. 50mm less than the width of the rail and approx. 70-85mm off the wall. Price includes radiator and wall fixing sets, valves extra.

360mm High



688mm High



1118mm High



1720mm High



Multirail Range

BIAVA MULTIRAIL HIDDEN VENT (HV), STRAIGHT

Warranty

5

Year

Diameter (Ø)

22

MM Bars

Price reduction due to new automated production facility.



PRICE REDUCTION

Heating



All Electric



Dual-Fuel



Pictured 61.0099 Matt Antracite

Biava Multirail HV towel rail rewrites the standards with the air vent hidden at the back of the towel rail and flush finished tops.

FEATURES

- Tested to BS EN 442 standards
- Hidden air vent at the rear
- Tappings only at the bottom
- Flush finished tops
- Can be single, dual fuel or all electric
- 5 Year Manufacturer's Warranty*
- * With conditions

Technical Tables & Drawings

Page 746-747



Pictured 61.0112 Matt Black

TECHNICAL INFORMATION

All measurements in Height by Width. Heat output based on $\Delta T60^{\circ}\text{C}$. Radiators that are electric only are restricted to the heat output of the elements. Element size can be increased to full capacity of rail if using element type D, E, F or G. For element types see pages 718-729. For matching valves see pages 731-737. For indirect heating systems only. Tappings are approx. 50mm less than the width of the rail and approx. 70-85mm off the wall. Price includes radiator and wall fixing sets, valves extra.

Biava Multirail Hidden Vent (HV) Straight - Matt Anthracite

Size H x W	Watts	BTU	Element Output	Element Type	Code	£ Ex VAT	£ Inc VAT
360 x 400mm	145	495	100W	A, A+, D, E, F, G	61.0094	46.00	55.20
688 x 450mm	344	1174	150W	A, A+, D, E, F, G	61.0095	63.00	75.60
688 x 600mm	438	1494	150W	A, A+, D, E, F, G	61.0096	69.00	82.80
688 x 750mm	532	1815	300W	A, A+, D, E, F, G	61.0097	75.00	90.00
1118 x 450mm	546	1863	300W	A, A+, D, E, F, G	61.0098	82.00	98.40
1118 x 600mm	695	2371	300W	A, A+, D, E, F, G	61.0099	92.00	110.40
1118 x 750mm	843	2876	450W	A, A+, D, E, F, G	61.0100	102.00	122.40
1720 x 450mm	843	2876	450W	A, A+, D, E, F, G	61.0101	111.00	133.20
1720 x 600mm	1072	3658	600W	A, A+, D, E, F, G	61.0102	126.00	151.20
1720 x 750mm	1302	4442	750W	A, A+, D, E, F, G	61.0103	141.00	169.20

Biava Multirail Hidden Vent (HV) Straight - Matt Black

Size H x W	Watts	BTU	Element Output	Element Type	Code	£ Ex VAT	£ Inc VAT
360 x 400mm	145	495	100W	A, A+, D, E, F, G	61.0104	46.00	55.20
688 x 450mm	344	1174	150W	A, A+, D, E, F, G	61.0105	63.00	75.60
688 x 600mm	438	1494	150W	A, A+, D, E, F, G	61.0106	69.00	82.80
688 x 750mm	532	1815	300W	A, A+, D, E, F, G	61.0107	75.00	90.00
1118 x 450mm	546	1863	300W	A, A+, D, E, F, G	61.0108	82.00	98.40
1118 x 600mm	695	2371	300W	A, A+, D, E, F, G	61.0109	92.00	110.40
1118 x 750mm	843	2876	450W	A, A+, D, E, F, G	61.0110	102.00	122.40
1720 x 450mm	843	2876	450W	A, A+, D, E, F, G	61.0111	111.00	133.20
1720 x 600mm	1072	3658	600W	A, A+, D, E, F, G	61.0112	126.00	151.20
1720 x 750mm	1302	4442	750W	A, A+, D, E, F, G	61.0113	141.00	169.20

Multirail Range

TUSCAN - GLOSS WHITE / CHROME



Pictured 41.0317 Gloss White



Pictured 41.0309 Chrome

- Warranty**
5
 Year
- Diameter (Ø)**
22
 MM Bars
- Heating**
- All Electric**
- Dual-Fuel**

A simple design straight ladder rail which is the ideal combination of modern style and practicality. The range includes chrome and gloss white options in a range of sizes.

FEATURES

- 22mm diameter horizontal round tubes
- Rear fixing wall brackets
- Tested to BS EN 442 standards
- 5 Year manufacturer's warranty*
- Can be single or dual fuel, or all electric
- * With conditions

Technical Tables & Drawings
Page 746-747



Round Vent Caps
Page 741



Room Divider Bracket Sets
Page 739



TECHNICAL INFORMATION

All measurements in Height by Width. Heat output based on $\Delta T60^{\circ}C$. Radiators that are electric only are restricted to the heat output of the elements. Element size can be increased to full capacity of rail if using element type D, E, F or G. For element types see pages 718-729. For matching valves see pages 731-737. For indirect heating systems only. Tappings are approx. 50mm less than the width of the rail and approx. 75mm off the wall. Price includes radiator and wall fixing sets, valves extra.

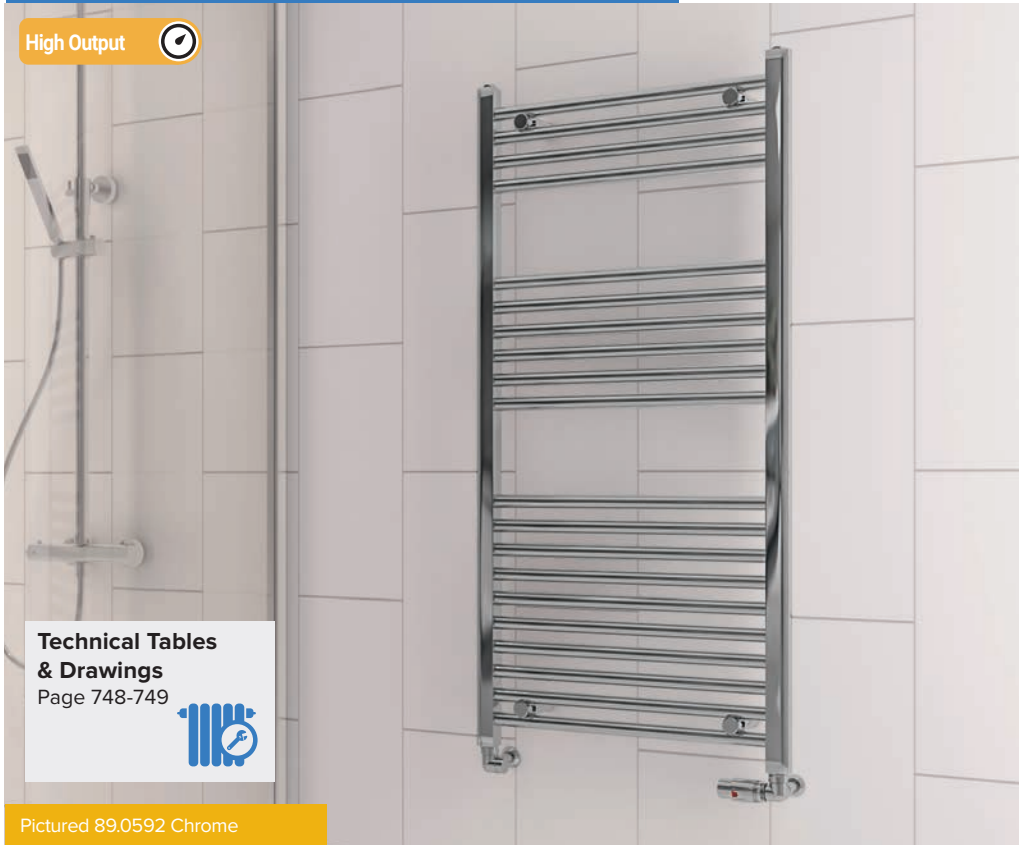
Tuscan - Gloss White							
Size H x W	Watts	BTU	Element Output	Element Type	Code	£ Ex VAT	£ Inc VAT
650 x 450mm	180	614	100W	A, A+, D, E, F, G	41.0314	60.00	72.00
650 x 600mm	212	723	100W	A, A+, D, E, F, G	41.0315	66.00	79.20
1200 x 450mm	315	1075	150W	A, A+, D, E, F, G	41.0316	80.00	96.00
1200 x 600mm	365	1245	150W	A, A+, D, E, F, G	41.0317	85.00	102.00
1750 x 450mm	464	1583	150W	A, A+, D, E, F, G	41.0318	103.00	123.60
1750 x 600mm	537	1832	300W	A, A+, D, E, F, G	41.0319	107.00	128.40

Tuscan - Chrome							
Size H x W	Watts	BTU	Element Output	Element Type	Code	£ Ex VAT	£ Inc VAT
650 x 450mm	142	485	100W	A, A+, D, E, F, G	41.0308	84.00	100.80
650 x 600mm	166	566	100W	A, A+, D, E, F, G	41.0309	92.00	110.40
1200 x 450mm	247	843	150W	A, A+, D, E, F, G	41.0310	130.00	156.00
1200 x 600mm	286	976	150W	A, A+, D, E, F, G	41.0311	141.00	169.20
1750 x 450mm	366	1249	150W	A, A+, D, E, F, G	41.0312	178.00	213.60
1750 x 600mm	423	1443	150W	A, A+, D, E, F, G	41.0313	192.00	230.40

Multirail Range

WESTWARD - STRAIGHT

High Output



Technical Tables
& Drawings
Page 748-749



Pictured 89.0592 Chrome

D Shape Vent Caps
Page 741



Towel Hangers
Page 738



Room Divider Bracket Sets
Page 739



Robe Hooks
Page 738



Multi-Rail Hangers
Page 738

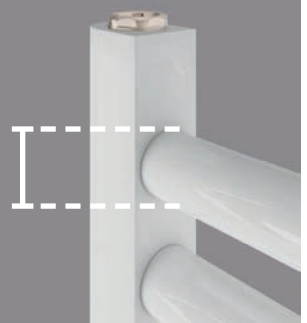


Pictured 89.0576 Gloss White

Warranty

5
Year

Tube Diameter
25mm



Diameter (Ø)

25
MM Bars

Heating



All Electric



Dual-Fuel



In addition to the Wingrave & Wendover ranges, this straight multirail boasts a higher output for the larger bathrooms. **Each horizontal tube is 25mm diameter, which produces a higher heat output in less space compared to a standard 22mm tube.**

FEATURES

- 25mm diameter horizontal round tubes
- Tested to BS EN 442 standards
- 5 Year manufacturer's warranty*
- Can be single or dual fuel, or all electric
- * With conditions

Multirail Range

WESTWARD - STRAIGHT

Gloss White

Westward - Straight Gloss White 600mm Height

Size H x W	Watts	BTU	Element Output	Element Type	Code	£ Ex VAT	£ Inc VAT
600 x 500mm	371	1266	150W	A, A+, D, E, F, G	89.0572	76.00	91.20
600 x 600mm	434	1481	150W	A, A+, D, E, F, G	89.0573	81.00	97.20
600 x 800mm	560	1911	300W	A, A+, D, E, F, G	89.0574	96.00	115.20

Westward - Straight Gloss White 800mm Height

Size H x W	Watts	BTU	Element Output	Element Type	Code	£ Ex VAT	£ Inc VAT
800 x 400mm	399	1361	150W	A, A+, D, E, F, G	89.0575	75.00	90.00
800 x 500mm	479	1634	300W	A, A+, D, E, F, G	89.0576	81.00	97.20
800 x 600mm	599	1907	300W	A, A+, D, E, F, G	89.0577	84.00	100.80

Westward - Straight Gloss White 1200mm Height

Size H x W	Watts	BTU	Element Output	Element Type	Code	£ Ex VAT	£ Inc VAT
1200 x 400mm	550	1877	300W	A, A+, D, E, F, G	89.0578	96.00	115.20
1200 x 500mm	660	2252	300W	A, A+, D, E, F, G	89.0579	103.00	123.60
1200 x 600mm	768	2621	450W	A, A+, D, E, F, G	89.0580	112.00	134.40

Westward - Straight Gloss White 1800mm Height

Size H x W	Watts	BTU	Element Output	Element Type	Code	£ Ex VAT	£ Inc VAT
1800 x 400mm	816	2784	450W	A, A+, D, E, F, G	89.0581	132.00	158.40
1800 x 500mm	978	3337	600W	A, A+, D, E, F, G	89.0582	153.00	183.60
1800 x 600mm	1140	3890	600W	A, A+, D, E, F, G	89.0583	154.00	184.80

Chrome

Westward - Straight Chrome 600mm Height

Size H x W	Watts	BTU	Element Output	Element Type	Code	£ Ex VAT	£ Inc VAT
600 x 500mm	245	836	150W	A, A+, D, E, F, G	89.0584	119.00	142.80
600 x 600mm	287	979	150W	A, A+, D, E, F, G	89.0585	130.00	156.00
600 x 800mm	371	1266	150W	A, A+, D, E, F, G	89.0586	154.00	184.80

Westward - Straight Chrome 800mm Height

Size H x W	Watts	BTU	Element Output	Element Type	Code	£ Ex VAT	£ Inc VAT
800 x 400mm	263	897	150W	A, A+, D, E, F, G	89.0587	112.00	134.40
800 x 500mm	316	1078	150W	A, A+, D, E, F, G	89.0588	124.00	148.80
800 x 600mm	370	1262	150W	A, A+, D, E, F, G	89.0589	136.00	163.20

Westward - Straight Chrome 1200mm Height

Size H x W	Watts	BTU	Element Output	Element Type	Code	£ Ex VAT	£ Inc VAT
1200 x 400mm	375	1280	150W	A, A+, D, E, F, G	89.0590	150.00	180.00
1200 x 500mm	450	1535	150W	A, A+, D, E, F, G	89.0591	171.00	205.20
1200 x 600mm	524	1788	300W	A, A+, D, E, F, G	89.0592	185.00	222.00

Westward - Straight Chrome 1800mm Height

Size H x W	Watts	BTU	Element Output	Element Type	Code	£ Ex VAT	£ Inc VAT
1800 x 400mm	564	1924	300W	A, A+, D, E, F, G	89.0593	225.00	270.00
1800 x 500mm	677	2310	300W	A, A+, D, E, F, G	89.0594	246.00	295.20
1800 x 600mm	788	2689	450W	A, A+, D, E, F, G	89.0595	266.00	319.20

Radiator Valves

Page 731-737



TECHNICAL INFORMATION

All measurements in Height by Width. Heat output based on $\Delta T60^{\circ}\text{C}$. Radiators that are electric only are restricted to the heat output of the elements. Element size can be increased to full capacity of rail if using element type D, E, F or G. For element types see pages 718-729. For matching valves see pages 731-737. For indirect heating systems only. Tappings are approx. 44mm less than the width of the rail and approx. 65mm off the wall. Price includes radiator and wall fixing sets, valves extra.

600mm High



800mm High



1200mm High



1800mm High



Multirail Range

RION MULTIRAIL

New Product

NEW

Bar Dimensions (mm)
 Horizontal Bars 20 x 20mm
 Vertical Bars D Shape 40 x 30mm

Technical Tables & Drawings
 Page 748-749




Pictured 89.1691 Chrome

Rear fixing metal wall brackets



Pictured 89.1677 Matt Anthracite

D Shaped vertical bars meet square 20x20mm horizontal bars in this modern and elegant designed towel rail. Available in 3 heights and 2 widths with 4 colour options.

FEATURES

- 40x30mm D shape vertical bars with 20x20mm square horizontal bars
 - Rear fixing metal wall brackets
 - Tested to BS EN 442 standards
 - 4 colours available from stock
 - 5 Year Manufacturer's Warranty*
- *With conditions



SWATCHES AVAILABLE

Round Vent Caps

Page 741



Multirail Range

New Product **RION MULTIRAIL**

Rion Multirail - Gloss White							
Size H x W	Watts	BTU	Element Output	Element Type	Code	£ Ex VAT	£ Inc VAT
800 x 500mm	419	1430	150W	A, A+, D, E, F, G	89.1671	128.00	153.60
800 x 600mm	478	1631	150W	A, A+, D, E, F, G	89.1672	145.00	174.00
1200 x 500mm	649	2215	150W	A, A+, D, E, F, G	89.1673	213.00	255.60
1200 x 600mm	740	2525	300W	A, A+, D, E, F, G	89.1674	233.00	279.60
1800 x 500mm	985	3361	300W	A, A+, D, E, F, G	89.1675	300.00	360.00
1800 x 600mm	1122	3829	300W	A, A+, D, E, F, G	89.1676	330.00	396.00

Rion Multirail - Matt Black							
Size H x W	Watts	BTU	Element Output	Element Type	Code	£ Ex VAT	£ Inc VAT
800 x 500mm	419	1430	150W	A, A+, D, E, F, G	89.1683	128.00	153.60
800 x 600mm	478	1631	150W	A, A+, D, E, F, G	89.1684	145.00	174.00
1200 x 500mm	649	2215	150W	A, A+, D, E, F, G	89.1685	213.00	255.60
1200 x 600mm	740	2525	300W	A, A+, D, E, F, G	89.1686	233.00	279.60
1800 x 500mm	985	3361	300W	A, A+, D, E, F, G	89.1687	300.00	360.00
1800 x 600mm	1122	3829	300W	A, A+, D, E, F, G	89.1688	330.00	396.00

Rion Multirail - Matt Anthracite							
Size H x W	Watts	BTU	Element Output	Element Type	Code	£ Ex VAT	£ Inc VAT
800 x 500mm	419	1430	150W	A, A+, D, E, F, G	89.1677	128.00	153.60
800 x 600mm	478	1631	150W	A, A+, D, E, F, G	89.1678	145.00	174.00
1200 x 500mm	649	2215	150W	A, A+, D, E, F, G	89.1679	213.00	255.60
1200 x 600mm	740	2525	300W	A, A+, D, E, F, G	89.1680	233.00	279.60
1800 x 500mm	985	3361	300W	A, A+, D, E, F, G	89.1681	300.00	360.00
1800 x 600mm	1122	3829	300W	A, A+, D, E, F, G	89.1682	330.00	396.00

Rion Multirail - Chrome							
Size H x W	Watts	BTU	Element Output	Element Type	Code	£ Ex VAT	£ Inc VAT
800 x 500mm	269	918	100W	A, A+, D, E, F, G	89.1689	187.00	224.40
800 x 600mm	304	1038	100W	A, A+, D, E, F, G	89.1690	212.00	254.40
1200 x 500mm	420	1434	150W	A, A+, D, E, F, G	89.1691	313.00	375.60
1200 x 600mm	475	1621	150W	A, A+, D, E, F, G	89.1692	341.00	409.20
1800 x 500mm	653	2229	150W	A, A+, D, E, F, G	89.1693	440.00	528.00
1800 x 600mm	738	2519	300W	A, A+, D, E, F, G	89.1694	484.00	580.80

TECHNICAL INFORMATION

All measurements in Height by Width. Heat output based on $\Delta T60^{\circ}C$. Radiators that are electric only are restricted to the heat output of the elements. Element size can be increased to full capacity of rail if using element type D, E, F or G. For element types see pages 718-729. For matching valves see pages 731-737. For indirect heating systems only. Tappings are approx. 45mm less than the width of the rail and approx. 80mm off the wall. Price includes radiator and wall fixing sets, valves extra.



Warranty

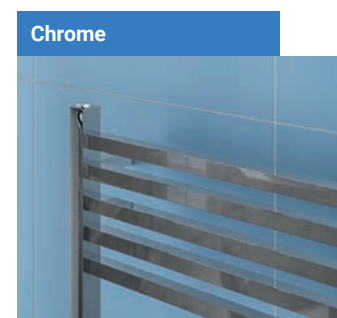
5

Year

Heating

All Electric

Dual-Fuel



Multirail Range

CORINIUM ROUND

Warranty

5

Year

Diameter (∅)

22

MM Bars

Heating



All Electric



Dual-Fuel



Technical Tables
& Drawings
Page 748-749



Pictured 89.1571 Chrome

Rear fixing metal wall brackets



Pictured 89.1556 Matt Anthracite

A brand new edition to the Eastbrook Multirail Range. Available in a variety of colours to suit any bathroom. The generous spacing between the horizontal tubes allows for maximum towel drying.

FEATURES

- 22mm diameter horizontal round tubes
 - 42mm diameter vertical profiles
 - Rear fixing metal wall brackets
 - Tested to BS EN 442 standards
 - 5 colours available from stock
 - State-of-the-Art welding technology
 - 5 Year Manufacturer's Warranty*
- * With conditions



SWATCHES
AVAILABLE

Round Vent Caps

Page 741



Multirail Range

CORINIUM ROUND

Corinium Round - Gloss White							
Size H x W	Watts	BTU	Element Output	Element Type	Code	£ Ex VAT	£ Inc VAT
800 x 500mm	392	1338	150W	A, A+, D, E, F, G	89.1542	113.00	135.60
800 x 600mm	458	1563	150W	A, A+, D, E, F, G	89.1543	130.00	156.00
1200 x 500mm	596	2034	150W	A, A+, D, E, F, G	89.1544	146.00	175.20
1200 x 600mm	696	2375	150W	A, A+, D, E, F, G	89.1545	169.00	202.80
1800 x 500mm	906	3092	300W	A, A+, D, E, F, G	89.1546	201.00	241.20
1800 x 600mm	1058	3610	300W	A, A+, D, E, F, G	89.1547	234.00	280.80

Corinium Round - Matt Grey							
Size H x W	Watts	BTU	Element Output	Element Type	Code	£ Ex VAT	£ Inc VAT
800 x 500mm	392	1338	150W	A, A+, D, E, F, G	89.1548	113.00	135.60
800 x 600mm	458	1563	150W	A, A+, D, E, F, G	89.1549	130.00	156.00
1200 x 500mm	596	2034	150W	A, A+, D, E, F, G	89.1550	146.00	175.20
1200 x 600mm	696	2375	150W	A, A+, D, E, F, G	89.1551	169.00	202.80
1800 x 500mm	906	3092	300W	A, A+, D, E, F, G	89.1552	201.00	241.20
1800 x 600mm	1058	3610	300W	A, A+, D, E, F, G	89.1553	234.00	280.80

Corinium Round - Chrome							
Size H x W	Watts	BTU	Element Output	Element Type	Code	£ Ex VAT	£ Inc VAT
800 x 500mm	261	891	100W	A, A+, D, E, F, G	89.1566	171.00	205.20
800 x 600mm	305	1041	100W	A, A+, D, E, F, G	89.1567	197.00	236.40
1200 x 500mm	396	1352	150W	A, A+, D, E, F, G	89.1568	242.00	290.40
1200 x 600mm	462	1577	150W	A, A+, D, E, F, G	89.1569	281.00	337.20
1800 x 500mm	606	2068	150W	A, A+, D, E, F, G	89.1570	323.00	387.60
1800 x 600mm	707	2413	150W	A, A+, D, E, F, G	89.1571	376.00	451.20

Corinium Round - Matt Anthracite							
Size H x W	Watts	BTU	Element Output	Element Type	Code	£ Ex VAT	£ Inc VAT
800 x 500mm	392	1338	150W	A, A+, D, E, F, G	89.1554	113.00	135.60
800 x 600mm	458	1563	150W	A, A+, D, E, F, G	89.1555	130.00	156.00
1200 x 500mm	596	2034	150W	A, A+, D, E, F, G	89.1556	146.00	175.20
1200 x 600mm	696	2375	150W	A, A+, D, E, F, G	89.1557	169.00	202.80
1800 x 500mm	906	3092	300W	A, A+, D, E, F, G	89.1558	201.00	241.20
1800 x 600mm	1058	3610	300W	A, A+, D, E, F, G	89.1559	234.00	280.80

Corinium Round - Matt Black							
Size H x W	Watts	BTU	Element Output	Element Type	Code	£ Ex VAT	£ Inc VAT
800 x 500mm	392	1338	150W	A, A+, D, E, F, G	89.1560	113.00	135.60
800 x 600mm	458	1563	150W	A, A+, D, E, F, G	89.1561	130.00	156.00
1200 x 500mm	596	2034	150W	A, A+, D, E, F, G	89.1562	146.00	175.20
1200 x 600mm	696	2375	150W	A, A+, D, E, F, G	89.1563	169.00	202.80
1800 x 500mm	906	3092	300W	A, A+, D, E, F, G	89.1564	201.00	241.20
1800 x 600mm	1058	3610	300W	A, A+, D, E, F, G	89.1565	234.00	280.80

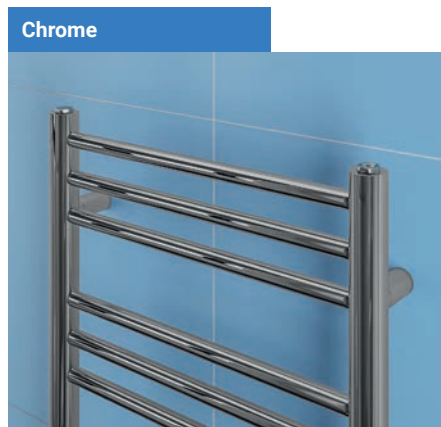
Radiator Valves

Page 731-737



TECHNICAL INFORMATION

All measurements in Height by Width. Heat output based on $\Delta T60^{\circ}C$. Radiators that are electric only are restricted to the heat output of the elements. Element size can be increased to full capacity of rail if using element type D, E, F or G. For element types see pages 718-729. For matching valves see pages 731-737. For indirect heating systems only. Tappings are approx. 42mm less than the width of the rail and approx. 85mm off the wall. Price includes radiator and wall fixing sets, valves extra.



Multirail Range

TUSCAN ROUND

Warranty

5

Year

Diameter (∅)

22

MM Bars

Heating



All Electric



Dual-Fuel



Technical Tables
& Drawings

Page 748-749



Pictured 89.1601 Chrome

Rear fixing metal wall brackets



Pictured 89.1574 Gloss White

A popular addition to the Multirail Range. Available in a variety of colours to suit any bathroom. The generous spacing between the horizontal tubes allows for maximum towel drying.

FEATURES

- 22mm diameter horizontal round tubes
- 42mm diameter vertical profiles
- Rear fixing metal wall brackets
- Tested to BS EN 442 standards
- 5 colours available from stock
- State-of-the-Art welding technology
- 5 Year Manufacturer's Warranty*
- * With conditions



SWATCHES AVAILABLE

Round Vent Caps

Page 741



Multirail Range

TUSCAN ROUND

Tuscan Round - Gloss White

Size H x W	Watts	BTU	Element Output	Element Type	Code	£ Ex VAT	£ Inc VAT
800 x 500mm	306	1045	100W	A, A+, D, E, F, G	89.1572	106.00	127.20
800 x 600mm	352	1202	100W	A, A+, D, E, F, G	89.1573	124.00	148.80
1200 x 500mm	459	1567	150W	A, A+, D, E, F, G	89.1574	137.00	164.40
1200 x 600mm	529	1805	150W	A, A+, D, E, F, G	89.1575	159.00	190.80
1800 x 500mm	688	2348	150W	A, A+, D, E, F, G	89.1576	190.00	228.00
1800 x 600mm	794	2710	300W	A, A+, D, E, F, G	89.1577	219.00	262.80

Tuscan Round - Matt Grey

Size H x W	Watts	BTU	Element Output	Element Type	Code	£ Ex VAT	£ Inc VAT
800 x 500mm	306	1045	100W	A, A+, D, E, F, G	89.1578	106.00	127.20
800 x 600mm	352	1202	100W	A, A+, D, E, F, G	89.1579	124.00	148.80
1200 x 500mm	459	1567	150W	A, A+, D, E, F, G	89.1580	137.00	164.40
1200 x 600mm	529	1805	150W	A, A+, D, E, F, G	89.1581	159.00	190.80
1800 x 500mm	688	2348	150W	A, A+, D, E, F, G	89.1582	190.00	228.00
1800 x 600mm	794	2710	300W	A, A+, D, E, F, G	89.1583	219.00	262.80

Tuscan Round - Chrome

Size H x W	Watts	BTU	Element Output	Element Type	Code	£ Ex VAT	£ Inc VAT
800 x 500mm	201	686	100W	A, A+, D, E, F, G	89.1596	157.00	188.40
800 x 600mm	232	792	100W	A, A+, D, E, F, G	89.1597	181.00	217.20
1200 x 500mm	303	1034	100W	A, A+, D, E, F, G	89.1598	227.00	272.40
1200 x 600mm	350	1195	100W	A, A+, D, E, F, G	89.1599	264.00	316.80
1800 x 500mm	454	1550	150W	A, A+, D, E, F, G	89.1600	304.00	364.80
1800 x 600mm	525	1792	150W	A, A+, D, E, F, G	89.1601	352.00	422.40

Tuscan Round - Matt Anthracite

Size H x W	Watts	BTU	Element Output	Element Type	Code	£ Ex VAT	£ Inc VAT
800 x 500mm	306	1045	100W	A, A+, D, E, F, G	89.1584	106.00	127.20
800 x 600mm	352	1202	100W	A, A+, D, E, F, G	89.1585	124.00	148.80
1200 x 500mm	459	1567	150W	A, A+, D, E, F, G	89.1586	137.00	164.40
1200 x 600mm	529	1805	150W	A, A+, D, E, F, G	89.1587	159.00	190.80
1800 x 500mm	688	2348	150W	A, A+, D, E, F, G	89.1588	190.00	228.00
1800 x 600mm	794	2710	300W	A, A+, D, E, F, G	89.1589	219.00	262.80

Tuscan Round - Matt Black

Size H x W	Watts	BTU	Element Output	Element Type	Code	£ Ex VAT	£ Inc VAT
800 x 500mm	306	1045	100W	A, A+, D, E, F, G	89.1590	106.00	127.20
800 x 600mm	352	1202	100W	A, A+, D, E, F, G	89.1591	124.00	148.80
1200 x 500mm	459	1567	150W	A, A+, D, E, F, G	89.1592	137.00	164.40
1200 x 600mm	529	1805	150W	A, A+, D, E, F, G	89.1593	159.00	190.80
1800 x 500mm	688	2348	150W	A, A+, D, E, F, G	89.1594	190.00	228.00
1800 x 600mm	794	2710	300W	A, A+, D, E, F, G	89.1595	219.00	262.80

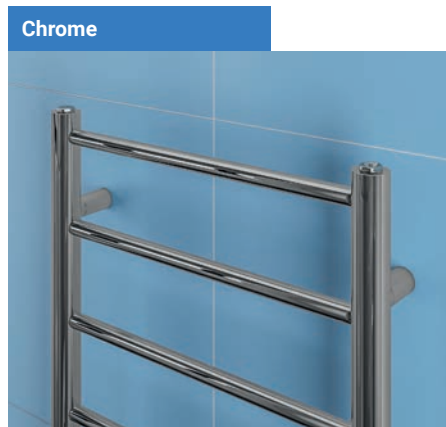
Radiator Valves

Page 731-737



TECHNICAL INFORMATION

All measurements in Height by Width. Heat output based on $\Delta T60^{\circ}C$. Radiators that are electric only are restricted to the heat output of the elements. Element size can be increased to full capacity of rail if using element type D, E, F or G. For element types see pages 718-729. For matching valves see pages 731-737. For indirect heating systems only. Tappings are approx. 42mm less than the width of the rail and approx. 85mm off the wall. Price includes radiator and wall fixing sets, valves extra.



Multirail Range

BIAVA ROUND



Pictured 41.0159 Gloss White



Pictured 41.0152 Chrome

Rear fixing wall brackets

A high quality modern, straight towel rail with a durable shiny chrome finish and round rails. A functional radiator with spacing to allow the warming of many towels yet with style that is aesthetically pleasing and will fit into any bathroom.

Biava Round - Gloss White							
Size H x W	Watts	BTU	Element Output	Element Type	Code	£ Ex VAT	£ Inc VAT
600 x 400mm	218	744	100W	A, A+, D, E, F, G	41.0154	86.00	103.20
600 x 500mm	257	877	150W	A, A+, D, E, F, G	41.0157	91.00	109.20
600 x 600mm	296	1010	150W	A, A+, D, E, F, G	41.0160	95.00	114.00
1200 x 400mm	412	1406	150W	A, A+, D, E, F, G	41.0155	130.00	156.00
1200 x 500mm	482	1645	300W	A, A+, D, E, F, G	41.0158	141.00	169.20
1200 x 600mm	552	1883	300W	A, A+, D, E, F, G	41.0161	148.00	177.60
1800 x 400mm	618	2109	300W	A, A+, D, E, F, G	41.0156	178.00	213.60
1800 x 500mm	723	2467	450W	A, A+, D, E, F, G	41.0159	192.00	230.40
1800 x 600mm	827	2822	450W	A, A+, D, E, F, G	41.0162	204.00	244.80

Biava Round - Chrome							
Size H x W	Watts	BTU	Element Output	Element Type	Code	£ Ex VAT	£ Inc VAT
600 x 400mm	172	587	100W	A, A+, D, E, F, G	41.0145	147.00	176.40
600 x 500mm	202	689	100W	A, A+, D, E, F, G	41.0148	153.00	183.60
600 x 600mm	234	798	150W	A, A+, D, E, F, G	41.0151	165.00	198.00
1200 x 400mm	324	1105	150W	A, A+, D, E, F, G	41.0146	235.00	282.00
1200 x 500mm	379	1293	150W	A, A+, D, E, F, G	41.0149	251.00	301.20
1200 x 600mm	435	1484	150W	A, A+, D, E, F, G	41.0152	270.00	324.00
1800 x 400mm	486	1658	300W	A, A+, D, E, F, G	41.0147	328.00	393.60
1800 x 500mm	569	1941	300W	A, A+, D, E, F, G	41.0150	354.00	424.80
1800 x 600mm	651	2221	300W	A, A+, D, E, F, G	41.0153	396.00	475.20

FEATURES

- 19mm diameter horizontal round tubes
 - 38mm diameter vertical profiles
 - Rear fixing wall brackets
 - Tested to BS EN 442 standards
 - 5 Year Manufacturer's Warranty*
- * With conditions

Technical Tables & Drawings
Page 750-751



TECHNICAL INFORMATION

All measurements in Height by Width. Heat output based on $\Delta T60^{\circ}\text{C}$. Radiators that are electric only are restricted to the heat output of the elements. Element size can be increased to full capacity of rail if using element type D, E, F or G. For element types see pages 718-729. For matching valves see pages 731-737. For indirect heating systems only. Tappings are approx. 40mm less than the width of the rail and approx. 63mm off the wall. Price includes radiator and wall fixing sets, valves extra.

Warranty

5

Year

Diameter (Ø)

19

MM Bars

Heating

All Electric

Dual-Fuel

Radiator Valves
Page 731-737



Multirail Range

BIAVA - TUBE ON TUBE, CHROME



Round Vent Caps
Page 741

Multi-Rail Hangers
Page 738

Pictured 41.0171 Chrome

A contemporary tubular design towel rail in a range of sizes and both chrome and white finishes. The tube on tube features produces a higher heat output.

FEATURES

- 19mm diameter horizontal round tubes
 - 32mm diameter vertical profiles
 - Tested to BS EN 442 standards
 - 5 Year Manufacturer's Warranty*
- * With conditions

Technical Tables & Drawings
Page 750-751



Biava - Tube on Tube - Chrome								
Size H x W	Watts	BTU	Element Output	Element Type	Code	£ Ex VAT	£ Inc VAT	
600 x 400mm	183	624	100W	A, A+, D, E, F, G	41.0163	165.00	198.00	
600 x 500mm	214	730	100W	A, A+, D, E, F, G	41.0166	173.00	207.60	
600 x 600mm	245	836	150W	A, A+, D, E, F, G	41.0169	182.00	218.40	
1200 x 400mm	428	1460	150W	A, A+, D, E, F, G	41.0164	299.00	358.80	
1200 x 500mm	505	1723	300W	A, A+, D, E, F, G	41.0167	328.00	393.60	
1200 x 600mm	580	1979	300W	A, A+, D, E, F, G	41.0170	351.00	421.20	
1800 x 400mm	661	2255	300W	A, A+, D, E, F, G	41.0165	438.00	525.60	
1800 x 500mm	780	2661	450W	A, A+, D, E, F, G	41.0168	476.00	571.20	
1800 x 600mm	898	3064	450W	A, A+, D, E, F, G	41.0171	516.00	619.20	

Warranty

5

Year

Diameter (Ø)

19

MM Bars

Heating

All Electric

Dual-Fuel

TECHNICAL INFORMATION

All measurements in Height by Width. Heat output based on $\Delta T60^{\circ}C$. Radiators that are electric only are restricted to the heat output of the elements. Element size can be increased to full capacity of rail if using element type D, E, F or G. For element types see pages 718-729. For matching valves see pages 731-737. For indirect heating systems only. Tappings are approx. 50mm less than the width of the rail and approx. 55mm off the wall. Price includes radiator and wall fixing sets, valves extra.

Radiator Valves
Page 731-737

Robe Hooks
Page 738

Towel Hangers
Page 738

Multirail Range

LAUNTON

Pictured 61.0067 Chrome

Heated Shelves

Square Profiles



Warranty

5

Year

Heating



All Electric



Dual-Fuel



Bar Dimensions (mm)

Horizontal Bars 20 x 20mm
Vertical Bars 30 x 30mm

Multirail Range

LAUNTON

Launton towel radiator has built-in shelves that are also heated. This model will be the solution to dry all the towels of a big family.

FEATURES

- Tested to BS EN 442 standards
- Built-in heated shelves
- Can be single, dual fuel or all electric
- 5 Year Manufacturer's Warranty*
- * With conditions

Launton - Matt White

Size H x W	Watts	BTU	Element Output	Element Type	Code	£ Ex VAT	£ Inc VAT
1200 x 500mm	439	1496	150W	A, A+, D, E, F, G	61.0062	341.00	409.20
1200 x 600mm	489	1670	300W	A, A+, D, E, F, G	61.0063	352.00	422.40

Launton - Matt Anthracite

Size H x W	Watts	BTU	Element Output	Element Type	Code	£ Ex VAT	£ Inc VAT
1200 x 500mm	439	1496	150W	A, A+, D, E, F, G	61.0064	341.00	409.20
1200 x 600mm	489	1670	300W	A, A+, D, E, F, G	61.0065	352.00	422.40

Launton - Chrome

Size H x W	Watts	BTU	Element Output	Element Type	Code	£ Ex VAT	£ Inc VAT
1200 x 500mm	290	991	150W	A, A+, D, E, F, G	61.0066	413.00	495.60
1200 x 600mm	324	1106	150W	A, A+, D, E, F, G	61.0067	428.00	513.60

TECHNICAL INFORMATION

All measurements in Height by Width. Heat output based on $\Delta T60^{\circ}C$. Radiators that are electric only are restricted to the heat output of the elements. Element size can be increased to full capacity of rail if using element type D, E, F or G. For element types see pages 718-729. For matching valves see pages 731-737. For indirect heating systems only. Tappings are approx. 30mm less than the width of the rail and approx. 70-85mm off the wall. Projection from the wall is 255-270mm. Price includes radiator and wall fixing sets, valves extra.

Radiator Valves

Page 731-737



Pictured 61.0065 Matt Anthracite

Matt White



Pictured 61.0063

Matt Anthracite



Pictured 61.0065

Matt Chrome



Pictured 61.0067

Round Vent Caps

Page 741



Technical Tables & Drawings

Page 750-751



Multirail Range

HADDENHAM

Pictured 61.0073 Chrome

Heated Shelves 

D Shape Profiles 




Warranty
5
Year

Diameter (Ø)
22
MM Bars

Heating


All Electric


Dual-Fuel


Multirail Range

HADDENHAM

Haddenham towel radiator is a perfect alternative for standard towel radiators thanks to its heated shelves and big capacity of drying many towels at once.

FEATURES

- 22mm diameter horizontal round tubes
- Tested to BS EN 442 standardss
- Built-in heated shelves
- Can be single, dual fuel or all electric
- 5 Year Manufacturer's Warranty*
- * With conditions



Pictured 61.0069 Matt White

Haddenham - Matt White

Size H x W	Watts	BTU	Element Output	Element Type	Code	£ Ex VAT	£ Inc VAT
1200 x 500mm	645	2200	300W	A, A+, D, E, F, G	61.0068	244.00	292.80
1200 x 600mm	732	2499	450W	A, A+, D, E, F, G	61.0069	253.00	303.60

Haddenham - Matt Anthracite

Size H x W	Watts	BTU	Element Output	Element Type	Code	£ Ex VAT	£ Inc VAT
1200 x 500mm	645	2200	300W	A, A+, D, E, F, G	61.0070	244.00	292.80
1200 x 600mm	732	2499	450W	A, A+, D, E, F, G	61.0071	253.00	303.60

Haddenham - Chrome

Size H x W	Watts	BTU	Element Output	Element Type	Code	£ Ex VAT	£ Inc VAT
1200 x 500mm	427	1457	150W	A, A+, D, E, F, G	61.0072	297.00	356.40
1200 x 600mm	485	1655	300W	A, A+, D, E, F, G	61.0073	318.00	381.60

TECHNICAL INFORMATION

All measurements in Height by Width. Heat output based on $\Delta T60^{\circ}C$. Radiators that are electric only are restricted to the heat output of the elements. Element size can be increased to full capacity of rail if using element type D, E, F or G. For element types see pages 718-729. For matching valves see pages 731-737. For indirect heating systems only. Tappings are approx. 45mm less than the width of the rail and approx. 70-85mm off the wall. Projection from the wall is approx. 255-270mm. Price includes radiator and wall fixing sets, valves extra.

Robe Hooks

Page 738



Round Vent Caps

Page 741



Matt White



Pictured 61.0069

Matt Anthracite



Pictured 61.0071

Chrome



Pictured 61.0073

Towel Hangers

Page 738



Multi-Rail Hangers

Page 738



Technical Tables & Drawings

Page 750-751



Multirail Range

BIAVA SQUARE - CHROME



Pictured 41.0116 Chrome



**Technical Tables
& Drawings**
Page 752-753



Bar Dimensions (mm)

Horizontal Bars 22 x 22mm
Vertical Bars 40 x 40mm

Round Vent Caps
Page 741



A modern style square rail that still allows maximum space for keeping your towels warm.

Biava Square - Chrome							
Size H x W	Watts	BTU	Element Output	Element Type	Code	£ Ex VAT	£ Inc VAT
600 x 400mm	221	754	100W	A, A+, D, E, F, G	41.0109	227.00	272.40
600 x 500mm	260	887	150W	A, A+, D, E, F, G	41.0112	246.00	295.20
600 x 600mm	299	1020	150W	A, A+, D, E, F, G	41.0115	266.00	319.20
1200 x 400mm	511	1744	300W	A, A+, D, E, F, G	41.0110	433.00	519.60
1200 x 500mm	612	2088	300W	A, A+, D, E, F, G	41.0113	491.00	589.20
1200 x 600mm	712	2429	300W	A, A+, D, E, F, G	41.0116	528.00	633.60
1800 x 400mm	746	2545	450W	A, A+, D, E, F, G	41.0111	605.00	726.00
1800 x 500mm	889	3033	450W	A, A+, D, E, F, G	41.0114	677.00	812.40
1800 x 600mm	1034	3528	600W	A, A+, D, E, F, G	41.0117	745.00	894.00

FEATURES

- Tested to BS EN 442 standards
- 5 Year manufacturer's warranty*
- Can be single or dual fuel, or all electric
- * With conditions

Warranty

5

Year

Heating

All Electric

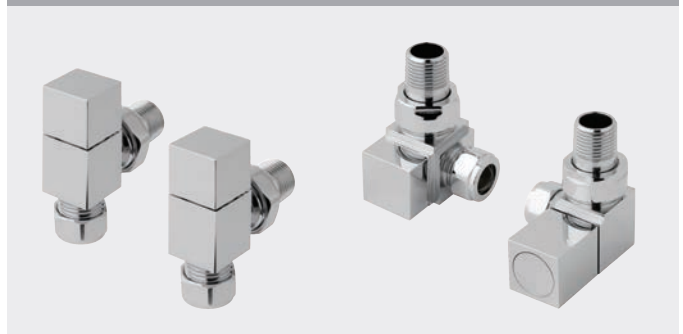
Dual-Fuel

TECHNICAL INFORMATION

All measurements in Height by Width. Heat output based on $\Delta T60^{\circ}\text{C}$. Radiators that are electric only are restricted to the heat output of the elements. Element size can be increased to full capacity of rail if using element type D, E, F or G. For element types see pages 718-729. For matching valves see pages 731-737. For indirect heating systems only. Tappings are approx. 40mm less than the width of the rail and approx. 70mm off the wall. Price includes radiator and wall fixing sets, valves extra.

COMPLETE THE LOOK

Radiator Valves
Page: 731-737



Multirail Range



Bar Dimensions (mm)

Horizontal Bars 20 x 20mm
Vertical Bars 30 x 30mm

Pictured 89.1270 Chrome

Evenly placed square bars of Tuscan Square is the new definition of minimalism.

Tuscan Square - Chrome							
Size H x W	Watts	BTU	Element Output	Element Type	Code	£ Ex VAT	£ Inc VAT
800 x 500mm	201	686	100W	A, A+, D, E, F, G	89.1268	151.00	181.20
800 x 600mm	231	789	100W	A, A+, D, E, F, G	89.1269	164.00	196.80
1200 x 500mm	302	1031	100W	A, A+, D, E, F, G	89.1270	198.00	237.60
1200 x 600mm	347	1184	150W	A, A+, D, E, F, G	89.1271	216.00	259.20
1800 x 500mm	458	1563	150W	A, A+, D, E, F, G	89.1272	282.00	338.40
1800 x 600mm	526	1795	150W	A, A+, D, E, F, G	89.1273	304.00	364.80

FEATURES

- Tested to BS EN 442 standards
- Rear fixing metal wall brackets
- 5 Year manufacturer's warranty*
- Can be single or dual fuel, or all electric
- * With conditions

Technical Tables & Drawings

Page 752-753



TUSCAN SQUARE - CHROME

Pictured 89.1273 Chrome

Rear fixing metal wall brackets

TECHNICAL INFORMATION

All measurements in Height by Width. Heat output based on $\Delta T60^{\circ}C$. Radiators that are electric only are restricted to the heat output of the elements. Element size can be increased to full capacity of rail if using element type D, E, F or G. For element types see pages 718-729. For matching valves see pages 731-737. For indirect heating systems only. Tappings are approx. 30mm less than the width of the rail and approx. 80mm off the wall. Projection from wall is approx. 95mm. Price includes radiator and wall fixing sets, valves extra.

Round Vent Caps

Page 741



Warranty

5

Year

Heating

All Electric

Dual-Fuel

Multirail Range

TUSCAN SQUARE

Gloss White



Pictured 89.1244 Gloss White

Bar Dimensions (mm)

Horizontal Bars 20 x 20mm
Vertical Bars 30 x 30mm

FEATURES

- Tested to BS EN 442 standards
- Rear fixing metal wall brackets
- 5 Year manufacturer's warranty*
- Can be single or dual fuel, or all electric
- * With conditions

Technical Tables & Drawings

Page 753-753



Matt Grey



Pictured 89.1253 Matt Grey

Rear fixing metal wall brackets

Tuscan Square - Gloss White

Size H x W	Watts	BTU	Element Output	Element Type	Code	£ Ex VAT	£ Inc VAT
800 x 500mm	305	1041	100W	A, A+, D, E, F, G	89.1244	115.00	138.00
800 x 600mm	349	1191	150W	A, A+, D, E, F, G	89.1245	126.00	151.20
1200 x 500mm	460	1570	150W	A, A+, D, E, F, G	89.1246	147.00	176.40
1200 x 600mm	527	1799	150W	A, A+, D, E, F, G	89.1247	159.00	190.80
1800 x 500mm	688	2348	300W	A, A+, D, E, F, G	89.1248	198.00	237.60
1800 x 600mm	789	2693	300W	A, A+, D, E, F, G	89.1249	216.00	259.20

Tuscan Square - Matt Grey

Size H x W	Watts	BTU	Element Output	Element Type	Code	£ Ex VAT	£ Inc VAT
800 x 500mm	305	1041	100W	A, A+, D, E, F, G	89.1250	115.00	138.00
800 x 600mm	349	1191	150W	A, A+, D, E, F, G	89.1251	126.00	151.20
1200 x 500mm	460	1570	150W	A, A+, D, E, F, G	89.1252	147.00	176.40
1200 x 600mm	527	1799	150W	A, A+, D, E, F, G	89.1253	159.00	190.80
1800 x 500mm	688	2348	300W	A, A+, D, E, F, G	89.1254	198.00	237.60
1800 x 600mm	789	2693	300W	A, A+, D, E, F, G	89.1255	216.00	259.20



TECHNICAL INFORMATION

All measurements in Height by Width. Heat output based on $\Delta T60^{\circ}\text{C}$. Radiators that are electric only are restricted to the heat output of the elements. Element size can be increased to full capacity of rail if using element type D, E, F or G. For element types see pages 718-729. For matching valves see pages 731-737. For indirect heating systems only. Tappings are approx. 30mm less than the width of the rail and approx. 80mm off the wall. Projection from wall is approx. 95mm. Price includes radiator and wall fixing sets, valves extra.

Multirail Range

TUSCAN SQUARE



Matt Anthracite

Bar Dimensions (mm)

Horizontal Bars 20 x 20mm
Vertical Bars 30 x 30mm

Pictured 89.1257 Matt Anthracite

FEATURES

- Tested to BS EN 442 standards
- Rear fixing metal wall brackets
- 5 Year manufacturer's warranty*
- Can be single or dual fuel, or all electric
- * With conditions

Technical Tables & Drawings

Page 752-753



Matt Black

Pictured 89.1267 Matt Black

Rear fixing metal wall brackets

Tuscan Square - Matt Anthracite							
Size H x W	Watts	BTU	Element Output	Element Type	Code	£ Ex VAT	£ Inc VAT
800 x 500mm	305	1041	100W	A, A+, D, E, F, G	89.1256	115.00	138.00
800 x 600mm	349	1191	150W	A, A+, D, E, F, G	89.1257	126.00	151.20
1200 x 500mm	460	1570	150W	A, A+, D, E, F, G	89.1258	147.00	176.40
1200 x 600mm	527	1799	150W	A, A+, D, E, F, G	89.1259	159.00	190.80
1800 x 500mm	688	2348	300W	A, A+, D, E, F, G	89.1260	198.00	237.60
1800 x 600mm	789	2693	300W	A, A+, D, E, F, G	89.1261	216.00	259.20

Tuscan Square - Matt Black							
Size H x W	Watts	BTU	Element Output	Element Type	Code	£ Ex VAT	£ Inc VAT
800 x 500mm	305	1041	100W	A, A+, D, E, F, G	89.1262	115.00	138.00
800 x 600mm	349	1191	150W	A, A+, D, E, F, G	89.1263	126.00	151.20
1200 x 500mm	460	1570	150W	A, A+, D, E, F, G	89.1264	147.00	176.40
1200 x 600mm	527	1799	150W	A, A+, D, E, F, G	89.1265	159.00	190.80
1800 x 500mm	688	2348	300W	A, A+, D, E, F, G	89.1266	198.00	237.60
1800 x 600mm	789	2693	300W	A, A+, D, E, F, G	89.1267	216.00	259.20

Warranty

5

Year

Heating

All Electric

Dual-Fuel

TECHNICAL INFORMATION

All measurements in Height by Width. Heat output based on ▲T60°C. Radiators that are electric only are restricted to the heat output of the elements. Element size can be increased to full capacity of rail if using element type D, E, F or G. For element types see pages 718-729. For matching valves see pages 731-737. For indirect heating systems only. Tappings are approx. 30mm less than the width of the rail and approx. 80mm off the wall. Projection from wall is approx. 95mm. Price includes radiator and wall fixing sets, valves extra.

Multirail Range

TUSCAN SQUARE MULTIRAIL

New Product

Technical Tables
& Drawings
Page 752-753



NEW



Pictured 89.1667 Chrome



Pictured 89.1648 Gloss White

Bar Dimensions (mm)

Horizontal Bars 20 x 20mm
Vertical Bars 30 x 30mm

Rear fixing metal wall brackets

The very popular Tuscan Square towel rail is now available as Multirail. Available in 3 heights and 2 widths with 4 colour options.

FEATURES

- 30x30mm square vertical bars with 20x20mm square horizontal bars
 - Rear fixing metal wall brackets
 - Tested to BS EN 442 standards
 - 4 colours available from stock
 - 5 Year Manufacturer's Warranty*
- *With conditions



SWATCHES AVAILABLE

Round Vent Caps

Page 741



Multirail Range

New Product

TUSCAN SQUARE MULTIRAIL

Tuscan Square Multirail - Gloss White

Size H x W	Watts	BTU	Element Output	Element Type	Code	£ Ex VAT	£ Inc VAT
800 x 500mm	425	1451	150W	A, A+, D, E, F, G	89.1647	128.00	153.60
800 x 600mm	497	1696	150W	A, A+, D, E, F, G	89.1648	145.00	174.00
1200 x 500mm	662	2259	150W	A, A+, D, E, F, G	89.1649	213.00	255.60
1200 x 600mm	775	2645	300W	A, A+, D, E, F, G	89.1650	233.00	279.60
1800 x 500mm	980	3344	300W	A, A+, D, E, F, G	89.1651	300.00	360.00
1800 x 600mm	1147	3914	300W	A, A+, D, E, F, G	89.1652	330.00	396.00

Tuscan Square Multirail - Matt Black

Size H x W	Watts	BTU	Element Output	Element Type	Code	£ Ex VAT	£ Inc VAT
800 x 500mm	425	1451	150W	A, A+, D, E, F, G	89.1659	128.00	153.60
800 x 600mm	497	1696	150W	A, A+, D, E, F, G	89.1660	145.00	174.00
1200 x 500mm	662	2259	150W	A, A+, D, E, F, G	89.1661	213.00	255.60
1200 x 600mm	775	2645	300W	A, A+, D, E, F, G	89.1662	233.00	279.60
1800 x 500mm	980	3344	300W	A, A+, D, E, F, G	89.1663	300.00	360.00
1800 x 600mm	1147	3914	300W	A, A+, D, E, F, G	89.1664	330.00	396.00

Tuscan Square Multirail - Matt Anthracite

Size H x W	Watts	BTU	Element Output	Element Type	Code	£ Ex VAT	£ Inc VAT
800 x 500mm	425	1451	150W	A, A+, D, E, F, G	89.1653	128.00	153.60
800 x 600mm	497	1696	150W	A, A+, D, E, F, G	89.1654	145.00	174.00
1200 x 500mm	662	2259	150W	A, A+, D, E, F, G	89.1655	213.00	255.60
1200 x 600mm	775	2645	300W	A, A+, D, E, F, G	89.1656	233.00	279.60
1800 x 500mm	980	3344	300W	A, A+, D, E, F, G	89.1657	300.00	360.00
1800 x 600mm	1147	3914	300W	A, A+, D, E, F, G	89.1658	330.00	396.00

Tuscan Square Multirail - Chrome

Size H x W	Watts	BTU	Element Output	Element Type	Code	£ Ex VAT	£ Inc VAT
800 x 500mm	274	935	100W	A, A+, D, E, F, G	89.1665	187.00	224.40
800 x 600mm	316	1079	100W	A, A+, D, E, F, G	89.1666	212.00	254.40
1200 x 500mm	426	1454	150W	A, A+, D, E, F, G	89.1667	313.00	375.60
1200 x 600mm	491	1676	150W	A, A+, D, E, F, G	89.1668	341.00	409.20
1800 x 500mm	645	2201	150W	A, A+, D, E, F, G	89.1669	440.00	528.00
1800 x 600mm	744	2539	300W	A, A+, D, E, F, G	89.1670	484.00	580.80

TECHNICAL INFORMATION

All measurements in Height by Width. Heat output based on $\Delta T60^{\circ}C$. Radiators that are electric only are restricted to the heat output of the elements. Element size can be increased to full capacity of rail if using element type D, E, F or G. For element types see pages 718-729. For matching valves see pages 731-737. For indirect heating systems only. Tappings are approx. 30mm less than the width of the rail and approx. 80mm off the wall. Price includes radiator and wall fixing sets, valves extra.

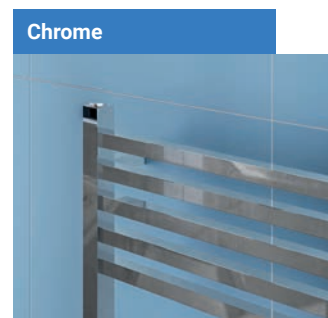


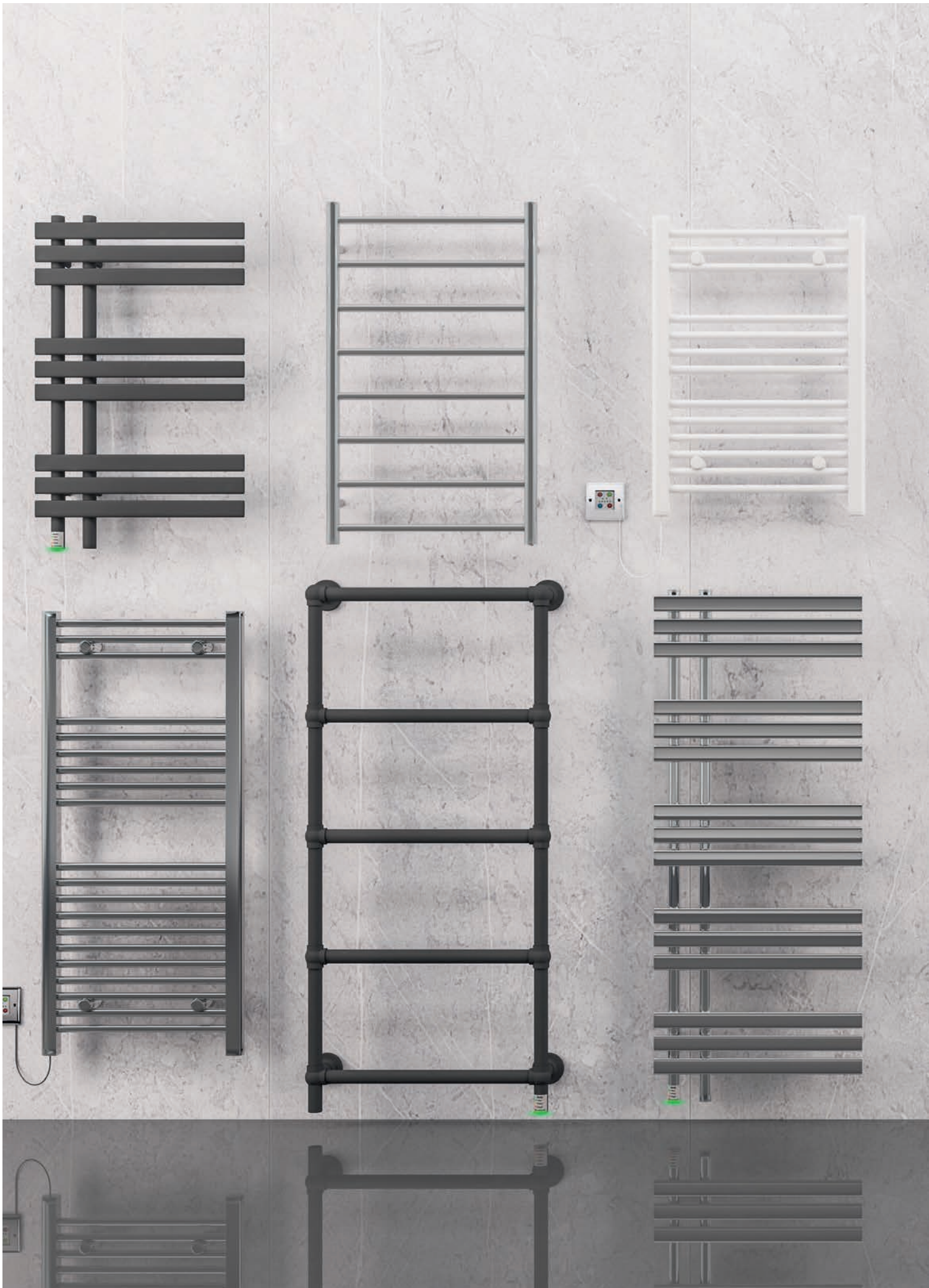
Warranty
5 Year

Heating
[Icon of a radiator]

All Electric
[Icon of a plug]

Dual-Fuel
[Icon of a plug and a radiator]





Dry Element Range

Using modern technology benefits, the Dry Element Range consists of lighter towel rails and energy efficient daily usage.

Contents

Biava Dry Element Straight, Available in 3 colours 520-521

Loddon Dry Element, Available in 4 colours - **NEW PRODUCT** 522-523

Kennet Dry Element, Matt Anthracite & Chrome - **NEW PRODUCT** 524

Emsbury Dry Element, Polished Stainless Steel - **NEW PRODUCT** 525



Dry Element Range

BIAVA DRY ELEMENT - STRAIGHT



Pictured 47.0001 Chrome with 67.0004 & 67.0005



Pictured 47.0015 Chrome

Integrated On/Off Button



On/Off Button

Biava Dry Element Towel Rail - Chrome [Integrated On/Off Button]

Size H x W	Watts	BTU	Code	£ Ex VAT	£ Inc VAT
1100 x 500mm	400	1365	47.0015	282.00	338.40

Biava Dry Element Towel Rail - Chrome

Size H x W	Watts	BTU	Code	£ Ex VAT	£ Inc VAT
700 x 500mm	250	853	47.0001	192.00	230.40
700 x 600mm	300	1024	47.0003	211.00	253.20
1100 x 500mm	400	1365	47.0002	255.00	306.00
1100 x 600mm	500	1706	47.0004	290.00	348.00

Biava Dry Element Towel Rail - Gloss White

Size H x W	Watts	BTU	Code	£ Ex VAT	£ Inc VAT
700 x 500mm	250	853	47.0005	146.00	175.20
700 x 600mm	300	1024	47.0007	165.00	198.00
1100 x 500mm	400	1365	47.0006	200.00	240.00
1100 x 600mm	500	1706	47.0008	226.00	271.20

Biava Dry Element Towel Rail - Matt Anthracite

Size H x W	Watts	BTU	Code	£ Ex VAT	£ Inc VAT
700 x 500mm	250	853	47.0009	162.00	194.40
700 x 600mm	300	1024	47.0011	181.00	217.20
1100 x 500mm	400	1365	47.0010	215.00	258.00
1100 x 600mm	500	1706	47.0012	249.00	298.80

FEATURES

- 19mm diameter horizontal round tubes
 - No fluid filling required
 - Just Connect and Go
 - Material of towel rail: Mild Steel
 - IPX4 Certificates (Zone 2 and 3)
 - Compatible with the Crafton Temperature Control Plate
 - 2 Year Manufacturer's Warranty*
- * With conditions

This product is electric only installation and cannot be used on a central heating system.

TECHNICAL INFORMATION

All measurements in Height by Width. Heat output based on $\Delta T60^{\circ}\text{C}$. This rail is reversible. Can not be fitted upside down.

Warranty

2
Year

Diameter (Ø)

19
MM Bars

All Electric



Technical Tables
& Drawings
Page 752-753



Dry Element Range

Gloss White



Pictured 47.0007 Gloss White with 67.0004

Chrome



Pictured 47.0004 Chrome with 67.0004 & 67.0005

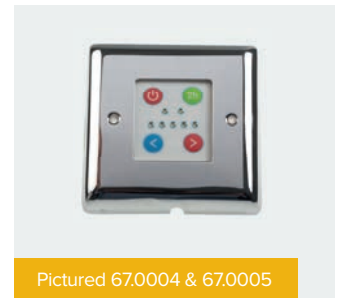
Matt Anthracite



Pictured 47.0012 Matt Anthracite with 67.0004 & 67.0005



Pictured 67.0004



Pictured 67.0004 & 67.0005

Optional Extra - Crafton Temperature Control Panel

Description	Code	£ Ex VAT	£ Inc VAT
Crafton Temperature Control Panel	67.0004	107.00	128.40
Chrome Plate for Crafton Temp Panel	67.0005	36.00	43.20

This item is an additional extra, that can be used with all above colours of the Biava Dry Element Towel Rails. Please see page 730 for more product details.

Robe Hooks

Page 738



Towel Hangers

Page 738



Multi-Rail Hangers

Page 738



Dry Element Range

LODDON DRY ELEMENT

New Product

NEW



Pictured 47.0042 Chrome



Pictured 47.0035 Matt Black

FEATURES

- No fluid filling required
 - Just connect and Go
 - Material of Towel Rail : Mild Steel
 - IPX4 certificates (Zone 2 and 3)
 - 4 colours available from stock
 - 2 Year Manufacturer's Warranty*
- *With conditions

Technical Tables
& Drawings
Page 754-755



Warranty

2
Year

All Electric



This product is electric only installation and cannot be used on a central heating system.

Dry Element Range

New Product

LODDON DRY ELEMENT

Loddon Dry Element Towel Rail - Matt White

Size H x W	Watts	BTU	Code	£ Ex VAT	£ Inc VAT
800 x 500mm*	300	1024	47.0027	402.00	482.40
800 x 600mm*	350	1195	47.0028	424.00	508.80
1200 x 500mm	450	1536	47.0029	495.00	594.00
1200 x 600mm	500	1707	47.0030	522.00	626.40

Loddon Dry Element Towel Rail - Matt Anthracite

Size H x W	Watts	BTU	Code	£ Ex VAT	£ Inc VAT
800 x 500mm*	300	1024	47.0031	402.00	482.40
800 x 600mm*	350	1195	47.0032	424.00	508.80
1200 x 500mm	450	1536	47.0033	495.00	594.00
1200 x 600mm	500	1707	47.0034	522.00	626.40

*The total height of this rail is 780mm

Loddon Dry Element Towel Rail - Matt Black

Size H x W	Watts	BTU	Code	£ Ex VAT	£ Inc VAT
800 x 500mm*	300	1024	47.0035	402.00	482.40
800 x 600mm*	350	1195	47.0036	424.00	508.80
1200 x 500mm	450	1536	47.0037	495.00	594.00
1200 x 600mm	500	1707	47.0038	522.00	626.40

Loddon Dry Element Towel Rail - Chrome

Size H x W	Watts	BTU	Code	£ Ex VAT	£ Inc VAT
800 x 500mm*	300	1024	47.0039	478.00	573.60
800 x 600mm*	350	1195	47.0040	534.00	640.80
1200 x 500mm	450	1536	47.0041	560.00	672.00
1200 x 600mm	500	1707	47.0042	615.00	738.00

*The total height of this rail is 780mm

TECHNICAL INFORMATION

All measurements in Height by Width. Heat output based on $\Delta T60^{\circ}\text{C}$. Can not be fitted upside down. Comes with an information label in the front that can be removed. Projection from wall 100mm.

Colour Coded Boost Function

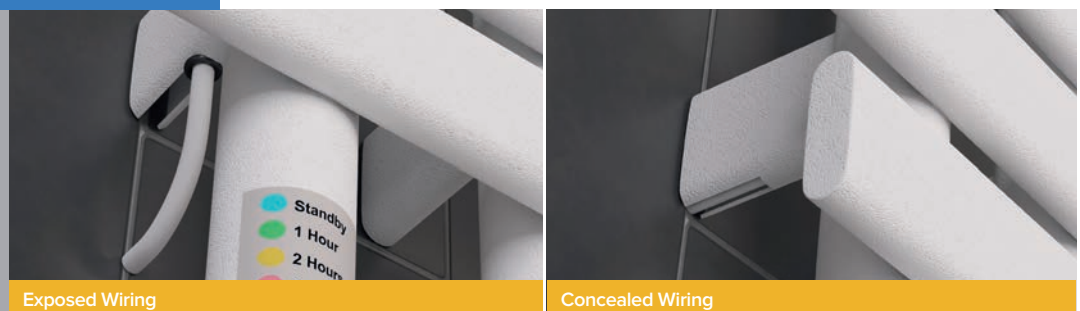
The Loddon Dry Element towel rail has a colour coded boost function which allows the length of time the rail runs for to be set.

It can be on standby, 1 hour, 2 hours, 3 hours or continuously running.



Concealed or Exposed Wiring Option

The Loddon Dry Element towel rail can be installed with two different wiring options; an exposed wiring installation or concealed wiring installation.



Matt White



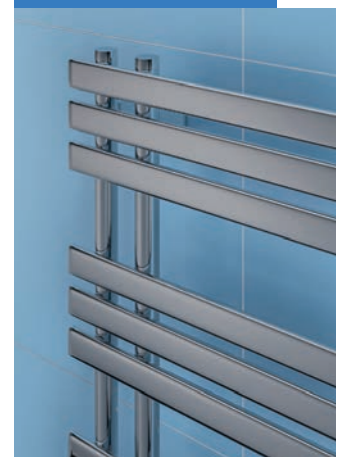
Matt Anthracite



Matt Black



Chrome



Dry Element Range

KENNET DRY ELEMENT

New Product

NEW



Pictured 47.0049 Chrome



Pictured 47.0044 Matt Anthracite

Warranty

2

Year

All Electric

FEATURES

- No fluid filling required
 - Just connect and Go
 - Material of Towel Rail : Mild Steel
 - IPX4 certificates (Zone 2 and 3)
 - 2 colours available from stock
 - 2 Year Manufacturer's Warranty*
- *With conditions

Technical Tables
& Drawings
Page 754-755



This product is electric only installation and cannot be used on a central heating system.

Kennet Dry Element Towel Rail - Matt Anthracite

Size H x W	Watts	BTU	Code	£ Ex VAT	£ Inc VAT
700 x 500mm*	120	410	47.0043	376.00	451.20
700 x 600mm*	150	512	47.0044	398.00	477.60
1200 x 500mm**	200	683	47.0045	446.00	535.20
1200 x 600mm**	230	785	47.0046	483.00	579.60

Kennet Dry Element Towel Rail - Chrome

Size H x W	Watts	BTU	Code	£ Ex VAT	£ Inc VAT
700 x 500mm*	120	410	47.0047	429.00	514.80
700 x 600mm*	150	512	47.0048	447.00	536.40
1200 x 500mm**	200	683	47.0049	506.00	607.20
1200 x 600mm**	230	785	47.0050	544.00	652.80

* Height shown excludes bottom control leg. Total height is 744.5mm

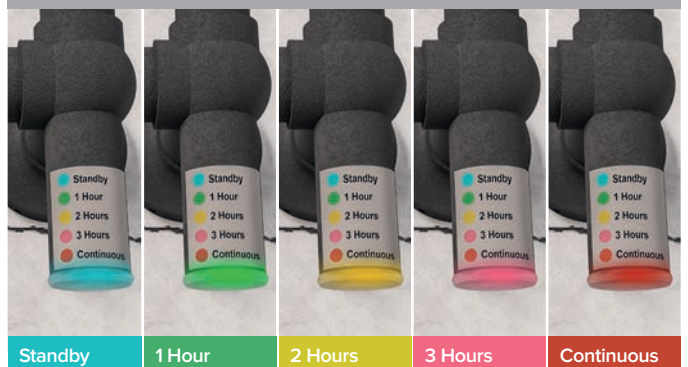
** Height shown excludes bottom control leg. Total height is 1253mm

TECHNICAL INFORMATION

All measurements in Height by Width. Heat output based on ▲T60°C. Can not be fitted upside down. Comes with an information label in the front that can be removed. Projection from wall 130mm.

Colour Coded Boost Function

The Kennet Dry Element towel rail has a colour coded boost function which allows the length of time the rail runs for to be set. It can be on standby, 1 hour, 2 hours, 3 hours or continuously running.

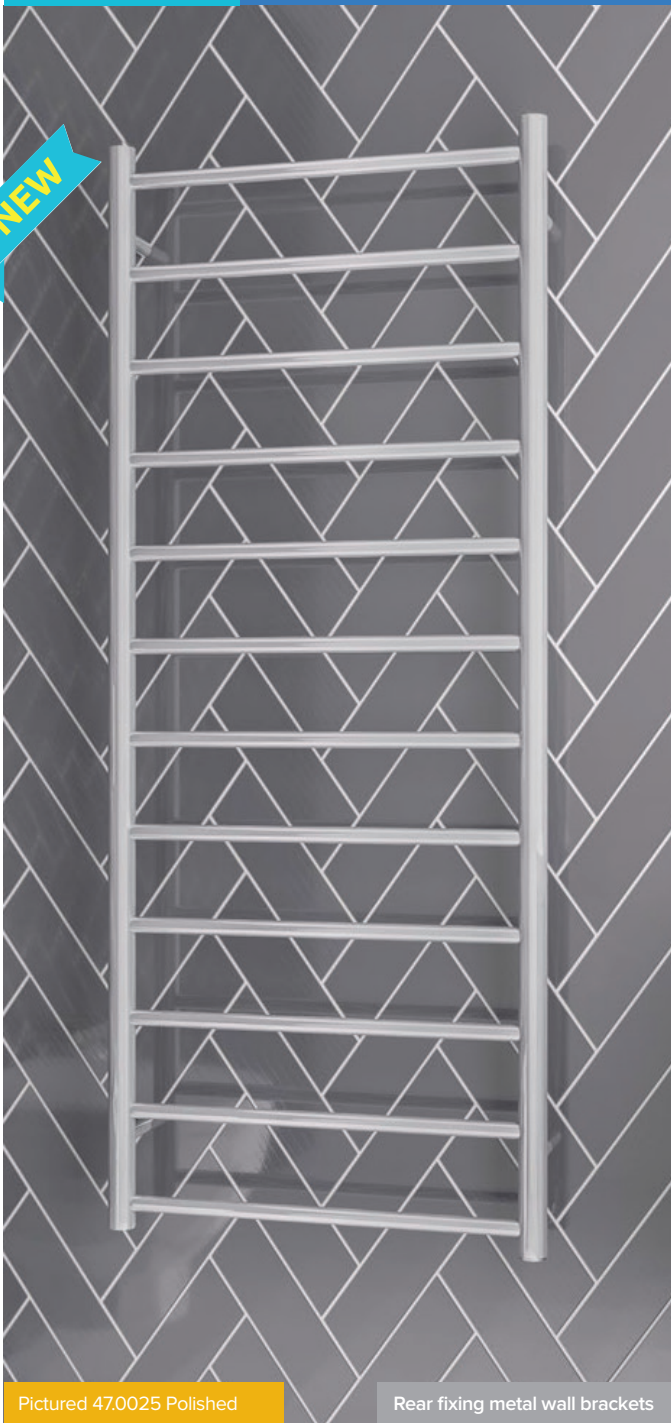


Standby 1 Hour 2 Hours 3 Hours Continuous

Dry Element Range

New Product

EMSBURY DRY ELEMENT



Emsbury Dry Element Towel Rail - Polished					
Size H x W	Watts	BTU	Code	£ Ex VAT	£ Inc VAT
800 x 500mm	150	512	47.0023	391.00	469.20
800 x 600mm	200	683	47.0024	421.00	505.20
1200 x 500mm	250	854	47.0025	448.00	537.60
1200 x 600mm	300	1024	47.0026	467.00	560.40

FEATURES

- No fluid filling required
- Comes with integrated On/Off button
- Just connect and Go
- Material of Towel Rail : Grade 304 Stainless Steel
- Rear fixing metal wall brackets
- IPX4 certificates (Zone 2 and 3)
- Only available as polished surface finishing
- 2 Year Manufacturer's Warranty*

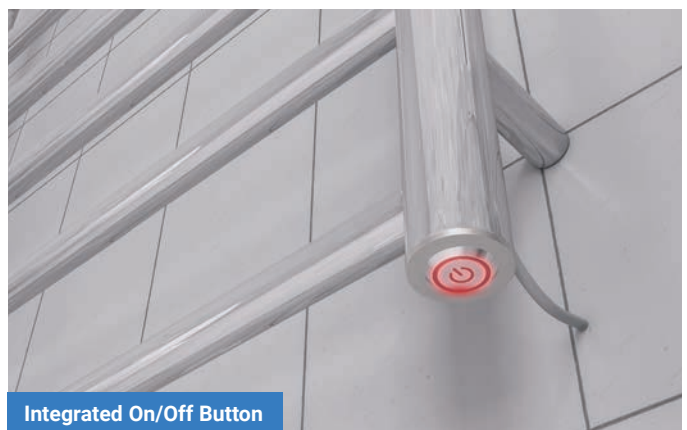
Technical Tables & Drawings
Page 754-755



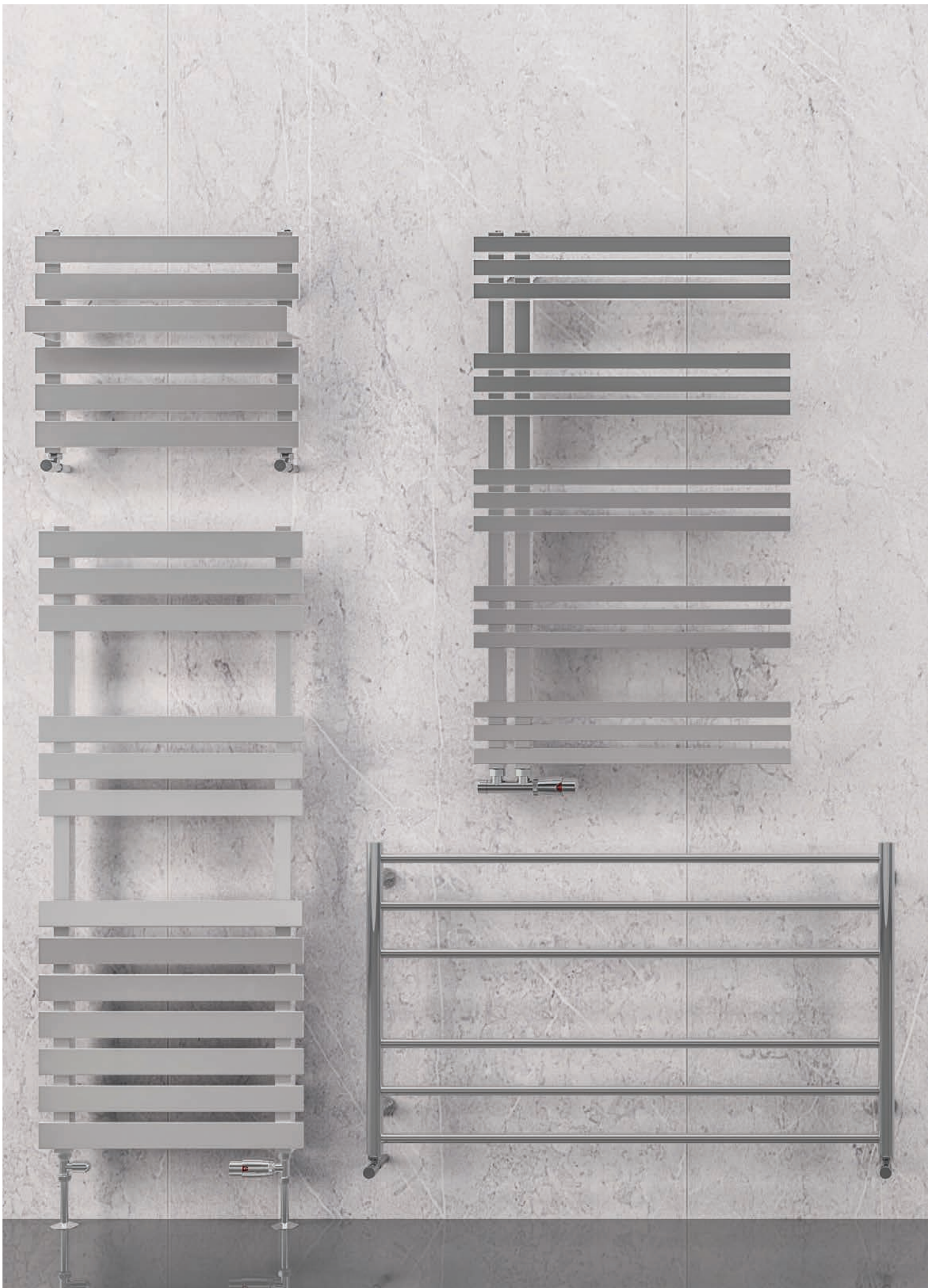
This product is electric only installation and cannot be used on a central heating system.

TECHNICAL INFORMATION

All measurements in Height by Width. Heat output based on $\Delta T60^{\circ}C$. Can not be fitted upside down. Projection from wall 92mm.



Integrated On/Off Button



Stainless Steel Range

Whilst retaining the features of a ladder rail, the stainless steel range produces a stylish contemporary look.

Contents

Rizano, Polished	528
Violla, Polished	529
Biava Flat, Polished	530
Ascona, Polished	531



Stainless Steel Range

RIZANO

Can be reverse handed
(Left or Right)



Furniture for illustration purposes only

Pictured 41.0250 Polished



Twin TRV's
Page 733



Tappings: 50mm

Technical Tables
& Drawings
Page 756-757



Bar Dimensions (mm)

Horizontal Bars 30 x 15mm

This sophisticated, ultra modern radiator adds a hugely useful feature with its single sided towel bars.

Rizano - Stainless Steel Polished

Size H x W	Watts	BTU	Element Output	Element Type	Code	£ Ex VAT	£ Inc VAT
1000 x 500mm	545	1859	300W	A, A+, D, E	41.0250	609.00	730.80
1000 x 600mm	626	2136	300W	A, A+, D, E	41.0251	838.00	1005.60

FEATURES

- Grade 304 Stainless Steel material
 - Mirror polished surface (Chrome effect)
 - Can be single, dual fuel or all electric
 - Tested to BS EN 442 standards
 - Tappings at the top and bottom. Can be reverse handed (left or right)
 - Twin valves can be used with this towel rail
 - 5 Year Manufacturer's Warranty*
- * With conditions

TECHNICAL INFORMATION

All measurements in Height by Width. Heat output based on $\Delta T60^{\circ}\text{C}$. Radiators that are electric only are restricted to the heat output of the elements. Element size can be increased to full capacity of rail if using element type D or E. For element types see pages 718-729. For matching valves see pages 731-737. For direct & indirect heating systems. Tappings are approx. 50mm and approx. 65mm off the wall. Price includes radiator and wall fixing sets, valves extra. Maximum working pressure: 4 bars.



Stainless Steel Range

VIOLLA



Pictured 91.0177 Polished

Warranty

5

Year

Heating

All Electric

Dual-Fuel

Rear fixing wall brackets

A take on the simple ladder rail design this radiator is both functional and minimalist. Rail spacing makes it easy to put a towel on all of the bars, making it the perfect family bathroom solution.

Violla - Stainless Steel Polished							
Size H x W	Watts	BTU	Element Output	Element Type	Code	£ Ex VAT	£ Inc VAT
590 x 1000mm	231	788	150W	A, A+, D, E, F, G	91.0171	403.00	483.60
790 x 500mm	199	679	100W	A, A+, D, E, F, G	91.0172	393.00	471.60
790 x 600mm	226	771	150W	A, A+, D, E, F, G	91.0173	420.00	504.00
1210 x 500mm	320	1092	150W	A, A+, D, E, F, G	91.0174	445.00	534.00
1210 x 600mm	366	1249	150W	A, A+, D, E, F, G	91.0175	466.00	559.20
1630 x 500mm	416	1419	150W	A, A+, D, E, F, G	91.0176	581.00	697.20
1630 x 600mm	474	1617	300W	A, A+, D, E, F, G	91.0177	687.00	824.40



Pictured 91.0174 Polished

Technical Tables & Drawings
Page 754-755

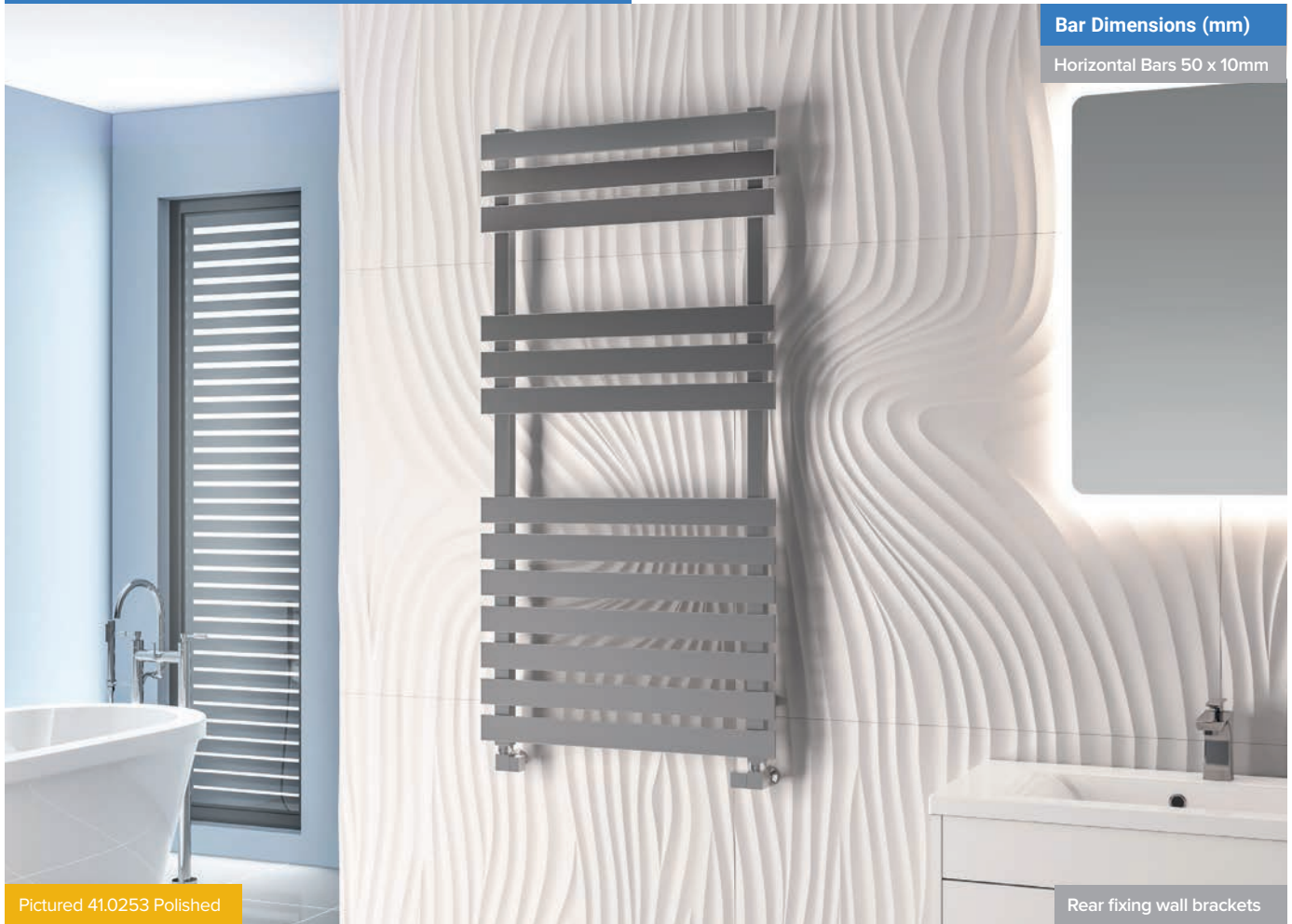
- FEATURES**
- Grade 304 Stainless Steel material
 - Mirror polished surface (Chrome effect)
 - Can be single, dual fuel or all electric
 - Tested to BS EN 442 standards
 - Rear fixing wall brackets
 - Tappings only at the bottom
 - Hidden air vent at the back
 - Flush finished tops
 - 5 Year Manufacturer's Warranty*
 - * With conditions

TECHNICAL INFORMATION

All measurements in Height by Width. Heat output based on ▲T60°C. Radiators that are electric only are restricted to the heat output of the elements. Element size can be increased to full capacity of rail if using element type D, E, F or G. For element types see pages 718-729. For matching valves see pages 731-737. For direct & indirect heating systems. Tappings are approx. 32mm less than the width of the rail and approx. 79mm off the wall. Prices include radiator and wall fixings sets, valves extra. Maximum working pressure: 4 bars.

Stainless Steel Range

BIAVA FLAT



Bar Dimensions (mm)

Horizontal Bars 50 x 10mm

Pictured 41.0253 Polished

Rear fixing wall brackets

Whilst retaining the features of a ladder rail, this flat panelled radiator produces a stylish and contemporary look. The larger surface area of the flat panels allow for a higher heat output with no compromise on design.

Biava Flat - Stainless Steel Polished

Size H x W	Watts	BTU	Element Output	Element Type	Code	£ Ex VAT	£ Inc VAT
1190 x 500mm	621	2119	300W	A, A+, D, E	41.0252	693.00	831.60
1190 x 600mm	712	2429	300W	A, A+, D, E	41.0253	755.00	906.00

FEATURES

- Grade 304 Stainless Steel material
 - Mirror polished surface (Chrome effect)
 - Can be single, dual fuel or all electric
 - Tested to BS EN 442 standards
 - Rear fixing wall brackets
 - Tappings only at the bottom
 - Hidden air vent at the back
 - Flush finished tops
 - 5 Year Manufacturer's Warranty*
- * With conditions

Technical Tables
& Drawings
Page 756-757



TECHNICAL INFORMATION

All measurements in Height by Width. Heat output based on $\Delta T60^{\circ}\text{C}$. Radiators that are electric only are restricted to the heat output of the elements. Element size can be increased to full capacity of rail if using element type D or E. For element types see pages 718-729. For matching valves see pages 731-737. For direct & indirect heating systems. Tappings are approx. 80mm less than the width of the rail and approx. 65mm off the wall. Prices include radiator and wall fixings sets, valves extra. Maximum working pressure: 4 bars.

Warranty

5

Year

Heating

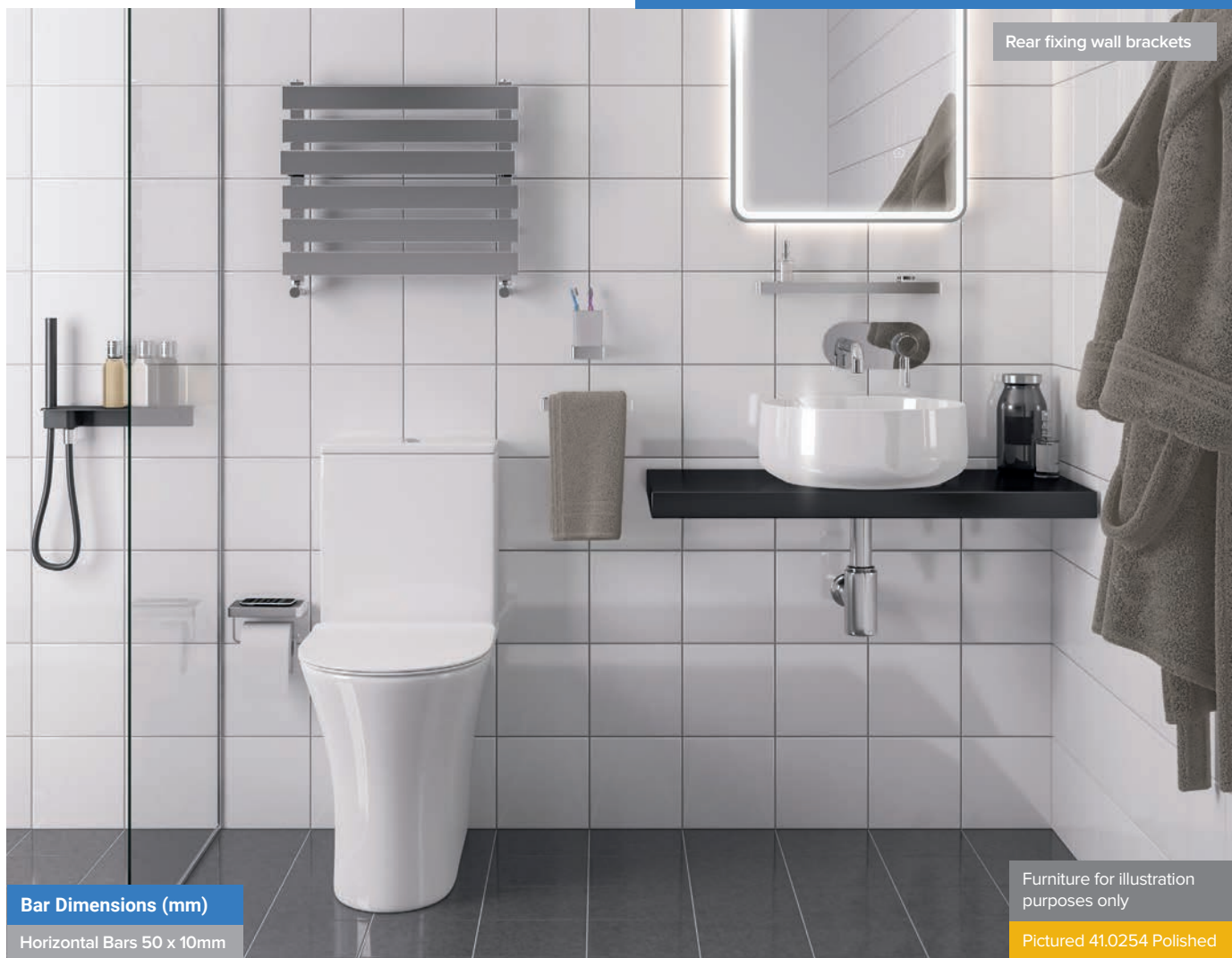
All Electric

Dual-Fuel



Stainless Steel Range

ASCONA



Rear fixing wall brackets

Bar Dimensions (mm)

Horizontal Bars 50 x 10mm

Furniture for illustration purposes only

Pictured 41.0254 Polished

This sophisticated, ultra modern radiator adds a hugely useful feature with its single sided towel bars.

Ascona - Stainless Steel Polished

Size H x W	Watts	BTU	Element Output	Element Type	Code	£ Ex VAT	£ Inc VAT
420 x 500mm	280	955	150W	A, A+, D, E	41.0254	476.00	571.20

FEATURES

- Grade 304 Stainless Steel material
 - Mirror polished surface (Chrome effect)
 - Can be single, dual fuel or all electric
 - Tested to BS EN 442 standards
 - Rear fixing wall brackets
 - Tappings only at the bottom, with hidden air vent at the back
 - Flush finished tops
 - 5 Year Manufacturer's Warranty*
- * With conditions

Technical Tables & Drawings

Page 756-757



TECHNICAL INFORMATION

All measurements in Height by Width. Heat output based on $\Delta T60^{\circ}C$. Radiators that are electric only are restricted to the heat output of the elements. Element size can be increased to full capacity of rail if using element type E. For element types see pages 718-729. For matching valves see pages 731-737. For direct & indirect heating systems. Tappings are approx. 60mm less than the width of the rail and approx. 45mm off the wall. Price includes radiator and wall fixing sets, valves extra. Maximum working pressure: 4 bars.



Warranty

5

Year

Heating

All Electric

Dual-Fuel



Sub Section

Designer Range

Our aim is to offer a statement piece radiator that allows maximum space to keep towels warm. In the designer range you can find a huge variety of towel rail styles and radiators using minimalistic, clean designs.

Contents

Leonardo, Chrome & Brushed Brass - NEW COLOUR	534	Tunstall Vertical, Available in 4 colours - NEW SIZES	572-573
Staverton Tube on Tube Straight, Available in 3 colours - NEW COLOUR	535	Tunstall Horizontal, Available in 3 colours - NEW SIZES	574
Staverton Tube on Tube Curved, Chrome	536	Tunstall Towel Rail, Available in 4 colours	575
Biava Corinium, Chrome	537	Tunstall Double Vertical, Available in 3 colours - NEW COLOUR & NEW SIZES	576
Defford, Available in 5 colours	538-539	Tunstall Double Horizontal, Available in 3 colours - NEW COLOUR & NEW SIZES	577
Staverton, Available in 3 colours - NEW COLOUR	540	Tunstall Double Towel Rail, Available in 3 colours - NEW COLOUR	578
Mezzo Tondo, Chrome	541	Tunstall Mirror & Double Mirror, Available in 3 colours - NEW COLOUR	579
Pesaro, Chrome	541	Deddington Vertical, Available in 5 colours	580-581
Santero, Available in 4 colours	542-543	Deddington Horizontal, Available in 5 colours	582-583
Hurley, Available in 6 colours - NEW COLOUR & NEW SIZES	544-545	Deddington Towel Rail, Available in 5 colours	584-585
Helmsley, Available in 4 colours	546-547	Addington Type10, Gloss White & Matt Anthracite	586-589
Platani, Available in 5 colours	548-549	Addington Type10 Towel Rail, Gloss White & Matt Anthracite	590
Reinbach, Available in 5 colours	550-551	Addington Type10 Towel Hangers	591
Marlow, Available in 5 colours	552-553	Addington Type20, Gloss White & Matt Anthracite	592-595
Marlow E-Style, Available in 5 colours	554-555	Addington Type21 Horizontal, Gloss White & Matt Anthracite	596
Lambourne, Available in 4 colours - NEW PRODUCT	556-557	Addington Type22 Horizontal, Gloss White & Matt Anthracite	597
Murano Vertical & Horizontal, Available in 4 colours	558-559	Addington Type20 Towel Rail, Gloss White & Matt Anthracite	598
Ryton, Available in 3 colours	560-561	Addington Type21 Towel Rail, Gloss White & Matt Anthracite	599
Kenilworth, Available in 3 colours	562-563		
Loxley, Available in 3 colours	564		
Eshton, Available in 3 colours	565		
Rubano Vertical & Horizontal, Gloss White & Matt Anthracite	566-567		
Rowsham Vertical & Horizontal, Matt White & Matt Anthracite	568-570		
Rowsham Towel Rail, Matt White & Matt Anthracite	571		

Designer Range

LEONARDO Including new colour

Warranty

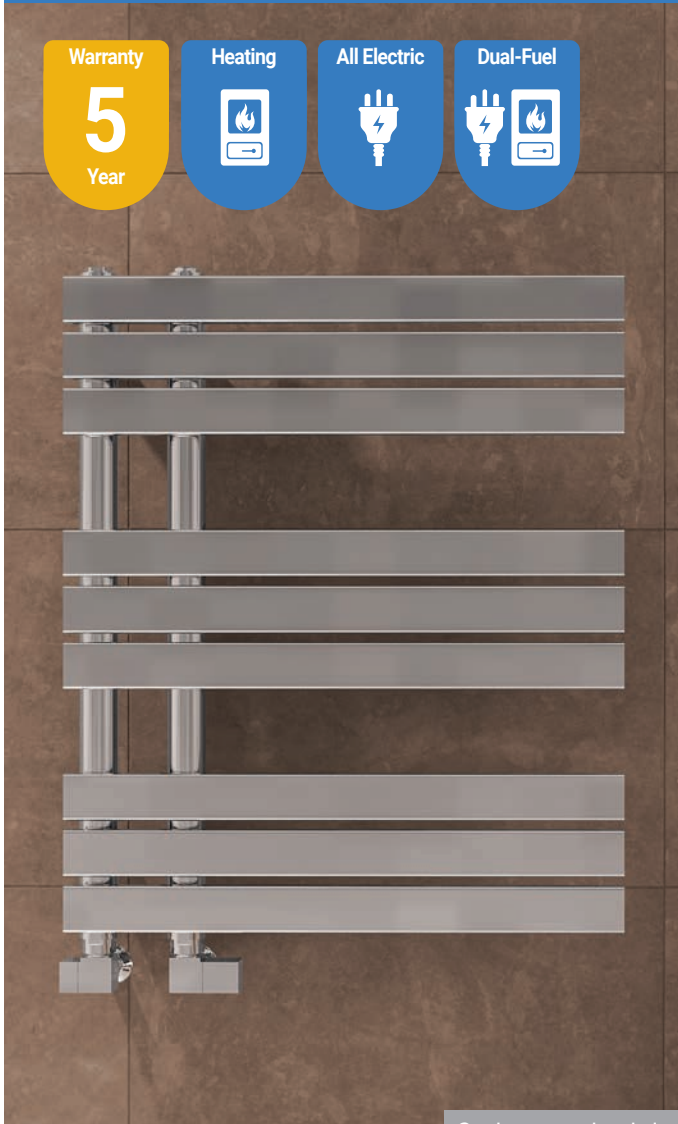
5

Year

Heating

All Electric

Dual-Fuel



Pictured 41.0261 Chrome Can be reverse handed (Left or Right)

The single sided pipes on this wonderfully stylish Leonardo rail allows maximum hanging space.

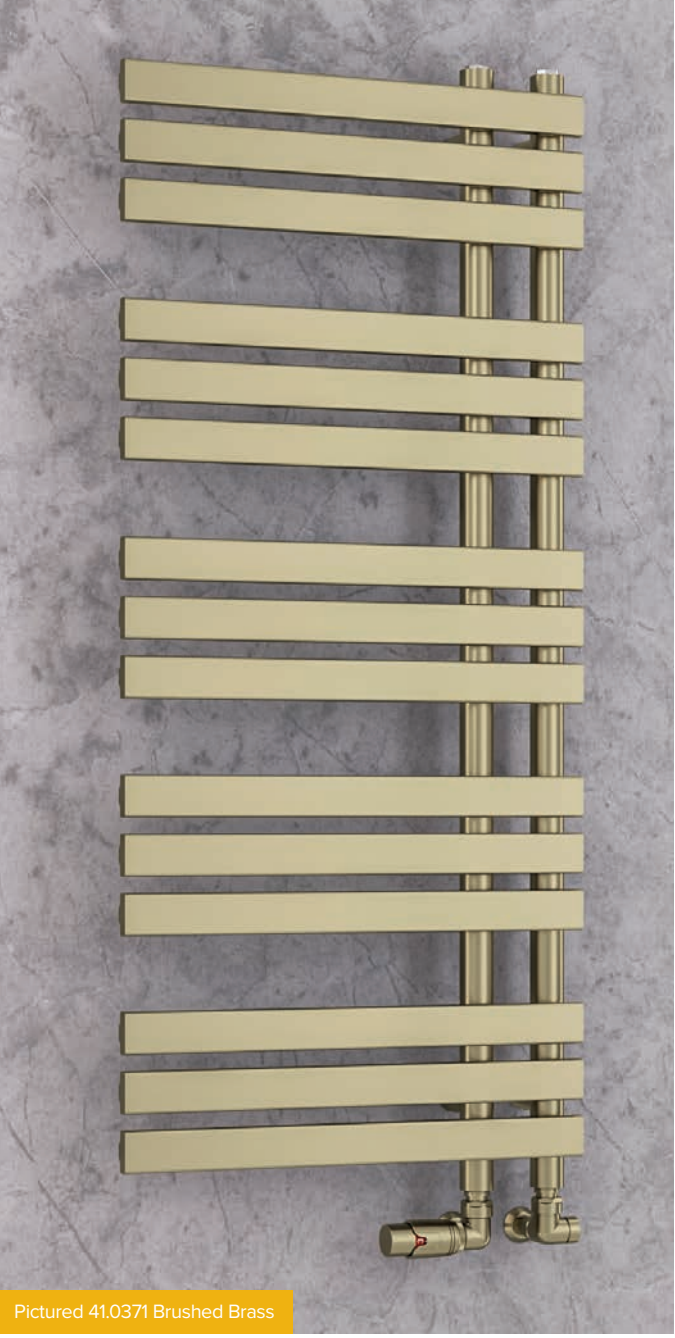
FEATURES

- 42 x 14mm. horizontal bars
- Tested to BS EN 442 standards
- 5 Year manufacturer's warranty*
- Can be reverse handed (left or right)
- Can be single or dual fuel, or all electric
- * With conditions

Technical Tables & Drawings
Page 756-757

Leonardo - Chrome							
Size H x W	Watts	BTU	Element Output	Element Type	Code	£ Ex VAT	£ Inc VAT
600 x 400mm	244	833	150W	A, A+, D, E, F, G	41.0255	272.00	326.40
600 x 500mm	288	983	150W	A, A+, D, E, F, G	41.0258	295.00	354.00
600 x 600mm	332	1133	150W	A, A+, D, E, F, G	41.0263	322.00	386.40
688 x 500mm	324	1105	150W	A, A+, D, E, F, G	41.0261	307.00	368.40
1200 x 400mm	465	1587	150W	A, A+, D, E, F, G	41.0256	458.00	549.60
1200 x 500mm	548	1870	300W	A, A+, D, E, F, G	41.0259	508.00	609.60
1200 x 600mm	631	2153	300W	A, A+, D, E, F, G	41.0264	552.00	662.40
1450 x 500mm	658	2245	300W	A, A+, D, E, F, G	41.0262	597.00	716.40
1800 x 400mm	665	2269	300W	A, A+, D, E, F, G	41.0257	638.00	765.60
1800 x 500mm	780	2661	450W	A, A+, D, E, F, G	41.0260	703.00	843.60
1800 x 600mm	896	3057	450W	A, A+, D, E, F, G	41.0265	768.00	921.60

Bar Dimensions (mm)
Horizontal Bars 42 x 14mm



Pictured 41.0371 Brushed Brass

Leonardo - Brushed Brass							New Colour
Size H x W	Watts	BTU	Element Output	Element Type	Code	£ Ex VAT	£ Inc VAT
1200 x 500mm*	548	1870	300W	A, A+, D, E, F, G	41.0371	679.00	814.80
1200 x 600mm*	631	2153	300W	A, A+, D, E, F, G	41.0372	733.00	879.60

* Available February 2023.

TECHNICAL INFORMATION

All measurements in Height by Width. Heat output based on ▲T60°C. Radiators that are electric only are restricted to the heat output of the elements. Element size can be increased to full capacity of rail if using element type D, E, F or G. For element types see pages 718-729. For matching valves see pages 731-737. For indirect heating systems only. Tappings are approx. 82mm and approx. 65mm off the wall. Price includes radiator and wall fixing sets, valves extra.

Brushed Brass colour shown in images are subject to the limitations of the printing process and may appear different.

Designer Range

Including new colour

STAVERTON - TUBE ON TUBE - STRAIGHT



Pictured 41.0334 Chrome

Bar Dimensions (mm)

Horizontal Bars 68 x 12mm



Rear fixing wall brackets

Pictured 41.0375 Brushed Brass

The Staveron Tube on Tube takes the design one step further with a higher output.

Staveron - Tube on Tube - Straight Gloss White							
Size H x W	Watts	BTU	Element Output	Element Type	Code	£ Ex VAT	£ Inc VAT
600 x 400mm	364	1242	150W	A, A+, D, E, F, G	41.0190	220.00	264.00
600 x 500mm	432	1474	150W	A, A+, D, E, F, G	41.0193	239.00	286.80
600 x 600mm	500	1706	300W	A, A+, D, E, F, G	41.0196	260.00	312.00
1200 x 400mm	651	2221	300W	A, A+, D, E, F, G	41.0191	354.00	424.80
1200 x 500mm	766	2614	450W	A, A+, D, E, F, G	41.0194	368.00	441.60
1200 x 600mm	883	3013	450W	A, A+, D, E, F, G	41.0197	404.00	484.80
1800 x 400mm	1014	3460	600W	A, A+, D, E, F, G	41.0192	509.00	610.80
1800 x 500mm	1198	4088	600W	A, A+, D, E, F, G	41.0195	535.00	642.00
1800 x 600mm	1382	4715	750W	A, A+, D, E, F, G	41.0198	590.00	708.00

Staveron - Tube on Tube - Straight Chrome							
Size H x W	Watts	BTU	Element Output	Element Type	Code	£ Ex VAT	£ Inc VAT
600 x 400mm	288	983	150W	A, A+, D, E, F, G	41.0181	381.00	457.20
600 x 500mm	340	1160	150W	A, A+, D, E, F, G	41.0184	416.00	499.20
600 x 600mm	394	1344	150W	A, A+, D, E, F, G	41.0187	453.00	543.60
600 x 1000mm	603	2057	300W	A, A+, D, E, F, G	41.0333	559.00	670.80
600 x 1200mm	710	2423	300W	A, A+, D, E, F, G	41.0334	578.00	693.60
800 x 1000mm	779	2658	450W	A, A+, D, E, F, G	41.0335	645.00	774.00
800 x 1200mm	916	3125	450W	A, A+, D, E, F, G	41.0336	729.00	874.80
1200 x 400mm	514	1754	300W	A, A+, D, E, F, G	41.0182	652.00	782.40
1200 x 500mm	606	2068	300W	A, A+, D, E, F, G	41.0185	686.00	823.20
1200 x 600mm	697	2378	300W	A, A+, D, E, F, G	41.0188	752.00	902.40
1800 x 400mm	802	2736	450W	A, A+, D, E, F, G	41.0183	912.00	1094.40
1800 x 500mm	946	3228	450W	A, A+, D, E, F, G	41.0186	961.00	1153.20
1800 x 600mm	1092	3726	600W	A, A+, D, E, F, G	41.0189	1122.00	1346.40

Staveron - Tube on Tube - Brushed Brass							New Colour
Size H x W	Watts	BTU	Element Output	Element Type	Code	£ Ex VAT	£ Inc VAT
1200 x 500mm*	606	2068	300W	A, A+, D, E, F, G	41.0375	850.00	1020.00
1200 x 600mm*	697	2378	300W	A, A+, D, E, F, G	41.0376	920.00	1104.00

* Available February 2023.

FEATURES

- 68 x 12mm. horizontal bars
- Rear fixing wall brackets
- Tested to BS EN 442 standards
- 5 Year manufacturer's warranty*
- Can be single or dual fuel, or all electric
- * With conditions

Technical Tables & Drawings

Page 758-759



TECHNICAL INFORMATION

All measurements in Height by Width. Heat output based on ▲T60°C. Radiators that are electric only are restricted to the heat output of the elements. Element size can be increased to full capacity of rail if using element type D, E, F or G. For element types see pages 718-729. For matching valves see pages 731-737. For indirect heating systems only. Tappings are approx. 50mm less than the width of the rail and approx. 65mm off the wall. Price includes radiator and wall fixing sets, valves extra.

Brushed Brass colour shown in images are subject to the limitations of the printing process and may appear different.

Designer Range

STAVERTON - TUBE ON TUBE - CURVED

Bar Dimensions (mm)
Horizontal Bars 42 x 14mm



Pictured 41.0234 Chrome

Rear fixing wall brackets

Staverton - Tube on Tube - Curved Chrome							
Size H x W	Watts	BTU	Element Output	Element Type	Code	£ Ex VAT	£ Inc VAT
600 x 500mm	328	1119	150W	A, A+, D, E, F, G	41.0232	368.00	441.60
600 x 600mm	378	1290	150W	A, A+, D, E, F, G	41.0233	404.00	484.80
1200 x 500mm	628	2143	300W	A, A+, D, E, F, G	41.0234	645.00	774.00
1200 x 600mm	722	2463	450W	A, A+, D, E, F, G	41.0235	707.00	848.40
1800 x 500mm	928	3166	450W	A, A+, D, E, F, G	41.0236	916.00	1099.20
1800 x 600mm	1067	3641	600W	A, A+, D, E, F, G	41.0237	1009.00	1210.80

- FEATURES**
- 42 x 14mm. horizontal bars
 - Rear fixing wall brackets
 - Tested to BS EN 442 standards
 - 5 Year manufacturer's warranty*
 - Can be single or dual fuel, or all electric
 - * With conditions

Technical Tables & Drawings
Page 758-759

TECHNICAL INFORMATION

All measurements in Height by Width. Heat output based on $\Delta T60^{\circ}C$. Radiators that are electric only are restricted to the heat output of the elements. Element size can be increased to full capacity of rail if using element type D, E, F or G. For element types see pages 718-729. For matching valves see pages 731-737. For indirect heating systems only. Tappings are approx. 45mm less than the width of the rail and approx. 65mm off the wall. Price includes radiator and wall fixing sets, valves extra.

Warranty

5

Year

Heating

All Electric

Dual-Fuel



Pictured 41.0234 Chrome

Designer Range

BIAVA CORINIUM



Technical Tables
& Drawings
Page 758-759



Pictured 41.0224 Chrome



Pictured 41.0224 Chrome

The Corinium rail is a contemporary unique design with a practical built in heated towel rail shelf at the top for stacking those larger towels. It's projection from the wall is 225mm.

Biava Corinium - Chrome							
Size H x W	Watts	BTU	Element Output	Element Type	Code	£ Ex VAT	£ Inc VAT
1200 x 500mm	304	1037	150W	A, A+, C, E, H	41.0222	280.00	336.00
1200 x 600mm	330	1126	150W	A, A+, C, E, H	41.0224	291.00	349.20

FEATURES

- Tested to BS EN 442 standards
- 5 Year manufacturer's warranty*
- Can be single or dual fuel, or all electric
- * With conditions

TECHNICAL INFORMATION

All measurements in Height by Width. Heat output based on $\Delta T60^{\circ}\text{C}$. Radiators that are electric only are restricted to the heat output of the elements. Element size can be increased to full capacity of rail if using element type C, E or H. For element types see pages 718-729. For matching valves see pages 731-737. For indirect heating systems only. Tappings are approx. 100mm less than the width of the rail. Price includes radiator and wall fixing sets, valves extra. Projection from wall 225mm.

Warranty

5

Year

Heating

All Electric

Dual-Fuel

Designer Range

DEFFORD

Chrome



Bar Dimensions (mm)

Horizontal Bars 40 x 10mm
Vertical Bars 40 x 30mm

Pictured 89.1303 Chrome

Matt Black



Pictured 89.1294 Matt Black

Rear fixing metal wall brackets

Defford has been specifically designed to give maximum space for your towels and can produce enough warmth to heat a bathroom.

FEATURES

- 40 x 10mm. horizontal bars with 40 x 30mm. vertical D profile
 - Tested to BS EN 442 standards
 - Rear fixing metal wall brackets
 - 5 colours available from stock
 - 5 Year manufacturer's warranty*
 - Can be single or dual fuel, or all electric
- * With conditions



<p>Warranty</p> <p>5</p> <p>Year</p>	<p>Heating</p>
<p>All Electric</p>	<p>Dual-Fuel</p>

Designer Range

DEFFORD

Defford Towel Rail - Gloss White

Size H x W	Watts	BTU	Element Output	Element Type	Code	£ Ex VAT	£ Inc VAT
800 x 500mm	405	1382	150W	A, A+, D, E, F, G	89.1274	118.00	141.60
800 x 600mm	467	1594	150W	A, A+, D, E, F, G	89.1275	131.00	157.20
1200 x 500mm	603	2058	300W	A, A+, D, E, F, G	89.1276	187.00	224.40
1200 x 600mm	695	2372	300W	A, A+, D, E, F, G	89.1277	212.00	254.40
1800 x 500mm	892	3044	450W	A, A+, D, E, F, G	89.1278	262.00	314.40
1800 x 600mm	1029	3511	450W	A, A+, D, E, F, G	89.1279	288.00	345.60

Defford Towel Rail - Matt Grey

Size H x W	Watts	BTU	Element Output	Element Type	Code	£ Ex VAT	£ Inc VAT
800 x 500mm	405	1382	150W	A, A+, D, E, F, G	89.1280	118.00	141.60
800 x 600mm	467	1594	150W	A, A+, D, E, F, G	89.1281	131.00	157.20
1200 x 500mm	603	2058	300W	A, A+, D, E, F, G	89.1282	187.00	224.40
1200 x 600mm	695	2372	300W	A, A+, D, E, F, G	89.1283	212.00	254.40
1800 x 500mm	892	3044	450W	A, A+, D, E, F, G	89.1284	262.00	314.40
1800 x 600mm	1029	3511	450W	A, A+, D, E, F, G	89.1285	288.00	345.60

Defford Towel Rail - Chrome

Size H x W	Watts	BTU	Element Output	Element Type	Code	£ Ex VAT	£ Inc VAT
800 x 500mm	250	853	150W	A, A+, D, E, F, G	89.1298	173.00	207.60
800 x 600mm	286	976	150W	A, A+, D, E, F, G	89.1299	195.00	234.00
1200 x 500mm	371	1266	150W	A, A+, D, E, F, G	89.1300	306.00	367.20
1200 x 600mm	424	1447	150W	A, A+, D, E, F, G	89.1301	341.00	409.20
1800 x 500mm	555	1894	300W	A, A+, D, E, F, G	89.1302	439.00	526.80
1800 x 600mm	636	2171	300W	A, A+, D, E, F, G	89.1303	500.00	600.00

Defford Towel Rail - Matt Anthracite

Size H x W	Watts	BTU	Element Output	Element Type	Code	£ Ex VAT	£ Inc VAT
800x500mm	405	1382	150W	A, A+, D, E, F, G	89.1286	118.00	141.60
800x600mm	467	1594	150W	A, A+, D, E, F, G	89.1287	131.00	157.20
1200x500mm	603	2058	300W	A, A+, D, E, F, G	89.1288	187.00	224.40
1200x600mm	695	2372	300W	A, A+, D, E, F, G	89.1289	212.00	254.40
1800x500mm	892	3044	450W	A, A+, D, E, F, G	89.1290	262.00	314.40
1800x600mm	1029	3511	450W	A, A+, D, E, F, G	89.1291	288.00	345.60

Defford Towel Rail - Matt Black

Size H x W	Watts	BTU	Element Output	Element Type	Code	£ Ex VAT	£ Inc VAT
800x500mm	405	1382	150W	A, A+, D, E, F, G	89.1292	118.00	141.60
800x600mm	467	1594	150W	A, A+, D, E, F, G	89.1293	131.00	157.20
1200x500mm	603	2058	300W	A, A+, D, E, F, G	89.1294	187.00	224.40
1200x600mm	695	2372	300W	A, A+, D, E, F, G	89.1295	212.00	254.40
1800x500mm	892	3044	450W	A, A+, D, E, F, G	89.1296	262.00	314.40
1800x600mm	1029	3511	450W	A, A+, D, E, F, G	89.1297	288.00	345.60

D Shape Vent Caps Page 741



TECHNICAL INFORMATION

All measurements in Height by Width. Heat output based on $\Delta T60^{\circ}C$. Radiators that are electric only are restricted to the heat output of the elements. Element size can be increased to full capacity of rail if using element type D, E, F or G. For element types see pages 718-729. For matching valves see pages 731-737. For indirect heating systems only. Tappings are approx. 45mm less than the width of the rail and approx. 80mm off the wall. Price includes radiator and wall fixing sets, valves extra.

Technical Tables & Drawings Page 758-759



Gloss White



Matt Grey



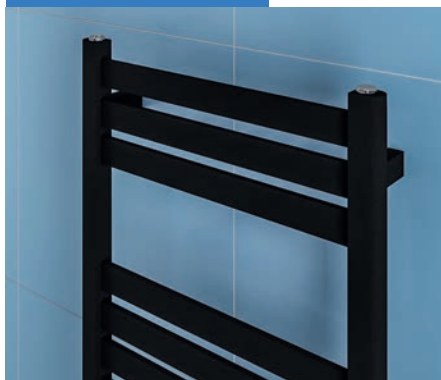
Chrome



Matt Anthracite



Matt Black



State-of-the-Art welding



Designer Range

STAVERTON

Including new colour

Rear fixing metal wall brackets
(only for brushed brass colour)



Pictured 41.0373 Brushed Brass

Brushed Brass colour shown in images are subject to the limitations of the printing process and may appear different.

Warranty

5
Year

Heating



All Electric



Dual-Fuel



Pictured 41.0131 Chrome

Bar Dimensions (mm)

Horizontal Bars 42 x 14mm
Vertical Bars 40 x 30mm

A modern style towel rail with horizontal flat bars, that still allows maximum space for keeping your towels warm.

FEATURES

- 42 x 14mm. horizontal bars
- Tested to BS EN 442 standards
- 5 Year manufacturer's warranty*
- Comes in chrome, brushed brass or white finish
- Can be single or dual fuel, or all electric
- * With conditions

Technical Tables & Drawings

Page 760-761



Staverton - Brushed Brass

New Colour

Size H x W	Watts	BTU	Element Output	Element Type	Code	£ Ex VAT	£ Inc VAT
1200 x 500mm*	523	1784	300W	A, A+, D, E, F, G	41.0373	569.00	682.80
1200 x 600mm*	611	2085	300W	A, A+, D, E, F, G	41.0374	613.00	735.60

*Available February 2023

Staverton - Gloss White

Size H x W	Watts	BTU	Element Output	Element Type	Code	£ Ex VAT	£ Inc VAT
600 x 400mm	276	942	150W	A, A+, D, E, F, G	41.0136	119.00	142.80
600 x 500mm	332	1133	150W	A, A+, D, E, F, G	41.0139	129.00	154.80
600 x 600mm	388	1324	150W	A, A+, D, E, F, G	41.0142	139.00	166.80
1200 x 400mm	552	1883	300W	A, A+, D, E, F, G	41.0137	193.00	231.60
1200 x 500mm	665	2269	300W	A, A+, D, E, F, G	41.0140	206.00	247.20
1200 x 600mm	776	2648	450W	A, A+, D, E, F, G	41.0143	227.00	272.40
1800 x 400mm	829	2829	450W	A, A+, D, E, F, G	41.0138	266.00	319.20
1800 x 500mm	996	3398	600W	A, A+, D, E, F, G	41.0141	290.00	348.00
1800 x 600mm	1164	3972	600W	A, A+, D, E, F, G	41.0144	318.00	381.60

Staverton - Chrome

Size H x W	Watts	BTU	Element Output	Element Type	Code	£ Ex VAT	£ Inc VAT
600 x 400mm	217	740	100W	A, A+, D, E, F, G	41.0127	204.00	244.80
600 x 500mm	261	891	150W	A, A+, D, E, F, G	41.0130	236.00	283.20
600 x 600mm	305	1041	150W	A, A+, D, E, F, G	41.0133	245.00	294.00
1200 x 400mm	435	1484	150W	A, A+, D, E, F, G	41.0128	354.00	424.80
1200 x 500mm	523	1784	300W	A, A+, D, E, F, G	41.0131	392.00	470.40
1200 x 600mm	611	2085	300W	A, A+, D, E, F, G	41.0134	429.00	514.80
1800 x 400mm	652	2225	300W	A, A+, D, E, F, G	41.0129	503.00	603.60
1800 x 500mm	784	2675	450W	A, A+, D, E, F, G	41.0132	557.00	668.40
1800 x 600mm	916	3125	450W	A, A+, D, E, F, G	41.0135	618.00	741.60

TECHNICAL INFORMATION

All measurements in Height by Width. Heat output based on ▲T60°C. Radiators that are electric only are restricted to the heat output of the elements. Element size can be increased to full capacity of rail if using element type D, E, F or G. For element types see pages 718-729. For matching valves see pages 731-737. For indirect heating systems only. Tappings are approx. 45mm less than the width of the rail and approx. 70mm off the wall. Price includes radiator and wall fixing sets, valves extra.

Round Vent Caps

Page 741



Designer Range

MEZZO TONDO



Pictured 41.0248 Chrome

The curves on this rail allow maximum space for the whole family to warm towels easily, without compromising on space in the room due to the slimline design.

Mezzo Tondo - Chrome

Size H x W	Watts	BTU	Element Output	Element Type	Code	£ Ex VAT	£ Inc VAT
1600 x 320mm Chrome	574	1958	N/A	N/A	41.0248	458.00	549.60

FEATURES

- Tested to BS EN 442 standards
 - 5 Year manufacturer's warranty*
 - Can be single or dual fuel, or all electric
- * With conditions

TECHNICAL INFORMATION

All measurements in Height by Width. Heat output based on $\Delta T60^{\circ}\text{C}$. Radiators that are electric only are restricted to the heat output of the elements. Element size can be increased to full capacity of rail if using element type D or E. For element types see pages 718-729. For matching valves see pages 731-737. For indirect heating systems only. Tappings are approx. 286mm and approx. 65mm off the wall. Price includes radiator and wall fixing sets, valves extra.

PESARO



Pictured 41.0328 Chrome

A designer towel rail that allows the hanging of up to six towels at once. This statement piece has a unique design for those who want to make a bold statement.

Pesaro - Chrome

Size H x W	Watts	BTU	Element Output	Element Type	Code	£ Ex VAT	£ Inc VAT
1005 x 550mm	349	1191	150W	A, A+, D, E, F, G	41.0328	455.00	546.00

FEATURES

- Tested to BS EN 442 standards
 - 5 Year manufacturer's warranty*
 - Can be single or dual fuel, or all electric
- * With conditions

TECHNICAL INFORMATION

All measurements in Height by Width. Heat output based on $\Delta T60^{\circ}\text{C}$. Radiators that are electric only are restricted to the heat output of the elements. Element size can be increased to full capacity of rail if using element type D, E, F or G. For element types see pages 718-729. For matching valves see pages 731-737. For indirect heating systems only. Tappings are approx. 80mm and approx. 65mm off the wall. Price includes radiator and wall fixing sets, valves extra.

Round Vent Caps
Page 741



Round Vent Caps
Page 741



Warranty
5
Year

Heating

Technical Tables & Drawings
Page 760-761

Warranty
5
Year

Heating

All Electric

Dual-Fuel

Designer Range



An admired design in the Designer Range, Santero, has even wider horizontal flat bars than Defford or Staverton. Warmth has never been this easy to achieve. Grab your wet towels and use Santero Towel Rail to feel the constant warmth.

FEATURES

- 75 x 15mm. horizontal bars and 40 x 30mm. vertical D profiles
- Rear fixing metal wall brackets
- Tested to BS EN 442 standards
- 4 colours available from stock
- Can be single, dual fuel or all electric
- 5 Year Manufacturer's Warranty*
- * With conditions



Technical Tables & Drawings
Page 760-761



Designer Range

SANTERO

Santero Towel Rail - Gloss White

Size H x W	Watts	BTU	Element Output	Element Type	Code	£ Ex VAT	£ Inc VAT
800 x 500mm	430	1468	150W	A, A+, D, E, F, G	89.1304	229.00	274.80
800 x 600mm	509	1737	150W	A, A+, D, E, F, G	89.1305	269.00	322.80
1200 x 500mm	633	2160	300W	A, A+, D, E, F, G	89.1306	296.00	355.20
1200 x 600mm	749	2556	300W	A, A+, D, E, F, G	89.1307	346.00	415.20
1800 x 500mm	932	3180	450W	A, A+, D, E, F, G	89.1308	410.00	492.00
1800 x 600mm	1104	3767	450W	A, A+, D, E, F, G	89.1309	479.00	574.80

Santero Towel Rail - Matt Anthracite

Size H x W	Watts	BTU	Element Output	Element Type	Code	£ Ex VAT	£ Inc VAT
800 x 500mm	430	1468	150W	A, A+, D, E, F, G	89.1310	229.00	274.80
800 x 600mm	509	1737	150W	A, A+, D, E, F, G	89.1311	269.00	322.80
1200 x 500mm	633	2160	300W	A, A+, D, E, F, G	89.1312	296.00	355.20
1200 x 600mm	749	2556	300W	A, A+, D, E, F, G	89.1313	346.00	415.20
1800 x 500mm	932	3180	450W	A, A+, D, E, F, G	89.1314	410.00	492.00
1800 x 600mm	1104	3767	450W	A, A+, D, E, F, G	89.1315	479.00	574.80

Santero Towel Rail - Matt Black

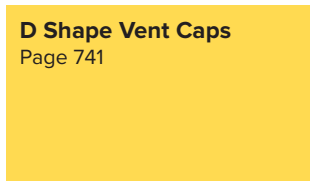
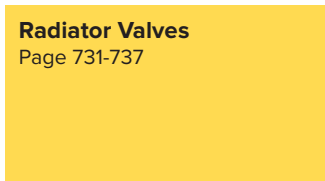
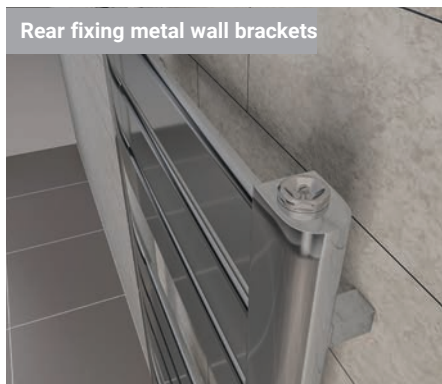
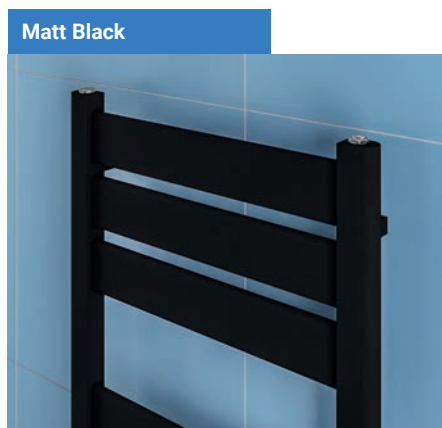
Size H x W	Watts	BTU	Element Output	Element Type	Code	£ Ex VAT	£ Inc VAT
800 x 500mm	430	1468	150W	A, A+, D, E, F, G	89.1316	229.00	274.80
800 x 600mm	509	1737	150W	A, A+, D, E, F, G	89.1317	269.00	322.80
1200 x 500mm	633	2160	300W	A, A+, D, E, F, G	89.1318	296.00	355.20
1200 x 600mm	749	2556	300W	A, A+, D, E, F, G	89.1319	346.00	415.20
1800 x 500mm	932	3180	450W	A, A+, D, E, F, G	89.1320	410.00	492.00
1800 x 600mm	1104	3767	450W	A, A+, D, E, F, G	89.1321	479.00	574.80

Santero Towel Rail - Chrome

Size H x W	Watts	BTU	Element Output	Element Type	Code	£ Ex VAT	£ Inc VAT
800 x 500mm	249	850	150W	A, A+, D, E, F, G	89.1322	308.00	369.60
800 x 600mm	289	987	150W	A, A+, D, E, F, G	89.1323	360.00	432.00
1200 x 500mm	373	1273	150W	A, A+, D, E, F, G	89.1324	373.00	447.60
1200 x 600mm	434	1481	150W	A, A+, D, E, F, G	89.1325	437.00	524.40
1800 x 500mm	551	1881	300W	A, A+, D, E, F, G	89.1326	505.00	606.00
1800 x 600mm	641	2188	300W	A, A+, D, E, F, G	89.1327	592.00	710.40

TECHNICAL INFORMATION

All measurements in Height by Width. Heat output based on $\Delta T60^{\circ}C$. Radiators that are electric only are restricted to the heat output of the elements. Element size can be increased to full capacity of rail if using element type D, E, F or G. For element types see pages 718-729. For matching valves see pages 731-737. For indirect heating systems only. Tappings are approx. 45mm less than the width of the rail and approx. 80mm off the wall. Price includes radiator and wall fixing sets, valves extra.



Designer Range

Including new sizes & new colour

HURLEY

Chrome

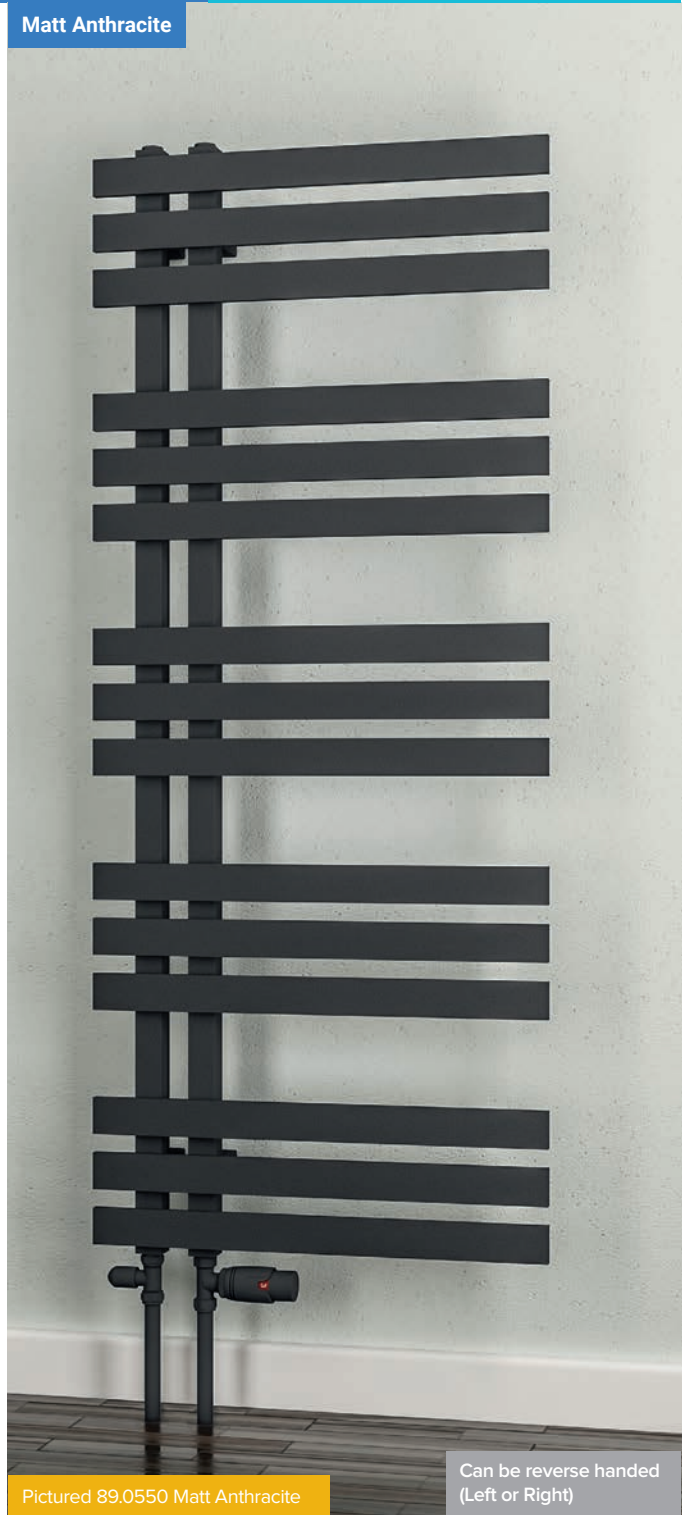


Pictured 89.0568 Chrome

Bar Dimensions (mm)

Horizontal Bars 40 x 10mm
Vertical Bars 30 x 30mm

Matt Anthracite



Pictured 89.0550 Matt Anthracite

Can be reverse handed
(Left or Right)

A modern, versatile towel rail. Available in 6 colours with reversible installation possibility.

FEATURES

- 40 x 10mm. horizontal bars and 30 x 30mm. vertical profiles
 - Rear fixing metal wall brackets
 - Tested to BS EN 442 standards
 - 6 colours available from stock
 - Can be reverse handed (left or right)
 - Can be single, dual fuel or all electric
 - 5 Year Manufacturer's Warranty*
- * With conditions



Warranty

5

Year

Heating

All Electric

Dual-Fuel

Designer Range

Including new sizes & new colour

HURLEY

Hurley Towel Rail - Matt White						New Sizes		
Size H x W	Watts	BTU	Element Output	Element Type	Code	£ Ex VAT	£ Inc VAT	
800 x 500mm	368	1256	150W	A, A+, D, E, F, G	89.0542	245.00	294.00	
800 x 600mm	414	1413	150W	A, A+, D, E, F, G	89.0543	277.00	332.40	
1000 x 500mm	460	1570	150W	A, A+, D, E, F, G	89.1717	300.00	360.00	
1000 x 600mm	517	1765	150W	A, A+, D, E, F, G	89.1718	336.00	403.20	
1200 x 500mm	551	1881	300W	A, A+, D, E, F, G	89.0544	339.00	406.80	
1200 x 600mm	619	2113	300W	A, A+, D, E, F, G	89.0545	379.00	454.80	
1500 x 500mm	684	2334	300W	A, A+, D, E, F, G	89.1729	393.00	471.60	
1500 x 600mm	768	2621	300W	A, A+, D, E, F, G	89.1730	439.00	526.80	
1800 x 500mm	813	2774	450W	A, A+, D, E, F, G	89.0546	431.00	517.20	
1800 x 600mm	913	3116	450W	A, A+, D, E, F, G	89.0547	482.00	578.40	

Hurley Towel Rail - Matt Anthracite						New Sizes		
Size H x W	Watts	BTU	Element Output	Element Type	Code	£ Ex VAT	£ Inc VAT	
800x500mm	368	1256	150W	A, A+, D, E, F, G	89.0548	245.00	294.00	
800x600mm	414	1413	150W	A, A+, D, E, F, G	89.0549	277.00	332.40	
1000 x 500mm	460	1570	150W	A, A+, D, E, F, G	89.1723	300.00	360.00	
1000 x 600mm	517	1765	150W	A, A+, D, E, F, G	89.1724	336.00	403.20	
1200x500mm	551	1881	300W	A, A+, D, E, F, G	89.0550	339.00	406.80	
1200x600mm	619	2113	300W	A, A+, D, E, F, G	89.0551	379.00	454.80	
1500 x 500mm	684	2334	300W	A, A+, D, E, F, G	89.1735	393.00	471.60	
1500 x 600mm	768	2621	300W	A, A+, D, E, F, G	89.1736	439.00	526.80	
1800x500mm	813	2774	450W	A, A+, D, E, F, G	89.0552	431.00	517.20	
1800x600mm	913	3116	450W	A, A+, D, E, F, G	89.0553	482.00	578.40	

Hurley Towel Rail - Matt Grey						New Sizes		
Size H x W	Watts	BTU	Element Output	Element Type	Code	£ Ex VAT	£ Inc VAT	
800 x 500mm	368	1256	150W	A, A+, D, E, F, G	89.0554	245.00	294.00	
800 x 600mm	414	1413	150W	A, A+, D, E, F, G	89.0555	277.00	332.40	
1000 x 500mm	460	1570	150W	A, A+, D, E, F, G	89.1719	300.00	360.00	
1000 x 600mm	517	1765	150W	A, A+, D, E, F, G	89.1720	336.00	403.20	
1200 x 500mm	551	1881	300W	A, A+, D, E, F, G	89.0556	339.00	406.80	
1200 x 600mm	619	2113	300W	A, A+, D, E, F, G	89.0557	379.00	454.80	
1500 x 500mm	684	2334	300W	A, A+, D, E, F, G	89.1731	393.00	471.60	
1500 x 600mm	768	2621	300W	A, A+, D, E, F, G	89.1732	439.00	526.80	
1800 x 500mm	813	2774	450W	A, A+, D, E, F, G	89.0558	431.00	517.20	
1800 x 600mm	913	3116	450W	A, A+, D, E, F, G	89.0559	482.00	578.40	

Hurley Towel Rail - Matt Cappuccino						New Sizes		
Size H x W	Watts	BTU	Element Output	Element Type	Code	£ Ex VAT	£ Inc VAT	
800x500mm	368	1256	150W	A, A+, D, E, F, G	89.0560	270.00	324.00	
800x600mm	414	1413	150W	A, A+, D, E, F, G	89.0561	301.00	361.20	
1000 x 500mm	460	1570	150W	A, A+, D, E, F, G	89.1721	300.00	360.00	
1000 x 600mm	517	1765	150W	A, A+, D, E, F, G	89.1722	336.00	403.20	
1200x500mm	551	1881	300W	A, A+, D, E, F, G	89.0562	370.00	444.00	
1200x600mm	619	2113	300W	A, A+, D, E, F, G	89.0563	415.00	498.00	
1500 x 500mm	684	2334	300W	A, A+, D, E, F, G	89.1733	393.00	471.60	
1500 x 600mm	768	2621	300W	A, A+, D, E, F, G	89.1734	439.00	526.80	
1800x500mm	813	2774	450W	A, A+, D, E, F, G	89.0564	472.00	566.40	
1800x600mm	913	3116	450W	A, A+, D, E, F, G	89.0565	528.00	633.60	

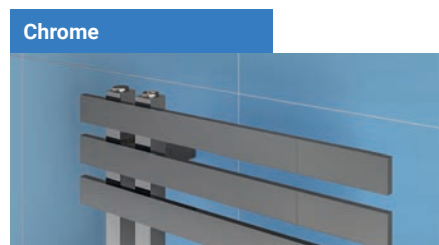
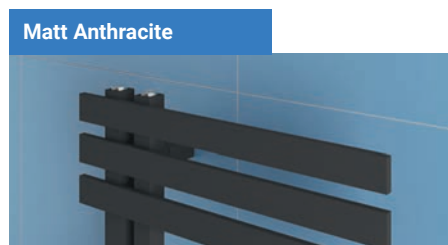
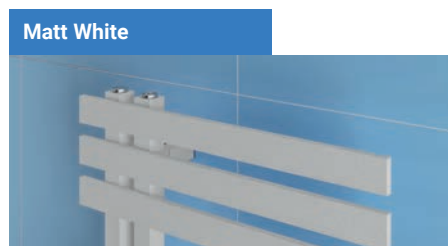
Hurley Towel Rail - Matt Black						New Colour		
Size H x W	Watts	BTU	Element Output	Element Type	Code	£ Ex VAT	£ Inc VAT	
800 x 500mm	368	1256	150W	A, A+, D, E, F, G	89.1711	245.00	294.00	
800 x 600mm	414	1413	150W	A, A+, D, E, F, G	89.1712	277.00	332.40	
1000 x 500mm	460	1570	150W	A, A+, D, E, F, G	89.1725	300.00	360.00	
1000 x 600mm	517	1765	150W	A, A+, D, E, F, G	89.1726	336.00	403.20	
1200 x 500mm	551	1881	300W	A, A+, D, E, F, G	89.1713	339.00	406.80	
1200 x 600mm	619	2113	300W	A, A+, D, E, F, G	89.1714	379.00	454.80	
1500 x 500mm	684	2334	300W	A, A+, D, E, F, G	89.1737	393.00	471.60	
1500 x 600mm	768	2621	300W	A, A+, D, E, F, G	89.1738	439.00	526.80	
1800 x 500mm	813	2774	450W	A, A+, D, E, F, G	89.1715	431.00	517.20	
1800 x 600mm	913	3116	450W	A, A+, D, E, F, G	89.1716	482.00	578.40	

Hurley Towel Rail - Chrome						New Sizes		
Size H x W	Watts	BTU	Element Output	Element Type	Code	£ Ex VAT	£ Inc VAT	
800 x 500mm	239	816	150W	A, A+, D, E, F, G	89.0566	311.00	373.20	
800 x 600mm	268	915	150W	A, A+, D, E, F, G	89.0567	349.00	418.80	
1000 x 500mm	298	1017	100W	A, A+, D, E, F, G	89.1727	376.00	451.20	
1000 x 600mm	334	1140	100W	A, A+, D, E, F, G	89.1728	421.00	505.20	
1200 x 500mm	356	1215	150W	A, A+, D, E, F, G	89.0568	431.00	517.20	
1200 x 600mm	399	1362	150W	A, A+, D, E, F, G	89.0569	482.00	578.40	
1500 x 500mm	441	1505	150W	A, A+, D, E, F, G	89.1739	521.00	625.20	
1500 x 600mm	494	1686	150W	A, A+, D, E, F, G	89.1740	582.00	698.40	
1800 x 500mm	522	1782	300W	A, A+, D, E, F, G	89.0570	596.00	715.20	
1800 x 600mm	585	1997	300W	A, A+, D, E, F, G	89.0571	665.00	798.00	

TECHNICAL INFORMATION

All measurements in Height by Width. Heat output based on $\Delta T 60^{\circ}\text{C}$. Radiators that are electric only are restricted to the heat output of the elements. Element size can be increased to full capacity of rail if using element type D, E, F or G. For element types see pages 718-729. For matching valves see pages 731-737. For indirect heating systems only. Tappings are approx. 60mm and approx. 79mm off the wall. Price includes radiator and wall fixing sets, valves extra.

Technical Tables & Drawings
Page 762-763



Designer Range

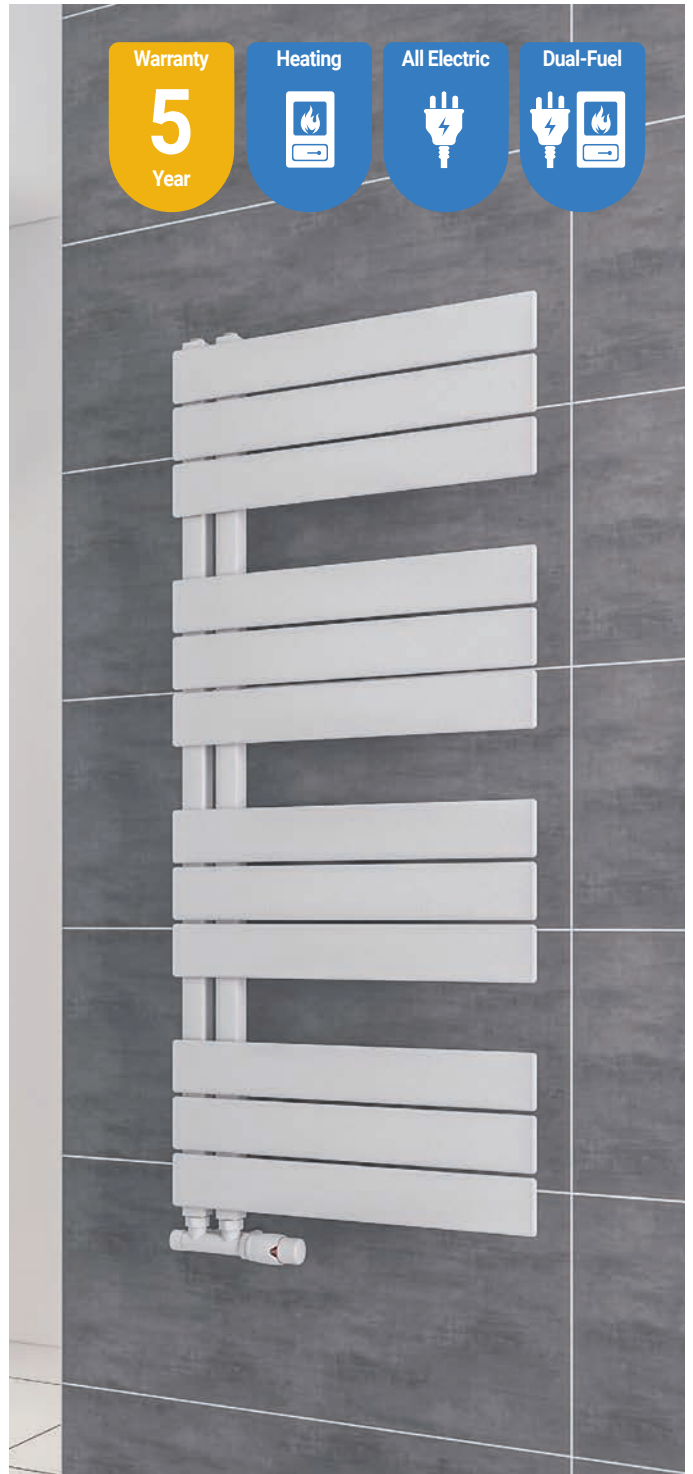
HELMSLEY



Pictured 89.0637 Matt Anthracite

Bar Dimensions (mm)

Horizontal Bars 70 x 11mm
Vertical Bars 30 x 30mm



Pictured 89.0616 Matt White

Can be reverse handed
(Left or Right)

One of the most popular models in the Designer Range. Available in a variety of colours to suit any bathroom. The generous surface area of the horizontal bars will let you experience the warmth. Helmsley is also reversible whilst fitting on the wall.

FEATURES

- 72 x 11mm. horizontal bars and 30 x 30mm. vertical profiles
 - Rear fixing metal wall brackets
 - Tested to BS EN 442 standards
 - 4 colours available from stock
 - Can be reverse handed (left or right)
 - Can be single, dual fuel or all electric
 - State-of-the-Art welding technology
 - 5 Year Manufacturer's Warranty*
- * With conditions



SWATCHES AVAILABLE

Round Vent Caps

Page 741



Designer Range

HELMSLEY

Helmsley Towel Rail - Matt White							
Size H x W	Watts	BTU	Element Output	Element Type	Code	£ Ex VAT	£ Inc VAT
800 x 500mm	437	1492	300W	A, A+, D, E, F, G	89.0614	270.00	324.00
800 x 600mm	506	1727	300W	A, A+, D, E, F, G	89.0615	299.00	452.40
1150 x 500mm	607	2072	300W	A, A+, D, E, F, G	89.0616	373.00	447.60
1150 x 600mm	703	2399	450W	A, A+, D, E, F, G	89.0617	415.00	498.00
1400 x 500mm	736	2512	450W	A, A+, D, E, F, G	89.0618	405.00	486.00
1400 x 600mm	853	2911	600W	A, A+, D, E, F, G	89.0619	451.00	541.20
1640 x 500mm	869	2966	600W	A, A+, D, E, F, G	89.0620	438.00	525.60
1640 x 600mm	1007	3436	600W	A, A+, D, E, F, G	89.0621	491.00	589.20

Helmsley Towel Rail - Matt Grey							
Size H x W	Watts	BTU	Element Output	Element Type	Code	£ Ex VAT	£ Inc VAT
800 x 500mm	437	1492	300W	A, A+, D, E, F, G	89.0622	270.00	324.00
800 x 600mm	506	1727	300W	A, A+, D, E, F, G	89.0623	299.00	358.80
1150 x 500mm	607	2072	300W	A, A+, D, E, F, G	89.0624	373.00	447.60
1150 x 600mm	703	2399	450W	A, A+, D, E, F, G	89.0625	415.00	498.00
1400 x 500mm	736	2512	450W	A, A+, D, E, F, G	89.0626	405.00	486.00
1400 x 600mm	853	2911	600W	A, A+, D, E, F, G	89.0627	451.00	541.20
1640 x 500mm	869	2966	600W	A, A+, D, E, F, G	89.0628	438.00	525.60
1640 x 600mm	1007	3436	600W	A, A+, D, E, F, G	89.0629	491.00	589.20

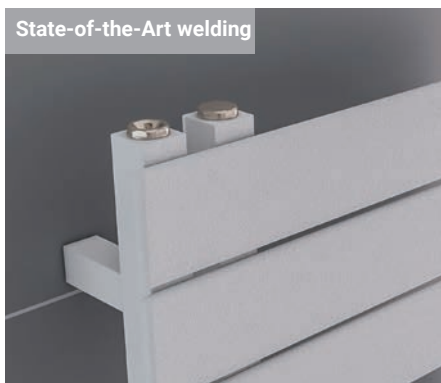
Helmsley Towel Rail - Matt Anthracite							
Size H x W	Watts	BTU	Element Output	Element Type	Code	£ Ex VAT	£ Inc VAT
800 x 500mm	437	1492	300W	A, A+, D, E, F, G	89.0630	270.00	324.00
800 x 600mm	506	1727	300W	A, A+, D, E, F, G	89.0631	299.00	358.80
1150 x 500mm	607	2072	300W	A, A+, D, E, F, G	89.0632	373.00	447.60
1150 x 600mm	703	2399	450W	A, A+, D, E, F, G	89.0633	415.00	498.00
1400 x 500mm	736	2512	450W	A, A+, D, E, F, G	89.0634	405.00	486.00
1400 x 600mm	853	2911	600W	A, A+, D, E, F, G	89.0635	451.00	541.20
1640 x 500mm	869	2966	600W	A, A+, D, E, F, G	89.0636	438.00	525.60
1640 x 600mm	1007	3436	600W	A, A+, D, E, F, G	89.0637	491.00	589.20

Helmsley Towel Rail - Matt Black							
Size H x W	Watts	BTU	Element Output	Element Type	Code	£ Ex VAT	£ Inc VAT
800 x 500mm	437	1492	300W	A, A+, D, E, F, G	89.0638	270.00	324.00
800 x 600mm	506	1727	300W	A, A+, D, E, F, G	89.0639	299.00	358.80
1150 x 500mm	607	2072	300W	A, A+, D, E, F, G	89.0640	373.00	447.60
1150 x 600mm	703	2399	450W	A, A+, D, E, F, G	89.0641	415.00	498.00
1400 x 500mm	736	2512	450W	A, A+, D, E, F, G	89.0642	405.00	486.00
1400 x 600mm	853	2911	600W	A, A+, D, E, F, G	89.0643	451.00	541.20
1640 x 500mm	869	2966	600W	A, A+, D, E, F, G	89.0644	438.00	525.60
1640 x 600mm	1007	3436	600W	A, A+, D, E, F, G	89.0645	491.00	589.20

TECHNICAL INFORMATION

All measurements in Height by Width. Heat output based on $\Delta T60^{\circ}\text{C}$. Radiators that are electric only are restricted to the heat output of the elements. Element size can be increased to full capacity of rail if using element type D, E, F or G. For element types see pages 718-729. For matching valves see pages 731-737. For indirect heating systems only. Tappings are approx. 50mm and approx. 79mm off the wall. Price includes radiator and wall fixing sets, valves extra.

Technical Tables & Drawings
Page 762-763



Designer Range

PLATANI

Warranty

5
Year

Heating



All Electric



Dual-Fuel



Pictured 89.1355 Chrome

Bar Dimensions (mm)

Horizontal Bars 40 x 20mm
Vertical Bars 30 x 30mm



Pictured 89.1344 Matt Anthracite

Can be reverse handed
(Left or Right)

A stunning reversible style towel rail with evenly spaced horizontal bars. Available in 5 colours from stock including high quality chrome finish.

FEATURES

- 40 x 20mm. horizontal bars and 30 x 30mm. vertical profiles
- Rear fixing metal wall brackets
- Tested to BS EN 442 standards
- 5 colours available from stock
- Can be reverse handed (left or right)
- Can be single, dual fuel or all electric
- State-of-the-Art welding technology
- 5 Year Manufacturer's Warranty*
- * With conditions



SWATCHES
AVAILABLE

Round Vent Caps

Page 741



Designer Range

PLATANI

Platani Towel Rail - Matt White

Size H x W	Watts	BTU	Element Output	Element Type	Code	£ Ex VAT	£ Inc VAT
800 x 500mm	339	1157	150W	A, A+, D, E, F, G	89.1328	197.00	236.40
800 x 600mm	389	1328	150W	A, A+, D, E, F, G	89.1329	220.00	264.00
1150 x 500mm	467	1594	150W	A, A+, D, E, F, G	89.1330	271.00	325.20
1150 x 600mm	535	1826	150W	A, A+, D, E, F, G	89.1331	305.00	366.00
1800 x 500mm	703	2399	300W	A, A+, D, E, F, G	89.1332	343.00	411.60
1800 x 600mm	806	2751	300W	A, A+, D, E, F, G	89.1333	384.00	460.80

Platani Towel Rail - Matt Grey

Size H x W	Watts	BTU	Element Output	Element Type	Code	£ Ex VAT	£ Inc VAT
800 x 500mm	339	1157	150W	A, A+, D, E, F, G	89.1334	197.00	236.40
800 x 600mm	389	1328	150W	A, A+, D, E, F, G	89.1335	220.00	264.00
1150 x 500mm	467	1594	150W	A, A+, D, E, F, G	89.1336	271.00	325.20
1150 x 600mm	535	1826	150W	A, A+, D, E, F, G	89.1337	305.00	366.00
1800 x 500mm	703	2399	300W	A, A+, D, E, F, G	89.1338	343.00	411.60
1800 x 600mm	806	2751	300W	A, A+, D, E, F, G	89.1339	384.00	460.80

Platani Towel Rail - Chrome

Size H x W	Watts	BTU	Element Output	Element Type	Code	£ Ex VAT	£ Inc VAT
800 x 500mm	216	737	100W	A, A+, D, E, F, G	89.1352	251.00	301.20
800 x 600mm	247	843	100W	A, A+, D, E, F, G	89.1353	282.00	338.40
1150 x 500mm	299	1021	150W	A, A+, D, E, F, G	89.1354	346.00	415.20
1150 x 600mm	342	1167	150W	A, A+, D, E, F, G	89.1355	389.00	466.80
1800 x 500mm	455	1553	150W	A, A+, D, E, F, G	89.1356	482.00	578.40
1800 x 600mm	520	1775	150W	A, A+, D, E, F, G	89.1357	539.00	646.80

Platani Towel Rail - Matt Anthracite

Size H x W	Watts	BTU	Element Output	Element Type	Code	£ Ex VAT	£ Inc VAT
800 x 500mm	339	1157	150W	A, A+, D, E, F, G	89.1340	197.00	236.40
800 x 600mm	389	1328	150W	A, A+, D, E, F, G	89.1341	220.00	264.00
1150 x 500mm	467	1594	150W	A, A+, D, E, F, G	89.1342	271.00	325.20
1150 x 600mm	535	1826	150W	A, A+, D, E, F, G	89.1343	305.00	366.00
1800 x 500mm	703	2399	300W	A, A+, D, E, F, G	89.1344	343.00	411.60
1800 x 600mm	806	2751	300W	A, A+, D, E, F, G	89.1345	384.00	460.80

Platani Towel Rail - Matt Black

Size H x W	Watts	BTU	Element Output	Element Type	Code	£ Ex VAT	£ Inc VAT
800 x 500mm	339	1157	150W	A, A+, D, E, F, G	89.1346	197.00	236.40
800 x 600mm	389	1328	150W	A, A+, D, E, F, G	89.1347	220.00	264.00
1150 x 500mm	467	1594	150W	A, A+, D, E, F, G	89.1348	271.00	325.20
1150 x 600mm	535	1826	150W	A, A+, D, E, F, G	89.1349	305.00	366.00
1800 x 500mm	703	2399	300W	A, A+, D, E, F, G	89.1350	343.00	411.60
1800 x 600mm	806	2751	300W	A, A+, D, E, F, G	89.1351	384.00	460.80

Radiator Valves

Page 731-737



TECHNICAL INFORMATION

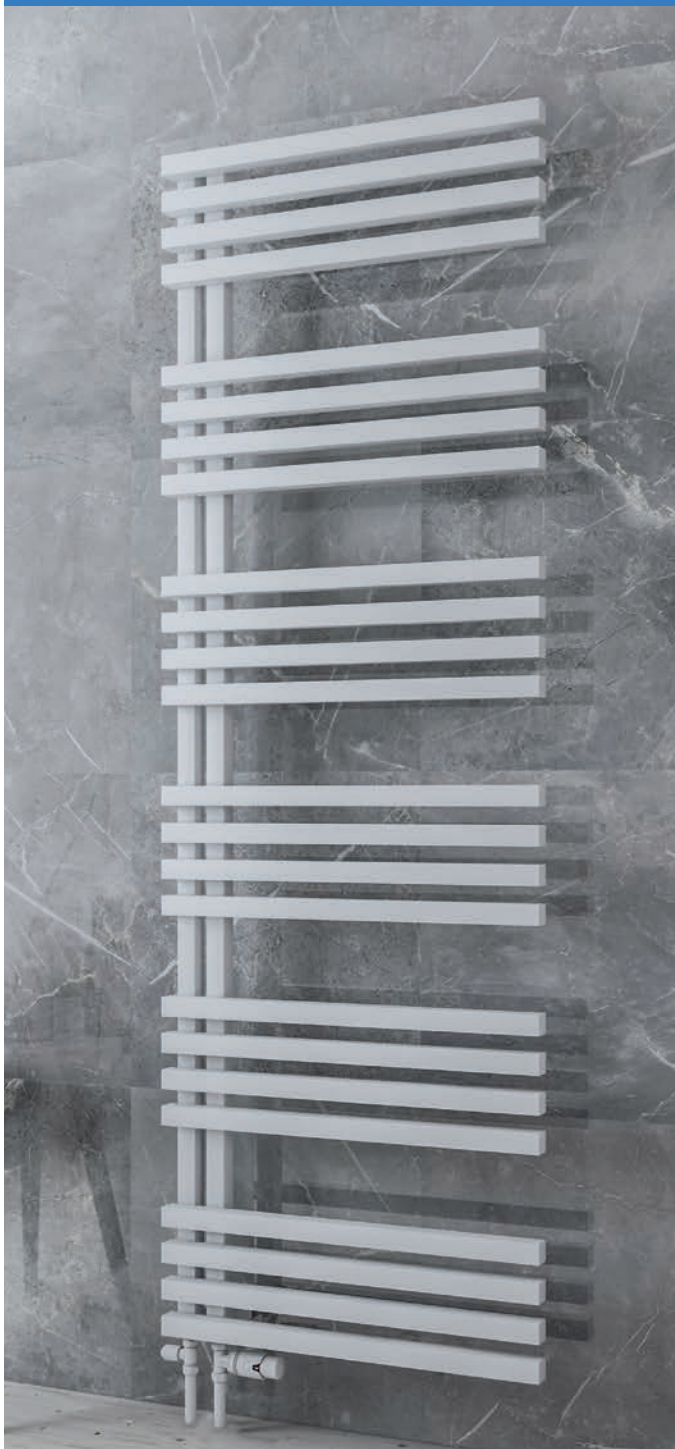
All measurements in Height by Width. Heat output based on $\Delta T60^{\circ}C$. Radiators that are electric only are restricted to the heat output of the elements. Element size can be increased to full capacity of rail if using element type D, E, F or G. For element types see pages 718-729. For matching valves see pages 731-737. For indirect heating systems only. Tappings are approx. 50mm and approx. 80mm off the wall. Projection from wall is 115mm. Price includes radiator and wall fixing sets, valves extra.

Technical Tables & Drawings
Page 762-763



Designer Range

REINBACH



Pictured 89.1363 Matt White

Bar Dimensions (mm)

Horizontal Bars 30 x 30mm
Vertical Bars 30 x 30mm



Pictured 89.1384 Matt Black

Can be reverse handed
(Left or Right)

Warranty 5 Year	Heating 	All Electric 	Dual-Fuel
-------------------------------------	--------------------	-------------------------	----------------------

Another reversible style design, Reinbach reaches the top levels of design with bulky horizontal bars that are capable of drying your largest towels.

FEATURES

- 30 x 30mm. horizontal bars and 30 x 30mm. vertical profiles
 - Rear fixing metal wall brackets
 - Tested to BS EN 442 standards
 - 5 colours available from stock
 - Can be reverse handed (left or right)
 - Can be single, dual fuel or all electric
 - State-of-the-Art welding technology
 - 5 Year Manufacturer's Warranty*
- * With conditions



SWATCHES AVAILABLE

Round Vent Caps Page 741



Designer Range

REINBACH

Reinbach Towel Rail - Matt White

Size H x W	Watts	BTU	Element Output	Element Type	Code	£ Ex VAT	£ Inc VAT
800 x 500mm	466	1590	150W	A, A+, D, E, F, G	89.1358	234.00	280.80
800 x 600mm	556	1898	300W	A, A+, D, E, F, G	89.1359	260.00	312.00
1200 x 500mm	671	2290	300W	A, A+, D, E, F, G	89.1360	319.00	382.80
1200 x 600mm	802	2737	300W	A, A+, D, E, F, G	89.1361	359.00	430.80
1800 x 500mm	976	3331	450W	A, A+, D, E, F, G	89.1362	410.00	492.00
1800 x 600mm	1166	3979	600W	A, A+, D, E, F, G	89.1363	457.00	548.40

Reinbach Towel Rail - Matt Cappuccino

Size H x W	Watts	BTU	Element Output	Element Type	Code	£ Ex VAT	£ Inc VAT
800 x 500mm	466	1590	150W	A, A+, D, E, F, G	89.1364	234.00	280.80
800 x 600mm	556	1898	300W	A, A+, D, E, F, G	89.1365	260.00	312.00
1200 x 500mm	671	2290	300W	A, A+, D, E, F, G	89.1366	319.00	382.80
1200 x 600mm	802	2737	300W	A, A+, D, E, F, G	89.1367	359.00	430.80
1800 x 500mm	976	3331	450W	A, A+, D, E, F, G	89.1368	410.00	492.00
1800 x 600mm	1166	3979	600W	A, A+, D, E, F, G	89.1369	457.00	548.40

Reinbach Towel Rail - Matt Black

Size H x W	Watts	BTU	Element Output	Element Type	Code	£ Ex VAT	£ Inc VAT
800 x 500mm	466	1590	150W	A, A+, D, E, F, G	89.1382	234.00	280.80
800 x 600mm	556	1898	300W	A, A+, D, E, F, G	89.1383	260.00	312.00
1200 x 500mm	671	2290	300W	A, A+, D, E, F, G	89.1384	319.00	382.80
1200 x 600mm	802	2737	300W	A, A+, D, E, F, G	89.1385	359.00	430.80
1800 x 500mm	976	3331	450W	A, A+, D, E, F, G	89.1386	410.00	492.00
1800 x 600mm	1166	3979	600W	A, A+, D, E, F, G	89.1387	457.00	548.40

Reinbach Towel Rail - Matt Grey

Size H x W	Watts	BTU	Element Output	Element Type	Code	£ Ex VAT	£ Inc VAT
800 x 500mm	466	1590	150W	A, A+, D, E, F, G	89.1370	234.00	280.80
800 x 600mm	556	1898	300W	A, A+, D, E, F, G	89.1371	260.00	312.00
1200 x 500mm	671	2290	300W	A, A+, D, E, F, G	89.1372	319.00	382.80
1200 x 600mm	802	2737	300W	A, A+, D, E, F, G	89.1373	359.00	430.80
1800 x 500mm	976	3331	450W	A, A+, D, E, F, G	89.1374	410.00	492.00
1800 x 600mm	1166	3979	600W	A, A+, D, E, F, G	89.1375	457.00	548.40

Reinbach Towel Rail - Matt Anthracite

Size H x W	Watts	BTU	Element Output	Element Type	Code	£ Ex VAT	£ Inc VAT
800 x 500mm	466	1590	150W	A, A+, D, E, F, G	89.1376	234.00	280.80
800 x 600mm	556	1898	300W	A, A+, D, E, F, G	89.1377	260.00	312.00
1200 x 500mm	671	2290	300W	A, A+, D, E, F, G	89.1378	319.00	382.80
1200 x 600mm	802	2737	300W	A, A+, D, E, F, G	89.1379	359.00	430.80
1800 x 500mm	976	3331	450W	A, A+, D, E, F, G	89.1380	410.00	492.00
1800 x 600mm	1166	3979	600W	A, A+, D, E, F, G	89.1381	457.00	548.40

Radiator Valves

Page 731-737

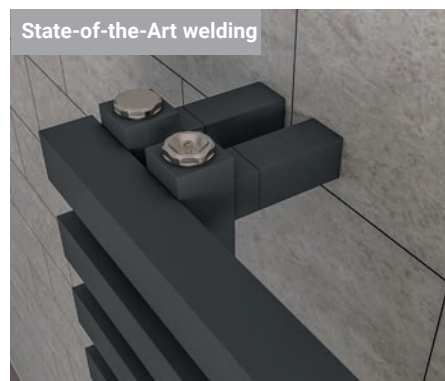
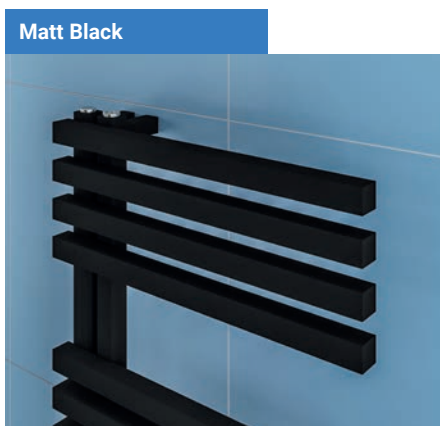


TECHNICAL INFORMATION

All measurements in Height by Width. Heat output based on $\Delta T60^{\circ}C$. Radiators that are electric only are restricted to the heat output of the elements. Element size can be increased to full capacity of rail if using element type D, E, F or G. For element types see pages 718-729. For matching valves see pages 731-737. For indirect heating systems only. Tappings are approx. 50mm and approx. 80mm off the wall. Projection from wall is 125mm. Price includes radiator and wall fixing sets, valves extra.

Technical Tables & Drawings

Page 762-763



Designer Range

MARLOW

Warranty
5
Year

Diameter (Ø)
42
MM Bars

Heating




Pictured 89.0526 Chrome



Pictured 89.0516 Matt Grey

Rear fixing metal wall brackets

State-of-the-Art welding meets large vertical and horizontal tubes in this model. Available in a variety of colours to suit any bathroom. The generous spacing between the horizontal tubes allows for maximum towel drying.

FEATURES

- 42mm diameter horizontal bars
 - 42mm diameter vertical profiles
 - Rear fixing metal wall brackets
 - Tested to BS EN 442 standards
 - 5 colours available from stock
 - State-of-the-Art welding technology
 - 5 Year Manufacturer's Warranty*
- * With conditions



Round Vent Caps

Page 741



Designer Range

MARLOW

Marlow Towel Rail - Matt White

Size H x W	Watts	BTU	Element Output	Element Type	Code	£ Ex VAT	£ Inc VAT
850 x 500mm	399	1362	N/A	N/A	89.0500	354.00	424.80
850 x 600mm	452	1543	N/A	N/A	89.0501	377.00	452.40
1150 x 500mm	534	1823	N/A	N/A	89.0502	437.00	524.40
1150 x 600mm	606	2068	N/A	N/A	89.0503	462.00	554.40
1750 x 500mm	804	2744	N/A	N/A	89.0504	578.00	693.60
1750 x 600mm	912	3112	N/A	N/A	89.0505	612.00	734.40

Marlow Towel Rail - Matt Grey

Size H x W	Watts	BTU	Element Output	Element Type	Code	£ Ex VAT	£ Inc VAT
850 x 500mm	399	1362	N/A	N/A	89.0512	354.00	424.80
850 x 600mm	452	1543	N/A	N/A	89.0513	377.00	452.40
1150 x 500mm	534	1823	N/A	N/A	89.0514	437.00	524.40
1150 x 600mm	606	2068	N/A	N/A	89.0515	462.00	554.40
1750 x 500mm	804	2744	N/A	N/A	89.0516	578.00	693.60
1750 x 600mm	912	3112	N/A	N/A	89.0517	612.00	734.40

Marlow Towel Rail - Chrome

Size H x W	Watts	BTU	Element Output	Element Type	Code	£ Ex VAT	£ Inc VAT
850 x 500mm	257	877	N/A	N/A	89.0524	491.00	589.20
850 x 600mm	293	1000	N/A	N/A	89.0525	520.00	624.00
1150 x 500mm	344	1174	N/A	N/A	89.0526	605.00	726.00
1150 x 600mm	392	1338	N/A	N/A	89.0527	642.00	770.40
1750 x 500mm	520	1775	N/A	N/A	89.0528	802.00	962.40
1750 x 600mm	594	2027	N/A	N/A	89.0529	850.00	1020.00

Marlow Towel Rail - Matt Anthracite

Size H x W	Watts	BTU	Element Output	Element Type	Code	£ Ex VAT	£ Inc VAT
850 x 500mm	399	1362	N/A	N/A	89.0506	354.00	424.80
850 x 600mm	452	1543	N/A	N/A	89.0507	377.00	452.40
1150 x 500mm	534	1823	N/A	N/A	89.0508	437.00	524.40
1150 x 600mm	606	2068	N/A	N/A	89.0509	462.00	554.40
1750 x 500mm	804	2744	N/A	N/A	89.0510	578.00	693.60
1750 x 600mm	912	3112	N/A	N/A	89.0511	612.00	734.40

Marlow Towel Rail - Matt Cappuccino

Size H x W	Watts	BTU	Element Output	Element Type	Code	£ Ex VAT	£ Inc VAT
850 x 500mm	399	1362	N/A	N/A	89.0518	389.00	466.80
850 x 600mm	452	1543	N/A	N/A	89.0519	413.00	495.60
1150 x 500mm	534	1823	N/A	N/A	89.0520	481.00	577.20
1150 x 600mm	606	2068	N/A	N/A	89.0521	508.00	609.60
1750 x 500mm	804	2744	N/A	N/A	89.0522	637.00	764.40
1750 x 600mm	912	3112	N/A	N/A	89.0523	676.00	811.20

Radiator Valves

Page 731-737



TECHNICAL INFORMATION

All measurements in Height by Width. Heat output based on $\Delta T60^{\circ}\text{C}$. Not suitable for elements. For matching valves see pages 731-737. For indirect heating systems only. Tappings are approx. 82mm less than the width of the rail and approx. 85mm off the wall. Price includes radiator and wall fixing sets, valves extra.

Technical Tables & Drawings

Page 764-765



Designer Range

MARLOW E-STYLE

Warranty

5

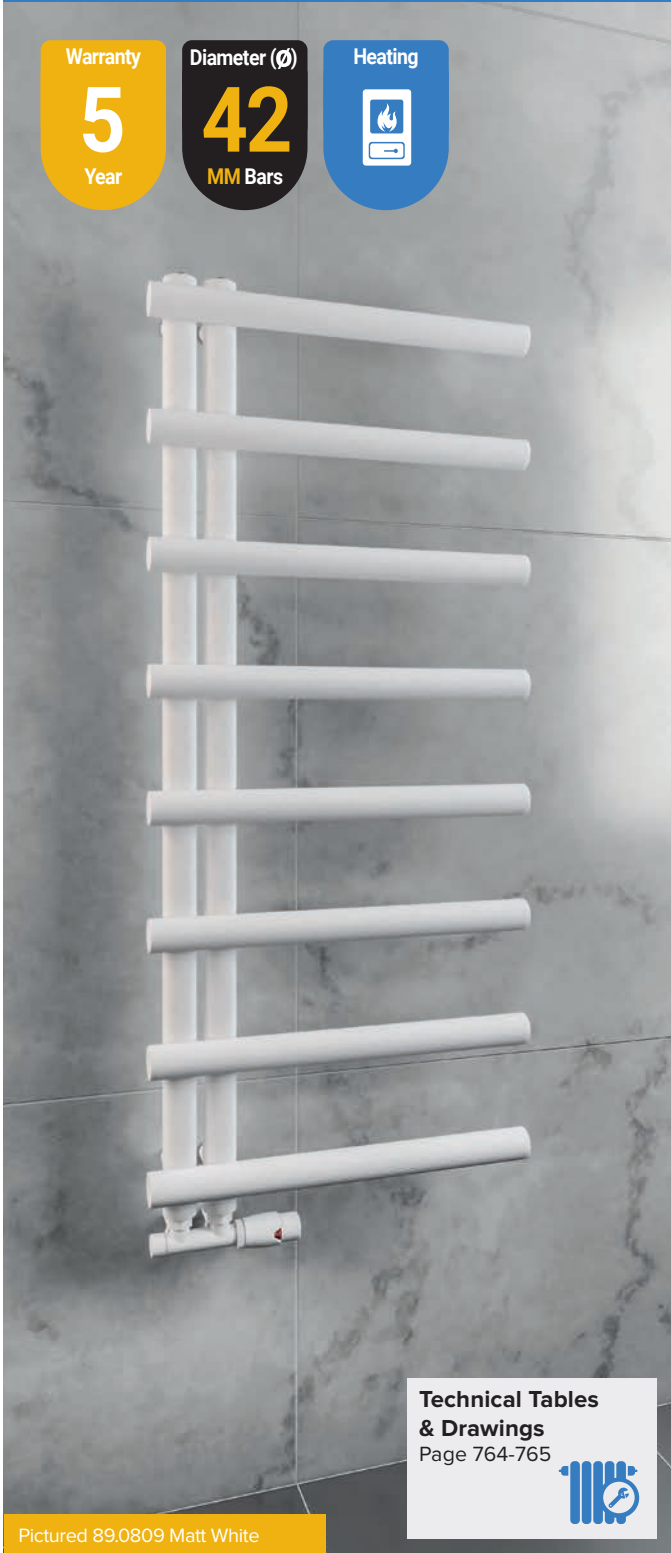
Year

Diameter (Ø)

42

MM Bars

Heating



Pictured 89.0809 Matt White

**Technical Tables
& Drawings**
Page 764-765



Pictured 89.0835 Chrome

Can be reverse handed
(Left or Right)

State-of-the-Art welding meets large vertical and horizontal tubes in this model. Available in a variety of colours to suit any bathroom. The generous spacing between the horizontal tubes allows for maximum towel drying.

FEATURES

- 42mm diameter horizontal bars
 - 42mm diameter vertical profiles
 - Rear fixing metal wall brackets
 - Tested to BS EN 442 standards
 - 5 colours available from stock
 - Can be reverse handed (left or right)
 - State-of-the-Art welding technology
 - 5 Year Manufacturer's Warranty*
- * With conditions



**SWATCHES
AVAILABLE**

Round Vent Caps

Page 741



Designer Range

MARLOW E-STYLE

Marlow E-Style Towel Rail - Matt White

Size H x W	Watts	BTU	Element Output	Element Type	Code	£ Ex VAT	£ Inc VAT
850 x 500mm	371	1266	N/A	N/A	89.0807	258.00	309.60
850 x 600mm	422	1440	N/A	N/A	89.0808	289.00	346.80
1150 x 500mm	497	1696	N/A	N/A	89.0809	355.00	426.00
1150 x 600mm	566	1932	N/A	N/A	89.0810	396.00	475.20
1750 x 500mm	756	2580	N/A	N/A	89.0811	453.00	543.60
1750 x 600mm	861	2938	N/A	N/A	89.0812	505.00	606.00

Marlow E-Style Towel Rail - Matt Grey

Size H x W	Watts	BTU	Element Output	Element Type	Code	£ Ex VAT	£ Inc VAT
850 x 500mm	371	1266	N/A	N/A	89.0819	258.00	309.60
850 x 600mm	422	1440	N/A	N/A	89.0820	289.00	346.80
1150 x 500mm	497	1696	N/A	N/A	89.0821	355.00	426.00
1150 x 600mm	566	1932	N/A	N/A	89.0822	396.00	475.20
1750 x 500mm	756	2580	N/A	N/A	89.0823	453.00	543.60
1750 x 600mm	861	2938	N/A	N/A	89.0824	505.00	606.00

Marlow E-Style Towel Rail - Chrome

Size H x W	Watts	BTU	Element Output	Element Type	Code	£ Ex VAT	£ Inc VAT
850 x 500mm	242	826	N/A	N/A	89.0831	328.00	393.60
850 x 600mm	274	935	N/A	N/A	89.0832	367.00	440.40
1150 x 500mm	325	1109	N/A	N/A	89.0833	453.00	543.60
1150 x 600mm	368	1256	N/A	N/A	89.0834	505.00	606.00
1750 x 500mm	491	1676	N/A	N/A	89.0835	627.00	752.40
1750 x 600mm	555	1894	N/A	N/A	89.0836	703.00	843.60

Marlow E-Style Towel Rail - Matt Anthracite

Size H x W	Watts	BTU	Element Output	Element Type	Code	£ Ex VAT	£ Inc VAT
850 x 500mm	371	1266	N/A	N/A	89.0813	258.00	309.60
850 x 600mm	422	1440	N/A	N/A	89.0814	289.00	346.80
1150 x 500mm	497	1696	N/A	N/A	89.0815	355.00	426.00
1150 x 600mm	566	1932	N/A	N/A	89.0816	396.00	475.20
1750 x 500mm	756	2580	N/A	N/A	89.0817	453.00	543.60
1750 x 600mm	861	2938	N/A	N/A	89.0818	505.00	606.00

Marlow E-Style Towel Rail - Matt Cappuccino

Size H x W	Watts	BTU	Element Output	Element Type	Code	£ Ex VAT	£ Inc VAT
850 x 500mm	371	1266	N/A	N/A	89.0825	258.00	309.60
850 x 600mm	422	1440	N/A	N/A	89.0826	289.00	346.80
1150 x 500mm	497	1696	N/A	N/A	89.0827	355.00	426.00
1150 x 600mm	566	1932	N/A	N/A	89.0828	396.00	475.20
1750 x 500mm	756	2580	N/A	N/A	89.0829	453.00	543.60
1750 x 600mm	861	2938	N/A	N/A	89.0830	505.00	606.00

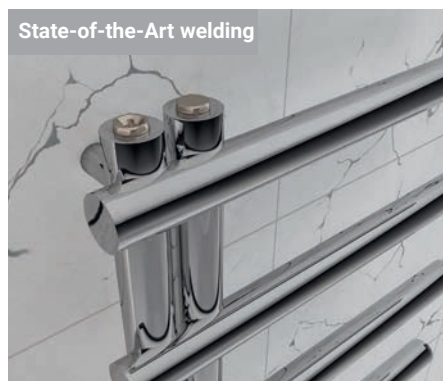
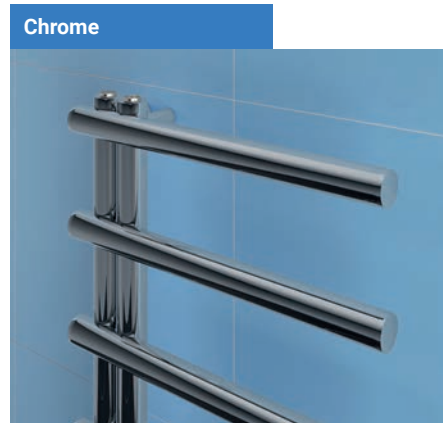
Twin TRV's Page 733



Tappings: 50mm

TECHNICAL INFORMATION

All measurements in Height by Width. Heat output based on $\Delta T60^{\circ}C$. **Not suitable for elements.** For matching valves see pages 731-737. For indirect heating systems only. Tappings are 50mm and approx. 85mm off the wall. Price includes radiator and wall fixing sets, valves extra.



Designer Range

LAMBOURNE

New Product

Warranty

5
Year

Heating



All Electric



Dual-Fuel



NEW



Side or Bottom connections

Rear fixing metal wall brackets

Pictured 89.1701 Chrome (side connection valves shown)

A masterpiece for your bathroom or any other room. The vertical bars at the ends can be used as towel / bathrobe hangers, middle section at the top can be used to dry your towels too. This exceptional design is available in 2 heights and 2 widths with 4 colour options.

FEATURES

- 42mm diameter horizontal bars
 - 42mm diameter vertical profiles
 - Rear fixing metal wall brackets
 - Tested to BS EN 442 standards
 - State-of-the-Art welding technology
 - Can have either side or bottom connections
 - 4 colours available from stock
 - 5 Year Manufacturer's Warranty*
- *With conditions

Technical Tables
& Drawings
Page 764-765



TECHNICAL INFORMATION

All measurements in Height by Width. Heat output based on $\Delta T60^{\circ}\text{C}$. Radiators that are electric only are restricted to the heat output of the elements. Element size can be increased to full capacity of rail if using element type D, E, F or G. For element types see pages 718-729. For matching valves see pages 731-737. For indirect heating systems only. **For side connection**, tappings are the width of the rail and approx. 85mm off the wall. **For bottom connection**, tappings are approx. 180mm less than the width of the rail and approx. 106mm off the wall. Projection from wall 127mm. Price includes radiator and wall fixing sets, valves extra.

Designer Range

LAMBOURNE

New Product

Lambourne Designer Radiator - Matt White							
Size H x W	Watts	BTU	Element Output	Element Type	Code	£ Ex VAT	£ Inc VAT
1200 x 420mm	649	2215	150W	A, A+, D, E, F, G	89.1703	305.00	366.00
1200 x 540mm	837	2856	300W	A, A+, D, E, F, G	89.1704	381.00	457.20
1800 x 420mm	888	3030	300W	A, A+, D, E, F, G	89.1695	380.00	456.00
1800 x 540mm	1146	3911	450W	A, A+, D, E, F, G	89.1696	475.00	570.00

Lambourne Designer Radiator - Matt Anthracite							
Size H x W	Watts	BTU	Element Output	Element Type	Code	£ Ex VAT	£ Inc VAT
1200 x 420mm	649	2215	150W	A, A+, D, E, F, G	89.1705	305.00	366.00
1200 x 540mm	837	2856	300W	A, A+, D, E, F, G	89.1706	381.00	457.20
1800 x 420mm	888	3030	300W	A, A+, D, E, F, G	89.1697	380.00	456.00
1800 x 540mm	1146	3911	450W	A, A+, D, E, F, G	89.1698	475.00	570.00

Lambourne Designer Radiator - Matt Black							
Size H x W	Watts	BTU	Element Output	Element Type	Code	£ Ex VAT	£ Inc VAT
1200 x 420mm	649	2215	150W	A, A+, D, E, F, G	89.1707	305.00	366.00
1200 x 540mm	837	2856	300W	A, A+, D, E, F, G	89.1708	381.00	457.20
1800 x 420mm	888	3030	300W	A, A+, D, E, F, G	89.1699	380.00	456.00
1800 x 540mm	1146	3911	450W	A, A+, D, E, F, G	89.1700	475.00	570.00

Lambourne Designer Radiator - Chrome							
Size H x W	Watts	BTU	Element Output	Element Type	Code	£ Ex VAT	£ Inc VAT
1200 x 420mm	426	1454	150W	A, A+, D, E, F, G	89.1709	406.00	487.20
1200 x 540mm	549	1874	150W	A, A+, D, E, F, G	89.1710	506.00	607.20
1800 x 420mm	652	2225	150W	A, A+, D, E, F, G	89.1701	506.00	607.20
1800 x 540mm	842	2873	300W	A, A+, D, E, F, G	89.1702	633.00	759.60



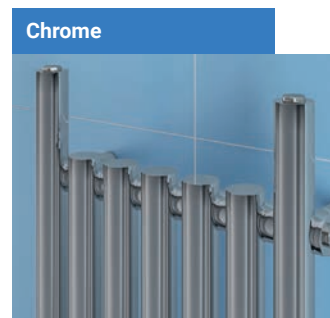
Pictured 89.1706 Matt Anthracite (bottom connection valves shown)



Side Connection shown: For dual fuel installation element can only be fitted vertically from the bottom inside left or right hand profile. (T piece not required)



Bottom Connection shown: Valves can also be fitted from the bottom inlets. For electric only installation element can be fitted to the left or right hand side.



Designer Range

MURANO VERTICAL

Pictured 89.0908 Matt Grey



Warranty

5

Year

Heating



Diameter (Ø)

22

MM Bars

Pictured 89.0916 Matt Anthracite



Double profile construction

Murano Vertical Radiator - Gloss White

Size H x W	Watts	BTU	Element Output	Element Type	Code	£ Ex VAT	£ Inc VAT
1800 x 310mm	947	3232	N/A	N/A	89.0901	429.00	514.80
1800 x 410mm	1301	4440	N/A	N/A	89.0902	571.00	685.20
1800 x 510mm	1667	5688	N/A	N/A	89.0903	713.00	855.60

Murano Vertical Radiator - Matt Grey

Size H x W	Watts	BTU	Element Output	Element Type	Code	£ Ex VAT	£ Inc VAT
1800 x 310mm	947	3232	N/A	N/A	89.0908	429.00	514.80
1800 x 410mm	1301	4440	N/A	N/A	89.0909	571.00	685.20
1800 x 510mm	1667	5688	N/A	N/A	89.0910	713.00	855.60

Murano Vertical Radiator - Matt Anthracite

Size H x W	Watts	BTU	Element Output	Element Type	Code	£ Ex VAT	£ Inc VAT
1800 x 310mm	947	3232	N/A	N/A	89.0915	429.00	514.80
1800 x 410mm	1301	4440	N/A	N/A	89.0916	571.00	685.20
1800 x 510mm	1667	5688	N/A	N/A	89.0917	713.00	855.60

Murano Vertical Radiator - Matt Black

Size H x W	Watts	BTU	Element Output	Element Type	Code	£ Ex VAT	£ Inc VAT
1800 x 310mm	947	3232	N/A	N/A	89.0922	429.00	514.80
1800 x 410mm	1301	4440	N/A	N/A	89.0923	571.00	685.20
1800 x 510mm	1667	5688	N/A	N/A	89.0924	713.00	855.60

Double vertical round bars and double horizontal bars create this eye catching radiator; Murano. Available in vertical horizontal styles with 4 finishes.

FEATURES

- 22mm diameter vertical bars
 - Double tube on tube construction
 - Tested to BS EN 442 standards
 - 4 colours available from stock
 - State-of-the-Art welding technology
 - 5 Year Manufacturer's Warranty*
- * With conditions

Technical Tables & Drawings

Page 764-765

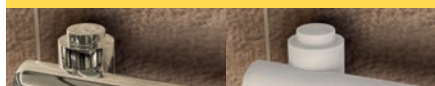


TECHNICAL INFORMATION

All measurements in Height by Width. Heat output based on $\Delta T60^{\circ}\text{C}$. **Not suitable for elements.** For matching valves see pages 731-737. For indirect heating systems only. Comes with built-in flow diverter. Tappings are width of the rail and approx. 50mm off the wall. Projection from wall is 86mm. Price includes radiator and wall fixing sets, valves extra.

Round Vent Caps

Page 741



Designer Range

MURANO HORIZONTAL

Pictured 89.0897 Gloss White



- Warranty**
5
Year
- Heating**
- All Electric**
- Dual-Fuel**
- Diameter (Ø)**
22
MM Bars

Pictured 89.0920 Matt Black



Double profile construction

Murano Horizontal Radiator - Gloss White							
Size H x W	Watts	BTU	Element Output	Element Type	Code	£ Ex VAT	£ Inc VAT
600 x 800mm	864	2948	300W	A, A+, D, F, G	89.0897	318.00	381.60
600 x 1000mm	1103	3764	450W	A, A+, D, F, G	89.0898	398.00	477.60
600 x 1200mm	1348	4600	450W	A, A+, D, F, G	89.0899	477.00	572.40
600 x 1400mm	1596	5446	600W	A+, D, F, G	89.0900	557.00	668.40

Murano Horizontal Radiator - Matt Anthracite							
Size H x W	Watts	BTU	Element Output	Element Type	Code	£ Ex VAT	£ Inc VAT
600 x 800mm	864	2948	300W	A, A+, D, F, G	89.0911	318.00	381.60
600 x 1000mm	1103	3764	450W	A, A+, D, F, G	89.0912	398.00	477.60
600 x 1200mm	1348	4600	450W	A, A+, D, F, G	89.0913	477.00	572.40
600 x 1400mm	1596	5446	600W	A+, D, F, G	89.0914	557.00	668.40

Murano Horizontal Radiator - Matt Grey							
Size H x W	Watts	BTU	Element Output	Element Type	Code	£ Ex VAT	£ Inc VAT
600 x 800mm	864	2948	300W	A, A+, D, F, G	89.0904	318.00	381.60
600 x 1000mm	1103	3764	450W	A, A+, D, F, G	89.0905	398.00	477.60
600 x 1200mm	1348	4600	450W	A, A+, D, F, G	89.0906	477.00	572.40
600 x 1400mm	1596	5446	600W	A+, D, F, G	89.0907	557.00	668.40

Murano Horizontal Radiator - Matt Black							
Size H x W	Watts	BTU	Element Output	Element Type	Code	£ Ex VAT	£ Inc VAT
600 x 800mm	864	2948	300W	A, A+, D, F, G	89.0918	318.00	381.60
600 x 1000mm	1103	3764	450W	A, A+, D, F, G	89.0919	398.00	477.60
600 x 1200mm	1348	4600	450W	A, A+, D, F, G	89.0920	477.00	572.40
600 x 1400mm	1596	5446	600W	A+, D, F, G	89.0921	557.00	668.40

FEATURES

- 22mm diameter horizontal bars
 - Double tube on tube construction
 - Tested to BS EN 442 standards
 - 4 colours available from stock
 - State-of-the-Art welding technology
 - Can be single, dual fuel or all electric
 - 5 Year Manufacturer's Warranty*
- * With conditions

Technical Tables
& Drawings
Page 766-767



TECHNICAL INFORMATION

All measurements in Height by Width. Heat output based on $\Delta T_{60}^{\circ}\text{C}$. Radiators that are electric only are restricted to the heat output of the elements. Element size can be increased to full capacity of rail if using element type D, F or G. For element types see pages 718-729. For matching valves see pages 731-737. For indirect heating systems only. Tappings are approx. 45mm less than the width of the rail and approx. 81mm off the wall. Projection from wall is 117mm. Price includes radiator and wall fixing sets, valves extra.

Designer Range

RYTON



Pictured 61.0017 Chrome

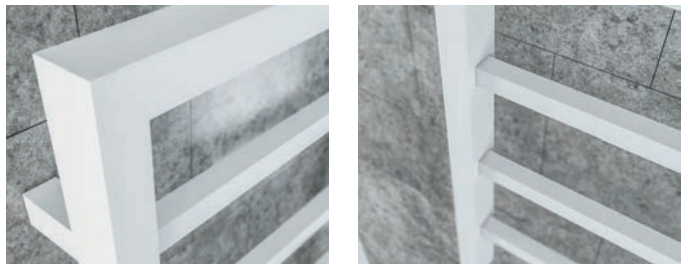


Framed rectangular designer towel rail available in a variety of finishes to create a stylish focal point in any bathroom.

FEATURES

- Tested to BS EN 442 standards
- A brave alternative for a basic towel radiator
- Can be single, dual fuel or all electric (element can only be fitted on the right hand side)
- 5 Year Manufacturer's Warranty*
- * With conditions

**Technical Tables
& Drawings**
Page 766-767



Warranty

5

Year

Heating

All Electric

Dual-Fuel

TECHNICAL INFORMATION

All measurements in Height by Width. Heat output based on $\Delta T 60^{\circ}\text{C}$. Radiators that are electric only are restricted to the heat output of the elements. Element size can be increased to full capacity of rail if using element type D, E, F or G. Element can only be fitted on the right hand side. For element types see pages 718-729. For matching valves see pages 731-737. For indirect heating systems only. Tappings are approx. 30mm less than the width of the rail and approx. 75-90mm off the wall. Price includes radiator and wall fixing sets, valves extra.

Designer Range

RYTON

Ryton Towel Rail - Matt White

Size H x W	Watts	BTU	Element Output	Element Type	Code	£ Ex VAT	£ Inc VAT
800 x 500mm	253	863	150W	A, A+, D, E, F, G	61.0002	277.00	332.40
800 x 600mm	279	951	150W	A, A+, D, E, F, G	61.0003	302.00	362.40
1200 x 500mm	379	1293	150W	A, A+, D, E, F, G	61.0004	345.00	414.00
1200 x 600mm	418	1425	150W	A, A+, D, E, F, G	61.0005	374.00	448.80
1600 x 500mm	505	1722	300W	A, A+, D, E, F, G	61.0006	438.00	525.60
1600 x 600mm	556	1898	300W	A, A+, D, E, F, G	61.0007	478.00	573.60

Ryton Towel Rail - Chrome

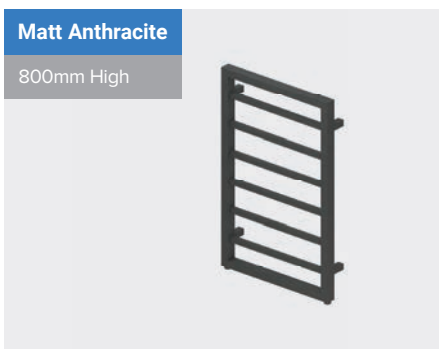
Size H x W	Watts	BTU	Element Output	Element Type	Code	£ Ex VAT	£ Inc VAT
800 x 500mm	168	572	100W	A, A+, D, E, F, G	61.0014	413.00	495.60
800 x 600mm	185	630	100W	A, A+, D, E, F, G	61.0015	464.00	556.80
1200 x 500mm	251	856	150W	A, A+, D, E, F, G	61.0016	521.00	625.20
1200 x 600mm	277	944	150W	A, A+, D, E, F, G	61.0017	581.00	697.20
1600 x 500mm	334	1141	150W	A, A+, D, E, F, G	61.0018	631.00	757.20
1600 x 600mm	368	1257	150W	A, A+, D, E, F, G	61.0019	707.00	848.40

Ryton Towel Rail - Matt Anthracite

Size H x W	Watts	BTU	Element Output	Element Type	Code	£ Ex VAT	£ Inc VAT
800 x 500mm	253	863	150W	A, A+, D, E, F, G	61.0008	277.00	332.40
800 x 600mm	279	951	150W	A, A+, D, E, F, G	61.0009	302.00	362.40
1200 x 500mm	379	1293	150W	A, A+, D, E, F, G	61.0010	345.00	414.00
1200 x 600mm	418	1425	150W	A, A+, D, E, F, G	61.0011	374.00	448.80
1600 x 500mm	505	1722	300W	A, A+, D, E, F, G	61.0012	438.00	525.60
1600 x 600mm	556	1898	300W	A, A+, D, E, F, G	61.0013	478.00	573.60

Radiator Valves

Page 731-737



Designer Range

KENILWORTH



Pictured 61.0032 Chrome

A contemporary take on a traditional towel rail. This round edged framed design available in a variety of colours will be sure to suit any bathroom.

FEATURES

- Tested to BS EN 442 standards
- A brave alternative for a basic towel radiator
- Can be single, dual fuel or all electric (element can only be fitted on the right hand side)
- 5 Year Manufacturer's Warranty*
- * With conditions

Technical Tables & Drawings
Page 766-767



TECHNICAL INFORMATION

All measurements in Height by Width. Heat output based on $\Delta T60^{\circ}\text{C}$. Radiators that are electric only are restricted to the heat output of the elements. Element size can be increased to full capacity of rail if using element type D, E, F or G. Element can only be fitted on the right hand side. For element types see pages 718-729. For matching valves see pages 731-737. For indirect heating systems only. Tappings are approx. 32mm less than the width of the rail and approx. 76-91mm off the wall. Price includes radiator and wall fixing sets, valves extra.

Designer Range

KENILWORTH

Kenilworth Towel Rail - Matt White

Size H x W	Watts	BTU	Element Output	Element Type	Code	£ Ex VAT	£ Inc VAT
800 x 500mm	252	860	150W	A, A+, D, E, F, G	61.0020	263.00	315.60
800 x 600mm	280	956	150W	A, A+, D, E, F, G	61.0021	290.00	348.00
1200 x 500mm	378	1289	150W	A, A+, D, E, F, G	61.0022	333.00	399.60
1200 x 600mm	420	1432	150W	A, A+, D, E, F, G	61.0023	361.00	433.20
1600 x 500mm	503	1717	300W	A, A+, D, E, F, G	61.0024	425.00	510.00
1600 x 600mm	559	1908	300W	A, A+, D, E, F, G	61.0025	466.00	559.20

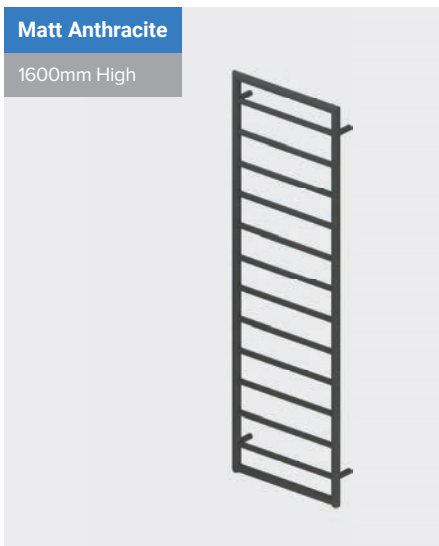
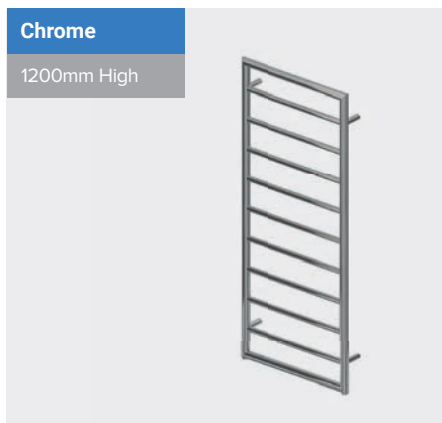
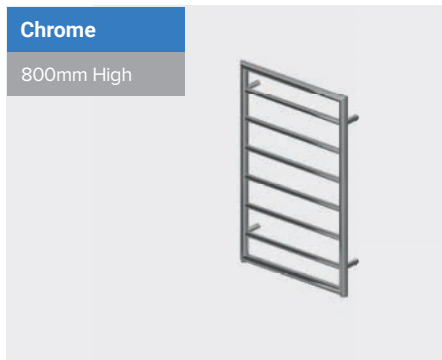
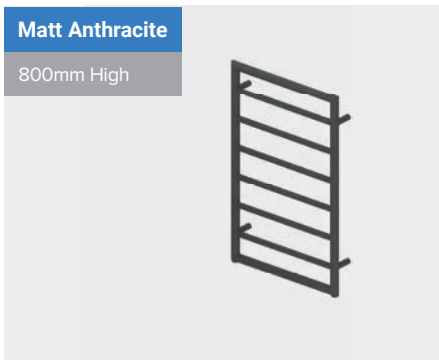
Kenilworth Towel Rail - Chrome

Size H x W	Watts	BTU	Element Output	Element Type	Code	£ Ex VAT	£ Inc VAT
800 x 500mm	167	570	100W	A, A+, D, E, F, G	61.0032	396.00	475.20
800 x 600mm	186	633	100W	A, A+, D, E, F, G	61.0033	442.00	530.40
1200 x 500mm	250	854	150W	A, A+, D, E, F, G	61.0034	502.00	602.40
1200 x 600mm	278	948	150W	A, A+, D, E, F, G	61.0035	563.00	675.60
1600 x 500mm	333	1137	150W	A, A+, D, E, F, G	61.0036	605.00	726.00
1600 x 600mm	370	1264	150W	A, A+, D, E, F, G	61.0037	677.00	812.40

Kenilworth Towel Rail - Matt Anthracite

Size H x W	Watts	BTU	Element Output	Element Type	Code	£ Ex VAT	£ Inc VAT
800 x 500mm	252	863	150W	A, A+, D, E, F, G	61.0026	263.00	315.60
800 x 600mm	280	956	150W	A, A+, D, E, F, G	61.0027	290.00	348.00
1200 x 500mm	378	1289	150W	A, A+, D, E, F, G	61.0028	333.00	399.60
1200 x 600mm	420	1432	150W	A, A+, D, E, F, G	61.0029	361.00	433.20
1600 x 500mm	503	1717	300W	A, A+, D, E, F, G	61.0030	425.00	510.00
1600 x 600mm	559	1908	300W	A, A+, D, E, F, G	61.0031	466.00	559.20

Radiator Valves
Page 731-737



Designer Range

LOXLEY

The Loxley range features contemporary clean lines. The square tubes and profiles gives this towel rail an ultra-modern look.

FEATURES

- Tested to BS EN 442 standards
- Modern adaption of a traditional design
- Concealed wall brackets
- Can be single, dual fuel** or all electric** (element can only be fitted on the right hand side)
- 5 Year Manufacturer's Warranty*

* With conditions

** Only certain sizes, see table

Technical Tables & Drawings

Page 766-767



Warranty

5
Year

Heating



All Electric



Dual-Fuel



Pictured 61.0047 Chrome

Loxley Towel Rail - Matt White

Size H x W	Watts	BTU	Element Output	Element Type	Code	£ Ex VAT	£ Inc VAT
800 x 500mm	194	663	100W	A, A+, D, F, G	61.0038	436.00	523.20
800 x 600mm	216	736	100W	A, A+, D, F, G	61.0039	475.00	570.00
1200 x 500mm	291	993	150W	A, A+, D, E, F, G	61.0040	479.00	574.80
1200 x 600mm	323	1102	150W	A, A+, D, E, F, G	61.0041	523.00	627.60

Loxley Towel Rail - Matt Anthracite

Size H x W	Watts	BTU	Element Output	Element Type	Code	£ Ex VAT	£ Inc VAT
800 x 500mm	194	663	100W	A, A+, D, F, G	61.0042	436.00	523.20
800 x 600mm	216	736	100W	A, A+, D, F, G	61.0043	475.00	570.00
1200 x 500mm	291	993	150W	A, A+, D, E, F, G	61.0044	479.00	574.80
1200 x 600mm	323	1102	150W	A, A+, D, E, F, G	61.0045	523.00	627.60

Loxley Towel Rail - Chrome

Size H x W	Watts	BTU	Element Output	Element Type	Code	£ Ex VAT	£ Inc VAT
800 x 500mm	129	439	N/A	N/A	61.0046	527.00	632.40
800 x 600mm	143	487	N/A	N/A	61.0047	593.00	711.60
1200 x 500mm	193	658	100W	A, A+, D, F, G	61.0048	594.00	712.80
1200 x 600mm	214	730	100W	A, A+, D, F, G	61.0049	664.00	796.80

Chrome

800mm High



Chrome

1200mm High



Concealed Wall Brackets



Concealed Wall Brackets



TECHNICAL INFORMATION

All measurements in Height by Width. Heat output based on $\Delta T60^{\circ}\text{C}$. Radiators that are electric only are restricted to the heat output of the elements. Element size can be increased to full capacity of rail if using element type D, E, F or G. Element can only be fitted on the right hand side. For element types see pages 718-729. For matching valves see pages 731-737. For indirect heating systems only. Tappings are approx. 59mm less than the width of the rail and approx. 76mm off the wall. Price includes radiator and wall fixing sets, valves extra.

Designer Range



Pictured 61.0056 Matt Anthracite

ESHTON

A fresh take on the traditional towel rail. The Eshton range features both round tubes and profiles for a complete contemporary look.

FEATURES

- Tested to BS EN 442 standards
 - Modern adaption of a traditional design
 - Concealed wall brackets
 - Can be single, dual fuel or all electric (element can only be fitted on the right hand side)
 - 5 Year Manufacturer's Warranty*
- * With conditions

Technical Tables & Drawings

Page 768-769



Warranty

5

Year

Heating

All Electric

Dual-Fuel

Eshton Towel Rail - Matt White

Size H x W	Watts	BTU	Element Output	Element Type	Code	£ Ex VAT	£ Inc VAT
800 x 500mm	248	848	150W	A, A+, D, E, F, G	61.0050	396.00	475.20
800 x 600mm	276	942	150W	A, A+, D, E, F, G	61.0051	433.00	519.60
1200 x 500mm	372	1270	150W	A, A+, D, E, F, G	61.0052	442.00	530.40
1200 x 600mm	413	1411	150W	A, A+, D, E, F, G	61.0053	442.00	530.40

Eshton Towel Rail - Matt Anthracite

Size H x W	Watts	BTU	Element Output	Element Type	Code	£ Ex VAT	£ Inc VAT
800 x 500mm	248	848	150W	A, A+, D, E, F, G	61.0054	396.00	475.20
800 x 600mm	276	942	150W	A, A+, D, E, F, G	61.0055	433.00	519.60
1200 x 500mm	372	1270	150W	A, A+, D, E, F, G	61.0056	442.00	530.40
1200 x 600mm	413	1411	150W	A, A+, D, E, F, G	61.0057	480.00	576.00

Eshton Towel Rail - Chrome

Size H x W	Watts	BTU	Element Output	Element Type	Code	£ Ex VAT	£ Inc VAT
800 x 500mm	165	561	100W	A, A+, D, F, G	61.0058	488.00	585.60
800 x 600mm	183	624	100W	A, A+, D, F, G	61.0059	547.00	656.40
1200 x 500mm	246	841	150W	A, A+, D, E, F, G	61.0060	556.00	667.20
1200 x 600mm	274	934	150W	A, A+, D, E, F, G	61.0061	611.00	733.20

Chrome

800mm High



Chrome

1200mm High



TECHNICAL INFORMATION

All measurements in Height by Width. Heat output based on $\Delta T60^{\circ}C$. Radiators that are electric only are restricted to the heat output of the elements. Element size can be increased to full capacity of rail if using element type D, E, F or G. Element can only be fitted on the right hand side. For element types see pages 718-729. For matching valves see pages 731-737. For indirect heating systems only. Tappings are approx. 59mm less than the width of the rail and approx. 77mm off the wall. Price includes radiator and wall fixing sets, valves extra.

Concealed Wall Brackets



Concealed Wall Brackets



Designer Range

RUBANO VERTICAL

Pictured 81.0058 Gloss White

Warranty

5
Year

Heating



All Electric



Dual-Fuel



Technical Tables
& Drawings

Page 768-769



HEATING NOTE: Radiators that are electric only are restricted to the heat output of the elements.



Close-up without vent caps

A modern take on the traditional radiator. The range features larger profiles for a more contemporary look. Available in gloss white, matt anthracite and a range of sizes makes the Rubano an ideal radiator for any household room.

Rubano Vertical - Gloss White							
Size H x W	Watts	BTU	Element Output	Element Type	Code	£ Ex VAT	£ Inc VAT
1800 x 383mm	1658	5654	300W	A, A+, C*, H*	81.0058	407.00	488.40
1800 x 503mm	2210	7536	600W	A+, C**, H**	81.0059	541.00	649.20

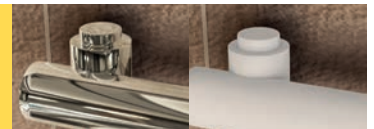
Rubano Vertical - Matt Anthracite							
Size H x W	Watts	BTU	Element Output	Element Type	Code	£ Ex VAT	£ Inc VAT
1800 x 383mm	1658	5654	300W	A, A+, C*, H*	81.0064	415.00	498.00
1800 x 503mm	2210	7536	600W	A+, C**, H**	81.0065	552.00	662.40

*Element Type C and H 300W can be used. **Element Type C and H 900W can be used.

Rubano Radiator Feet			
Description	Code	£ Ex VAT	£ Inc VAT
Rubano Radiator Feet (pair) White	81.0066	35.00	42.00
Rubano Radiator Feet (pair) Matt Anthracite	81.0067	35.00	42.00

Round Vent Caps

Page 741



Designer Range

RUBANO HORIZONTAL



Technical Tables & Drawings
Page 768-769



HEATING NOTE: Radiators that are electric only are restricted to the heat output of the elements.

Pictured 81.0062 Matt Anthracite

A modern take on the traditional radiator. The range features larger profiles for a more contemporary look. Available in gloss white, matt anthracite and a range of sizes makes the Rubano an ideal radiator for any household room.

Rubano Horizontal Radiators - Gloss White							
Size H x W	Watts	BTU	Element Output	Element Type	Code	£ Ex VAT	£ Inc VAT
600 x 383mm	553	1886	300W	A, A+, C*, H*	81.0054	165.00	198.00
600 x 623mm	921	3141	450W	A, A+, C, E**, H	81.0055	270.00	324.00
600 x 803mm	1197	4082	600W	A, A+, C, E, H	81.0056	349.00	418.80
600 x 1103mm	1658	5654	900W	A, A+, C, H	81.0057	481.00	577.20

*Element Type C and H only 300W can be used. **Element Type E only 300W can be used.

Rubano Horizontal Radiators - Matt Anthracite							
Size H x W	Watts	BTU	Element Output	Element Type	Code	£ Ex VAT	£ Inc VAT
600 x 383mm	553	1886	300W	A, A+, C*, H*	81.0060	168.00	201.60
600 x 623mm	921	3141	450W	A, A+, C, E**, H	81.0061	273.00	327.60
600 x 803mm	1197	4082	600W	A, A+, C, E, H	81.0062	357.00	428.40
600 x 1103mm	1658	5654	900W	A, A+, C, H	81.0063	491.00	589.20

*Element Type C and H only 300W can be used. **Element Type E only 300W can be used.

Rubano Radiator Feet			
Description	Code	£ Ex VAT	£ Inc VAT
Rubano Radiator Feet (pair) White	81.0066	35.00	42.00
Rubano Radiator Feet (pair) Matt Anthracite	81.0067	35.00	42.00

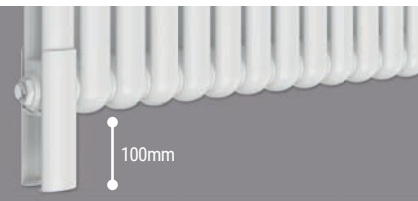
FEATURES

- Tested to BS EN 442 standards
 - Modern style column radiator
 - Radiator feet option available to get the modern look
 - Does not require flow diverter
 - Can be single, dual fuel or all electric
 - 5 Year Manufacturer's Warranty*
- * With conditions

TECHNICAL INFORMATION

All measurements in Height by Width. Heat output based on $\Delta T60^{\circ}C$. Radiators that are electric only are restricted to the heat output of the elements. Element size can be increased to full capacity of rail if using element type C, E or H. For element types see pages 718-729. For matching valves see pages 731-737. For indirect heating systems only. Tappings are approx. the width of the rail and 74mm off the wall. Price includes radiator and wall fixing sets, valves extra.

Optional Extra:
Rubano Radiator Feet



Round Vent Caps
Page 741



Warranty

5

Year

Heating

All Electric

Dual-Fuel

Designer Range

ROWSHAM VERTICAL

Pictured 89.0103 Matt White



Bar Dimensions (mm)

Vertical Bars 40 x 20mm

The Rowsham Vertical is a designer radiator with stunning clean lines that complement any room.

FEATURES

- 40 x 20mm vertical bars
 - Comes with pre-fitted flow diverter
 - Tested to BS EN 442 standards
 - 5 Year manufacturer's warranty*
 - Not suitable for elements
- * With conditions

**Technical Tables
& Drawings**
Page 768-769



Pictured 89.0109 Matt Anthracite with 89.0112 Chrome Towel Hanger



Rowsham Vertical - Matt White					
Size H x W	Watts	BTU	Code	£ Ex VAT	£ Inc VAT
1800 x 300mm	1045	3566	89.0102	333.00	399.60
1800 x 380mm	1360	4641	89.0103	426.00	511.20
1800 x 500mm	1846	6299	89.0104	439.00	526.80

Rowsham Vertical - Matt Anthracite					
Size H x W	Watts	BTU	Code	£ Ex VAT	£ Inc VAT
1800 x 300mm	1045	3566	89.0109	333.00	399.60
1800 x 380mm	1360	4641	89.0110	426.00	511.20
1800 x 500mm	1846	6299	89.0111	439.00	526.80

Designer Range

ROWSHAM VERTICAL



SWATCHES AVAILABLE

Pictured 89.0111 Matt Anthracite

Bar Dimensions (mm)
Vertical Bars 40 x 20mm

COMPLETE THE LOOK

Angled Thermostatic Valves
Page: 732-737



Round Vent Caps

Page 741



TECHNICAL INFORMATION

All measurements in Height by Width. Heat output based on $\Delta T60^{\circ}\text{C}$. For matching valves see pages 731-737. For indirect heating systems only. Tappings are the width of the rail and approx. 54mm off the wall. Price includes radiator and wall fixing sets, valves extra.

Warranty

5
Year

Heating



Optional Extra - Towel Hanger - Chrome

Description	Code	£ Ex VAT	£ Inc VAT
Towel Hanger 300mm	89.0112	70.00	84.00

Compatible with Vertical and Horizontal Radiators. Can be fitted after installation (vertical radiators only).

Designer Range

ROWSHAM HORIZONTAL

Pictured 89.0098 Matt White



Bar Dimensions (mm)

Vertical Bars 40 x 20mm



Pictured 89.0107 Matt Anthracite

Technical Tables
& Drawings
Page 768-769



The Rowsham Horizontal is a designer radiator with stunning clean lines that complement any room.

Rowsham Horizontal - Matt White

Size H x W	Watts	BTU	Code	£ Ex VAT	£ Inc VAT
600 x 580mm	636	2171	89.0098	308.00	369.60
600 x 780mm	884	3017	89.0099	345.00	414.00
600 x 980mm	1140	3890	89.0100	395.00	474.00
600 x 1180mm	1401	4781	89.0101	459.00	550.80

Rowsham Horizontal - Matt Anthracite

Size H x W	Watts	BTU	Code	£ Ex VAT	£ Inc VAT
600 x 580mm	636	2171	89.0105	308.00	369.60
600 x 780mm	884	3017	89.0106	345.00	414.00
600 x 980mm	1140	3890	89.0107	395.00	474.00
600 x 1180mm	1401	4781	89.0108	459.00	550.80

FEATURES

- 40 x 20mm vertical bars
- Comes with pre-fitted flow diverter
- Tested to BS EN 442 standards
- 5 Year manufacturer's warranty*
- Not suitable for elements
- * With conditions

Round Vent Caps

Page 741



TECHNICAL INFORMATION

All measurements in Height by Width. Heat output based on $\Delta T_{60}^{\circ}\text{C}$. For matching valves see pages 731-737. For indirect heating systems only. Tappings are the width of the rail and approx. 54mm off the wall. Price includes radiator and wall fixing sets, valves extra.



Optional Extra - Towel Hanger - Chrome

Description	Code	£ Ex VAT	£ Inc VAT
Towel Hanger 300mm	89.0112	70.00	84.00

Compatible with Vertical and Horizontal Radiators. Must be fitted before installation (horizontal radiators only).

Warranty

5
Year

Heating



Designer Range

ROWSHAM TOWEL RAIL



Technical Tables
& Drawings
Page 770-771



Pictured 89.1393 Matt White

Rear fixing metal wall brackets



Pictured 89.1396 Matt Anthracite

Bar Dimensions (mm)

Horizontal Bars 40 x 20mm

The Rowsham Towel Rail is a designer towel rail with stunning clean lines that has also high heat output.

Rowsham Towel Rail - Matt White

Size H x W	Watts	BTU	Element Output	Element Type	Code	£ Ex VAT	£ Inc VAT
800 x 500mm	581	1983	300W	A, A+, D, E, F, G	89.1388	217.00	260.40
800 x 600mm	627	2140	300W	A, A+, D, E, F, G	89.1389	250.00	300.00
1200 x 500mm	869	2966	450W	A, A+, D, E, F, G	89.1390	357.00	428.40
1200 x 600mm	938	3201	600W	A, A+, D, E, F, G	89.1391	413.00	495.60
1800 x 500mm	1331	4542	600W	A, A+, D, E, F, G	89.1392	494.00	592.80
1800 x 600mm	1437	4904	750W	A, A+, D, E, F, G	89.1393	572.00	686.40

Rowsham Towel Rail - Matt Anthracite

Size H x W	Watts	BTU	Element Output	Element Type	Code	£ Ex VAT	£ Inc VAT
800 x 500mm	581	1983	300W	A, A+, D, E, F, G	89.1394	217.00	260.40
800 x 600mm	627	2140	300W	A, A+, D, E, F, G	89.1395	250.00	300.00
1200 x 500mm	869	2966	450W	A, A+, D, E, F, G	89.1396	357.00	428.40
1200 x 600mm	938	3201	600W	A, A+, D, E, F, G	89.1397	413.00	495.60
1800 x 500mm	1331	4542	600W	A, A+, D, E, F, G	89.1398	494.00	592.80
1800 x 600mm	1437	4904	750W	A, A+, D, E, F, G	89.1399	572.00	686.40

Warranty

5
Year

Heating



All Electric



Dual-Fuel



TECHNICAL INFORMATION

All measurements in Height by Width. Heat output based on $\Delta T60^{\circ}C$. Radiators that are electric only are restricted to the heat output of the elements. Element size can be increased to full capacity of rail if using element type D, E, F or G. For element types see pages 718-729. For matching valves see pages 731-737. For indirect heating systems only. Tappings are approx. 32mm less than the width of the rail and 83mm off the wall. Projection from wall is 139mm. Price includes radiator and wall fixing sets, valves extra.

Round Vent Caps

Page 741



Designer Range

TUNSTALL VERTICAL

Including new sizes



Bar Dimensions (mm)

Vertical Bars 50 x 25mm

Pictured 89.0008 Chrome & 101.0035 Towel Hanger

Warranty

5
Year

Heating



Create a fresh new look with this elegant designer radiator which will suit any room in the house. Available in four colour finishes.

FEATURES

- 50 x 25mm vertical bars
- Comes with pre-fitted flow diverter
- Tested to BS EN 442 standards
- 5 Year manufacturer's warranty*
- Not suitable for elements
- * With conditions

**Technical Tables
& Drawings**
Page 770-771



Round Vent Caps

Page 741



Robe Hooks

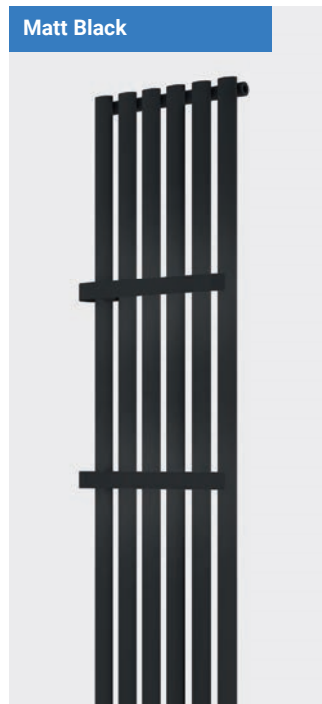
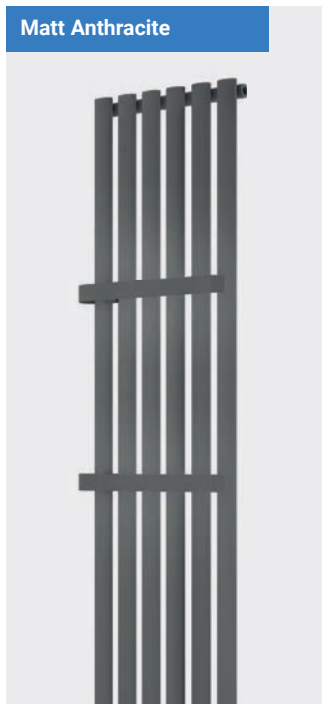
Page 738



Designer Range

Including new sizes

TUNSTALL VERTICAL



Tunstall Vertical Radiators - Matt White						New Sizes	
Size H x W	Watts	BTU	Element Output	Element Type	Code	£ Ex VAT	£ Inc VAT
1800 x 280mm	583	1990	N/A	N/A	89.0001	159.00	190.80
1800 x 350mm	750	2559	N/A	N/A	89.1620	189.00	226.80
1800 x 420mm	926	3160	N/A	N/A	89.0005	218.00	261.60
1800 x 490mm	1099	3750	N/A	N/A	89.1624	264.00	316.80
1800 x 560mm	1280	4368	N/A	N/A	89.1628	307.00	368.40
1800 x 630mm	1471	5020	N/A	N/A	89.0009	341.00	409.20

Tunstall Vertical Radiators - Matt Black						New Sizes	
Size H x W	Watts	BTU	Element Output	Element Type	Code	£ Ex VAT	£ Inc VAT
1800 x 280mm	583	1990	N/A	N/A	89.0003	159.00	190.80
1800 x 350mm	750	2559	N/A	N/A	89.1622	189.00	226.80
1800 x 420mm	926	3160	N/A	N/A	89.0007	218.00	261.60
1800 x 490mm	1099	3750	N/A	N/A	89.1626	264.00	316.80
1800 x 560mm	1280	4368	N/A	N/A	89.1630	307.00	368.40
1800 x 630mm	1471	5020	N/A	N/A	89.0011	341.00	409.20

Tunstall Vertical Radiators - Matt Anthracite						New Sizes	
Size H x W	Watts	BTU	Element Output	Element Type	Code	£ Ex VAT	£ Inc VAT
1800 x 280mm	583	1990	N/A	N/A	89.0002	159.00	190.80
1800 x 350mm	750	2559	N/A	N/A	89.1621	189.00	226.80
1800 x 420mm	926	3160	N/A	N/A	89.0006	218.00	261.60
1800 x 490mm	1099	3750	N/A	N/A	89.1625	264.00	316.80
1800 x 560mm	1280	4368	N/A	N/A	89.1629	307.00	368.40
1800 x 630mm	1471	5020	N/A	N/A	89.0010	341.00	409.20

Tunstall Vertical Radiators - Chrome						New Sizes	
Size H x W	Watts	BTU	Element Output	Element Type	Code	£ Ex VAT	£ Inc VAT
1800 x 280mm	320	1092	N/A	N/A	89.0004	368.00	441.60
1800 x 350mm	423	1444	N/A	N/A	89.1623	398.00	477.60
1800 x 420mm	533	1819	N/A	N/A	89.0008	426.00	511.20
1800 x 490mm	644	2198	N/A	N/A	89.1627	473.00	567.60
1800 x 560mm	760	2594	N/A	N/A	89.1631	521.00	625.20
1800 x 630mm	890	3037	N/A	N/A	89.0012	563.00	675.60

TECHNICAL INFORMATION

All measurements in Height by Width. Heat output based on ▲T60°C. For matching valves see pages 731-737. For indirect heating systems only. Tappings are the width of the rail and approx. 52mm off the wall. Price includes radiator and wall fixing sets, valves extra.

Vertical Tunstall Towel Hangers New Sizes

Towel Hanger - Matt White			
Size	Code	£ Ex VAT	£ Inc VAT
280mm	101.0028	57.00	68.40
350mm	89.1741	61.00	73.20
420mm	101.0032	69.00	82.80
490mm	89.1742	73.00	87.60
560mm	89.1743	76.00	91.20
630mm	101.0036	80.00	96.00

Towel Hanger - Matt Anthracite			
Size	Code	£ Ex VAT	£ Inc VAT
280mm	101.0029	57.00	68.40
350mm	89.1744	61.00	73.20
420mm	101.0033	69.00	82.80
490mm	89.1745	73.00	87.60
560mm	89.1746	76.00	91.20
630mm	101.0037	80.00	96.00

Towel Hanger - Matt Black			
Size	Code	£ Ex VAT	£ Inc VAT
280mm	101.0030	57.00	68.40
350mm	89.1747	61.00	73.20
420mm	101.0034	69.00	82.80
490mm	89.1748	73.00	87.60
560mm	89.1749	76.00	91.20
630mm	101.0038	80.00	96.00

Towel Hanger - Chrome			
Size	Code	£ Ex VAT	£ Inc VAT
280mm	101.0031	61.00	73.20
350mm	89.1750	68.00	81.60
420mm	101.0035	75.00	90.00
490mm	89.1751	80.00	96.00
560mm	89.1752	82.00	98.40
630mm	101.0039	85.00	102.00

The Vertical Tunstall Towel Hangers can be fitted on both sides of the radiator (as left hand or right hand). Remember, these towel hangers must be fitted before installing on the wall. **Must be fitted before installation!**

Designer Range

TUNSTALL HORIZONTAL

Including new sizes



Pictured 89.0020 Matt Anthracite

Bar Dimensions (mm)

Vertical Bars 50 x 25mm

The elliptical shape of these tubes will provide a stylish focus to any room. Available in three colours.

FEATURES

- 50 x 25mm vertical bars
- Comes with pre-fitted flow diverter
- Tested to BS EN 442 standards
- 5 Year manufacturer's warranty*
- Not suitable for elements
- * With conditions

Technical Tables & Drawings
Page 770-771



TECHNICAL INFORMATION

All measurements in Height by Width. Heat output based on $\Delta T60^{\circ}\text{C}$. For matching valves see pages 731-737. For indirect heating systems only. Tappings are the width of the rail and approx. 52mm off the wall. Price includes radiator and wall fixing sets, valves extra.

Tunstall Horizontal Radiators - Matt White						New Sizes	
Size H x W	Watts	BTU	Element Output	Element Type	Code	£ Ex VAT	£ Inc VAT
600 x 471mm	399	1362	N/A	N/A	89.1632	130.00	156.00
600 x 589mm	509	1737	N/A	N/A	89.0013	145.00	174.00
600 x 648mm	565	1928	N/A	N/A	89.1635	159.00	190.80
600 x 825mm	742	2532	N/A	N/A	89.0016	197.00	236.40
600 x 1002mm	928	3167	N/A	N/A	89.0019	240.00	288.00
600 x 1061mm	1003	3423	N/A	N/A	89.1638	258.00	309.60
600 x 1179mm	1123	3832	N/A	N/A	89.0022	281.00	337.20

Tunstall Horizontal Radiators - Matt Anthracite						New Sizes	
Size H x W	Watts	BTU	Element Output	Element Type	Code	£ Ex VAT	£ Inc VAT
600 x 471mm	399	1362	N/A	N/A	89.1633	130.00	156.00
600 x 589mm	509	1737	N/A	N/A	89.0014	145.00	174.00
600 x 648mm	565	1928	N/A	N/A	89.1636	159.00	190.80
600 x 825mm	742	2532	N/A	N/A	89.0017	197.00	236.40
600 x 1002mm	928	3167	N/A	N/A	89.0020	240.00	288.00
600 x 1061mm	1003	3423	N/A	N/A	89.1639	258.00	309.60
600 x 1179mm	1123	3832	N/A	N/A	89.0023	281.00	337.20

Tunstall Horizontal Radiators - Matt Black						New Sizes	
Size H x W	Watts	BTU	Element Output	Element Type	Code	£ Ex VAT	£ Inc VAT
600 x 471mm	399	1362	N/A	N/A	89.1634	130.00	156.00
600 x 589mm	509	1737	N/A	N/A	89.0015	145.00	174.00
600 x 648mm	565	1928	N/A	N/A	89.1637	159.00	190.80
600 x 825mm	742	2532	N/A	N/A	89.0018	197.00	236.40
600 x 1002mm	928	3167	N/A	N/A	89.0021	240.00	288.00
600 x 1061mm	1003	3423	N/A	N/A	89.1640	258.00	309.60
600 x 1179mm	1123	3832	N/A	N/A	89.0024	281.00	337.20



Round Vent Caps
Page 741



Horizontal Tunstall Towel Hangers

Towel Hanger - Matt White			
Size	Code	£ Ex VAT	£ Inc VAT
330mm	101.0040	66.00	79.20
589mm	101.0044	80.00	96.00

Towel Hanger - Matt Anthracite			
Size	Code	£ Ex VAT	£ Inc VAT
330mm	101.0041	66.00	79.20
589mm	101.0045	80.00	96.00

Towel Hanger - Matt Black			
Size	Code	£ Ex VAT	£ Inc VAT
330mm	101.0042	66.00	79.20
589mm	101.0046	80.00	96.00

Towel Hanger - Chrome			
Size	Code	£ Ex VAT	£ Inc VAT
330mm	101.0043	66.00	79.20
589mm	101.0047	85.00	102.00

The Horizontal Tunstall Towel Hangers can be fitted on both sides of the radiator (as left hand or right hand). Remember, these towel hangers must be fitted before installing on the wall. **Must be fitted before installation!**

Designer Range

Tunstall Towel Rails - Matt White							
Size H x W	Watts	BTU	Element Output	Element Type	Code	£ Ex VAT	£ Inc VAT
560 x 1000mm	690	2355	300W	A, A+, D, E, F, G	89.0025	244.00	292.80
800 x 500mm	454	1550	150W	A, A+, D, E, F, G	89.0029	169.00	202.80
800 x 600mm	524	1788	300W	A, A+, D, E, F, G	89.0041	185.00	222.00
1200 x 500mm	663	2263	300W	A, A+, D, E, F, G	89.0033	255.00	306.00
1200 x 600mm	766	2614	450W	A, A+, D, E, F, G	89.0045	281.00	337.20
1600 x 500mm	879	3000	450W	A, A+, D, E, F, G	89.0037	314.00	376.80
1600 x 600mm	1015	3464	600W	A, A+, D, E, F, G	89.0049	355.00	426.00

Tunstall Towel Rails - Matt Anthracite							
Size H x W	Watts	BTU	Element Output	Element Type	Code	£ Ex VAT	£ Inc VAT
560 x 1000mm	690	2355	300W	A, A+, D, E, F, G	89.0026	244.00	292.80
800 x 500mm	454	1550	150W	A, A+, D, E, F, G	89.0030	169.00	202.80
800 x 600mm	524	1788	300W	A, A+, D, E, F, G	89.0042	185.00	222.00
1200 x 500mm	663	2263	300W	A, A+, D, E, F, G	89.0034	255.00	306.00
1200 x 600mm	766	2614	450W	A, A+, D, E, F, G	89.0046	281.00	337.20
1600 x 500mm	879	3000	450W	A, A+, D, E, F, G	89.0038	314.00	376.80
1600 x 600mm	1015	3464	600W	A, A+, D, E, F, G	89.0050	355.00	426.00

Tunstall Towel Rails - Matt Black							
Size H x W	Watts	BTU	Element Output	Element Type	Code	£ Ex VAT	£ Inc VAT
560 x 1000mm	690	2355	300W	A, A+, D, E, F, G	89.0027	244.00	292.80
800 x 500mm	454	1550	150W	A, A+, D, E, F, G	89.0031	169.00	202.80
800 x 600mm	524	1788	300W	A, A+, D, E, F, G	89.0043	185.00	222.00
1200 x 500mm	663	2263	300W	A, A+, D, E, F, G	89.0035	255.00	306.00
1200 x 600mm	766	2614	450W	A, A+, D, E, F, G	89.0047	281.00	337.20
1600 x 500mm	879	3000	450W	A, A+, D, E, F, G	89.0039	314.00	376.80
1600 x 600mm	1015	3464	600W	A, A+, D, E, F, G	89.0051	355.00	426.00

Tunstall Towel Rails - Chrome							
Size H x W	Watts	BTU	Element Output	Element Type	Code	£ Ex VAT	£ Inc VAT
560 x 1000mm	431	1471	150W	A, A+, D, E, F, G	89.0028	358.00	429.60
800 x 500mm	284	970	150W	A, A+, D, E, F, G	89.0032	307.00	368.40
800 x 600mm	326	1113	150W	A, A+, D, E, F, G	89.0044	339.00	406.80
1200 x 500mm	431	1471	150W	A, A+, D, E, F, G	89.0036	367.00	440.40
1200 x 600mm	493	1683	300W	A, A+, D, E, F, G	89.0048	402.00	482.40
1600 x 500mm	579	1976	300W	A, A+, D, E, F, G	89.0040	462.00	554.40
1600 x 600mm	661	2256	300W	A, A+, D, E, F, G	89.0052	508.00	609.60

TECHNICAL INFORMATION

All measurements in Height by Width. Heat output based on $\Delta T60^{\circ}\text{C}$. Radiators that are electric only are restricted to the heat output of the elements. Element size can be increased to full capacity of rail if using element type D, E, F or G. For element types see pages 718-729. For matching valves see pages 731-737. For indirect heating systems only. Tappings are approx. 46mm less than the width of the rail and approx. 83mm off the wall. Price includes radiator and wall fixing sets, valves extra.

Robe Hooks
Page 738

Round Vent Caps
Page 741

Warranty
5
Year

Heating

All Electric

Dual-Fuel

Pictured 89.0025
Matt White

560x1000mm size is the only horizontal Tunstall Towel Rail

TUNSTALL TOWEL RAILS

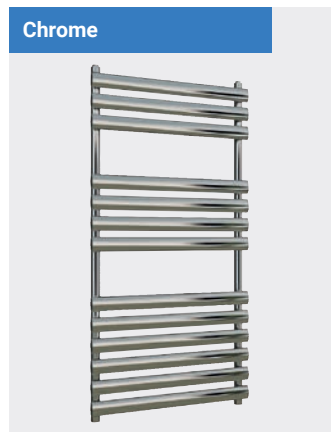
Pictured 89.0048 Chrome

Horizontal Bars 50 x 25mm

Bar Dimensions (mm)

- FEATURES**
- 50 x 25mm horizontal bars
 - Tested to BS EN 442 standards
 - 5 Year manufacturer's warranty*
 - Stunning chrome finish option available
 - * With conditions

Technical Tables & Drawings
Page 770-771



Designer Range

TUNSTALL DOUBLE VERTICAL

Including new sizes & new colour



Pictured 81.0142 Matt White

Bar Dimensions (mm)

Vertical Bars 50 x 25mm



Pictured 81.0159 Matt Anthracite

With its double vertical profile construction, Tunstall Double will create a fresh new look for any room in the house. Available in two colour finishes.

FEATURES

- 50 x 25mm vertical bars
- Double vertical profile construction
- Tested to BS EN 442 standards
- 5 Year manufacturer's warranty*
- Not suitable for elements
- * With conditions

Technical Tables & Drawings

Page 770-771



TECHNICAL INFORMATION

All measurements in Height by Width. Heat output based on $\Delta T60^{\circ}\text{C}$. For matching valves see pages 731-737. For indirect heating systems only. Tappings are the width of the rail and approx. 65mm off the wall. Projection from wall 104mm. Price includes radiator and wall fixing sets, valves extra.



Double profile construction

Warranty

5

Year

Heating

Round Vent Caps

Page 741



Tunstall Double Vertical Radiators - Matt White							New Sizes	
Size H x W	Watts	BTU	Element Output	Element Type	Code	£ Ex VAT	£ Inc VAT	
1800 x 280mm	952	3249	N/A	N/A	81.0140	235.00	282.00	
1800 x 350mm	1190	4058	N/A	N/A	81.0190	296.00	355.20	
1800 x 420mm	1429	4877	N/A	N/A	81.0141	350.00	420.00	
1800 x 490mm	1666	5681	N/A	N/A	81.0193	396.00	475.20	
1800 x 560mm	1904	6493	N/A	N/A	81.0196	461.00	553.20	
1800 x 630mm	2142	7311	N/A	N/A	81.0142	525.00	630.00	

Tunstall Double Vertical Radiators - Matt Anthracite							New Sizes	
Size H x W	Watts	BTU	Element Output	Element Type	Code	£ Ex VAT	£ Inc VAT	
1800 x 280mm	952	3249	N/A	N/A	81.0158	239.00	286.80	
1800 x 350mm	1190	4058	N/A	N/A	81.0191	304.00	364.80	
1800 x 420mm	1429	4877	N/A	N/A	81.0159	359.00	430.80	
1800 x 490mm	1666	5681	N/A	N/A	81.0194	404.00	484.80	
1800 x 560mm	1904	6493	N/A	N/A	81.0197	470.00	564.00	
1800 x 630mm	2142	7311	N/A	N/A	81.0160	536.00	643.20	

Tunstall Double Vertical Radiators - Matt Black							New Colour	
Size H x W	Watts	BTU	Element Output	Element Type	Code	£ Ex VAT	£ Inc VAT	
1800 x 280mm	952	3249	N/A	N/A	81.0172	239.00	286.80	
1800 x 350mm	1190	4058	N/A	N/A	81.0192	304.00	364.80	
1800 x 420mm	1429	4877	N/A	N/A	81.0173	359.00	430.80	
1800 x 490mm	1666	5681	N/A	N/A	81.0195	404.00	484.80	
1800 x 560mm	1904	6493	N/A	N/A	81.0198	470.00	564.00	
1800 x 630mm	2142	7311	N/A	N/A	81.0174	536.00	643.20	

Designer Range

Including new sizes & new colour

Bar Dimensions (mm)

Vertical Bars 50 x 25mm



Pictured 81.0137 Matt White



Pictured 81.0156 Matt Anthracite



Pictured 81.0175 Matt Black

TUNSTALL DOUBLE HORIZONTAL

With its double vertical profile construction, Tunstall Double will provide a stylish focus to any room in the house. Available in two colour finishes.

FEATURES

- 50 x 25mm vertical bars
- Double vertical profile construction
- Tested to BS EN 442 standards
- 5 Year manufacturer's warranty*
- Not suitable for elements
- * With conditions

Technical Tables & Drawings
Page 772-773



TECHNICAL INFORMATION

All measurements in Height by Width. Heat output based on $\Delta T60^{\circ}\text{C}$. For matching valves see pages 731-737. For indirect heating systems only. Tappings are the width of the rail and approx. 65mm off the wall. Projection from wall 104mm. Price includes radiator and wall fixing sets, valves extra.

Tunstall Double Horizontal Radiators - Matt White						New Sizes	
Size H x W	Watts	BTU	Element Output	Element Type	Code	£ Ex VAT	£ Inc VAT
600 x 471mm	734	2503	N/A	N/A	81.0199	205.00	246.00
600 x 589mm	818	2792	N/A	N/A	81.0136	255.00	306.00
600 x 648mm	1010	3444	N/A	N/A	81.0202	292.00	350.40
600 x 825mm	1145	3908	N/A	N/A	81.0137	357.00	428.40
600 x 1002mm	1391	4747	N/A	N/A	81.0138	431.00	517.20
600 x 1061mm	1652	5633	N/A	N/A	81.0205	468.00	561.60
600 x 1179mm	1836	6266	N/A	N/A	81.0139	505.00	606.00

Tunstall Double Horizontal Radiators - Matt Anthracite						New Sizes	
Size H x W	Watts	BTU	Element Output	Element Type	Code	£ Ex VAT	£ Inc VAT
600 x 471mm	734	2503	N/A	N/A	81.0200	213.00	255.60
600 x 589mm	818	2792	N/A	N/A	81.0154	261.00	313.20
600 x 648mm	1010	3444	N/A	N/A	81.0203	300.00	360.00
600 x 825mm	1145	3908	N/A	N/A	81.0155	362.00	434.40
600 x 1002mm	1391	4747	N/A	N/A	81.0156	438.00	525.60
600 x 1061mm	1652	5633	N/A	N/A	81.0206	478.00	573.60
600 x 1179mm	1836	6266	N/A	N/A	81.0157	517.00	620.40

Tunstall Double Horizontal Radiators - Matt Black						New Colour	
Size H x W	Watts	BTU	Element Output	Element Type	Code	£ Ex VAT	£ Inc VAT
600 x 471mm	734	2503	N/A	N/A	81.0201	213.00	255.60
600 x 589mm	818	2792	N/A	N/A	81.0175	261.00	313.20
600 x 648mm	1010	3444	N/A	N/A	81.0204	300.00	360.00
600 x 825mm	1145	3908	N/A	N/A	81.0176	362.00	434.40
600 x 1002mm	1391	4747	N/A	N/A	81.0177	438.00	525.60
600 x 1061mm	1652	5633	N/A	N/A	81.0207	478.00	573.60
600 x 1179mm	1836	6266	N/A	N/A	81.0178	517.00	620.40



Double profile construction

Multi-Purpose Towel Hangers

Page 740



Warranty

5
Year

Heating

Round Vent Caps

Page 741



Designer Range

TUNSTALL DOUBLE TOWEL RAIL

Including new sizes & new colour



Warranty
5
Year

Heating

Dual-Fuel

Vertical Sizes (x6)

- H800 x W500/600
- H1200 x W500/600
- H1600 x W500/600

Horizontal Size (x1)

H560 x W1000

Pictured 81.0149 Matt White

Double horizontal profiles in elliptical shape of this towel rail will warm your towels and also your bathroom. Available in two colour options.

FEATURES

- 50 x 25mm horizontal bars
- Double horizontal profile construction
- Tested to BS EN 442 standards
- 5 Year manufacturer's warranty*
- Can be single, dual fuel or all electric
- * With conditions

Technical Tables & Drawings
Page 772-773



Tunstall Double Towel Rails - Matt White							
Size H x W	Watts	BTU	Element Output	Element Type	Code	£ Ex VAT	£ Inc VAT
560 x 1000mm	1060	3618	600W	A, A+, D, E, F, G	81.0149	344.00	412.80
800 x 500mm	620	2116	300W	A, A+, D, E, F, G	81.0143	267.00	320.40
800 x 600mm	742	2532	450W	A, A+, D, E, F, G	81.0146	284.00	340.80
1200 x 500mm	893	3048	450W	A, A+, D, E, F, G	81.0144	381.00	457.20
1200 x 600mm	1072	3659	600W	A, A+, D, E, F, G	81.0147	410.00	492.00
1600 x 500mm	1170	3993	600W	A, A+, D, E, F, G	81.0145	499.00	598.80
1600 x 600mm	1405	4795	750W	A, A+, D, E, F, G	81.0148	535.00	642.00

Tunstall Double Towel Rails - Matt Anthracite							
Size H x W	Watts	BTU	Element Output	Element Type	Code	£ Ex VAT	£ Inc VAT
560 x 1000mm	1060	3618	600W	A, A+, D, E, F, G	81.0167	344.00	412.80
800 x 500mm	620	2116	300W	A, A+, D, E, F, G	81.0161	267.00	320.40
800 x 600mm	742	2532	450W	A, A+, D, E, F, G	81.0164	284.00	340.80
1200 x 500mm	893	3048	450W	A, A+, D, E, F, G	81.0162	381.00	457.20
1200 x 600mm	1072	3659	600W	A, A+, D, E, F, G	81.0165	410.00	492.00
1600 x 500mm	1170	3993	600W	A, A+, D, E, F, G	81.0163	499.00	598.80
1600 x 600mm	1405	4795	750W	A, A+, D, E, F, G	81.0166	535.00	642.00

Tunstall Double Towel Rails - Matt Black							New Colour
Size H x W	Watts	BTU	Element Output	Element Type	Code	£ Ex VAT	£ Inc VAT
560 x 1000mm	1060	3618	600W	A, A+, D, E, F, G	81.0179	344.00	412.80
800 x 500mm	620	2116	300W	A, A+, D, E, F, G	81.0180	267.00	320.40
800 x 600mm	742	2532	450W	A, A+, D, E, F, G	81.0181	284.00	340.80
1200 x 500mm	893	3048	450W	A, A+, D, E, F, G	81.0182	381.00	457.20
1200 x 600mm	1072	3659	600W	A, A+, D, E, F, G	81.0183	410.00	492.00
1600 x 500mm	1170	3993	600W	A, A+, D, E, F, G	81.0184	499.00	598.80
1600 x 600mm	1405	4795	750W	A, A+, D, E, F, G	81.0185	535.00	642.00

TECHNICAL INFORMATION

All measurements in Height by Width. Heat output based on ▲T60°C. Radiators that are electric only are restricted to the heat output of the elements. Element size can be increased to full capacity of rail if using element type D, E, F or G. For element types see pages 718-729. For matching valves see pages 731-737. For indirect heating systems only. Tappings are approx. 46mm less than the width of the rail and approx. 70-75mm off the wall. Price includes radiator and wall fixing sets, valves extra.



Pictured 81.0162 Matt Anthracite



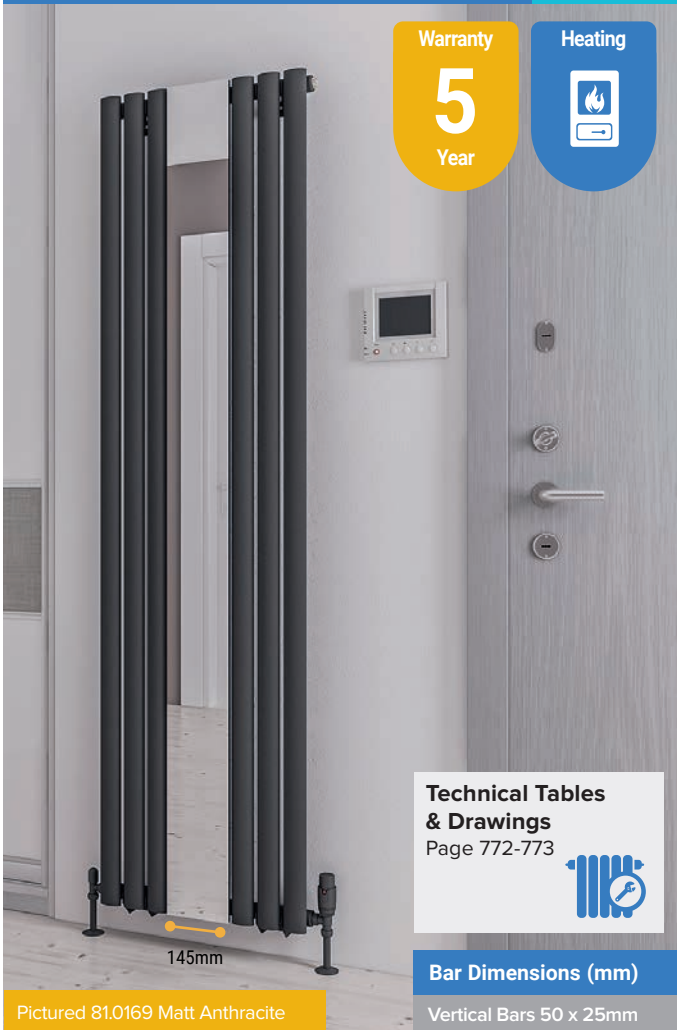
Double profile construction

Round Vent Caps
Page 741



Designer Range

TUNSTALL MIRROR Including new colour TUNSTALL DOUBLE MIRROR



Profiles in elliptical shape of this radiator is in perfect harmony with the mirror placed in the middle. Available in two colour options.

FEATURES

- Single vertical profile construction, mirror width 145mm
- Tested to BS EN 442 standards
- 5 Year manufacturer's warranty*
- Not suitable for elements
- * With conditions

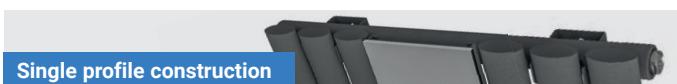
Tunstall Mirror Radiators - Matt White							
Size H x W	Watts	BTU	Element Output	Element Type	Code	£ Ex VAT	£ Inc VAT
1800 x 380mm	705	2406	N/A	N/A	81.0150	282.00	338.40
1800 x 500mm	1056	3604	N/A	N/A	81.0151	416.00	499.20

Tunstall Mirror Radiators - Matt Anthracite							
Size H x W	Watts	BTU	Element Output	Element Type	Code	£ Ex VAT	£ Inc VAT
1800 x 380mm	705	2406	N/A	N/A	81.0168	282.00	338.40
1800 x 500mm	1056	3604	N/A	N/A	81.0169	416.00	499.20

Tunstall Mirror Radiators - Matt Black							New Colour
Size H x W	Watts	BTU	Element Output	Element Type	Code	£ Ex VAT	£ Inc VAT
1800 x 380mm	705	2406	N/A	N/A	81.0186	282.00	338.40
1800 x 500mm	1056	3604	N/A	N/A	81.0187	416.00	499.20

TECHNICAL INFORMATION

All measurements in Height by Width. Heat output based on ▲T60°C. For matching valves see pages 731-737. For indirect heating systems only. Tappings are the width of the rail and approx. 40mm off the wall. Projection from wall 79mm. Mirror width 145mm. Price includes radiator and wall fixing sets, valves extra.



Single profile construction

Profiles in elliptical shape of this radiator is in perfect harmony with the mirror placed in the middle. Available in two colour options.

FEATURES

- Double vertical profile construction, mirror width 145mm
- Tested to BS EN 442 standards
- 5 Year manufacturer's warranty*
- Not suitable for elements
- * With conditions

Tunstall Double Mirror Radiators - Matt White							
Size H x W	Watts	BTU	Element Output	Element Type	Code	£ Ex VAT	£ Inc VAT
1800 x 380mm	1102	3761	N/A	N/A	81.0152	340.00	408.00
1800 x 500mm	1654	5645	N/A	N/A	81.0153	505.00	606.00

Tunstall Double Mirror Radiators - Matt Anthracite							
Size H x W	Watts	BTU	Element Output	Element Type	Code	£ Ex VAT	£ Inc VAT
1800 x 380mm	1102	3761	N/A	N/A	81.0170	340.00	408.00
1800 x 500mm	1654	5645	N/A	N/A	81.0171	505.00	606.00

Tunstall Double Mirror Radiators - Matt Black							New Colour
Size H x W	Watts	BTU	Element Output	Element Type	Code	£ Ex VAT	£ Inc VAT
1800 x 380mm	1102	3761	N/A	N/A	81.0188	340.00	408.00
1800 x 500mm	1654	5645	N/A	N/A	81.0189	505.00	606.00

TECHNICAL INFORMATION

All measurements in Height by Width. Heat output based on ▲T60°C. For matching valves see pages 731-737. For indirect heating systems only. Tappings are the width of the rail and approx. 65mm off the wall. Projection from wall 104mm. Mirror width 145mm. Price includes radiator and wall fixing sets, valves extra.



Double profile construction

Designer Range

DEDDINGTON VERTICAL



Pictured 89.0795 Chrome with 89.0848 Towel Hanger x2



Bar Dimensions (mm)

Vertical Bars 70 x 11mm

Pictured 89.1522 Matt Cobalt Blue

Flat and broad vertical profiles meet the perfect craftsmanship. This vertical model is 1800mm high and available in 5 widths. (3 widths available for Matt Cobalt Blue colour) Towel hangers are same colours and widths as the radiators. (except Matt Cobalt Blue colour)

Deddington Vertical Radiators - Chrome							
Size H x W	Watts	BTU	Element Output	Element Type	Code	£ Ex VAT	£ Inc VAT
1800 x 310mm	493	1683	N/A	N/A	89.0794	458.00	549.60
1800 x 390mm	611	2085	N/A	N/A	89.1523	548.00	657.60
1800 x 470mm	730	2491	N/A	N/A	89.0795	653.00	783.60
1800 x 550mm	846	2887	N/A	N/A	89.1524	721.00	865.20
1800 x 630mm	962	3283	N/A	N/A	89.0796	806.00	967.20

Deddington Vertical Radiators - Matt Cobalt Blue							
Size H x W	Watts	BTU	Element Output	Element Type	Code	£ Ex VAT	£ Inc VAT
1800 x 310mm	812	2771	N/A	N/A	89.1520	362.00	434.40
1800 x 470mm	1231	4201	N/A	N/A	89.1521	516.00	619.20
1800 x 630mm	1649	5627	N/A	N/A	89.1522	636.00	763.20

Deddington Towel Hangers - Chrome			
Description	Code	£ Ex VAT	£ Inc VAT
310mm	89.0847	59.00	70.80
390mm	89.1540	63.00	75.60
470mm	89.0848	66.00	79.20
550mm	89.1541	69.00	82.80
630mm	89.0849	72.00	86.40

*Towel hangers are only compatible with Deddington radiators. Radiators projection from wall 160mm when towel hanger is fitted. Max of 2 towel hangers can be fitted.

Must be fitted before installation.



Warranty

5

Year

Heating

FEATURES

- 70 x 11mm vertical bars
- Single profile construction
- Tested to BS EN 442 standards
- 5 Year manufacturer's warranty*
- Not suitable for elements
- * With conditions

Technical Tables & Drawings

Page 772-773



TECHNICAL INFORMATION

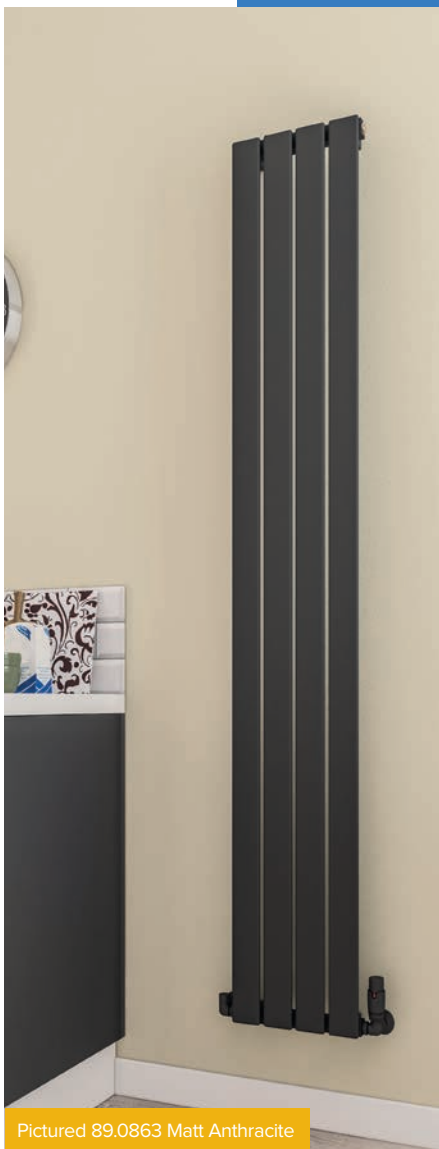
All measurements in Height by Width. Heat output based on $\Delta T60^{\circ}C$. For matching valves see pages 731-737. For indirect heating systems only. Comes with built-in flow diverter. Tappings are the width of the rail and approx. 60mm off the wall. Projection from wall 100mm. Price includes radiator and wall fixing sets, valves extra.

Designer Range

DEDDINGTON VERTICAL



Pictured 89.0852 Gloss White with 89.0878 Towel Hanger x1



Pictured 89.0863 Matt Anthracite



Pictured 89.1516 Matt Black with 89.1536 Towel Hangers x2

Deddington Vertical Radiators - Gloss White					
Size H x W	Watts	BTU	Code	£ Ex VAT	£ Inc VAT
1800 x 310mm	812	2771	89.0850	362.00	434.40
1800 x 390mm	1021	3484	89.1511	442.00	530.40
1800 x 470mm	1231	4201	89.0851	516.00	619.20
1800 x 550mm	1440	4914	89.1512	578.00	693.60
1800 x 630mm	1649	5627	89.0852	636.00	763.20

Deddington Vertical Radiators - Matt Anthracite					
Size H x W	Watts	BTU	Code	£ Ex VAT	£ Inc VAT
1800 x 310mm	812	2771	89.0863	362.00	434.40
1800 x 390mm	1021	3484	89.1513	442.00	530.40
1800 x 470mm	1231	4201	89.0864	516.00	619.20
1800 x 550mm	1440	4914	89.1514	578.00	693.60
1800 x 630mm	1649	5627	89.0865	636.00	763.20

Deddington Vertical Radiators - Matt Black					
Size H x W	Watts	BTU	Code	£ Ex VAT	£ Inc VAT
1800 x 310mm	812	2771	89.1515	362.00	434.40
1800 x 390mm	1021	3484	89.1516	442.00	530.40
1800 x 470mm	1231	4201	89.1517	516.00	619.20
1800 x 550mm	1440	4914	89.1518	578.00	693.60
1800 x 630mm	1649	5627	89.1519	636.00	763.20

Deddington Towel Hangers - Gloss White			
Description	Code	£ Ex VAT	£ Inc VAT
310mm	89.0876	57.00	68.40
390mm	89.1531	59.00	70.80
470mm	89.0877	61.00	73.20
550mm	89.1532	64.00	76.80
630mm	89.0878	68.00	81.60

Deddington Towel Hangers - Matt Anthracite			
Description	Code	£ Ex VAT	£ Inc VAT
310mm	89.0879	57.00	68.40
390mm	89.1533	59.00	70.80
470mm	89.0880	61.00	73.20
550mm	89.1534	64.00	76.80
630mm	89.0881	68.00	81.60

Deddington Towel Hangers - Matt Black			
Description	Code	£ Ex VAT	£ Inc VAT
310mm	89.1535	57.00	68.40
390mm	89.1536	59.00	70.80
470mm	89.1537	61.00	73.20
550mm	89.1538	64.00	76.80
630mm	89.1539	68.00	81.60

*Towel hangers are only compatible with Deddington radiators. Radiators projection from wall 160mm when towel hanger is fitted. Max of 2 towel hangers can be fitted.
Must be fitted before installation.

*Towel hangers are only compatible with Deddington radiators. Radiators projection from wall 160mm when towel hanger is fitted. Max of 2 towel hangers can be fitted.
Must be fitted before installation.

*Towel hangers are only compatible with Deddington radiators. Radiators projection from wall 160mm when towel hanger is fitted. Max of 2 towel hangers can be fitted.
Must be fitted before installation.



Designer Range

DEDDINGTON HORIZONTAL



Pictured 89.0800 Chrome

Rear fixing metal wall brackets

Warranty
5
Year

Heating

Flat and broad vertical profiles meet the perfect craftsmanship. This horizontal model is available in 600mm height and 4 widths. This beautifully finished radiator will have all the attention in the room.

FEATURES

- 70 x 11mm vertical bars
- Rear fixing metal wall brackets
- Single profile construction
- Tested to BS EN 442 standards
- 5 Year manufacturer's warranty*
- Not suitable for elements
- * With conditions

Technical Tables
& Drawings
Page 774-775

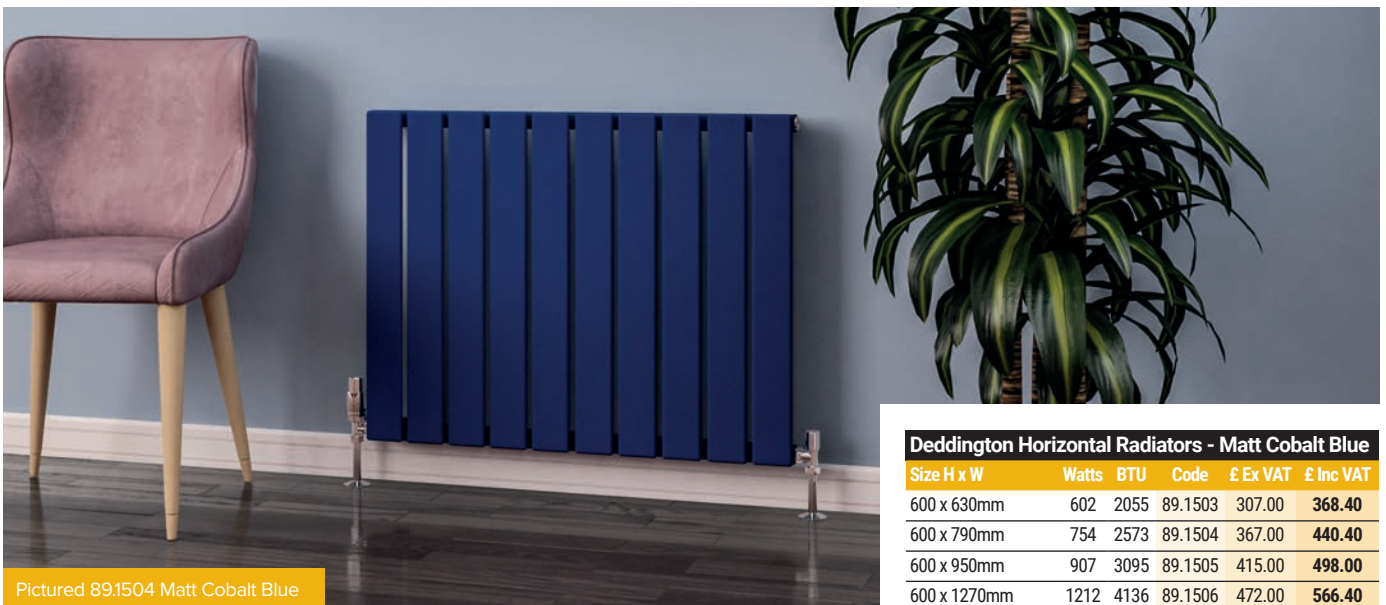


Deddington Horizontal Radiators - Chrome

Size H x W	Watts	BTU	Element Output	Element Type	Code	£ Ex VAT	£ Inc VAT
600 x 390mm	249	850	N/A	N/A	89.1507	259.00	310.80
600 x 470mm	296	1010	N/A	N/A	89.1508	303.00	363.60
600 x 550mm	343	1171	N/A	N/A	89.1509	344.00	412.80
600 x 630mm	390	1331	N/A	N/A	89.0797	389.00	466.80
600 x 790mm	483	1648	N/A	N/A	89.0798	465.00	558.00
600 x 950mm	574	1959	N/A	N/A	89.0799	526.00	631.20
600 x 1110mm	664	2266	N/A	N/A	89.1510	564.00	676.80
600 x 1270mm	755	2577	N/A	N/A	89.0800	597.00	716.40

TECHNICAL INFORMATION

All measurements in Height by Width. Heat output based on $\Delta T60^{\circ}\text{C}$. For matching valves see pages 731-737. For indirect heating systems only. Comes with built-in flow diverter. Tappings are the width of the rail and approx. 60mm off the wall. Projection from wall 100mm. Price includes radiator and wall fixing sets, valves extra.



Pictured 89.1504 Matt Cobalt Blue

Deddington Horizontal Radiators - Matt Cobalt Blue

Size H x W	Watts	BTU	Code	£ Ex VAT	£ Inc VAT
600 x 630mm	602	2055	89.1503	307.00	368.40
600 x 790mm	754	2573	89.1504	367.00	440.40
600 x 950mm	907	3095	89.1505	415.00	498.00
600 x 1270mm	1212	4136	89.1506	472.00	566.40

Designer Range

DEDDINGTON HORIZONTAL

Bar Dimensions (mm)

Vertical Bars 70 x 11mm



Pictured 89.0855 Gloss White

Deddington Horizontal Radiators - Gloss White

Size H x W	Watts	BTU	Code	£ Ex VAT	£ Inc VAT
600 x 390mm	373	1273	89.1491	206.00	247.20
600 x 470mm	449	1532	89.1492	242.00	290.40
600 x 550mm	525	1792	89.1493	275.00	330.00
600 x 630mm	602	2055	89.0853	307.00	368.40
600 x 790mm	754	2573	89.0854	367.00	440.40
600 x 950mm	907	3095	89.0855	415.00	498.00
600 x 1110mm	1059	3614	89.1494	451.00	541.20
600 x 1270mm	1212	4136	89.0856	472.00	566.40



Pictured 89.0867 Matt Anthracite

Deddington Horizontal Radiators - Matt Anthracite

Size H x W	Watts	BTU	Code	£ Ex VAT	£ Inc VAT
600 x 390mm	373	1273	89.1495	206.00	247.20
600 x 470mm	449	1532	89.1496	242.00	290.40
600 x 550mm	525	1792	89.1497	275.00	330.00
600 x 630mm	602	2055	89.0866	307.00	368.40
600 x 790mm	754	2573	89.0867	367.00	440.40
600 x 950mm	907	3095	89.0868	415.00	498.00
600 x 1110mm	1059	3614	89.1498	451.00	541.20
600 x 1270mm	1212	4136	89.0869	472.00	566.40



Pictured 89.1499 Matt Black

Magnetic Towel Hangers Page 587



Deddington Horizontal Radiators - Matt Black

Size H x W	Watts	BTU	Code	£ Ex VAT	£ Inc VAT
600 x 630mm	602	2055	89.1499	307.00	368.40
600 x 790mm	754	2573	89.1500	367.00	440.40
600 x 950mm	907	3095	89.1501	415.00	498.00
600 x 1270mm	1212	4136	89.1502	472.00	566.40

Designer Range

DEDDINGTON TOWEL RAILS



Pictured 89.0804 Chrome

Rear fixing metal wall brackets

A designer towel rail in 5 finishes and with broad horizontal bars that is available in 3 heights and 2 widths.

FEATURES

- 70 x 11mm horizontal bars
- Rear fixing metal wall brackets
- Stunning chrome surface
- Single profile construction
- Tested to BS EN 442 standards
- 5 Year manufacturer's warranty*
- Can be single, dual fuel or all electric
- * With conditions

**Technical Tables
& Drawings**
Page 774-775



Pictured 89.0805 Chrome

Warranty

5

Year

Heating

All Electric

Dual-Fuel

Deddington Towel Rails - Chrome

Size H x W	Watts	BTU	Element Output	Element Type	Code	£ Ex VAT	£ Inc VAT
800 x 500mm	320	1092	150W	A, A+, D, E, F, G	89.0801	346.00	415.20
800 x 600mm	368	1256	150W	A, A+, D, E, F, G	89.0802	381.00	457.20
1200 x 500mm	457	1560	300W	A, A+, D, E, F, G	89.0803	451.00	541.20
1200 x 600mm	525	1792	300W	A, A+, D, E, F, G	89.0804	495.00	594.00
1800 x 500mm	646	2205	300W	A, A+, D, E, F, G	89.0805	643.00	771.60
1800 x 600mm	743	2536	450W	A, A+, D, E, F, G	89.0806	707.00	848.40

TECHNICAL INFORMATION

All measurements in Height by Width. Heat output based on $\Delta T60^{\circ}\text{C}$. Radiators that are electric only are restricted to the heat output of the elements. Element size can be increased to full capacity of rail if using element type D, E, F or G. For element types see pages 718-729. For matching valves see pages 731-737. For indirect heating systems only. Tappings are 30mm less than the width of the rail and approx. 60mm off the wall. Projection from wall 100mm. Price includes radiator and wall fixing sets, valves extra.

Round Vent Caps
Page 741



Designer Range



Pictured 89.1528 Matt Cobalt Blue



Pictured 89.0871 Matt Anthracite

Deddington Towel Rails - Gloss White

Size H x W	Watts	BTU	Element Output	Element Type	Code	£ Ex VAT	£ Inc VAT
800 x 500mm	509	1737	150W	A, A+, D, E, F, G	89.0857	296.00	355.20
800 x 600mm	591	2017	300W	A, A+, D, E, F, G	89.0858	326.00	391.20
1200 x 500mm	725	2474	300W	A, A+, D, E, F, G	89.0859	384.00	460.80
1200 x 600mm	843	2877	300W	A, A+, D, E, F, G	89.0860	423.00	507.60
1800 x 500mm	1031	3518	450W	A, A+, D, E, F, G	89.0861	548.00	657.60
1800 x 600mm	1199	4091	450W	A, A+, D, E, F, G	89.0862	603.00	723.60

Deddington Towel Rails - Matt Anthracite

Size H x W	Watts	BTU	Element Output	Element Type	Code	£ Ex VAT	£ Inc VAT
800 x 500mm	509	1737	150W	A, A+, D, E, F, G	89.0870	296.00	355.20
800 x 600mm	591	2017	300W	A, A+, D, E, F, G	89.0871	326.00	391.20
1200 x 500mm	725	2474	300W	A, A+, D, E, F, G	89.0872	384.00	460.80
1200 x 600mm	843	2877	300W	A, A+, D, E, F, G	89.0873	423.00	507.60
1800 x 500mm	1031	3518	450W	A, A+, D, E, F, G	89.0874	548.00	657.60
1800 x 600mm	1199	4091	450W	A, A+, D, E, F, G	89.0875	603.00	723.60

Deddington Towel Rails - Matt Black

Size H x W	Watts	BTU	Element Output	Element Type	Code	£ Ex VAT	£ Inc VAT
800 x 500mm	509	1737	150W	A, A+, D, E, F, G	89.1525	296.00	355.20
1200 x 500mm	725	2474	300W	A, A+, D, E, F, G	89.1526	384.00	460.80
1800 x 500mm	1031	3518	450W	A, A+, D, E, F, G	89.1527	548.00	657.60

Deddington Towel Rails - Matt Cobalt Blue

Size H x W	Watts	BTU	Element Output	Element Type	Code	£ Ex VAT	£ Inc VAT
800 x 500mm	509	1737	150W	A, A+, D, E, F, G	89.1528	296.00	355.20
1200 x 500mm	725	2474	300W	A, A+, D, E, F, G	89.1529	384.00	460.80
1800 x 500mm	1031	3518	450W	A, A+, D, E, F, G	89.1530	548.00	657.60

Radiator Valves
Page 731-737

800mm High



1800mm High



1200mm High



Designer Range

ADDINGTON TYPE 10 - GLOSS WHITE



Pictured 91.0015 Gloss White (Fitted Vertically) & 91.0081 x2 Towel Hangers



Bar Dimensions (mm)
Vertical Bars 70 x 11mm

Pictured 91.0003 Gloss White (Fitted Vertically)



Towel Hangers
Page 591



Round Vent Caps
Page 741



Warranty
5
Year

Heating

All Electric

Dual-Fuel

Pictured 91.0134 Gloss White (Fitted Vertically)

HEATING NOTE:
Radiators that are electric only are restricted to the heat output of the elements.

Designer Range

ADDINGTON TYPE 10 - GLOSS WHITE

A designer radiator range available to fit both vertically and horizontally designs in a gloss white finishes. Optional extras include flat style and double flat style towel hangers (see Page 591).

FEATURES

- Tested to BS EN 442 standards
- Single profile construction
- Maximum corrosion resistance
- Cathaphoretic painting technology
- Can be installed vertically or horizontally
- Can be single, dual fuel or all electric (not all sizes)
- 5 Year Manufacturer's Warranty*
- * With conditions

Technical Tables
& Drawings
Page 774-775



500mm Height

Addington Type 10 Vertical / Horizontal Radiators - Gloss White

Size H x W	Watts	BTU	Element Output	Element Type	Code	£ Ex VAT	£ Inc VAT
500 x 514mm	414	1413	150W	A, A+, C, E, H	91.0001	262.00	314.40
500 x 588mm	473	1614	300W	A, A+, C, E, H	91.0002	288.00	345.60

600mm Height

Addington Type 10 Vertical / Horizontal Radiators - Gloss White

Size H x W	Watts	BTU	Element Output	Element Type	Code	£ Ex VAT	£ Inc VAT
600 x 292mm	281	958	150W	A, A+	91.0127	205.00	246.00
600 x 366mm	351	1198	150W	A, A+	91.0128	231.00	277.20
600 x 440mm	421	1438	150W	A, A+, C, E, H	91.0129	255.00	306.00
600 x 514mm	492	1679	300W	A, A+, C, E, H	91.0003	282.00	338.40
600 x 588mm	562	1918	300W	A, A+, C, E, H	91.0004	306.00	367.20
600 x 662mm	632	2157	300W	A, A+, C, E, H	91.0130	334.00	400.80
600 x 810mm	772	2636	450W	A+, C, E, H	91.0131	382.00	458.40
600 x 1032mm	983	3355	600W	A, A+, C, E, H	91.0132	462.00	554.40
600 x 1180mm	1124	3834	600W	A, A+, C, E, H	91.0133	514.00	616.80
600 x 1254mm	1194	4073	600W	A, A+, C, E, H	91.0134	538.00	645.60

800mm Height

Addington Type 10 Vertical / Horizontal Radiators - Gloss White

Size H x W	Watts	BTU	Element Output	Element Type	Code	£ Ex VAT	£ Inc VAT
800 x 514mm	642	2191	300W	A, A+, C, H	91.0005	315.00	378.00
800 x 588mm	733	2501	450W	A, A+, C, H	91.0006	346.00	415.20

1000mm Height

Addington Type 10 Vertical / Horizontal Radiators - Gloss White

Size H x W	Watts	BTU	Element Output	Element Type	Code	£ Ex VAT	£ Inc VAT
1000 x 514mm	786	2682	450W	A, A+, C, H	91.0007	350.00	420.00
1000 x 588mm	898	3064	450W	A, A+, C, H	91.0008	382.00	458.40

1200mm Height

Addington Type 10 Vertical / Horizontal Radiators - Gloss White

Size H x W	Watts	BTU	Element Output	Element Type	Code	£ Ex VAT	£ Inc VAT
1200 x 514mm	923	3149	450W	A, A+, C, H	91.0009	382.00	458.40
1200 x 588mm	1055	3600	600W	A+, C, H	91.0010	424.00	508.80

1400mm Height

Addington Type 10 Vertical / Horizontal Radiators - Gloss White

Size H x W	Watts	BTU	Element Output	Element Type	Code	£ Ex VAT	£ Inc VAT
1400 x 514mm	1055	3600	600W	A+, C, H	91.0011	420.00	504.00
1400 x 588mm	1206	4115	600W	A+, C, H	91.0012	462.00	554.40

1800mm Height

Addington Type 10 Vertical / Horizontal Radiators - Gloss White

Size H x W	Watts	BTU	Element Output	Element Type	Code	£ Ex VAT	£ Inc VAT
1800 x 292mm	744	2539	N/A	N/A	91.0013	319.00	382.80
1800 x 366mm	931	3177	N/A	N/A	91.0014	378.00	453.60
1800 x 440mm	1117	3811	450W	A, A+	91.0015	431.00	517.20
1800 x 514mm	1303	4446	600W	A+	91.0016	484.00	580.80
1800 x 588mm	1489	5080	600W	A+	91.0017	541.00	649.20



Pictured 91.0014 Gloss White (Fitted Horizontally)



Single profile construction

Radiator can be installed vertically or horizontally using the pre-fitted wall bracket holders. (Below images)



TECHNICAL INFORMATION

All measurements in Height by Width. Heat output based on $\Delta T60^{\circ}\text{C}$. Radiators that are electric only are restricted to the heat output of the elements. Element size can be increased to full capacity of rail if using element type C, E or H. For element types see pages 718-729. For matching valves see pages 731-737. Comes with pre-fitted flow diverter (except 500 & 600mm heights). Flow diverter must remain in place when radiator installed on central heating system (only for vertical installations). For indirect heating systems only. **In vertical installation**, tappings are the width of the rail and approx. 40mm off the wall. **In horizontal installation**, tappings are approx. 50mm less than the width of the rail and approx. 40mm off the wall. Price includes radiator and wall fixing sets, valves extra.

MAGNETIC TOWEL HANGERS



Round Magnetic Towel Hangers

Size	Colour	Code	£ Ex VAT	£ Inc VAT
600mm	Gloss White	101.0071	91.00	109.20
600mm	Chrome	101.0072	97.00	116.40



Square Magnetic Towel Hangers

Size	Colour	Code	£ Ex VAT	£ Inc VAT
600mm	Gloss White	101.0073	92.00	110.40
600mm	Chrome	101.0074	103.00	123.60

Both Round & Square towel hangers come in three unassembled pieces. Please cut 600mm bar to required column-to-column length. Holds up to 5kg weight.

Designer Range

ADDINGTON TYPE 10 - MATT ANTHRACITE



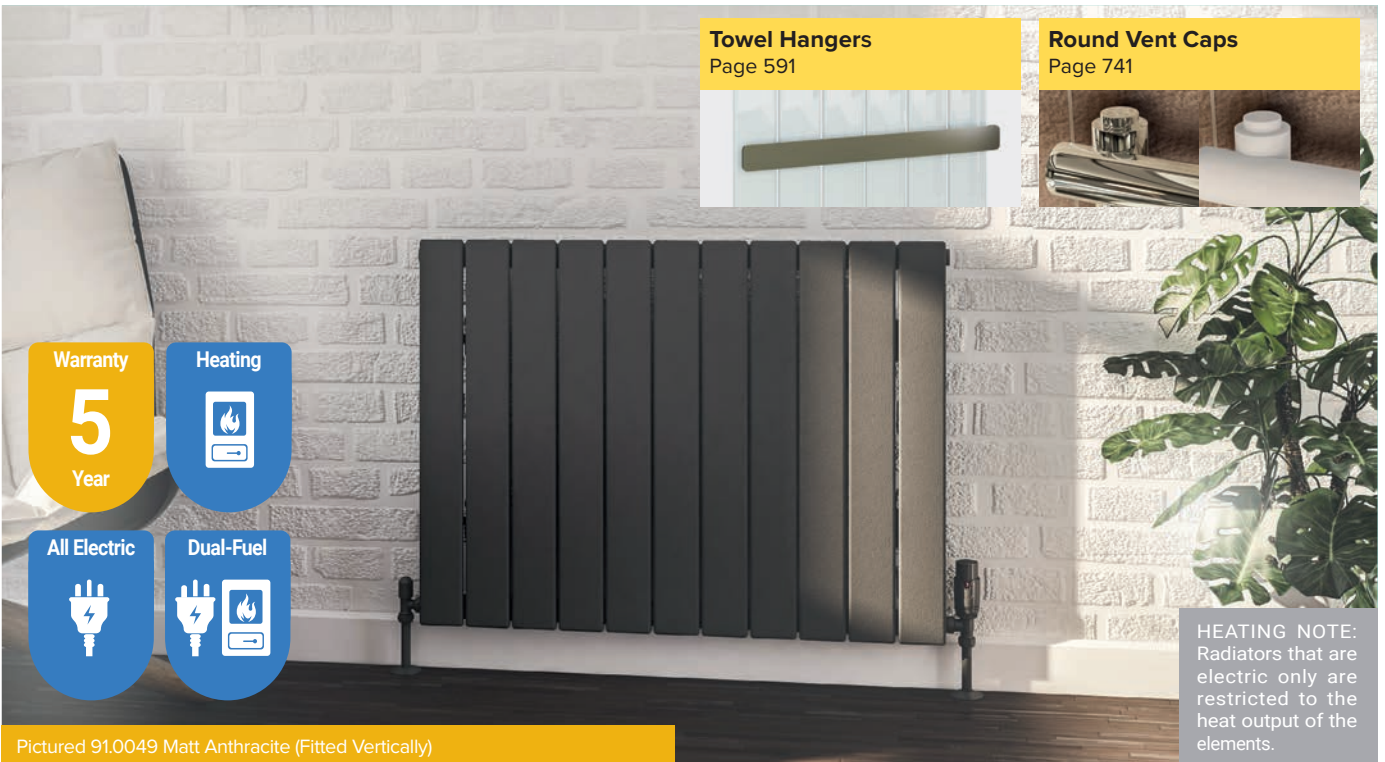
Pictured 91.0032 Matt Anthracite (Fitted Vertically) & 91.0111 Towel Hanger



Bar Dimensions (mm)

Vertical Bars 70 x 11mm

Pictured 91.0147 Matt Anthracite (Fitted Vertically) & 91.0086 Towel Hanger



Towel Hangers
Page 591

Round Vent Caps
Page 741

Warranty
5
Year

Heating


All Electric


Dual-Fuel


Pictured 91.0049 Matt Anthracite (Fitted Vertically)

HEATING NOTE:
Radiators that are electric only are restricted to the heat output of the elements.

Designer Range

ADDINGTON TYPE 10 - MATT ANTHRACITE

A designer radiator range available to fit both vertically and horizontally designs in a matt anthracite finish. Optional extras include flat style and double flat style towel hangers (see Page 591).

FEATURES

- Tested to BS EN 442 standards
 - Single profile construction
 - Maximum corrosion resistance
 - Cataphoretic painting technology
 - Can be installed vertically or horizontally
 - Can be single, dual fuel or all electric (not all sizes)
 - 5 Year Manufacturer's Warranty*
- * With conditions

Technical Tables
& Drawings
Page 774-775



500mm Height

Addington Type 10 Vertical / Horizontal Radiators - Matt Anthracite

Size H x W	Watts	BTU	Element Output	Element Type	Code	£ Ex VAT	£ Inc VAT
500 x 514mm	414	1413	150W	A, A+, C, E, H	91.0018	262.00	314.40
500 x 588mm	473	1614	300W	A, A+, C, E, H	91.0019	288.00	345.60

600mm Height

Addington Type 10 Vertical / Horizontal Radiators - Matt Anthracite

Size H x W	Watts	BTU	Element Output	Element Type	Code	£ Ex VAT	£ Inc VAT
600 x 292mm	281	958	150W	A, A+	91.0145	205.00	246.00
600 x 366mm	351	1198	150W	A, A+	91.0146	231.00	277.20
600 x 440mm	421	1438	150W	A, A+, C, E, H	91.0147	255.00	306.00
600 x 514mm	492	1679	300W	A, A+, C, E, H	91.0020	282.00	338.40
600 x 588mm	562	1918	300W	A, A+, C, E, H	91.0021	306.00	367.20
600 x 662mm	632	2157	300W	A, A+, C, E, H	91.0148	334.00	400.80
600 x 810mm	772	2636	450W	A+, C, E, H	91.0149	382.00	458.40
600 x 1032mm	983	3355	600W	A, A+, C, E, H	91.0150	462.00	554.40
600 x 1180mm	1124	3834	600W	A, A+, C, E, H	91.0151	514.00	616.80
600 x 1254mm	1194	4073	600W	A, A+, C, E, H	91.0152	538.00	645.60

800mm Height

Addington Type 10 Vertical / Horizontal Radiators - Matt Anthracite

Size H x W	Watts	BTU	Element Output	Element Type	Code	£ Ex VAT	£ Inc VAT
800 x 514mm	642	2191	300W	A, A+, C, H	91.0022	315.00	378.00
800 x 588mm	733	2501	450W	A, A+, C, H	91.0023	346.00	415.20

1000mm Height

Addington Type 10 Vertical / Horizontal Radiators - Matt Anthracite

Size H x W	Watts	BTU	Element Output	Element Type	Code	£ Ex VAT	£ Inc VAT
1000 x 514mm	786	2682	450W	A, A+, C, H	91.0024	350.00	420.00
1000 x 588mm	898	3064	450W	A, A+, C, H	91.0025	382.00	458.40

1200mm Height

Addington Type 10 Vertical / Horizontal Radiators - Matt Anthracite

Size H x W	Watts	BTU	Element Output	Element Type	Code	£ Ex VAT	£ Inc VAT
1200 x 514mm	923	3149	450W	A, A+, C, H	91.0026	382.00	458.40
1200 x 588mm	1055	3600	600W	A+, C, H	91.0027	424.00	508.80

1400mm Height

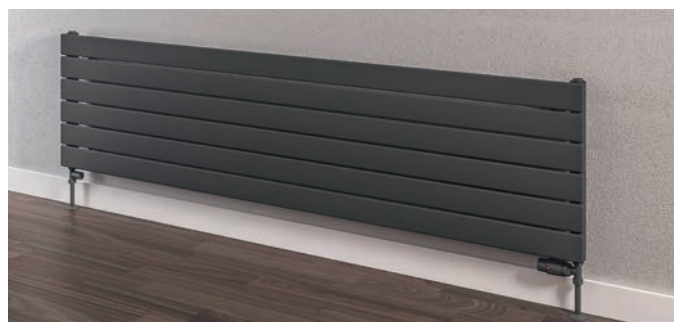
Addington Type 10 Vertical / Horizontal Radiators - Matt Anthracite

Size H x W	Watts	BTU	Element Output	Element Type	Code	£ Ex VAT	£ Inc VAT
1400 x 514mm	1055	3600	600W	A+, C, H	91.0028	420.00	504.00
1400 x 588mm	1206	4115	600W	A+, C, H	91.0029	462.00	554.40

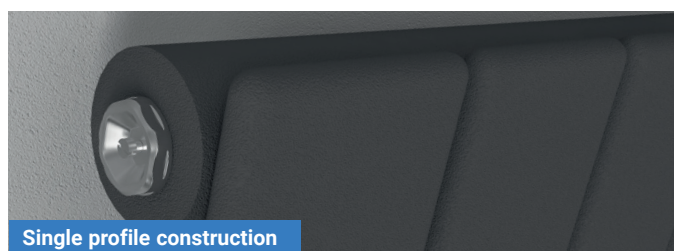
1800mm Height

Addington Type 10 Vertical / Horizontal Radiators - Matt Anthracite

Size H x W	Watts	BTU	Element Output	Element Type	Code	£ Ex VAT	£ Inc VAT
1800 x 292mm	744	2539	N/A	N/A	91.0030	319.00	382.80
1800 x 366mm	931	3177	N/A	N/A	91.0031	378.00	453.60
1800 x 440mm	1117	3811	450W	A, A+	91.0032	431.00	517.20
1800 x 514mm	1303	4446	600W	A+	91.0033	484.00	580.80
1800 x 588mm	1489	5080	600W	A+	91.0034	541.00	649.20



Pictured 91.0032 (Fitted Horizontally)



Single profile construction

Radiator can be installed vertically or horizontally using the pre-fitted wall bracket holders. (Below images)



TECHNICAL INFORMATION

All measurements in Height by Width. Heat output based on $\Delta T60^{\circ}\text{C}$. Radiators that are electric only are restricted to the heat output of the elements. Element size can be increased to full capacity of rail if using element type C, E or H. For element types see pages 718-729. For matching valves see pages 731-737. Comes with pre-fitted flow diverter (except 500 & 600mm heights). Flow diverter must remain in place when radiator installed on central heating system (only for vertical installations). For indirect heating systems only. In vertical installation, tappings are the width of the rail and approx. 40mm off the wall. In horizontal installation, tappings are approx. 50mm less than the width of the rail and approx. 40mm off the wall. Price includes radiator and wall fixing sets, valves extra.

MAGNETIC TOWEL HANGERS



Round Magnetic Towel Hangers

Size	Colour	Code	£ Ex VAT	£ Inc VAT
600mm	Gloss White	101.0071	91.00	109.20
600mm	Chrome	101.0072	97.00	116.40



Square Magnetic Towel Hangers

Size	Colour	Code	£ Ex VAT	£ Inc VAT
600mm	Gloss White	101.0073	92.00	110.40
600mm	Chrome	101.0074	103.00	123.60

Both Round & Square towel hangers come in three unassembled pieces. Please cut 600mm bar to required column-to-column length. Holds up to 5kg weight.

Designer Range

ADDINGTON TYPE 10 - TOWEL RAILS



Pictured 91.0065 Gloss White

A designer towel rail available in 3 heights and 2 widths in gloss white, matt anthracite colours.

FEATURES

- Tested to BS EN 442 standards
 - Single profile construction
 - Maximum corrosion resistance
 - Cataphoretic painting technology
 - Can be installed vertically or horizontally
 - Can be single, dual fuel or all electric
 - 5 Year Manufacturer's Warranty*
- * With conditions

Technical Tables & Drawings

Page 776-777



TECHNICAL INFORMATION

All measurements in Height by Width. Heat output based on $\Delta T60^{\circ}\text{C}$. Radiators that are electric only are restricted to the heat output of the elements. Element size can be increased to full capacity of rail if using element type D, E, F or G. For element types see pages 718-729. For matching valves see pages 731-737. For indirect heating systems only. Tappings are 50mm less than the width of the rail and approx. 40mm off the wall. Price includes radiator and wall fixing sets, valves extra.

790mm High



1110mm High



1750mm High



Addington Type 10 Towel Rails - Gloss White

Size H x W	Watts	BTU	Element Output	Element Type	Code	£ Ex VAT	£ Inc VAT
790 x 400mm	374	1276	150W	A, A+, D, E, F, G	91.0061	264.00	316.80
790 x 500mm	467	1593	150W	A, A+, D, E, F, G	91.0064	305.00	366.00
790 x 600mm	560	1911	300W	A, A+, D, E, F, G	91.0067	345.00	414.00
1110 x 400mm	492	1679	300W	A, A+, D, E, F, G	91.0062	392.00	470.40
1110 x 500mm	610	2081	300W	A, A+, D, E, F, G	91.0065	410.00	492.00
1110 x 600mm	731	2494	450W	A, A+, D, E, F, G	91.0068	426.00	511.20
1750 x 400mm	729	2487	450W	A, A+, D, E, F, G	91.0063	560.00	672.00
1750 x 500mm	885	3020	450W	A, A+, D, E, F, G	91.0066	583.00	699.60
1750 x 600mm	1062	3624	600W	A, A+, D, E, F, G	91.0069	608.00	729.60

Addington Type 10 Towel Rails - Matt Anthracite

Size H x W	Watts	BTU	Element Output	Element Type	Code	£ Ex VAT	£ Inc VAT
790 x 400mm	374	1276	150W	A, A+, D, E, F, G	91.0070	264.00	316.80
790 x 500mm	467	1593	150W	A, A+, D, E, F, G	91.0073	305.00	366.00
790 x 600mm	560	1911	300W	A, A+, D, E, F, G	91.0076	345.00	414.00
1110 x 400mm	492	1679	300W	A, A+, D, E, F, G	91.0071	392.00	470.40
1110 x 500mm	610	2081	300W	A, A+, D, E, F, G	91.0074	410.00	492.00
1110 x 600mm	731	2494	450W	A, A+, D, E, F, G	91.0077	426.00	511.20
1750 x 400mm	729	2487	450W	A, A+, D, E, F, G	91.0072	560.00	672.00
1750 x 500mm	885	3020	450W	A, A+, D, E, F, G	91.0075	583.00	699.60
1750 x 600mm	1062	3624	600W	A, A+, D, E, F, G	91.0078	608.00	729.60

Radiator Valves

Page 731-737



Round Vent Caps

Page 741



Designer Range

ADDINGTON TYPE 10 ADDINGTON ALUMINIUM TYPE 10 SINGLE FLAT STYLE TOWEL HANGERS



Type 10 - Single Flat Style Towel Hangers - Gloss White

Description	Code	£ Ex VAT	£ Inc VAT
Towel Hanger 292mm	91.0079	61.00	73.20
Towel Hanger 366mm	91.0080	62.00	74.40
Towel Hanger 440mm	91.0081	63.00	75.60
Towel Hanger 514mm	91.0082	65.00	78.00
Towel Hanger 588mm	91.0083	65.00	78.00

ADDINGTON TYPE 10 ADDINGTON ALUMINIUM TYPE 10 DOUBLE FLAT STYLE TOWEL HANGERS



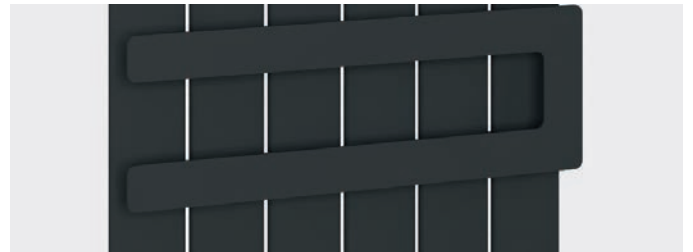
Type 10 - Double Flat Style Towel Hangers - Gloss White

Description	Code	£ Ex VAT	£ Inc VAT
Towel Hanger 292mm	91.0099	75.00	90.00
Towel Hanger 366mm	91.0100	77.00	92.40
Towel Hanger 440mm	91.0101	80.00	96.00
Towel Hanger 514mm	91.0102	81.00	97.20
Towel Hanger 588mm	91.0103	83.00	99.60



Type 10 - Single Flat Style Towel Hangers - Matt Anthracite

Description	Code	£ Ex VAT	£ Inc VAT
Towel Hanger 292mm	91.0084	61.00	73.20
Towel Hanger 366mm	91.0085	62.00	74.40
Towel Hanger 440mm	91.0086	63.00	75.60
Towel Hanger 514mm	91.0087	65.00	78.00
Towel Hanger 588mm	91.0088	65.00	78.00



Type 10 - Double Flat Style Towel Hangers - Matt Anthracite

Description	Code	£ Ex VAT	£ Inc VAT
Towel Hanger 292mm	91.0104	75.00	90.00
Towel Hanger 366mm	91.0105	77.00	92.40
Towel Hanger 440mm	91.0106	80.00	96.00
Towel Hanger 514mm	91.0107	81.00	97.20
Towel Hanger 588mm	91.0108	83.00	99.60



Type 10 - Single Flat Style Towel Hangers - Chrome

Description	Code	£ Ex VAT	£ Inc VAT
Towel Hanger 292mm	91.0089	93.00	111.60
Towel Hanger 366mm	91.0090	95.00	114.00
Towel Hanger 440mm	91.0091	97.00	116.40
Towel Hanger 514mm	91.0092	98.00	117.60
Towel Hanger 588mm	91.0093	101.00	121.20



Type 10 - Double Flat Style Towel Hangers - Chrome

Description	Code	£ Ex VAT	£ Inc VAT
Towel Hanger 292mm	91.0109	118.00	141.60
Towel Hanger 366mm	91.0110	123.00	147.60
Towel Hanger 440mm	91.0111	125.00	150.00
Towel Hanger 514mm	91.0112	128.00	153.60
Towel Hanger 588mm	91.0113	131.00	157.20

TECHNICAL DETAILS

The Single Flat Style Towel Hanger is compatible with both **vertical and horizontal** installation.

MUST BE FITTED BEFORE INSTALLATION!

Radiators projection from wall 119mm when towel hangers is fitted.

Hanger Fitting Widths
148/222/296/370/444mm



TECHNICAL DETAILS

The Double Flat Style Towel Hanger is compatible with **vertical installation only**.

MUST BE FITTED BEFORE INSTALLATION!

Radiators projection from wall 119mm when towel hangers is fitted.

Hanger Fitting Widths
148/222/296/370/444mm

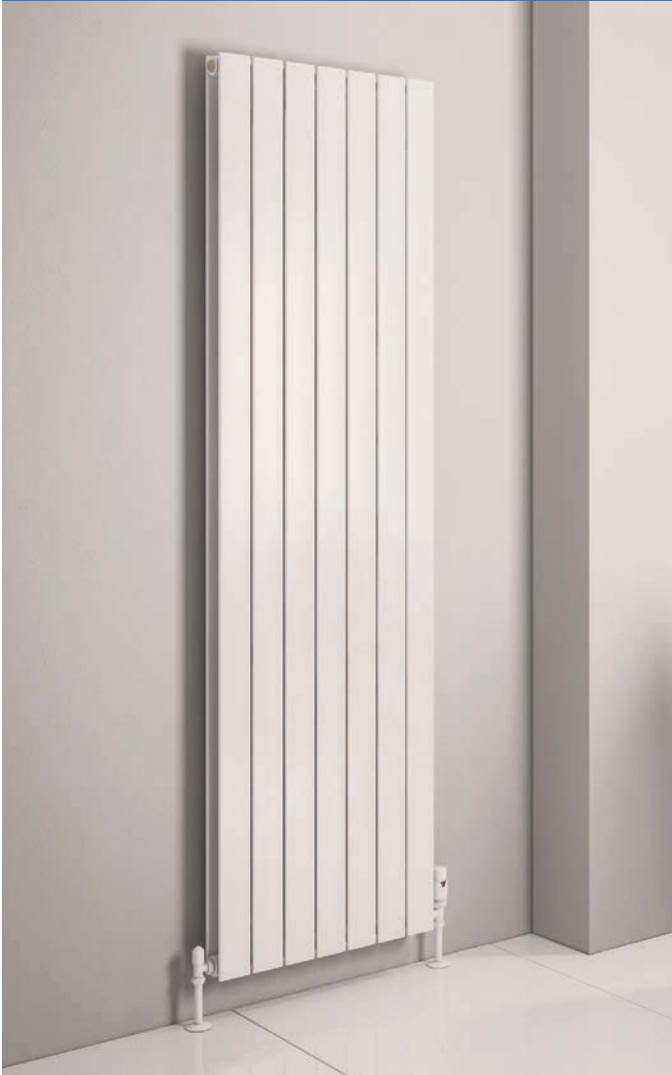


Installation Note: Single Flat Style Towel Hangers are not compatible with Deddington Vertical & Deddington Horizontal radiators.

Installation Note: Double Flat Style Towel Hangers are not compatible with Deddington Vertical & Deddington Horizontal radiators.

Designer Range

ADDINGTON TYPE 20 - GLOSS WHITE



Pictured 91.0037 Gloss White (Fitted Vertically)



Bar Dimensions (mm)

Vertical Bars 70 x 11mm

Pictured 91.0137 Gloss White (Fitted Vertically) with 101.0071 Towel Hanger



HEATING NOTE:
Radiators that are electric only are restricted to the heat output of the elements.

Warranty

5

Year

Heating

All Electric

Dual-Fuel

Pictured 91.0143 (Fitted Vertically)

Designer Range

ADDINGTON TYPE 20 - GLOSS WHITE

A designer radiator range available to fit both vertically and horizontally designs in a gloss white finish.

FEATURES

- Tested to BS EN 442 standards
- Double profile construction
- Maximum corrosion resistance
- Cataphoretic painting technology
- Can be installed vertically or horizontally
- Can be single, dual fuel or all electric
- 5 Year Manufacturer's Warranty*
- * With conditions

Technical Tables
& Drawings
Page 776-777



600mm Height

Addington Type 20 Vertical / Horizontal Radiators - Gloss White

Size H x W	Watts	BTU	Element Output	Element Type	Code	£ Ex VAT	£ Inc VAT
600 x 292mm	401	1369	150W	A, A+	91.0135	282.00	338.40
600 x 366mm	502	1712	300W	A, A+	91.0136	324.00	388.80
600 x 440mm	602	2054	300W	A, A+, C, H	91.0137	368.00	441.60
600 x 514mm	702	2396	300W	A, A+, C, H	91.0138	413.00	495.60
600 x 588mm	803	2738	450W	A, A+, C, H	91.0139	460.00	552.00
600 x 662mm	903	3081	450W	A, A+, C, H	91.0140	504.00	604.80
600 x 810mm	1104	3765	600W	A, A+, C, E, H	91.0141	592.00	710.40
600 x 1032mm	1405	4792	750W	A, A+, C, E, H	91.0142	729.00	874.80
600 x 1180mm	1605	5477	900W	A, A+, C, E, H	91.0143	817.00	980.40
600 x 1254mm	1706	5819	1000W	A, A+, C, E, H	91.0144	861.00	1033.20

1800mm Height

Addington Type 20 Vertical / Horizontal Radiators - Gloss White

Size H x W	Watts	BTU	Element Output	Element Type	Code	£ Ex VAT	£ Inc VAT
1800 x 366mm	1329	4535	300W	A, A+	91.0035	643.00	771.60
1800 x 440mm	1595	5442	450W	A, A+	91.0036	761.00	913.20
1800 x 514mm	1861	6350	600W	A+	91.0037	880.00	1056.00
1800 x 588mm	2127	7257	600W	A+	91.0038	998.00	1197.60

TECHNICAL INFORMATION

All measurements in Height by Width. Heat output based on $\Delta T60^{\circ}C$. Radiators that are electric only are restricted to the heat output of the elements. Element size can be increased to full capacity of rail if using element type C, E or H. For element types see pages 718-729. For matching valves see pages 731-737. Comes with pre-fitted flow diverter (except 500 & 600mm heights). Flow diverter must remain in place when radiator installed on central heating system (only for vertical installations). For indirect heating systems only. In vertical installation, tappings are the width of the rail and approx. 64mm off the wall. In horizontal installation, tappings are approx. 50mm less than the width of the rail and approx. 64mm off the wall. Price includes radiator and wall fixing sets, valves extra.

Multi-Purpose Towel Hangers

Page 740



Radiator Valves

Page 731-737



Round Vent Caps

Page 741



Pictured 91.0037 (Fitted Horizontally)



Double profile construction

Radiator can be installed vertically or horizontally using the pre-fitted wall bracket holders. (Below images)



MAGNETIC TOWEL HANGERS



Round Magnetic Towel Hangers

Size	Colour	Code	£ Ex VAT	£ Inc VAT
600mm	Gloss White	101.0071	91.00	109.20
600mm	Chrome	101.0072	97.00	116.40



Square Magnetic Towel Hangers

Size	Colour	Code	£ Ex VAT	£ Inc VAT
600mm	Gloss White	101.0073	92.00	110.40
600mm	Chrome	101.0074	103.00	123.60

Both Round & Square towel hangers come in three unassembled pieces. Please cut 600mm bar to required column-to-column length. Holds up to 5kg weight.

Designer Range

ADDINGTON TYPE 20 - MATT ANTHRACITE



Pictured 91.0042 Matt Anthracite (Fitted Vertically)



Bar Dimensions (mm)

Vertical Bars 70 x 11mm

Pictured 91.0157 Matt Anthracite (Fitted Vertically) with 101.0074 Towel Hanger



HEATING NOTE:
Radiators that are electric only are restricted to the heat output of the elements.

Warranty

5

Year

Heating



All Electric



Dual-Fuel



Pictured 91.0161 (Fitted Vertically)

Designer Range

ADDINGTON TYPE 20 - MATT ANTHRACITE

A designer radiator range available to fit both vertically and horizontally designs in a matt anthracite finish.

FEATURES

- Tested to BS EN 442 standards
- Double profile construction
- Maximum corrosion resistance
- Cataphoretic painting technology
- Can be installed vertically or horizontally
- Can be single, dual fuel or all electric
- 5 Year Manufacturer's Warranty*
- * With conditions

Technical Tables & Drawings

Page 776-777



600mm Height

Addington Type 20 Vertical / Horizontal Radiators - Matt Anthracite

Size H x W	Watts	BTU	Element Output	Element Type	Code	£ Ex VAT	£ Inc VAT
600 x 292mm	401	1369	150W	A, A+	91.0153	282.00	338.40
600 x 366mm	502	1712	300W	A, A+	91.0154	324.00	388.80
600 x 440mm	602	2054	300W	A, A+, C, H	91.0155	368.00	441.60
600 x 514mm	702	2396	300W	A, A+, C, H	91.0156	413.00	495.60
600 x 588mm	803	2738	450W	A, A+, C, H	91.0157	460.00	552.00
600 x 662mm	903	3081	450W	A, A+, C, H	91.0158	504.00	604.80
600 x 810mm	1104	3765	600W	A, A+, C, E, H	91.0159	592.00	710.40
600 x 1032mm	1405	4792	750W	A, A+, C, E, H	91.0160	729.00	874.80
600 x 1180mm	1605	5477	900W	A, A+, C, E, H	91.0161	817.00	980.40
600 x 1254mm	1706	5819	1000W	A, A+, C, E, H	91.0162	861.00	1033.20

1800mm Height

Addington Type 20 Vertical / Horizontal Radiators - Matt Anthracite

Size H x W	Watts	BTU	Element Output	Element Type	Code	£ Ex VAT	£ Inc VAT
1800 x 366mm	1329	4535	300W	A, A+	91.0039	643.00	771.60
1800 x 440mm	1595	5442	450W	A, A+	91.0040	761.00	913.20
1800 x 514mm	1861	6350	600W	A+	91.0041	880.00	1056.00
1800 x 588mm	2127	7257	600W	A+	91.0042	998.00	1197.60

TECHNICAL INFORMATION

All measurements in Height by Width. Heat output based on $\Delta T60^{\circ}\text{C}$. Radiators that are electric only are restricted to the heat output of the elements. Element size can be increased to full capacity of rail if using element type C, E or H. For element types see pages 718-729. For matching valves see pages 731-737. Comes with pre-fitted flow diverter (except 500 & 600mm heights). Flow diverter must remain in place when radiator installed on central heating system (only for vertical installations). For indirect heating systems only. In vertical installation, tappings are the width of the rail and approx. 64mm off the wall. In horizontal installation, tappings are approx. 50mm less than the width of the rail and approx. 64mm off the wall. Price includes radiator and wall fixing sets, valves extra.

Multi-Purpose Towel Hangers

Page 740



Radiator Valves

Page 731-737

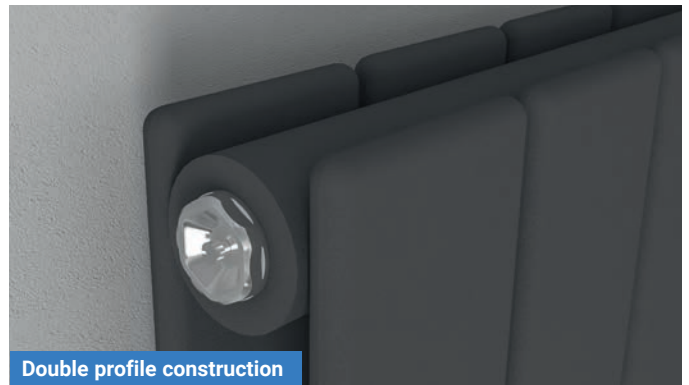


Round Vent Caps

Page 741



Pictured 91.0042 (Fitted Horizontally)



Double profile construction

Radiator can be installed vertically or horizontally using the pre-fitted wall bracket holders. (Below images)



MAGNETIC TOWEL HANGERS



Round Magnetic Towel Hangers

Size	Colour	Code	£ Ex VAT	£ Inc VAT
600mm	Gloss White	101.0071	91.00	109.20
600mm	Chrome	101.0072	97.00	116.40



Square Magnetic Towel Hangers

Size	Colour	Code	£ Ex VAT	£ Inc VAT
600mm	Gloss White	101.0073	92.00	110.40
600mm	Chrome	101.0074	103.00	123.60

Both Round & Square towel hangers come in three unassembled pieces. Please cut 600mm bar to required column-to-column length. Holds up to 5kg weight.

Designer Range

ADDINGTON TYPE21 - HORIZONTAL

High Output 



Double profile construction with one row of convector fins


HEATING NOTE: Radiators that are electric only are restricted to the heat output of the elements.


Pictured 91.0044 Gloss White


- Warranty

5


Year
- Heating


- All Electric


- Dual-Fuel



Technical Tables & Drawings
Page 778-779



A horizontal only designer radiator range with high heat outputs in gloss white and matt anthracite finishes.

Addington Type21 Horizontal Radiators - Gloss White							
Size H x W	Watts	BTU	Element Output	Element Type	Code	£ Ex VAT	£ Inc VAT
588 x 600mm	994	3392	600W	A+	91.0043	542.00	650.40
588 x 800mm	1325	4521	600W	A, A+	91.0044	658.00	789.60
588 x 1000mm	1694	5780	600W	A, A+	91.0045	748.00	897.60
588 x 1200mm	1983	6766	600W	A, A+	91.0046	887.00	1064.40

Addington Type21 Horizontal Radiators - Matt Anthracite							
Size H x W	Watts	BTU	Element Output	Element Type	Code	£ Ex VAT	£ Inc VAT
588 x 600mm	994	3392	600W	A+	91.0047	542.00	650.40
588 x 800mm	1325	4521	600W	A, A+	91.0048	658.00	789.60
588 x 1000mm	1694	5780	600W	A, A+	91.0049	748.00	897.60
588 x 1200mm	1983	6766	600W	A, A+	91.0050	887.00	1064.40

- FEATURES**
- Tested to BS EN 442 standards
 - Double profile construction with **one row of convector fins**
 - Pre-fitted top grilles
 - Maximum corrosion resistance
 - Cataphoretic painting technology
 - Can only be installed horizontally
 - Can be single, dual fuel or all electric
 - 5 Year Manufacturer's Warranty*
 - * With conditions

TECHNICAL INFORMATION

All measurements in Height by Width. Heat output based on $\Delta T60^{\circ}\text{C}$. Radiators that are electric only are restricted to the heat output of the elements. For element types see pages 718-729. For matching valves see pages 731-737. For indirect heating systems only. Tappings are approx. 50mm less than the width of the rail and 75mm off the wall. Price includes radiator and wall fixing sets, valves extra.

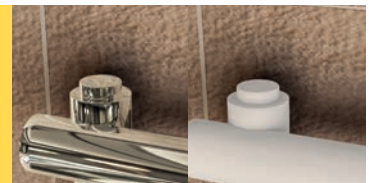
Radiator Valves

Page 731-737



Round Vent Caps

Page 741



Designer Range

ADDINGTON TYPE22 - HORIZONTAL



High Output

Double profile construction with two rows of convector fins

Warranty
5
Year

Heating

All Electric

Dual-Fuel

Technical Tables & Drawings
Page 778-779

HEATING NOTE:
Radiators that are electric only are restricted to the heat output of the elements.

Pictured 91.0060 Matt Anthracite

Addington Type22 Horizontal Radiators - Gloss White							
Size H x W	Watts	BTU	Element Output	Element Type	Code	£ Ex VAT	£ Inc VAT
292 x 1200mm	1703	5811	N/A	N/A	91.0055	526.00	631.20
588 x 600mm	1252	4272	600W	A+	91.0051	578.00	693.60
588 x 800mm	1670	5698	600W	A, A+	91.0052	701.00	841.20
588 x 1000mm	2099	7162	600W	A, A+	91.0053	825.00	990.00
588 x 1200mm	2519	8595	600W	A, A+	91.0054	946.00	1135.20

Addington Type22 Horizontal Radiators - Matt Anthracite							
Size H x W	Watts	BTU	Element Output	Element Type	Code	£ Ex VAT	£ Inc VAT
292 x 1200mm	1703	5811	N/A	N/A	91.0060	526.00	631.20
588 x 600mm	1252	4272	600W	A+	91.0056	578.00	693.60
588 x 800mm	1670	5698	600W	A, A+	91.0057	701.00	841.20
588 x 1000mm	2099	7162	600W	A, A+	91.0058	825.00	990.00
588 x 1200mm	2519	8595	600W	A, A+	91.0059	946.00	1135.20

- FEATURES**
- Tested to BS EN 442 standards
 - Double profile construction with **two rows of convector fins**
 - Pre-fitted top grilles
 - Maximum corrosion resistance
 - Cataphoretic painting technology
 - Can only be installed horizontally
 - Can be single, dual fuel or all electric
 - 5 Year Manufacturer's Warranty*
* With conditions

TECHNICAL INFORMATION

All measurements in Height by Width. Heat output based on $\Delta T60^{\circ}\text{C}$. Radiators that are electric only are restricted to the heat output of the elements. For element types see pages 718-729. For matching valves see pages 731-737. For indirect heating systems only. Tappings are approx. 50mm less than the width of the rail and 85mm off the wall. Price includes radiator and wall fixing sets, valves extra.

Radiator Valves
Page 731-737



Round Vent Caps
Page 741



Designer Range

ADDINGTON TYPE 20 - TOWEL RAILS



Double profile construction



1110mm High



1750mm High

Warranty

5

Year

Heating

All Electric

Dual-Fuel

Pictured 91.0120 Gloss White

A designer towel rail with high heat output, available in 2 heights in gloss white and matt anthracite colours.

FEATURES

- Tested to BS EN 442 standards
- Double profile construction
- Maximum corrosion resistance
- Cataphoretic painting technology
- Can be single, dual fuel or all electric
- 5 Year Manufacturer's Warranty*
- * With conditions

Technical Tables & Drawings

Page 776-777



Addington Type 20 Towel Rails - Gloss White

Size H x W	Watts	BTU	Element Output	Element Type	Code	£ Ex VAT	£ Inc VAT
1110 x 500mm	826	2817	450W	A, A+, D, E, F, G	91.0119	603.00	723.60
1750 x 500mm	1163	3966	600W	A, A+, D, E, F, G	91.0120	863.00	1035.60

Addington Type 20 Towel Rails - Matt Anthracite

Size H x W	Watts	BTU	Element Output	Element Type	Code	£ Ex VAT	£ Inc VAT
1110 x 500mm	826	2817	450W	A, A+, D, E, F, G	91.0121	603.00	723.60
1750 x 500mm	1163	3966	600W	A, A+, D, E, F, G	91.0122	863.00	1035.60

TECHNICAL INFORMATION

All measurements in Height by Width. Heat output based on $\Delta T60^{\circ}\text{C}$. Radiators that are electric only are restricted to the heat output of the elements. Element size can be increased to full capacity of rail if using element type D, E, F or G. For element types see pages 718-729. For matching valves see pages 731-737. For indirect heating systems only. Tappings are 50mm less than the width of the rail and approx. 64mm off the wall. Price includes radiator and wall fixing sets, valves extra.

Radiator Valves

Page 731-737



Round Vent Caps

Page 741



Designer Range

ADDINGTON TYPE 21 - TOWEL RAILS

Warranty

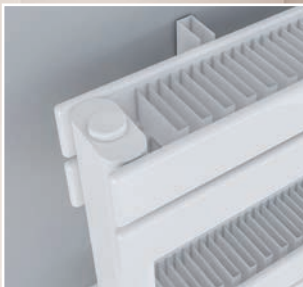
5

Year

Heating

All Electric

Dual-Fuel



Double profile construction with one row of convector fins



1110mm High



1750mm High



Pictured 91.0125 Matt Anthracite

A designer towel rail with high heat output, available in 2 heights in gloss white and matt anthracite colours.

FEATURES

- Tested to BS EN 442 standards
 - Double profile construction with **one row of convector fins**
 - Maximum corrosion resistance
 - Cataphoretic painting technology
 - Can be single, dual fuel or all electric
 - 5 Year Manufacturer's Warranty*
- * With conditions

Technical Tables & Drawings
Page 778-779



TECHNICAL INFORMATION

All measurements in Height by Width. Heat output based on $\Delta T60^{\circ}\text{C}$. Radiators that are electric only are restricted to the heat output of the elements. Element size can be increased to full capacity of rail if using element type D, E, F or G. For element types see pages 718-729. For matching valves see pages 731-737. For indirect heating systems only. Tappings are 50mm less than the width of the rail and approx. 75mm off the wall. Price includes radiator and wall fixing sets, valves extra.

Addington Type 21 Towel Rails - Gloss White

Size H x W	Watts	BTU	Element Output	Element Type	Code	£ Ex VAT	£ Inc VAT
1110 x 500mm	1060	3615	600W	A, A+, D, E, F, G	91.0123	710.00	852.00
1750 x 500mm	1455	4962	900W	A, A+, D, E, F, G	91.0124	1003.00	1203.60

Addington Type 21 Towel Rails - Matt Anthracite

Size H x W	Watts	BTU	Element Output	Element Type	Code	£ Ex VAT	£ Inc VAT
1110 x 500mm	1060	3615	600W	A, A+, D, E, F, G	91.0125	710.00	852.00
1750 x 500mm	1455	4962	900W	A, A+, D, E, F, G	91.0126	1003.00	1203.60

Radiator Valves

Page 731-737



Round Vent Caps

Page 741



Flat Panel Range

WINGRAVE FLAT PANEL RADIATORS

1200mm High



Available for Dual Fuel Installation

Pictured 89.1458 Gloss White with 89.1490 Towel Hangers x2 and 54.0005 TRV Valve

Rear fixing metal wall brackets

1200mm High



Comes with 50mm middle connection in addition to standard side connections.

Pictured 89.1468 Matt Anthracite with 89.1472 Towel Hangers x2 and 41.3021 TRV Valve

No more heavy & bulky panel radiators! A minimalist cover has been added to the Wingrave Towel Rail with built-in middle connection option. Also the stylish towel hangers will allow you to use this radiator in your bathroom as well as other rooms. Available in 2 heights and 3 colours.

FEATURES

- Tested to BS EN 442 standards
- Wingrave towel rail with with flat panel cover
- Rear fixing metal wall brackets
- Comes with 50mm middle connection in addition to standard side connections
- Dual fuel connection without T piece, element fits in either left or right bottom side connection
- Blanking plug and air vent are at the rear of the radiator
- Can only be installed vertically
- Can be single or dual fuel, or all electric
- 5 Year Manufacturer's Warranty*

*With conditions

Technical Tables
& Drawings
Page 778-779



Warranty

5
Year

Heating



All Electric



Dual-Fuel



Flat Panel Range

WINGRAVE FLAT PANEL RADIATORS

Gloss White



Matt Anthracite



Matt Black



1200mm Height

Wingrave Flat Panel Radiators - Gloss White

Size H x W	Watts	BTU	Element Output	Element Type	Code	£ Ex VAT	£ Inc VAT
1200 x 310mm	470	1604	150W	A, A+, D, E, F, G	89.1455	247.00	296.40
1200 x 410mm	593	2023	300W	A, A+, D, E, F, G	89.1456	260.00	312.00
1200 x 510mm	716	2443	300W	A, A+, D, E, F, G	89.1457	282.00	338.40
1200 x 610mm	840	2866	450W	A, A+, D, E, F, G	89.1458	305.00	366.00

Wingrave Flat Panel Radiators - Matt Anthracite

Size H x W	Watts	BTU	Element Output	Element Type	Code	£ Ex VAT	£ Inc VAT
1200 x 310mm	470	1604	150W	A, A+, D, E, F, G	89.1467	267.00	320.40
1200 x 410mm	593	2023	300W	A, A+, D, E, F, G	89.1468	281.00	337.20
1200 x 510mm	716	2443	300W	A, A+, D, E, F, G	89.1469	305.00	366.00
1200 x 610mm	840	2866	450W	A, A+, D, E, F, G	89.1470	328.00	393.60

Wingrave Flat Panel Radiators - Matt Black

Size H x W	Watts	BTU	Element Output	Element Type	Code	£ Ex VAT	£ Inc VAT
1200 x 310mm	470	1604	150W	A, A+, D, E, F, G	89.1479	267.00	320.40
1200 x 410mm	593	2023	300W	A, A+, D, E, F, G	89.1480	281.00	337.20
1200 x 510mm	716	2443	300W	A, A+, D, E, F, G	89.1481	305.00	366.00
1200 x 610mm	840	2866	450W	A, A+, D, E, F, G	89.1482	328.00	393.60

1200mm High Rear View
Hidden air vent and
blanking plug



TECHNICAL INFORMATION

All measurements in Height by Width. Heat output based on $\Delta T60^{\circ}\text{C}$. Radiators that are electric only are restricted to the heat output of the elements. Element size can be increased to full capacity of rail if using element type D, E, F or G. For element types see pages 718-729. For matching valves see pages 731-737. For indirect heating systems only. Middle connection is 50mm. and approx. 73mm off the wall. Side connections are 55mm less than the width of the rail and approx. 73mm off the wall. Price includes radiator and wall fixing sets, valves extra.

WINGRAVE FLAT PANEL TOWEL HANGERS



Towel Hanger - Gloss White

Size	Code	£ Ex VAT	£ Inc VAT
310mm	89.1459	47.00	56.40
410mm	89.1460	51.00	61.20
510mm	89.1461	58.00	69.60
610mm	89.1462	64.00	76.80



Towel Hanger - Matt Anthracite

Size	Code	£ Ex VAT	£ Inc VAT
310mm	89.1471	47.00	56.40
410mm	89.1472	51.00	61.20
510mm	89.1473	58.00	69.60
610mm	89.1474	64.00	76.80



Towel Hanger - Matt Black

Size	Code	£ Ex VAT	£ Inc VAT
310mm	89.1483	47.00	56.40
410mm	89.1484	51.00	61.20
510mm	89.1485	58.00	69.60
610mm	89.1486	64.00	76.80



Towel Hanger - Chrome

Size	Code	£ Ex VAT	£ Inc VAT
310mm	89.1487	47.00	56.40
410mm	89.1488	51.00	61.20
510mm	89.1489	58.00	69.60
610mm	89.1490	64.00	76.80

TECHNICAL INFORMATION

Vertical Radiators:

1200mm height radiators come with 2 towel hanger locations, with a maximum of 2 towel hangers - all widths; 300, 400, 500 and 600mm. Wingrave Flat Panel Towel Hangers are compatible with 1200mm height Wingrave Flat Panel Radiators.

Must be fitted before installation.

Flat Panel Range

WINGRAVE FLAT PANEL RADIATORS



No more heavy & bulky panel radiators! A minimalist cover has been added to the Wingrave Towel Rail with built-in middle connection option. Also the stylish towel hangers will allow you to use this radiator in your bathroom as well as other rooms. Available in 2 heights and 3 colours.

FEATURES

- Tested to BS EN 442 standards
- Wingrave towel rail with with flat panel cover
- Rear fixing metal wall brackets
- Comes with 50mm middle connection in addition to standard side connections
- Dual fuel connection without T piece, element fits in either left or right bottom side connection
- Blanking plug and air vent are at the rear of the radiator
- Can only be installed vertically
- Can be single or dual fuel, or all electric
- 5 Year Manufacturer's Warranty*

*With conditions

Technical Tables
& Drawings
Page 778-779



Warranty

5
Year

Heating



All Electric



Dual-Fuel



Flat Panel Range

Gloss White



Matt Anthracite



Matt Black



WINGRAVE FLAT PANEL RADIATORS

1800mm Height

Wingrave Flat Panel Radiators - Gloss White

Size H x W	Watts	BTU	Element Output	Element Type	Code	£ Ex VAT	£ Inc VAT
1800 x 310mm	694	2368	300W	A, A+, D, E, F, G	89.1451	300.00	360.00
1800 x 410mm	874	2982	450W	A, A+, D, E, F, G	89.1452	323.00	387.60
1800 x 510mm	1054	3596	450W	A, A+, D, E, F, G	89.1453	361.00	433.20
1800 x 610mm	1234	4211	600W	A, A+, D, E, F, G	89.1454	400.00	480.00

Wingrave Flat Panel Radiators - Matt Anthracite

Size H x W	Watts	BTU	Element Output	Element Type	Code	£ Ex VAT	£ Inc VAT
1800 x 310mm	694	2368	300W	A, A+, D, E, F, G	89.1463	324.00	388.80
1800 x 410mm	874	2982	450W	A, A+, D, E, F, G	89.1464	350.00	420.00
1800 x 510mm	1054	3596	450W	A, A+, D, E, F, G	89.1465	390.00	468.00
1800 x 610mm	1234	4211	600W	A, A+, D, E, F, G	89.1466	432.00	518.40

Wingrave Flat Panel Radiators - Matt Black

Size H x W	Watts	BTU	Element Output	Element Type	Code	£ Ex VAT	£ Inc VAT
1800 x 310mm	694	2368	300W	A, A+, D, E, F, G	89.1475	324.00	388.80
1800 x 410mm	874	2982	450W	A, A+, D, E, F, G	89.1476	350.00	420.00
1800 x 510mm	1054	3596	450W	A, A+, D, E, F, G	89.1477	390.00	468.00
1800 x 610mm	1234	4211	600W	A, A+, D, E, F, G	89.1478	432.00	518.40

1800mm High Rear View
Hidden air vent and
blanking plug

TECHNICAL INFORMATION

All measurements in Height by Width. Heat output based on $\Delta T60^{\circ}\text{C}$. Radiators that are electric only are restricted to the heat output of the elements. Element size can be increased to full capacity of rail if using element type D, E, F or G. For element types see pages 718-729. For matching valves see pages 731-737. For indirect heating systems only. Middle connection is 50mm. and approx. 73mm off the wall. Side connections are 55mm less than the width of the rail and approx. 73mm off the wall. Price includes radiator and wall fixing sets, valves extra.

WINGRAVE FLAT PANEL TOWEL HANGERS



Towel Hanger - Gloss White

Size	Code	£ Ex VAT	£ Inc VAT
310mm	89.1459	47.00	56.40
410mm	89.1460	51.00	61.20
510mm	89.1461	58.00	69.60
610mm	89.1462	64.00	76.80



Towel Hanger - Matt Anthracite

Size	Code	£ Ex VAT	£ Inc VAT
310mm	89.1471	47.00	56.40
410mm	89.1472	51.00	61.20
510mm	89.1473	58.00	69.60
610mm	89.1474	64.00	76.80



Towel Hanger - Matt Black

Size	Code	£ Ex VAT	£ Inc VAT
310mm	89.1483	47.00	56.40
410mm	89.1484	51.00	61.20
510mm	89.1485	58.00	69.60
610mm	89.1486	64.00	76.80



Towel Hanger - Chrome

Size	Code	£ Ex VAT	£ Inc VAT
310mm	89.1487	47.00	56.40
410mm	89.1488	51.00	61.20
510mm	89.1489	58.00	69.60
610mm	89.1490	64.00	76.80

TECHNICAL INFORMATION

Vertical Radiators:

1800mm height radiators come with 3 towel hanger locations, with a maximum of 3 towel hangers - all widths; 300, 400, 500 and 600mm. Wingrave Flat Panel Towel Hangers are compatible with 1800mm height Wingrave Flat Panel Radiators.

Must be fitted before installation.

Flat Panel Range

TYPE 11 FLAT PANEL RADIATORS



Pictured 44.0018 Gloss White

Combining single convector panel radiators, finished with smooth front & side panels and a top grille.

FEATURES

- Tested to BS EN 442 standards
- Single Flat Panel with one row of convector fins
- Pre-fitted top grilles and side cover panels
- Available in 3 heights and up to 8 widths
- Gloss White and 5 more colours in stock
- Can only be installed horizontally
- Not suitable for elements
- 5 Year Manufacturer's Warranty*

*With conditions

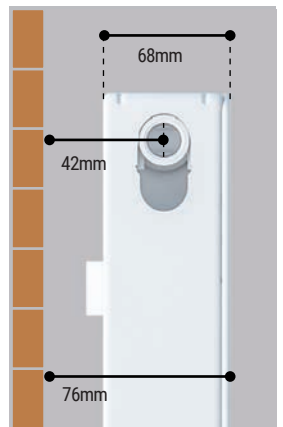
Technical Tables
& Drawings
Page 780-781



Warranty

5
Year

Heating



TECHNICAL INFORMATION

All measurements in Height by Width. Heat output based on $\Delta T60^{\circ}\text{C}$. For matching valves see pages 731-737. For indirect heating systems only. Tappings are the width of the rail and approx. 42mm off the wall. Price includes radiator and wall fixing sets, valves extra.

400mm Height

Type 11 Flat Panel Radiators - Gloss White					
Size H x W	Watts	BTU	Code	£ Ex VAT	£ Inc VAT
400 x 600mm	439	1497	44.0001	137.00	164.40
400 x 800mm	586	1998	44.0002	161.00	193.20
400 x 1000mm	733	2500	44.0003	184.00	220.80
400 x 1200mm	881	3005	44.0004	214.00	256.80
400 x 1400mm	1027	3502	44.0005	238.00	285.60
400 x 1600mm	1175	4007	44.0006	267.00	320.40

500mm Height

Type 11 Flat Panel Radiators - Gloss White					
Size H x W	Watts	BTU	Code	£ Ex VAT	£ Inc VAT
500 x 400mm	360	1225	44.0007	119.00	142.80
500 x 600mm	541	1844	44.0008	148.00	177.60
500 x 800mm	722	2460	44.0009	178.00	213.60
500 x 1000mm	903	3080	44.0010	206.00	247.20
500 x 1200mm	1085	3699	44.0011	237.00	284.40
500 x 1400mm	1266	4315	44.0012	268.00	321.60
500 x 1600mm	1447	4934	44.0013	300.00	360.00

600mm Height

Type 11 Flat Panel Radiators - Gloss White					
Size H x W	Watts	BTU	Code	£ Ex VAT	£ Inc VAT
600 x 400mm	424	1443	44.0014	132.00	158.40
600 x 600mm	638	2174	44.0015	168.00	201.60
600 x 800mm	851	2901	44.0016	201.00	241.20
600 x 1000mm	1064	3628	44.0017	236.00	283.20
600 x 1200mm	1277	4354	44.0018	272.00	326.40
600 x 1400mm	1490	5081	44.0019	307.00	368.40
600 x 1600mm	1705	5812	44.0020	346.00	415.20
600 x 1800mm	1918	6538	44.0021	378.00	453.60

Flat Panel Range

TYPE 11 FLAT PANEL RADIATORS

COMPLETE THE LOOK

Pictured below:
Angled Thermostatic Valves

Page: 732-737



600mm Height
Type 11 Flat Panel Radiators - Matt White

Size H x W	Watts	BTU	Code	£ Ex VAT	£ Inc VAT
600 x 400mm	424	1443	44.0022	146.00	175.20
600 x 600mm	638	2174	44.0023	182.00	218.40
600 x 800mm	851	2901	44.0024	220.00	264.00
600 x 1000mm	1064	3628	44.0025	259.00	310.80
600 x 1200mm	1277	4354	44.0026	296.00	355.20
600 x 1400mm	1490	5081	44.0027	338.00	405.60
600 x 1600mm	1705	5812	44.0028	379.00	454.80



600mm Height
Type 11 Flat Panel Radiators - Matt Grey

Size H x W	Watts	BTU	Code	£ Ex VAT	£ Inc VAT
600 x 400mm	424	1443	44.0029	146.00	175.20
600 x 600mm	638	2174	44.0030	182.00	218.40
600 x 800mm	851	2901	44.0031	220.00	264.00
600 x 1000mm	1064	3628	44.0032	259.00	310.80
600 x 1200mm	1277	4354	44.0033	296.00	355.20
600 x 1400mm	1490	5081	44.0034	338.00	405.60
600 x 1600mm	1705	5812	44.0035	379.00	454.80



600mm Height
Type 11 Flat Panel Radiators - Matt Cappuccino

Size H x W	Watts	BTU	Code	£ Ex VAT	£ Inc VAT
600 x 400mm	424	1443	44.0036	146.00	175.20
600 x 600mm	638	2174	44.0037	182.00	218.40
600 x 800mm	851	2901	44.0038	220.00	264.00
600 x 1000mm	1064	3628	44.0039	259.00	310.80
600 x 1200mm	1277	4354	44.0040	296.00	355.20
600 x 1400mm	1490	5081	44.0041	338.00	405.60
600 x 1600mm	1705	5812	44.0042	379.00	454.80



600mm Height
Type 11 Flat Panel Radiators - Matt Anthracite

Size H x W	Watts	BTU	Code	£ Ex VAT	£ Inc VAT
600 x 400mm	424	1443	44.0043	146.00	175.20
600 x 600mm	638	2174	44.0044	182.00	218.40
600 x 800mm	851	2901	44.0045	220.00	264.00
600 x 1000mm	1064	3628	44.0046	259.00	310.80
600 x 1200mm	1277	4354	44.0047	296.00	355.20
600 x 1400mm	1490	5081	44.0048	338.00	405.60
600 x 1600mm	1705	5812	44.0049	379.00	454.80

MAGNETIC TOWEL HANGERS



Round Magnetic Towel Hangers

Size	Colour	Code	£ Ex VAT	£ Inc VAT
600mm	Gloss White	101.0071	91.00	109.20
600mm	Chrome	101.0072	97.00	116.40



Both Round & Square towel hangers come in three unassembled pieces. Please cut 600mm bar to required column-to-column length. Holds up to 5kg weight.

Square Magnetic Towel Hangers

Size	Colour	Code	£ Ex VAT	£ Inc VAT
600mm	Gloss White	101.0073	92.00	110.40
600mm	Chrome	101.0074	103.00	123.60



600mm Height
Type 11 Flat Panel Radiators - Matt Black

Size H x W	Watts	BTU	Code	£ Ex VAT	£ Inc VAT
600 x 400mm	424	1443	44.0050	146.00	175.20
600 x 600mm	638	2174	44.0051	182.00	218.40
600 x 800mm	851	2901	44.0052	220.00	264.00
600 x 1000mm	1064	3628	44.0053	259.00	310.80
600 x 1200mm	1277	4354	44.0054	296.00	355.20
600 x 1400mm	1490	5081	44.0055	338.00	405.60
600 x 1600mm	1705	5812	44.0056	379.00	454.80

Flat Panel Range

TYPE 22 FLAT PANEL RADIATORS



Pictured 44.0073 Gloss White



Combining double convector panel radiators, finished with smooth front & side panels and a top grille.

FEATURES

- Tested to BS EN 442 standards
- Double Flat Panels with two rows of convector fins
- Pre-fitted top grilles and side cover panels
- Available in 3 heights and up to 8 widths
- Gloss White and 5 more colours in stock
- Can only be installed horizontally
- Not suitable for elements
- 5 Year Manufacturer's Warranty*

*With conditions

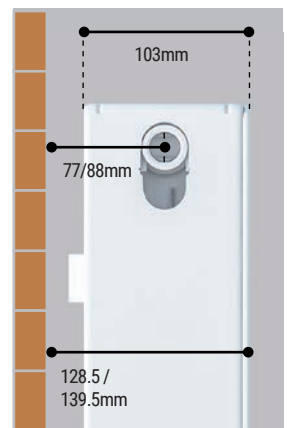
Technical Tables
& Drawings
Page 780-781



Warranty

5
Year

Heating



TECHNICAL INFORMATION

All measurements in Height by Width. Heat output based on $\Delta T60^{\circ}\text{C}$. For matching valves see pages 731-737. For indirect heating systems only. Tappings are the width of the rail and approx. 77/88mm off the wall. Price includes radiator and wall fixing sets, valves extra.

400mm Height

Type 22 Flat Panel Radiators - Gloss White					
Size H x W	Watts	BTU	Code	£ Ex VAT	£ Inc VAT
400 x 600mm	815	2779	44.0057	190.00	228.00
400 x 800mm	1085	3699	44.0058	236.00	283.20
400 x 1000mm	1354	4616	44.0059	280.00	336.00
400 x 1200mm	1624	5536	44.0060	327.00	392.40
400 x 1400mm	1894	6456	44.0061	374.00	448.80
400 x 1600mm	2161	7369	44.0062	421.00	505.20

500mm Height

Type 22 Flat Panel Radiators - Gloss White					
Size H x W	Watts	BTU	Code	£ Ex VAT	£ Inc VAT
500 x 400mm	647	2206	44.0063	162.00	194.40
500 x 600mm	973	3316	44.0064	215.00	258.00
500 x 800mm	1297	4422	44.0065	270.00	324.00
500 x 1000mm	1623	5532	44.0066	322.00	386.40
500 x 1200mm	1947	6639	44.0067	374.00	448.80
500 x 1400mm	2272	7745	44.0068	431.00	517.20
500 x 1600mm	2597	8855	44.0069	484.00	580.80

600mm Height

Type 22 Flat Panel Radiators - Gloss White					
Size H x W	Watts	BTU	Code	£ Ex VAT	£ Inc VAT
600 x 400mm	765	2607	44.0070	185.00	222.00
600 x 600mm	1147	3910	44.0071	250.00	222.00
600 x 800mm	1529	5214	44.0072	315.00	378.00
600 x 1000mm	1911	6517	44.0073	376.00	451.20
600 x 1200mm	2294	7820	44.0074	443.00	531.60
600 x 1400mm	2676	9124	44.0075	506.00	607.20
600 x 1600mm	3058	10427	44.0076	574.00	688.80
600 x 1800mm	3440	11730	44.0077	634.00	760.80

Flat Panel Range

TYPE 22 FLAT PANEL RADIATORS

COMPLETE THE LOOK

Pictured below:
Angled Thermostatic Valves

Page: 732-737



600mm Height
Type 22 Flat Panel Radiators - Matt White

Size H x W	Watts	BTU	Code	£ Ex VAT	£ Inc VAT
600 x 400mm	765	2607	44.0078	206.00	247.20
600 x 600mm	1147	3910	44.0079	274.00	328.80
600 x 800mm	1529	5214	44.0080	346.00	415.20
600 x 1000mm	1911	6517	44.0081	414.00	496.80
600 x 1200mm	2294	7820	44.0082	486.00	583.20
600 x 1400mm	2676	9124	44.0083	559.00	670.80
600 x 1600mm	3058	10427	44.0084	630.00	756.00



600mm Height
Type 22 Flat Panel Radiators - Matt Grey

Size H x W	Watts	BTU	Code	£ Ex VAT	£ Inc VAT
600 x 400mm	765	2607	44.0085	206.00	247.20
600 x 600mm	1147	3910	44.0086	274.00	328.80
600 x 800mm	1529	5214	44.0087	346.00	415.20
600 x 1000mm	1911	6517	44.0088	414.00	496.80
600 x 1200mm	2294	7820	44.0089	486.00	583.20
600 x 1400mm	2676	9124	44.0090	559.00	670.80
600 x 1600mm	3058	10427	44.0091	630.00	756.00



600mm Height
Type 22 Flat Panel Radiators - Matt Cappuccino

Size H x W	Watts	BTU	Code	£ Ex VAT	£ Inc VAT
600 x 400mm	765	2607	44.0092	206.00	247.20
600 x 600mm	1147	3910	44.0093	274.00	328.80
600 x 800mm	1529	5214	44.0094	346.00	415.20
600 x 1000mm	1911	6517	44.0095	414.00	496.80
600 x 1200mm	2294	7820	44.0096	486.00	583.20
600 x 1400mm	2676	9124	44.0097	559.00	670.80
600 x 1600mm	3058	10427	44.0098	630.00	756.00



600mm Height
Type 22 Flat Panel Radiators - Matt Anthracite

Size H x W	Watts	BTU	Code	£ Ex VAT	£ Inc VAT
600 x 400mm	765	2607	44.0099	206.00	247.20
600 x 600mm	1147	3910	44.0100	274.00	328.80
600 x 800mm	1529	5214	44.0101	346.00	415.20
600 x 1000mm	1911	6517	44.0102	414.00	496.80
600 x 1200mm	2294	7820	44.0103	486.00	583.20
600 x 1400mm	2676	9124	44.0104	559.00	670.80
600 x 1600mm	3058	10427	44.0105	630.00	756.00

MAGNETIC TOWEL HANGERS



Round Magnetic Towel Hangers

Size	Colour	Code	£ Ex VAT	£ Inc VAT
600mm	Gloss White	101.0071	91.00	109.20
600mm	Chrome	101.0072	97.00	116.40



Square Magnetic Towel Hangers

Size	Colour	Code	£ Ex VAT	£ Inc VAT
600mm	Gloss White	101.0073	92.00	110.40
600mm	Chrome	101.0074	103.00	123.60

Both Round & Square towel hangers come in three unassembled pieces. Please cut 600mm bar to required column-to-column length. Holds up to 5kg weight.



600mm Height
Type 22 Flat Panel Radiators - Matt Black

Size H x W	Watts	BTU	Code	£ Ex VAT	£ Inc VAT
600 x 400mm	765	2607	44.0106	206.00	247.20
600 x 600mm	1147	3910	44.0107	274.00	328.80
600 x 800mm	1529	5214	44.0108	346.00	415.20
600 x 1000mm	1911	6517	44.0109	414.00	496.80
600 x 1200mm	2294	7820	44.0110	486.00	583.20
600 x 1400mm	2676	9124	44.0111	559.00	670.80
600 x 1600mm	3058	10427	44.0112	630.00	756.00



Sub Section

Aluminium Range

A huge variety of contemporary aluminium radiators and towel rails, from flat panel to ladder rail styles to suit any room.

Statement piece accessory towel hangers complement both vertical and horizontal designs allowing room for towels.

Contents

Pelago Towel Rail, Available in 3 colours	610-611	Sandhurst Vertical & Horizontal, Available in 3 colours	648-651
Velor, Matt White & Matt Anthracite	612-613	Berkeley Horizontal, Available in 3 colours	652-653
Charlton Vertical & Horizontal, Available in 3 colours	614-616	Tordino Vertical & Horizontal, Available in 4 colours	654-657
Charlton Towel Hangers	617	Guardia Vertical & Horizontal, Available in 4 colours	658-661
Withington Vertical & Horizontal, Available in 4 colours	618-620	Hadleigh Vertical & Horizontal, Available in 3 colours	662-665
Withington Towel Hangers	621	Vesima Vertical & Horizontal, Available in 3 colours	666-669
Malmesbury Vertical & Horizontal, Available in 4 colours	622-625	Preston Vertical, Available in 3 colours	670-671
Malmesbury Towel Hangers	627	Berlini Vertical, Available in 4 colours	672-673
Addington Aluminium Type10, Gloss White & Matt Anthracite	628-631	Fairford Vertical & Horizontal, Matt White & Matt Anthracite	674-677
Addington Aluminium Type20, Gloss White & Matt Anthracite	632-635	Burford Vertical & Horizontal, Matt White & Matt Anthracite	678-681
Rosano Vertical & Horizontal, Available in 3 colours	636-639	Kelmscott Vertical & Horizontal, Matt White & Matt Anthracite	682-685
Rosano Towel Hangers	640-641	Witney Vertical & Horizontal, Matt White & Matt Anthracite	686-687
Peretti Vertical & Horizontal, Available in 4 colours	642-645		
Peretti Towel Hangers	646-647		

Aluminium Range

PELAGO

Pictured 86.0224 Polished Aluminium



The Pelago features two towel rail widths of 500mm & 600mm, along with three height variations to suit any sized bathroom, kitchen or cloakroom suite.



Pictured 86.0210 Matt Anthracite

Warranty

5
Year

Heating



All Electric



Dual-Fuel



Aluminium Range

PELAGO

With its slim construction and modern design, the Pelago aluminium towel rail is ready to heat up your towels.

FEATURES

- Excellent heat conductivity and lightweight
- Only requires a low water volume
- Heats up very quickly
- Tested to BS EN 442 standards
- 5 Year Manufacturer's Warranty*
- Can be single or dual fuel, or all electric
- * With conditions

**Technical Tables
& Drawings**
Page 782-783



Pelago - Matt White

Size H x W	Watts	BTU	Element Output	Element Type	Code	£ Ex VAT	£ Inc VAT
600 x 500mm	296	1011	150W	A, A+	86.0208	143.00	171.60
600 x 600mm	356	1213	150W	A, A+	86.0209	154.00	184.80
1200 x 500mm	566	1931	300W	A, A+	86.0214	236.00	283.20
1200 x 600mm	679	2317	300W	A, A+	86.0215	253.00	303.60
1800 x 500mm	907	3094	300W	A, A+	86.0220	336.00	403.20
1800 x 600mm	1088	3712	600W	A, A+	86.0221	363.00	435.60

Pelago - Matt Anthracite

Size H x W	Watts	BTU	Element Output	Element Type	Code	£ Ex VAT	£ Inc VAT
600 x 500mm	296	1011	150W	A, A+	86.0210	143.00	171.60
600 x 600mm	356	1213	150W	A, A+	86.0211	154.00	184.80
1200 x 500mm	566	1931	300W	A, A+	86.0216	236.00	283.20
1200 x 600mm	679	2317	300W	A, A+	86.0217	253.00	303.60
1800 x 500mm	907	3094	300W	A, A+	86.0222	336.00	403.20
1800 x 600mm	1088	3712	600W	A, A+	86.0223	363.00	435.60

Pelago - Polished Aluminium

Size H x W	Watts	BTU	Element Output	Element Type	Code	£ Ex VAT	£ Inc VAT
600 x 500mm	287	981	150W	A, A+	86.0212	159.00	190.80
600 x 600mm	345	1177	150W	A, A+	86.0213	171.00	205.20
1200 x 500mm	549	1873	300W	A, A+	86.0218	263.00	315.60
1200 x 600mm	659	2248	300W	A, A+	86.0219	283.00	339.60
1800 x 500mm	880	3001	300W	A, A+	86.0224	377.00	452.40
1800 x 600mm	1055	3601	600W	A, A+	86.0225	409.00	490.80

1200mm High



1800mm High



600mm High



Radiator Valves

Page 731-737



Matt White



Matt Anthracite



Polished Aluminium



Pictured 86.0215 Matt White

TECHNICAL INFORMATION

All measurements in Height by Width. Heat output based on $\Delta T60^{\circ}\text{C}$. Radiators that are electric only are restricted to the heat output of the elements. For element types see pages 718-729. For matching valves see pages 731-737. For indirect heating systems only. Tappings are approx. 25mm less than the width of the rail and approx. 75-105mm off the wall. Price includes radiator and wall fixing sets, valves extra.

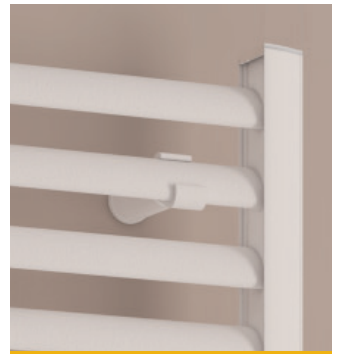
Aluminium Range

VELOR, MATT WHITE

High Output 



Pictured 86.0163 Matt White



Slanted Horizontal Bars



Exposed Chrome Cover Caps

The Velor features two towel rail widths of 500mm & 600mm, along with three height variations to suit any sized bathroom, kitchen or cloakroom suite.

Radiator Valves
Page 731-737



The Velor is light weight aluminium towel rail that has a high heat output. It's available in two colours; Matt White & Matt Anthracite, both with slanted horizontal bars.

Velor Straight Towel Rail - Matt White


Size H x W	Watts	BTU	Element Output	Element Type	Code	£ Ex VAT	£ Inc VAT
600 x 500mm	266	908	150W	A, D, E	86.0158	191.00	229.20
600 x 600mm	319	1090	150W	A, D, E	86.0159	207.00	248.40
1200 x 500mm	699	2384	300W	A, D, E	86.0160	379.00	454.80
1200 x 600mm	838	2861	300W	A, D, E	86.0161	420.00	504.00
1800 x 500mm	1031	3519	600W	A, D, E	86.0162	542.00	650.40
1800 x 600mm	1238	4223	600W	A, D, E	86.0163	608.00	729.60

Warranty


5

Year


Heating



All Electric



Dual-Fuel



FEATURES

- Excellent heat conductivity and lightweight
 - Only requires a low water volume
 - Heats up very quickly
 - Tested to BS EN 442 standards
 - 5 Year Manufacturer's Warranty*
 - Can be single or dual fuel, or all electric
- * With conditions

Technical Tables & Drawings
Page 782-783



TECHNICAL INFORMATION

All measurements in Height by Width. Heat output based on $\Delta T60^{\circ}\text{C}$. Radiators that are electric only are restricted to the heat output of the elements. Element size can be increased to full capacity of rail if using element type D or E. For element types see pages 718-729. For matching valves see pages 731-737. For indirect heating systems only. Tappings are approx. 25mm less than the width of the rail and approx. 80-110mm off the wall. Price includes radiator and wall fixing sets, valves extra.

Aluminium Range

VELOR, MATT ANTHRACITE



High Output



Slanted Horizontal Bars

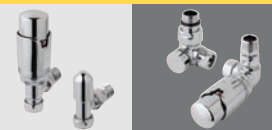


Exposed Chrome Cover Caps

The Velor features two towel rail widths of 500mm & 600mm, along with three height variations to suit any sized bathroom, kitchen or cloakroom suite.

Radiator Valves

Page 731-737



Pictured 86.0167 Matt Anthracite

The Velor is light weight aluminium towel rail that has a high heat output. It's available in two colours; Matt White & Matt Anthracite, both with slanted horizontal bars.

Velor Straight Towel Rail - Matt Anthracite

Size H x W	Watts	BTU	Element Output	Element Type	Code	£ Ex VAT	£ Inc VAT
600 x 500mm	266	908	150W	A, D, E	86.0164	191.00	229.20
600 x 600mm	319	1090	150W	A, D, E	86.0165	207.00	248.40
1200 x 500mm	699	2384	300W	A, D, E	86.0166	379.00	454.80
1200 x 600mm	838	2861	300W	A, D, E	86.0167	420.00	504.00
1800 x 500mm	1031	3519	600W	A, D, E	86.0168	542.00	650.40
1800 x 600mm	1238	4223	600W	A, D, E	86.0169	608.00	729.60

FEATURES

- Excellent heat conductivity and lightweight
 - Only requires a low water volume
 - Heats up very quickly
 - Tested to BS EN 442 standards
 - 5 Year Manufacturer's Warranty*
 - Can be single or dual fuel, or all electric
- * With conditions

Technical Tables & Drawings

Page 782-783



TECHNICAL INFORMATION

All measurements in Height by Width. Heat output based on $\Delta T60^{\circ}\text{C}$. Radiators that are electric only are restricted to the heat output of the elements. Element size can be increased to full capacity of rail if using element type D or E. For element types see pages 718-729. For matching valves see pages 731-737. For indirect heating systems only. Tappings are approx. 25mm less than the width of the rail and approx. 80-110mm off the wall. Price includes radiator and wall fixing sets, valves extra.

Warranty

5

Year

Heating



All Electric



Dual-Fuel



Aluminium Range

CHARLTON VERTICAL



Pictured 89.0128 Matt White with 89.0134 Towel Hangers x3

A contemporary versatile radiator style, that come in a variety of sizes and three finishes, with an optional extra of stylish towel hangers.



All Electric



Dual-Fuel

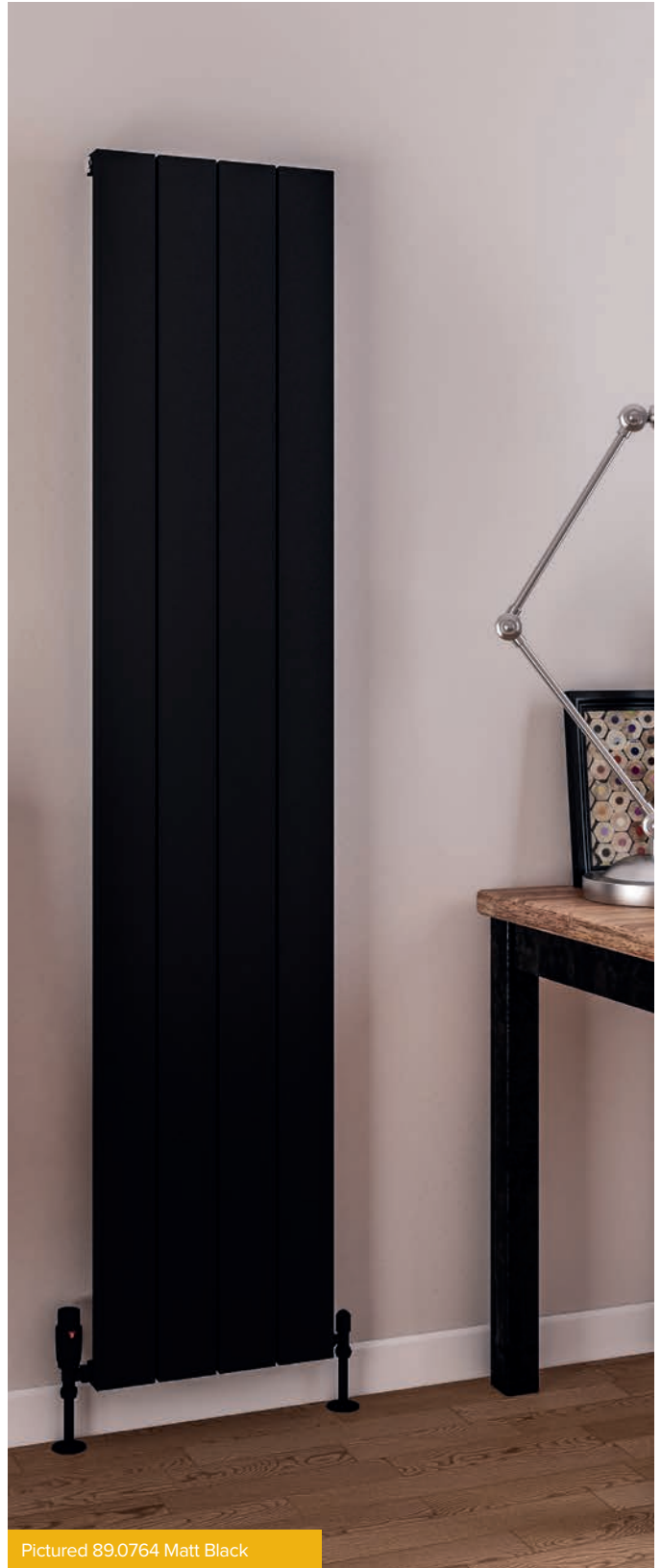


Warranty

5
Year



Heating



Pictured 89.0764 Matt Black

FEATURES

- Excellent heat conductivity and lightweight
 - Only requires a low water volume
 - Heats up very quickly
 - Radiators come with cover caps on top and bottom, same as radiator colour.
 - Can be single, dual fuel or all electric
 - Tested to BS EN 442 standards
 - 5 Year Manufacturer's Warranty*
- * With conditions

**Technical Tables
& Drawings**
Page 782-783



Aluminium Range

CHARLTON VERTICAL



Charlton Vertical Aluminium Radiators - Matt White

Size H x W	Watts	BTU	Element Output	Element Type	Code	£ Ex VAT	£ Inc VAT
600 x 280mm	305	1041	150W	A, A+, F, G	89.0758	173.00	207.60
1200 x 280mm	585	1997	300W	A, A+, F, G	89.0925	239.00	286.80
1200 x 375mm	775	2645	300W	A, A+, F, G	89.0926	307.00	368.40
1200 x 470mm	963	3286	450W	A, A+, F, G	89.0927	376.00	451.20
1200 x 565mm	1150	3924	600W	A, A+, F, G	89.0928	449.00	538.80
1800 x 280mm	844	2880	450W	A, A+, F, G	89.0128	292.00	350.40
1800 x 375mm	1119	3819	600W	A, A+, F, G	89.0130	378.00	453.60
1800 x 470mm	1391	4747	750W	A, A+, F, G	89.0132	456.00	547.20
1800 x 565mm	1661	5668	1000W	A, A+, F, G	89.0759	566.00	679.20

Charlton Vertical Aluminium Radiators - Matt Anthracite

Size H x W	Watts	BTU	Element Output	Element Type	Code	£ Ex VAT	£ Inc VAT
600 x 280mm	305	1041	150W	A, A+, F, G	89.0760	173.00	207.60
1200 x 280mm	585	1997	300W	A, A+, F, G	89.0958	239.00	286.80
1200 x 375mm	775	2645	300W	A, A+, F, G	89.0959	307.00	368.40
1200 x 470mm	963	3286	450W	A, A+, F, G	89.0960	376.00	451.20
1200 x 565mm	1150	3924	600W	A, A+, F, G	89.0961	449.00	538.80
1800 x 280mm	844	2880	450W	A, A+, F, G	89.0129	292.00	350.40
1800 x 375mm	1119	3819	600W	A, A+, F, G	89.0131	378.00	453.60
1800 x 470mm	1391	4747	750W	A, A+, F, G	89.0133	456.00	547.20
1800 x 565mm	1661	5668	1000W	A, A+, F, G	89.0761	566.00	679.20

Charlton Vertical Aluminium Radiators - Matt Black

Size H x W	Watts	BTU	Element Output	Element Type	Code	£ Ex VAT	£ Inc VAT
600 x 280mm	305	1041	150W	A, A+, F, G	89.0762	173.00	207.60
1200 x 280mm	585	1997	300W	A, A+, F, G	89.0979	239.00	286.80
1200 x 375mm	775	2645	300W	A, A+, F, G	89.0980	307.00	368.40
1200 x 470mm	963	3286	450W	A, A+, F, G	89.0981	376.00	451.20
1200 x 565mm	1150	3924	600W	A, A+, F, G	89.0982	449.00	538.80
1800 x 280mm	844	2880	450W	A, A+, F, G	89.0763	292.00	350.40
1800 x 375mm	1119	3819	600W	A, A+, F, G	89.0764	378.00	453.60
1800 x 470mm	1391	4747	750W	A, A+, F, G	89.0765	456.00	547.20
1800 x 565mm	1661	5668	1000W	A, A+, F, G	89.0766	566.00	679.20

Prices include radiator and wall fixing sets, valves and accessories extra.

TECHNICAL INFORMATION

All measurements in Height by Width. Heat output based on $\Delta T60^{\circ}\text{C}$. For matching valves see pages 731-737. Corrosion inhibitor must be added to the heating system and maintained. Flow diverter must only be fitted when radiator installed on central heating system. For indirect heating systems only. Tappings are the width of the rail and 33 or 53mm off the wall.



Pictured 89.0960 Matt Anthracite with 89.0182 Towel Hangers x2



Charlton Cover Cap Sets - Chrome

Description	Code	£ Ex VAT	£ Inc VAT
Cover Cap Set 280mm	89.0165	17.00	20.40
Cover Cap Set 375mm	89.0166	20.00	24.00
Cover Cap Set 470mm	89.0167	21.00	25.20
Cover Cap Set 565mm	89.0837	26.00	31.20

Cover cap sets only include cover caps for the top of the radiator.

For element types see pages 718-729.

Element can only be installed vertically on the right-hand side on the bottom header. Radiators that are electric only are restricted to the heat output of the elements. Element size can be increased to full capacity of rail if using element type F or G. For dual fuel installations, element must be installed on flow side.

Round Vent Caps

Page 741



Aluminium Range

CHARLTON HORIZONTAL



Pictured 89.0751 Matt Anthracite

A contemporary versatile radiator style, that come in three finishes, with an optional extra of stylish towel hangers.

Charlton Horizontal Aluminium Radiators - Matt White

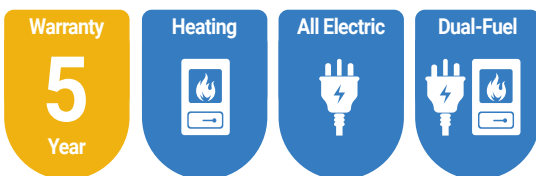
Size H x W	Watts	BTU	Element Output	Element Type	Code	£ Ex VAT	£ Inc VAT
600 x 470mm	503	1717	300W	A, A+, C, H	89.0743	240.00	288.00
600 x 660mm	697	2379	450W	A, A+, C, H	89.0744	316.00	379.20
600 x 850mm	890	3037	600W	A, A+, C, H	89.0745	395.00	474.00
600 x 1040mm	1081	3689	750W	A, A+, C, H	89.0746	469.00	562.80
600 x 1230mm	1271	4337	900W	A, A+, C, H	89.0747	552.00	662.40
600 x 1420mm	1460	4982	900W	A, A+, C, H	89.0929	646.00	775.20

Charlton Horizontal Aluminium Radiators - Matt Anthracite

Size H x W	Watts	BTU	Element Output	Element Type	Code	£ Ex VAT	£ Inc VAT
600 x 470mm	503	1717	300W	A, A+, C, H	89.0748	240.00	288.00
600 x 660mm	697	2379	450W	A, A+, C, H	89.0749	316.00	379.20
600 x 850mm	890	3037	600W	A, A+, C, H	89.0750	395.00	474.00
600 x 1040mm	1081	3689	750W	A, A+, C, H	89.0751	469.00	562.80
600 x 1230mm	1271	4337	900W	A, A+, C, H	89.0752	552.00	662.40
600 x 1420mm	1460	4982	900W	A, A+, C, H	89.0962	646.00	775.20

Charlton Horizontal Aluminium Radiators - Matt Black

Size H x W	Watts	BTU	Element Output	Element Type	Code	£ Ex VAT	£ Inc VAT
600 x 470mm	503	1717	300W	A, A+, C, H	89.0753	240.00	288.00
600 x 660mm	697	2379	450W	A, A+, C, H	89.0754	316.00	379.20
600 x 850mm	890	3037	600W	A, A+, C, H	89.0755	395.00	474.00
600 x 1040mm	1081	3689	750W	A, A+, C, H	89.0756	469.00	562.80
600 x 1230mm	1271	4337	900W	A, A+, C, H	89.0757	552.00	662.40
600 x 1420mm	1460	4982	900W	A, A+, C, H	89.0983	646.00	775.20



For element types see pages 718-729.

Element can only be installed horizontally on the bottom header. Radiators that are electric only are restricted to the heat output of the elements (Type C up to 900 watts).



FEATURES

- Excellent heat conductivity and lightweight
- Only requires a low water volume
- Heats up very quickly
- Radiators come with cover caps on top and bottom, same as radiator colour.
- Can be single, dual fuel or all electric
- Tested to BS EN 442 standards
- 5 Year Manufacturer's Warranty*

* With conditions

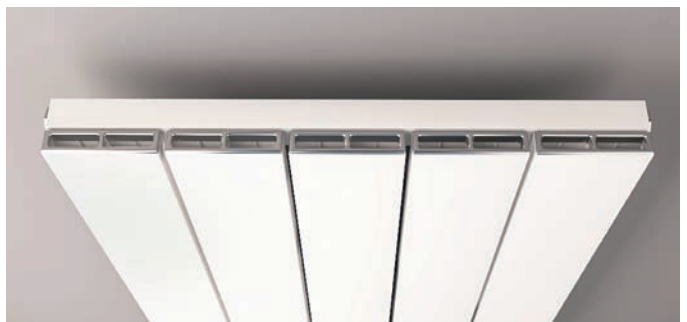
Technical Tables & Drawings

Page 782-783



TECHNICAL INFORMATION

All measurements in Height by Width. Heat output based on $\Delta T60^{\circ}\text{C}$. For matching valves see pages 731-737. Corrosion inhibitor must be added to the heating system and maintained. Flow diverter must only be fitted when radiator installed on central heating system. For indirect heating systems only. Tappings are the width of the rail and 33 or 53mm off the wall.



Charlton Cover Cap Sets - Chrome

Description	Code	£ Ex VAT	£ Inc VAT
Cover Cap Set 470mm	89.0167	21.00	25.20
Cover Cap Set 660mm	89.0838	31.00	37.20
Cover Cap Set 850mm	89.0839	38.00	45.60
Cover Cap Set 1040mm	89.0840	44.00	52.80
Cover Cap Set 1230mm	89.0841	53.00	63.60
Cover Cap Set 1420mm	89.1404	58.00	69.60

Cover cap sets only include cover caps for the top of the radiator.

Round Vent Caps

Page 741



Aluminium Range

CHARLTON STANDARD TOWEL HANGERS



Towel Hanger - Matt White			
Size	Code	£ Ex VAT	£ Inc VAT
280mm	89.0177	59.00	70.80
375mm	89.0178	62.00	74.40
470mm	89.0179	70.00	84.00
565mm	86.0333	74.00	88.80



Towel Hanger - Matt Anthracite			
Size	Code	£ Ex VAT	£ Inc VAT
280mm	89.0180	59.00	70.80
375mm	89.0181	62.00	74.40
470mm	89.0182	70.00	84.00
565mm	86.0334	74.00	88.80



Towel Hanger - Matt Black			
Size	Code	£ Ex VAT	£ Inc VAT
280mm	89.0183	59.00	70.80
375mm	89.0184	62.00	74.40
470mm	89.0185	70.00	84.00
565mm	86.0335	74.00	88.80



Towel Hanger - Chrome			
Size	Code	£ Ex VAT	£ Inc VAT
280mm	89.0134	50.00	60.00
375mm	89.0135	53.00	63.60
470mm	89.0136	61.00	73.20
565mm	86.0336	68.00	81.60

TECHNICAL INFORMATION

Material: **Steel (Premium: Stainless Steel - Grade 304)**

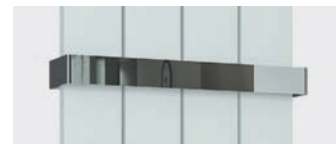
Vertical Radiators:

1200mm radiators come with 2 pre-drilled towel hanger locations with a maximum of 2 towel hangers and 1800mm height radiators come with 3 pre-drilled towel hanger locations with a maximum of 3 towel hangers - all widths; 280, 375, 470 and 565mm. 600mm height radiators come with 1 pre-drilled towel hanger location, with a maximum of 1 towel hanger - 280mm width. The standard towel hangers are only compatible with the Vertical Radiators.

Horizontal Radiators:

Don't have holes for Standard Towel Hangers (except 470mm width). Standard Towel Hanger can not be fitted. The Charlton Standard Towel Hangers will add approx 8mm width on each side once fitted to the radiator.

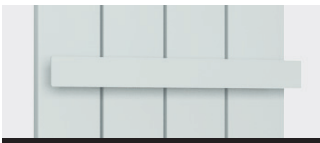
Can be fitted after installation only on high adjustment bracket fitting.



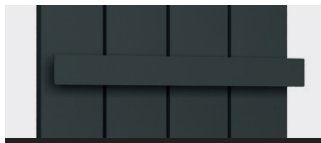
Towel Hanger - Mirror Polished Premium			
Size	Code	£ Ex VAT	£ Inc VAT
280mm	86.0198	69.00	82.80
375mm	86.0199	76.00	91.20
470mm	86.0200	82.00	98.40
565mm	86.0337	88.00	105.60

CHARLTON FLAT STYLE TOWEL HANGERS

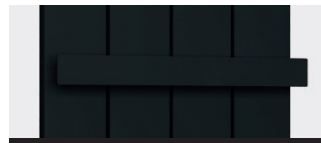
SINGLE FLAT STYLE



Towel Hanger - Matt White			
Size	Code	£ Ex VAT	£ Inc VAT
280mm	89.0283	68.00	81.60
375mm	89.0284	75.00	90.00
470mm	89.0285	84.00	100.80
565mm	91.0163	90.00	108.00
660mm	89.0286	95.00	114.00
850mm	89.0287	106.00	127.20



Towel Hanger - Matt Anthracite			
Size	Code	£ Ex VAT	£ Inc VAT
280mm	89.0288	68.00	81.60
375mm	89.0289	75.00	90.00
470mm	89.0290	84.00	100.80
565mm	91.0164	90.00	108.00
660mm	89.0291	95.00	114.00
850mm	89.0292	106.00	127.20



Towel Hanger - Matt Black			
Size	Code	£ Ex VAT	£ Inc VAT
280mm	89.0293	68.00	81.60
375mm	89.0294	75.00	90.00
470mm	89.0295	84.00	100.80
565mm	91.0165	90.00	108.00
660mm	89.0296	95.00	114.00
850mm	89.0297	106.00	127.20

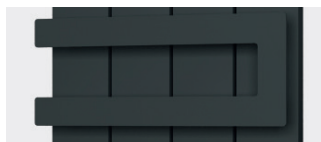


Towel Hanger - Chrome			
Size	Code	£ Ex VAT	£ Inc VAT
280mm	91.0094	93.00	111.60
375mm	91.0095	95.00	114.00
470mm	91.0096	97.00	116.40
565mm	91.0166	98.00	117.60
660mm	91.0097	102.00	122.40
850mm	91.0098	109.00	130.80

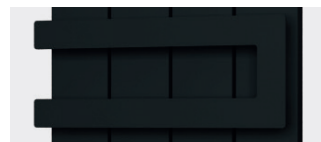
DOUBLE FLAT STYLE



Towel Hanger - Matt White			
Size	Code	£ Ex VAT	£ Inc VAT
280mm	89.0369	83.00	99.60
375mm	89.0370	87.00	104.40
470mm	89.0371	98.00	117.60
565mm	91.0167	108.00	129.60
660mm	89.0372	115.00	138.00
850mm	89.0373	128.00	153.60



Towel Hanger - Matt Anthracite			
Size	Code	£ Ex VAT	£ Inc VAT
280mm	89.0374	83.00	99.60
375mm	89.0375	87.00	104.40
470mm	89.0376	98.00	117.60
565mm	91.0168	108.00	129.60
660mm	89.0377	115.00	138.00
850mm	89.0378	128.00	153.60



Towel Hanger - Matt Black			
Size	Code	£ Ex VAT	£ Inc VAT
280mm	89.0379	83.00	99.60
375mm	89.0380	87.00	104.40
470mm	89.0381	98.00	117.60
565mm	91.0169	108.00	129.60
660mm	89.0382	115.00	138.00
850mm	89.0383	128.00	153.60



Towel Hanger - Chrome			
Size	Code	£ Ex VAT	£ Inc VAT
280mm	91.0114	118.00	141.60
375mm	91.0115	123.00	147.60
470mm	91.0116	125.00	150.00
565mm	91.0170	131.00	157.20
660mm	91.0117	135.00	162.00
850mm	91.0118	146.00	175.20

TECHNICAL INFORMATION

Material: **Steel**

Vertical and Horizontal Radiators:

Flat & Double Flat Style Hangers are compatible with both Vertical and Horizontal radiators. (Depending on the radiators and hangers width)

Must be fitted before installation!

Hanger Fitting Widths
96/191/286/381/476/666mm



Hanger Fitting Widths
96/191/286/381/476/666mm



Aluminium Range

WITHINGTON VERTICAL






Pictured 89.0142 Matt Anthracite with 86.0079 Towel Hangers x3 & 89.0170 Cover Caps x2



Pictured 89.0139 Matt White with 101.0058 Towel Hanger

An elegant aluminium radiator with clean lines which will be the centre of attention in any room. Towel hangers and chrome caps are available as an additional extras.

<p>Warranty</p> <p>5</p> <p>Year</p>	<p>Heating</p> 	<p>All Electric</p> 	<p>Dual-Fuel</p> 
---	--	---	--

FEATURES

- Excellent heat conductivity and lightweight
 - Heats up very quickly
 - Only requires a low water volume
 - Radiators come with cover caps on top and bottom, same as radiator colour. Matt Cobalt Blue radiators come with Chrome Cover Caps
 - Can be single, dual fuel or all electric
 - Tested to BS EN 442 standards
 - 5 Year Manufacturer's Warranty*
- * With conditions

Technical Tables & Drawings
Page 784-785



Aluminium Range



An elegant designer radiator with clean lines which will be the centre of attention in any room. Towel hangers and chrome caps are available as additional extras.

Withington Aluminium Radiators - Matt White

Size H x W	Watts	BTU	Element Output	Element Type	Code	£ Ex VAT	£ Inc VAT
600 x 280mm	305	1041	150W	A, A+, F, G	89.0782	173.00	207.60
1200 x 280mm	559	1908	300W	A, A+, F, G	89.0930	239.00	286.80
1200 x 375mm	742	2532	300W	A, A+, F, G	89.0931	307.00	368.40
1200 x 470mm	922	3146	450W	A, A+, F, G	89.0932	376.00	451.20
1200 x 565mm	1101	3757	600W	A, A+, F, G	89.0933	449.00	538.80
1800 x 280mm	812	2771	450W	A, A+, F, G	89.0137	292.00	350.40
1800 x 375mm	1076	3672	600W	A, A+, F, G	89.0139	378.00	453.60
1800 x 470mm	1338	4566	750W	A, A+, F, G	89.0141	456.00	547.20
1800 x 565mm	1598	5453	1000W	A, A+, F, G	89.0783	566.00	679.20

Withington Aluminium Radiators - Matt Anthracite

Size H x W	Watts	BTU	Element Output	Element Type	Code	£ Ex VAT	£ Inc VAT
600 x 280mm	305	1041	150W	A, A+, F, G	89.0784	173.00	207.60
1200 x 280mm	559	1908	300W	A, A+, F, G	89.0963	239.00	286.80
1200 x 375mm	742	2532	300W	A, A+, F, G	89.0964	307.00	368.40
1200 x 470mm	922	3146	450W	A, A+, F, G	89.0965	376.00	451.20
1200 x 565mm	1101	3757	600W	A, A+, F, G	89.0966	449.00	538.80
1800 x 280mm	812	2771	450W	A, A+, F, G	89.0138	292.00	350.40
1800 x 375mm	1076	3672	600W	A, A+, F, G	89.0140	378.00	453.60
1800 x 470mm	1338	4566	750W	A, A+, F, G	89.0142	456.00	547.20
1800 x 565mm	1598	5453	1000W	A, A+, F, G	89.0785	566.00	679.20

Withington Aluminium Radiators - Matt Black

Size H x W	Watts	BTU	Element Output	Element Type	Code	£ Ex VAT	£ Inc VAT
600 x 280mm	305	1041	150W	A, A+, F, G	89.0786	173.00	207.60
1200 x 280mm	559	1908	300W	A, A+, F, G	89.0984	239.00	286.80
1200 x 375mm	742	2532	300W	A, A+, F, G	89.0985	307.00	368.40
1200 x 470mm	922	3146	450W	A, A+, F, G	89.0986	376.00	451.20
1200 x 565mm	1101	3757	600W	A, A+, F, G	89.0987	449.00	538.80
1800 x 280mm	812	2771	450W	A, A+, F, G	89.0787	292.00	350.40
1800 x 375mm	1076	3672	600W	A, A+, F, G	89.0788	378.00	453.60
1800 x 470mm	1338	4566	750W	A, A+, F, G	89.0789	456.00	547.20
1800 x 565mm	1598	5453	1000W	A, A+, F, G	89.0790	566.00	679.20

Withington Aluminium Radiators - Matt Cobalt Blue

Size H x W	Watts	BTU	Element Output	Element Type	Code	£ Ex VAT	£ Inc VAT
1800 x 280mm	812	2771	450W	A, A+, F, G	89.1608	292.00	350.40
1800 x 375mm	1076	3672	600W	A, A+, F, G	89.1609	378.00	453.60
1800 x 470mm	1338	4566	750W	A, A+, F, G	89.1610	456.00	547.20

Prices include radiator and wall fixing sets, valves and accessories extra.

WITHINGTON VERTICAL



Pictured 89.0987 Matt Black

TECHNICAL INFORMATION

All measurements in Height by Width. Heat output based on $\Delta T60^{\circ}\text{C}$. For matching valves see pages 731-737. Corrosion inhibitor must be added to the heating system and maintained. Flow diverter must only be fitted when radiator installed on central heating system. For indirect heating systems only. Tappings are the width of the rail and 33 or 53mm off the wall.



Withington Cover Cap Sets - Chrome

Description	Code	£ Ex VAT	£ Inc VAT
Cover Cap Set 280mm	89.0168	17.00	20.40
Cover Cap Set 375mm	89.0169	20.00	24.00
Cover Cap Set 470mm	89.0170	21.00	25.20
Cover Cap Set 565mm	89.0842	26.00	31.20

Cover Caps Chrome: The cover cap set only includes cover caps for the top or the bottom of the radiator.

Round Vent Caps

Page 741



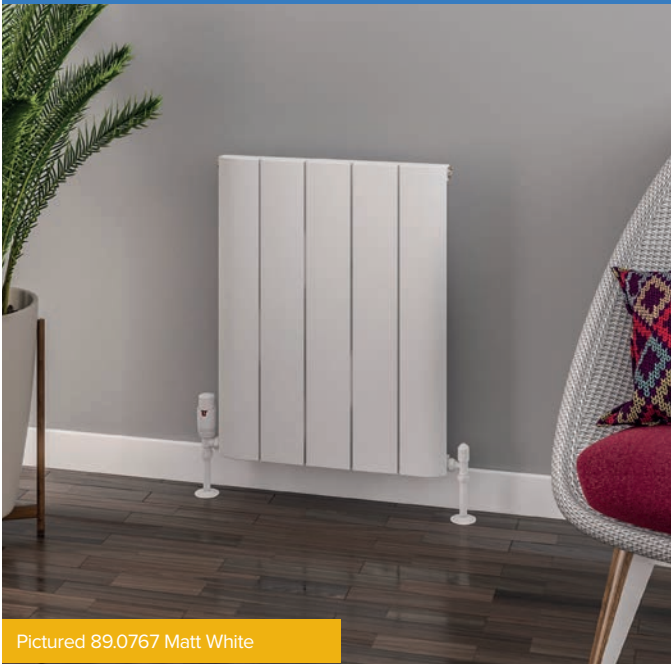
For element types see pages 718-729.

Element can only be installed vertically on the right-hand side on the bottom header. Radiators that are electric only are restricted to the heat output of the elements. Element size can be increased to full capacity of rail if using element type F or G. For dual fuel installations, element must be installed on flow side.



Aluminium Range

WITHINGTON HORIZONTAL



Pictured 89.0767 Matt White



Pictured 89.1612 Matt Cobalt Blue

A contemporary versatile radiator style, that come in four finishes, with an optional extra of stylish towel hangers.

Withington Horizontal Aluminium Radiators - Matt White

Size H x W	Watts	BTU	Element Output	Element Type	Code	£ Ex VAT	£ Inc VAT
600 x 470mm	502	1713	300W	A, A+, C, H	89.0767	240.00	288.00
600 x 660mm	697	2379	450W	A, A+, C, H	89.0768	316.00	379.20
600 x 850mm	889	3034	600W	A, A+, C, H	89.0769	395.00	474.00
600 x 1040mm	1080	3685	750W	A, A+, C, H	89.0770	469.00	562.80
600 x 1230mm	1270	4334	900W	A, A+, C, H	89.0771	552.00	662.40
600 x 1420mm	1459	4979	900W	A, A+, C, H	89.0934	646.00	775.20

Withington Horizontal Aluminium Radiators - Matt Anthracite

Size H x W	Watts	BTU	Element Output	Element Type	Code	£ Ex VAT	£ Inc VAT
600 x 470mm	502	1713	300W	A, A+, C, H	89.0772	240.00	288.00
600 x 660mm	697	2379	450W	A, A+, C, H	89.0773	316.00	379.20
600 x 850mm	889	3034	600W	A, A+, C, H	89.0774	395.00	474.00
600 x 1040mm	1080	3685	750W	A, A+, C, H	89.0775	469.00	562.80
600 x 1230mm	1270	4334	900W	A, A+, C, H	89.0776	552.00	662.40
600 x 1420mm	1459	4979	900W	A, A+, C, H	89.0967	646.00	775.20

Withington Horizontal Aluminium Radiators - Matt Black

Size H x W	Watts	BTU	Element Output	Element Type	Code	£ Ex VAT	£ Inc VAT
600 x 470mm	502	1713	300W	A, A+, C, H	89.0777	240.00	288.00
600 x 660mm	697	2379	450W	A, A+, C, H	89.0778	316.00	379.20
600 x 850mm	889	3034	600W	A, A+, C, H	89.0779	395.00	474.00
600 x 1040mm	1080	3685	750W	A, A+, C, H	89.0780	469.00	562.80
600 x 1230mm	1270	4334	900W	A, A+, C, H	89.0781	552.00	662.40
600 x 1420mm	1459	4979	900W	A, A+, C, H	89.0988	646.00	775.20

Withington Horizontal Aluminium Radiators - Matt Cobalt Blue

Size H x W	Watts	BTU	Element Output	Element Type	Code	£ Ex VAT	£ Inc VAT
600 x 470mm	502	1713	300W	A, A+, C, H	89.1611	240.00	288.00
600 x 660mm	697	2379	450W	A, A+, C, H	89.1612	316.00	379.20
600 x 850mm	889	3034	600W	A, A+, C, H	89.1613	395.00	474.00
600 x 1040mm	1080	3685	750W	A, A+, C, H	89.1614	469.00	562.80
600 x 1230mm	1270	4334	900W	A, A+, C, H	89.1615	552.00	662.40

Prices include radiator and wall fixing sets, valves and accessories extra.

For element types see pages 718-729.

Element can only be installed horizontally on the bottom header. Radiators that are electric only are restricted to the heat output of the elements (Type C up to 900 watts).



5

Year

FEATURES

- Excellent heat conductivity and lightweight
 - Heats up very quickly
 - Only requires a low water volume
 - Radiators come with cover caps on top and bottom, same as radiator colour. Matt Cobalt Blue radiators come with Chrome Cover Caps
 - Can be single, dual fuel or all electric
 - Tested to BS EN 442 standards
 - 5 Year Manufacturer's Warranty*
- * With conditions

Technical Tables & Drawings
Page 784-785



TECHNICAL INFORMATION

All measurements in Height by Width. Heat output based on $\Delta T60^{\circ}\text{C}$. For matching valves see pages 731-737. Corrosion inhibitor must be added to the heating system and maintained. Flow diverter must only be fitted when radiator installed on central heating system. For indirect heating systems only. Tappings are the width of the rail and 33 or 53mm off the wall.



Withington Cover Cap Sets - Chrome

Description	Code	£ Ex VAT	£ Inc VAT
Cover Cap Set 470mm	89.0170	21.00	25.20
Cover Cap Set 660mm	89.0843	31.00	37.20
Cover Cap Set 850mm	89.0844	38.00	45.60
Cover Cap Set 1040mm	89.0845	44.00	52.80
Cover Cap Set 1230mm	89.0846	53.00	63.60
Cover Cap Set 1420mm	89.1405	58.00	69.60

Cover Caps Chrome: The cover cap set only includes cover caps for the top or the bottom of the radiator.

Round Vent Caps Page 741



Aluminium Range

WITHINGTON STANDARD TOWEL HANGERS



Towel Hanger - Matt White			
Size	Code	£ Ex VAT	£ Inc VAT
280mm	89.0186	59.00	70.80
375mm	89.0187	62.00	74.40
470mm	89.0188	70.00	84.00
565mm	86.0338	74.00	88.80



Towel Hanger - Matt Anthracite			
Size	Code	£ Ex VAT	£ Inc VAT
280mm	89.0189	59.00	70.80
375mm	89.0190	62.00	74.40
470mm	89.0191	70.00	84.00
565mm	86.0339	74.00	88.80



Towel Hanger - Matt Black			
Size	Code	£ Ex VAT	£ Inc VAT
280mm	89.0192	59.00	70.80
375mm	89.0193	62.00	74.40
470mm	89.0194	70.00	84.00
565mm	86.0340	74.00	88.80



Towel Hanger - Chrome			
Size	Code	£ Ex VAT	£ Inc VAT
280mm	86.0077	50.00	60.00
375mm	86.0078	59.00	70.80
470mm	86.0079	65.00	78.00
565mm	86.0341	68.00	81.60



Towel Hanger - Mirror Polished Premium			
Size	Code	£ Ex VAT	£ Inc VAT
280mm	86.0201	69.00	82.80
375mm	86.0202	76.00	91.20
470mm	86.0203	82.00	98.40
565mm	86.0342	88.00	105.60

TECHNICAL INFORMATION

Material: Steel (Premium: Stainless Steel - Grade 304)

Vertical Radiators:

1200mm radiators come with 2 pre-drilled towel hanger locations with a maximum of 2 towel hangers and 1800mm height radiators come with 3 pre-drilled towel hanger locations with a maximum of 3 towel hangers - all widths; 280, 375, 470 and 565mm. 600mm height radiators come with 1 pre-drilled towel hanger location, with a maximum of 1 towel hanger - 280mm width. The standard towel hangers are only compatible with the Vertical Radiators.

Horizontal Radiators:

Don't have holes for Standard Towel Hangers (except 470mm width). Standard Towel Hanger can not be fitted. The Withington Standard Towel Hangers will add approx 8mm width on each side once fitted to the radiator.

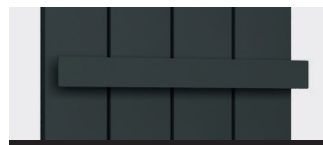
Can be fitted after installation only on high adjustment bracket fitting.

WITHINGTON FLAT STYLE TOWEL HANGERS

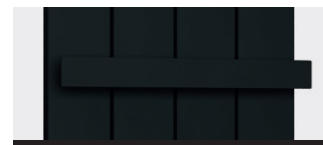
SINGLE FLAT STYLE



Towel Hanger - Matt White			
Size	Code	£ Ex VAT	£ Inc VAT
280mm	89.0283	68.00	81.60
375mm	89.0284	75.00	90.00
470mm	89.0285	84.00	100.80
565mm	91.0163	90.00	108.00
660mm	89.0286	95.00	114.00
850mm	89.0287	106.00	127.20



Towel Hanger - Matt Anthracite			
Size	Code	£ Ex VAT	£ Inc VAT
280mm	89.0288	68.00	81.60
375mm	89.0289	75.00	90.00
470mm	89.0290	84.00	100.80
565mm	91.0164	90.00	108.00
660mm	89.0291	95.00	114.00
850mm	89.0292	106.00	127.20



Towel Hanger - Matt Black			
Size	Code	£ Ex VAT	£ Inc VAT
280mm	89.0293	68.00	81.60
375mm	89.0294	75.00	90.00
470mm	89.0295	84.00	100.80
565mm	91.0165	90.00	108.00
660mm	89.0296	95.00	114.00
850mm	89.0297	106.00	127.20

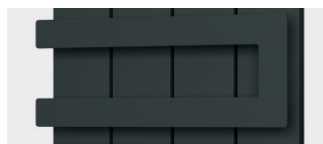


Towel Hanger - Chrome			
Size	Code	£ Ex VAT	£ Inc VAT
280mm	91.0094	93.00	111.60
375mm	91.0095	95.00	114.00
470mm	91.0096	97.00	116.40
565mm	91.0166	98.00	117.60
660mm	91.0097	102.00	122.40
850mm	91.0098	109.00	130.80

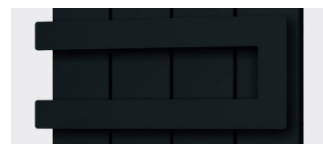
DOUBLE FLAT STYLE



Towel Hanger - Matt White			
Size	Code	£ Ex VAT	£ Inc VAT
280mm	89.0369	83.00	99.60
375mm	89.0370	87.00	104.40
470mm	89.0371	98.00	117.60
565mm	91.0167	108.00	129.60
660mm	89.0372	115.00	138.00
850mm	89.0373	128.00	153.60



Towel Hanger - Matt Anthracite			
Size	Code	£ Ex VAT	£ Inc VAT
280mm	89.0374	83.00	99.60
375mm	89.0375	87.00	104.40
470mm	89.0376	98.00	117.60
565mm	91.0168	108.00	129.60
660mm	89.0377	115.00	138.00
850mm	89.0378	128.00	153.60



Towel Hanger - Matt Black			
Size	Code	£ Ex VAT	£ Inc VAT
280mm	89.0379	83.00	99.60
375mm	89.0380	87.00	104.40
470mm	89.0381	98.00	117.60
565mm	91.0169	108.00	129.60
660mm	89.0382	115.00	138.00
850mm	89.0383	128.00	153.60



Towel Hanger - Chrome			
Size	Code	£ Ex VAT	£ Inc VAT
280mm	91.0114	118.00	141.60
375mm	91.0115	123.00	147.60
470mm	91.0116	125.00	150.00
565mm	91.0170	131.00	157.20
660mm	91.0117	135.00	162.00
850mm	91.0118	146.00	175.20

TECHNICAL INFORMATION

Material: Steel

Vertical and Horizontal Radiators:

Flat & Double Flat Style Hangers are compatible with both Vertical and Horizontal radiators. (Depending on the radiators and hangers width)

Must be fitted before installation!

Hanger Fitting Widths
96/191/286/381/476/666mm



Hanger Fitting Widths
96/191/286/381/476/666mm



Aluminium Range

MALMESBURY VERTICAL

Technical Tables & Drawings
Page 784-785



An aluminium radiator range available in both Vertical and Horizontal designs in Matt White, Matt Anthracite, Matt Cappuccino or Matt Grey finishes. Optional extras include chrome cover caps and towel hangers.

FEATURES

- Excellent heat conductivity and lightweight
- Only requires a low water volume
- Heats up very quickly
- Radiators come with cover caps on top and bottom, same as radiator colour
- Can be single, dual fuel or all electric
- Tested to BS EN 442 standards
- 5 Year Manufacturer's Warranty*
- * With conditions



Warranty

5

Year

Heating

All Electric

Dual-Fuel

Pictured 89.0148 Matt White with 89.0883L Multi-Purpose Towel Hanger (See page 726)



Pictured 89.0279 Matt Grey with 89.0301 Towel Hangers

Aluminium Range

MALMESBURY VERTICAL

Malmesbury Vertical Aluminium Radiators - Matt White							
Size H x W	Watts	BTU	Element Output	Element Type	Code	£ Ex VAT	£ Inc VAT
1200 x 185mm	375	1280	150W	A, A+, F, G	89.0935	178.00	213.60
1200 x 280mm	554	1891	300W	A, A+, F, G	89.0936	253.00	303.60
1200 x 375mm	730	2491	300W	A, A+, F, G	89.0937	326.00	391.20
1200 x 470mm	903	3082	450W	A, A+, F, G	89.0938	398.00	477.60
1200 x 565mm	1074	3665	600W	A, A+, F, G	89.0939	476.00	571.20
1800 x 185mm	544	1857	300W	A, A+, F, G	89.0277	220.00	264.00
1800 x 280mm	804	2744	450W	A, A+, F, G	89.0146	311.00	373.20
1800 x 375mm	1060	3617	600W	A, A+, F, G	89.0148	396.00	475.20
1800 x 470mm	1311	4474	750W	A, A+, F, G	89.0150	484.00	580.80
1800 x 565mm	1560	5323	1000W	A, A+, F, G	89.0739	583.00	699.60

Malmesbury Vertical Aluminium Radiators - Matt Grey							
Size H x W	Watts	BTU	Element Output	Element Type	Code	£ Ex VAT	£ Inc VAT
1200 x 185mm	375	1280	150W	A, A+, F, G	89.0946	178.00	213.60
1200 x 280mm	554	1891	300W	A, A+, F, G	89.0947	253.00	303.60
1200 x 375mm	730	2491	300W	A, A+, F, G	89.0948	326.00	391.20
1200 x 470mm	903	3082	450W	A, A+, F, G	89.0949	398.00	477.60
1200 x 565mm	1074	3665	600W	A, A+, F, G	89.0950	476.00	571.20
1800 x 185mm	544	1857	300W	A, A+, F, G	89.0279	220.00	264.00
1800 x 280mm	804	2744	450W	A, A+, F, G	89.0280	311.00	373.20
1800 x 375mm	1060	3617	600W	A, A+, F, G	89.0281	396.00	475.20
1800 x 470mm	1311	4474	750W	A, A+, F, G	89.0282	484.00	580.80
1800 x 565mm	1560	5323	1000W	A, A+, F, G	89.0740	583.00	699.60

Malmesbury Vertical Aluminium Radiators - Matt Anthracite							
Size H x W	Watts	BTU	Element Output	Element Type	Code	£ Ex VAT	£ Inc VAT
1200 x 185mm	375	1280	150W	A, A+, F, G	89.0968	178.00	213.60
1200 x 280mm	554	1891	300W	A, A+, F, G	89.0969	253.00	303.60
1200 x 375mm	730	2491	300W	A, A+, F, G	89.0970	326.00	391.20
1200 x 470mm	903	3082	450W	A, A+, F, G	89.0971	398.00	477.60
1200 x 565mm	1074	3665	600W	A, A+, F, G	89.0972	476.00	571.20
1800 x 185mm	544	1857	300W	A, A+, F, G	89.0278	220.00	264.00
1800 x 280mm	804	2744	450W	A, A+, F, G	89.0147	311.00	373.20
1800 x 375mm	1060	3617	600W	A, A+, F, G	89.0149	396.00	475.20
1800 x 470mm	1311	4474	750W	A, A+, F, G	89.0151	484.00	580.80
1800 x 565mm	1560	5323	1000W	A, A+, F, G	89.0742	583.00	699.60

Malmesbury Vertical Aluminium Radiators - Matt Cappuccino							
Size H x W	Watts	BTU	Element Output	Element Type	Code	£ Ex VAT	£ Inc VAT
1200 x 185mm	375	1280	150W	A, A+, F, G	89.0952	178.00	213.60
1200 x 280mm	554	1891	300W	A, A+, F, G	89.0953	253.00	303.60
1200 x 375mm	730	2491	300W	A, A+, F, G	89.0954	326.00	391.20
1200 x 470mm	903	3082	450W	A, A+, F, G	89.0955	398.00	477.60
1200 x 565mm	1074	3665	600W	A, A+, F, G	89.0956	476.00	571.20
1800 x 185mm	544	1857	300W	A, A+, F, G	89.0477	244.00	292.80
1800 x 280mm	804	2744	450W	A, A+, F, G	89.0478	345.00	414.00
1800 x 375mm	1060	3617	600W	A, A+, F, G	89.0479	444.00	532.80
1800 x 470mm	1311	4474	750W	A, A+, F, G	89.0480	543.00	651.60
1800 x 565mm	1560	5323	1000W	A, A+, F, G	89.0741	642.00	770.40

Prices include radiator and wall fixing sets, valves and accessories extra.

TECHNICAL INFORMATION

All measurements in Height by Width. Heat output based on ▲T60°C. For matching valves see pages 731-737. Corrosion inhibitor must be added to the heating system and maintained. Flow diverter must only be fitted when radiator installed on central heating system. For indirect heating systems only. Tappings are the width of the rail and 33 or 53mm off the wall.

Round Vent Caps

Page 741



For all Malmesbury Matt White, Matt Anthracite, Matt Cappuccino, Matt Grey & Chrome Towel Hangers, please refer to [page 627](#).



SWATCHES AVAILABLE



Pictured 89.0742 Matt Anthracite with 89.0212 Towel Hangers x3

For element types see pages 718-729.

Element can only be installed vertically on the right-hand side on the bottom header. Radiators that are electric only are restricted to the heat output of the elements. Element size can be increased to full capacity of rail if using element type F or G. For dual fuel installations, element must be installed on flow side.



Malmesbury Cover Caps - Chrome			
Description	Code	£ Ex VAT	£ Inc VAT
Cover Cap Set 185mm	89.0422	18.00	21.60
Cover Cap Set 280mm	89.0171	18.00	21.60
Cover Cap Set 375mm	89.0172	20.00	24.00
Cover Cap Set 470mm	89.0173	22.00	26.40
Cover Cap Set 565mm	89.0174	26.00	31.20

Cover Caps Chrome The cover cap set only includes cover caps for the top or the bottom of the radiator.

Aluminium Range

MALMESBURY HORIZONTAL



Pictured 89.0425 Matt White

An aluminium radiator range available in both vertical and horizontal designs in matt white, matt anthracite, matt cappuccino or matt grey finishes. Optional extras include chrome cover caps and towel hangers.

500mm Height

Malmesbury Horizontal Aluminium Radiators - Matt White

Size H x W	Watts	BTU	Element Output	Element Type	Code	£ Ex VAT	£ Inc VAT
500 x 375mm	340	1161	150W	A, A+, C, H	89.0432	185.00	222.00
500 x 470mm	421	1437	150W	A, A+, C, H	89.0433	230.00	276.00
500 x 565mm	500	1706	300W	A, A+, C, H	89.0434	271.00	325.20

Malmesbury Horizontal Aluminium Radiators - Matt Grey

Size H x W	Watts	BTU	Element Output	Element Type	Code	£ Ex VAT	£ Inc VAT
500 x 375mm	340	1161	150W	A, A+, C, H	89.0435	185.00	222.00
500 x 470mm	421	1437	150W	A, A+, C, H	89.0436	230.00	276.00
500 x 565mm	500	1706	300W	A, A+, C, H	89.0437	271.00	325.20

Malmesbury Horizontal Aluminium Radiators - Matt Anthracite

Size H x W	Watts	BTU	Element Output	Element Type	Code	£ Ex VAT	£ Inc VAT
500 x 375mm	340	1161	150W	A, A+, C, H	89.0438	185.00	222.00
500 x 470mm	421	1437	150W	A, A+, C, H	89.0439	230.00	276.00
500 x 565mm	500	1706	300W	A, A+, C, H	89.0440	271.00	325.20

FEATURES

- Excellent heat conductivity and lightweight
 - Only requires a low water volume
 - Heats up very quickly
 - Radiators come with cover caps on top and bottom, same as radiator colour.
 - Can be single, dual fuel or all electric
 - Tested to BS EN 442 standards
 - 5 Year Manufacturer's Warranty*
- * With conditions

Technical Tables & Drawings
Page 784-785



Round Vent Caps

Page 741



Warranty

5

Year

Heating

All Electric

Dual-Fuel

Aluminium Range

600mm Height

Malmesbury Horizontal Aluminium Radiators - Matt White

Size H x W	Watts	BTU	Element Output	Element Type	Code	£ Ex VAT	£ Inc VAT
600 x 375mm	397	1355	150W	A, A+, C, H	89.0152	200.00	240.00
600 x 470mm	491	1676	300W	A, A+, C, H	89.0154	248.00	297.60
600 x 565mm	585	1997	300W	A, A+, C, H	89.0156	292.00	350.40
600 x 850mm	859	2931	450W	A, A+, C, H	89.0423	415.00	498.00
600 x 1040mm	1039	3546	600W	A, A+, C, H	89.0424	504.00	604.80
600 x 1230mm	1217	4153	750W	A, A+, C, H	89.0425	597.00	716.40
600 x 1420mm	1394	4757	900W	A, A+, C, H	89.0940	742.00	890.40

Malmesbury Horizontal Aluminium Radiators - Matt Grey

Size H x W	Watts	BTU	Element Output	Element Type	Code	£ Ex VAT	£ Inc VAT
600 x 375mm	397	1355	150W	A, A+, C, H	89.0274	200.00	240.00
600 x 470mm	491	1676	300W	A, A+, C, H	89.0275	248.00	297.60
600 x 565mm	585	1997	300W	A, A+, C, H	89.0276	292.00	350.40
600 x 850mm	859	2931	450W	A, A+, C, H	89.0426	415.00	498.00
600 x 1040mm	1039	3546	600W	A, A+, C, H	89.0427	504.00	604.80
600 x 1230mm	1217	4153	750W	A, A+, C, H	89.0428	597.00	716.40
600 x 1420mm	1394	4757	900W	A, A+, C, H	89.0951	742.00	890.40

Malmesbury Horizontal Aluminium Radiators - Matt Anthracite

Size H x W	Watts	BTU	Element Output	Element Type	Code	£ Ex VAT	£ Inc VAT
600 x 375mm	397	1355	150W	A, A+, C, H	89.0153	200.00	240.00
600 x 470mm	491	1676	300W	A, A+, C, H	89.0155	248.00	297.60
600 x 565mm	585	1997	300W	A, A+, C, H	89.0157	292.00	350.40
600 x 850mm	859	2931	450W	A, A+, C, H	89.0429	415.00	498.00
600 x 1040mm	1039	3546	600W	A, A+, C, H	89.0430	504.00	604.80
600 x 1230mm	1217	4153	750W	A, A+, C, H	89.0431	597.00	716.40
600 x 1420mm	1394	4757	900W	A, A+, C, H	89.0973	742.00	890.40

Malmesbury Horizontal Aluminium Radiators - Matt Cappuccino

Size H x W	Watts	BTU	Element Output	Element Type	Code	£ Ex VAT	£ Inc VAT
600 x 375mm	397	1355	150W	A, A+, C, H	89.0481	225.00	270.00
600 x 470mm	491	1676	300W	A, A+, C, H	89.0482	280.00	336.00
600 x 565mm	585	1997	300W	A, A+, C, H	89.0483	327.00	392.40
600 x 850mm	859	2931	450W	A, A+, C, H	89.0484	488.00	585.60
600 x 1040mm	1039	3546	600W	A, A+, C, H	89.0485	593.00	711.60
600 x 1230mm	1217	4153	750W	A, A+, C, H	89.0486	702.00	842.40
600 x 1420mm	1394	4757	900W	A, A+, C, H	89.0957	742.00	890.40



Malmesbury Cover Caps - Chrome

Description	Code	£ Ex VAT	£ Inc VAT
Cover Cap Set 375mm	89.0172	20.00	24.00
Cover Cap Set 470mm	89.0173	22.00	26.40
Cover Cap Set 565mm	89.0174	26.00	31.20
Cover Cap Set 850mm	89.0497	35.00	42.00
Cover Cap Set 1040mm	89.0498	41.00	49.20
Cover Cap Set 1230mm	89.0499	47.00	56.40
Cover Cap Set 1420mm	89.1406	52.00	62.40

Cover Caps Chrome The cover cap set only includes cover caps for the top or the bottom of the radiator.

For element types see pages 718-729.

Element can only be installed horizontally on the bottom header. Radiators that are electric only are restricted to the heat output of the elements (Type C can be increased up to full capacity of 900 watts).



MALMESBURY HORIZONTAL



Pictured 89.0439 Matt Anthracite with 89.0160 Towel Hanger



Pictured 89.0437 Matt Grey

TECHNICAL INFORMATION

All measurements in Height by Width. Heat output based on $\Delta T60^{\circ}\text{C}$. For matching valves see pages 731-737. Corrosion inhibitor must be added to the heating system and maintained. Flow diverter must only be fitted when radiator installed on central heating system. For indirect heating systems only. Tappings are the width of the rail and 33 or 53mm off the wall.

Aluminium Range

MATT WHITE

COMPLETE THE LOOK

Pictured below:
Oslo 44 Internal Drawer Unit

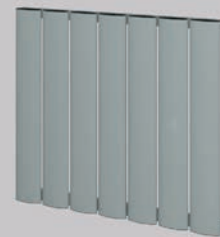


SWATCHES AVAILABLE

MATT GREY

COMPLETE THE LOOK

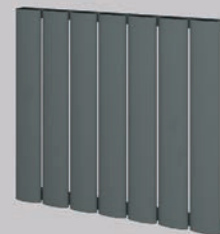
Pictured below:
Helston Tap Basin Mono



MATT ANTHRACITE

COMPLETE THE LOOK

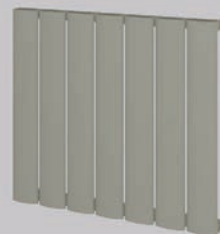
Pictured below:
Oslo 44 Drawer Unit



MATT CAPPUCCINO

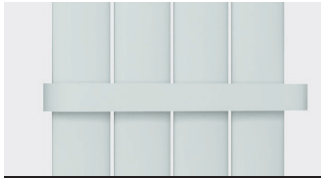
COMPLETE THE LOOK

Pictured below:
Helston Tap Basin Mono

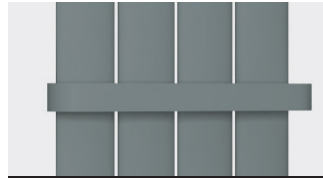


Aluminium Range

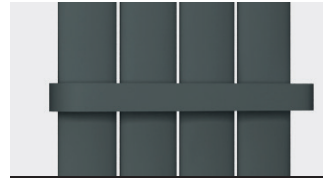
MALMESBURY STANDARD TOWEL HANGERS



Towel Hanger - Matt White			
Size	Code	£ Ex VAT	£ Inc VAT
185mm	89.0298	44.00	52.80
280mm	89.0215	53.00	63.60
375mm	89.0207	60.00	72.00
470mm	89.0208	68.00	81.60
565mm	89.0209	72.00	86.40



Towel Hanger - Matt Grey			
Size	Code	£ Ex VAT	£ Inc VAT
185mm	89.0300	44.00	52.80
280mm	89.0302	53.00	63.60
375mm	89.0303	60.00	72.00
470mm	89.0304	68.00	81.60
565mm	89.0305	72.00	86.40



Towel Hanger - Matt Anthracite			
Size	Code	£ Ex VAT	£ Inc VAT
185mm	89.0299	44.00	52.80
280mm	89.0216	53.00	63.60
375mm	89.0210	60.00	72.00
470mm	89.0211	68.00	81.60
565mm	89.0212	72.00	86.40



Towel Hanger - Matt Cappuccino			
Size	Code	£ Ex VAT	£ Inc VAT
185mm	89.0487	44.00	52.80
280mm	89.0488	53.00	63.60
375mm	89.0489	60.00	72.00
470mm	89.0490	68.00	81.60
565mm	89.0491	72.00	86.40



Towel Hanger - Chrome			
Size	Code	£ Ex VAT	£ Inc VAT
185mm	89.0301	44.00	52.80
280mm	89.0158	50.00	60.00
375mm	89.0159	53.00	63.60
470mm	89.0160	61.00	73.20
565mm	89.0176	66.00	79.20

TECHNICAL INFORMATION

Vertical Radiators:

1200mm radiators come with 2 pre-drilled towel hanger locations with a maximum of 2 towel hangers and 1800mm height radiators come with 3 pre-drilled towel hanger locations with a maximum of 3 towel hangers - all widths; 185, 280, 375, 470 and 565mm. The standard towel hangers are only compatible with the Vertical Radiators.

Can be fitted after installation only on high adjustment bracket fitting.

Material: **Steel**

Horizontal Radiators:

500mm & 600mm height radiators come with 1 pre-drilled towel hanger location, with a maximum of 1 towel hanger - (only 375, 470 and 565mm widths).

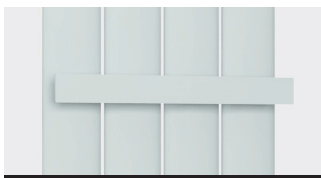
Standard towel hanger can be fitted.

Can be fitted after installation only on high adjustment bracket fitting.

The Malmesbury Standard Towel Hangers will add approx 22mm width on each side once fitted to the radiator.

MALMESBURY FLAT STYLE TOWEL HANGERS

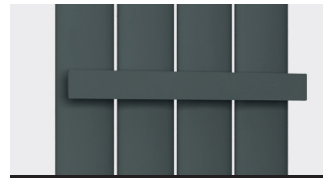
SINGLE FLAT STYLE



Towel Hanger - Matt White			
Size	Code	£ Ex VAT	£ Inc VAT
280mm	89.0306	79.00	94.80
375mm	89.0307	84.00	100.80
470mm	89.0308	87.00	104.40
565mm	89.0309	110.00	132.00



Towel Hanger - Matt Grey			
Size	Code	£ Ex VAT	£ Inc VAT
280mm	89.0314	79.00	94.80
375mm	89.0315	84.00	100.80
470mm	89.0316	87.00	104.40
565mm	89.0317	110.00	132.00



Towel Hanger - Matt Anthracite			
Size	Code	£ Ex VAT	£ Inc VAT
280mm	89.0310	79.00	94.80
375mm	89.0311	84.00	100.80
470mm	89.0312	87.00	104.40
565mm	89.0313	110.00	132.00



Towel Hanger - Matt Cappuccino			
Size	Code	£ Ex VAT	£ Inc VAT
280mm	89.0492	85.00	102.00
375mm	89.0493	93.00	111.60
470mm	89.0494	97.00	116.40
565mm	89.0495	121.00	145.20

TECHNICAL INFORMATION

Vertical and Horizontal Radiators:

Single Flat style hangers are compatible with both Vertical and Horizontal radiators. (Depending on the radiators and hangers width)

Must be fitted before installation!

Material: **Steel**

Hanger Fitting Widths
96/191/286/476mm



Aluminium Range

ADDINGTON ALUMINIUM TYPE 10 - GLOSS WHITE



Pictured 86.0372 Gloss White with 91.0113 Towel Hanger



Pictured 86.0360 Gloss White with 91.0082 Towel Hanger



Warranty

5

Year

Heating

All Electric

Dual-Fuel

Pictured 86.0358 Gloss White

Bar Dimensions (mm)
Vertical Bars 70 x 11mm

Aluminium Range

ADDINGTON ALUMINIUM TYPE 10 - GLOSS WHITE

A luxurious flat panelled radiator range with stunning clean lines which will be the focus of any room is now available also in aluminium. Available in horizontal or vertical sizes and different heights. Stunning towel hangers will complement the vertical design allowing room for your towels.

FEATURES

- Excellent heat conductivity and lightweight
- Only requires a low water volume
- Heats up very quickly
- Tested to BS EN 442 standards
- 5 Year Manufacturer's Warranty*
- Can be single or dual fuel, or all electric
- Radiators come with cover caps on top and bottom, the same colour as the radiator
- * With conditions

Technical Tables & Drawings

Page 786-787



500mm Height

Addington Aluminium Type 10 Radiators - Gloss White

Size H x W	Watts	BTU	Element Output	Element Type	Code	£ Ex VAT	£ Inc VAT
500 x 514mm	443	1512	150W	A	86.0348	286.00	343.20
500 x 588mm	507	1728	150W	A	86.0349	315.00	378.00

600mm Height

Addington Aluminium Type 10 Radiators - Gloss White

Size H x W	Watts	BTU	Element Output	Element Type	Code	£ Ex VAT	£ Inc VAT
600 x 292mm	315	1074	150W	A	86.0350	212.00	254.40
600 x 366mm	393	1342	150W	A	86.0351	245.00	294.00
600 x 440mm	472	1610	150W	A	86.0352	277.00	332.40
600 x 514mm	551	1879	300W	A	86.0353	310.00	372.00
600 x 588mm	629	2147	300W	A	86.0354	343.00	411.60
600 x 662mm	708	2416	300W	A	86.0355	376.00	451.20
600 x 810mm	865	2952	300W	A	86.0356	440.00	528.00
600 x 1032mm	1101	3758	600W	A	86.0357	541.00	649.20
600 x 1180mm	1259	4294	600W	A	86.0358	605.00	726.00
600 x 1254mm	1337	4563	600W	A	86.0359	634.00	760.80

800mm Height

Addington Aluminium Type 10 Radiators - Gloss White

Size H x W	Watts	BTU	Element Output	Element Type	Code	£ Ex VAT	£ Inc VAT
800 x 514mm	709	2420	300W	A	86.0360	357.00	428.40
800 x 588mm	811	2766	300W	A	86.0361	396.00	475.20

1000mm Height

Addington Aluminium Type 10 Radiators - Gloss White

Size H x W	Watts	BTU	Element Output	Element Type	Code	£ Ex VAT	£ Inc VAT
1000 x 514mm	862	2940	300W	A	86.0362	406.00	487.20
1000 x 588mm	985	3360	300W	A	86.0363	451.00	541.20

1200mm Height

Addington Aluminium Type 10 Radiators - Gloss White

Size H x W	Watts	BTU	Element Output	Element Type	Code	£ Ex VAT	£ Inc VAT
1200 x 514mm	1010	3446	300W	A	86.0364	454.00	544.80
1200 x 588mm	1154	3938	600W	A	86.0365	506.00	607.20

1400mm Height

Addington Aluminium Type 10 Radiators - Gloss White

Size H x W	Watts	BTU	Element Output	Element Type	Code	£ Ex VAT	£ Inc VAT
1400 x 514mm	1154	3937	600W	A	86.0366	501.00	601.20
1400 x 588mm	1319	4499	600W	A	86.0367	559.00	670.80

1800mm Height

Addington Aluminium Type 10 Radiators - Gloss White

Size H x W	Watts	BTU	Element Output	Element Type	Code	£ Ex VAT	£ Inc VAT
1800 x 292mm	816	2786	600W	A	86.0368	377.00	452.40
1800 x 366mm	1021	3482	600W	A	86.0369	449.00	538.80
1800 x 440mm	1225	4179	600W	A	86.0370	517.00	620.40
1800 x 514mm	1429	4875	900W	A	86.0371	587.00	704.40
1800 x 588mm	1633	5572	900W	A	86.0372	653.00	783.60

Towel Hangers Page 591



TECHNICAL INFORMATION

All measurements in Height by Width. Heat output based on $\Delta T_{60}^{\circ}\text{C}$. For matching valves see pages 731-737. Corrosion inhibitor must be added to the heating system and maintained. Flow diverter must only be fitted when radiator installed on central heating system. For indirect heating systems only. Tappings are the width of the rail and 45mm off the wall.

For element types
see pages 718-729.

For 500 and 600mm Heights :
Element can only be installed
horizontally on the bottom header.
Radiators that are electric only are
restricted to the heat output
of the elements.



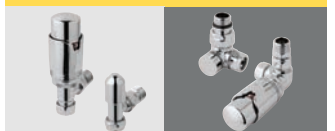
For element types
see pages 718-729.

For 800, 1000, 1200, 1400 and 1800mm
Heights: Element can be installed
vertically on the right-hand or left-hand side on
the bottom header. Radiators that are electric
only are restricted to the heat output of the
elements. For dual fuel installations,
element must be installed on flow side.



Single profile construction

Radiator Valves Page 731-737



ADDINGTON ALUMINIUM TYPE 10 COVER CAP SETS - CHROME



Addington Aluminium Type 10 Cover Cap Sets - Chrome

Description	Code	£ Ex VAT	£ Inc VAT
Cover Cap Set 292mm	86.0426	32.00	38.40
Cover Cap Set 366mm	86.0427	37.00	44.40
Cover Cap Set 440mm	86.0428	40.00	48.00
Cover Cap Set 514mm	86.0429	46.00	55.20
Cover Cap Set 588mm	86.0430	50.00	60.00
Cover Cap Set 662mm	86.0431	53.00	63.60
Cover Cap Set 810mm	86.0432	63.00	75.60
Cover Cap Set 1032mm	86.0433	77.00	92.40
Cover Cap Set 1180mm	86.0434	86.00	103.20
Cover Cap Set 1254mm	86.0435	91.00	109.20

Cover cap sets only include cover caps for the top of the radiator.

Aluminium Range

ADDINGTON ALUMINIUM TYPE 10 - MATT ANTHRACITE



Aluminium Range

ADDINGTON ALUMINIUM TYPE 10 - MATT ANTHRACITE

A luxurious flat panelled radiator range with stunning clean lines which will be the focus of any room is now available also in aluminium. Available in horizontal or vertical sizes and different heights. Stunning towel hangers will complement the vertical design allowing room for your towels.

FEATURES

- Excellent heat conductivity and lightweight
- Only requires a low water volume
- Heats up very quickly
- Tested to BS EN 442 standards
- 5 Year Manufacturer's Warranty*
- Can be single or dual fuel, or all electric
- Radiators come with cover caps on top and bottom, the same colour as the radiator
- * With conditions

Technical Tables & Drawings

Page 786-787



500mm Height

Addington Aluminium Type 10 Radiators - Matt Anthracite

Size H x W	Watts	BTU	Element Output	Element Type	Code	£ Ex VAT	£ Inc VAT
500 x 514mm	443	1512	150W	A	86.0373	286.00	343.20
500 x 588mm	507	1728	150W	A	86.0374	315.00	378.00

600mm Height

Addington Aluminium Type 10 Radiators - Matt Anthracite

Size H x W	Watts	BTU	Element Output	Element Type	Code	£ Ex VAT	£ Inc VAT
600 x 292mm	315	1074	150W	A	86.0375	212.00	254.40
600 x 366mm	393	1342	150W	A	86.0376	245.00	294.00
600 x 440mm	472	1610	150W	A	86.0377	277.00	332.40
600 x 514mm	551	1879	300W	A	86.0378	310.00	372.00
600 x 588mm	629	2147	300W	A	86.0379	343.00	411.60
600 x 662mm	708	2416	300W	A	86.0380	376.00	451.20
600 x 810mm	865	2952	300W	A	86.0381	440.00	528.00
600 x 1032mm	1101	3758	600W	A	86.0382	541.00	649.20
600 x 1180mm	1259	4294	600W	A	86.0383	605.00	726.00
600 x 1254mm	1337	4563	600W	A	86.0384	634.00	760.80

800mm Height

Addington Aluminium Type 10 Radiators - Matt Anthracite

Size H x W	Watts	BTU	Element Output	Element Type	Code	£ Ex VAT	£ Inc VAT
800 x 514mm	709	2420	300W	A	86.0385	357.00	428.40
800 x 588mm	811	2766	300W	A	86.0386	396.00	475.20

1000mm Height

Addington Aluminium Type 10 Radiators - Matt Anthracite

Size H x W	Watts	BTU	Element Output	Element Type	Code	£ Ex VAT	£ Inc VAT
1000 x 514mm	862	2940	300W	A	86.0387	406.00	487.20
1000 x 588mm	985	3360	300W	A	86.0388	451.00	541.20

1200mm Height

Addington Aluminium Type 10 Radiators - Matt Anthracite

Size H x W	Watts	BTU	Element Output	Element Type	Code	£ Ex VAT	£ Inc VAT
1200 x 514mm	1010	3446	300W	A	86.0389	454.00	544.80
1200 x 588mm	1154	3938	600W	A	86.0390	506.00	607.20

1400mm Height

Addington Aluminium Type 10 Radiators - Matt Anthracite

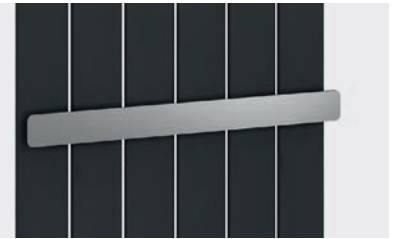
Size H x W	Watts	BTU	Element Output	Element Type	Code	£ Ex VAT	£ Inc VAT
1400 x 514mm	1154	3937	600W	A	86.0391	501.00	601.20
1400 x 588mm	1319	4499	600W	A	86.0392	559.00	670.80

1800mm Height

Addington Aluminium Type 10 Radiators - Matt Anthracite

Size H x W	Watts	BTU	Element Output	Element Type	Code	£ Ex VAT	£ Inc VAT
1800 x 292mm	816	2786	600W	A	86.0393	377.00	452.40
1800 x 366mm	1021	3482	600W	A	86.0394	449.00	538.80
1800 x 440mm	1225	4179	600W	A	86.0395	517.00	620.40
1800 x 514mm	1429	4875	900W	A	86.0396	587.00	704.40
1800 x 588mm	1633	5572	900W	A	86.0397	653.00	783.60

Towel Hangers Page 591



TECHNICAL INFORMATION

All measurements in Height by Width. Heat output based on $\Delta T60^{\circ}\text{C}$. For matching valves see pages 731-737. Corrosion inhibitor must be added to the heating system and maintained. Flow diverter must only be fitted when radiator installed on central heating system. For indirect heating systems only. Tappings are the width of the rail and 45mm off the wall.

For element types
see pages 718-729.

For 500 and 600mm Heights :
Element can only be installed
horizontally on the bottom header.
Radiators that are electric only are
restricted to the heat output
of the elements.



For element types
see pages 718-729.

For 800, 1000, 1200, 1400 and 1800mm
Heights: Element can be installed
vertically on the right-hand or left-hand side on
the bottom header. Radiators that are electric
only are restricted to the heat output of the
elements. For dual fuel installations,
element must be installed on flow side.



Single profile construction

Radiator Valves Page 731-737



ADDINGTON ALUMINIUM TYPE 10 COVER CAP SETS - CHROME



Addington Aluminium Type 10 Cover Cap Sets - Chrome

Description	Code	£ Ex VAT	£ Inc VAT
Cover Cap Set 292mm	86.0426	32.00	38.40
Cover Cap Set 366mm	86.0427	37.00	44.40
Cover Cap Set 440mm	86.0428	40.00	48.00
Cover Cap Set 514mm	86.0429	46.00	55.20
Cover Cap Set 588mm	86.0430	50.00	60.00
Cover Cap Set 662mm	86.0431	53.00	63.60
Cover Cap Set 810mm	86.0432	63.00	75.60
Cover Cap Set 1032mm	86.0433	77.00	92.40
Cover Cap Set 1180mm	86.0434	86.00	103.20
Cover Cap Set 1254mm	86.0435	91.00	109.20

Cover cap sets only include cover caps for the top of the radiator.

Aluminium Range

ADDINGTON ALUMINIUM TYPE 20 - GLOSS WHITE



Pictured 86.0409 Gloss White



Pictured 86.0402 Gloss White



Pictured 86.0406 Gloss White

Bar Dimensions (mm)

Vertical Bars 70 x 11mm

Aluminium Range

ADDINGTON ALUMINIUM TYPE 20 - GLOSS WHITE

A luxurious double flat panelled radiator range with stunning clean lines which will be the focus of any room is now available also in aluminium. Available in horizontal or vertical sizes and different heights.

FEATURES

- Excellent heat conductivity and lightweight
- Only requires a low water volume
- Heats up very quickly
- Tested to BS EN 442 standards
- 5 Year Manufacturer's Warranty*
- Can be single or dual fuel, or all electric
- Radiators come with cover caps on top and bottom, the same colour as the radiator
- * With conditions

Technical Tables & Drawings

Page 786-787



600mm Height

Addington Aluminium Type 20 Radiators - Gloss White

Size H x W	Watts	BTU	Element Output	Element Type	Code	£ Ex VAT	£ Inc VAT
600 x 292mm	442	1509	150W	A	86.0398	269.00	322.80
600 x 366mm	553	1887	300W	A	86.0399	313.00	375.60
600 x 440mm	664	2264	300W	A	86.0400	356.00	427.20
600 x 514mm	774	2641	300W	A	86.0401	403.00	483.60
600 x 588mm	885	3019	300W	A	86.0402	449.00	538.80
600 x 662mm	995	3396	300W	A	86.0403	501.00	601.20
600 x 810mm	1216	4151	600W	A	86.0404	592.00	710.40
600 x 1032mm	1548	5283	600W	A	86.0405	730.00	876.00
600 x 1180mm	1769	6038	900W	A	86.0406	822.00	986.40
600 x 1254mm	1880	6415	900W	A	86.0407	871.00	1045.20

1800mm Height

Addington Aluminium Type 20 Radiators - Gloss White

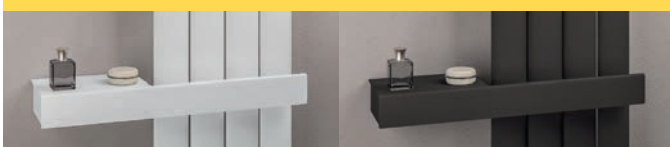
Size H x W	Watts	BTU	Element Output	Element Type	Code	£ Ex VAT	£ Inc VAT
1800 x 366mm	1435	4896	600W	A	86.0408	647.00	776.40
1800 x 440mm	1722	5875	900W	A	86.0409	769.00	922.80
1800 x 514mm	2009	6854	900W	A	86.0410	901.00	1081.20
1800 x 588mm	2296	7834	900W	A	86.0411	1022.00	1226.40



Double profile construction

Multi-Purpose Towel Hangers

Page 740



TECHNICAL INFORMATION

All measurements in Height by Width. Heat output based on $\Delta T60^{\circ}C$. For matching valves see pages 731-737. Corrosion inhibitor must be added to the heating system and maintained. Flow diverter must only be fitted when radiator installed on central heating system. For indirect heating systems only. Tappings are the width of the rail and 65mm off the wall.

For element types
see pages 718-729.

For 600mm Heights :
Element can only be installed
horizontally on the bottom header.
Radiators that are electric only are
restricted to the heat output
of the elements.



For element types
see pages 718-729.

For 1800mm Heights: Element can be
installed vertically on the right-hand or left-
hand side on the bottom header. Radiators
that are electric only are restricted to the
heat output of the elements. For dual fuel
installations, element must be installed on
flow side.



Radiator Valves

Page 731-737



ADDINGTON ALUMINIUM TYPE 20 COVER CAP SETS - CHROME



Addington Aluminium Type 20 Cover Cap Sets - Chrome

Description	Code	£ Ex VAT	£ Inc VAT
Cover Cap Set 292mm	86.0436	50.00	60.00
Cover Cap Set 366mm	86.0437	59.00	70.80
Cover Cap Set 440mm	86.0438	70.00	84.00
Cover Cap Set 514mm	86.0439	77.00	92.40
Cover Cap Set 588mm	86.0440	86.00	103.20
Cover Cap Set 662mm	86.0441	96.00	115.20
Cover Cap Set 810mm	86.0442	115.00	138.00
Cover Cap Set 1032mm	86.0443	141.00	169.20
Cover Cap Set 1180mm	86.0444	159.00	190.80
Cover Cap Set 1254mm	86.0445	148.00	177.60

Cover cap sets only include cover caps for the top of the radiator.

Aluminium Range

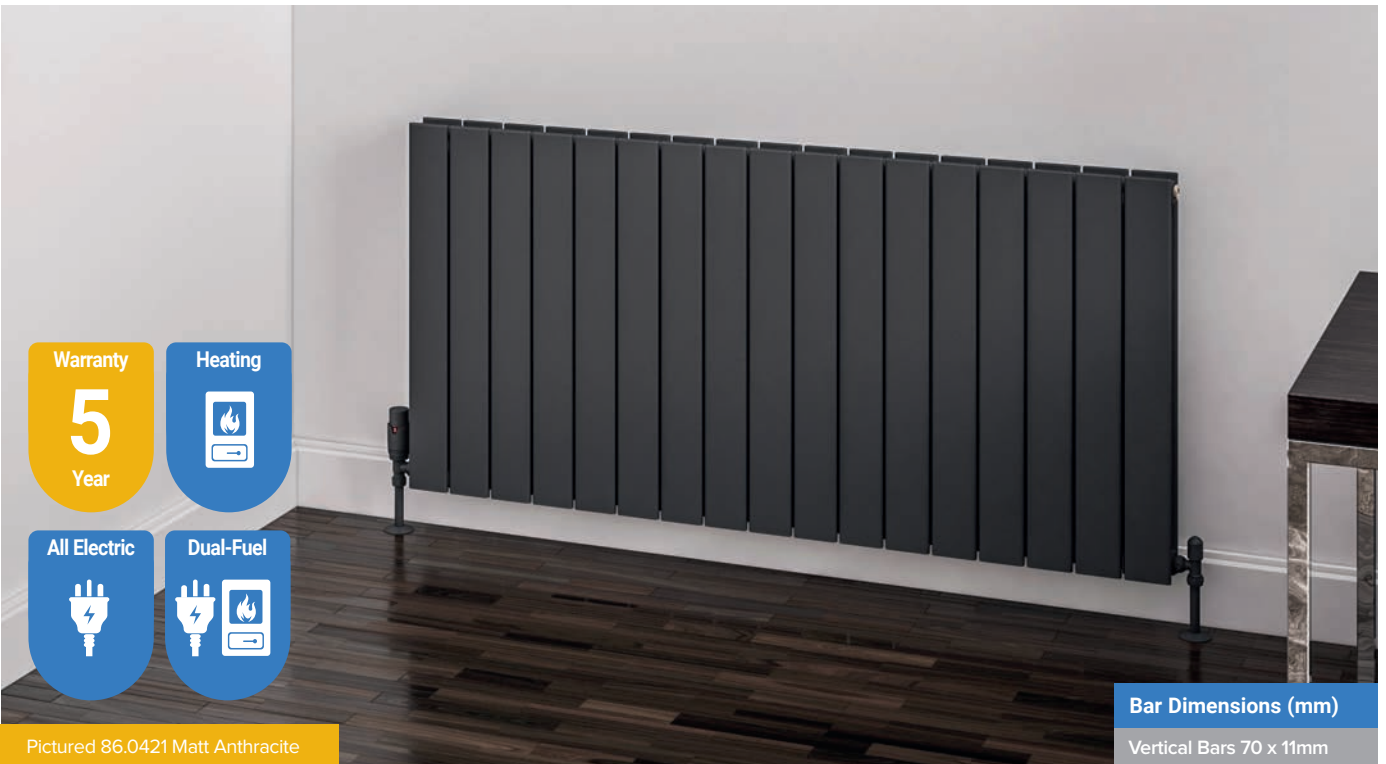
ADDINGTON ALUMINIUM TYPE 20 - MATT ANTHRACITE



Pictured 86.0425 Matt Anthracite



Pictured 86.0417 Matt Anthracite



Warranty
5
Year

Heating


All Electric


Dual-Fuel


Pictured 86.0421 Matt Anthracite

Bar Dimensions (mm)
Vertical Bars 70 x 11mm

Aluminium Range

ADDINGTON ALUMINIUM TYPE 20 - MATT ANTHRACITE

A luxurious double flat panelled radiator range with stunning clean lines which will be the focus of any room is now available also in aluminium. Available in horizontal or vertical sizes and different heights.

FEATURES

- Excellent heat conductivity and lightweight
- Only requires a low water volume
- Heats up very quickly
- Tested to BS EN 442 standards
- 5 Year Manufacturer's Warranty*
- Can be single or dual fuel, or all electric
- Radiators come with cover caps on top and bottom, the same colour as the radiator
- * With conditions

Technical Tables & Drawings

Page 786-787



600mm Height

Addington Aluminium Type 20 Radiators - Matt Anthracite

Size H x W	Watts	BTU	Element Output	Element Type	Code	£ Ex VAT	£ Inc VAT
600 x 292mm	442	1509	150W	A	86.0412	269.00	322.80
600 x 366mm	553	1887	300W	A	86.0413	313.00	375.60
600 x 440mm	664	2264	300W	A	86.0414	356.00	427.20
600 x 514mm	774	2641	300W	A	86.0415	403.00	483.60
600 x 588mm	885	3019	300W	A	86.0416	449.00	538.80
600 x 662mm	995	3396	300W	A	86.0417	501.00	601.20
600 x 810mm	1216	4151	600W	A	86.0418	592.00	710.40
600 x 1032mm	1548	5283	600W	A	86.0419	730.00	876.00
600 x 1180mm	1769	6038	900W	A	86.0420	822.00	986.40
600 x 1254mm	1880	6415	900W	A	86.0421	871.00	1045.20

1800mm Height

Addington Aluminium Type 20 Radiators - Matt Anthracite

Size H x W	Watts	BTU	Element Output	Element Type	Code	£ Ex VAT	£ Inc VAT
1800 x 366mm	1435	4896	600W	A	86.0422	647.00	776.40
1800 x 440mm	1722	5875	900W	A	86.0423	769.00	922.80
1800 x 514mm	2009	6854	900W	A	86.0424	901.00	1081.20
1800 x 588mm	2296	7834	900W	A	86.0425	1022.00	1226.40



Double profile construction

Multi-Purpose Towel Hangers

Page 740

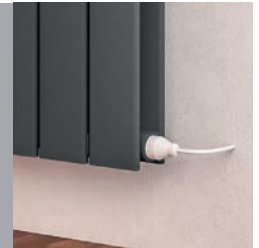


TECHNICAL INFORMATION

All measurements in Height by Width. Heat output based on $\Delta T60^{\circ}\text{C}$. For matching valves see pages 731-737. Corrosion inhibitor must be added to the heating system and maintained. Flow diverter must only be fitted when radiator installed on central heating system. For indirect heating systems only. Tappings are the width of the rail and 65mm off the wall.

For element types
see pages 718-729.

For 600mm Heights :
Element can only be installed
horizontally on the bottom header.
Radiators that are electric only are
restricted to the heat output
of the elements.



For element types
see pages 718-729.

For 1800mm Heights: Element can be
installed vertically on the right-hand or left-
hand side on the bottom header. Radiators
that are electric only are restricted to the
heat output of the elements. For dual fuel
installations, element must be installed on
flow side.



Radiator Valves

Page 731-737



ADDINGTON ALUMINIUM TYPE 20 COVER CAP SETS - CHROME



Addington Aluminium Type 20 Cover Cap Sets - Chrome

Description	Code	£ Ex VAT	£ Inc VAT
Cover Cap Set 292mm	86.0436	50.00	60.00
Cover Cap Set 366mm	86.0437	59.00	70.80
Cover Cap Set 440mm	86.0438	70.00	84.00
Cover Cap Set 514mm	86.0439	77.00	92.40
Cover Cap Set 588mm	86.0440	86.00	103.20
Cover Cap Set 662mm	86.0441	96.00	115.20
Cover Cap Set 810mm	86.0442	115.00	138.00
Cover Cap Set 1032mm	86.0443	141.00	169.20
Cover Cap Set 1180mm	86.0444	159.00	190.80
Cover Cap Set 1254mm	86.0445	148.00	177.60

Cover cap sets only include cover caps for the top of the radiator.

Aluminium Range

ROSANO VERTICAL






Pictured 86.0008 Matt Anthracite with 101.0085 Towel Hanger x1 & 86.0112 Cover Caps x2 (Side connection valves shown)



Side or Bottom connection options

Pictured 86.0004 Matt White with 101.0049 Towel Hanger x1 & 86.0112 Cover Caps x2 (Side connection valves shown)

A luxurious flat panelled radiator range with stunning clean lines which will be the focus of any room. Available in a choice of colours and in horizontal or vertical designs. Stunning towel hangers will complement the vertical design allowing room for your towels.

<p>Warranty</p> <p>5</p> <p>Year</p>	<p>Heating</p> 	<p>All Electric</p> 	<p>Dual-Fuel</p> 
---	--	---	--

Technical Tables & Drawings
Page 788-789



TECHNICAL INFORMATION

All measurements in Height by Width. Heat output based on $\Delta T60^{\circ}\text{C}$. For matching valves see pages 731-737. Corrosion inhibitor must be added to the heating system and maintained. Flow diverter must only be fitted when radiator installed on central heating system. For indirect heating systems only. **Side connection:** Tappings are the width of the rail and 35 or 55mm off the wall. **Bottom connection:** Tappings are 90mm less than the width of the rail and 35 or 55mm

Aluminium Range



Rosano Vertical Aluminium Radiators - Matt White							
Size H x W	Watts	BTU	Element Output	Element Type	Code	£ Ex VAT	£ Inc VAT
600 x 280mm	316	1078	150W	A, A+	86.0147	212.00	254.40
1800 x 280mm	948	3235	450W	A, A+	86.0001	343.00	411.60
1800 x 375mm	1264	4313	750W	A, A+	86.0004	438.00	525.60
1800 x 470mm	1580	5391	900W	A, A+	86.0007	535.00	642.00
1800 x 565mm	1896	6469	1000W	A, A+	86.0284	649.00	778.80

Rosano Vertical Aluminium Radiators - Matt Anthracite							
Size H x W	Watts	BTU	Element Output	Element Type	Code	£ Ex VAT	£ Inc VAT
600 x 280mm	316	1078	150W	A, A+	86.0148	212.00	254.40
1800 x 280mm	948	3235	450W	A, A+	86.0002	343.00	411.60
1800 x 375mm	1264	4313	750W	A, A+	86.0005	438.00	525.60
1800 x 470mm	1580	5391	900W	A, A+	86.0008	535.00	642.00
1800 x 565mm	1896	6469	1000W	A, A+	86.0285	649.00	778.80

Rosano Vertical Aluminium Radiators - Matt Black							
Size H x W	Watts	BTU	Element Output	Element Type	Code	£ Ex VAT	£ Inc VAT
600 x 280mm	316	1078	150W	A, A+	86.0149	212.00	254.40
1800 x 280mm	948	3235	450W	A, A+	86.0003	343.00	411.60
1800 x 375mm	1264	4313	750W	A, A+	86.0006	438.00	525.60
1800 x 470mm	1580	5391	900W	A, A+	86.0009	535.00	642.00
1800 x 565mm	1896	6469	1000W	A, A+	86.0286	649.00	778.80

Prices include radiator and wall fixing sets, valves and accessories extra.

FEATURES

- Excellent heat conductivity and lightweight
 - Only requires a low water volume
 - Heats up very quickly
 - Side or bottom connection options (only on vertical sizes)
 - Tested to BS EN 442 standards
 - 5 Year Manufacturer's Warranty*
 - Can be single or dual fuel, or all electric
 - Radiators come with cover caps on top and bottom, the same colour as the radiator
- * With conditions

For element types see pages 718-729.

Element can be installed vertically on the right-hand side or left-hand side on the bottom header. Radiators that are electric only are restricted to the heat output of the elements. For dual fuel installations, element must be installed on flow side.



ROSANO VERTICAL

Pictured 86.0005 Matt Anthracite with 86.0026 Towel Hangers (bottom connection valves shown)



For all Rosano Matt White, Matt Anthracite, Matt Black, Chrome and Premium Towel Hangers, please refer to page 640-641.



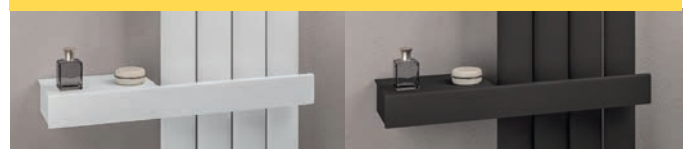
Rosano Cover Cap Sets - Chrome

Description	Code	£ Ex VAT	£ Inc VAT
Cover Cap Set 280mm	86.0111	26.00	31.20
Cover Cap Set 375mm	86.0112	32.00	38.40
Cover Cap Set 470mm	86.0113	36.00	43.20
Cover Cap Set 565mm	86.0309	43.00	51.60

Cover cap sets only include cover caps for the top of the radiator.

Multi-Purpose Towel Hangers

Page 740



Aluminium Range

ROSANO HORIZONTAL

Pictured 86.0020 Matt Anthracite

Pictured 86.0021 Matt Black



- Warranty**
5
 Year
- Heating**
- All Electric**
- Dual-Fuel**

Technical Tables & Drawings
 Page 788-789

A luxurious flat panelled radiator range with stunning clean lines which will be the focus of any room. Available in a choice of colours and in horizontal or vertical designs.

TECHNICAL INFORMATION

All measurements in Height by Width. Heat output based on $\Delta T60^{\circ}\text{C}$. For matching valves see pages 731-737. Corrosion inhibitor must be added to the heating system and maintained. Flow diverter must only be fitted when radiator installed on central heating system. For indirect heating systems only. Tappings are the width of the rail and 35 or 55mm off the wall.

Radiator Valves

Page 731-737



Aluminium Range

ROSANO HORIZONTAL

Pictured 86.0016 Matt White with 89.0372 Towel Hanger



Rosano Horizontal Aluminium Radiators - Matt White

Size H x W	Watts	BTU	Element Output	Element Type	Code	£ Ex VAT	£ Inc VAT
600 x 470mm	555	1894	300W	A, A+, C, H	86.0010	274.00	328.80
600 x 660mm	777	2651	450W	A, A+, C, H	86.0013	363.00	435.60
600 x 850mm	999	3409	600W	A, A+, C, H	86.0016	449.00	538.80
600 x 1040mm	1221	4166	750W	A, A+, C, H	86.0019	539.00	646.80
600 x 1230mm	1443	4924	900W	A, A+, C, H	86.0022	625.00	750.00

Rosano Horizontal Aluminium Radiators - Matt Anthracite

Size H x W	Watts	BTU	Element Output	Element Type	Code	£ Ex VAT	£ Inc VAT
600 x 470mm	555	1894	300W	A, A+, C, H	86.0011	274.00	328.80
600 x 660mm	777	2651	450W	A, A+, C, H	86.0014	363.00	435.60
600 x 850mm	999	3409	600W	A, A+, C, H	86.0017	449.00	538.80
600 x 1040mm	1221	4166	750W	A, A+, C, H	86.0020	539.00	646.80
600 x 1230mm	1443	4924	900W	A, A+, C, H	86.0023	625.00	750.00

Rosano Horizontal Aluminium Radiators - Matt Black

Size H x W	Watts	BTU	Element Output	Element Type	Code	£ Ex VAT	£ Inc VAT
600 x 470mm	555	1894	300W	A, A+, C, H	86.0012	274.00	328.80
600 x 660mm	777	2651	450W	A, A+, C, H	86.0015	363.00	435.60
600 x 850mm	999	3409	600W	A, A+, C, H	86.0018	449.00	538.80
600 x 1040mm	1221	4166	750W	A, A+, C, H	86.0021	539.00	646.80
600 x 1230mm	1443	4924	900W	A, A+, C, H	86.0024	625.00	750.00

Prices include radiator and wall fixing sets, valves and accessories extra.

FEATURES

- Excellent heat conductivity and lightweight
- Only requires a low water volume
- Heats up very quickly
- Tested to BS EN 442 standards
- 5 Year Manufacturer's Warranty*
- Can be single or dual fuel, or all electric
- Radiators come with cover caps on top and bottom, the same colour as the radiator

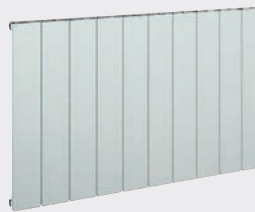
* With conditions

For element types see pages 718-729.

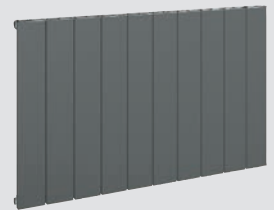
Element can only be installed horizontally on the bottom header. Radiators that are electric only are restricted to the heat output of the elements (Type C up to 900 watts).



Matt White



Matt Anthracite



Matt Black



For all Rosano Matt White, Matt Anthracite, Matt Black, Chrome and Premium Towel Hangers, please refer to page 640-641.



Rosano Cover Cap Sets - Chrome

Description	Code	£ Ex VAT	£ Inc VAT
Cover Cap Set 470mm	86.0113	36.00	43.20
Cover Cap Set 660mm	86.0114	47.00	56.40
Cover Cap Set 850mm	86.0115	57.00	68.40
Cover Cap Set 1040mm	86.0116	66.00	79.20
Cover Cap Set 1230mm	86.0117	79.00	94.80

Cover cap sets only include cover caps for the top of the radiator.

Aluminium Range

ROSANO STANDARD TOWEL HANGERS



Towel Hanger - Matt White				
Size	Code	£ Ex VAT	£ Inc VAT	
280mm	89.0177	59.00	70.80	
375mm	89.0178	62.00	74.40	
470mm	89.0179	70.00	84.00	
565mm	86.0333	74.00	88.80	



Towel Hanger - Matt Anthracite				
Size	Code	£ Ex VAT	£ Inc VAT	
280mm	89.0180	59.00	70.80	
375mm	89.0181	62.00	74.40	
470mm	89.0182	70.00	84.00	
565mm	86.0334	74.00	88.80	



Towel Hanger - Matt Black				
Size	Code	£ Ex VAT	£ Inc VAT	
280mm	89.0183	59.00	70.80	
375mm	89.0184	62.00	74.40	
470mm	89.0185	70.00	84.00	
565mm	86.0335	74.00	88.80	



Towel Hanger - Chrome				
Size	Code	£ Ex VAT	£ Inc VAT	
280mm	86.0025	50.00	60.00	
375mm	86.0026	59.00	70.80	
470mm	86.0027	65.00	78.00	
565mm	86.0336	68.00	81.60	

TECHNICAL INFORMATION

Material: **Steel (Premium: Stainless Steel - Grade 304)**

Vertical Radiators:

1800mm height radiators comes with 3 pre-drilled towel hanger locations, with a maximum of 3 towel hangers - all widths; 280, 375, 470 and 565mm. 600mm height radiators comes with 1 pre-drilled towel hanger location, with a maximum of 1 towel hanger - 280mm width. The standard towel hangers are only compatible with the Vertical Radiators.

Horizontal Radiators:

Don't have holes for Standard Towel Hangers (except 470mm width). Standard Towel Hanger can not be fitted. The Rosano Standard Towel Hangers will add approx 8mm width on each side once fitted to the radiator.

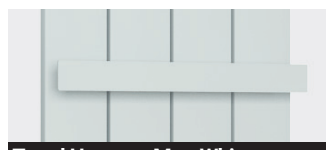
Can be fitted after installation only on high adjustment bracket fitting.



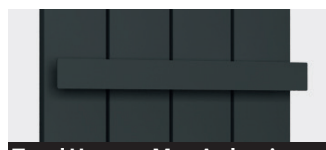
Towel Hanger - Mirror Polished Premium				
Size	Code	£ Ex VAT	£ Inc VAT	
280mm	86.0198	69.00	82.80	
375mm	86.0199	76.00	91.20	
470mm	86.0200	82.00	98.40	
565mm	86.0337	88.00	105.60	

ROSANO FLAT STYLE TOWEL HANGERS

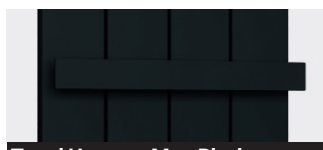
SINGLE FLAT STYLE



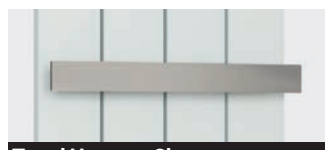
Towel Hanger - Matt White				
Size	Code	£ Ex VAT	£ Inc VAT	
280mm	89.0283	68.00	81.60	
375mm	89.0284	75.00	90.00	
470mm	89.0285	84.00	100.80	
565mm	91.0163	90.00	108.00	
660mm	89.0286	95.00	114.00	
850mm	89.0287	106.00	127.20	



Towel Hanger - Matt Anthracite				
Size	Code	£ Ex VAT	£ Inc VAT	
280mm	89.0288	68.00	81.60	
375mm	89.0289	75.00	90.00	
470mm	89.0290	84.00	100.80	
565mm	91.0164	90.00	108.00	
660mm	89.0291	95.00	114.00	
850mm	89.0292	106.00	127.20	



Towel Hanger - Matt Black				
Size	Code	£ Ex VAT	£ Inc VAT	
280mm	89.0293	68.00	81.60	
375mm	89.0294	75.00	90.00	
470mm	89.0295	84.00	100.80	
565mm	91.0165	90.00	108.00	
660mm	89.0296	95.00	114.00	
850mm	89.0297	106.00	127.20	



Towel Hanger - Chrome				
Size	Code	£ Ex VAT	£ Inc VAT	
280mm	91.0094	93.00	111.60	
375mm	91.0095	95.00	114.00	
470mm	91.0096	97.00	116.40	
565mm	91.0166	98.00	117.60	
660mm	91.0097	102.00	122.40	
850mm	91.0098	109.00	130.80	

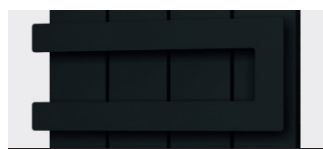
DOUBLE FLAT STYLE



Towel Hanger - Matt White				
Size	Code	£ Ex VAT	£ Inc VAT	
280mm	89.0369	83.00	99.60	
375mm	89.0370	87.00	104.40	
470mm	89.0371	98.00	117.60	
565mm	91.0167	108.00	129.60	
660mm	89.0372	115.00	138.00	
850mm	89.0373	128.00	153.60	



Towel Hanger - Matt Anthracite				
Size	Code	£ Ex VAT	£ Inc VAT	
280mm	89.0374	83.00	99.60	
375mm	89.0375	87.00	104.40	
470mm	89.0376	98.00	117.60	
565mm	91.0168	108.00	129.60	
660mm	89.0377	115.00	138.00	
850mm	89.0378	128.00	153.60	



Towel Hanger - Matt Black				
Size	Code	£ Ex VAT	£ Inc VAT	
280mm	89.0379	83.00	99.60	
375mm	89.0380	87.00	104.40	
470mm	89.0381	98.00	117.60	
565mm	91.0169	108.00	129.60	
660mm	89.0382	115.00	138.00	
850mm	89.0383	128.00	153.60	



Towel Hanger - Chrome				
Size	Code	£ Ex VAT	£ Inc VAT	
280mm	91.0114	118.00	141.60	
375mm	91.0115	123.00	147.60	
470mm	91.0116	125.00	150.00	
565mm	91.0170	131.00	157.20	
660mm	91.0117	135.00	162.00	
850mm	91.0118	146.00	175.20	

TECHNICAL INFORMATION

Material: **Steel**

Vertical and Horizontal Radiators:

Flat & Double Flat Style Hangers are compatible with both Vertical and Horizontal radiators. (Depending on the radiators and hangers width)

Must be fitted before installation!



Aluminium Range

ROSANO FLAT TRIPLE TOWEL HANGER

Brushed Stainless Steel



Polished Stainless Steel



Flat Triple Hanger - Brushed Stainless Steel

Size	Code	£ Ex VAT	£ Inc VAT
280mm	101.0048	228.00	273.60
375mm	101.0049	248.00	297.60
470mm	101.0050	284.00	340.80
565mm	101.0064	319.00	382.80

Flat Triple Hanger - Polished Stainless Steel

Size	Code	£ Ex VAT	£ Inc VAT
280mm	101.0054	228.00	273.60
375mm	101.0055	248.00	297.60
470mm	101.0056	284.00	340.80
565mm	101.0065	319.00	382.80

ROSANO CURVED TRIPLE TOWEL HANGER

Brushed Stainless Steel



Polished Stainless Steel



Curved Triple Hanger - Brushed Stainless Steel

Size	Code	£ Ex VAT	£ Inc VAT
280mm	101.0051	228.00	273.60
375mm	101.0052	248.00	297.60
470mm	101.0053	284.00	340.80
565mm	101.0066	319.00	382.80

Curved Triple Hanger - Polished Stainless Steel

Size	Code	£ Ex VAT	£ Inc VAT
280mm	101.0057	228.00	273.60
375mm	101.0058	248.00	297.60
470mm	101.0059	284.00	340.80
565mm	101.0067	319.00	382.80

Material: **Stainless Steel - Grade 304**

TECHNICAL INFORMATION

Vertical Radiators:

1800mm height radiators comes with 3 pre-drilled towel hanger locations. 600mm height radiators come with 1 pre-drilled towel hanger location. The flat triple & curved triple towel hangers are only compatible with the Vertical Radiators and can be fitted to the pre-drilled holes on 1800mm & 600mm height radiators. **Can be fitted after installation only on high adjustment bracket fitting.**

Horizontal Radiators:

The flat triple & curved triple towel hangers are not suitable for horizontal radiators.

ROSANO DESIGNER TOWEL HANGERS

Square Style



Square Towel Hanger - Matt White

Size	Code	£ Ex VAT	£ Inc VAT
375mm	101.0075	68.00	81.60
470mm	101.0076	75.00	90.00
565mm	101.0077	87.00	104.40

Square Towel Hanger - Matt Anthracite

Size	Code	£ Ex VAT	£ Inc VAT
375mm	101.0078	68.00	81.60
470mm	101.0079	75.00	90.00
565mm	101.0080	87.00	104.40

Square Towel Hanger - Matt Black

Size	Code	£ Ex VAT	£ Inc VAT
375mm	101.0081	68.00	81.60
470mm	101.0082	75.00	90.00
565mm	101.0083	87.00	104.40

Square Towel Hanger - Chrome

Size	Code	£ Ex VAT	£ Inc VAT
375mm	101.0084	79.00	94.80
470mm	101.0085	91.00	109.20
565mm	101.0086	106.00	127.20

Triangle Style



Triangle Towel Hanger - Matt White

Size	Code	£ Ex VAT	£ Inc VAT
375mm	101.0087	70.00	84.00
470mm	101.0088	79.00	94.80
565mm	101.0089	92.00	110.40

Triangle Towel Hanger - Matt Anthracite

Size	Code	£ Ex VAT	£ Inc VAT
375mm	101.0090	70.00	84.00
470mm	101.0091	79.00	94.80
565mm	101.0092	92.00	110.40

Triangle Towel Hanger - Matt Black

Size	Code	£ Ex VAT	£ Inc VAT
375mm	101.0093	70.00	84.00
470mm	101.0094	79.00	94.80
565mm	101.0095	92.00	110.40

Triangle Towel Hanger - Chrome

Size	Code	£ Ex VAT	£ Inc VAT
375mm	101.0096	80.00	96.00
470mm	101.0097	92.00	110.40
565mm	101.0098	109.00	130.80

Circle Style



Circle Towel Hanger - Matt White

Size	Code	£ Ex VAT	£ Inc VAT
375mm	101.0099	74.00	88.80
470mm	101.0100	81.00	97.20
565mm	101.0101	95.00	114.00

Circle Towel Hanger - Matt Anthracite

Size	Code	£ Ex VAT	£ Inc VAT
375mm	101.0102	74.00	88.80
470mm	101.0103	81.00	97.20
565mm	101.0104	95.00	114.00

Circle Towel Hanger - Matt Black

Size	Code	£ Ex VAT	£ Inc VAT
375mm	101.0105	74.00	88.80
470mm	101.0106	81.00	97.20
565mm	101.0107	95.00	114.00

Circle Towel Hanger - Chrome

Size	Code	£ Ex VAT	£ Inc VAT
375mm	101.0108	80.00	96.00
470mm	101.0109	93.00	111.60
565mm	101.0110	110.00	132.00

Material: **Steel**

TECHNICAL INFORMATION

Square, Triangle and Circle Towel Hangers are only compatible with vertical radiators and can be fitted to one of the three pre-drilled holes on the 1800mm height radiators. Square, Triangle and Circle Towel Hangers will add approx 8mm width on each side once fitted to the radiator. **Can be fitted after installation only on high adjustment bracket fitting.**

Aluminium Range

PERETTI VERTICAL

Side or Bottom connection options



Pictured 86.0178 Polished Aluminium with 86.0078 Towel Hangers (side connection valves shown)



Pictured 86.0060 Matt Black with 101.0109 Towel Hanger x1 (bottom connection valves shown)

A refined version of the designer flat panelled radiators with a curve to the end two panels. This radiator will add a touch of sophistication creating an impact in any room. Available in both vertical and horizontal designs as well as four different colours for maximum choice. Stunning towel hangers will complement the vertical design allowing room for your towels.

FEATURES

- Excellent heat conductivity and lightweight
 - Only requires a low water volume
 - Heats up very quickly
 - Side or bottom connection options (only on vertical sizes)
 - Tested to BS EN 442 standards
 - 5 Year Manufacturer's Warranty*
 - Can be single or dual fuel, or all electric
 - Radiators come with cover caps on top and bottom, the same colour as the radiator
- * With conditions

Technical Tables
& Drawings
Page 788-789



<p>Warranty</p> <p>5</p> <p>Year</p>	<p>Heating</p>	<p>All Electric</p>	<p>Dual-Fuel</p>
---	----------------	---------------------	------------------

TECHNICAL INFORMATION

All measurements in Height by Width. Heat output based on $\Delta T60^{\circ}\text{C}$. For matching valves see pages 731-737. Corrosion inhibitor must be added to the heating system and maintained. Flow diverter must only be fitted when radiator installed on central heating system. For indirect heating systems only. **Side connection:** Tappings are the width of the rail and 35 or 55mm off the wall. **Bottom connection:** Tappings are 90mm less than the width of the rail and 35 or 55mm off the wall.

For all Peretti Matt White, Matt Anthracite, Matt Black, Chrome and Premium Towel Hangers, please refer to page 646-647.



Aluminium Range

PERETTI VERTICAL



Peretti Vertical Aluminium Radiators - Matt White

Size H x W	Watts	BTU	Element Output	Element Type	Code	£ Ex VAT	£ Inc VAT
600 x 280mm	316	1078	150W	A, A+	86.0150	212.00	254.40
1800 x 280mm	948	3235	450W	A, A+	86.0053	343.00	411.60
1800 x 375mm	1264	4313	750W	A, A+	86.0056	438.00	525.60
1800 x 470mm	1580	5391	900W	A, A+	86.0059	535.00	642.00
1800 x 565mm	1896	6469	1000W	A, A+	86.0287	649.00	778.80

Peretti Vertical Aluminium Radiators - Matt Anthracite

Size H x W	Watts	BTU	Element Output	Element Type	Code	£ Ex VAT	£ Inc VAT
600 x 280mm	316	1078	150W	A, A+	86.0151	212.00	254.40
1800 x 280mm	948	3235	450W	A, A+	86.0054	343.00	411.60
1800 x 375mm	1264	4313	750W	A, A+	86.0057	438.00	525.60
1800 x 470mm	1580	5391	900W	A, A+	86.0060	535.00	642.00
1800 x 565mm	1896	6469	1000W	A, A+	86.0288	649.00	778.80

Peretti Vertical Aluminium Radiators - Matt Black

Size H x W	Watts	BTU	Element Output	Element Type	Code	£ Ex VAT	£ Inc VAT
600 x 280mm	316	1078	150W	A, A+	86.0152	212.00	254.40
1800 x 280mm	948	3235	450W	A, A+	86.0055	343.00	411.60
1800 x 375mm	1264	4313	750W	A, A+	86.0058	438.00	525.60
1800 x 470mm	1580	5391	900W	A, A+	86.0061	535.00	642.00
1800 x 565mm	1896	6469	1000W	A, A+	86.0289	649.00	778.80

Peretti Vertical Aluminium Radiators - Polished Aluminium

Size H x W	Watts	BTU	Element Output	Element Type	Code	£ Ex VAT	£ Inc VAT
600 x 280mm	307	1046	150W	A, A+	86.0176	231.00	277.20
1800 x 280mm	920	3138	450W	A, A+	86.0177	403.00	483.60
1800 x 375mm	1226	4184	750W	A, A+	86.0178	517.00	620.40
1800 x 470mm	1533	5229	900W	A, A+	86.0179	631.00	757.20
1800 x 565mm	1839	6275	1000W	A, A+	86.0290	730.00	876.00

Prices include radiator and wall fixing sets, valves and accessories extra.

For element types see pages 718-729.

Element can be installed vertically on the right-hand side or left-hand side on the bottom header. Radiators that are electric only are restricted to the heat output of the elements. For dual fuel installations, element must be installed on flow side.



Pictured 86.0056 Matt White (side connection valves shown)



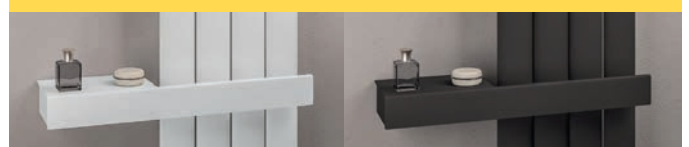
Peretti Cover Cap Sets - Chrome

Description	Code	£ Ex VAT	£ Inc VAT
Cover Cap Set 280mm	86.0125	26.00	31.20
Cover Cap Set 375mm	86.0126	32.00	38.40
Cover Cap Set 470mm	86.0113	36.00	43.20
Cover Cap Set 565mm	86.0310	43.00	51.60

Cover cap sets only include cover caps for the top of the radiator.

Multi-Purpose Towel Hangers

Page 740



Aluminium Range

PERETTI HORIZONTAL

Pictured 86.0183 Polished Aluminium with 91.0117 Towel Hanger



Warranty

5

Year

Heating



All Electric



Dual-Fuel



A refined version of the designer flat panelled radiators with a curve to the end two panels. This radiator will add a touch of sophistication creating an impact in any room. Available in both vertical and horizontal designs as well as four different colours for maximum choice. Stunning towel hangers will complement the vertical design allowing room for your towels.

FEATURES

- Excellent heat conductivity and lightweight
- Only requires a low water volume
- Heats up very quickly
- Tested to BS EN 442 standards
- 5 Year Manufacturer's Warranty*
- Can be single or dual fuel, or all electric
- Radiators come with cover caps on top and bottom the same colour as the radiator

* With conditions

Technical Tables & Drawings

Page 788-789



For all Peretti Matt White, Matt Anthracite, Matt Black, Chrome and Premium Towel Hangers, please refer to page 646-647.



Radiator Valves

Page 731-737



Aluminium Range

PERETTI HORIZONTAL

Pictured 86.0069 Matt Anthracite with 89.0290 Towel Hanger



Peretti Horizontal Aluminium Radiators - Matt White

Size H x W	Watts	BTU	Element Output	Element Type	Code	£ Ex VAT	£ Inc VAT
600 x 470mm	555	1894	300W	A, A+, C, H	86.0062	274.00	328.80
600 x 660mm	777	2651	450W	A, A+, C, H	86.0065	363.00	435.60
600 x 850mm	999	3409	600W	A, A+, C, H	86.0068	449.00	538.80
600 x 1040mm	1221	4166	750W	A, A+, C, H	86.0071	539.00	646.80
600 x 1230mm	1443	4924	900W	A, A+, C, H	86.0074	626.00	751.20

Peretti Horizontal Aluminium Radiators - Matt Anthracite

Size H x W	Watts	BTU	Element Output	Element Type	Code	£ Ex VAT	£ Inc VAT
600 x 470mm	555	1894	300W	A, A+, C, H	86.0063	267.00	320.40
600 x 660mm	777	2651	450W	A, A+, C, H	86.0066	363.00	435.60
600 x 850mm	999	3409	600W	A, A+, C, H	86.0069	449.00	538.80
600 x 1040mm	1221	4166	750W	A, A+, C, H	86.0072	539.00	646.80
600 x 1230mm	1443	4924	900W	A, A+, C, H	86.0075	626.00	751.20

Peretti Horizontal Aluminium Radiators - Matt Black

Size H x W	Watts	BTU	Element Output	Element Type	Code	£ Ex VAT	£ Inc VAT
600 x 470mm	555	1894	300W	A, A+, C, H	86.0064	274.00	328.80
600 x 660mm	777	2651	450W	A, A+, C, H	86.0067	363.00	435.60
600 x 850mm	999	3409	600W	A, A+, C, H	86.0070	449.00	538.80
600 x 1040mm	1221	4166	750W	A, A+, C, H	86.0073	539.00	646.80
600 x 1230mm	1443	4924	900W	A, A+, C, H	86.0076	626.00	751.20

Peretti Horizontal Aluminium Radiators - Polished Aluminium

Size H x W	Watts	BTU	Element Output	Element Type	Code	£ Ex VAT	£ Inc VAT
600 x 470mm	538	1837	300W	A, A+, C, H	86.0180	324.00	388.80
600 x 660mm	754	2571	450W	A, A+, C, H	86.0181	429.00	514.80
600 x 850mm	969	3307	600W	A, A+, C, H	86.0182	531.00	637.20
600 x 1040mm	1184	4041	750W	A, A+, C, H	86.0183	634.00	760.80
600 x 1230mm	1400	4776	900W	A, A+, C, H	86.0184	739.00	886.80

Prices include radiator and wall fixing sets, valves and accessories extra.

For element types
see pages 718-729.

Element can only be installed horizontally on the bottom header. Radiators that are electric only are restricted to the heat output of the elements (Type C up to 900 watts).



Matt White



Matt Anthracite



Matt Black



Polished Aluminium



Peretti Cover Cap Sets - Chrome

Description	Code	£ Ex VAT	£ Inc VAT
Cover Cap Set 470mm	86.0127	36.00	43.20
Cover Cap Set 660mm	86.0128	47.00	56.40
Cover Cap Set 850mm	86.0129	57.00	68.40
Cover Cap Set 1040mm	86.0130	72.00	86.40
Cover Cap Set 1230mm	86.0131	79.00	94.80

Cover cap sets only include cover caps for the top of the radiator.

Aluminium Range

PERETTI STANDARD TOWEL HANGERS



Towel Hanger - Matt White			
Size	Code	£ Ex VAT	£ Inc VAT
280mm	89.0186	59.00	70.80
375mm	89.0187	62.00	74.40
470mm	89.0188	70.00	84.00
565mm	86.0338	74.00	88.80



Towel Hanger - Matt Anthracite			
Size	Code	£ Ex VAT	£ Inc VAT
280mm	89.0189	59.00	70.80
375mm	89.0190	62.00	74.40
470mm	89.0191	70.00	84.00
565mm	86.0339	74.00	88.80



Towel Hanger - Matt Black			
Size	Code	£ Ex VAT	£ Inc VAT
280mm	89.0192	59.00	70.80
375mm	89.0193	62.00	74.40
470mm	89.0194	70.00	84.00
565mm	86.0340	74.00	88.80



Towel Hanger - Chrome			
Size	Code	£ Ex VAT	£ Inc VAT
280mm	86.0077	50.00	60.00
375mm	86.0078	59.00	70.80
470mm	86.0079	65.00	78.00
565mm	86.0341	68.00	81.60

TECHNICAL INFORMATION

Material: **Steel (Premium: Stainless Steel - Grade 304)**

Vertical Radiators:

1800mm height radiators comes with 3 pre-drilled towel hanger locations, with a maximum of 3 towel hangers - all widths; 280, 375, 470 and 565mm. 600mm height radiators comes with 1 pre-drilled towel hanger location, with a maximum of 1 towel hanger - 280mm width. The standard towel hangers are only compatible with the Vertical Radiators.

Can be fitted after installation only on high adjustment bracket fitting.

Horizontal Radiators:

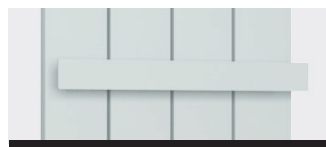
Don't have holes for Standard Towel Hangers (except 470mm width). Standard Towel Hanger can not be fitted. The Peretti Standard Towel Hangers will add approx 8mm width on each side once fitted to the radiator.



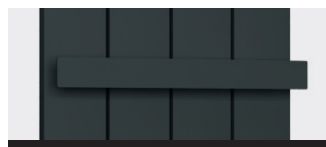
Towel Hanger - Mirror Polished Premium			
Size	Code	£ Ex VAT	£ Inc VAT
280mm	86.0201	69.00	82.80
375mm	86.0202	76.00	91.20
470mm	86.0203	82.00	98.40
565mm	86.0342	88.00	105.60

PERETTI FLAT STYLE TOWEL HANGERS

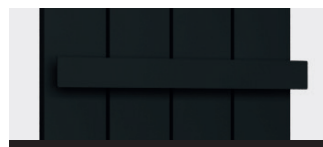
SINGLE FLAT STYLE



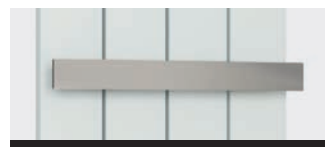
Towel Hanger - Matt White			
Size	Code	£ Ex VAT	£ Inc VAT
280mm	89.0283	68.00	81.60
375mm	89.0284	75.00	90.00
470mm	89.0285	84.00	100.80
565mm	91.0163	90.00	108.00
660mm	89.0286	95.00	114.00
850mm	89.0287	106.00	127.20



Towel Hanger - Matt Anthracite			
Size	Code	£ Ex VAT	£ Inc VAT
280mm	89.0288	68.00	81.60
375mm	89.0289	75.00	90.00
470mm	89.0290	84.00	100.80
565mm	91.0164	90.00	108.00
660mm	89.0291	95.00	114.00
850mm	89.0292	106.00	127.20



Towel Hanger - Matt Black			
Size	Code	£ Ex VAT	£ Inc VAT
280mm	89.0293	68.00	81.60
375mm	89.0294	75.00	90.00
470mm	89.0295	84.00	100.80
565mm	91.0165	90.00	108.00
660mm	89.0296	95.00	114.00
850mm	89.0297	106.00	127.20

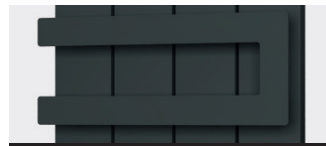


Towel Hanger - Chrome			
Size	Code	£ Ex VAT	£ Inc VAT
280mm	91.0094	93.00	111.60
375mm	91.0095	95.00	114.00
470mm	91.0096	97.00	116.40
565mm	91.0166	98.00	117.60
660mm	91.0097	102.00	122.40
850mm	91.0098	109.00	130.80

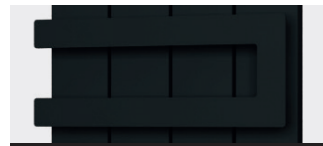
DOUBLE FLAT STYLE



Towel Hanger - Matt White			
Size	Code	£ Ex VAT	£ Inc VAT
280mm	89.0369	83.00	99.60
375mm	89.0370	87.00	104.40
470mm	89.0371	98.00	117.60
565mm	91.0167	108.00	129.60
660mm	89.0372	115.00	138.00
850mm	89.0373	128.00	153.60



Towel Hanger - Matt Anthracite			
Size	Code	£ Ex VAT	£ Inc VAT
280mm	89.0374	83.00	99.60
375mm	89.0375	87.00	104.40
470mm	89.0376	98.00	117.60
565mm	91.0168	108.00	129.60
660mm	89.0377	115.00	138.00
850mm	89.0378	128.00	153.60



Towel Hanger - Matt Black			
Size	Code	£ Ex VAT	£ Inc VAT
280mm	89.0379	83.00	99.60
375mm	89.0380	87.00	104.40
470mm	89.0381	98.00	117.60
565mm	91.0169	108.00	129.60
660mm	89.0382	115.00	138.00
850mm	89.0383	128.00	153.60



Towel Hanger - Chrome			
Size	Code	£ Ex VAT	£ Inc VAT
280mm	91.0114	118.00	141.60
375mm	91.0115	123.00	147.60
470mm	91.0116	125.00	150.00
565mm	91.0170	131.00	157.20
660mm	91.0117	135.00	162.00
850mm	91.0118	146.00	175.20

TECHNICAL INFORMATION

Material: **Steel**

Vertical and Horizontal Radiators:

Flat & Double Flat Style Hangers are compatible with both Vertical and Horizontal radiators. (Depending on the radiators and hangers width)

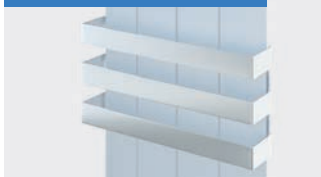
Must be fitted before installation!



Aluminium Range

PERETTI FLAT TRIPLE TOWEL HANGER

Brushed Stainless Steel



Polished Stainless Steel



Flat Triple Hanger - Brushed Stainless Steel

Size	Code	£ Ex VAT	£ Inc VAT
280mm	101.0048	228.00	273.60
375mm	101.0049	248.00	297.60
470mm	101.0050	284.00	340.80
565mm	101.0064	319.00	382.80

Flat Triple Hanger - Polished Stainless Steel

Size	Code	£ Ex VAT	£ Inc VAT
280mm	101.0054	228.00	273.60
375mm	101.0055	248.00	297.60
470mm	101.0056	284.00	340.80
565mm	101.0065	319.00	382.80

PERETTI CURVED TRIPLE TOWEL HANGER

Brushed Stainless Steel



Polished Stainless Steel



Curved Triple Hanger - Brushed Stainless Steel

Size	Code	£ Ex VAT	£ Inc VAT
280mm	101.0051	228.00	273.60
375mm	101.0052	248.00	297.60
470mm	101.0053	284.00	340.80
565mm	101.0066	319.00	382.80

Curved Triple Hanger - Polished Stainless Steel

Size	Code	£ Ex VAT	£ Inc VAT
280mm	101.0057	228.00	273.60
375mm	101.0058	248.00	297.60
470mm	101.0059	284.00	340.80
565mm	101.0067	319.00	382.80

Material: **Stainless Steel - Grade 304**

TECHNICAL INFORMATION

Vertical Radiators:

1800mm height radiators comes with 3 pre-drilled towel hanger locations. 600mm height radiators come with 1 pre-drilled towel hanger location. The flat triple & curved triple towel hangers are only compatible with the Vertical Radiators and can be fitted to the pre-drilled holes on 1800mm & 600mm height radiators. **Can be fitted after installation only on high adjustment bracket fitting.**

Horizontal Radiators:

The flat triple & curved triple towel hangers are not suitable for horizontal radiators.

PERETTI DESIGNER TOWEL HANGERS

Square Style



Square Towel Hanger - Matt White

Size	Code	£ Ex VAT	£ Inc VAT
375mm	101.0075	68.00	81.60
470mm	101.0076	75.00	90.00
565mm	101.0077	87.00	104.40

Square Towel Hanger - Matt Anthracite

Size	Code	£ Ex VAT	£ Inc VAT
375mm	101.0078	68.00	81.60
470mm	101.0079	75.00	90.00
565mm	101.0080	87.00	104.40

Square Towel Hanger - Matt Black

Size	Code	£ Ex VAT	£ Inc VAT
375mm	101.0081	68.00	81.60
470mm	101.0082	75.00	90.00
565mm	101.0083	87.00	104.40

Square Towel Hanger - Chrome

Size	Code	£ Ex VAT	£ Inc VAT
375mm	101.0084	79.00	94.80
470mm	101.0085	91.00	109.20
565mm	101.0086	106.00	127.20

Triangle Style



Triangle Towel Hanger - Matt White

Size	Code	£ Ex VAT	£ Inc VAT
375mm	101.0087	70.00	84.00
470mm	101.0088	79.00	94.80
565mm	101.0089	92.00	110.40

Triangle Towel Hanger - Matt Anthracite

Size	Code	£ Ex VAT	£ Inc VAT
375mm	101.0090	70.00	84.00
470mm	101.0091	79.00	94.80
565mm	101.0092	92.00	110.40

Triangle Towel Hanger - Matt Black

Size	Code	£ Ex VAT	£ Inc VAT
375mm	101.0093	70.00	84.00
470mm	101.0094	79.00	94.80
565mm	101.0095	92.00	110.40

Triangle Towel Hanger - Chrome

Size	Code	£ Ex VAT	£ Inc VAT
375mm	101.0096	80.00	96.00
470mm	101.0097	92.00	110.40
565mm	101.0098	109.00	130.80

Circle Style



Circle Towel Hanger - Matt White

Size	Code	£ Ex VAT	£ Inc VAT
375mm	101.0099	74.00	88.80
470mm	101.0100	81.00	97.20
565mm	101.0101	95.00	114.00

Circle Towel Hanger - Matt Anthracite

Size	Code	£ Ex VAT	£ Inc VAT
375mm	101.0102	74.00	88.80
470mm	101.0103	81.00	97.20
565mm	101.0104	95.00	114.00

Circle Towel Hanger - Matt Black

Size	Code	£ Ex VAT	£ Inc VAT
375mm	101.0105	74.00	88.80
470mm	101.0106	81.00	97.20
565mm	101.0107	95.00	114.00

Circle Towel Hanger - Chrome

Size	Code	£ Ex VAT	£ Inc VAT
375mm	101.0108	80.00	96.00
470mm	101.0109	93.00	111.60
565mm	101.0110	110.00	132.00

Material: **Steel**

TECHNICAL INFORMATION

Square, Triangle and Circle Towel Hangers are only compatible with vertical radiators and can be fitted to one of the three pre-drilled holes on the 1800mm height radiators. Square, Triangle and Circle Towel Hangers will add approx 8mm width on each side once fitted to the radiator. **Can be fitted after installation only on high adjustment bracket fitting.**

Aluminium Range

SANDHURST VERTICAL

Side or Bottom connection options



Pictured 86.0279 Matt Anthracite with 86.0331 x3 Towel Hangers (side connection valves shown)

An aluminium radiator with elliptical vertical panels that will take everyone's attention. Vertical model is available in 3 different colours, 3 width and 1 Height options. This radiator is capable of heating up very quickly, thanks to being constructed in aluminium.

Sandhurst Vertical Aluminium Radiators - Matt White

Size H x W	Watts	BTU	Element Output	Element Type	Code	£ Ex VAT	£ Inc VAT
1800 x 275mm	901	3074	450W	A, A+	86.0270	319.00	382.80
1800 x 415mm	1351	4611	750W	A, A+	86.0271	445.00	534.00
1800 x 485mm	1577	5380	900W	A, A+	86.0272	505.00	606.00

Sandhurst Vertical Aluminium Radiators - Matt Anthracite

Size H x W	Watts	BTU	Element Output	Element Type	Code	£ Ex VAT	£ Inc VAT
1800 x 275mm	901	3074	450W	A, A+	86.0278	319.00	382.80
1800 x 415mm	1351	4611	750W	A, A+	86.0279	445.00	534.00
1800 x 485mm	1577	5380	900W	A, A+	86.0280	505.00	606.00

Sandhurst Vertical Aluminium Radiators - Polished Aluminium

Size H x W	Watts	BTU	Element Output	Element Type	Code	£ Ex VAT	£ Inc VAT
1800 x 275mm	901	3074	450W	A, A+	86.0281	359.00	430.80
1800 x 415mm	1351	4611	750W	A, A+	86.0282	500.00	600.00
1800 x 485mm	1577	5380	900W	A, A+	86.0283	570.00	684.00

Prices include radiator and wall fixing sets, valves and accessories extra.

FEATURES

- Excellent heat conductivity and lightweight
- Only requires a low water volume
- Heats up very quickly
- Side or bottom connection options (only on vertical sizes)
- Radiators come with cover caps on top and bottom, same as radiator colour
- Tested to BS EN 442 standards
- 5 Year Manufacturer's Warranty*
- Can be single or dual fuel, or all electric
- * With conditions

TECHNICAL INFORMATION

All measurements in Height by Width. Heat output based on $\Delta T60^{\circ}\text{C}$. For matching valves see pages 731-737. Corrosion inhibitor must be added to the heating system and maintained. Flow diverter must only be fitted when radiator installed on central heating system. For indirect heating systems only. **Side connection:** Tappings are the width of the rail and approx 65mm off the wall. **Bottom connection:** Tappings are 65mm less than the width of the rail and approx 65mm off the wall.

Warranty

5

Year

Heating



All Electric



Dual-Fuel



For element types see pages 718-729.

Element can be installed vertically on the right-hand side or left-hand side on the bottom header. Radiators that are electric only are restricted to the heat output of the elements. For dual fuel installations, element must be installed on flow side.



Sandhurst Cover Cap Sets - Chrome

Description	Code	£ Ex VAT	£ Inc VAT
Cover Cap Set 275mm	86.0302	27.00	32.40
Cover Cap Set 415mm	86.0303	36.00	43.20
Cover Cap Set 485mm	86.0304	38.00	45.60

Cover cap sets only include cover caps for the top of the radiator.

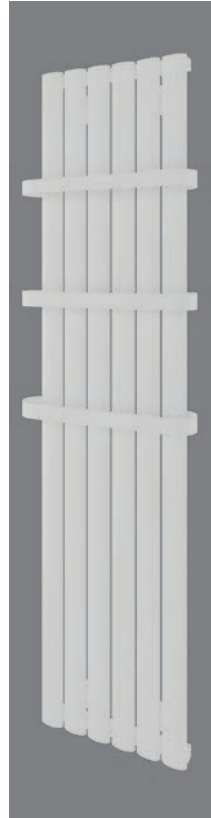
Aluminium Range

SANDHURST VERTICAL

Matt White

Matt Anthracite

Polished



SANDHURST - STANDARD TOWEL HANGERS



Towel Hanger - Matt White				
Size	Code	£ Ex VAT	£ Inc VAT	
275mm	86.0324	47.00	56.40	
415mm	86.0325	54.00	64.80	
485mm	86.0326	61.00	73.20	

Towel Hanger - Matt Anthracite				
Size	Code	£ Ex VAT	£ Inc VAT	
275mm	86.0327	47.00	56.40	
415mm	86.0328	54.00	64.80	
485mm	86.0329	61.00	73.20	

TECHNICAL INFORMATION

Material: **Steel**

Vertical Radiators:

1800mm height radiators comes with 3 pre-drilled towel hanger locations, with a maximum of 3 towel hangers - all widths; 275, 415 and 485mm. The standard towel hangers are only compatible with the Vertical Radiators. The Sandhurst Standard Towel Hangers will add approx 42mm width on each side once fitted to the radiator.

Must be fitted before installation!



Towel Hanger - Chrome				
Size	Code	£ Ex VAT	£ Inc VAT	
275mm	86.0330	47.00	56.40	
415mm	86.0331	54.00	64.80	
485mm	86.0332	61.00	73.20	

Technical Tables
& Drawings
Page 790-791



Pictured 86.0283 Polished Aluminium with 86.0332 x3 Towel Hangers (bottom connection valves shown)

Aluminium Range

SANDHURST HORIZONTAL

Warranty

5

Year

Heating



All Electric



Dual-Fuel



Pictured 86.0269 Matt White with 86.0308 Cover Caps

An aluminium radiator with elliptical vertical panels that will take everyone's attention. Horizontal model is available in 2 different colours, 5 width and 1 Height options. This radiator is capable of heating up very quickly, thanks to being constructed in aluminium.

TECHNICAL INFORMATION

All measurements in Height by Width. Heat output based on $\Delta T60^{\circ}\text{C}$. For matching valves see pages 731-737. Corrosion inhibitor must be added to the heating system and maintained. Flow diverter must only be fitted when radiator installed on central heating system. For indirect heating systems only. Tappings are the width of the rail and approx. 65mm off the wall.

Radiator Valves

Page 731-737



Aluminium Range

SANDHURST HORIZONTAL

Pictured 86.0276 Matt Anthracite



Sandhurst Horizontal Aluminium Radiators - Matt White

Size H x W	Watts	BTU	Element Output	Element Type	Code	£ Ex VAT	£ Inc VAT
600 x 485mm	526	1793	300W	A, A+	86.0265	258.00	309.60
600 x 625mm	676	2306	450W	A, A+	86.0266	310.00	372.00
600 x 835mm	901	3074	450W	A, A+	86.0267	390.00	468.00
600 x 1045mm	1126	3843	600W	A, A+	86.0268	469.00	562.80
600 x 1255mm	1351	4611	750W	A, A+	86.0269	552.00	662.40

Sandhurst Horizontal Aluminium Radiators - Matt Anthracite

Size H x W	Watts	BTU	Element Output	Element Type	Code	£ Ex VAT	£ Inc VAT
600 x 485mm	526	1793	300W	A, A+	86.0273	258.00	309.60
600 x 625mm	676	2306	450W	A, A+	86.0274	310.00	372.00
600 x 835mm	901	3074	450W	A, A+	86.0275	390.00	468.00
600 x 1045mm	1126	3843	600W	A, A+	86.0276	469.00	562.80
600 x 1255mm	1351	4611	750W	A, A+	86.0277	552.00	662.40

Prices include radiator and wall fixing sets, valves and accessories extra.

FEATURES

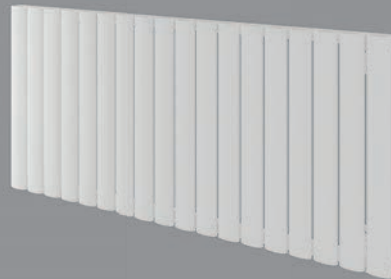
- Excellent heat conductivity and lightweight
- Only requires a low water volume
- Heats up very quickly
- Radiators come with cover caps on top and bottom, same as radiator colour
- Tested to BS EN 442 standards
- 5 Year Manufacturer's Warranty*
- Can be single or dual fuel, or all electric
- * With conditions

Technical Tables & Drawings

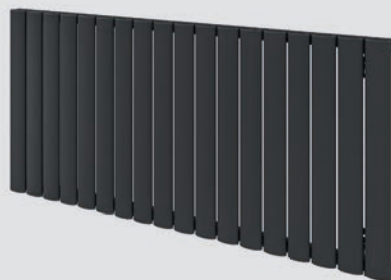
Page 790-791



Matt White



Matt Anthracite



For element types see pages 718-729.

Element can only be installed horizontally on the bottom header. Radiators that are electric only are restricted to the heat output of the elements (Type C up to 900 watts).



TOWEL HANGERS

Horizontal Radiators:

Horizontal radiators do not have holes for Standard Towel Hangers. Standard Towel Hangers can not be fitted.

Sandhurst Cover Cap Sets - Chrome

Description	Code	£ Ex VAT	£ Inc VAT
Cover Cap Set 485mm	86.0304	38.00	45.60
Cover Cap Set 625mm	86.0305	46.00	55.20
Cover Cap Set 835mm	86.0306	57.00	68.40
Cover Cap Set 1045mm	86.0307	65.00	78.00
Cover Cap Set 1255mm	86.0308	77.00	92.40

Cover cap sets only include cover caps for the top of the radiator.

Aluminium Range

BERKELEY HORIZONTAL

Matt White



Warranty

5

Year

Heating



Pictured 89.0712 Matt White

Matt Grey



Pictured 89.0722 Matt Grey

Matt Anthracite



Pictured 89.0732 Matt Anthracite

Aluminium Range

BERKELEY HORIZONTAL

Berkeley Aluminium Radiator - Matt White

Size H x W	Watts	BTU	Element Output	Element Type	Code	£ Ex VAT	£ Inc VAT
603 x 600mm	425	1451	N/A	N/A	89.0711	142.00	170.40
603 x 800mm	558	1904	N/A	N/A	89.0712	187.00	224.40
603 x 1000mm	690	2355	N/A	N/A	89.0713	235.00	282.00
603 x 1200mm	820	2798	N/A	N/A	89.0714	281.00	337.20
603 x 1400mm	949	3238	N/A	N/A	89.0715	327.00	392.40
603 x 1600mm	1077	3675	N/A	N/A	89.0716	372.00	446.40
603 x 1800mm	1204	4109	N/A	N/A	89.0717	420.00	504.00
603 x 2000mm	1330	4538	N/A	N/A	89.0718	466.00	559.20

Berkeley Aluminium Radiator - Matt Grey

Size H x W	Watts	BTU	Element Output	Element Type	Code	£ Ex VAT	£ Inc VAT
603 x 600mm	425	1451	N/A	N/A	89.0719	142.00	170.40
603 x 800mm	558	1904	N/A	N/A	89.0720	187.00	224.40
603 x 1000mm	690	2355	N/A	N/A	89.0721	235.00	282.00
603 x 1200mm	820	2798	N/A	N/A	89.0722	281.00	337.20
603 x 1400mm	949	3238	N/A	N/A	89.0723	327.00	392.40
603 x 1600mm	1077	3675	N/A	N/A	89.0724	372.00	446.40
603 x 1800mm	1204	4109	N/A	N/A	89.0725	420.00	504.00
603 x 2000mm	1330	4538	N/A	N/A	89.0726	466.00	559.20

Berkeley Aluminium Radiator - Matt Anthracite

Size H x W	Watts	BTU	Element Output	Element Type	Code	£ Ex VAT	£ Inc VAT
603 x 600mm	425	1451	N/A	N/A	89.0727	142.00	170.40
603 x 800mm	558	1904	N/A	N/A	89.0728	187.00	224.40
603 x 1000mm	690	2355	N/A	N/A	89.0729	235.00	282.00
603 x 1200mm	820	2798	N/A	N/A	89.0730	281.00	337.20
603 x 1400mm	949	3238	N/A	N/A	89.0731	327.00	392.40
603 x 1600mm	1077	3675	N/A	N/A	89.0732	372.00	446.40
603 x 1800mm	1204	4109	N/A	N/A	89.0733	420.00	504.00
603 x 2000mm	1330	4538	N/A	N/A	89.0734	466.00	559.20

TECHNICAL INFORMATION

All measurements in Height by Width. Heat output based on $\Delta T60^{\circ}\text{C}$. For matching valves see pages 731-737. Corrosion inhibitor must be added to the heating system and maintained. For indirect heating systems only. Tappings are the width of the rail and approx. 50mm off the wall. Projection from wall 70mm.

Horizontally positioned sleek and futuristic panels combined to create the radiator that will create an elegant look in every room it will be installed. When you are bored with the standard, old fashioned single panel radiators, just replace with a brand new Berkeley aluminium radiator, the perfect alternative for single panel radiators.

FEATURES

- Perfect alternative for Single Panel (Type11) Radiators
- Only requires a low water volume
- Heats up very quickly
- Tested to BS EN 442 standards
- 5 Year Manufacturer's Warranty*
- Not suitable for elements
- * With conditions

Technical Tables
& Drawings
Page 790-791



Round Vent Caps

Page 741



Radiator Valves

Page 731-737



Matt White



Matt Grey



Matt Anthracite



Aluminium Range

TORDINO VERTICAL



Round Vent Caps
Page 741

Pictured 89.1208 Matt White with
101.0110 Circle Towel Hanger Chrome



Pictured 89.1225 Matt Anthracite
with 89.0136 Towel Hangers

An aluminium radiator with front facing curved panels that will add luxury to your desired room, with a choice of towel hangers and your bathroom can also be heated while drying your towels. Available in vertical and horizontal styles and 4 colours options.

TECHNICAL INFORMATION

All measurements in Height by Width. Heat output based on $\Delta T60^{\circ}\text{C}$. For matching valves see pages 731-737. Corrosion inhibitor must be added to the heating system and maintained. Flow diverter must only be fitted when radiator installed on central heating system. For indirect heating systems only. Tappings are the width of the rail and 31 or 51mm off the wall. Projection from wall is 80 or 100mm.

FEATURES

- Excellent heat conductivity and lightweight
- Only requires a low water volume
- Heats up very quickly
- Radiators come with cover caps on top and bottom, same as radiator colour
- Tested to BS EN 442 standards
- 5 Year Manufacturer's Warranty*
- Can be single or dual fuel, or all electric
- * With conditions

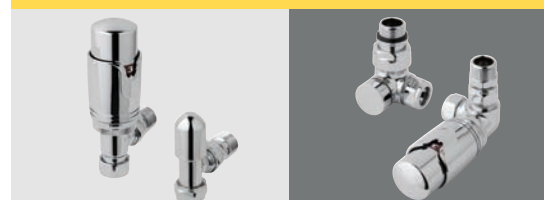
**Technical Tables
& Drawings**
Page 790-791



<p>Warranty</p> <p>5 Year</p>	<p>Heating</p>	<p>All Electric</p>	<p>Dual-Fuel</p>
---	-----------------------	----------------------------	-------------------------

Radiator Valves

Page 731-737



Aluminium Range

TORDINO VERTICAL



Tordino Vertical Aluminium Radiators - Matt White

Size H x W	Watts	BTU	Element Output	Element Type	Code	£ Ex VAT	£ Inc VAT
1800 x 280mm	864	2948	450W	A, A+, F, G	89.1205	299.00	358.80
1800 x 375mm	1149	3921	600W	A, A+, F, G	89.1206	383.00	459.60
1800 x 470mm	1432	4886	750W	A, A+, F, G	89.1207	468.00	561.60
1800 x 565mm	1713	5845	1000W	A, A+, F, G	89.1208	561.00	673.20

Tordino Vertical Aluminium Radiators - Matt Grey

Size H x W	Watts	BTU	Element Output	Element Type	Code	£ Ex VAT	£ Inc VAT
1800 x 280mm	864	2948	450W	A, A+, F, G	89.1214	299.00	358.80
1800 x 375mm	1149	3921	600W	A, A+, F, G	89.1215	383.00	459.60
1800 x 470mm	1432	4886	750W	A, A+, F, G	89.1216	468.00	561.60
1800 x 565mm	1713	5845	1000W	A, A+, F, G	89.1217	561.00	673.20

Tordino Vertical Aluminium Radiators - Matt Anthracite

Size H x W	Watts	BTU	Element Output	Element Type	Code	£ Ex VAT	£ Inc VAT
1800 x 280mm	864	2948	450W	A, A+, F, G	89.1223	299.00	358.80
1800 x 375mm	1149	3921	600W	A, A+, F, G	89.1224	383.00	459.60
1800 x 470mm	1432	4886	750W	A, A+, F, G	89.1225	468.00	561.60
1800 x 565mm	1713	5845	1000W	A, A+, F, G	89.1226	561.00	673.20

Tordino Vertical Aluminium Radiators - Matt Black

Size H x W	Watts	BTU	Element Output	Element Type	Code	£ Ex VAT	£ Inc VAT
1800 x 280mm	864	2948	450W	A, A+, F, G	89.1232	299.00	358.80
1800 x 375mm	1149	3921	600W	A, A+, F, G	89.1233	383.00	459.60
1800 x 470mm	1432	4886	750W	A, A+, F, G	89.1234	468.00	561.60
1800 x 565mm	1713	5845	1000W	A, A+, F, G	89.1235	561.00	673.20

Prices include radiator and wall fixing sets, valves and accessories extra.

For all Tordino Matt White, Matt Grey, Matt Anthracite, Matt Black, Chrome and Premium Towel Hangers, please refer to page 657.

For element types see pages 718-729.

Element can only be installed vertically on the right-hand side on the bottom header. Radiators that are electric only are restricted to the heat output of the elements. Element size can be increased to full capacity of rail if using element type F or G. For dual fuel installations, element must be installed on flow side.



Pictured 89.1215 Matt Grey with 89.0886L Towel Hanger



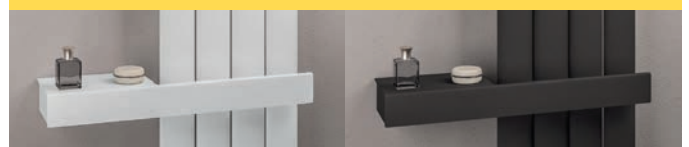
Tordino Cover Cap Sets - Chrome

Description	Code	£ Ex VAT	£ Inc VAT
Cover Cap Set 280mm	89.1236	13.00	15.60
Cover Cap Set 375mm	89.1237	15.00	18.00
Cover Cap Set 470mm	89.1238	17.00	20.40
Cover Cap Set 565mm	89.1239	21.00	25.20

Cover cap sets only include cover caps for the top of the radiator.

Multi-Purpose Towel Hangers

Page 740



Aluminium Range

TORDINO HORIZONTAL



Pictured 89.1221 Matt Anthracite



Pictured 89.1212 Matt Grey

Tordino Horizontal Aluminium Radiators - Matt White							
Size H x W	Watts	BTU	Element Output	Element Type	Code	£ Ex VAT	£ Inc VAT
600 x 470mm	520	1775	300W	A, A+, C, H	89.1200	245.00	294.00
600 x 660mm	724	2471	450W	A, A+, C, H	89.1201	322.00	386.40
600 x 850mm	927	3163	600W	A, A+, C, H	89.1202	403.00	483.60
600 x 1040mm	1129	3853	750W	A, A+, C, H	89.1203	478.00	573.60
600 x 1230mm	1329	4535	900W	A, A+, C, H	89.1204	563.00	675.60

Tordino Horizontal Aluminium Radiators - Matt Grey							
Size H x W	Watts	BTU	Element Output	Element Type	Code	£ Ex VAT	£ Inc VAT
600 x 470mm	520	1775	300W	A, A+, C, H	89.1209	245.00	294.00
600 x 660mm	724	2471	450W	A, A+, C, H	89.1210	322.00	386.40
600 x 850mm	927	3163	600W	A, A+, C, H	89.1211	403.00	483.60
600 x 1040mm	1129	3853	750W	A, A+, C, H	89.1212	478.00	573.60
600 x 1230mm	1329	4535	900W	A, A+, C, H	89.1213	563.00	675.60

Tordino Horizontal Aluminium Radiators - Matt Anthracite							
Size H x W	Watts	BTU	Element Output	Element Type	Code	£ Ex VAT	£ Inc VAT
600 x 470mm	520	1775	300W	A, A+, C, H	89.1218	245.00	294.00
600 x 660mm	724	2471	450W	A, A+, C, H	89.1219	322.00	386.40
600 x 850mm	927	3163	600W	A, A+, C, H	89.1220	403.00	483.60
600 x 1040mm	1129	3853	750W	A, A+, C, H	89.1221	478.00	573.60
600 x 1230mm	1329	4535	900W	A, A+, C, H	89.1222	563.00	675.60

Tordino Horizontal Aluminium Radiators - Matt Black							
Size H x W	Watts	BTU	Element Output	Element Type	Code	£ Ex VAT	£ Inc VAT
600 x 470mm	520	1775	300W	A, A+, C, H	89.1227	245.00	294.00
600 x 660mm	724	2471	450W	A, A+, C, H	89.1228	322.00	386.40
600 x 850mm	927	3163	600W	A, A+, C, H	89.1229	403.00	483.60
600 x 1040mm	1129	3853	750W	A, A+, C, H	89.1230	478.00	573.60
600 x 1230mm	1329	4535	900W	A, A+, C, H	89.1231	563.00	675.60

Prices include radiator and wall fixing sets, valves and accessories extra.

For element types see pages 718-729.

Element can only be installed horizontally on the bottom header. Radiators that are electric only are restricted to the heat output of the elements. (Type C up to 900 Watts)

Warranty

5

Year

Heating

All Electric

Dual-Fuel

FEATURES

- Excellent heat conductivity and lightweight
 - Only requires a low water volume
 - Heats up very quickly
 - Radiators come with cover caps on top and bottom, same as radiator colour
 - Tested to BS EN 442 standards
 - 5 Year Manufacturer's Warranty*
 - Can be single or dual fuel, or all electric
- * With conditions

Technical Tables & Drawings
Page 792-793



TECHNICAL INFORMATION

All measurements in Height by Width. Heat output based on $\Delta T60^{\circ}C$. For matching valves see pages 731-737. Corrosion inhibitor must be added to the heating system and maintained. Flow diverter must only be fitted when radiator installed on central heating system. For indirect heating systems only. Tappings are the width of the rail and 31 or 51mm off the wall. Projection from wall is 80 or 100mm.



Tordino Cover Cap Sets - Chrome

Description	Code	£ Ex VAT	£ Inc VAT
Cover Cap Set 470mm	89.1238	17.00	20.40
Cover Cap Set 660mm	89.1240	26.00	31.20
Cover Cap Set 850mm	89.1241	32.00	38.40
Cover Cap Set 1040mm	89.1242	39.00	46.80
Cover Cap Set 1230mm	89.1243	44.00	52.80

Cover cap sets only include cover caps for the top of the radiator.

Round Vent Caps
Page 741

Aluminium Range

TORDINO STANDARD TOWEL HANGERS



Towel Hanger - Matt White				
Size	Code	£ Ex VAT	£ Inc VAT	
280mm	89.0177	59.00	70.80	
375mm	89.0178	62.00	74.40	
470mm	89.0179	70.00	84.00	
565mm	86.0333	74.00	88.80	



Towel Hanger - Matt Anthracite				
Size	Code	£ Ex VAT	£ Inc VAT	
280mm	89.0180	59.00	70.80	
375mm	89.0181	62.00	74.40	
470mm	89.0182	70.00	84.00	
565mm	86.0334	74.00	88.80	



Towel Hanger - Matt Black				
Size	Code	£ Ex VAT	£ Inc VAT	
280mm	89.0183	59.00	70.80	
375mm	89.0184	62.00	74.40	
470mm	89.0185	70.00	84.00	
565mm	86.0335	74.00	88.80	



Towel Hanger - Chrome				
Size	Code	£ Ex VAT	£ Inc VAT	
280mm	89.0134	50.00	60.00	
375mm	89.0135	53.00	63.60	
470mm	89.0136	61.00	73.20	
565mm	86.0336	68.00	81.60	

TECHNICAL INFORMATION

Material: Steel (Premium: Stainless Steel - Grade 304)

Vertical Radiators:

1800mm height radiators comes with 3 pre-drilled towel hanger locations, with a maximum of 3 towel hangers - all widths; 280, 375, 470 and 565mm. The standard towel hangers are only compatible with the Vertical Radiators.

Can be fitted after installation only on high adjustment bracket fitting.

Horizontal Radiators:

Don't have holes for Standard Towel Hangers. Standard Towel Hanger can not be fitted. The Tordino Standard Towel Hangers will add approx 8mm width on each side once fitted to the radiator.



Towel Hanger - Matt Grey				
Size	Code	£ Ex VAT	£ Inc VAT	
280mm	89.1616	59.00	70.80	
375mm	89.1617	62.00	74.40	
470mm	89.1618	70.00	84.00	
565mm	89.1619	74.00	88.80	



Towel Hanger - Mirror Polished Premium				
Size	Code	£ Ex VAT	£ Inc VAT	
280mm	86.0198	69.00	82.80	
375mm	86.0199	76.00	91.20	
470mm	86.0200	82.00	98.40	
565mm	86.0337	88.00	105.60	

TORDINO DESIGNER TOWEL HANGERS

Square Style



Square Towel Hanger - Matt White				
Size	Code	£ Ex VAT	£ Inc VAT	
375mm	101.0075	68.00	81.60	
470mm	101.0076	75.00	90.00	
565mm	101.0077	87.00	104.40	

Square Towel Hanger - Matt Anthracite				
Size	Code	£ Ex VAT	£ Inc VAT	
375mm	101.0078	68.00	81.60	
470mm	101.0079	75.00	90.00	
565mm	101.0080	87.00	104.40	

Square Towel Hanger - Matt Black				
Size	Code	£ Ex VAT	£ Inc VAT	
375mm	101.0081	68.00	81.60	
470mm	101.0082	75.00	90.00	
565mm	101.0083	87.00	104.40	

Square Towel Hanger - Chrome				
Size	Code	£ Ex VAT	£ Inc VAT	
375mm	101.0084	79.00	94.80	
470mm	101.0085	91.00	109.20	
565mm	101.0086	106.00	127.20	

Triangle Style



Triangle Towel Hanger - Matt White				
Size	Code	£ Ex VAT	£ Inc VAT	
375mm	101.0087	70.00	84.00	
470mm	101.0088	79.00	94.80	
565mm	101.0089	92.00	110.40	

Triangle Towel Hanger - Matt Anthracite				
Size	Code	£ Ex VAT	£ Inc VAT	
375mm	101.0090	70.00	84.00	
470mm	101.0091	79.00	94.80	
565mm	101.0092	92.00	110.40	

Triangle Towel Hanger - Matt Black				
Size	Code	£ Ex VAT	£ Inc VAT	
375mm	101.0093	70.00	84.00	
470mm	101.0094	79.00	94.80	
565mm	101.0095	92.00	110.40	

Triangle Towel Hanger - Chrome				
Size	Code	£ Ex VAT	£ Inc VAT	
375mm	101.0096	80.00	96.00	
470mm	101.0097	92.00	110.40	
565mm	101.0098	109.00	130.80	

Circle Style



Circle Towel Hanger - Matt White				
Size	Code	£ Ex VAT	£ Inc VAT	
375mm	101.0099	74.00	88.80	
470mm	101.0100	81.00	97.20	
565mm	101.0101	95.00	114.00	

Circle Towel Hanger - Matt Anthracite				
Size	Code	£ Ex VAT	£ Inc VAT	
375mm	101.0102	74.00	88.80	
470mm	101.0103	81.00	97.20	
565mm	101.0104	95.00	114.00	

Circle Towel Hanger - Matt Black				
Size	Code	£ Ex VAT	£ Inc VAT	
375mm	101.0105	74.00	88.80	
470mm	101.0106	81.00	97.20	
565mm	101.0107	95.00	114.00	

Circle Towel Hanger - Chrome				
Size	Code	£ Ex VAT	£ Inc VAT	
375mm	101.0108	80.00	96.00	
470mm	101.0109	93.00	111.60	
565mm	101.0110	110.00	132.00	

TECHNICAL INFORMATION

Material: Steel

Square, Triangle and Circle Towel Hangers are only compatible with vertical radiators and can be fitted to one of the three pre-drilled holes on the 1800mm height radiators. Square, Triangle and Circle Towel Hangers will add approx 8mm width on each side once fitted to the radiator. **Can be fitted after installation only on high adjustment bracket fitting.**

Aluminium Range

GUARDIA VERTICAL

High Output



Pictured 86.0032 Matt White with 86.0239 Towel Hanger

A versatile designer radiator which can be fitted to show the flat side or the curved profile of the panels, allowing the radiator to fit into your lifestyle and decor. Available in horizontal and vertical designs this radiator heats up quickly to warm your whole room.

Guardia Vertical Aluminium Radiators - Matt White

Size H x W	Watts	BTU	Element Output	Element Type	Code	£ Ex VAT	£ Inc VAT
1200 x 280mm	960	3276	N/A	N/A	86.0446	396.00	475.20
1200 x 375mm	1280	4367	N/A	N/A	86.0449	513.00	615.60
1200 x 470mm	1600	5459	N/A	N/A	86.0452	626.00	751.20
1200 x 565mm	1920	6551	N/A	N/A	86.0455	743.00	891.60
1800 x 280mm	1368	4668	N/A	N/A	86.0029	499.00	598.80
1800 x 375mm	1824	6224	N/A	N/A	86.0032	646.00	775.20
1800 x 470mm	2280	7780	N/A	N/A	86.0035	792.00	950.40
1800 x 565mm	2736	9335	N/A	N/A	86.0291	964.00	1156.80

Guardia Vertical Aluminium Radiators - Matt Grey

Size H x W	Watts	BTU	Element Output	Element Type	Code	£ Ex VAT	£ Inc VAT
1200 x 280mm	960	3276	N/A	N/A	86.0482	396.00	475.20
1200 x 375mm	1280	4367	N/A	N/A	86.0483	513.00	615.60
1200 x 470mm	1600	5459	N/A	N/A	86.0484	626.00	751.20
1200 x 565mm	1920	6551	N/A	N/A	86.0485	743.00	891.60
1800 x 280mm	1368	4668	N/A	N/A	86.0189	499.00	598.80
1800 x 375mm	1824	6224	N/A	N/A	86.0190	646.00	775.20
1800 x 470mm	2280	7780	N/A	N/A	86.0191	792.00	950.40
1800 x 565mm	2736	9335	N/A	N/A	86.0292	964.00	1156.80

Guardia Vertical Aluminium Radiators - Matt Anthracite

Size H x W	Watts	BTU	Element Output	Element Type	Code	£ Ex VAT	£ Inc VAT
1200 x 280mm	960	3276	N/A	N/A	86.0447	396.00	475.20
1200 x 375mm	1280	4367	N/A	N/A	86.0450	513.00	615.60
1200 x 470mm	1600	5459	N/A	N/A	86.0453	626.00	751.20
1200 x 565mm	1920	6551	N/A	N/A	86.0456	743.00	891.60
1800 x 280mm	1368	4668	N/A	N/A	86.0030	499.00	598.80
1800 x 375mm	1824	6224	N/A	N/A	86.0033	646.00	775.20
1800 x 470mm	2280	7780	N/A	N/A	86.0036	792.00	950.40
1800 x 565mm	2736	9335	N/A	N/A	86.0293	964.00	1156.80

Guardia Vertical Aluminium Radiators - Matt Black

Size H x W	Watts	BTU	Element Output	Element Type	Code	£ Ex VAT	£ Inc VAT
1200 x 280mm	960	3276	N/A	N/A	86.0448	396.00	475.20
1200 x 375mm	1280	4367	N/A	N/A	86.0451	513.00	615.60
1200 x 470mm	1600	5459	N/A	N/A	86.0454	626.00	751.20
1200 x 565mm	1920	6551	N/A	N/A	86.0457	743.00	891.60
1800 x 280mm	1368	4668	N/A	N/A	86.0031	499.00	598.80
1800 x 375mm	1824	6224	N/A	N/A	86.0034	646.00	775.20
1800 x 470mm	2280	7780	N/A	N/A	86.0037	792.00	950.40
1800 x 565mm	2736	9335	N/A	N/A	86.0294	964.00	1156.80

Warranty

5

Year

Heating



Technical Tables
& Drawings
Page 792-793



Guardia Cover Cap Sets - Chrome

Description	Code	£ Ex VAT	£ Inc VAT
Cover Cap Set 280mm	86.0118	27.00	32.40
Cover Cap Set 375mm	86.0119	36.00	43.20
Cover Cap Set 470mm	86.0120	39.00	46.80
Cover Cap Set 565mm	86.0311	75.00	90.00

Cover cap sets only include cover caps for the top of the radiator.

Aluminium Range

GUARDIA VERTICAL

FEATURES

- Can be reversed when hanging on the wall
 - Excellent heat conductivity and lightweight
 - Only requires a low water volume
 - Heats up very quickly
 - Radiators come with cover caps on top and bottom, same as radiator colour
 - Tested to BS EN 442 standards
 - 5 Year Manufacturer's Warranty*
 - Not suitable for elements
- * With conditions

TECHNICAL INFORMATION

All measurements in Height by Width. Heat output based on $\Delta T 60^{\circ}\text{C}$. For matching valves see pages 731-737. Corrosion inhibitor must be added to the heating system and maintained. Flow diverter must only be fitted when radiator installed on central heating system. For indirect heating systems only. Tappings are the width of the rail and approx. 65mm off the wall.

Can be reversed when hanging on the wall. Either side can be used as front facing.

Flat Side

Curved Side

Matt White

Matt Grey

Matt Anthracite

Matt Black



GUARDIA - WALL MOUNTED TOWEL HANGERS



Towel Hanger - Matt White			
Size	Code	£ Ex VAT	£ Inc VAT
280mm	86.0226	79.00	94.80
375mm	86.0227	87.00	104.40
470mm	86.0228	93.00	111.60
565mm	86.0343	103.00	123.60



Towel Hanger - Matt Grey			
Size	Code	£ Ex VAT	£ Inc VAT
280mm	86.0229	79.00	94.80
375mm	86.0230	87.00	104.40
470mm	86.0231	93.00	111.60
565mm	86.0344	103.00	123.60



Towel Hanger - Matt Anthracite			
Size	Code	£ Ex VAT	£ Inc VAT
280mm	86.0232	79.00	94.80
375mm	86.0233	87.00	104.40
470mm	86.0234	93.00	111.60
565mm	86.0345	103.00	123.60



Towel Hanger - Matt Black			
Size	Code	£ Ex VAT	£ Inc VAT
280mm	86.0235	79.00	94.80
375mm	86.0236	87.00	104.40
470mm	86.0237	93.00	111.60
565mm	86.0346	103.00	123.60

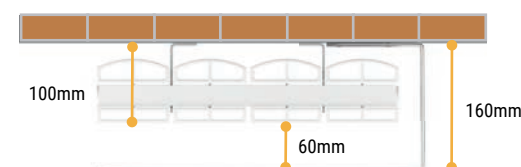
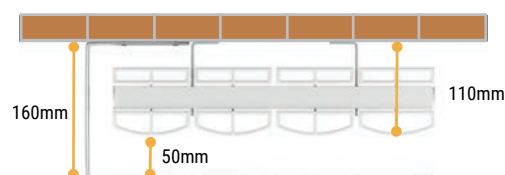
TECHNICAL INFORMATION

Material: Steel

Vertical Radiators:

- Guardia Towel Hangers must be mounted on the wall. Can be fitted on both flat and curved type of installation.
- Guardia Towel Hangers can be mounted Left Hand or Right Hand of the radiator. Once the towel hanger is mounted on the wall, the radiator must be fitted from the side.
- Total length of each towel hanger is 30mm longer than the width of the radiator, making the radiator's width +30mm on the side they are mounted on. Towel hangers can be mounted at any height vertically on the wall.

Must be fitted before radiator installation!



Towel Hanger - Chrome			
Size	Code	£ Ex VAT	£ Inc VAT
280mm	86.0238	82.00	98.40
375mm	86.0239	91.00	109.20
470mm	86.0240	105.00	126.00
565mm	86.0347	112.00	134.40

Aluminium Range

GUARDIA HORIZONTAL

Warranty
5
Year

Heating

All Electric

Dual-Fuel



Curved Side

Pictured 86.0045 Matt Anthracite with Chrome Cover Caps 86.0122 (x2)



Flat Side

Pictured 86.0194 Matt Grey with Chrome Cover Caps 86.0122 (x2)



Guardia Cover Cap Sets - Chrome

Description	Code	£ Ex VAT	£ Inc VAT
Cover Cap Set 470mm	86.0120	39.00	46.80
Cover Cap Set 660mm	86.0121	52.00	62.40
Cover Cap Set 850mm	86.0122	66.00	79.20
Cover Cap Set 1040mm	86.0123	79.00	94.80
Cover Cap Set 1230mm	86.0124	91.00	109.20
Cover Cap Set 1420mm	86.0175	99.00	118.80

Cover cap sets only include cover caps for the top of the radiator.

For element types see pages 718-729.

Element can only be installed horizontally on the bottom header. When ordering fluid filled rails with elements, please specify the front facing side. The element will be fitted on the right hand side as standard.

Radiators that are electric only are restricted to the heat output of the elements (Type C up to 900 watts).



Curved Side

Flat Side

Aluminium Range

A versatile designer radiator which can be fitted to show the flat panel side or the curved style of the panels, allowing the radiator to fit into your lifestyle and decor. Available in horizontal and vertical designs this radiator heats up quickly to warm your whole room.

Guardia Horizontal Aluminium Radiators - Matt White							
Size H x W	Watts	BTU	Element Output	Element Type	Code	£ Ex VAT	£ Inc VAT
600 x 470mm	800	2730	450W	A, A+, C, H	86.0038	355.00	426.00
600 x 660mm	1120	3822	600W	A, A+, C, H	86.0041	473.00	567.60
600 x 850mm	1440	4913	750W	A, A+, C, H	86.0044	593.00	711.60
600 x 1040mm	1790	6005	1000W	A, A+, H	86.0047	711.00	853.20
600 x 1230mm	2080	7097	1200W	A, A+	86.0050	831.00	997.20
600 x 1420mm	2400	8190	1200W	A, A+	86.0170	971.00	1165.20

Guardia Horizontal Aluminium Radiators - Matt Grey							
Size H x W	Watts	BTU	Element Output	Element Type	Code	£ Ex VAT	£ Inc VAT
600 x 470mm	800	2730	450W	A, A+, C, H	86.0192	355.00	426.00
600 x 660mm	1120	3822	600W	A, A+, C, H	86.0193	473.00	567.60
600 x 850mm	1440	4913	750W	A, A+, C, H	86.0194	593.00	711.60
600 x 1040mm	1790	6005	1000W	A, A+, H	86.0195	711.00	853.20
600 x 1230mm	2080	7097	1200W	A, A+	86.0196	831.00	997.20
600 x 1420mm	2400	8190	1200W	A, A+	86.0197	971.00	1165.20

Guardia Horizontal Aluminium Radiators - Matt Anthracite							
Size H x W	Watts	BTU	Element Output	Element Type	Code	£ Ex VAT	£ Inc VAT
600 x 470mm	800	2730	450W	A, A+, C, H	86.0039	355.00	426.00
600 x 660mm	1120	3822	600W	A, A+, C, H	86.0042	473.00	567.60
600 x 850mm	1440	4913	750W	A, A+, C, H	86.0045	593.00	711.60
600 x 1040mm	1790	6005	1000W	A, A+, H	86.0048	711.00	853.20
600 x 1230mm	2080	7097	1200W	A, A+	86.0051	831.00	997.20
600 x 1420mm	2400	8190	1200W	A, A+	86.0171	971.00	1165.20

Guardia Horizontal Aluminium Radiators - Matt Black							
Size H x W	Watts	BTU	Element Output	Element Type	Code	£ Ex VAT	£ Inc VAT
600 x 470mm	800	2730	450W	A, A+, C, H	86.0040	355.00	426.00
600 x 660mm	1120	3822	600W	A, A+, C, H	86.0043	473.00	567.60
600 x 850mm	1440	4913	750W	A, A+, C, H	86.0046	593.00	711.60
600 x 1040mm	1790	6005	1000W	A, A+, H	86.0049	711.00	853.20
600 x 1230mm	2080	7097	1200W	A, A+	86.0052	831.00	997.20
600 x 1420mm	2400	8190	1200W	A, A+	86.0172	971.00	1165.20

FEATURES

- Can be reversed when hanging on the wall
 - Excellent heat conductivity and lightweight
 - Only requires a low water volume
 - Heats up very quickly
 - Radiators come with cover caps on top and bottom, same as radiator colour
 - Tested to BS EN 442 standards
 - 5 Year Manufacturer's Warranty*
 - Not suitable for elements
- * With conditions

Technical Tables & Drawings

Page 792-793



TECHNICAL INFORMATION

All measurements in Height by Width. Heat output based on $\Delta T60^{\circ}\text{C}$. For matching valves see pages 731-737. Corrosion inhibitor must be added to the heating system and maintained. Flow diverter must only be fitted when radiator installed on central heating system. For indirect heating systems only. Tappings are the width of the rail and approx. 65mm off the wall.

Can be reversed when hanging on the wall. Either side can be used as front facing.

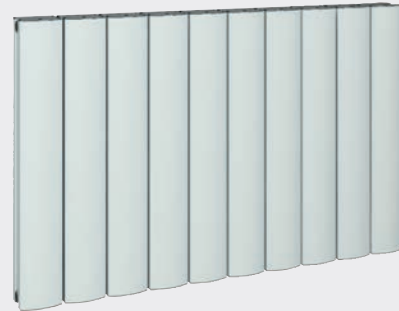
Flat Side >>



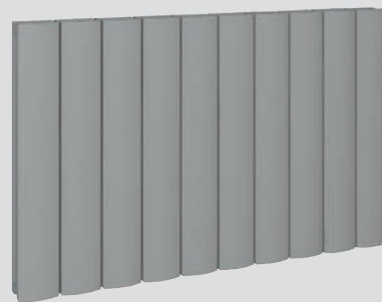
Curved Side >>

GUARDIA HORIZONTAL

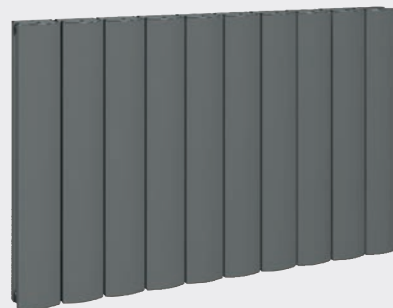
Matt White



Matt Grey



Matt Anthracite



Matt Black



Radiator Valves

Page 731-737



Aluminium Range

HADLEIGH VERTICAL

High Output



Pictured 86.0247 Matt White with 86.0322 Towel Hanger

A versatile aluminium radiator with double profile construction panels that allows the radiator to produce high heat outputs. This radiator will fit into your lifestyle. Vertical version is available in 3 colours, 2 heights and 4 different widths.

Hadleigh Vertical Aluminium Radiators - Matt White

Size H x W	Watts	BTU	Element Output	Element Type	Code	£ Ex VAT	£ Inc VAT
1200 x 275mm	779	2658	N/A	N/A	86.0461	377.00	452.40
1200 x 415mm	1169	3987	N/A	N/A	86.0464	537.00	644.40
1200 x 485mm	1363	4652	N/A	N/A	86.0467	618.00	741.60
1200 x 555mm	1558	5316	N/A	N/A	86.0470	698.00	837.60
1800 x 275mm	1003	3422	N/A	N/A	86.0246	446.00	535.20
1800 x 415mm	1504	5132	N/A	N/A	86.0247	634.00	760.80
1800 x 485mm	1755	5988	N/A	N/A	86.0248	729.00	874.80
1800 x 555mm	2006	6843	N/A	N/A	86.0458	889.00	1066.80

Hadleigh Vertical Aluminium Radiators - Matt Anthracite

Size H x W	Watts	BTU	Element Output	Element Type	Code	£ Ex VAT	£ Inc VAT
1200 x 275mm	779	2658	N/A	N/A	86.0462	377.00	452.40
1200 x 415mm	1169	3987	N/A	N/A	86.0465	537.00	644.40
1200 x 485mm	1363	4652	N/A	N/A	86.0468	618.00	741.60
1200 x 555mm	1558	5316	N/A	N/A	86.0471	698.00	837.60
1800 x 275mm	1003	3422	N/A	N/A	86.0254	446.00	535.20
1800 x 415mm	1504	5132	N/A	N/A	86.0255	634.00	760.80
1800 x 485mm	1755	5988	N/A	N/A	86.0256	729.00	874.80
1800 x 555mm	2006	6843	N/A	N/A	86.0459	889.00	1066.80

Hadleigh Vertical Aluminium Radiators - Matt Black

Size H x W	Watts	BTU	Element Output	Element Type	Code	£ Ex VAT	£ Inc VAT
1200 x 275mm	779	2658	N/A	N/A	86.0463	377.00	452.40
1200 x 415mm	1169	3987	N/A	N/A	86.0466	537.00	644.40
1200 x 485mm	1363	4652	N/A	N/A	86.0469	618.00	741.60
1200 x 555mm	1558	5316	N/A	N/A	86.0472	698.00	837.60
1800 x 275mm	1003	3422	N/A	N/A	86.0262	446.00	535.20
1800 x 415mm	1504	5132	N/A	N/A	86.0263	634.00	760.80
1800 x 485mm	1755	5988	N/A	N/A	86.0264	729.00	874.80
1800 x 555mm	2006	6843	N/A	N/A	86.0460	889.00	1066.80

FEATURES

- Special double profile construction for high heat output
 - Excellent heat conductivity and lightweight
 - Only requires a low water volume
 - Heats up very quickly
 - Radiators come with cover caps on top and bottom, same as radiator colour
 - Tested to BS EN 442 standards
 - 5 Year Manufacturer's Warranty*
 - Not suitable for elements
- * With conditions

Technical Tables
& Drawings
Page 792-793



TECHNICAL INFORMATION

All measurements in Height by Width. Heat output based on $\Delta T60^{\circ}\text{C}$. For matching valves see pages 731-737. Corrosion inhibitor must be added to the heating system and maintained. Flow diverter must only be fitted when radiator installed on central heating system. For indirect heating systems only. Tappings are the width of the rail and approx. 65mm off the wall.



Hadleigh Cover Cap Sets - Chrome

Description	Code	£ Ex VAT	£ Inc VAT
Cover Cap Set 275mm	86.0295	40.00	48.00
Cover Cap Set 415mm	86.0296	57.00	68.40
Cover Cap Set 485mm	86.0297	63.00	75.60
Cover Cap Set 555mm	86.0488	75.00	90.00

Cover cap sets only include cover caps for the top of the radiator.

Aluminium Range

HADLEIGH VERTICAL

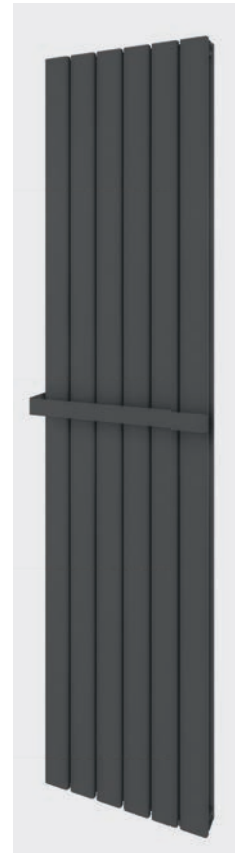
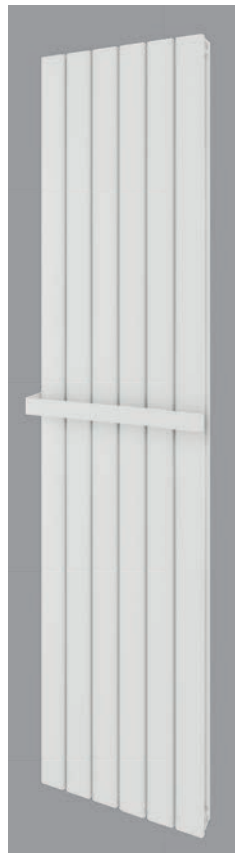


Pictured 86.0468 Matt Anthracite

Matt White

Matt Anthracite

Matt Black



HADLEIGH - WALL MOUNTED TOWEL HANGERS



Towel Hanger - Matt White			
Size	Code	£ Ex VAT	£ Inc VAT
275mm	86.0312	77.00	92.40
415mm	86.0313	85.00	102.00
485mm	86.0314	93.00	111.60
555mm	86.0490	107.00	128.40



Towel Hanger - Matt Anthracite			
Size	Code	£ Ex VAT	£ Inc VAT
275mm	86.0315	77.00	92.40
415mm	86.0316	85.00	102.00
485mm	86.0317	93.00	111.60
555mm	86.0491	107.00	128.40



Towel Hanger - Matt Black			
Size	Code	£ Ex VAT	£ Inc VAT
275mm	86.0318	77.00	92.40
415mm	86.0319	85.00	102.00
485mm	86.0320	93.00	111.60
555mm	86.0492	107.00	128.40



Towel Hanger - Chrome			
Size	Code	£ Ex VAT	£ Inc VAT
275mm	86.0321	82.00	98.40
415mm	86.0322	90.00	108.00
485mm	86.0323	104.00	124.80
555mm	86.0493	119.00	142.80

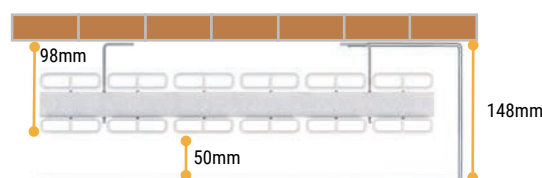
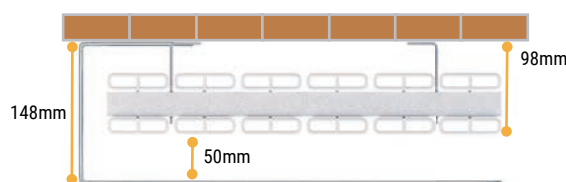
TECHNICAL INFORMATION

Material: Steel

Vertical Radiators:

- Hadleigh Towel Hangers must be mounted on the wall.
- Hadleigh Towel Hangers can be mounted Left Hand or Right Hand of the radiator. Once the towel hanger is mounted on the wall, the radiator must be fitted from the side.
- Total length of each towel hanger is 30mm longer than the width of the radiator, making the radiator's width +30mm on the side they are mounted on. Towel hangers can be mounted at any height vertically on the wall.

Must be fitted before radiator installation!



Radiator Valves

Page 731-737



Aluminium Range

HADLEIGH HORIZONTAL

Warranty

5

Year

Heating



All Electric



Dual-Fuel



Pictured 86.0243 Matt White



Pictured 86.0252 Matt Anthracite with 86.0300 x2 Cover Caps Chrome

Aluminium Range

A versatile aluminium radiator with double profile construction panels that allows the radiator to produce high heat outputs. This radiator will fit into your lifestyle. Horizontal version is available in 3 colours, 1 height and 6 different widths.

Hadleigh Horizontal Aluminium Radiators - Matt White

Size H x W	Watts	BTU	Element Output	Element Type	Code	£ Ex VAT	£ Inc VAT
600 x 485mm	821	2801	450W	A, A+, C, H	86.0241	329.00	394.80
600 x 625mm	1055	3601	600W	A, A+, C, H	86.0242	405.00	486.00
600 x 835mm	1407	4802	750W	A, A+, C, H	86.0243	517.00	620.40
600 x 1045mm	1759	6002	1000W	A, A+, C, H	86.0244	631.00	757.20
600 x 1255mm	2111	7202	1200W	A, A+, C, H	86.0245	744.00	892.80
600 x 1395mm	2345	8003	1200W	A, A+, C, H	86.0473	894.00	1072.80

Hadleigh Horizontal Aluminium Radiators - Matt Anthracite

Size H x W	Watts	BTU	Element Output	Element Type	Code	£ Ex VAT	£ Inc VAT
600 x 485mm	821	2801	450W	A, A+, C, H	86.0249	329.00	394.80
600 x 625mm	1055	3601	450W	A, A+, C, H	86.0250	405.00	486.00
600 x 835mm	1407	4802	750W	A, A+, C, H	86.0251	517.00	620.40
600 x 1045mm	1759	6002	900W	A, A+, C, H	86.0252	631.00	757.20
600 x 1255mm	2111	7202	1200W	A, A+, C, H	86.0253	744.00	892.80
600 x 1395mm	2345	8003	1200W	A, A+, C, H	86.0474	894.00	1072.80

Hadleigh Horizontal Aluminium Radiators - Matt Black

Size H x W	Watts	BTU	Element Output	Element Type	Code	£ Ex VAT	£ Inc VAT
600 x 485mm	821	2801	450W	A, A+, C, H	86.0257	329.00	394.80
600 x 625mm	1055	3601	450W	A, A+, C, H	86.0258	405.00	486.00
600 x 835mm	1407	4802	750W	A, A+, C, H	86.0259	517.00	620.40
600 x 1045mm	1759	6002	900W	A, A+, C, H	86.0260	631.00	757.20
600 x 1255mm	2111	7202	1200W	A, A+, C, H	86.0261	744.00	892.80
600 x 1395mm	2345	8003	1200W	A, A+, C, H	86.0475	894.00	1072.80

FEATURES

- Special double profile construction for high heat output
- Excellent heat conductivity and lightweight
- Only requires a low water volume
- Heats up very quickly
- Radiators come with cover caps on top and bottom, same as radiator colour
- Tested to BS EN 442 standards
- 5 Year Manufacturer's Warranty*
- Not suitable for elements
- * With conditions

Technical Tables
& Drawings
Page 794-795



TECHNICAL INFORMATION

All measurements in Height by Width. Heat output based on $\Delta T60^{\circ}\text{C}$. For matching valves see pages 731-737. Corrosion inhibitor must be added to the heating system and maintained. Flow diverter must only be fitted when radiator installed on central heating system. For indirect heating systems only. Tappings are the width of the rail and approx. 65mm off the wall.

Radiator Valves

Page 731-737



For element types see pages 718-729.

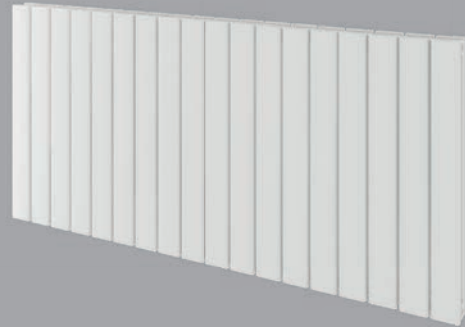
Element can only be installed horizontally on the bottom header.

Radiators that are electric only are restricted to the heat output of the elements (Type C up to 900 watts).

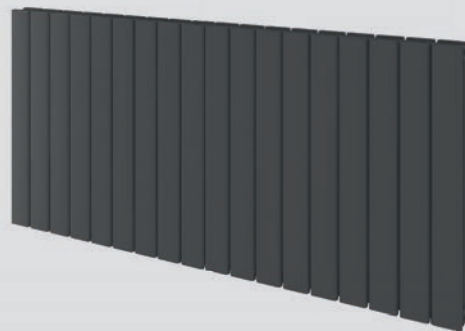


HADLEIGH HORIZONTAL

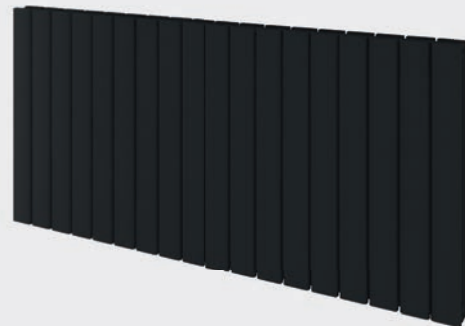
Matt White



Matt Anthracite



Matt Black



Hadleigh Cover Caps - Chrome

Description	Code	£ Ex VAT	£ Inc VAT
Cover Cap Set 485mm	86.0297	63.00	75.60
Cover Cap Set 625mm	86.0298	77.00	92.40
Cover Cap Set 835mm	86.0299	97.00	116.40
Cover Cap Set 1045mm	86.0300	118.00	141.60
Cover Cap Set 1255mm	86.0301	141.00	169.20
Cover Cap Set 1395mm	86.0486	165.00	198.00

Cover cap sets only include cover caps for the top of the radiator.

Aluminium Range

VESIMA VERTICAL



Pictured 86.0085 Matt Black

A sleek elegant radiator with clean lines which will provide a stylish focus to any room. Available in three colours as well as horizontal and vertical designs. Additional towel hangers available with the vertical design to allow versatility.

FEATURES

- Excellent heat conductivity and lightweight
- Only requires a low water volume
- Heats up very quickly
- Radiators come with cover caps on top and bottom, same as radiator colour
- Tested to BS EN 442 standards
- 5 Year Manufacturer's Warranty*
- Can be single or dual fuel, or all electric
- * With conditions

Technical Tables & Drawings
Page 794-795

Warranty

5

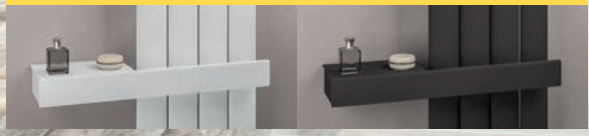
Year

Heating

All Electric

Dual-Fuel

Multi-Purpose Towel Hangers
Page 740



Vesima Vertical Aluminium Radiators - Matt White							
Size H x W	Watts	BTU	Element Output	Element Type	Code	£ Ex VAT	£ Inc VAT
1800 x 303mm	1068	3644	600W	A	86.0080	389.00	466.80
1800 x 403mm	1424	4859	900W	A	86.0083	489.00	586.80
1800 x 503mm	1780	6074	900W	A	86.0086	592.00	710.40
1800 x 603mm	2134	7282	900W	A	86.0476	752.00	902.40

Vesima Vertical Aluminium Radiators - Matt Anthracite							
Size H x W	Watts	BTU	Element Output	Element Type	Code	£ Ex VAT	£ Inc VAT
1800 x 303mm	1068	3644	600W	A	86.0081	389.00	466.80
1800 x 403mm	1424	4859	900W	A	86.0084	489.00	586.80
1800 x 503mm	1780	6074	900W	A	86.0087	572.00	686.40
1800 x 603mm	2134	7282	900W	A	86.0477	752.00	902.40

Vesima Vertical Aluminium Radiators - Matt Black							
Size H x W	Watts	BTU	Element Output	Element Type	Code	£ Ex VAT	£ Inc VAT
1800 x 303mm	1068	3644	600W	A	86.0082	389.00	466.80
1800 x 403mm	1424	4859	900W	A	86.0085	489.00	586.80
1800 x 503mm	1780	6074	900W	A	86.0088	592.00	710.40
1800 x 603mm	2134	7282	900W	A	86.0478	752.00	902.40

Prices include radiator and wall fixing sets, valves and accessories extra.

Aluminium Range



VESIMA STANDARD TOWEL HANGERS

Vesima Standard Towel Hangers - Premium Stainless Steel Mirror Polished

Description	Colour	Code	£ Ex VAT	£ Inc VAT
Towel Hanger 303mm	Premium Mirror Polished	86.0204	73.00	87.60
Towel Hanger 403mm	Premium Mirror Polished	86.0205	77.00	92.40
Towel Hanger 503mm	Premium Mirror Polished	86.0206	85.00	102.00
Towel Hanger 603mm	Premium Mirror Polished	86.0489	108.00	129.60

Vesima Standard Towel Hangers - Matt White

Description	Colour	Code	£ Ex VAT	£ Inc VAT
Towel Hanger 303mm	Matt White	89.0195	61.00	73.20
Towel Hanger 403mm	Matt White	89.0196	66.00	79.20
Towel Hanger 503mm	Matt White	89.0197	75.00	90.00
Towel Hanger 603mm	Matt White	89.1400	81.00	97.20

Vesima Standard Towel Hangers - Matt Anthracite

Description	Colour	Code	£ Ex VAT	£ Inc VAT
Towel Hanger 303mm	Matt Anthracite	89.0198	61.00	73.20
Towel Hanger 403mm	Matt Anthracite	89.0199	66.00	79.20
Towel Hanger 503mm	Matt Anthracite	89.0200	75.00	90.00
Towel Hanger 603mm	Matt Anthracite	89.1401	81.00	97.20

Vesima Standard Towel Hangers - Matt Black

Description	Colour	Code	£ Ex VAT	£ Inc VAT
Towel Hanger 303mm	Matt Black	89.0201	61.00	73.20
Towel Hanger 403mm	Matt Black	89.0202	66.00	79.20
Towel Hanger 503mm	Matt Black	89.0203	75.00	90.00
Towel Hanger 603mm	Matt Black	89.1402	81.00	97.20

Vesima Standard Towel Hangers - Chrome

Description	Colour	Code	£ Ex VAT	£ Inc VAT
Towel Hanger 303mm	Chrome	86.0104	52.00	62.40
Towel Hanger 403mm	Chrome	86.0105	61.00	73.20
Towel Hanger 503mm	Chrome	86.0106	66.00	79.20
Towel Hanger 603mm	Chrome	89.1403	73.00	87.60

VESIMA VERTICAL



Pictured 86.0083 Matt White with 86.0105 Towel Hangers x3 & 86.0133 Cover Caps x2

TECHNICAL INFORMATION

All measurements in Height by Width. Heat output based on $\Delta T60^{\circ}\text{C}$. For matching valves see pages 731-737. Corrosion inhibitor must be added to the heating system and maintained. Flow diverter must only be fitted when radiator installed on central heating system. For indirect heating systems only. Tappings are the width of the rail and 60 or 80mm off the wall.



Vesima Cover Cap Sets - Chrome

Description	Code	£ Ex VAT	£ Inc VAT
Cover Cap Set 303mm	86.0132	27.00	32.40
Cover Cap Set 403mm	86.0133	33.00	39.60
Cover Cap Set 503mm	86.0134	38.00	45.60
Cover Cap Set 603mm	86.0135	47.00	56.40

Cover cap sets only include cover caps for the top of the radiator.

For element types see pages 718-729.

Element can be installed vertically on the right-hand side or left-hand side on the bottom header. Radiators that are electric only are restricted to the heat output of the elements. For dual fuel installations, element must be installed on flow side.



Aluminium Range

VESIMA HORIZONTAL



Pictured 86.0101 Matt White & 86.0138 Cover Caps x2

A sleek elegant radiator with clean lines which will provide a stylish focus to any room. Available in three colours as well as horizontal and vertical designs.

FEATURES

- Excellent heat conductivity and lightweight
 - Only requires a low water volume
 - Heats up very quickly
 - Radiators come with cover caps on top and bottom, same as radiator colour
 - Tested to BS EN 442 standards
 - 5 Year Manufacturer's Warranty*
 - Can be single or dual fuel, or all electric
- * With conditions

**Technical Tables
& Drawings**
Page 794-795



Warranty
5
Year

Heating

All Electric

Dual-Fuel

Aluminium Range

VESIMA HORIZONTAL

Vesima Horizontal Aluminium Radiators - Matt White

Size H x W	Watts	BTU	Element Output	Element Type	Code	£ Ex VAT	£ Inc VAT
600 x 503mm	660	2252	300W	A, C, H	86.0089	273.00	327.60
600 x 603mm	792	2702	300W	A, C, H	86.0092	314.00	376.80
600 x 803mm	1056	3603	600W	A, C, H	86.0095	394.00	472.80
600 x 1003mm	1320	4504	600W	A, C, H	86.0098	478.00	573.60
600 x 1203mm	1584	5405	900W	A, C, H	86.0101	559.00	670.80
600 x 1403mm	1844	6293	900W	A, C, H	86.0479	682.00	818.40

Vesima Horizontal Aluminium Radiators - Matt Anthracite

Size H x W	Watts	BTU	Element Output	Element Type	Code	£ Ex VAT	£ Inc VAT
600 x 503mm	660	2252	300W	A, C, H	86.0090	273.00	327.60
600 x 603mm	792	2702	300W	A, C, H	86.0093	314.00	376.80
600 x 803mm	1056	3603	600W	A, C, H	86.0096	394.00	472.80
600 x 1003mm	1320	4504	600W	A, C, H	86.0099	478.00	573.60
600 x 1203mm	1584	5405	900W	A, C, H	86.0102	559.00	670.80
600 x 1403mm	1844	6293	900W	A, C, H	86.0480	682.00	818.40

Vesima Horizontal Aluminium Radiators - Matt Black

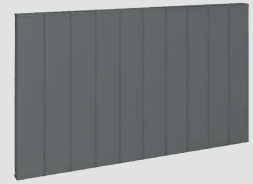
Size H x W	Watts	BTU	Element Output	Element Type	Code	£ Ex VAT	£ Inc VAT
600 x 503mm	660	2252	300W	A, C, H	86.0091	273.00	327.60
600 x 603mm	792	2702	300W	A, C, H	86.0094	314.00	376.80
600 x 803mm	1056	3603	600W	A, C, H	86.0097	394.00	472.80
600 x 1003mm	1320	4504	600W	A, C, H	86.0100	478.00	573.60
600 x 1203mm	1584	5405	900W	A, C, H	86.0103	559.00	670.80
600 x 1403mm	1844	6293	900W	A, C, H	86.0481	682.00	818.40

Prices include radiator and wall fixing sets, valves and accessories extra.

Matt White



Matt Anthracite



Matt Black



Vesima Cover Cap Sets

Cover cap sets only include cover caps for the top or bottom of the radiator.

TECHNICAL INFORMATION

All measurements in Height by Width. Heat output based on $\Delta T60^{\circ}\text{C}$. For matching valves see pages 731-737. Corrosion inhibitor must be added to the heating system and maintained. Flow diverter must only be fitted when radiator installed on central heating system. For indirect heating systems only. Tappings are the width of the rail and 60 or 80mm off the wall. Element can only be installed horizontally on the bottom header.



Pictured 86.0480 Matt Anthracite



Vesima Cover Cap Sets - Chrome

Description	Code	£ Ex VAT	£ Inc VAT
Cover Cap Set 503mm	86.0134	38.00	45.60
Cover Cap Set 603mm	86.0135	47.00	56.40
Cover Cap Set 803mm	86.0136	57.00	68.40
Cover Cap Set 1003mm	86.0137	73.00	87.60
Cover Cap Set 1203mm	86.0138	84.00	100.80
Cover Cap Set 1403mm	86.0487	92.00	110.40

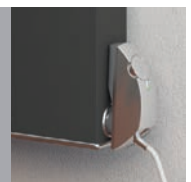
Radiator Valves

Page 731-737



For element types see pages 718-729.

Element can only be installed horizontally on the bottom header. Radiators that are electric only are restricted to the heat output of the elements (Type C up to 900 watts).



Aluminium Range

PRESTON VERTICAL



Pictured 89.0161 Matt White & 89.0164 Towel Hangers



Pictured 89.0793 Matt Black & 89.0164 Towel Hangers

Multi-Purpose Towel Hangers

Page 740



A slimline radiator ideal for those situations where space is at a minimum. With the additional extra towel hangers this radiator is ideal for drying kitchen or bathroom towels. Available in three finishes.

FEATURES

- Excellent heat conductivity and lightweight
- Only requires a low water volume
- Heats up very quickly
- Radiators come with cover caps on top and bottom, same as radiator colour
- Tested to BS EN 442 standards
- 5 Year Manufacturer's Warranty*
- Can be single or dual fuel, or all electric
- * With conditions

Technical Tables & Drawings

Page 794-795



Warranty

5

Year

Heating

All Electric

Dual-Fuel

Aluminium Range

PRESTON VERTICAL

Preston Aluminium Radiators - Matt White							
Size H x W	Watts	BTU	Element Output	Element Type	Code	£ Ex VAT	£ Inc VAT
1200 x 185mm	374	1277	150W	A, A+, F, G	89.0791	187.00	224.40
1800 x 185mm	540	1843	300W	A, A+, F, G	89.0161	202.00	242.40

Preston Aluminium Radiators - Matt Anthracite							
Size H x W	Watts	BTU	Element Output	Element Type	Code	£ Ex VAT	£ Inc VAT
1200 x 185mm	374	1277	150W	A, A+, F, G	89.0792	187.00	224.40
1800 x 185mm	540	1843	300W	A, A+, F, G	89.0162	202.00	242.40

Preston Aluminium Radiators - Matt Black							
Size H x W	Watts	BTU	Element Output	Element Type	Code	£ Ex VAT	£ Inc VAT
1200 x 185mm	374	1277	150W	A, A+, F, G	89.0793	187.00	224.40
1800 x 185mm	540	1843	300W	A, A+, F, G	89.0163	202.00	242.40

Prices include radiator and wall fixing sets, valves and accessories extra.

TECHNICAL INFORMATION

All measurements in Height by Width. Heat output based on $\Delta T_{60}^{\circ}\text{C}$. For matching valves see pages 731-737. Corrosion inhibitor must be added to the heating system and maintained. Flow diverter must only be fitted when radiator installed on central heating system. For indirect heating systems only. Tappings are the width of the rail and 33 or 53mm off the wall.



SWATCHES AVAILABLE



Pictured 89.0162 Matt Anthracite with 89.0164 Towel Hangers x3 & 89.0175 Cover Caps x2



Preston Cover Cap Sets - Chrome

Cap Set Size	Code	£ Ex VAT	£ Inc VAT
185mm	89.0175	16.00	19.20

Cover cap set only includes cover caps for the top or bottom of the radiator.

Preston Standard Towel Hangers

Hanger Size	Colour	Code	£ Ex VAT	£ Inc VAT
185mm	Premium Mirror Polished	86.0207	63.00	75.60
185mm	Matt White	89.0204	51.00	61.20
185mm	Matt Anthracite	89.0205	51.00	61.20
185mm	Matt Black	89.0206	51.00	61.20
185mm	Chrome	89.0164	43.00	51.60

1800mm height radiator comes with 3 pre-drilled towel hanger locations, with a maximum of 3 towel hangers. 1200mm height radiators comes with 2 pre-drilled towel hanger locations, with a maximum of 2 towel hangers. The Preston Standard Towel Hangers will add approx. 23mm width on each side once fitted to the radiator.

Can be fitted after installation only on high adjustment bracket fitting.



Premium

86.0207

Matt White	Matt Anthracite	Matt Black	Chrome
89.0204	89.0205	89.0206	89.0164

For element types see pages 718-729.

Element can only be installed vertically on the right-hand side on the bottom header. Radiators that are electric only are restricted to the heat output of the elements. Element size can be increased to full capacity of rail if using element type F or G. For dual fuel installations, element must be installed on flow side.



Round Vent Caps

Page 741



Aluminium Range

BERLINI VERTICAL



Pictured 86.0186 Polished Aluminium with 86.0110 Towel Hangers x3 & 86.0139 Cover Caps x2



Pictured 86.0107 Matt White with 86.0110 Towel Hangers

Multi-Purpose Towel Hangers

Page 740



This slimline radiator will be an ideal solution for those tight spaces. The radiator looks stunning paired with the towel hangers to complete the look. Available in four finishes, this radiator heats up quickly and is lightweight.

FEATURES

- Excellent heat conductivity and lightweight
- Only requires a low water volume
- Heats up very quickly
- Radiators come with cover caps on top and bottom, same as radiator colour
- Tested to BS EN 442 standards
- 5 Year Manufacturer's Warranty*
- Can be single or dual fuel, or all electric
- * With conditions

Technical Tables
& Drawings
Page 794-795



Warranty

5

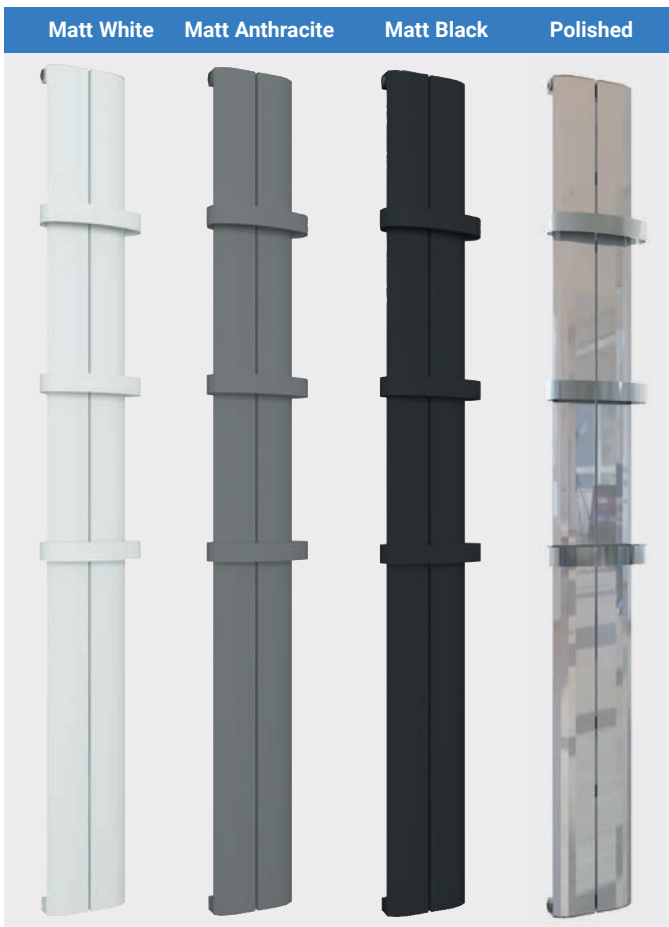
Year

Heating

All Electric

Dual-Fuel

Aluminium Range



Berlini Aluminium Radiator - Matt White

Size H x W	Watts	BTU	Element Output	Element Type	Code	£ Ex VAT	£ Inc VAT
1200 x 185mm	421	1438	150W	A, A+	86.0144	223.00	267.60
1800 x 185mm	632	2156	300W	A, A+	86.0107	238.00	285.60

Berlini Aluminium Radiator - Matt Anthracite

Size H x W	Watts	BTU	Element Output	Element Type	Code	£ Ex VAT	£ Inc VAT
1200 x 185mm	421	1438	150W	A, A+	86.0145	223.00	267.60
1800 x 185mm	632	2156	300W	A, A+	86.0108	238.00	285.60

Berlini Aluminium Radiator - Matt Black

Size H x W	Watts	BTU	Element Output	Element Type	Code	£ Ex VAT	£ Inc VAT
1200 x 185mm	421	1438	150W	A, A+	86.0146	223.00	267.60
1800 x 185mm	632	2156	300W	A, A+	86.0109	238.00	285.60

Berlini Aluminium Radiator - Polished Aluminium

Size H x W	Watts	BTU	Element Output	Element Type	Code	£ Ex VAT	£ Inc VAT
1200 x 185mm	408	1393	150W	A, A+	86.0185	244.00	292.80
1800 x 185mm	611	2092	300W	A, A+	86.0186	278.00	333.60

Prices include radiator and wall fixing sets, valves and accessories extra.

TECHNICAL INFORMATION

All measurements in Height by Width. Heat output based on ▲T60°C. For matching valves see pages 731-737. Corrosion inhibitor must be added to the heating system and maintained. Flow diverter must only be fitted when radiator installed on central heating system. For indirect heating systems only. Tappings are the width of the rail and 35 or 55mm off the wall.

For element types see pages 718-729.

Element can only be installed vertically on the right hand side on the bottom header. Radiators that are electric only are restricted to the heat output of the elements. For dual fuel installations, element must be installed on flow side.



BERLINI VERTICAL



Pictured 86.0145 Matt Anthracite with 89.0882R Multi-Purpose Towel Hanger & 86.0139 Cover Caps x2



Berlini Standard Towel Hangers

Description	Colour	Code	£ Ex VAT	£ Inc VAT
Towel Hanger 185mm	Premium Mirror Polished	86.0207	63.00	75.60
Towel Hanger 185mm	Matt White	89.0204	51.00	61.20
Towel Hanger 185mm	Matt Anthracite	89.0205	51.00	61.20
Towel Hanger 185mm	Matt Black	89.0206	51.00	61.20
Towel Hanger 185mm	Chrome	86.0110	44.00	52.80

1800mm height radiator comes with 3 pre-drilled towel hanger locations, with a maximum of 3 towel hangers. 1200mm height radiators comes with 2 pre-drilled towel hanger locations, with a maximum of 2 towel hangers. The Preston Standard Towel Hangers will add approx 23mm width on each side once fitted to the radiator. **Can be fitted after installation only on high adjustment bracket fitting.**

Berlini Cover Cap Set - Chrome

Description	Code	£ Ex VAT	£ Inc VAT
Cover Cap Set 185mm	86.0139	24.00	28.80

Cover cap sets only include cover caps for the top of the radiator.



Aluminium Range


FAIRFORD VERTICAL



Warranty
5
Year

Heating


All Electric


Dual-Fuel


Round Vent Caps
Page 741




Pictured 89.0227 Matt Anthracite with 89.0320 Towel Hangers

This slimline radiator is an ideal solution for those tight or tall spaces. This wavy element design has a curved front that will provide a stylish warmth to any room. Available in two colours as well as horizontal and vertical designs.

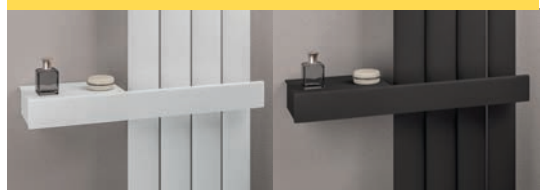
FEATURES

- Excellent heat conductivity and lightweight
- Only requires a low water volume
- Heats up very quickly
- Radiators come with cover caps on top and bottom, same as radiator colour
- Tested to BS EN 442 standards
- 5 Year Manufacturer's Warranty*
- Can be single or dual fuel, or all electric
- * With conditions

Technical Tables & Drawings
Page 796-797



Multi-Purpose Towel Hangers
Page 740



Aluminium Range

FAIRFORD VERTICAL

Fairford Vertical Aluminium Radiators - Matt White

Size H x W	Watts	BTU	Element Output	Element Type	Code	£ Ex VAT	£ Inc VAT
1200 x 375mm	760	2594	450W	A, A+, F, G	89.0221	379.00	454.80
1200 x 565mm	1144	3904	750W	A, A+, F, G	89.0737	538.00	645.60
1800 x 375mm	1140	3890	750W	A, A+, F, G	89.0222	438.00	525.60
1800 x 565mm	1716	5855	1000W	A, A+, F, G	89.0735	624.00	748.80

Fairford Vertical Aluminium Radiators - Matt Anthracite

Size H x W	Watts	BTU	Element Output	Element Type	Code	£ Ex VAT	£ Inc VAT
1200 x 375mm	760	2594	450W	A, A+, F, G	89.0227	379.00	454.80
1200 x 565mm	1144	3904	750W	A, A+, F, G	89.0738	538.00	645.60
1800 x 375mm	1140	3890	750W	A, A+, F, G	89.0228	438.00	525.60
1800 x 565mm	1716	5855	1000W	A, A+, F, G	89.0736	624.00	748.80

Prices include radiator and wall fixing sets, valves and accessories extra.



Fairford Cover Caps - Chrome

Description	Code	£ Ex VAT	£ Inc VAT
Cover Cap 375mm	89.0399	20.00	24.00
Cover Cap 565mm	89.0400	26.00	31.20

Cover cap set only includes cover caps for the top or bottom of the radiator.

For element types see pages 718-729.

Element can only be installed vertically on the right-hand side on the bottom header. Radiators that are electric only are restricted to the heat output of the elements. Element size can be increased to full capacity of rail if using element type F or G. For dual fuel installations, element must be installed on flow side.



TECHNICAL INFORMATION

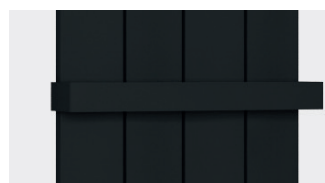
All measurements in Height by Width. Heat output based on $\Delta T60^{\circ}\text{C}$. For matching valves see pages 731-737. Corrosion inhibitor must be added to the heating system and maintained. Flow diverter must only be fitted when radiator installed on central heating system. For indirect heating systems only. Tappings are the width of the rail and 33 or 53mm off the wall.

FAIRFORD STANDARD TOWEL HANGERS



Towel Hanger - Matt White

Size	Code	£ Ex VAT	£ Inc VAT
375mm	89.0318	53.00	63.60
565mm	89.0319	66.00	79.20



Towel Hanger - Matt Anthracite

Size	Code	£ Ex VAT	£ Inc VAT
375mm	89.0320	53.00	63.60
565mm	89.0321	66.00	79.20



Towel Hanger - Chrome

Size	Code	£ Ex VAT	£ Inc VAT
375mm	89.0322	53.00	63.60
565mm	89.0323	66.00	79.20

1800mm height radiators come with 3 pre-drilled towel hanger locations, with a maximum of 3 towel hangers.

1200mm height radiators come with 2 pre-drilled towel hanger locations, with a maximum of 2 towel hangers.

The standard towel hangers are compatible with the Vertical radiators. (Depending on the radiators and hangers width)

Can be fitted after installation only on high adjustment bracket fitting.

The Fairford Standard Towel Hangers will add approx 8mm width on each side once fitted to the radiator.



Pictured 89.0222 Matt White with 89.0322 Towel Hangers

Aluminium Range

FAIRFORD HORIZONTAL

Warranty
5
Year

Heating


All Electric


Dual-Fuel




Pictured 89.0225 Matt Anthracite

This modern radiator has a curved front design that will provide a stylish warmth to any room. Available in two colours as well as horizontal and vertical designs.

Fairford Horizontal Aluminium Radiators - Matt White

Size H x W	Watts	BTU	Element Output	Element Type	Code	£ Ex VAT	£ Inc VAT
600 x 375mm	392	1338	300W	A, A+	89.0217	220.00	264.00
600 x 565mm	591	2017	300W	A, A+, C, H	89.0218	308.00	369.60
600 x 945mm	987	3368	600W	A, A+, C, H	89.0219	505.00	606.00
600 x 1325mm	1382	4716	900W	A, A+, C, H	89.0220	696.00	835.20

Fairford Horizontal Aluminium Radiators - Matt Anthracite

Size H x W	Watts	BTU	Element Output	Element Type	Code	£ Ex VAT	£ Inc VAT
600 x 375mm	392	1338	300W	A, A+	89.0223	220.00	264.00
600 x 565mm	591	2017	300W	A, A+, C, H	89.0224	308.00	369.60
600 x 945mm	987	3368	600W	A, A+, C, H	89.0225	505.00	606.00
600 x 1325mm	1382	4716	900W	A, A+, C, H	89.0226	696.00	835.20

Prices include radiator and wall fixing sets, valves and accessories extra.

FEATURES

- Excellent heat conductivity and lightweight
 - Only requires a low water volume
 - Heats up very quickly
 - Radiators come with cover caps on top and bottom, same as radiator colour
 - Tested to BS EN 442 standards
 - 5 Year Manufacturer's Warranty*
 - Can be single or dual fuel, or all electric
- * With conditions

Technical Tables & Drawings
Page 796-797



Round Vent Caps
Page 741



Aluminium Range

FAIRFORD HORIZONTAL



Pictured 89.0220 Matt White

FAIRFORD STANDARD TOWEL HANGERS



Towel Hanger - Matt White			
Size	Code	£ Ex VAT	£ Inc VAT
375mm*	89.0318	53.00	63.60
565mm**	89.0319	66.00	79.20
Suitable 375mm width radiators only*			
Suitable 565mm width radiators only**			



Towel Hanger - Matt Anthracite			
Size	Code	£ Ex VAT	£ Inc VAT
375mm*	89.0320	53.00	63.60
565mm**	89.0321	66.00	79.20
Suitable 375mm width radiators only*			
Suitable 565mm width radiators only**			



Towel Hanger - Chrome			
Size	Code	£ Ex VAT	£ Inc VAT
375mm*	89.0322	53.00	63.60
565mm**	89.0323	66.00	79.20
Suitable 375mm width radiators only*			
Suitable 565mm width radiators only**			

600mm height radiators come with 1 pre-drilled towel hanger location, with a maximum of 1 towel hanger. (only 375 and 565mm widths)

The Standard Towel Hangers are compatible with the Horizontal radiators. (Depending on the radiators and hangers width)

Can be fitted after installation only on high adjustment bracket fitting.

The Fairford Standard Towel Hangers will add approx 8mm width on each side once fitted to the radiator.



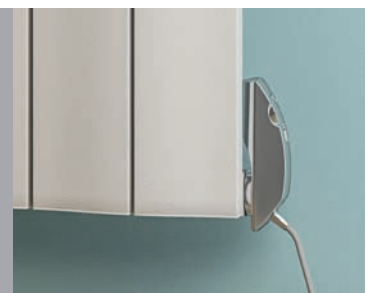
Fairford Cover Cap Set - Chrome

Description	Code	£ Ex VAT	£ Inc VAT
Cover Cap 375mm	89.0399	20.00	24.00
Cover Cap 565mm	89.0400	26.00	31.20
Cover Cap 945mm	89.0401	35.00	42.00
Cover Cap 1325mm	89.0402	47.00	56.40

Cover cap set only includes cover caps for the top or bottom of the radiator.

For element types see pages 718-729.

Element can only be installed horizontally on the bottom header. Radiators that are electric only are restricted to the heat output of the elements (Type C up to 900 watts).



TECHNICAL INFORMATION

All measurements in Height by Width. Heat output based on $\Delta T60^{\circ}\text{C}$. For matching valves see pages 731-737. Corrosion inhibitor must be added to the heating system and maintained. Flow diverter must only be fitted when radiator installed on central heating system. For indirect heating systems only. Tappings are the width of the rail and 33 or 53mm off the wall.

Aluminium Range

BURFORD VERTICAL

Pictured 89.0236 Matt White with 89.0342 Towel Hangers



This slimline radiator would be an ideal solution for those tight or tall spaces. This design has a curved front that will provide a stylish warmth to any room. Available in two colours as well as horizontal and vertical designs.

FEATURES

- Excellent heat conductivity and lightweight
 - Only requires a low water volume
 - Heats up very quickly
 - Radiators come with cover caps on top and bottom, same as radiator colour
 - Tested to BS EN 442 standards
 - 5 Year Manufacturer's Warranty*
 - Can be single or dual fuel, or all electric
- * With conditions

For element types see pages 718-729.

Element can only be installed vertically on the right-hand side on the bottom header. Radiators that are electric only are restricted to the heat output of the elements. Element size can be increased to full capacity of rail if using element type F or G. For dual fuel installations, element must be installed on flow side.



Round Vent Caps
Page 741



Multi-Purpose Towel Hangers
Page 740



Warranty

5
Year

Heating



All Electric



Dual-Fuel



Technical Tables
& Drawings
Page 796-797



Aluminium Range

BURFORD VERTICAL

Pictured 89.0243 Matt Anthracite with 89.0891L Multi-Purpose Towel Hanger

Burford Vertical Aluminium Radiators - Matt White

Size H x W	Watts	BTU	Element Output	Element Type	Code	£ Ex VAT	£ Inc VAT
1800 x 275mm	972	3317	600W	A, A+, F, G	89.0234	413.00	495.60
1800 x 345mm	1209	4126	750W	A, A+, F, G	89.0235	494.00	592.80
1800 x 415mm	1443	4924	900W	A, A+, F, G	89.0236	588.00	705.60
1800 x 485mm	1676	5719	1000W	A, A+, F, G	89.0237	677.00	812.40

Burford Vertical Aluminium Radiators - Matt Anthracite

Size H x W	Watts	BTU	Element Output	Element Type	Code	£ Ex VAT	£ Inc VAT
1800 x 275mm	972	3317	600W	A, A+, F, G	89.0243	413.00	495.60
1800 x 345mm	1209	4126	750W	A, A+, F, G	89.0244	494.00	592.80
1800 x 415mm	1443	4924	900W	A, A+, F, G	89.0245	588.00	705.60
1800 x 485mm	1676	5719	1000W	A, A+, F, G	89.0246	677.00	812.40

Prices include radiator and wall fixing sets, valves and accessories extra.

TECHNICAL INFORMATION

All measurements in Height by Width. Heat output based on $\Delta T60^{\circ}\text{C}$. For matching valves see pages 731-737. Corrosion inhibitor must be added to the heating system and maintained. Flow diverter must only be fitted when radiator installed on central heating system. For indirect heating systems only. Tappings are the width of the rail and 33 or 53mm off the wall.



Burford Cover Caps - Chrome

Description	Code	£ Ex VAT	£ Inc VAT
Cover Cap 275mm	89.0403	21.00	25.20
Cover Cap 345mm	89.0404	24.00	28.80
Cover Cap 415mm	89.0405	28.00	33.60
Cover Cap 485mm	89.0406	30.00	36.00

Cover cap set only includes cover caps for the top or bottom of the radiator.

BURFORD STANDARD TOWEL HANGERS



Towel Hanger - Matt White

Size	Code	£ Ex VAT	£ Inc VAT
275mm	89.0330	51.00	61.20
345mm	89.0331	53.00	63.60
415mm	89.0332	60.00	72.00
485mm	89.0333	69.00	82.80



Towel Hanger - Matt Anthracite

Size	Code	£ Ex VAT	£ Inc VAT
275mm	89.0335	51.00	61.20
345mm	89.0336	53.00	63.60
415mm	89.0337	60.00	72.00
485mm	89.0338	69.00	82.80



Towel Hanger - Chrome

Size	Code	£ Ex VAT	£ Inc VAT
275mm	89.0340	51.00	61.20
345mm	89.0341	53.00	63.60
415mm	89.0342	60.00	72.00
485mm	89.0343	69.00	82.80

1800mm height radiators come with 3 pre-drilled towel hanger locations, with a maximum of 3 towel hangers. (all widths; 275, 345, 415 and 485mm)

The Standard Towel Hangers are compatible with the Vertical radiators. (Depending on the radiators and hangers width)

Can be fitted after installation only on high adjustment bracket fitting.

The Burford Standard Towel Hangers will add approx 50mm width on each side once fitted to the radiator.



Aluminium Range

BURFORD HORIZONTAL

Warranty

5
Year

Heating



All Electric



Dual-Fuel



Pictured 89.0230 Matt White with 89.0344 Towel Hanger

This modern radiator has a curved front design that will provide a stylish warmth to any room. Available in two colours as well as horizontal and vertical designs.

Burford Horizontal Aluminium Radiators - Matt White

Size H x W	Watts	BTU	Element Output	Element Type	Code	£ Ex VAT	£ Inc VAT
600 x 485mm	606	2068	300W	A, A+, C, H	89.0229	351.00	421.20
600 x 625mm	772	2635	450W	A, A+, C, H	89.0230	438.00	525.60
600 x 835mm	1020	3481	600W	A, A+, C, H	89.0231	580.00	696.00
600 x 1045mm	1265	4317	750W	A, A+, C, H	89.0232	714.00	856.80
600 x 1185mm	1427	4869	900W	A, A+, C, H	89.0233	800.00	960.00

Burford Horizontal Aluminium Radiators - Matt Anthracite

Size H x W	Watts	BTU	Element Output	Element Type	Code	£ Ex VAT	£ Inc VAT
600 x 485mm	606	2068	300W	A, A+, C, H	89.0238	351.00	421.20
600 x 625mm	772	2635	450W	A, A+, C, H	89.0239	438.00	525.60
600 x 835mm	1020	3481	600W	A, A+, C, H	89.0240	580.00	696.00
600 x 1045mm	1265	4317	750W	A, A+, C, H	89.0241	714.00	856.80
600 x 1185mm	1427	4869	900W	A, A+, C, H	89.0242	800.00	960.00

Prices include radiator and wall fixing sets, valves and accessories extra.

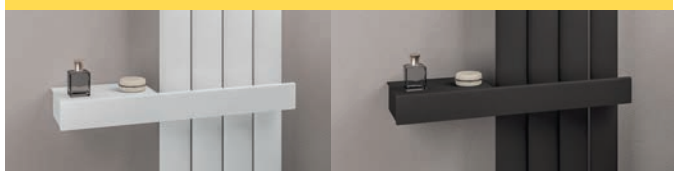
FEATURES

- Excellent heat conductivity and lightweight
 - Only requires a low water volume
 - Heats up very quickly
 - Radiators come with cover caps on top and bottom, same as radiator colour
 - Tested to BS EN 442 standards
 - 5 Year Manufacturer's Warranty*
 - Can be single or dual fuel, or all electric
- * With conditions

**Technical Tables
& Drawings**
Page 796-797



Multi-Purpose Towel Hangers Page 740



Aluminium Range

BURFORD HORIZONTAL



Pictured 89.0241 Matt Anthracite

BURFORD STANDARD TOWEL HANGERS

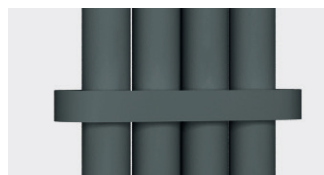


Towel Hanger - Matt White

Size	Code	£ Ex VAT	£ Inc VAT
485mm*	89.0333	69.00	82.80
625mm**	89.0334	79.00	94.80

Suitable 485mm width radiators only*

Suitable 625mm width radiators only**



Towel Hanger - Matt Anthracite

Size	Code	£ Ex VAT	£ Inc VAT
485mm*	89.0338	69.00	82.80
625mm**	89.0339	79.00	94.80

Suitable 485mm width radiators only*

Suitable 625mm width radiators only**



Towel Hanger - Chrome

Size	Code	£ Ex VAT	£ Inc VAT
485mm*	89.0343	69.00	82.80
625mm**	89.0344	79.00	94.80

Suitable 485mm width radiators only*

Suitable 625mm width radiators only**

600mm height radiators come with 1 pre-drilled towel hanger location, with a maximum of 1 towel hanger. (only 485 and 625mm widths)

The Standard Towel Hangers are compatible with the Horizontal radiators. (Depending on the radiators and hangers width)

Can be fitted after installation only on high adjustment bracket fitting.

The Burford Standard Towel Hangers will add approx 50mm width on each side once fitted to the radiator.



Burford Cover Caps - Chrome

Description	Code	£ Ex VAT	£ Inc VAT
Cover Cap 485mm	89.0406	30.00	36.00
Cover Cap 625mm	89.0407	33.00	39.60
Cover Cap 835mm	89.0408	42.00	50.40
Cover Cap 1045mm	89.0409	49.00	58.80
Cover Cap 1185mm	89.0410	53.00	63.60

Cover cap set only includes cover caps for the top or bottom of the radiator.

For element types see pages 718-729.

Element can only be installed horizontally on the bottom header. Radiators that are electric only are restricted to the heat output of the elements (Type C up to 900 watts).



Round Vent Caps

Page 741



TECHNICAL INFORMATION

All measurements in Height by Width. Heat output based on $\Delta T60^{\circ}\text{C}$. For matching valves see pages 731-737. Corrosion inhibitor must be added to the heating system and maintained. Flow diverter must only be fitted when radiator installed on central heating system. For indirect heating systems only. Tappings are the width of the rail and 33 or 53mm off the wall.

Aluminium Range

KELMSCOTT VERTICAL

Pictured 89.0255 Matt White with 89.0358 Towel Hangers



This slimline radiator would be an ideal solution for those tight or tall spaces. This design has a curved front that will provide a stylish warmth to any room. Available in two colours as well as horizontal and vertical designs.

FEATURES

- Excellent heat conductivity and lightweight
- Only requires a low water volume
- Heats up very quickly
- Radiators come with cover caps on top and bottom, same as radiator colour
- Tested to BS EN 442 standards
- 5 Year Manufacturer's Warranty*
- Can be single or dual fuel, or all electric

* With conditions

For element types see pages 718-729.

Element can only be installed vertically on the right-hand side on the bottom header. Radiators that are electric only are restricted to the heat output of the elements. Element size can be increased to full capacity of rail if using element type F or G. For dual fuel installations, element must be installed on flow side.



Round Vent Caps

Page 741



Multi-Purpose Towel Hangers

Page 740



Warranty

5
Year

Heating



All Electric



Dual-Fuel



Technical Tables
& Drawings
Page 796-797



Aluminium Range

KELMSCOTT VERTICAL

Pictured 89.0262 Matt Anthracite with 89.0351 Towel Hangers

Kelmscott Vertical Aluminium Radiators - Matt White

Size H x W	Watts	BTU	Element Output	Element Type	Code	£ Ex VAT	£ Inc VAT
1800 x 275mm	957	3266	600W	A, A+, F, G	89.0252	395.00	474.00
1800 x 345mm	1195	4078	750W	A, A+, F, G	89.0253	476.00	571.20
1800 x 415mm	1431	4883	900W	A, A+, F, G	89.0254	563.00	675.60
1800 x 485mm	1666	5685	1000W	A, A+, F, G	89.0255	649.00	778.80

Kelmscott Vertical Aluminium Radiators - Matt Anthracite

Size H x W	Watts	BTU	Element Output	Element Type	Code	£ Ex VAT	£ Inc VAT
1800 x 275mm	957	3266	600W	A, A+, F, G	89.0261	395.00	474.00
1800 x 345mm	1195	4078	750W	A, A+, F, G	89.0262	476.00	571.20
1800 x 415mm	1431	4883	900W	A, A+, F, G	89.0263	563.00	675.60
1800 x 485mm	1666	5685	1000W	A, A+, F, G	89.0264	649.00	778.80

Prices include radiator and wall fixing sets, valves and accessories extra.

TECHNICAL INFORMATION

All measurements in Height by Width. Heat output based on $\Delta T_{60}^{\circ}\text{C}$. For matching valves see pages 731-737. Corrosion inhibitor must be added to the heating system and maintained. Flow diverter must only be fitted when radiator installed on central heating system. For indirect heating systems only. Tappings are the width of the rail and 33 or 53mm off the wall.



Kelmscott Cover Cap Set - Chrome

Description	Code	£ Ex VAT	£ Inc VAT
Cover Cap 275mm	89.0411	20.00	24.00
Cover Cap 345mm	89.0412	22.00	26.40
Cover Cap 415mm	89.0413	24.00	28.80
Cover Cap 485mm	89.0414	28.00	33.60

Cover cap set only includes cover caps for the top or bottom of the radiator.

KELMSCOTT STANDARD TOWEL HANGERS



Towel Hanger - Matt White

Size	Code	£ Ex VAT	£ Inc VAT
275mm	89.0345	49.00	58.80
345mm	89.0346	50.00	60.00
415mm	89.0347	53.00	63.60
485mm	89.0348	65.00	78.00



Towel Hanger - Matt Anthracite

Size	Code	£ Ex VAT	£ Inc VAT
275mm	89.0350	49.00	58.80
345mm	89.0351	50.00	60.00
415mm	89.0352	53.00	63.60
485mm	89.0353	65.00	78.00



Towel Hanger - Chrome

Size	Code	£ Ex VAT	£ Inc VAT
275mm	89.0355	49.00	58.80
345mm	89.0356	50.00	60.00
415mm	89.0357	53.00	63.60
485mm	89.0358	65.00	78.00

1800mm height radiators come with 3 pre-drilled towel hanger locations, with a maximum of 3 towel hangers. (all widths; 275, 345, 415 and 485mm)

The Standard Towel Hangers are only compatible with the Vertical radiators. (Depending on the radiators and hangers width)

Can be fitted after installation only on high adjustment bracket fitting.

The Kelmscott Standard Towel Hangers will add approx 43mm width on each side once fitted to the radiator.



Aluminium Range

KELMSCOTT HORIZONTAL

Pictured 89.0257 Matt Anthracite with 89.0415 x 2 Cover Caps



Warranty

5

Year

Heating

All Electric

Dual-Fuel

This modern radiator has a curved front design that will provide a stylish warmth to any room. Available in two colours as well as horizontal and vertical designs.

KelmScott Horizontal Aluminium Radiators - Matt White

Size H x W	Watts	BTU	Element Output	Element Type	Code	£ Ex VAT	£ Inc VAT
600 x 485mm	603	2058	300W	A, A+, C, H	89.0247	333.00	399.60
600 x 625mm	773	2638	450W	A, A+, C, H	89.0248	420.00	504.00
600 x 835mm	1025	3498	600W	A, A+, C, H	89.0249	555.00	666.00
600 x 1045mm	1277	4358	750W	A, A+, C, H	89.0250	687.00	824.40
600 x 1185mm	1444	4927	900W	A, A+, C, H	89.0251	768.00	921.60

KelmScott Horizontal Aluminium Radiators - Matt Anthracite

Size H x W	Watts	BTU	Element Output	Element Type	Code	£ Ex VAT	£ Inc VAT
600 x 485mm	603	2058	300W	A, A+, C, H	89.0256	333.00	399.60
600 x 625mm	773	2638	450W	A, A+, C, H	89.0257	420.00	504.00
600 x 835mm	1025	3498	600W	A, A+, C, H	89.0258	555.00	666.00
600 x 1045mm	1277	4358	750W	A, A+, C, H	89.0259	687.00	824.40
600 x 1185mm	1444	4927	900W	A, A+, C, H	89.0260	768.00	921.60

Prices include radiator and wall fixing sets, valves and accessories extra.

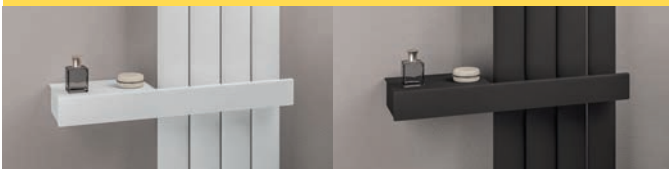
FEATURES

- Excellent heat conductivity and lightweight
 - Only requires a low water volume
 - Heats up very quickly
 - Radiators come with cover caps on top and bottom, same as radiator colour
 - Tested to BS EN 442 standards
 - 5 Year Manufacturer's Warranty*
 - Can be single or dual fuel, or all electric
- * With conditions

Technical Tables & Drawings
Page 798-799

Multi-Purpose Towel Hangers

Page 740



Aluminium Range

KELMSCOTT HORIZONTAL



Pictured 89.0250 Matt White

KELMSCOTT STANDARD TOWEL HANGERS



Towel Hanger - Matt White

Size	Code	£ Ex VAT	£ Inc VAT
485mm*	89.0348	65.00	78.00
625mm**	89.0349	74.00	88.80

Suitable 485mm width radiators only*

Suitable 625mm width radiators only**



Towel Hanger - Matt Anthracite

Size	Code	£ Ex VAT	£ Inc VAT
485mm*	89.0353	65.00	78.00
625mm**	89.0354	74.00	88.80

Suitable 485mm width radiators only*

Suitable 625mm width radiators only**



Towel Hanger - Chrome

Size	Code	£ Ex VAT	£ Inc VAT
485mm*	89.0358	65.00	78.00
625mm**	89.0359	74.00	88.80

Suitable 485mm width radiators only*

Suitable 625mm width radiators only**

600mm height radiators come with 1 pre-drilled towel hanger location, with a maximum of 1 towel hanger. (only 485 and 625mm widths)

The Standard Towel Hangers are compatible with the Horizontal radiators. (Depending on the radiators and hangers width)

Can be fitted after installation only on high adjustment bracket fitting.

The Kelmscott Standard Towel Hangers will add approx 43mm width on each side once fitted to the radiator.



Kelmscott Cover Caps - Chrome

Description	Code	£ Ex VAT	£ Inc VAT
Cover Cap 485mm	89.0414	28.00	33.60
Cover Cap 625mm	89.0415	32.00	38.40
Cover Cap 835mm	89.0416	39.00	46.80
Cover Cap 1045mm	89.0417	44.00	52.80
Cover Cap 1185mm	89.0418	49.00	58.80

Cover cap set only includes cover caps for the top or bottom of the radiator.

For element types see pages 718-729.

Element can only be installed horizontally on the bottom header. Radiators that are electric only are restricted to the heat output of the elements (Type C up to 900 watts).



Round Vent Caps

Page 741

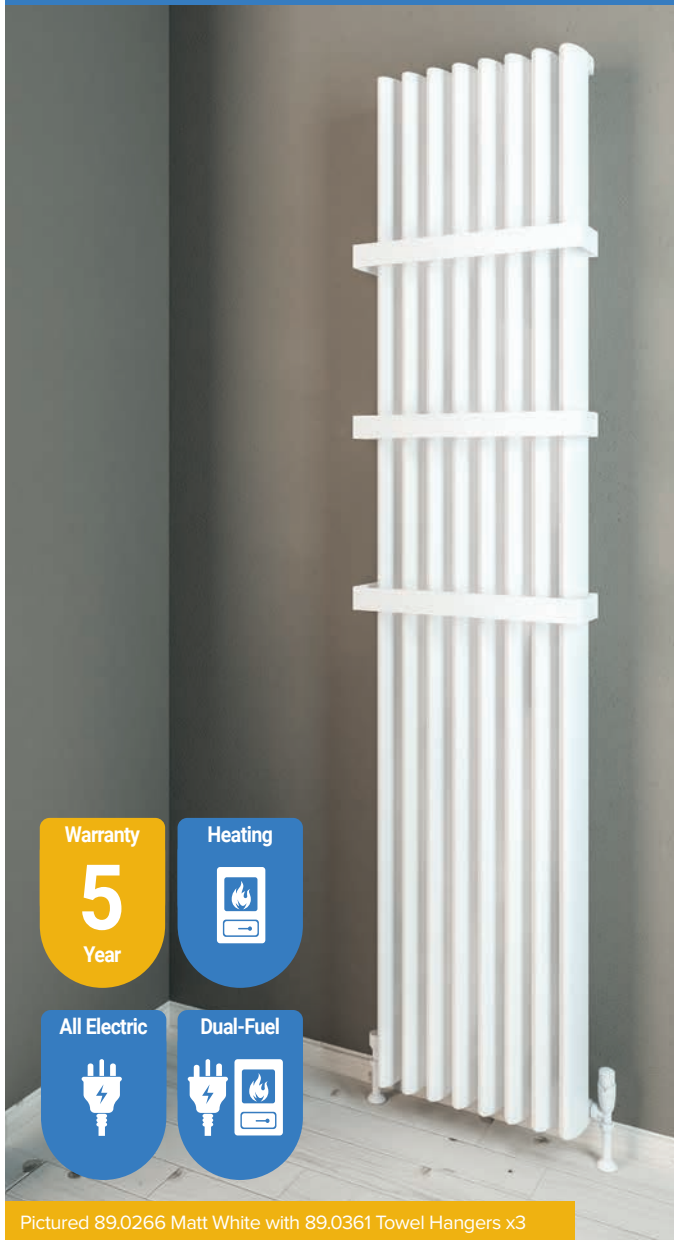


TECHNICAL INFORMATION

All measurements in Height by Width. Heat output based on $\Delta T60^{\circ}\text{C}$. For matching valves see pages 731-737. Corrosion inhibitor must be added to the heating system and maintained. Flow diverter must only be fitted when radiator installed on central heating system. For indirect heating systems only. Tappings are the width of the rail and 33 or 53mm off the wall.

Aluminium Range

WITNEY VERTICAL



Warranty
5
Year

Heating

All Electric

Dual-Fuel

Pictured 89.0266 Matt White with 89.0361 Towel Hangers x3

A high heat capacity vertical radiator ideal for those situations where space is at a minimum. Available in two finishes, three widths and one height.

Witney Vertical Aluminium Radiators - Matt White

Size H x W	Watts	BTU	Element Output	Element Type	Code	£ Ex VAT	£ Inc VAT
1800 x 280mm	1252	4272	750W	A, A+, F, G	89.0265	558.00	669.60
1800 x 375mm	1648	5623	1000W	A, A+, F, G	89.0266	735.00	882.00
1800 x 470mm	2039	6958	1200W	A, A+, F, G	89.0267	885.00	1062.00

Witney Vertical Aluminium Radiators - Matt Anthracite

Size H x W	Watts	BTU	Element Output	Element Type	Code	£ Ex VAT	£ Inc VAT
1800 x 280mm	1252	4272	750W	A, A+, F, G	89.0268	558.00	669.60
1800 x 375mm	1648	5623	1000W	A, A+, F, G	89.0269	735.00	882.00
1800 x 470mm	2039	6958	1200W	A, A+, F, G	89.0270	885.00	1062.00

Prices include radiator and wall fixing sets, valves and accessories extra.

FEATURES

- Excellent heat conductivity and lightweight
 - Only requires a low water volume
 - Heats up very quickly
 - Radiators come with cover caps on top and bottom, same as radiator colour
 - Tested to BS EN 442 standards
 - 5 Year Manufacturer's Warranty*
 - Can be single or dual fuel, or all electric
- * With conditions

Technical Tables & Drawings
Page 798-799



TECHNICAL INFORMATION

All measurements in Height by Width. Heat output based on $\Delta T60^{\circ}\text{C}$. For matching valves see pages 731-737. Corrosion inhibitor must be added to the heating system and maintained. Flow diverter must only be fitted when radiator installed on central heating system. For indirect heating systems only. Tappings are the width of the rail and 33 or 53mm off the wall.



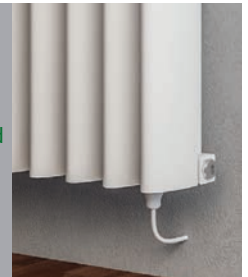
Witney Cover Cap Set - Chrome

Description	Code	£ Ex VAT	£ Inc VAT
Cover Cap 280mm	89.0419	30.00	36.00
Cover Cap 375mm	89.0420	36.00	43.20
Cover Cap 470mm	89.0421	43.00	51.60

Cover cap set only includes cover caps for the top or bottom of the radiator.

For element types see pages 718-729.

Element can only be installed vertically on the right-hand side on the bottom header. Radiators that are electric only are restricted to the heat output of the elements. Element size can be increased to full capacity of rail if using element type F or G. For dual fuel installations, element must be installed on flow side.



WITNEY STANDARD TOWEL HANGERS



Towel Hanger - Matt White

Size	Code	£ Ex VAT	£ Inc VAT
280mm	89.0360	59.00	70.80
375mm	89.0361	62.00	74.40
470mm	89.0362	70.00	84.00



Towel Hanger - Matt Anthracite

Size	Code	£ Ex VAT	£ Inc VAT
280mm	89.0363	59.00	70.80
375mm	89.0364	62.00	74.40
470mm	89.0365	70.00	84.00



Towel Hanger - Chrome

Size	Code	£ Ex VAT	£ Inc VAT
280mm	89.0366	59.00	70.80
375mm	89.0367	62.00	74.40
470mm	89.0368	70.00	84.00

1800mm height radiators come with 3 pre-drilled towel hanger locations, with a maximum of 3 towel hangers. (all widths; 280, 375 and 470mm)

Can be fitted after installation only on high adjustment bracket fitting.

The Witney Towel Hangers will add approx 8mm width on each side once fitted to the radiator.

Radiator Valves

Page 731-737



Aluminium Range

WITNEY HORIZONTAL



Pictured 89.0943 Matt White



Pictured 89.0978 Matt Anthracite

A high heat capacity horizontal radiator that will provide a stylish warmth to any room. Available in two finishes and five widths.

Witney Horizontal Aluminium Radiators - Matt White

Size H x W	Watts	BTU	Element Output	Element Type	Code	£ Ex VAT	£ Inc VAT
600 x 470mm	823	2809	300W	A, A+, C, H	89.0941	497.00	596.40
600 x 660mm	1132	3863	600W	A, A+, C, H	89.0942	688.00	825.60
600 x 850mm	1437	4904	900W	A, A+, C, H	89.0943	876.00	1051.20
600 x 1040mm	1737	5927	1000W	A, A+, C, H	89.0944	1062.00	1274.40
600 x 1230mm	2034	6941	1200W	A, A+, C, H	89.0945	1242.00	1490.40

Witney Horizontal Aluminium Radiators - Matt Anthracite

Size H x W	Watts	BTU	Element Output	Element Type	Code	£ Ex VAT	£ Inc VAT
600 x 470mm	823	2809	300W	A, A+, C, H	89.0974	497.00	596.40
600 x 660mm	1132	3863	600W	A, A+, C, H	89.0975	688.00	825.60
600 x 850mm	1437	4904	900W	A, A+, C, H	89.0976	876.00	1051.20
600 x 1040mm	1737	5927	1000W	A, A+, C, H	89.0977	1062.00	1274.40
600 x 1230mm	2034	6941	1200W	A, A+, C, H	89.0978	1242.00	1490.40

Prices include radiator and wall fixing sets, valves and accessories extra.

FEATURES

- Excellent heat conductivity and lightweight
- Only requires a low water volume
- Heats up very quickly
- Radiators come with cover caps on top and bottom, same as radiator colour
- Tested to BS EN 442 standards
- 5 Year Manufacturer's Warranty*
- Can be single or dual fuel, or all electric
- * With conditions

Technical Tables
& Drawings
Page 798-799



Witney Cover Cap Set - Chrome

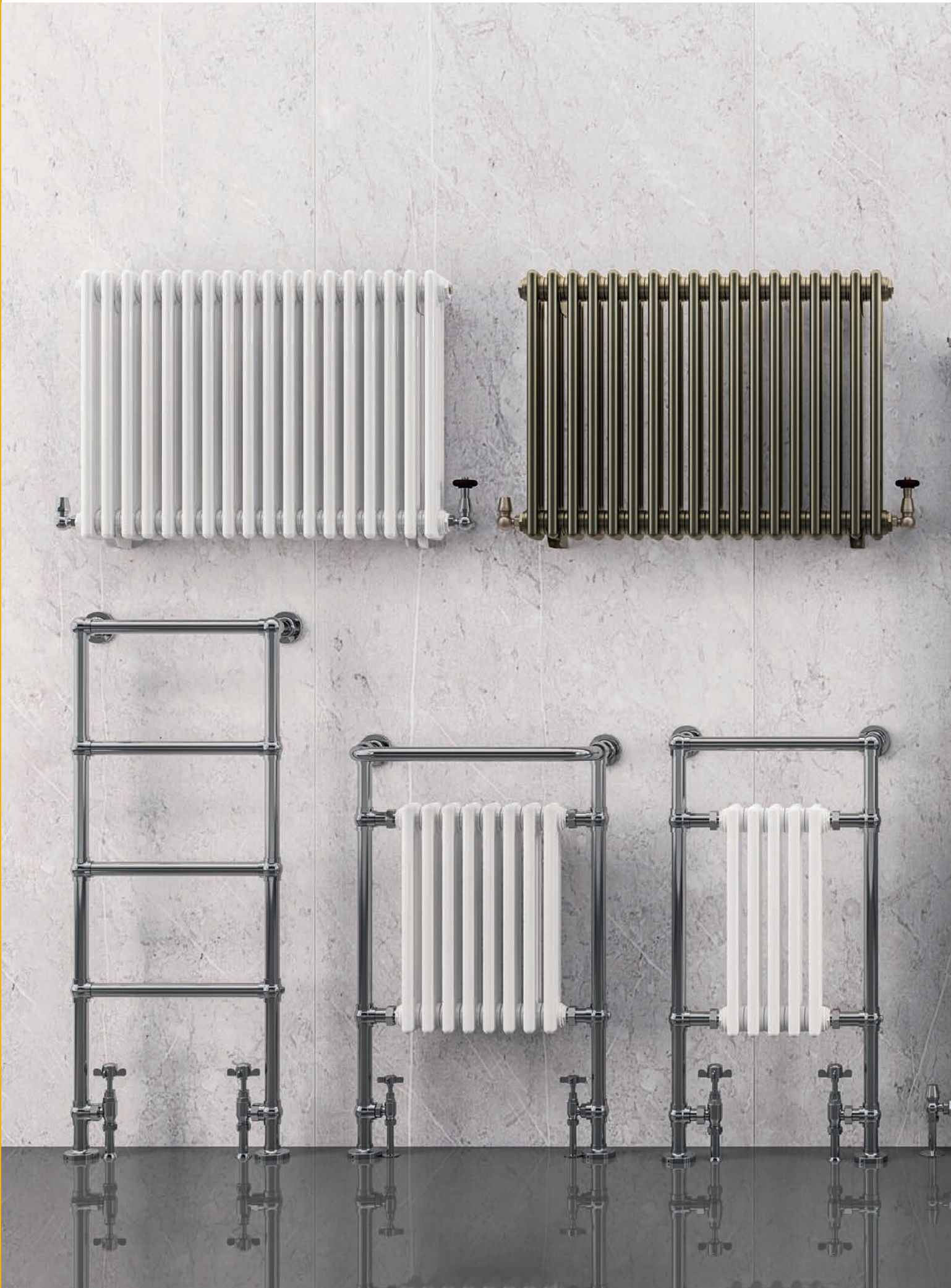
Description	Code	£ Ex VAT	£ Inc VAT
Cover Cap 470mm	89.0421	43.00	51.60
Cover Cap 660mm	89.1407	57.00	68.40
Cover Cap 850mm	89.1408	70.00	84.00
Cover Cap 1040mm	89.1409	86.00	103.20
Cover Cap 1230mm	89.1410	102.00	122.40

Cover cap set only includes cover caps for the top or bottom of the radiator.

For element types
see pages 718-729.

Element can only be installed horizontally on the bottom header. Radiators that are electric only are restricted to the heat output of the elements (Type C up to 900 watts).





Traditional Range

Our traditional range of radiators offer character and flair to ensure they fit in with your classic designs. Most of these radiators can be powered via dual fuel, single fuel and / or all electric.

Contents

Windrush, Chrome	690
Stour, Available in 5 colours - NEW COLOURS	691-693
Painswick, Chrome	694
Frome, Chrome	694
Sherbourne, Chrome	695
Avon, Available in 3 colours - NEW COLOURS & NEW SIZES	696
Isbourne, Available in 3 colours - NEW COLOUR	697
Imperia 2 Column, Available in 3 colours - NEW COLOUR & NEW SIZES	698-700
Imperia 3 Column, Available in 3 colours - NEW COLOUR & NEW SIZES	701-703
Rivassa 2 Column, Available in 5 colours - NEW COLOUR	704-707
Rivassa 3 Column, Available in 5 colours - NEW COLOUR	708-711
Rivassa 4 Column, Available in 3 colours - NEW COLOUR	712-713
Leadon, Chrome / Gloss White	714
Thames, Chrome / Gloss White	714
Coln, Chrome / Gloss White	715
Twyver, Chrome / Gloss White	715



Traditional Range

WINDRUSH

Pictured 41.1009 Chrome

Warranty

5
Year

Heating



All Electric



Dual-Fuel


**Technical Tables
& Drawings**

Page 798-799



Our traditional range of radiators offer character and flair to ensure they fit in with your classic designs. The Windrush is a simple, traditional design that will add a vintage feel to your bathroom.

Windrush - Chrome

Size H x W x D	Watts	BTU	Element Output	Element Type	Code	£ Ex VAT	£ Inc VAT
950 x 500 x 130mm	147	502	100W	A, A+	41.1009	307.00	368.40
950 x 600 x 130mm	163	556	100W	A, A+	41.1003	328.00	393.60
1195 x 500 x 130mm	236	805	150W	A, A+, E	41.1014	332.00	398.40
1195 x 600 x 130mm	258	880	150W	A, A+, E	41.1015	351.00	421.20
1550 x 500 x 130mm	290	989	150W	A, A+, E	41.1016	402.00	482.40
1550 x 600 x 130mm	322	1099	150W	A, A+, E	41.1017	420.00	504.00

FEATURES

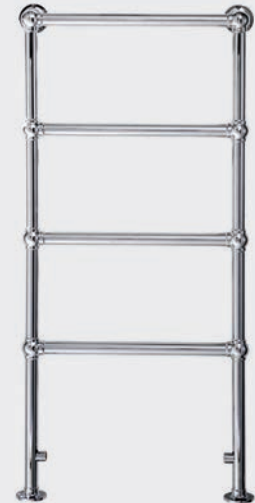
- Can be single, dual fuel or all electric
- Tested to BS EN 442 standards
- 5 Year Manufacturer's Warranty*

* With conditions

Pictured 41.1016 Chrome



Pictured 41.1014 Chrome



TECHNICAL INFORMATION

All measurements in Height by Width. Heat output based on $\Delta T60^{\circ}\text{C}$. Radiators that are electric only are restricted to the heat output of the elements. Element size can be increased to full capacity of rail if using element type E. For element types see pages 718-729. For matching valves see pages 731-737. For indirect heating systems only. Tappings are approx. 130mm less than the width of the rail (144mm for 41.1009) and approx. 105mm off the wall. Price includes radiator and wall fixing sets, valves extra.

Traditional Range

STOUR

Including new colours

Pictured 41.1018 Chrome

Warranty

5

Year

Heating



All Electric



Dual-Fuel



Technical Tables
& Drawings
Page 798-799



Our traditional range of radiators offer character and flair to ensure they fit in with your classic designs. The Stour in chrome finish offers a Victorian feel to complement a traditional bathroom.

FEATURES

- Can be single, dual fuel or all electric
- Tested to BS EN 442 standards
- 5 Year Manufacturer's Warranty*

* With conditions

Stour - Chrome

Size H x W	Watts	BTU	Element Output	Element Type	Code	£ Ex VAT	£ Inc VAT
690 x 500mm	125	428	150W	E	41.1010	230.00	276.00
690 x 600mm	177	604	100W	A, A+, E	41.1005	252.00	302.40
1195 x 500mm	209	714	100W	A, A+, E	41.1018	363.00	435.60
1195 x 600mm	232	791	150W	A, A+, E	41.1019	381.00	457.20
1550 x 500mm	260	888	150W	A, A+, E	41.1020	428.00	513.60
1550 x 600mm	287	980	150W	A, A+, E	41.1021	456.00	547.20

TECHNICAL INFORMATION

All measurements in Height by Width. Heat output based on $\Delta T60^{\circ}\text{C}$. Radiators that are electric only are restricted to the heat output of the elements. Element size can be increased to full capacity of rail if using element type E. For element types see pages 718-729. For matching valves see pages 731-737. For indirect heating systems only. Tappings are approx. 74mm less than the width of the rail and approx. 53mm off the wall. Price includes radiator and wall fixing sets, valves extra.

Pictured 41.1020 Chrome



Pictured 41.1018 Chrome



Pictured 41.1010 Chrome



Traditional Range

STOUR

Including new colours



Brushed Brass colour shown in images are subject to the limitations of the printing process and may appear different.

Pictured 41.0380 Brushed Brass



Technical Tables & Drawings
Page 798-799

Pictured 41.0435 Matt White

Our traditional range of radiators offer character and flair to ensure they fit in with your classic designs. The Stour in new colours, brushed brass and matt white offers a Victorian feel to complement a traditional bathroom.

Stour - Brushed Brass						New Colour		
Size H x W	Watts	BTU	Element Output	Element Type	Code	£ Ex VAT	£ Inc VAT	
690 x 500mm*	125	428	150W	E	41.0377	355.00	426.00	
690 x 600mm*	177	604	100W	A, A+, E	41.0378	383.00	459.60	
1195 x 500mm*	209	714	100W	A, A+, E	41.0379	565.00	678.00	
1195 x 600mm*	232	791	150W	A, A+, E	41.0380	596.00	715.20	
1550 x 500mm*	260	888	150W	A, A+, E	41.0381	696.00	835.20	
1550 x 600mm*	287	980	150W	A, A+, E	41.0382	744.00	892.80	

*Available February 2023

FEATURES

- Can be single, dual fuel or all electric
- Tested to BS EN 442 standards
- 5 Year Manufacturer's Warranty*
- * With conditions

Stour - Matt White						New Colour		
Size H x W	Watts	BTU	Element Output	Element Type	Code	£ Ex VAT	£ Inc VAT	
690 x 500mm*	221	753	100W	A, A+, E	41.0431	197.00	236.40	
690 x 600mm*	240	820	100W	A, A+, E	41.0432	211.00	253.20	
1195 x 500mm*	287	979	100W	A, A+, E	41.0433	316.00	379.20	
1195 x 600mm*	386	1318	150W	A, A+, E	41.0434	337.00	404.40	
1550 x 500mm*	366	1248	150W	A, A+, E	41.0435	346.00	415.20	
1550 x 600mm*	398	1359	150W	A, A+, E	41.0436	376.00	451.20	

*Available February 2023

TECHNICAL INFORMATION

All measurements in Height by Width. Heat output based on $\Delta T60^{\circ}\text{C}$. Radiators that are electric only are restricted to the heat output of the elements. Element size can be increased to full capacity of rail if using element type E. For element types see pages 718-729. For matching valves see pages 731-737. For indirect heating systems only. Tappings are approx. 74mm less than the width of the rail and approx. 53mm off the wall. Price includes radiator and wall fixing sets, valves extra.

Warranty

5 Year

Heating

All Electric

Dual-Fuel

Traditional Range

Including new colours

STOUR



Pictured 41.0437 Matt Anthracite

Our traditional range of radiators offer character and flair to ensure they fit in with your classic designs. The Stour in new colours, matt anthracite and matt black offers a Victorian feel to complement a traditional bathroom.

Stour - Matt Anthracite						New Colour	
Size H x W	Watts	BTU	Element Output	Element Type	Code	£ Ex VAT	£ Inc VAT
690 x 500mm*	221	753	100W	A, A+, E	41.0437	197.00	236.40
690 x 600mm*	240	820	100W	A, A+, E	41.0438	211.00	253.20
1195 x 500mm*	287	979	100W	A, A+, E	41.0439	316.00	379.20
1195 x 600mm*	386	1318	150W	A, A+, E	41.0440	337.00	404.40
1550 x 500mm*	366	1248	150W	A, A+, E	41.0441	346.00	415.20
1550 x 600mm*	398	1359	150W	A, A+, E	41.0442	376.00	451.20

*Available February 2023

TECHNICAL INFORMATION

All measurements in Height by Width. Heat output based on $\Delta T60^{\circ}\text{C}$. Radiators that are electric only are restricted to the heat output of the elements. Element size can be increased to full capacity of rail if using element type E. For element types see pages 718-729. For matching valves see pages 731-737. For indirect heating systems only. Tappings are approx. 74mm less than the width of the rail and approx. 53mm off the wall. Price includes radiator and wall fixing sets, valves extra.



Pictured 41.0445 Matt Black

Technical Tables
& Drawings
Page 798-799

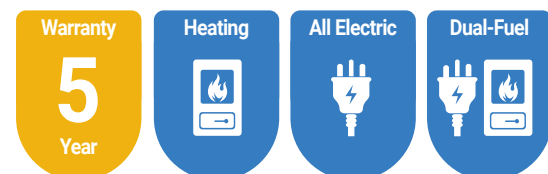


FEATURES

- Can be single, dual fuel or all electric
- Tested to BS EN 442 standards
- 5 Year Manufacturer's Warranty*
- * With conditions

Stour - Matt Black						New Colour	
Size H x W	Watts	BTU	Element Output	Element Type	Code	£ Ex VAT	£ Inc VAT
690 x 500mm*	221	753	100W	A, A+, E	41.0443	197.00	236.40
690 x 600mm*	240	820	100W	A, A+, E	41.0444	211.00	253.20
1195 x 500mm*	287	979	100W	A, A+, E	41.0445	316.00	379.20
1195 x 600mm*	386	1318	150W	A, A+, E	41.0446	337.00	404.40
1550 x 500mm*	366	1248	150W	A, A+, E	41.0447	346.00	415.20
1550 x 600mm*	398	1359	150W	A, A+, E	41.0448	376.00	451.20

*Available February 2023



Traditional Range



Our traditional range of radiators offer character and flair to ensure they fit in with your classic designs. The Painswick is a stunning classical radiator with elegant practical curves.

Painswick - Chrome							
Size H x W	Watts	BTU	Element Output	Element Type	Code	£ Ex VAT	£ Inc VAT
778 x 686mm	356	1215	N/A	N/A	41.1022	818.00	981.60

Tappings are approx. 130mm less than the width of the rail and approx. 105mm off the wall.

FEATURES

- Tested to BS EN 442 standards
- 5 Year Manufacturer's Warranty*
- Not suitable for elements
- * With conditions

Technical Tables & Drawings
Page 800-801



TECHNICAL INFORMATION

All measurements in Height by Width. Heat output based on $\Delta T60^{\circ}C$. For matching valves see pages 731-737. For indirect heating systems only. Tappings are approx. 130mm less than the width of the rail and approx. 100mm off the floor. Price includes radiator and wall fixing sets, valves extra.

5

Warranty

Heating



Pair of Radiator Valves & Tails		
Code	£ Ex VAT	£ Inc VAT
54.0001	51.00	61.20

Radiator valves sold separately



Our traditional range of radiators offer character and flair to ensure they fit in with your classic designs. These rails only be used on closed or indirect heating circuits, not on fresh water hot systems as they are of steel construction.

Frome - Chrome							
Size H x W	Watts	BTU	Element Output	Element Type	Code	£ Ex VAT	£ Inc VAT
940 x 474mm	314	1071	150W	A, A+, C, E, H	41.1013	420.00	504.00

Tappings are approx. 130mm less than the width of the rail and approx. 105mm off the wall.

FEATURES

- Tested to BS EN 442 standards.
- 5 Year Manufacturer's Warranty*
- Can be single or dual fuel, or all electric
- * With conditions

Technical Tables & Drawings
Page 800-801



TECHNICAL INFORMATION

All measurements in Height by Width. Heat output based on $\Delta T60^{\circ}C$. Radiators that are electric only are restricted to the heat output of the elements. Element size can be increased to full capacity of rail if using element type C, E or H. For element types see pages 718-729. For matching valves see pages 731-737. For indirect heating systems. Prices include radiator and wall fixings sets, valves extra.

5

Warranty

Heating



Pair of Radiator Valves & Tails		
Code	£ Ex VAT	£ Inc VAT
54.0001	51.00	61.20

Radiator valves sold separately

All Electric

Dual-Fuel

Traditional Range

SHERBOURNE

For element types see pages 718-729.



Our traditional range of radiators offer character and flair to ensure they fit in with your classic designs. These rails only be used on closed or indirect heating circuits, not on fresh water hot systems as they are of steel construction.

Sherbourne - Chrome							
Size H x W x D	Watts	BTU	Element Output	Element Type	Code	£ Ex VAT	£ Inc VAT
940 x 600 x 142mm	226	771	150W	A, A+, C, E, H	41.1001	398.00	477.60

Tappings are approx. 130mm less than the width of the rail and approx. 105mm off the wall.

FEATURES

- Tested to BS EN 442 standards.
- 5 Year Manufacturer's Warranty*
- Can be single or dual fuel, or all electric
- * With conditions

Technical Tables & Drawings
Page 800-801



TECHNICAL INFORMATION

All measurements in Height by Width. Heat output based on $\Delta T60^{\circ}C$. Radiators that are electric only are restricted to the heat output of the elements. Element size can be increased to full capacity of rail if using element type C, E or H. For element types see pages 718-729. For matching valves see pages 731-737. For indirect heating systems. Prices include radiator and wall fixings sets, valves extra.

Warranty

5

Year

Heating

All Electric

Dual-Fuel

Pair of Radiator Valves & Tails		
Code	£ Ex VAT	£ Inc VAT
54.0001	51.00	61.20

Radiator valves sold separately

CLEARANCE ITEM AMPNEY

For element types see pages 718-729.



Our traditional range of radiators offer character and flair to ensure they fit in with your classic designs. These rails only be used on closed or indirect heating circuits, not on fresh water hot systems as they are of steel construction.

Ampney - Chrome								CLEARANCE ITEM		
Size H x W	Watts	BTU	Element Output	Element Type	Code	£ Ex VAT	£ Inc VAT	£ Ex VAT	£ Inc VAT	
940 x 674mm*	423	1443	150W	A, A+, C, E, H	41.1012	344.80	413.76			

Tappings are approx. 130mm less than the width of the rail and approx. 105mm off the wall.

FEATURES

- Tested to BS EN 442 standards.
- 5 Year Manufacturer's Warranty*
- Can be single or dual fuel, or all electric
- * With conditions

TECHNICAL INFORMATION

All measurements in Height by Width. Heat output based on $\Delta T60^{\circ}C$. Radiators that are electric only are restricted to the heat output of the elements. Element size can be increased to full capacity of rail if using element type C, E or H. For element types see pages 718-729. For matching valves see pages 731-737. For indirect heating systems. Prices include radiator and wall fixings sets, valves extra.

Warranty

5

Year

Heating

All Electric

Dual-Fuel

Pair of Radiator Valves & Tails		
Code	£ Ex VAT	£ Inc VAT
54.0001	51.00	61.20

Radiator valves sold separately

Traditional Range

AVON

Including new size & new colours

For element types
see pages 718-729.



Pictured 41.1006 Chrome / Gloss White



Pictured 41.1028 Chrome / Matt Anthracite



Pictured 41.1026 Chrome / Matt Black

Our traditional range of radiators offer character and flair to ensure they fit in with your classic designs. These rails only be used on closed or indirect heating circuits, not on fresh water hot systems as they are of steel construction.

Avon - Chrome / Gloss White						New Size	
Size H x W x D	Watts	BTU	Element Output	Element Type	Code	£ Ex VAT	£ Inc VAT
960 x 429 x 185mm	450	1535	150W	A, A+, C, E, H	41.1027	366.00	439.20
960 x 500 x 185mm	530	1808	300W	A, A+, C, E, H	41.1006	388.00	465.60

Avon - Chrome / Matt Anthracite						New Colour	
Size H x W x D	Watts	BTU	Element Output	Element Type	Code	£ Ex VAT	£ Inc VAT
960 x 429 x 185mm	450	1535	150W	A, A+, C, E, H	41.1028	366.00	439.20
960 x 500 x 185mm	530	1808	300W	A, A+, C, E, H	41.1025	388.00	465.60

Avon - Chrome / Matt Black						New Colour	
Size H x W x D	Watts	BTU	Element Output	Element Type	Code	£ Ex VAT	£ Inc VAT
960 x 429 x 185mm	450	1535	150W	A, A+, C, E, H	41.1029	366.00	439.20
960 x 500 x 185mm	530	1808	300W	A, A+, C, E, H	41.1026	388.00	465.60

Tappings are approx. 130mm less than the width of the rail and approx. 135mm off the wall.

FEATURES

- Tested to BS EN 442 standards
- 5 Year Manufacturer's Warranty*
- Can be single or dual fuel, or all electric
- * With conditions

Technical Tables
& Drawings
Page 800-801



TECHNICAL INFORMATION

All measurements in Height by Width. Heat output based on $\Delta T60^{\circ}\text{C}$. Radiators that are electric only are restricted to the heat output of the elements. Element size can be increased to full capacity of rail if using element type C, E or H. For element types see pages 718-729. For matching valves see pages 731-737. For indirect heating systems. Prices include radiator and wall fixings sets, valves extra.

Warranty

5

Year

Heating



All Electric



Dual-Fuel



Pair of Radiator Valves & Tails

Code	£ Ex VAT	£ Inc VAT
54.0001	51.00	61.20

Radiator valves sold separately

COMPLETE THE LOOK

Angle TRV with Lockshield 15mm (pair) Chrome

Code	£ Ex VAT	£ Inc VAT
54.0008	85.00	102.00



Traditional Range

Including new colour

ISBOURNE

For element types see pages 718-729.



Pictured 41.1000 Chrome / Gloss White

For element types see pages 718-729.



Pictured 41.1023 Chrome / Matt Black

Our traditional range of radiators offer character and flair to ensure they fit in with your classic designs. These rails only be used on closed or indirect heating circuits, not on fresh water hot systems as they are of steel construction.

Isbourne - Chrome / Gloss White

Size H x W	Watts	BTU	Element Output	Element Type	Code	£ Ex VAT	£ Inc VAT
940 x 600 x 260mm	894	3050	450W	A, A+, C, H	41.1000	453.00	543.60

Isbourne - Chrome / Matt Anthracite

New Colour

Size H x W	Watts	BTU	Element Output	Element Type	Code	£ Ex VAT	£ Inc VAT
940 x 600 x 260mm	894	3050	450W	A, A+, C, H	41.1024	453.00	543.60

Isbourne - Chrome / Matt Black

Size H x W	Watts	BTU	Element Output	Element Type	Code	£ Ex VAT	£ Inc VAT
940 x 600 x 260mm	894	3050	450W	A, A+, C, H	41.1023	453.00	543.60

Tappings are approx. 130mm less than the width of the rail and approx. 121mm off the wall.

FEATURES

- Tested to BS EN 442 standards
 - 5 Year Manufacturer's Warranty*
 - Can be single or dual fuel, or all electric
- * With conditions

TECHNICAL INFORMATION

All measurements in Height by Width. Heat output based on $\Delta T60^{\circ}C$. Radiators that are electric only are restricted to the heat output of the elements. Element size can be increased to full capacity of rail if using element type C or H. For element types see pages 718-729. For matching valves see pages 731-737. For indirect heating systems. Prices include radiator and wall fixings sets, valves extra..

COMPLETE THE LOOK



Angle TRV with Lockshield 15mm (pair) Chrome

Code	£ Ex VAT	£ Inc VAT
54.0008	85.00	102.00

Traditional TRVs
Page 733



Warranty

5

Year

Heating

All Electric

Dual-Fuel

Technical Tables & Drawings
Page 800-801



Traditional Range

IMPERIA 2 COLUMN

Including new sizes



Pictured 41.0345 Matt Anthracite



Traditional TRVs
Page 733



Pictured 41.0342 Matt Anthracite with 41.0358 feet



Dual Fuel installation

Pictured 41.0339 Gloss White with 8.560 Type H Wi-Fi element, 54.0007 TRV, 8.901 T piece and 41.3003 elbow

A traditional rail which will give a Victorian touch of authenticity to any room but will also create an elegant look to a contemporary interior. This radiator boasts high outputs to ensure the whole room is warm. Comes with the option of traditional legs and in gloss white, matt anthracite or bare metal finishes. Also available in three columns.

FEATURES

- Tested to BS EN 442 standards
- 5 Year Manufacturer's Warranty*
- Matching colour wall fixing sets
- Radiator feet option available to get the classic look
- Material thickness 1.5mm
- Doesn't require flow diverter
- * With conditions

Technical Tables
& Drawings
Page 802-803



Warranty

5
Year

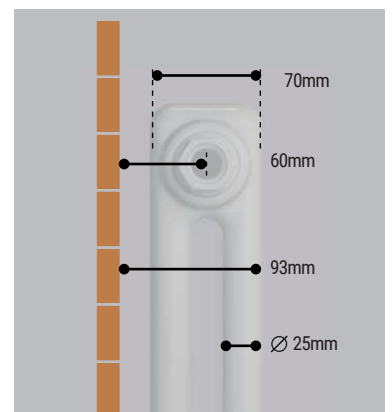
Heating



All Electric



Dual-Fuel



Traditional Range

Including new sizes

IMPERIA 2 COLUMN

Imperia Two Column Radiators - Gloss White						New Sizes	
Size H x W	Watts	BTU	Element Output	Element Type	Code	£ Ex VAT	£ Inc VAT
300 x 1145mm**	875	2985	450W	A, A+, C, E*, H	41.0383	274.00	328.80
300 x 1370mm**	1048	3573	450W	A, A+, C, E*, H	41.0384	323.00	387.60
600 x 425mm**	576	1965	300W	A, A+, C, H	41.0385	150.00	180.00
600 x 470mm**	639	2180	300W	A, A+, C, H	41.0386	163.00	195.60
600 x 515mm**	704	2402	300W	A, A+, C, H	41.0387	176.00	211.20
600 x 560mm**	767	2617	300W	A, A+, C, H	41.0388	190.00	228.00
600 x 605mm	826	2818	450W	A, A+, C, H	41.0339	224.00	268.80
600 x 830mm	1143	3900	600W	A, A+, C, E*, H	41.0338	295.00	354.00
600 x 1010mm**	1407	4800	750W	A, A+, C, H	41.0389	321.00	385.20
600 x 1145mm	1588	5418	900W	A, A+, H	41.0337	395.00	474.00
600 x 1460mm**	2046	6980	1000W	A+	41.0390	453.00	543.60
1800 x 290mm**	1078	3678	N/A	N/A	41.0391	216.00	259.20
1800 x 380mm	1190	4059	N/A	N/A	41.0341	281.00	337.20
1800 x 470mm	1487	5074	N/A	N/A	41.0340	339.00	406.80

*600w Type E Element can be fitted **Available February 2023

Imperia Two Column Radiators - Matt Anthracite						New Sizes	
Size H x W	Watts	BTU	Element Output	Element Type	Code	£ Ex VAT	£ Inc VAT
300 x 1145mm**	875	2985	450W	A, A+, C, E*, H	41.0392	274.00	328.80
300 x 1370mm**	1048	3573	450W	A, A+, C, E*, H	41.0393	323.00	387.60
600 x 425mm**	576	1965	300W	A, A+, C, H	41.0394	150.00	180.00
600 x 470mm**	639	2180	300W	A, A+, C, H	41.0395	163.00	195.60
600 x 515mm**	704	2402	300W	A, A+, C, H	41.0396	176.00	211.20
600 x 560mm**	767	2617	300W	A, A+, C, H	41.0397	190.00	228.00
600 x 605mm	826	2818	450W	A, A+, C, H	41.0344	224.00	268.80
600 x 830mm	1143	3900	600W	A, A+, C, E*, H	41.0343	295.00	354.00
600 x 1010mm**	1407	4800	750W	A, A+, C, H	41.0398	321.00	385.20
600 x 1145mm	1588	5418	900W	A, A+, H	41.0342	395.00	474.00
600 x 1460mm**	2046	6980	1000W	A+	41.0399	453.00	543.60
1800 x 290mm**	1078	3678	N/A	N/A	41.0400	216.00	259.20
1800 x 380mm	1190	4059	N/A	N/A	41.0346	281.00	337.20
1800 x 470mm	1487	5074	N/A	N/A	41.0345	339.00	406.80

*600w Type E Element can be fitted **Available February 2023

TECHNICAL INFORMATION

All measurements in Height by Width. Heat output based on $\Delta T60^{\circ}\text{C}$. Radiators that are electric only are restricted to the heat output of the elements. Element size can be increased to full capacity of rail if using element type C, E or H. For element types see pages 718-729. For matching valves see pages 731-737. For indirect heating systems. Tappings are the width of the rail and 60mm off the wall. Prices include radiator and wall fixings sets, valves extra.



Pictured 41.0392 Matt Anthracite with 41.0358 feet



Imperia Radiator Feet

Description	Code	£ Ex VAT	£ Inc VAT
Imperia 2 Column Radiator Feet (pair) Gloss White	41.0357	33.00	39.60
Imperia 2 Column Radiator Feet (pair) Matt Anthracite	41.0358	33.00	39.60



Pictured 41.0337 Gloss White with Type A+ Element

Imperia Towel Hangers

Page 738



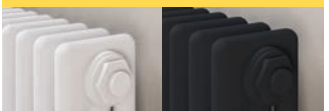
Robe Hooks

Page 738



Round Vent Caps

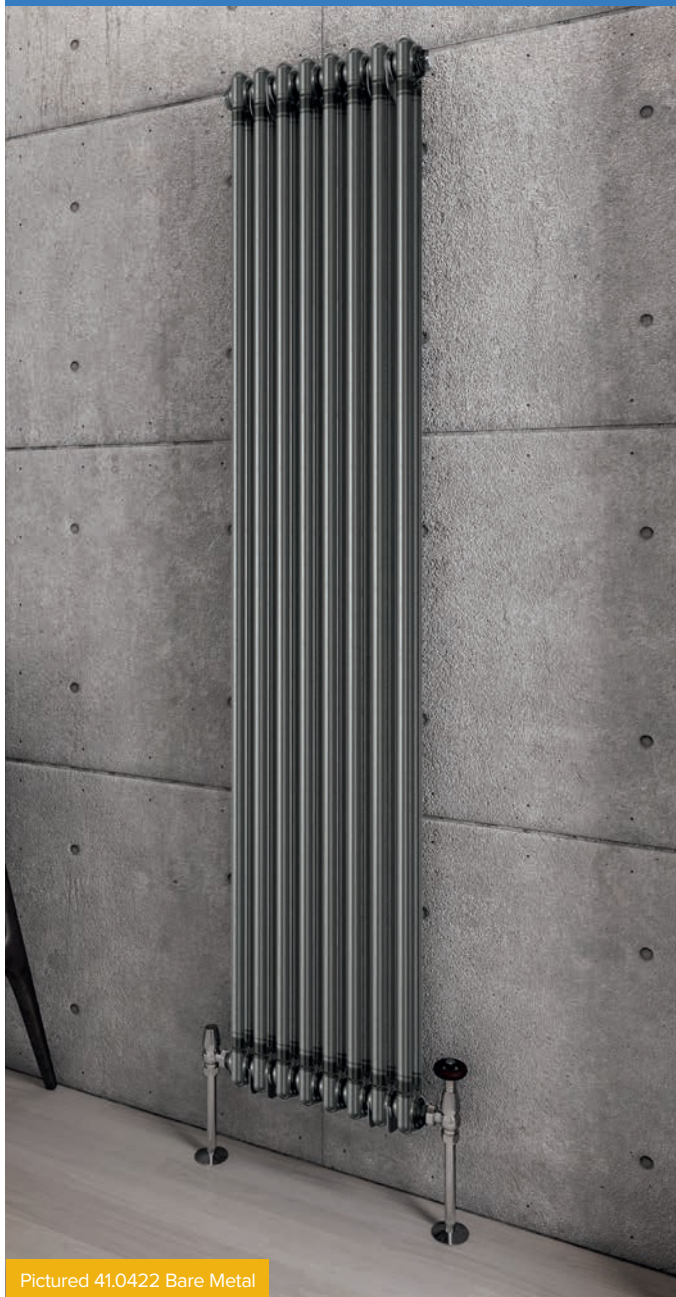
Page 741



Traditional Range

IMPERIA 2 COLUMN

Including new colour



Pictured 41.0422 Bare Metal

Imperia bare metal radiators are handfinished therefore each radiator will have its own unique welding marks and imperfections that are left on purpose. Bare Metal colour shown in images are subject to the limitations of the printing process and may appear different.

Traditional TRVs
Page 733



Pictured 41.0420 Bare Metal

FEATURES

- Tested to BS EN 442 standards
- 5 Year Manufacturer's Warranty*
- Matching colour wall fixing sets
- Radiator feet option available to get the classic look
- Material thickness 1.5mm
- Doesn't require flow diverter
- * With conditions

Technical Tables & Drawings
Page 802-803



Imperia Two Column Radiators - Bare Metal						New Colour	
Size H x W	Watts	BTU	Element Output	Element Type	Code	£ Ex VAT	£ Inc VAT
600 x 605mm**	826	2818	450W	A, A+, C, H	41.0419	318.00	381.60
600 x 830mm**	1143	3900	600W	A, A+, C, E*, H	41.0420	422.00	506.40
600 x 1145mm**	1588	5418	900W	A, A+, H	41.0421	566.00	679.20
1800 x 380mm**	1190	4059	N/A	N/A	41.0422	424.00	508.80
1800 x 470mm**	1487	5074	N/A	N/A	41.0423	506.00	607.20

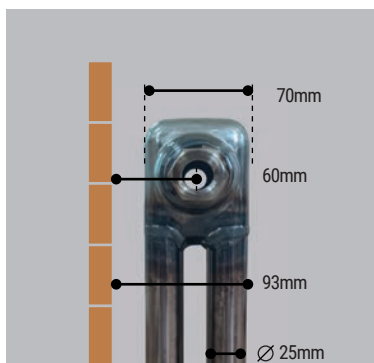
*600w Type E Element can be fitted **Available February 2023

TECHNICAL INFORMATION

All measurements in Height by Width. Heat output based on $\Delta T60^{\circ}C$. Radiators that are electric only are restricted to the heat output of the elements. Element size can be increased to full capacity of rail if using element type C, E or H. For element types see pages 718-729. For matching valves see pages 731-737. For indirect heating systems. Tappings are the width of the rail and 60mm off the wall. Prices include radiator and wall fixings sets, valves extra.

Eastbrook is always on the look out for products and finishes trending in the UK market. We have noticed a trend in bare brick and plain painted walls with traditional engineering items such as small sand casts mounted on the wall. Known in designer circles as the Industrial Chic look.

For those of you looking for Bare metal finish radiator showing the welds, pressings, sanding and tubes that make up a traditional column radiator we have introduced this range. We have sealed the metal with clear lacquer to ensure no impurities are allow to discolour of oxidise the metal.



Warranty

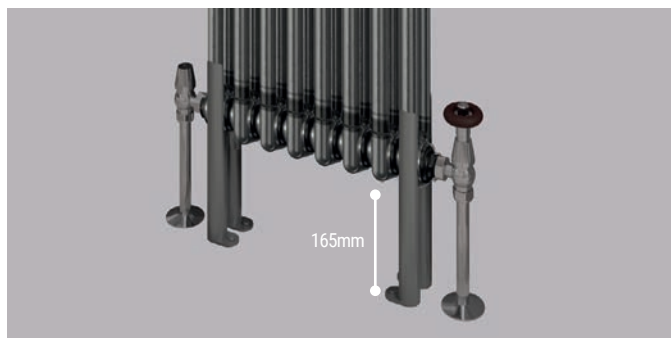
5

Year

Heating

All Electric

Dual-Fuel



Imperia Radiator Feet		New Colour	
Description	Code	£ Ex VAT	£ Inc VAT
Imperia 2 Column Radiator Feet (pair)	41.0429	42.00	50.40

Traditional Range

Including new colour

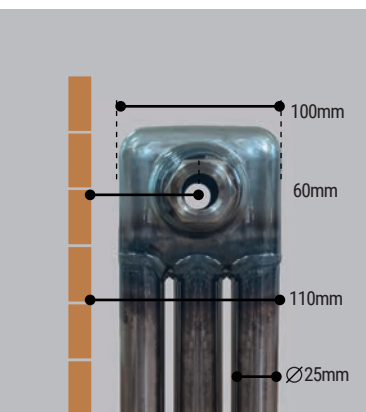
IMPERIA 3 COLUMN



Pictured 41.0428 Bare Metal

Eastbrook is always on the look out for products and finishes trending in the UK market. We have noticed a trend in bare brick and plain painted walls with traditional engineering items such as small sand casts mounted on the wall. Known in designer circles as the Industrial Chic look.

For those of you looking for Bare metal finish radiator showing the welds, pressings, sanding and tubes that make up a traditional column radiator we have introduced this range. We have sealed the metal with clear lacquer to ensure no impurities are allowed to discolour or oxidise the metal.



Warranty

5
Year

Heating



All Electric



Dual-Fuel



Imperia bare metal radiators are handfinished therefore each radiator will have its own unique welding marks and imperfections that are left on purpose. Bare Metal colour shown in images are subject to the limitations of the printing process and may appear different.

Traditional TRVs
Page 733


Pictured 41.0424 Bare Metal

FEATURES

- Tested to BS EN 442 standards
- 5 Year Manufacturer's Warranty*
- Matching colour wall fixing sets
- Radiator feet option available to get the classic look
- Material thickness 1.5mm
- Doesn't require flow diverter
- * With conditions

Technical Tables & Drawings
Page 802-803


Imperia Three Column Radiators - Bare Metal

New Colour

Size H x W	Watts	BTU	Element Output	Element Type	Code	£ Ex VAT	£ Inc VAT
600 x 605mm**	1081	3688	600W	A, A+, C, H	41.0424	374.00	448.80
600 x 830mm**	1498	5110	900W	A+, C, H	41.0425	497.00	596.40
600 x 1145mm**	2362	8059	1200W	A, A+, H	41.0426	668.00	801.60
1800 x 380mm**	2099	7160	N/A	N/A	41.0427	511.00	613.20
1800 x 470mm**	2623	8950	N/A	N/A	41.0428	610.00	732.00

**Available February 2023

TECHNICAL INFORMATION

All measurements in Height by Width. Heat output based on $\Delta T60^{\circ}\text{C}$. Radiators that are electric only are restricted to the heat output of the elements. Element size can be increased to full capacity of rail if using element type C, E or H. For element types see pages 718-729. For matching valves see pages 731-737. For indirect heating systems. Tappings are the width of the rail and 60mm off the wall. Prices include radiator and wall fixings sets, valves extra.



Imperia Radiator Feet

New Colour

Description	Code	£ Ex VAT	£ Inc VAT
Imperia 3 Column Radiator Feet (pair)	41.0430	46.00	55.20

Traditional Range

IMPERIA 3 COLUMN

Including new sizes



Pictured 41.0351 Gloss White with 41.0359 feet



Traditional TRVs
Page 733



Pictured 41.0353 Matt Anthracite



Pictured 41.0347 Gloss White

A traditional rail which will give a Victorian touch of authenticity to any room but will also create an elegant look to a contemporary interior. This radiator boasts high outputs to ensure the whole room is warm. Comes with the option of traditional legs and in gloss white, matt anthracite or bare metal finishes. Also available in two columns.

FEATURES

- Tested to BS EN 442 standards
- 5 Year Manufacturer's Warranty*
- Matching colour wall fixing sets
- Radiator feet option available to get the classic look
- Material thickness 1.5mm
- Doesn't require flow diverter
- * With conditions

Technical Tables & Drawings
Page 802-803



Warranty

5
Year

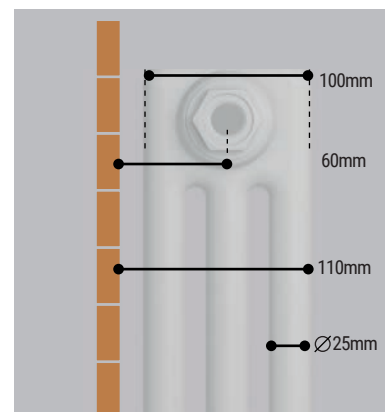
Heating



All Electric



Dual-Fuel



Traditional Range

Including new sizes

IMPERIA 3 COLUMN

Imperia Three Column Radiators - Gloss White						New Sizes	
Size H x W	Watts	BTU	Element Output	Element Type	Code	£ Ex VAT	£ Inc VAT
300 x 1145mm**	1278	4360	600W	A, A+, C, E*, H	41.0401	317.00	380.40
300 x 1370mm**	1436	4896	750W	A, A+, C, E*, H	41.0402	374.00	448.80
600 x 425mm**	850	2900	450W	A, A+	41.0403	178.00	213.60
600 x 470mm**	945	3224	450W	A, A+, C, H	41.0404	193.00	231.60
600 x 515mm**	1040	3548	450W	A, A+, C, H	41.0405	208.00	249.60
600 x 560mm**	1134	3869	600W	A+, C, H	41.0406	225.00	270.00
600 x 605mm	1081	3688	600W	A, A+, C, H	41.0349	262.00	314.40
600 x 830mm	1498	5110	900W	A+, C, H	41.0348	346.00	415.20
600 x 1010mm**	2079	7093	1000W	A, A+, C, H	41.0407	381.00	457.20
600 x 1145mm	2362	8059	1200W	A, A+, H	41.0347	466.00	559.20
600 x 1460mm**	3024	10317	1200W	A+, H	41.0408	538.00	645.60
1800 x 290mm**	1608	5486	N/A	N/A	41.0409	262.00	314.40
1800 x 380mm	2099	7160	N/A	N/A	41.0351	339.00	406.80
1800 x 470mm	2623	8950	N/A	N/A	41.0350	407.00	488.40

*600w Type E Element can be fitted **Available February 2023

Imperia Three Column Radiators - Matt Anthracite						New Sizes	
Size H x W	Watts	BTU	Element Output	Element Type	Code	£ Ex VAT	£ Inc VAT
300 x 1145mm**	1278	4360	600W	A, A+, C, E*, H	41.0410	317.00	380.40
300 x 1370mm**	1436	4896	750W	A, A+, C, E*, H	41.0411	374.00	448.80
600 x 425mm**	850	2900	450W	A, A+	41.0412	178.00	213.60
600 x 470mm**	945	3224	450W	A, A+, C, H	41.0413	193.00	231.60
600 x 515mm**	1040	3548	450W	A, A+, C, H	41.0414	208.00	249.60
600 x 560mm**	1134	3869	600W	A+, C, H	41.0415	225.00	270.00
600 x 605mm	1081	3688	600W	A, A+, C, H	41.0354	262.00	314.40
600 x 830mm	1498	5110	900W	A+, C, H	41.0353	346.00	415.20
600 x 1010mm**	2079	7093	1000W	A, A+, C, H	41.0416	381.00	457.20
600 x 1145mm	2362	8059	1200W	A, A+, H	41.0352	466.00	559.20
600 x 1460mm**	3024	10317	1200W	A+, H	41.0417	538.00	645.60
1800 x 290mm**	1608	5486	N/A	N/A	41.0418	262.00	314.40
1800 x 380mm	2099	7160	N/A	N/A	41.0356	339.00	406.80
1800 x 470mm	2623	8950	N/A	N/A	41.0355	407.00	488.40

*600w Type E Element can be fitted **Available February 2023

TECHNICAL INFORMATION

All measurements in Height by Width. Heat output based on $\Delta T60^{\circ}\text{C}$. Radiators that are electric only are restricted to the heat output of the elements. Element size can be increased to full capacity of rail if using element type C, E or H. For element types see pages 718-729. For matching valves see pages 731-737. For indirect heating systems. Tappings are the width of the rail and 60mm off the wall. Prices include radiator and wall fixings sets, valves extra.



Pictured 41.0411 Matt Anthracite



Imperia Radiator Feet

Description	Code	£ Ex VAT	£ Inc VAT
Imperia 3 Column Radiator Feet (pair) Gloss White	41.0359	36.00	43.20
Imperia 3 Column Radiator Feet (pair) Matt Anthracite	41.0360	36.00	43.20



Pictured 41.0354 Matt Anthracite with Type A+ Element

Imperia Towel Hangers

Page 738



Robe Hooks

Page 738



Round Vent Caps

Page 741



Traditional Range

RIVASSA 2 COLUMN

Including new colour



Pictured 81.0003 Gloss White



Pictured 81.0025 Matt Anthracite

Traditional TRVs
Page 733



Pictured 81.0008 Gloss White with 81.0034 Feet and 8.541 Type H element

A traditional rail which will give a Victorian touch of authenticity to any room but will also create an elegant look to a contemporary interior. This radiator boasts high outputs to ensure the whole room is warm. Comes with the option of traditional legs and in gloss white, matt anthracite or matt black finishes. Also available in three and four columns.

FEATURES

- Tested to BS EN 442 standards
- 5 Year Manufacturer's Warranty*
- Matching colour wall fixing sets
- 300mm height option for limited spaces
- Radiator feet option available to get the classic look
- Material thickness 1.5mm
- Doesn't require flow diverter
- * With conditions

Technical Tables & Drawings

Page 804-805



Warranty

5
Year

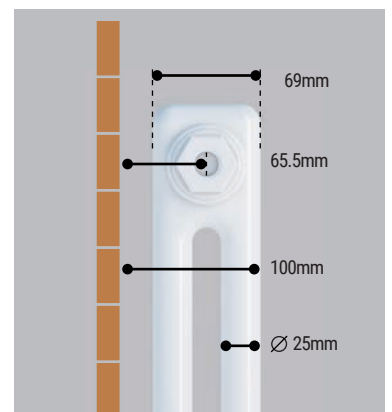
Heating



All Electric



Dual-Fuel



Traditional Range

Including new colour

RIVASSA 2 COLUMN

Rivassa Two Column Radiators - Gloss White

Size H x W	Watts	BTU	Element Output	Element Type	Code	£ Ex VAT	£ Inc VAT
300 x 1148mm	889	3034	450W	A, A+, C, E*, H	81.0005	443.00	531.60
300 x 1373mm	1067	3641	600W	A, A+, C, E*, H	81.0006	531.00	637.20
600 x 428mm	567	1933	300W	A, A+, C, H	81.0038	202.00	242.40
600 x 473mm	630	2148	300W	A, A+, C, H	81.0039	225.00	270.00
600 x 518mm	693	2362	300W	A, A+, C, H	81.0040	246.00	295.20
600 x 563mm	756	2577	450W	A, A+, C, H	81.0041	270.00	324.00
600 x 608mm	818	2792	450W	A, A+, C, H	81.0007	293.00	351.60
600 x 833mm	1133	3866	600W	A, A+, C, E*, H	81.0008	406.00	487.20
600 x 1010mm	1385	4727	750W	A, A+, C, H	81.0077	497.00	596.40
600 x 1148mm	1573	5369	900W	A, A+, H	81.0009	564.00	676.80
600 x 1460mm	2014	6874	1200W	A, A+, H	81.0078	723.00	867.60
1800 x 293mm	933	3185	N/A	N/A	81.0002	263.00	315.60
1800 x 383mm	1245	4247	N/A	N/A	81.0003	346.00	415.20
1800 x 473mm	1556	5308	N/A	N/A	81.0004	434.00	520.80

*600w Type E Element can be fitted

Rivassa Two Column Radiators - Matt Anthracite

Size H x W	Watts	BTU	Element Output	Element Type	Code	£ Ex VAT	£ Inc VAT
300 x 1148mm	889	3034	450W	A, A+, C, E*, H	81.0021	450.00	540.00
300 x 1373mm	1067	3641	600W	A, A+, C, E*, H	81.0022	541.00	649.20
600 x 428mm	567	1933	300W	A, A+, C, H	81.0046	206.00	247.20
600 x 473mm	630	2148	300W	A, A+, C, H	81.0047	228.00	273.60
600 x 518mm	693	2362	300W	A, A+, C, H	81.0048	246.00	295.20
600 x 563mm	756	2577	450W	A, A+, C, H	81.0049	274.00	328.80
600 x 608mm	818	2792	450W	A, A+, C, H	81.0023	301.00	361.20
600 x 833mm	1133	3866	600W	A, A+, C, E*, H	81.0024	414.00	496.80
600 x 1010mm	1385	4727	750W	A, A+, C, H	81.0090	509.00	610.80
600 x 1148mm	1573	5369	900W	A, A+, H	81.0025	575.00	690.00
600 x 1460mm	2014	6874	1200W	A, A+, H	81.0091	737.00	884.40
1800 x 293mm	933	3185	N/A	N/A	81.0018	270.00	324.00
1800 x 383mm	1245	4247	N/A	N/A	81.0019	352.00	422.40
1800 x 473mm	1556	5308	N/A	N/A	81.0020	443.00	531.60

*600w Type E Element can be fitted

Rivassa Two Column Radiators - Matt Black

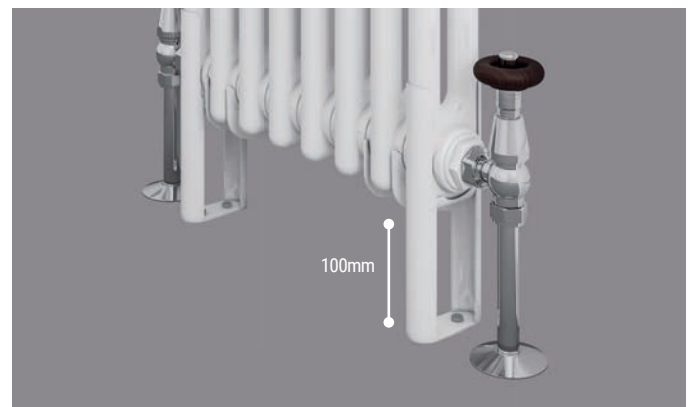
New Colour

Size H x W	Watts	BTU	Element Output	Element Type	Code	£ Ex VAT	£ Inc VAT
300 x 1148mm	889	3034	450W	A, A+, C, E*, H	81.0208	450.00	540.00
300 x 1373mm	1067	3641	600W	A, A+, C, E*, H	81.0209	541.00	649.20
600 x 428mm	567	1933	300W	A, A+, C, H	81.0210	206.00	247.20
600 x 473mm	630	2148	300W	A, A+, C, H	81.0211	228.00	273.60
600 x 518mm	693	2362	300W	A, A+, C, H	81.0212	246.00	295.20
600 x 563mm	756	2577	450W	A, A+, C, H	81.0213	274.00	328.80
600 x 608mm	818	2792	450W	A, A+, C, H	81.0214	301.00	361.20
600 x 833mm	1133	3866	600W	A, A+, C, E*, H	81.0215	414.00	496.80
600 x 1010mm	1385	4727	750W	A, A+, C, H	81.0216	509.00	610.80
600 x 1148mm	1573	5369	900W	A, A+, H	81.0217	575.00	690.00
600 x 1460mm	2014	6874	1200W	A, A+, H	81.0218	737.00	884.40
1800 x 293mm	933	3185	N/A	N/A	81.0219	270.00	324.00
1800 x 383mm	1245	4247	N/A	N/A	81.0220	352.00	422.40
1800 x 473mm	1556	5308	N/A	N/A	81.0221	443.00	531.60

*600w Type E Element can be fitted

TECHNICAL INFORMATION

All measurements in Height by Width. Heat output based on $\Delta T60^{\circ}\text{C}$. Radiators that are electric only are restricted to the heat output of the elements. Element size can be increased to full capacity of rail if using element type C, E or H. For element types see pages 718-729. For matching valves see pages 731-737. For indirect heating systems. Tappings are the width of the rail and 65.5mm off the wall. Prices include radiator and wall fixings sets, valves extra.



Rivassa Radiator Feet

Description	Code	£ Ex VAT	£ Inc VAT
Rivassa 2 Column Radiator Feet (pair) White	81.0034	35.00	42.00
Rivassa 2 Column Rad. Feet (pair) Matt Anthracite	81.0035	35.00	42.00
Rivassa 2 Column Rad. Feet (pair) Matt Black	81.0222	35.00	42.00



Pictured 81.0049 Matt Anthracite with 16.158 Towel Hanger

Rivassa Towel Hangers

Page 738



Robe Hooks

Page 738



Round Vent Caps

Page 741



Traditional Range

RIVASSA 2 COLUMN

Bronze Effect



Bronze effect colour shown in images are subject to the limitations of the printing process and may appear



SWATCHES AVAILABLE

Pictured 81.0111 Bronze Effect with 81.0114 feet

Chrome Effect



Chrome effect colour shown in images are subject to the limitations of the printing process and may appear

Pictured 81.0123 Chrome Effect

Traditional Range

RIVASSA 2 COLUMN

Rivassa Two Column Radiators - Bronze Effect

Size H x W	Watts	BTU	Element Output	Element Type	Code	£ Ex VAT	£ Inc VAT
600 x 608mm	818	2792	450W	A, A+, C, H	81.0108	300.00	360.00
600 x 833mm	1133	3866	600W	A, A+, C, E*, H	81.0109	415.00	498.00
600 x 1010mm	1385	4727	750W	A, A+, C, H	81.0110	509.00	610.80
600 x 1148mm	1573	5369	900W	A, A+, H	81.0111	575.00	690.00
1800 x 383mm	1245	4247	N/A	N/A	81.0113	357.00	428.40
1800 x 473mm	1556	5308	N/A	N/A	81.0112	443.00	531.60

*600w Type E Element can be fitted

Rivassa Two Column Radiators - Chrome Effect

Size H x W	Watts	BTU	Element Output	Element Type	Code	£ Ex VAT	£ Inc VAT
600 x 608mm	818	2792	450W	A, A+, C, H	81.0122	311.00	373.20
600 x 833mm	1133	3866	600W	A, A+, C, E*, H	81.0123	428.00	513.60
600 x 1010mm	1385	4727	750W	A, A+, C, H	81.0124	522.00	626.40
600 x 1148mm	1573	5369	900W	A, A+, H	81.0125	592.00	710.40
1800 x 383mm	1245	4247	N/A	N/A	81.0127	366.00	439.20
1800 x 473mm	1556	5308	N/A	N/A	81.0126	457.00	548.40

*600w Type E Element can be fitted

A traditional rail which will give a Victorian touch of authenticity to any room but will also create an elegant look to a contemporary interior. This radiator boasts high outputs to ensure the whole room is warm. Comes with the option of traditional legs and in bronze effect or chrome effect finishes. Also available in three columns.

FEATURES

- Tested to BS EN 442 standards
- 5 Year Manufacturer's Warranty*
- Matching colour wall fixing sets
- Radiator feet option available to get the classic look
- Material thickness 1.5mm
- Doesn't require flow diverter
- * With conditions

Technical Tables & Drawings

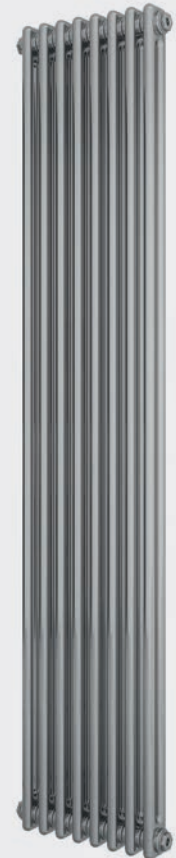
Page 804-805



Bronze Effect



Chrome Effect



TECHNICAL INFORMATION

All measurements in Height by Width. Heat output based on $\Delta T60^{\circ}\text{C}$. Radiators that are electric only are restricted to the heat output of the elements. Element size can be increased to full capacity of rail if using element type C, E or H. For element types see pages 718-729. For matching valves see pages 731-737. For indirect heating systems. Tappings are the width of the rail and 65.5mm off the wall. Prices include radiator and wall fixings sets, valves extra.

COMPLETE THE LOOK

Traditional TRVs Page 733



Angle TRV with Lockshield 15mm (pair) - Chrome

Code	£ Ex VAT	£ Inc VAT
54.0008	85.00	102.00



Angle TRV with Lockshield 15mm (pair) - Satin Nickel

Code	£ Ex VAT	£ Inc VAT
54.0009	92.00	110.40

Warranty

5
Year

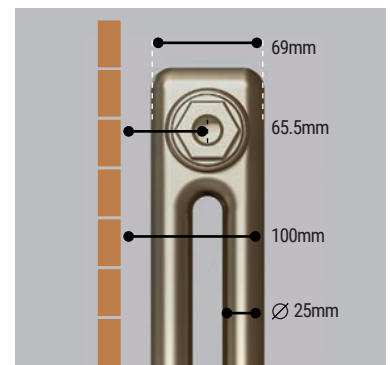
Heating



All Electric



Dual-Fuel



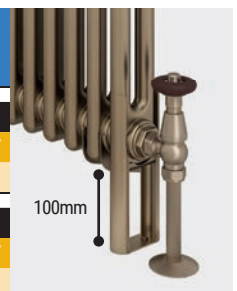
RIVASSA 2 COLUMN RADIATOR FEET

Rivassa 2 Column Feet - Bronze Effect

Description	Code	£ Ex VAT	£ Inc VAT
2 Column Radiator Feet (pair)	81.0114	35.00	42.00

Rivassa 2 Column Feet - Chrome Effect

Description	Code	£ Ex VAT	£ Inc VAT
2 Column Radiator Feet (pair)	81.0128	36.00	43.20



Robe Hooks Page 738



Rivassa Towel Hangers Page 738



Traditional Range

RIVASSA 3 COLUMN

Including new colour



Pictured 81.0028 Matt Anthracite



Traditional TRVs
Page 733



Pictured 81.0033 Matt Anthracite with 81.0037 Feet



Pictured 81.0016 Gloss White

A traditional rail which will give a Victorian touch of authenticity to any room but will also create an elegant look to a contemporary interior. This radiator boasts high outputs to ensure the whole room is warm. Comes with the option of traditional legs and in gloss white, matt anthracite or matt black finishes. Also available in two and four columns.

FEATURES

- Tested to BS EN 442 standards
- 5 Year Manufacturer's Warranty*
- Matching colour wall fixing sets
- 300mm height option for limited spaces
- Radiator feet option available to get the classic look
- Material thickness 1.5mm
- Doesn't require flow diverter
- * With conditions

Technical Tables & Drawings

Page 804-805



Warranty

5
Year

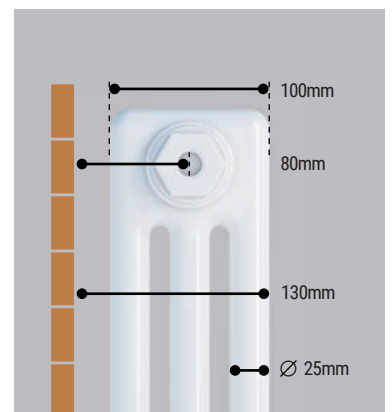
Heating



All Electric



Dual-Fuel



Traditional Range

Including new colour

RIVASSA 3 COLUMN

Rivassa Three Column Radiators - White

Size H x W	Watts	BTU	Element Output	Element Type	Code	£ Ex VAT	£ Inc VAT
300 x 1148mm	1118	3816	600W	A, A+, C, E*, H	81.0013	472.00	566.40
300 x 1373mm	1342	4579	750W	A, A+, C, E*, H	81.0014	564.00	676.80
600 x 428mm	734	2504	450W	A, A+, C, H	81.0042	216.00	259.20
600 x 473mm	816	2782	450W	A, A+, C, H	81.0043	238.00	285.60
600 x 518mm	898	3061	450W	A, A+, C, H	81.0044	261.00	313.20
600 x 563mm	979	3339	600W	A+, C, H	81.0045	284.00	340.80
600 x 608mm	1060	3616	600W	A+, C, H	81.0015	313.00	375.60
600 x 833mm	1467	5007	900W	A+, C, H	81.0016	432.00	518.40
600 x 1010mm	1794	6123	1000W	A, A+, C, H	81.0079	525.00	630.00
600 x 1148mm	2038	6954	1200W	A, A+, H	81.0017	596.00	715.20
600 x 1460mm	2609	8904	1200W	A, A+, H	81.0080	765.00	918.00
1800 x 293mm	1563	5333	N/A	N/A	81.0010	290.00	348.00
1800 x 383mm	2084	7111	N/A	N/A	81.0011	361.00	433.20
1800 x 473mm	2605	8889	N/A	N/A	81.0012	450.00	540.00

*600w Type E Element can be fitted

Rivassa Three Column Radiators - Matt Anthracite

Size H x W	Watts	BTU	Element Output	Element Type	Code	£ Ex VAT	£ Inc VAT
300 x 1148mm	1118	3816	600W	A, A+, C, E*, H	81.0029	479.00	574.80
300 x 1373mm	1342	4579	750W	A, A+, C, E*, H	81.0030	575.00	690.00
600 x 428mm	734	2504	450W	A, A+, C, H	81.0050	219.00	262.80
600 x 473mm	816	2782	450W	A, A+, C, H	81.0051	242.00	290.40
600 x 518mm	898	3061	450W	A, A+, C, H	81.0052	269.00	322.80
600 x 563mm	979	3339	600W	A+, C, H	81.0053	289.00	346.80
600 x 608mm	1060	3616	600W	A+, C, H	81.0031	318.00	381.60
600 x 833mm	1467	5007	900W	A+, C, H	81.0032	438.00	525.60
600 x 1010mm	1794	6123	1000W	A, A+, C, H	81.0092	536.00	643.20
600 x 1148mm	2038	6954	1200W	A, A+, H	81.0033	608.00	729.60
600 x 1460mm	2609	8904	1200W	A, A+, H	81.0093	778.00	933.60
1800 x 293mm	1563	5333	N/A	N/A	81.0026	296.00	355.20
1800 x 383mm	2084	7111	N/A	N/A	81.0027	370.00	444.00
1800 x 473mm	2605	8889	N/A	N/A	81.0028	459.00	550.80

*600w Type E Element can be fitted

Rivassa Three Column Radiators - Matt Black

New Colour

Size H x W	Watts	BTU	Element Output	Element Type	Code	£ Ex VAT	£ Inc VAT
300 x 1148mm	1118	3816	600W	A, A+, C, E*, H	81.0223	479.00	574.80
300 x 1373mm	1342	4579	750W	A, A+, C, E*, H	81.0224	575.00	690.00
600 x 428mm	734	2504	450W	A, A+, C, H	81.0225	219.00	262.80
600 x 473mm	816	2782	450W	A, A+, C, H	81.0226	242.00	290.40
600 x 518mm	898	3061	450W	A, A+, C, H	81.0227	269.00	322.80
600 x 563mm	979	3339	600W	A+, C, H	81.0228	289.00	346.80
600 x 608mm	1060	3616	600W	A+, C, H	81.0229	318.00	381.60
600 x 833mm	1467	5007	900W	A+, C, H	81.0230	438.00	525.60
600 x 1010mm	1794	6123	1000W	A, A+, C, H	81.0231	536.00	643.20
600 x 1148mm	2038	6954	1200W	A, A+, H	81.0232	608.00	729.60
600 x 1460mm	2609	8904	1200W	A, A+, H	81.0233	778.00	933.60
1800 x 293mm	1563	5333	N/A	N/A	81.0234	296.00	355.20
1800 x 383mm	2084	7111	N/A	N/A	81.0235	370.00	444.00
1800 x 473mm	2605	8889	N/A	N/A	81.0236	459.00	550.80

*600w Type E Element can be fitted

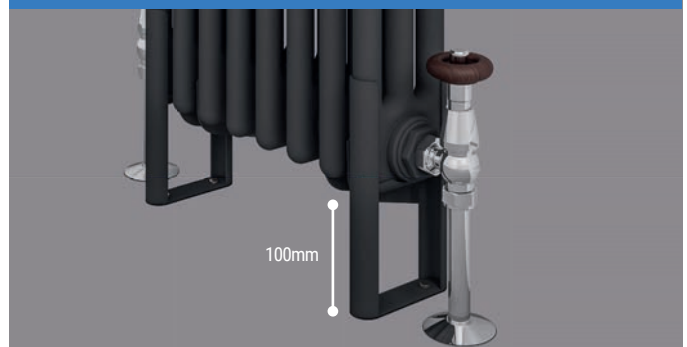
TECHNICAL INFORMATION

All measurements in Height by Width. Heat output based on $\Delta T60^{\circ}\text{C}$. Radiators that are electric only are restricted to the heat output of the elements. Element size can be increased to full capacity of rail if using element type C, E or H. For element types see pages 718-729. For matching valves see pages 731-737. For indirect heating systems. Tappings are the width of the rail and 80mm off the wall. Prices include radiator and wall fixings sets, valves extra.



Pictured 81.0231 Matt Black with 81.0237 Feet

RIVASSA 3 COLUMN RADIATOR FEET



Rivassa Radiator Feet

Description	Code	£ Ex VAT	£ Inc VAT
Rivassa 3 Column Radiator Feet (pair) White	81.0036	35.00	42.00
Rivassa 3 Column Radiator Feet (pair) Matt Anthracite	81.0037	35.00	42.00
Rivassa 3 Column Radiator Feet (pair) Matt Black	81.0237	35.00	42.00



Pictured 81.0042 Gloss White

Rivassa Towel Hangers

Page 738



Robe Hooks

Page 738



Round Vent Caps

Page 741



Traditional Range

RIVASSA 3 COLUMN

Bronze Effect



Bronze effect colour shown in images are subject to the limitations of the printing process and may appear

Pictured 81.0116 Bronze Effect

Chrome Effect



Chrome effect colour shown in images are subject to the limitations of the printing process and may appear

Pictured 81.0131 Chrome Effect

Traditional Range

RIVASSA 3 COLUMN

Rivassa Three Column Radiators - Bronze Effect

Size H x W	Watts	BTU	Element Output	Element Type	Code	£ Ex VAT	£ Inc VAT
600 x 608mm	1060	3616	600W	A+, C, H	81.0115	318.00	381.60
600 x 833mm	1467	5007	900W	A+, C, H	81.0116	438.00	525.60
600 x 1010mm	1794	6123	1000W	A, A+, C, H	81.0117	536.00	643.20
600 x 1148mm	2038	6954	1200W	A, A+, H	81.0118	609.00	730.80
1800 x 383mm	2084	7111	N/A	N/A	81.0120	373.00	447.60
1800 x 473mm	2605	8889	N/A	N/A	81.0119	467.00	560.40

Rivassa Three Column Radiators - Chrome Effect

Size H x W	Watts	BTU	Element Output	Element Type	Code	£ Ex VAT	£ Inc VAT
600 x 608mm	1060	3616	600W	A+, C, H	81.0129	328.00	393.60
600 x 833mm	1467	5007	900W	A+, C, H	81.0130	451.00	541.20
600 x 1010mm	1794	6123	1000W	A, A+, C, H	81.0131	552.00	662.40
600 x 1148mm	2038	6954	1200W	A, A+, H	81.0132	626.00	751.20
1800 x 383mm	2084	7111	N/A	N/A	81.0134	384.00	460.80
1800 x 473mm	2605	8889	N/A	N/A	81.0133	483.00	579.60

A traditional rail which will give a Victorian touch of authenticity to any room but will also create an elegant look to a contemporary interior. This radiator boasts high outputs to ensure the whole room is warm. Comes with the option of traditional legs and in bronze effect or chrome effect finishes. Also available in two columns.

FEATURES

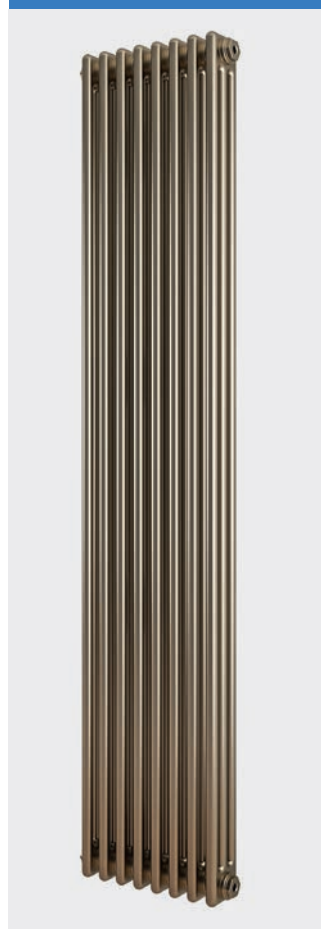
- Tested to BS EN 442 standards
 - 5 Year Manufacturer's Warranty*
 - Matching colour wall fixing sets
 - Radiator feet option available to get the classic look
 - Material thickness 1.5mm
 - Doesn't require flow diverter
- * With conditions

Technical Tables & Drawings

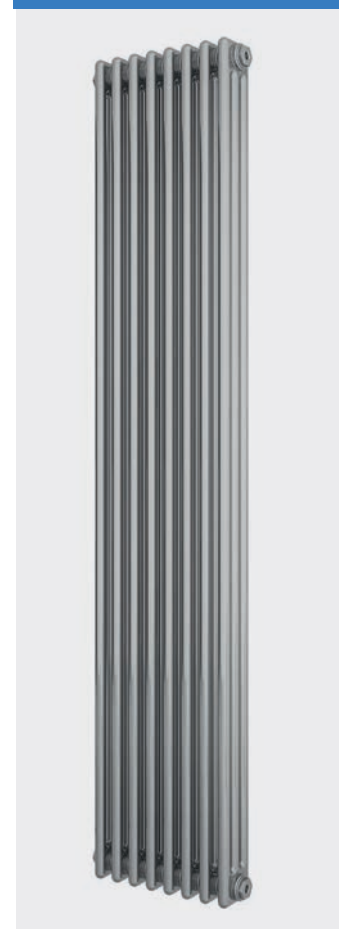
Page 804-805



Bronze Effect



Chrome Effect



TECHNICAL INFORMATION

All measurements in Height by Width. Heat output based on $\Delta T60^{\circ}C$. Radiators that are electric only are restricted to the heat output of the elements. Element size can be increased to full capacity of rail if using element type C, E or H. For element types see pages 718-729. For matching valves see pages 731-737. For indirect heating systems. Tappings are the width of the rail and 80mm off the wall. Prices include radiator and wall fixings sets, valves extra.

COMPLETE THE LOOK

Traditional TRVs

Page 733



Angle TRV with Lockshield 15mm (pair) - Chrome

Code	£ Ex VAT	£ Inc VAT
54.0008	85.00	102.00



Angle TRV with Lockshield 15mm (pair) - Satin Nickel

Code	£ Ex VAT	£ Inc VAT
54.0009	92.00	110.40

Warranty

5
Year

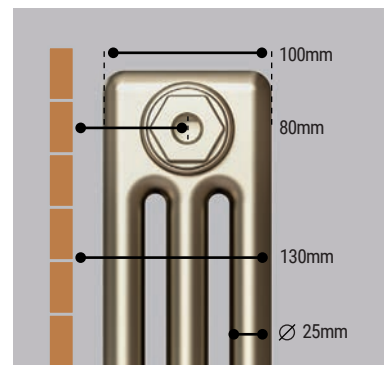
Heating



All Electric



Dual-Fuel



RIVASSA 3 COLUMN RADIATOR FEET

Rivassa 3 Column Feet - Bronze Effect

Description	Code	£ Ex VAT	£ Inc VAT
3 Column Radiator Feet (pair)	81.0121	35.00	42.00

Rivassa 3 Column Feet - Chrome Effect

Description	Code	£ Ex VAT	£ Inc VAT
3 Column Radiator Feet (pair)	81.0135	36.00	43.20



Rivassa Towel Hangers

Page 738



Robe Hooks

Page 738



Traditional Range

RIVASSA 4 COLUMN

Including new colour



Traditional TRVs
Page 733



Pictured 81.0074 Gloss White with 81.0076 Feet



Rivassa Towel Hangers
Page 738



Pictured 81.0088 Matt Anthracite

A traditional rail which will give a Victorian touch of authenticity to any room but will also create an elegant look to a contemporary interior. This radiator boasts high outputs to ensure the whole room is warm. Comes with the option of traditional legs and in gloss white, matt anthracite or matt black finishes. Also available in two and three columns.

FEATURES

- Tested to BS EN 442 standards
- 5 Year Manufacturer's Warranty*
- Matching colour wall fixing sets
- 300mm height option for limited spaces
- Radiator feet option available to get the classic look
- Material thickness 1.5mm
- Doesn't require flow diverter
- * With conditions

Warranty
5
Year

Heating

All Electric

Dual-Fuel

Technical Tables & Drawings
Page 806-807



Traditional Range

Including new colour

RIVASSA 4 COLUMN



Pictured 81.0242 Matt Black

Rivassa Four Column Radiators - Gloss White

Size H x W	Watts	BTU	Element Output	Element Type	Code	£ Ex VAT	£ Inc VAT
300 x 1010mm	1197	4085	600W	A, A+, C, E*, H	81.0068	478.00	573.60
300 x 1373mm	1633	5573	1000W	A, A+, H	81.0069	652.00	782.40
300 x 1505mm	1796	6110	1000W	A+, H	81.0070	715.00	858.00
600 x 425mm	869	2966	450W	A, A+	81.0071	286.00	343.20
600 x 605mm	1255	4283	750W	A+, C, H	81.0072	411.00	493.20
600 x 785mm	1641	5601	900W	A+, H	81.0073	536.00	643.20
600 x 1010mm	2124	7249	1200W	A, A+	81.0074	691.00	829.20
600 x 1190mm	2510	8567	1200W	A, A+	81.0075	818.00	981.60

*600w Type E Element can be fitted

Rivassa Four Column Radiators - Matt Anthracite

Size H x W	Watts	BTU	Element Output	Element Type	Code	£ Ex VAT	£ Inc VAT
300 x 1010mm	1197	4085	600W	A, A+, C, E*, H	81.0081	488.00	585.60
300 x 1373mm	1633	5573	1000W	A, A+, H	81.0082	665.00	798.00
300 x 1505mm	1796	6110	1000W	A+, H	81.0083	730.00	876.00
600 x 425mm	869	2966	450W	A, A+	81.0084	290.00	348.00
600 x 605mm	1255	4283	750W	A+, C, H	81.0085	420.00	504.00
600 x 785mm	1641	5601	900W	A+, H	81.0086	546.00	655.20
600 x 1010mm	2124	7249	1200W	A, A+	81.0087	707.00	848.40
600 x 1190mm	2510	8567	1200W	A, A+	81.0088	832.00	998.40

*600w Type E Element can be fitted

Rivassa Four Column Radiators - Matt Black

New Colour

Size H x W	Watts	BTU	Element Output	Element Type	Code	£ Ex VAT	£ Inc VAT
300 x 1010mm	1197	4085	600W	A, A+, C, E*, H	81.0238	488.00	585.60
300 x 1373mm	1633	5573	1000W	A, A+, H	81.0239	665.00	798.00
300 x 1505mm	1796	6110	1000W	A+, H	81.0240	730.00	876.00
600 x 425mm	869	2966	450W	A, A+	81.0241	290.00	348.00
600 x 605mm	1255	4283	750W	A+, C, H	81.0242	420.00	504.00
600 x 785mm	1641	5601	900W	A+, H	81.0243	546.00	655.20
600 x 1010mm	2124	7249	1200W	A, A+	81.0244	707.00	848.40
600 x 1190mm	2510	8567	1200W	A, A+	81.0245	832.00	998.40

*600w Type E Element can be fitted

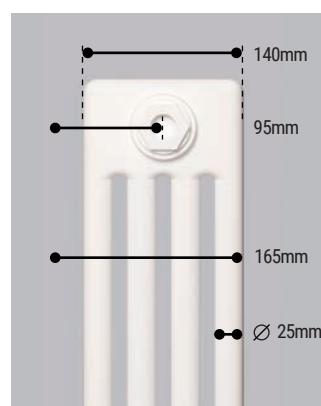
RIVASSA 4 COLUMN RADIATOR FEET

Description	Code	£ Ex VAT	£ Inc VAT
Rivassa 4 Column Radiator Feet (pair) - Gloss White	81.0076	42.00	50.40
Rivassa 4 Column Radiator Feet (pair) - Matt Anthracite	81.0089	42.00	50.40
Rivassa 4 Column Radiator Feet (pair) - Matt Black	81.0246	42.00	50.40



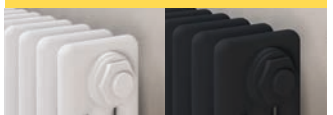
TECHNICAL INFORMATION

All measurements in Height by Width. Heat output based on $\Delta T60^{\circ}\text{C}$. Radiators that are electric only are restricted to the heat output of the elements. Element size can be increased to full capacity of rail if using element type C, E or H. For element types see pages 718-729. For matching valves see pages 731-737. For indirect heating systems. Tappings are the width of the rail and 95mm off the wall. Projection from wall 165mm. Prices include radiator and wall fixings sets, valves extra.



Round Vent Caps

Page 741



Robe Hooks

Page 738



Traditional Range

LEADON

For element types see pages 718-729.



Our traditional range of radiators offer character and flair to ensure they fit in with your classic designs. These rails should only be used on closed or indirect heating circuits, not on fresh water hot systems as they are of steel construction.

Leadon - Chrome / Gloss White

Size H x W x D	Watts	BTU	Element Output	Element Type	Code	£ Ex VAT	£ Inc VAT
940 x 700 x 260mm	897	3061	450W	A, A+, C, H	41.1007	618.00	741.60

Tappings are approx. 130mm less than the width of the rail and approx. 137mm off the wall.

FEATURES

- Tested to BS EN 442 standards
- 5 Year Manufacturer's Warranty*
- Can be single or dual fuel, or all electric
- * With conditions

Technical Tables & Drawings
Page 806-807



TECHNICAL INFORMATION

All measurements in Height by Width. Heat output based on $\Delta T60^{\circ}\text{C}$. Radiators that are electric only are restricted to the heat output of the elements. Element size can be increased to full capacity of rail if using element type C or H. For element types see pages 718-729. For matching valves see pages 731-737. For indirect heating systems. Prices include radiator and wall fixings sets, valves extra.

Warranty

5

Year

Heating

All Electric

Dual-Fuel

Pair of Radiator Valves & Tails		
Code	£ Ex VAT	£ Inc VAT
54.0001	51.00	61.20

Radiator valves sold separately

THAMES

For element types see pages 718-729.



Our traditional range of radiators offer character and flair to ensure they fit in with your classic designs. These rails only be used on closed or indirect heating circuits, not on fresh water hot systems as they are of steel construction.

Thames - Chrome / Gloss White

Size H x W x D	Watts	BTU	Element Output	Element Type	Code	£ Ex VAT	£ Inc VAT
1444 x 630 x 187mm	945	3224	450W	A, A+, C, H	41.1004	690.00	828.00

Tappings are approx. 130mm less than the width of the rail and approx. 150mm off the wall.

FEATURES

- Tested to BS EN 442 standards
- 5 Year Manufacturer's Warranty*
- Can be single or dual fuel, or all electric
- * With conditions

Technical Tables & Drawings
Page 806-807



TECHNICAL INFORMATION

All measurements in Height by Width. Heat output based on $\Delta T60^{\circ}\text{C}$. Radiators that are electric only are restricted to the heat output of the elements. Element size can be increased to full capacity of rail if using element type C or H. For element types see pages 718-729. For matching valves see pages 731-737. For indirect heating systems. Prices include radiator and wall fixings sets, valves extra.

Warranty

5

Year

Heating

All Electric

Dual-Fuel

Pair of Radiator Valves & Tails		
Code	£ Ex VAT	£ Inc VAT
54.0001	51.00	61.20

Radiator valves sold separately

Traditional Range



For element types see pages 718-729.

Our traditional range of radiators offer character and flair to ensure they fit in with your classic designs. These rails should only be used on closed or indirect heating circuits, not on fresh water hot systems as they are of steel construction.

Coln - Chrome / Gloss White							
Size H x W x D	Watts	BTU	Element Output	Element Type	Code	£ Ex VAT	£ Inc VAT
510 x 680 x 260mm	704	2402	300W	A, A+, C, H	41.1002	467.00	560.40

On dual fuel installation, please use only Type A element.
Tappings approx. 4mm less than the width of the rail and approx. 50mm off the wall.

- FEATURES**
- Tested to BS EN 442 standards
 - 5 Year Manufacturer's Warranty*
 - Can be single or dual fuel, or all electric
 - * With conditions

Technical Tables & Drawings
Page 806-807

TECHNICAL INFORMATION

All measurements in Height by Width. Heat output based on $\Delta T60^{\circ}C$. Radiators that are electric only are restricted to the heat output of the elements. Element size can be increased to full capacity of rail if using element type C or H. For element types see pages 718-729. For matching valves see pages 731-737. For indirect heating systems. Prices include radiator and wall fixings sets, valves extra.

Warranty

5

Year

Heating

All Electric

Dual-Fuel

Pair of Radiator Valves & Tails		
Code	£ Ex VAT	£ Inc VAT
54.0001	51.00	61.20

Radiator valves sold separately



TWYVER

Our traditional range of radiators offer character and flair to ensure they fit in with your classic designs. These rails should only be used on closed or indirect heating circuits, not on fresh water hot systems as they are of steel construction.

Twyver - Chrome / Gloss White							
Size H x W x D	Watts	BTU	Element Output	Element Type	Code	£ Ex VAT	£ Inc VAT
952 x 684 x 158mm	580	1979	N/A	N/A	41.1011	637.00	764.40

Tappings are approx. 137mm less than the width of the rail and approx. 108mm off the wall.

- FEATURES**
- Tested to BS EN 442 standards.
 - 5 Year Manufacturer's Warranty*
 - Not suitable for elements
 - * With conditions

Technical Tables & Drawings
Page 806-807

TECHNICAL INFORMATION

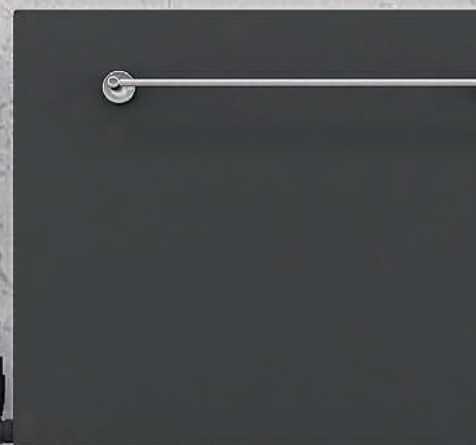
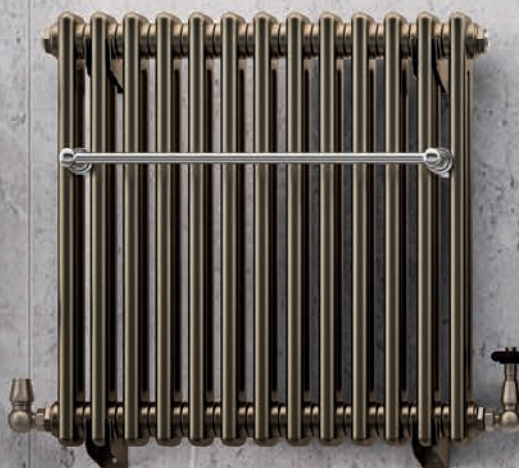
All measurements in Height by Width. Heat output based on $\Delta T60^{\circ}C$. For matching valves see pages 731-737. For indirect heating systems. Prices include radiator and wall fixings sets, valves extra.

Warranty

5

Year

Heating



Accessories, Elements & Valves

A huge variety of elements and valves to allow easy control of your radiators heat output, whilst looking stylish.

Complete the look with coloured pipe shrouds and vent caps to match your radiator colour.

To add extra functionality, towel hangers & robe hooks make daily life easy when warming towels.

Contents

Elements - NEW PRODUCTS	718-729
Crafton Control Plate, T Pieces, Elbows & Corner Dual Fuel TRV's	730
Valves, Contemporary & Traditional	732-733
Twin Thermostatic Valves	733
Manual Radiator Valves	734-735
Thermostatic Radiator Valves - NEW COLOUR	736-737
Multi-Rail Towel Hangers, Towel Hangers & Robe Hooks	738
Pipe Shrouds & Collar Kits	739
Multi Purpose Towel Hangers	740
Vent Caps, Round & D Shape	741



Elements

Build up your 'All Electric' Towel Rail/Radiator

Please note that all fluid filled rails are special order, elements will be fitted RH Side and are non-returnable.

Step 1

Choose your towel rail/radiator (Please make sure that you can see the "All Electric / Dual Fuel" icon on the chosen towel rail/radiator page).

Step 2

Refer to the "Element Output" column for the required output to suit the chosen towel rail/radiator.

Step 3

Choose which element type best suits your need from the "Element Type" column. Please check that the IP Rating is suitable for the site circumstances.

Step 4

For "All Electric" installation please add Fluid Filling.

Build up your 'Dual Fuel' Towel Rail/Radiator

Repeat Steps 1-3 as left. Please add your radiator valves and dual elbow where applicable.

Fluid filling is not required.

ELEMENT TYPE A+



Power	Length (mm)
100W	135
150W	170
300W	250
450W	350
600W	470
750W	590
900W	690
1000W	760
1200W	910

Vertical & horizontal installation

*(Not including appropriate element). I.P. rating 55. (Zone 2 and 3)
Please note all fluid filled rails are special order and are non-returnable.

FEATURES

- Elements use PTC self regulating technology providing excellent reliability and extended working life

TECHNICAL INFORMATION For an all electric towel rail/radiator, fluid filling must be purchased. Electric only elements will be fitted RH side unless otherwise specified. For dual fuel installations, purchase T piece separately. (Page 730)
Element should be rated at less than 60% of the radiator's output.

Element Type A+ Item A Required

Description	Code	£ Ex VAT	£ Inc VAT
100 watt element	8.016	61.00	73.20
150 watt element	8.017	61.00	73.20
300 watt element	8.018	64.00	76.80
450 watt element	8.019	69.00	82.80
600 watt element	8.020	90.00	108.00
750 watt element	8.021	93.00	111.60
900 watt element	8.022	97.00	116.40
1000 watt element	8.023	101.00	121.20
1200 watt element	8.024	104.00	124.80
Fluid filling for above rail (electric only)*	FF	117.00	140.40

*All Type A+ must be fitted with cover cap. (See below)

Element Type A+ Cover Caps Item B Required

Description	Code	£ Ex VAT	£ Inc VAT
White Cap	8.025	7.00	8.40
Chrome Cap	8.026	11.00	13.20
Grey Cap	8.027	11.00	13.20
Cappuccino Cap	8.028	11.00	13.20
Anthracite Cap	8.029	11.00	13.20
Black Cap	8.030	11.00	13.20



ELEMENT TYPE A



Dual Fuel Installation

Power	Length (mm)
100W	220
150W	220
300W	300
600W	620
900W	920

Vertical & horizontal installation

Element should be rated at less than 60% of the radiator's output.

Element Type A

Description	Code	£ Ex VAT	£ Inc VAT
100 watt element	8.009	63.00	75.60
150 watt element	8.004	63.00	75.60
300 watt element	8.001	66.00	79.20
600 watt element	8.002	93.00	111.60
900 watt element	8.003	115.00	138.00
Fluid filling for above rail (electric only)*	FF	117.00	140.40

*(Not including appropriate element). I.P. rating 55. (Zone 2 and 3)
Please note all fluid filled rails are special order and are non-returnable.

FEATURES

- Elements use PTC self regulating technology providing excellent reliability and extended working life

TECHNICAL INFORMATION For an all electric towel rail/radiator, fluid filling must be purchased. Electric only elements will be fitted RH side unless otherwise specified. For dual fuel installations, purchase T piece separately. (Page 730)

ELEMENT TYPE C WATER TEMPERATURE CONTROL



Including radiator temperature thermostat for horizontal installation and supplied with Chrome T piece

Power	Length (mm)
300W	340
600W	390
900W	440

Element Type C

Description	Code	£ Ex VAT	£ Inc VAT
Up to 300W element (inc rad stat) horizontal	8.300	178.00	213.60
300W to 600W element (inc rad stat) horizontal	8.301	187.00	224.40
600W to 900W element (inc rad stat) horizontal	8.302	192.00	230.40
Fluid filling for above rail (electric only)*	FF	117.00	140.40
Extension piece for type c element**	8.903	19.00	22.80

*(not including appropriate element). I.P. rating 54. (Zone 2 and 3).
Please note all fluid filled rails are special order and are non-returnable.
**Some traditional rails may require an extension piece for a type C element.

FEATURES


- Water temperature controlled Thermostat
- Towel drying
- Low running costs
- Simple installation
- Wide temperature range 10-60°C

TECHNICAL INFORMATION For an all electric towel rail/radiator, fluid filling must be purchased. Electric only elements will be fitted RH side unless otherwise specified.
Only suitable with Chrome T-Piece - 8.901 & Chrome Elbow - 41.3003.

Elements

ELEMENT TYPE D

WATER TEMPERATURE CONTROL



Including radiator temperature thermostat for vertical installation and Chrome T piece

Power	Length
300W	340
600W	390
900W	440

Element Type D			
Description	Code	£ Ex VAT	£ Inc VAT
Up to 300W element (inc rad stat) vertical	8.310	149.00	178.80
Up to 600W element (inc rad stat) vertical	8.311	157.00	188.40
Up to 900W element (inc rad stat) vertical	8.312	160.00	192.00
Fluid filling for above rail (electric only)*	FF	117.00	140.40

*(not including appropriate element). I.P. rating 54. (Zone 2 and 3)
Please note all fluid filled rails are special order and are **non-returnable**.

FEATURES


- Off season heating
- Water temperature controlled Thermostat

- Low running costs
- Simple installation
- Wide temperature range 10-60°C

TECHNICAL INFORMATION For an all electric towel rail/radiator, fluid filling must be purchased. Electric only elements will be fitted RH side unless otherwise specified. **Only suitable with Chrome T-Piece - 8.901 & Chrome Elbow - 41.3003.**

ELEMENT TYPE D WITH BOOST

WATER TEMPERATURE CONTROL



Turbo Boost Function

Including radiator temperature thermostat for vertical installation and T-Piece*

*Chrome, Matt Anthracite & Matt Black elements come with Chrome T-Piece.
*Gloss White & Matt White elements both come with white T-Piece.

Power	Length
300W	340
600W	390
900W	440

Chrome

Gloss White

Matt White

Matt Anthracite

Matt Black

Element Type D With Boost				
Description	Colour	Code	£ Ex VAT	£ Inc VAT
300W Type D Element with Boost	Chrome	8.320	153.00	183.60
600W Type D Element with Boost	Chrome	8.321	160.00	192.00
900W Type D Element with Boost	Chrome	8.322	165.00	198.00
300W Type D Element with Boost	Gloss White	8.323	153.00	183.60
600W Type D Element with Boost	Gloss White	8.324	160.00	192.00
900W Type D Element with Boost	Gloss White	8.325	165.00	198.00
300W Type D Element with Boost	Matt White	8.326	170.00	204.00
600W Type D Element with Boost	Matt White	8.327	178.00	213.60
900W Type D Element with Boost	Matt White	8.328	182.00	218.40
300W Type D Element with Boost	Matt Anthracite	8.329	170.00	204.00
600W Type D Element with Boost	Matt Anthracite	8.330	178.00	213.60
900W Type D Element with Boost	Matt Anthracite	8.331	182.00	218.40
300W Type D Element with Boost	Matt Black	8.332	170.00	204.00
600W Type D Element with Boost	Matt Black	8.333	178.00	213.60
900W Type D Element with Boost	Matt Black	8.334	182.00	218.40
Fluid filling for above rail (electric only)*	-	FF	117.00	140.40


*(not including appropriate element). I.P. rating 54. (Zone 2 and 3)
Please note all fluid filled rails are special order and are **non-returnable**.

- FEATURES**
- Turbo boost function (full heating - 1, 2 or 3 hours settings)
 - Anti-Freeze function
 - Water temperature controlled Thermostat
 - Smooth temperature adjustment (10°C to 65°C)
 - Low running costs
 - Simple installation

TECHNICAL INFORMATION For an all electric towel rail/radiator, fluid filling must be purchased. Electric only elements will be fitted RH side unless otherwise specified. **Only suitable with Chrome T-Piece - 8.901 & Chrome Elbow - 41.3003.**

ELEMENT TYPE E

WATER TEMPERATURE CONTROL



Including radiator temperature thermostat for vertical & horizontal installation

Power	Length (mm)
150W	370
300W	390
600W	750

Element Type E			
Description	Code	£ Ex VAT	£ Inc VAT
150w Type E Element White	8.034	143.00	171.60
300w Type E Element White	8.035	148.00	177.60
600w Type E Element White	8.036	157.00	188.40
150w Type E Element Chrome	8.031	153.00	183.60
300w Type E Element Chrome	8.032	160.00	192.00
600w Type E Element Chrome	8.033	179.00	214.80
Fluid filling for above rail (electric only)*	FF	117.00	140.40


*(Not including appropriate element). I.P. rating X4. (Zone 2 and 3)
Please note all fluid filled rails are special order and are **non-returnable**.

- FEATURES**
- Off season heating
 - Water temperature controlled Thermostat
 - Low running costs
 - Simple installation
 - Wide temperature range 10-60°C
 - For vertical and horizontal installation

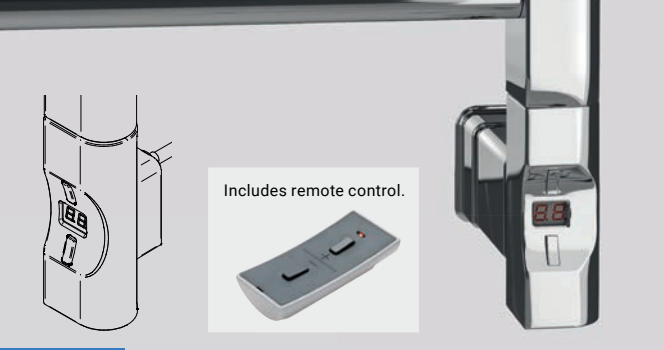
TECHNICAL INFORMATION For an all electric towel rail/radiator, fluid filling must be purchased. Electric only elements will be fitted RH side unless otherwise specified. **Only suitable with Chrome T-Piece - 8.901 & Chrome Elbow - 41.3003.**

Elements

**ELEMENT TYPE F
D SHAPE CAP**



**WATER OR ROOM
TEMPERATURE
CONTROL**



Includes remote control.

Power	Length (mm)
150W	300
300W	340
600W	390
900W	440
1200W	470

Turbo Boost Function

**For vertical installation only.
Digital temp control element
including remote control.**

Element Type F With D Shape Cap - Chrome

Description	Colour	Code	£ Ex VAT	£ Inc VAT
150W Type F Element with D Shape Cap	Chrome	8.335	191.00	229.20
300W Type F Element with D Shape Cap	Chrome	8.315	312.00	374.40
600W Type F Element with D Shape Cap	Chrome	8.316	316.00	379.20
900W Type F Element with D Shape Cap	Chrome	8.336	211.00	253.20
1200W Type F Element with D Shape Cap	Chrome	8.337	215.00	258.00
Spare Remote Controller for Type F Element		8.319	63.00	75.60
Fluid filling for above rail (electric only)*	-	FF	117.00	140.40

*(not including appropriate element). I.P. rating 54. (Zone 2 and 3)
Please note all fluid filled rails are special order and are **non-returnable**.

FEATURES

- Comes with remote control, that acts as ambient temperature sensor.
- Turbo boost function
- Off season heating
- Cable connection cover included
- Daily & weekly programmable
- Low running costs, towel drying
- Smooth temperature adjustment (10°C to 65°C)
- Thermostat can control either water temperature or ambient room temperature
- Open window detection
- Eco Design ready
- Anti-Freeze function

TECHNICAL INFORMATION

For an all electric towel rail/radiator, fluid filling must be purchased. Electric only elements will be fitted RH side unless otherwise specified. **Suitable for electric only installation.**



Gloss White

Element Type F With D Shape Cap - Gloss White

Description	Colour	Code	£ Ex VAT	£ Inc VAT
150W Type F Element with D Shape Cap	Gloss White	8.338	176.00	211.20
300W Type F Element with D Shape Cap	Gloss White	8.313	296.00	355.20
600W Type F Element with D Shape Cap	Gloss White	8.314	300.00	360.00
900W Type F Element with D Shape Cap	Gloss White	8.339	196.00	235.20
1200W Type F Element with D Shape Cap	Gloss White	8.340	201.00	241.20
Spare Remote Controller for Type F Element		8.319	63.00	75.60
Fluid filling for above rail (electric only)*	-	FF	117.00	140.40

*(not including appropriate element). I.P. rating 54. (Zone 2 and 3)
Please note all fluid filled rails are special order and are **non-returnable**.



Matt White

Element Type F With D Shape Cap - Matt White

Description	Colour	Code	£ Ex VAT	£ Inc VAT
150W Type F Element with D Shape Cap	Matt White	8.341	201.00	241.20
300W Type F Element with D Shape Cap	Matt White	8.342	205.00	246.00
600W Type F Element with D Shape Cap	Matt White	8.343	215.00	258.00
900W Type F Element with D Shape Cap	Matt White	8.344	219.00	262.80
1200W Type F Element with D Shape Cap	Matt White	8.345	224.00	268.80
Spare Remote Controller for Type F Element		8.319	63.00	75.60
Fluid filling for above rail (electric only)*	-	FF	117.00	140.40

*(not including appropriate element). I.P. rating 54. (Zone 2 and 3)
Please note all fluid filled rails are special order and are **non-returnable**.



Matt Anthracite

Element Type F With D Shape Cap - Matt Anthracite

Description	Colour	Code	£ Ex VAT	£ Inc VAT
150W Type F Element with D Shape Cap	Matt Anthracite	8.346	201.00	241.20
300W Type F Element with D Shape Cap	Matt Anthracite	8.317	307.00	368.40
600W Type F Element with D Shape Cap	Matt Anthracite	8.318	312.00	374.40
900W Type F Element with D Shape Cap	Matt Anthracite	8.347	219.00	262.80
1200W Type F Element with D Shape Cap	Matt Anthracite	8.348	224.00	268.80
Spare Remote Controller for Type F Element		8.319	63.00	75.60
Fluid filling for above rail (electric only)*	-	FF	117.00	140.40

*(not including appropriate element). I.P. rating 54. (Zone 2 and 3)
Please note all fluid filled rails are special order and are **non-returnable**.



Matt Black

Element Type F With D Shape Cap - Matt Black

Description	Colour	Code	£ Ex VAT	£ Inc VAT
150W Type F Element with D Shape Cap	Matt Black	8.349	201.00	241.20
300W Type F Element with D Shape Cap	Matt Black	8.350	205.00	246.00
600W Type F Element with D Shape Cap	Matt Black	8.351	215.00	258.00
900W Type F Element with D Shape Cap	Matt Black	8.352	219.00	262.80
1200W Type F Element with D Shape Cap	Matt Black	8.353	224.00	268.80
Spare Remote Controller for Type F Element		8.319	63.00	75.60
Fluid filling for above rail (electric only)*	-	FF	117.00	140.40

*(not including appropriate element). I.P. rating 54. (Zone 2 and 3)
Please note all fluid filled rails are special order and are **non-returnable**.

Elements

Element Type F With Round Cap - Chrome				
Description	Colour	Code	£ Ex VAT	£ Inc VAT
150W Type F Element with Round Cap	Chrome	8.354	191.00	229.20
300W Type F Element with Round Cap	Chrome	8.355	196.00	235.20
600W Type F Element with Round Cap	Chrome	8.356	205.00	246.00
900W Type F Element with Round Cap	Chrome	8.357	211.00	253.20
1200W Type F Element with Round Cap	Chrome	8.358	215.00	258.00
Spare Remote Controller for Type F Element		8.319	63.00	75.60
Fluid filling for above rail (electric only)*	-	FF	117.00	140.40

*(not including appropriate element). I.P. rating 54. (Zone 2 and 3)
Please note all fluid filled rails are special order and are **non-returnable**.


FEATURES

- Comes with remote control, that acts as ambient temperature sensor.
- Turbo boost function
- Off season heating
- Cable connection cover included
- Daily & weekly programmable
- Low running costs, towel drying
- Smooth temperature adjustment (10°C to 65°C)
- Thermostat can control either water temperature or ambient room temperature
- Open window detection
- Eco Design ready
- Anti-Freeze function


TECHNICAL INFORMATION

For an all electric towel rail/radiator, fluid filling must be purchased. Electric only elements will be fitted RH side unless otherwise specified. **Suitable for electric only installation.**


WATER OR ROOM TEMPERATURE CONTROL



ELEMENT TYPE F ROUND CAP



Includes remote control.



Power	Length (mm)
150W	300
300W	340
600W	390
900W	440
1200W	470

Turbo Boost Function

For vertical installation only. Digital temp control element including remote control.



Gloss White

Element Type F With Round Cap - Gloss White				
Description	Colour	Code	£ Ex VAT	£ Inc VAT
150W Type F Element with Round Cap	Gloss White	8.359	176.00	211.20
300W Type F Element with Round Cap	Gloss White	8.360	181.00	217.20
600W Type F Element with Round Cap	Gloss White	8.361	191.00	229.20
900W Type F Element with Round Cap	Gloss White	8.362	196.00	235.20
1200W Type F Element with Round Cap	Gloss White	8.363	201.00	241.20
Spare Remote Controller for Type F Element		8.319	63.00	75.60
Fluid filling for above rail (electric only)*	-	FF	117.00	140.40

*(not including appropriate element). I.P. rating 54. (Zone 2 and 3)
Please note all fluid filled rails are special order and are **non-returnable**.



Matt White

Element Type F With Round Cap - Matt White				
Description	Colour	Code	£ Ex VAT	£ Inc VAT
150W Type F Element with Round Cap	Matt White	8.364	201.00	241.20
300W Type F Element with Round Cap	Matt White	8.365	205.00	246.00
600W Type F Element with Round Cap	Matt White	8.366	215.00	258.00
900W Type F Element with Round Cap	Matt White	8.367	219.00	262.80
1200W Type F Element with Round Cap	Matt White	8.368	224.00	268.80
Spare Remote Controller for Type F Element		8.319	63.00	75.60
Fluid filling for above rail (electric only)*	-	FF	117.00	140.40

*(not including appropriate element). I.P. rating 54. (Zone 2 and 3)
Please note all fluid filled rails are special order and are **non-returnable**.



Matt Anthracite

Element Type F With Round Cap - Matt Anthracite				
Description	Colour	Code	£ Ex VAT	£ Inc VAT
150W Type F Element with Round Cap	Matt Anthracite	8.369	201.00	241.20
300W Type F Element with Round Cap	Matt Anthracite	8.370	205.00	246.00
600W Type F Element with Round Cap	Matt Anthracite	8.371	215.00	258.00
900W Type F Element with Round Cap	Matt Anthracite	8.372	219.00	262.80
1200W Type F Element with Round Cap	Matt Anthracite	8.373	224.00	268.80
Spare Remote Controller for Type F Element		8.319	63.00	75.60
Fluid filling for above rail (electric only)*	-	FF	117.00	140.40

*(not including appropriate element). I.P. rating 54. (Zone 2 and 3)
Please note all fluid filled rails are special order and are **non-returnable**.




Matt Black

Element Type F With Round Cap - Matt Black				
Description	Colour	Code	£ Ex VAT	£ Inc VAT
150W Type F Element with Round Cap	Matt Black	8.374	201.00	241.20
300W Type F Element with Round Cap	Matt Black	8.375	205.00	246.00
600W Type F Element with Round Cap	Matt Black	8.376	215.00	258.00
900W Type F Element with Round Cap	Matt Black	8.377	219.00	262.80
1200W Type F Element with Round Cap	Matt Black	8.378	224.00	268.80
Spare Remote Controller for Type F Element		8.319	63.00	75.60
Fluid filling for above rail (electric only)*	-	FF	117.00	140.40


*(not including appropriate element). I.P. rating 54. (Zone 2 and 3)
Please note all fluid filled rails are special order and are **non-returnable**.

Elements


**ELEMENT TYPE F
SQUARE CAP**



**WATER OR ROOM
TEMPERATURE
CONTROL**



Includes remote control.



Power	Length (mm)
150W	300
300W	340
600W	390
900W	440
1200W	470

Turbo Boost Function

**For vertical installation only.
Digital temp control element
including remote control.**

Element Type F With Square Cap - Chrome				
Description	Colour	Code	£ Ex VAT	£ Inc VAT
150W Type F Element with Square Cap	Chrome	8.379	191.00	229.20
300W Type F Element with Square Cap	Chrome	8.380	196.00	235.20
600W Type F Element with Square Cap	Chrome	8.381	205.00	246.00
900W Type F Element with Square Cap	Chrome	8.382	211.00	253.20
1200W Type F Element with Square Cap	Chrome	8.383	215.00	258.00
Spare Remote Controller for Type F Element		8.319	63.00	75.60
Fluid filling for above rail (electric only)*	-	FF	117.00	140.40

*(not including appropriate element). I.P. rating 54. (Zone 2 and 3)
Please note all fluid filled rails are special order and are **non-returnable**.

- FEATURES**
- Comes with remote control, that acts as ambient temperature sensor.
 - Turbo boost function
 - Off season heating
 - Cable connection cover included
 - Daily & weekly programmable
 - Low running costs, towel drying
 - Smooth temperature adjustment (10°C to 65°C)
 - Thermostat can control either water temperature or ambient room temperature
 - Open window detection
 - Eco Design ready
 - Anti-Freeze function

TECHNICAL INFORMATION

For an all electric towel rail/radiator, fluid filling must be purchased. Electric only elements will be fitted RH side unless otherwise specified. **Suitable for electric only installation.**



Gloss White

Element Type F With Square Cap - Gloss White

Description	Colour	Code	£ Ex VAT	£ Inc VAT
150W Type F Element with Square Cap	Gloss White	8.384	176.00	211.20
300W Type F Element with Square Cap	Gloss White	8.385	181.00	217.20
600W Type F Element with Square Cap	Gloss White	8.386	191.00	229.20
900W Type F Element with Square Cap	Gloss White	8.387	196.00	235.20
1200W Type F Element with Square Cap	Gloss White	8.388	201.00	241.20
Spare Remote Controller for Type F Element		8.319	63.00	75.60
Fluid filling for above rail (electric only)*	-	FF	117.00	140.40

*(not including appropriate element). I.P. rating 54. (Zone 2 and 3)
Please note all fluid filled rails are special order and are **non-returnable**.



Matt White

Element Type F With Square Cap - Matt White

Description	Colour	Code	£ Ex VAT	£ Inc VAT
150W Type F Element with Square Cap	Matt White	8.389	201.00	241.20
300W Type F Element with Square Cap	Matt White	8.390	205.00	246.00
600W Type F Element with Square Cap	Matt White	8.391	215.00	258.00
900W Type F Element with Square Cap	Matt White	8.392	219.00	262.80
1200W Type F Element with Square Cap	Matt White	8.393	224.00	268.80
Spare Remote Controller for Type F Element		8.319	63.00	75.60
Fluid filling for above rail (electric only)*	-	FF	117.00	140.40

*(not including appropriate element). I.P. rating 54. (Zone 2 and 3)
Please note all fluid filled rails are special order and are **non-returnable**.



Matt Anthracite

Element Type F With Square Cap - Matt Anthracite

Description	Colour	Code	£ Ex VAT	£ Inc VAT
150W Type F Element with Square Cap	Matt Anthracite	8.394	201.00	241.20
300W Type F Element with Square Cap	Matt Anthracite	8.395	205.00	246.00
600W Type F Element with Square Cap	Matt Anthracite	8.396	215.00	258.00
900W Type F Element with Square Cap	Matt Anthracite	8.397	219.00	262.80
1200W Type F Element with Square Cap	Matt Anthracite	8.398	224.00	268.80
Spare Remote Controller for Type F Element		8.319	63.00	75.60
Fluid filling for above rail (electric only)*	-	FF	117.00	140.40

*(not including appropriate element). I.P. rating 54. (Zone 2 and 3)
Please note all fluid filled rails are special order and are **non-returnable**.



Matt Black

Element Type F With Square Cap - Matt Black

Description	Colour	Code	£ Ex VAT	£ Inc VAT
150W Type F Element with Square Cap	Matt Black	8.399	201.00	241.20
300W Type F Element with Square Cap	Matt Black	8.400	205.00	246.00
600W Type F Element with Square Cap	Matt Black	8.401	215.00	258.00
900W Type F Element with Square Cap	Matt Black	8.402	219.00	262.80
1200W Type F Element with Square Cap	Matt Black	8.403	224.00	268.80
Spare Remote Controller for Type F Element		8.319	63.00	75.60
Fluid filling for above rail (electric only)*	-	FF	117.00	140.40

*(not including appropriate element). I.P. rating 54. (Zone 2 and 3)
Please note all fluid filled rails are special order and are **non-returnable**.

Elements

Element Type F WiFi With D Shape Cap - Chrome

Description	Colour	Code	£ Ex VAT	£ Inc VAT
150W Type F Element Wi-Fi with D Shape Cap	Chrome	8.479	281.00	337.20
300W Type F Element Wi-Fi with D Shape Cap	Chrome	8.480	287.00	344.40
600W Type F Element Wi-Fi with D Shape Cap	Chrome	8.481	291.00	349.20
900W Type F Element Wi-Fi with D Shape Cap	Chrome	8.482	295.00	354.00
1200W Type F Element Wi-Fi with D Shape Cap	Chrome	8.483	301.00	361.20
Spare Remote Controller for Type F Element		8.319	63.00	75.60
Fluid filling for above rail (electric only)*	-	FF	117.00	140.40

*(not including appropriate element). I.P. rating 54. (Zone 2 and 3)
Please note all fluid filled rails are special order and are **non-returnable**.

FEATURES

- Wi-Fi & App Control.
- Comes with remote control, that acts as ambient temperature sensor.
- Turbo boost function.
- Off season heating.
- Cable connection cover included.
- Anti-Freeze function.
- Daily & weekly programmable.
- Low running costs, towel drying.
- Smooth temperature adjustment (10°C - 65°C)
- Thermostat can control either water temperature or ambient room temperature.
- Open window detection .
- Anti-Freeze function.
- Eco Design ready

TECHNICAL INFORMATION


For an all electric towel rail/radiator, fluid filling must be purchased. Electric only elements will be fitted RH side unless otherwise specified. **Suitable for electric only installation.**

WATER OR ROOM TEMPERATURE CONTROL




ELEMENT TYPE F WI-FI D SHAPE CAP

NEW



Includes remote control.



Power	Length (mm)
150W	300
300W	340
600W	390
900W	440
1200W	470

Turbo Boost Function

For vertical installation only. Digital temp control element including remote control.

WI-FI SMARTPHONE APPLICATION

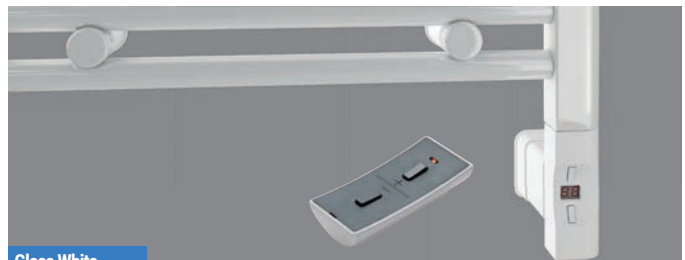
Your Wi-Fi Element has the option of programming the air temperature in the daily and weekly cycles and meets the requirements of the EcoDesign Directive (Lot 20) is compatible with the EcoDirective 2018 for electric elements.



Model is distinguished by modern design, equipped with an electronic controller with an LED display. Additionally, the model is equipped with a cover covering the electrical connection.

Download the **"SUPLA"** app from **Google Play Store** or **Apple App Store**.

Video instructions for the smartphone app available on our website.



Gloss White

Element Type F WiFi With D Shape Cap - Gloss White

Description	Colour	Code	£ Ex VAT	£ Inc VAT
150W Type F Element Wi-Fi with D Shape Cap	Gloss White	8.484	268.00	321.60
300W Type F Element Wi-Fi with D Shape Cap	Gloss White	8.485	274.00	328.80
600W Type F Element Wi-Fi with D Shape Cap	Gloss White	8.486	278.00	333.60
900W Type F Element Wi-Fi with D Shape Cap	Gloss White	8.487	287.00	344.40
1200W Type F Element Wi-Fi with D Shape Cap	Gloss White	8.488	293.00	351.60
Spare Remote Controller for Type F Element		8.319	63.00	75.60
Fluid filling for above rail (electric only)*	-	FF	117.00	140.40

*(not including appropriate element). I.P. rating 54. (Zone 2 and 3)
Please note all fluid filled rails are special order and are **non-returnable**.



Matt Anthracite

Element Type F WiFi With D Shape Cap - Matt Anthracite

Description	Colour	Code	£ Ex VAT	£ Inc VAT
150W Type F Element Wi-Fi with D Shape Cap	Matt Anthracite	8.489	290.00	348.00
300W Type F Element Wi-Fi with D Shape Cap	Matt Anthracite	8.490	296.00	355.20
600W Type F Element Wi-Fi with D Shape Cap	Matt Anthracite	8.491	300.00	360.00
900W Type F Element Wi-Fi with D Shape Cap	Matt Anthracite	8.492	309.00	370.80
1200W Type F Element Wi-Fi with D Shape Cap	Matt Anthracite	8.493	315.00	378.00
Spare Remote Controller for Type F Element		8.319	63.00	75.60
Fluid filling for above rail (electric only)*	-	FF	117.00	140.40

*(not including appropriate element). I.P. rating 54. (Zone 2 and 3)
Please note all fluid filled rails are special order and are **non-returnable**.



Matt Black

Element Type F WiFi With D Shape Cap - Matt Black

Description	Colour	Code	£ Ex VAT	£ Inc VAT
150W Type F Element Wi-Fi with D Shape Cap	Matt Black	8.494	290.00	348.00
300W Type F Element Wi-Fi with D Shape Cap	Matt Black	8.495	296.00	355.20
600W Type F Element Wi-Fi with D Shape Cap	Matt Black	8.496	300.00	360.00
900W Type F Element Wi-Fi with D Shape Cap	Matt Black	8.497	309.00	370.80
1200W Type F Element Wi-Fi with D Shape Cap	Matt Black	8.498	315.00	378.00
Spare Remote Controller for Type F Element		8.319	63.00	75.60
Fluid filling for above rail (electric only)*	-	FF	117.00	140.40

*(not including appropriate element). I.P. rating 54. (Zone 2 and 3)
Please note all fluid filled rails are special order and are **non-returnable**.

Elements

ELEMENT TYPE F
WI-FI
ROUND CAP

WATER OR ROOM
TEMPERATURE
CONTROL

ECO DESIGN
READY

NEW

Wi-Fi
2.4 GHz

Includes remote control.

Chrome

Power	Length (mm)
150W	300
300W	340
600W	390
900W	440
1200W	470

Turbo Boost Function

For vertical installation only. Digital temp control element including remote control.

Gloss White

Element Type F Wi-Fi With Round Cap - Gloss White

Description	Colour	Code	£ Ex VAT	£ Inc VAT
150W Type F Element Wi-Fi with Round Cap	Gloss White	8.504	268.00	321.60
300W Type F Element Wi-Fi with Round Cap	Gloss White	8.505	274.00	328.80
600W Type F Element Wi-Fi with Round Cap	Gloss White	8.506	278.00	333.60
900W Type F Element Wi-Fi with Round Cap	Gloss White	8.507	287.00	344.40
1200W Type F Element Wi-Fi with Round Cap	Gloss White	8.508	293.00	351.60
Spare Remote Controller for Type F Element		8.319	63.00	75.60
Fluid filling for above rail (electric only)*	-	FF	117.00	140.40

*(not including appropriate element). I.P. rating 54. (Zone 2 and 3)
Please note all fluid filled rails are special order and are **non-returnable**.

Matt Anthracite

Element Type F Wi-Fi With Round Cap - Matt Anthracite

Description	Colour	Code	£ Ex VAT	£ Inc VAT
150W Type F Element Wi-Fi with Round Cap	Matt Anthracite	8.509	290.00	348.00
300W Type F Element Wi-Fi with Round Cap	Matt Anthracite	8.510	296.00	355.20
600W Type F Element Wi-Fi with Round Cap	Matt Anthracite	8.511	300.00	360.00
900W Type F Element Wi-Fi with Round Cap	Matt Anthracite	8.512	309.00	370.80
1200W Type F Element Wi-Fi with Round Cap	Matt Anthracite	8.513	315.00	378.00
Spare Remote Controller for Type F Element		8.319	63.00	75.60
Fluid filling for above rail (electric only)*	-	FF	117.00	140.40

*(not including appropriate element). I.P. rating 54. (Zone 2 and 3)
Please note all fluid filled rails are special order and are **non-returnable**.

Element Type F Wi-Fi With Round Cap - Chrome

Description	Colour	Code	£ Ex VAT	£ Inc VAT
150W Type F Element Wi-Fi with Round Cap	Chrome	8.499	281.00	337.20
300W Type F Element Wi-Fi with Round Cap	Chrome	8.500	287.00	344.40
600W Type F Element Wi-Fi with Round Cap	Chrome	8.501	291.00	349.20
900W Type F Element Wi-Fi with Round Cap	Chrome	8.502	295.00	354.00
1200W Type F Element Wi-Fi with Round Cap	Chrome	8.503	301.00	361.20
Spare Remote Controller for Type F Element		8.319	63.00	75.60
Fluid filling for above rail (electric only)*	-	FF	117.00	140.40

*(not including appropriate element). I.P. rating 54. (Zone 2 and 3)
Please note all fluid filled rails are special order and are **non-returnable**.

FEATURES

- Wi-Fi & App Control.
- Comes with remote control, that acts as ambient temperature sensor.
- Turbo boost function.
- Off season heating.
- Cable connection cover included.
- Anti-Freeze function.
- Daily & weekly programmable.
- Low running costs, towel drying.
- Smooth temperature adjustment (10°C - 65°C)
- Thermostat can control either water temperature or ambient room temperature.
- Open window detection .
- Anti-Freeze function.
- Eco Design ready

TECHNICAL INFORMATION

For an all electric towel rail/radiator, fluid filling must be purchased. Electric only elements will be fitted RH side unless otherwise specified. **Suitable for electric only installation.**

WI-FI SMARTPHONE APPLICATION

Your WIFI Element has the option of programming the air temperature in the daily and weekly cycles and meets the requirements of the EcoDesign Directive (Lot 20) is compatible with the EcoDirective 2018 for electric elements.

Model is distinguished by modern design, equipped with an electronic controller with an LED display. Additionally, the model is equipped with a cover covering the electrical connection.

Download the "SUPLA" app from Google Play Store or Apple App Store.

Video instructions for the smartphone app available on our website.

Wi-Fi
2.4 GHz

Matt Black

Element Type F Wi-Fi With Round Cap - Matt Black

Description	Colour	Code	£ Ex VAT	£ Inc VAT
150W Type F Element Wi-Fi with Round Cap	Matt Black	8.514	290.00	348.00
300W Type F Element Wi-Fi with Round Cap	Matt Black	8.515	296.00	355.20
600W Type F Element Wi-Fi with Round Cap	Matt Black	8.516	300.00	360.00
900W Type F Element Wi-Fi with Round Cap	Matt Black	8.517	309.00	370.80
1200W Type F Element Wi-Fi with Round Cap	Matt Black	8.518	315.00	378.00
Spare Remote Controller for Type F Element		8.319	63.00	75.60
Fluid filling for above rail (electric only)*	-	FF	117.00	140.40

*(not including appropriate element). I.P. rating 54. (Zone 2 and 3)
Please note all fluid filled rails are special order and are **non-returnable**.

Elements

Element Type F WiFi With Square Cap - Chrome				
Description	Colour	Code	£ Ex VAT	£ Inc VAT
150W Type F Element Wi-Fi with Square Cap	Chrome	8.519	281.00	337.20
300W Type F Element Wi-Fi with Square Cap	Chrome	8.520	287.00	344.40
600W Type F Element Wi-Fi with Square Cap	Chrome	8.521	291.00	349.20
900W Type F Element Wi-Fi with Square Cap	Chrome	8.522	295.00	354.00
1200W Type F Element Wi-Fi with Square Cap	Chrome	8.523	301.00	361.20
Spare Remote Controller for Type F Element		8.319	63.00	75.60
Fluid filling for above rail (electric only)*	-	FF	117.00	140.40

*(not including appropriate element). I.P. rating 54. (Zone 2 and 3)
Please note all fluid filled rails are special order and are **non-returnable**.

FEATURES

- Wi-Fi & App Control.
- Comes with remote control, that acts as ambient temperature sensor.
- Turbo boost function.
- Off season heating.
- Cable connection cover included.
- Anti-Freeze function.
- Daily & weekly programmable.
- Low running costs, towel drying.
- Smooth temperature adjustment (10°C - 65°C)
- Thermostat can control either water temperature or ambient room temperature.
- Open window detection .
- Anti-Freeze function.
- Eco Design ready

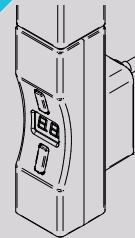
TECHNICAL INFORMATION

For an all electric towel rail/radiator, fluid filling must be purchased. Electric only elements will be fitted RH side unless otherwise specified. **Suitable for electric only installation.**

WATER OR ROOM TEMPERATURE CONTROL



ELEMENT TYPE F WI-FI SQUARE CAP



Includes remote control.



Chrome

Power	Length (mm)
150W	300
300W	340
600W	390
900W	440
1200W	470

Turbo Boost Function

For vertical installation only. Digital temp control element including remote control.

WI-FI SMARTPHONE APPLICATION

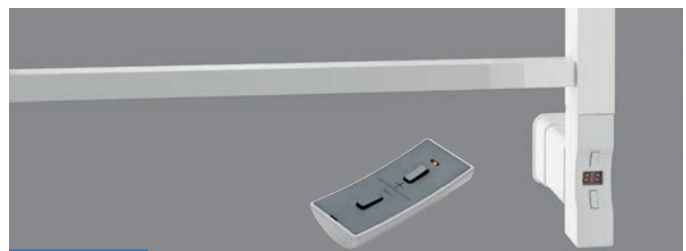
Your WiFi Element has the option of programming the air temperature in the daily and weekly cycles and meets the requirements of the EcoDesign Directive (Lot 20) is compatible with the EcoDirective 2018 for electric elements.



Model is distinguished by modern design, equipped with an electronic controller with an LED display. Additionally, the model is equipped with a cover covering the electrical connection.

Download the **"SUPLA"** app from **Google Play Store** or **Apple App Store**.

Video instructions for the smartphone app available on our website.



Gloss White

Element Type F WiFi With Square Cap - Gloss White

Description	Colour	Code	£ Ex VAT	£ Inc VAT
150W Type F Element Wi-Fi with Square Cap	Gloss White	8.524	268.00	321.60
300W Type F Element Wi-Fi with Square Cap	Gloss White	8.525	274.00	328.80
600W Type F Element Wi-Fi with Square Cap	Gloss White	8.526	278.00	333.60
900W Type F Element Wi-Fi with Square Cap	Gloss White	8.527	287.00	344.40
1200W Type F Element Wi-Fi with Square Cap	Gloss White	8.528	293.00	351.60
Spare Remote Controller for Type F Element		8.319	63.00	75.60
Fluid filling for above rail (electric only)*	-	FF	117.00	140.40

*(not including appropriate element). I.P. rating 54. (Zone 2 and 3)
Please note all fluid filled rails are special order and are **non-returnable**.



Matt Anthracite

Element Type F WiFi With Square Cap - Matt Anthracite

Description	Colour	Code	£ Ex VAT	£ Inc VAT
150W Type F Element Wi-Fi with Square Cap	Matt Anthracite	8.529	290.00	348.00
300W Type F Element Wi-Fi with Square Cap	Matt Anthracite	8.530	296.00	355.20
600W Type F Element Wi-Fi with Square Cap	Matt Anthracite	8.531	300.00	360.00
900W Type F Element Wi-Fi with Square Cap	Matt Anthracite	8.532	309.00	370.80
1200W Type F Element Wi-Fi with Square Cap	Matt Anthracite	8.533	315.00	378.00
Spare Remote Controller for Type F Element		8.319	63.00	75.60
Fluid filling for above rail (electric only)*	-	FF	117.00	140.40

*(not including appropriate element). I.P. rating 54. (Zone 2 and 3)
Please note all fluid filled rails are special order and are **non-returnable**.



Matt Black


Element Type F WiFi With Square Cap - Matt Black

Description	Colour	Code	£ Ex VAT	£ Inc VAT
150W Type F Element Wi-Fi with Square Cap	Matt Black	8.534	290.00	348.00
300W Type F Element Wi-Fi with Square Cap	Matt Black	8.535	296.00	355.20
600W Type F Element Wi-Fi with Square Cap	Matt Black	8.536	300.00	360.00
900W Type F Element Wi-Fi with Square Cap	Matt Black	8.537	309.00	370.80
1200W Type F Element Wi-Fi with Square Cap	Matt Black	8.538	315.00	378.00
Spare Remote Controller for Type F Element		8.319	63.00	75.60
Fluid filling for above rail (electric only)*	-	FF	117.00	140.40

*(not including appropriate element). I.P. rating 54. (Zone 2 and 3)
Please note all fluid filled rails are special order and are **non-returnable**.

Elements

ELEMENT TYPE G WITH D SHAPE CAP **WATER TEMPERATURE CONTROL**



Chrome

Power	Length (mm)
150W	300
300W	340
600W	390
900W	440
1200W	470

Turbo Boost Function

For vertical installation only. Digital temp control element.

Element Type G With D Shape Cap - Chrome

Description	Colour	Code	£ Ex VAT	£ Inc VAT
150W Type G Element with D Shape Cap	Chrome	8.404	162.00	194.40
300W Type G Element with D Shape Cap	Chrome	8.405	168.00	201.60
600W Type G Element with D Shape Cap	Chrome	8.406	176.00	211.20
900W Type G Element with D Shape Cap	Chrome	8.407	185.00	222.00
1200W Type G Element with D Shape Cap	Chrome	8.408	191.00	229.20
Fluid filling for above rail (electric only)*	-	FF	117.00	140.40

*(not including appropriate element). I.P. rating 54. (Zone 2 and 3)
Please note all fluid filled rails are special order and are **non-returnable**.

- FEATURES**
- Timer 1-9 hour
 - Turbo boost function
 - Off season heating
 - Cable connection cover included
 - Anti-Freeze function
 - Maintains previously selected temperature for a period of 1-9 hours
 - Low running costs, towel drying
 - Smooth temperature adjustment (10°C to 65°C)
 - Water temperature controlled Thermostat

TECHNICAL INFORMATION

For an all electric towel rail/radiator, fluid filling must be purchased. Electric only elements will be fitted RH side unless otherwise specified. **Suitable for electric only installation.**



Gloss White

Element Type G With D Shape Cap - Gloss White

Description	Colour	Code	£ Ex VAT	£ Inc VAT
150W Type G Element with D Shape Cap	Gloss White	8.409	153.00	183.60
300W Type G Element with D Shape Cap	Gloss White	8.410	158.00	189.60
600W Type G Element with D Shape Cap	Gloss White	8.411	168.00	201.60
900W Type G Element with D Shape Cap	Gloss White	8.412	172.00	206.40
1200W Type G Element with D Shape Cap	Gloss White	8.413	176.00	211.20
Fluid filling for above rail (electric only)*	-	FF	117.00	140.40

*(not including appropriate element). I.P. rating 54. (Zone 2 and 3)
Please note all fluid filled rails are special order and are **non-returnable**.



Matt White

Element Type G With D Shape Cap - Matt White

Description	Colour	Code	£ Ex VAT	£ Inc VAT
150W Type G Element with D Shape Cap	Matt White	8.414	176.00	211.20
300W Type G Element with D Shape Cap	Matt White	8.415	181.00	217.20
600W Type G Element with D Shape Cap	Matt White	8.416	191.00	229.20
900W Type G Element with D Shape Cap	Matt White	8.417	196.00	235.20
1200W Type G Element with D Shape Cap	Matt White	8.418	201.00	241.20
Fluid filling for above rail (electric only)*	-	FF	117.00	140.40

*(not including appropriate element). I.P. rating 54. (Zone 2 and 3)
Please note all fluid filled rails are special order and are **non-returnable**.



Matt Anthracite

Element Type G With D Shape Cap - Matt Anthracite

Description	Colour	Code	£ Ex VAT	£ Inc VAT
150W Type G Element with D Shape Cap	Matt Anthracite	8.419	176.00	211.20
300W Type G Element with D Shape Cap	Matt Anthracite	8.420	181.00	217.20
600W Type G Element with D Shape Cap	Matt Anthracite	8.421	191.00	229.20
900W Type G Element with D Shape Cap	Matt Anthracite	8.422	196.00	235.20
1200W Type G Element with D Shape Cap	Matt Anthracite	8.423	201.00	241.20
Fluid filling for above rail (electric only)*	-	FF	117.00	140.40

*(not including appropriate element). I.P. rating 54. (Zone 2 and 3)
Please note all fluid filled rails are special order and are **non-returnable**.



Matt Black

Element Type G With D Shape Cap - Matt Black

Description	Colour	Code	£ Ex VAT	£ Inc VAT
150W Type G Element with D Shape Cap	Matt Black	8.424	176.00	211.20
300W Type G Element with D Shape Cap	Matt Black	8.425	181.00	217.20
600W Type G Element with D Shape Cap	Matt Black	8.426	191.00	229.20
900W Type G Element with D Shape Cap	Matt Black	8.427	196.00	235.20
1200W Type G Element with D Shape Cap	Matt Black	8.428	201.00	241.20
Fluid filling for above rail (electric only)*	-	FF	117.00	140.40

*(not including appropriate element). I.P. rating 54. (Zone 2 and 3)
Please note all fluid filled rails are special order and are **non-returnable**.

Elements

Element Type G With Round Cap - Chrome

Description	Colour	Code	£ Ex VAT	£ Inc VAT
150W Type G Element with Round Cap	Chrome	8.429	162.00	194.40
300W Type G Element with Round Cap	Chrome	8.430	168.00	201.60
600W Type G Element with Round Cap	Chrome	8.431	176.00	211.20
900W Type G Element with Round Cap	Chrome	8.432	185.00	222.00
1200W Type G Element with Round Cap	Chrome	8.433	191.00	229.20
Fluid filling for above rail (electric only)*	-	FF	117.00	140.40

*(not including appropriate element). I.P. rating 54. (Zone 2 and 3)
Please note all fluid filled rails are special order and are **non-returnable**.

FEATURES

- Timer 1-9 hour
- Turbo boost function
- Off season heating
- Cable connection cover included
- Anti-Freeze function
- Maintains previously selected temperature for a period of 1-9 hours
- Low running costs, towel drying
- Smooth temperature adjustment (10°C to 65°C)
- Water temperature controlled Thermostat

TECHNICAL INFORMATION

For an all electric towel rail/radiator, fluid filling must be purchased. Electric only elements will be fitted RH side unless otherwise specified. **Suitable for electric only installation.**

ELEMENT TYPE G WITH ROUND CAP WATER TEMPERATURE CONTROL



Chrome

Power	Length (mm)
150W	300
300W	340
600W	390
900W	440
1200W	470

Turbo Boost Function

For vertical installation only.
Digital temp control element.



Gloss White

Element Type G With Round Cap - Gloss White

Description	Colour	Code	£ Ex VAT	£ Inc VAT
150W Type G Element with Round Cap	Gloss White	8.434	153.00	183.60
300W Type G Element with Round Cap	Gloss White	8.435	158.00	189.60
600W Type G Element with Round Cap	Gloss White	8.436	168.00	201.60
900W Type G Element with Round Cap	Gloss White	8.437	172.00	206.40
1200W Type G Element with Round Cap	Gloss White	8.438	176.00	211.20
Fluid filling for above rail (electric only)*	-	FF	117.00	140.40

*(not including appropriate element). I.P. rating 54. (Zone 2 and 3)
Please note all fluid filled rails are special order and are **non-returnable**.



Matt White

Element Type G With Round Cap - Matt White

Description	Colour	Code	£ Ex VAT	£ Inc VAT
150W Type G Element with Round Cap	Matt White	8.439	176.00	211.20
300W Type G Element with Round Cap	Matt White	8.440	181.00	217.20
600W Type G Element with Round Cap	Matt White	8.441	191.00	229.20
900W Type G Element with Round Cap	Matt White	8.442	196.00	235.20
1200W Type G Element with Round Cap	Matt White	8.443	201.00	241.20
Fluid filling for above rail (electric only)*	-	FF	117.00	140.40

*(not including appropriate element). I.P. rating 54. (Zone 2 and 3)
Please note all fluid filled rails are special order and are **non-returnable**.



Matt Anthracite

Element Type G With Round Cap - Matt Anthracite

Description	Colour	Code	£ Ex VAT	£ Inc VAT
150W Type G Element with Round Cap	Matt Anthracite	8.444	176.00	211.20
300W Type G Element with Round Cap	Matt Anthracite	8.445	181.00	217.20
600W Type G Element with Round Cap	Matt Anthracite	8.446	191.00	229.20
900W Type G Element with Round Cap	Matt Anthracite	8.447	196.00	235.20
1200W Type G Element with Round Cap	Matt Anthracite	8.448	201.00	241.20
Fluid filling for above rail (electric only)*	-	FF	117.00	140.40

*(not including appropriate element). I.P. rating 54. (Zone 2 and 3)
Please note all fluid filled rails are special order and are **non-returnable**.



Matt Black

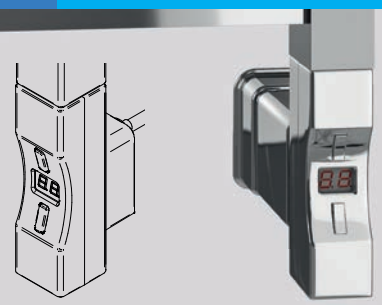
Element Type G With Round Cap - Matt Black

Description	Colour	Code	£ Ex VAT	£ Inc VAT
150W Type G Element with Round Cap	Matt Black	8.449	176.00	211.20
300W Type G Element with Round Cap	Matt Black	8.450	181.00	217.20
600W Type G Element with Round Cap	Matt Black	8.451	191.00	229.20
900W Type G Element with Round Cap	Matt Black	8.452	196.00	235.20
1200W Type G Element with Round Cap	Matt Black	8.453	201.00	241.20
Fluid filling for above rail (electric only)*	-	FF	117.00	140.40

*(not including appropriate element). I.P. rating 54. (Zone 2 and 3)
Please note all fluid filled rails are special order and are **non-returnable**.

Elements

ELEMENT TYPE G WITH SQUARE CAP
WATER TEMPERATURE CONTROL




Chrome

Power	Length (mm)
150W	300
300W	340
600W	390
900W	440
1200W	470

Turbo Boost Function

For vertical installation only. Digital temp control element.

Gloss White




Element Type G With Square Cap - Gloss White

Description	Colour	Code	£ Ex VAT	£ Inc VAT
150W Type G Element with Square Cap	Gloss White	8.459	153.00	183.60
300W Type G Element with Square Cap	Gloss White	8.460	158.00	189.60
600W Type G Element with Square Cap	Gloss White	8.461	168.00	201.60
900W Type G Element with Square Cap	Gloss White	8.462	172.00	206.40
1200W Type G Element with Square Cap	Gloss White	8.463	176.00	211.20
Fluid filling for above rail (electric only)*	-	FF	117.00	140.40

*(not including appropriate element). I.P. rating 54. (Zone 2 and 3)
Please note all fluid filled rails are special order and are **non-returnable**.

Matt Anthracite



Element Type G With Square Cap - Matt Anthracite

Description	Colour	Code	£ Ex VAT	£ Inc VAT
150W Type G Element with Square Cap	Matt Anthracite	8.469	176.00	211.20
300W Type G Element with Square Cap	Matt Anthracite	8.470	181.00	217.20
600W Type G Element with Square Cap	Matt Anthracite	8.471	191.00	229.20
900W Type G Element with Square Cap	Matt Anthracite	8.472	196.00	235.20
1200W Type G Element with Square Cap	Matt Anthracite	8.473	201.00	241.20
Fluid filling for above rail (electric only)*	-	FF	117.00	140.40

*(not including appropriate element). I.P. rating 54. (Zone 2 and 3)
Please note all fluid filled rails are special order and are **non-returnable**.

Element Type G With Square Cap - Chrome

Description	Colour	Code	£ Ex VAT	£ Inc VAT
150W Type G Element with Square Cap	Chrome	8.454	162.00	194.40
300W Type G Element with Square Cap	Chrome	8.455	168.00	201.60
600W Type G Element with Square Cap	Chrome	8.456	176.00	211.20
900W Type G Element with Square Cap	Chrome	8.457	185.00	222.00
1200W Type G Element with Square Cap	Chrome	8.458	191.00	229.20
Fluid filling for above rail (electric only)*	-	FF	117.00	140.40

*(not including appropriate element). I.P. rating 54. (Zone 2 and 3)
Please note all fluid filled rails are special order and are **non-returnable**.

FEATURES


- Timer 1-9 hour
- Turbo boost function
- Off season heating
- Cable connection cover included
- Anti-Freeze function

- Maintains previously selected temperature for a period of 1-9 hours
- Low running costs, towel drying
- Smooth temperature adjustment (10°C to 65°C)
- Water temperature controlled Thermostat

TECHNICAL INFORMATION

For an all electric towel rail/radiator, fluid filling must be purchased. Electric only elements will be fitted RH side unless otherwise specified. **Suitable for electric only installation.**

Matt White




Element Type G With Square Cap - Matt White

Description	Colour	Code	£ Ex VAT	£ Inc VAT
150W Type G Element with Square Cap	Matt White	8.464	176.00	211.20
300W Type G Element with Square Cap	Matt White	8.465	181.00	217.20
600W Type G Element with Square Cap	Matt White	8.466	191.00	229.20
900W Type G Element with Square Cap	Matt White	8.467	196.00	235.20
1200W Type G Element with Square Cap	Matt White	8.468	201.00	241.20
Fluid filling for above rail (electric only)*	-	FF	117.00	140.40

*(not including appropriate element). I.P. rating 54. (Zone 2 and 3)
Please note all fluid filled rails are special order and are **non-returnable**.

Matt Black



Element Type G With Square Cap - Matt Black

Description	Colour	Code	£ Ex VAT	£ Inc VAT
150W Type G Element with Square Cap	Matt Black	8.474	176.00	211.20
300W Type G Element with Square Cap	Matt Black	8.475	181.00	217.20
600W Type G Element with Square Cap	Matt Black	8.476	191.00	229.20
900W Type G Element with Square Cap	Matt Black	8.477	196.00	235.20
1200W Type G Element with Square Cap	Matt Black	8.478	201.00	241.20
Fluid filling for above rail (electric only)*	-	FF	117.00	140.40

*(not including appropriate element). I.P. rating 54. (Zone 2 and 3)
Please note all fluid filled rails are special order and are **non-returnable**.

All Eastbrook fluid filled rails are filled with Fernox HP-5.

With over 40 years experience and continual investment in research and development, Fernox water treatment products are manufactured to the highest quality, reliability and performance. Fernox HP-5 is a pre-blended heat transfer fluid which gives a frost protection down to -5°C. It also provides long-term protection from damage caused by corrosion, limescale and bacteria and maintains a stable pH across a range of operational temperatures.

FEATURES - FERNOX

- Anti-cavitation (lower noise)
- Better heat transfer
- Anti-corrosion properties
- Anti-freeze



WATER OR ROOM TEMPERATURE CONTROL

FEATURES

- Turbo boost function (full heating for a set period 1, 2 or 3 hours)
- Off season heating
- Anti-Freeze function
- Low running costs
- Eco Design ready
- Smooth temperature adjustment (10°C to 65°C)
- Comes with remote control, that acts as ambient temperature sensor
- Thermostat can control either water temperature or ambient room temperature
- Can be fitted on LH or RH side by 180°C rotating thermostat

TECHNICAL INFORMATION

For an all electric towel rail/radiator, fluid filling must be purchased. Electric only elements will be fitted RH side unless otherwise specified. **Only suitable with Chrome T-Piece - 8.901 & Chrome Elbow - 41.3003.**

Element Type H Horizontal - Chrome

Description	Colour	Code	£ Ex VAT	£ Inc VAT
300W Type H Element Horizontal**	Chrome	8.554	288.00	345.60
600W Type H Element Horizontal**	Chrome	8.555	293.00	351.60
900W Type H Element Horizontal**	Chrome	8.556	297.00	356.40
1200W Type H Element Horizontal**	Chrome	8.557	302.00	362.40
Fluid filling for above rail (electric only)*	-	FF	117.00	140.40

Element Type H Horizontal - Matt Anthracite

Description	Colour	Code	£ Ex VAT	£ Inc VAT
300W Type H Element Horizontal**	Matt Anthracite	8.544	284.00	340.80
600W Type H Element Horizontal**	Matt Anthracite	8.545	288.00	345.60
900W Type H Element Horizontal**	Matt Anthracite	8.546	293.00	351.60
1200W Type H Element Horizontal**	Matt Anthracite	8.547	297.00	356.40
Fluid filling for above rail (electric only)*	-	FF	117.00	140.40

*(not including appropriate element, for all colours). I.P. rating 54. (Zone 2 and 3) Please note all fluid filled rails are special order and are **non-returnable**.
**Available February 2023

ELEMENT TYPE H HORIZONTAL

Power	Length (mm)
300W	340
600W	390
900W	440
1200W	470



Element Type H Horizontal - Gloss White

Description	Colour	Code	£ Ex VAT	£ Inc VAT
300W Type H Element Horizontal**	Gloss White	8.539	265.00	318.00
600W Type H Element Horizontal**	Gloss White	8.540	269.00	322.80
900W Type H Element Horizontal**	Gloss White	8.541	274.00	328.80
1200W Type H Element Horizontal**	Gloss White	8.542	278.00	333.60
Fluid filling for above rail (electric only)*	-	FF	117.00	140.40

Element Type H Horizontal - Matt Black

Description	Colour	Code	£ Ex VAT	£ Inc VAT
300W Type H Element Horizontal**	Matt Black	8.549	284.00	340.80
600W Type H Element Horizontal**	Matt Black	8.550	288.00	345.60
900W Type H Element Horizontal**	Matt Black	8.551	293.00	351.60
1200W Type H Element Horizontal**	Matt Black	8.552	297.00	356.40
Fluid filling for above rail (electric only)*	-	FF	117.00	140.40

WATER OR ROOM TEMPERATURE CONTROL

FEATURES

- Turbo boost function (full heating for a set period 1, 2 or 3 hours)
- Off season heating
- Anti-Freeze function
- Low running costs
- Eco Design ready
- Smooth temperature adjustment (10°C to 65°C)
- Wi-Fi & App Control
- Comes with remote control, that acts as ambient temperature sensor
- Thermostat can control either water temperature or ambient room temperature
- Can be fitted on LH or RH side by 180°C rotating thermostat

TECHNICAL INFORMATION

For an all electric towel rail/radiator, fluid filling must be purchased. Electric only elements will be fitted RH side unless otherwise specified. **Only suitable with Chrome T-Piece - 8.901 & Chrome Elbow - 41.3003.**

Element Type H Wi-Fi Horizontal - Chrome

Description	Colour	Code	£ Ex VAT	£ Inc VAT
300W Type H Element Wi-Fi Horizontal**	Chrome	8.574	324.00	388.80
600W Type H Element Wi-Fi Horizontal**	Chrome	8.575	328.00	393.60
900W Type H Element Wi-Fi Horizontal**	Chrome	8.576	333.00	399.60
1200W Type H Element Wi-Fi Horizontal**	Chrome	8.577	337.00	404.40
Fluid filling for above rail (electric only)*	-	FF	117.00	140.40

Element Type H Wi-Fi Horizontal - Matt Anthracite

Description	Colour	Code	£ Ex VAT	£ Inc VAT
300W Type H Element Wi-Fi Horizontal**	Matt Anthracite	8.564	319.00	382.80
600W Type H Element Wi-Fi Horizontal**	Matt Anthracite	8.565	324.00	388.80
900W Type H Element Wi-Fi Horizontal**	Matt Anthracite	8.566	328.00	393.60
1200W Type H Element Wi-Fi Horizontal**	Matt Anthracite	8.567	333.00	399.60
Fluid filling for above rail (electric only)*	-	FF	117.00	140.40

*(not including appropriate element, for all colours). I.P. rating 54. (Zone 2 and 3) Please note all fluid filled rails are special order and are **non-returnable**.
**Available February 2023

ELEMENT TYPE H WI-FI HORIZONTAL

Power	Length (mm)
300W	340
600W	390
900W	440
1200W	470



Element Type H Wi-Fi Horizontal - Gloss White

Description	Colour	Code	£ Ex VAT	£ Inc VAT
300W Type H Element Wi-Fi Horizontal**	Gloss White	8.559	300.00	360.00
600W Type H Element Wi-Fi Horizontal**	Gloss White	8.560	305.00	366.00
900W Type H Element Wi-Fi Horizontal**	Gloss White	8.561	309.00	370.80
1200W Type H Element Wi-Fi Horizontal**	Gloss White	8.562	314.00	376.80
Fluid filling for above rail (electric only)*	-	FF	117.00	140.40

Element Type H Wi-Fi Horizontal - Matt Black

Description	Colour	Code	£ Ex VAT	£ Inc VAT
300W Type H Element Wi-Fi Horizontal**	Matt Black	8.569	319.00	382.80
600W Type H Element Wi-Fi Horizontal**	Matt Black	8.570	324.00	388.80
900W Type H Element Wi-Fi Horizontal**	Matt Black	8.571	328.00	393.60
1200W Type H Element Wi-Fi Horizontal**	Matt Black	8.572	333.00	399.60
Fluid filling for above rail (electric only)*	-	FF	117.00	140.40

WI-FI SMARTPHONE APPLICATION



Your WiFi Element has the option of programming the air temperature in the daily and weekly cycles and meets the requirements of the EcoDesign Directive (Lot 20) is compatible with the EcoDirective 2018 for electric elements.

Download the "SUPLA" app from [Google Play Store](#) or [Apple App Store](#). Video instructions for the smartphone app available on our website.

Crafton Control Plate & Thermostatic Valves



Additional Chrome Cover 67.0005

Crafton Temperature Control Panel			
Description	Code	£ Ex VAT	£ Inc VAT
Crafton Temperature Control Plate White	67.0004	107.00	128.40
Crafton Temperature Control Plate Chrome Cover	67.0005	36.00	43.20

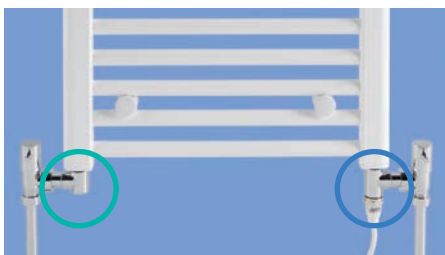
FEATURES

- Can be fitted in the bathroom (Zone 2 rated)
- IPX5 rated
- Active LED display
- 2 hour boost function
- Low running costs
- Wattage range 100-1000 watts
- 20-100% output control
- Can be used on dual fuel and electric only installations
- **Can only be fitted with Type A+, Type A Element and Biava Dry Element towel rail**
- Will fit all standard electrical back boxes

Dual Fuel - Element T Pieces & Elbows



Dual Fuel Elbows			
Description	Code	£ Ex VAT	£ Inc VAT
Elbow Chrome	41.3003	16.00	19.20
Elbow Matt White	41.4040	18.00	21.60
Elbow Matt Grey	41.4041	18.00	21.60
Elbow Matt Cappuccino	41.4042	18.00	21.60
Elbow Matt Anthracite	41.4043	18.00	21.60
Elbow Matt Black	41.4044	18.00	21.60



Dual Fuel T Pieces			
Description	Code	£ Ex VAT	£ Inc VAT
T Piece Chrome	8.901	17.00	20.40
T Piece Matt White	41.3030	21.00	25.20
T Piece Matt Grey	41.3031	21.00	25.20
T Piece Matt Cappuccino	41.3032	21.00	25.20
T Piece Matt Anthracite	41.3033	21.00	25.20
T Piece Matt Black	41.3034	21.00	25.20

Corner Dual Fuel Thermostatic Valve & Lockshield Valve

15mm Corner Dual Fuel TRV & Lockshield Valve Chrome				
Description	Colour	Code	£ Ex VAT	£ Inc VAT
Dual Fuel TRV and Lockshield Valve 15mm	Chrome	12.058	74.00	88.80
Dual Fuel TRV and Lockshield Valve 15mm	Matt White	54.0026	70.00	84.00
Dual Fuel TRV and Lockshield Valve 15mm	Matt Anthracite	54.0027	70.00	84.00
Dual Fuel TRV and Lockshield Valve 15mm	Matt Black	54.0028	70.00	84.00

FEATURES

- Approved to EN215
- Produced to ISO 9001:2008
- Integrated T Piece

- Only fitted with Type A & A+ Elements
- Element entry inlets from both sides
- Brass construction
- 2 Year Warranty*
- *With conditions



Valve Buying Guide

Radiator Valve Buying Guide

Step 1

Choose your towel rail or radiator. Remember to check where your central heating pipework is located.

Step 2

Check which type of connection your chosen radiator has. (Side or bottom connection).

Step 3

Choose from one of the below valve types which compatible with your pipework.

Angled Valves



[Manual Options P734 & 735](#)
[Thermostatic \(TRV\) Options P732, 733, 736 & 737](#)

FEATURES

- Most used valve type.
- Connects radiator at 90° angle.
- Pipework can be from the wall or floor.

COMPATIBLE WITH:

- Connections at the sides & pipework from the floor.
- Connections at the sides & pipework from the wall.
- Connections at the bottom & pipework from the wall.



Corner Valves



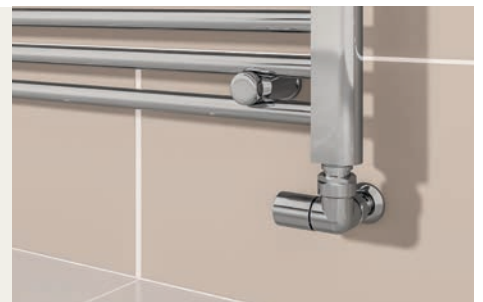
[Manual Options P735](#)
[Thermostatic \(TRV\) Options P732, 733 & 737](#)

FEATURES

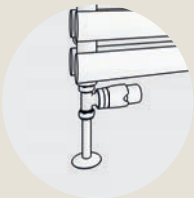
- Connects radiator at 90° angle.
- On side connections, valve head sits vertically.
- On bottom connections, valve head sits under the radiator.

COMPATIBLE WITH:

- Connections at the sides & pipework from the wall.
- Connections at the bottom & pipework from the wall.



Straight Valves



[Manual Options P734](#)
[Thermostatic \(TRV\) Options P732, 733 & 736](#)

FEATURES

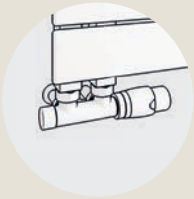
- Fits best to bottom connection towel rails & radiators.
- Suitable only with bottom connection radiators & towel rails with pipework from the floor or along the wall.
- Can be connected vertically or horizontally depending on the pipework.

COMPATIBLE WITH:

- Connections at the bottom & pipework from the floor.



Twin Thermostatic Valves



[Thermostatic \(TRV\) Options P733](#)

FEATURES

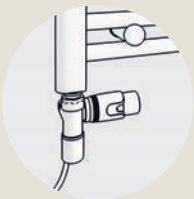
- Angled & Straight versions available.
- 50mm connection centres.
- Saves space by using one valve instead of two.
- Only suitable for selected models in our ranges.

COMPATIBLE WITH:

- Connections at the bottom & pipework from the floor.
- Connections at the bottom & pipework from the wall.



Dual Fuel Thermostatic Valves



[Thermostatic \(TRV\) Options P730](#)

FEATURES

- Only corner version available.
- Elements can be fitted from both sides.
- Only Type A & Type A+ element can be used.

COMPATIBLE WITH:

- Connections at the bottom & pipework from the wall.



Drain Off Valves

[P735](#)

- Can be used to drain off radiators.

Pipe Shrouds & Collar Kits

[P739](#)

- 15mm pipe covering shrouds & collars for aesthetic perfection.

Darlington Valves

DARLINGTON STRAIGHT TRV			DARLINGTON ANGLED TRV			DARLINGTON CORNER TRV		
								
BI-DIRECTIONAL Chrome			BI-DIRECTIONAL Chrome			BI-DIRECTIONAL Chrome		
Straight TRV with Lockshield 15mm (pair)			Angled TRV with Lockshield 15mm (pair)			Corner TRV with Lockshield 15mm (pair)		
Code	£ Ex VAT	£ Inc VAT	Code	£ Ex VAT	£ Inc VAT	Code	£ Ex VAT	£ Inc VAT
54.0003	37.00	44.40	54.0002	36.00	43.20	54.0004	38.00	45.60
								
BI-DIRECTIONAL White/Chrome			BI-DIRECTIONAL White/Chrome			BI-DIRECTIONAL White/Chrome		
Straight TRV with Lockshield 15mm (pair)			Angled TRV with Lockshield 15mm (pair)			Corner TRV with Lockshield 15mm (pair)		
Code	£ Ex VAT	£ Inc VAT	Code	£ Ex VAT	£ Inc VAT	Code	£ Ex VAT	£ Inc VAT
54.0005	38.00	45.60	54.0006	37.00	44.40	54.0007	41.00	49.20
								
BI-DIRECTIONAL Matt White			BI-DIRECTIONAL Matt White			BI-DIRECTIONAL Matt White		
Straight TRV with Lockshield 15mm (pair)			Angled TRV with Lockshield 15mm (pair)			Corner TRV with Lockshield 15mm (pair)		
Code	£ Ex VAT	£ Inc VAT	Code	£ Ex VAT	£ Inc VAT	Code	£ Ex VAT	£ Inc VAT
54.0019	42.00	50.40	54.0016	41.00	49.20	54.0022	49.00	58.80
								
BI-DIRECTIONAL Matt Anthracite			BI-DIRECTIONAL Matt Anthracite			BI-DIRECTIONAL Matt Anthracite		
Straight TRV with Lockshield 15mm (pair)			Angled TRV with Lockshield 15mm (pair)			Corner TRV with Lockshield 15mm (pair)		
Code	£ Ex VAT	£ Inc VAT	Code	£ Ex VAT	£ Inc VAT	Code	£ Ex VAT	£ Inc VAT
54.0020	42.00	50.40	54.0017	41.00	49.20	54.0023	49.00	58.80

FEATURES

- Approved to EN 1074-2:2000
- Produced to GB/T 19001-2016
- Produced to ISO 9001:2015
- 2 Year warranty with conditions

TECHNICAL INFORMATION

On all Darlington valves, the materials used can have a slight difference between their parts colours. The numbers on the TRV heads do not represent specific room temperatures as the temperature at which the valve operates depends on the water temperature flowing through the radiator, airflow around the head of the TRV, the room size and any heat loss in that space through walls, windows and floors.

Darlington & Thermostatic Valves

DARLINGTON STRAIGHT TRV



BI-DIRECTIONAL		Matt Black
Straight TRV with Lockshield 15mm (pair)		
Code	£ Ex VAT	£ Inc VAT
54.0021	42.00	50.40

DARLINGTON ANGLED TRV



BI-DIRECTIONAL		Matt Black
Angled TRV with Lockshield 15mm (pair)		
Code	£ Ex VAT	£ Inc VAT
54.0018	41.00	49.20

DARLINGTON CORNER TRV



BI-DIRECTIONAL		Matt Black
Corner TRV with Lockshield 15mm (pair)		
Code	£ Ex VAT	£ Inc VAT
54.0024	49.00	58.80

TRADITIONAL VALVES



Comes with dark wood effect head		Chrome
Angled TRV with Lockshield 15mm (pair)		
Code	£ Ex VAT	£ Inc VAT
54.0008	85.00	102.00



Comes with dark wood effect head		Satin Nickel
Angled TRV with Lockshield 15mm (pair)		
Code	£ Ex VAT	£ Inc VAT
54.0009	92.00	110.40



Comes with dark wood effect head		Chrome
Corner TRV with Lockshield 15mm (pair)		
Code	£ Ex VAT	£ Inc VAT
54.0010	107.00	128.40



Comes with dark wood effect head		Satin Nickel
Corner TRV with Lockshield 15mm (pair)		
Code	£ Ex VAT	£ Inc VAT
54.0011	110.00	132.00



MANUAL VALVE		Chrome
Angled Traditional Valves with Tails (pair)		
Code	£ Ex VAT	£ Inc VAT
54.0001	51.00	61.20

- FEATURES**
- Approved to EN 1074-2:2000
 - All valves are 15mm models
 - Produced to GB/T 19001-2016 and ISO 9001:2015
 - Not bi-directional, TRV head must be fitted to flow side.
 - 2 Year warranty*
 - *With conditions

TWIN THERMOSTATIC VALVES



54.0012	Gloss White	54.0012	70.00	84.00
54.0013	Chrome	54.0013	64.00	76.80
54.0014	Gloss White	54.0014	70.00	84.00
54.0015	Chrome	54.0015	64.00	76.80



Twin Thermostatic Valves				
Description	Colour	Code	£ Ex VAT	£ Inc VAT
Straight Twin inlet Thermostatic Radiator Valve 15mm	Gloss White	54.0012	70.00	84.00
Straight Twin inlet Thermostatic Radiator Valve 15mm	Chrome	54.0013	64.00	76.80
Angled Twin inlet Thermostatic Radiator Valve 15mm	Gloss White	54.0014	70.00	84.00
Angled Twin inlet Thermostatic Radiator Valve 15mm	Chrome	54.0015	64.00	76.80

- FEATURES**
- All twin thermostatic valves are 15 mm
 - Tapping Centres: 50mm
 - Approved to EN 1074-2:2000
 - Produced to GB/T 19001-2016 and ISO 9001:2015
 - 2 Year warranty*
 - *With conditions

Manual Valves

Straight Valves



Square straight radiator valves chrome (pair)

Code	£ Ex VAT	£ Inc VAT
41.3002	69.00	82.80



Minimalist radiator valves straight chrome (pair)

Code	£ Ex VAT	£ Inc VAT
41.3005	42.00	50.40



Square straight radiator valves chrome (pair)

Code	£ Ex VAT	£ Inc VAT
12.038	92.00	110.40



Straight radiator valves matt white (pair)

Code	£ Ex VAT	£ Inc VAT
41.3013	43.00	51.60



Straight radiator valves chrome (pair)

Code	£ Ex VAT	£ Inc VAT
41.3008	43.00	51.60



Straight radiator valves matt black (pair)

Code	£ Ex VAT	£ Inc VAT
41.3014	43.00	51.60

Straight Valves (continued)



Straight radiator valves matt anthracite (pair)

Code	£ Ex VAT	£ Inc VAT
41.3016	42.00	50.40

Angled Valves



Square angled radiator valves chrome (pair)

Code	£ Ex VAT	£ Inc VAT
41.3001	66.00	79.20



Minimalist radiator valves angled chrome (pair)

Code	£ Ex VAT	£ Inc VAT
41.3004	41.00	49.20



Angled square radiator valves chrome (pair)

Code	£ Ex VAT	£ Inc VAT
12.036	101.00	121.20



Angled radiator valves chrome (pair)

Code	£ Ex VAT	£ Inc VAT
41.3007	44.00	52.80



Angled radiator valves matt white (pair)

Code	£ Ex VAT	£ Inc VAT
41.3011	42.00	50.40

Manual Valves

Angled Valves (continued)



Angled radiator valves matt anthracite (pair)		
Code	£ Ex VAT	£ Inc VAT
41.3015	43.00	51.60



Angled radiator valves matt black (pair)		
Code	£ Ex VAT	£ Inc VAT
41.3012	42.00	50.40



Angled Crosshead Radiator Valves (pair)		
Code	£ Ex VAT	£ Inc VAT
54.0025	43.00	51.60

Corner Valves



Square corner rad valves chrome (pair)		
Code	£ Ex VAT	£ Inc VAT
41.3010	85.00	102.00



Corner radiator valves chrome (pair)		
Code	£ Ex VAT	£ Inc VAT
41.3006	47.00	56.40



Corner radiator valves matt white (pair)		
Code	£ Ex VAT	£ Inc VAT
41.3017	49.00	58.80



Corner radiator valves matt anthracite (pair)		
Code	£ Ex VAT	£ Inc VAT
41.3018	49.00	58.80



Corner radiator valves matt black (pair)		
Code	£ Ex VAT	£ Inc VAT
41.3019	49.00	58.80

Traditional Valves



Pair of Traditional Rad Valves + Tails Chrome		
Code	£ Ex VAT	£ Inc VAT
41.3009	75.00	90.00

Drain Off Valve

Drain Off Valve				
Description	Colour	Code	£ Ex VAT	£ Inc VAT
15mm Lockshield with Drain Valve	Chrome	12.052	14.00	16.80

FEATURES

- Can be used to drain off radiators.
- Chrome plated brass body, comes with white cover cap.



Thermostatic Valves

Straight Thermostatic Valves

12.043



Biava 15mm TRV & Lockshield - Chrome

Code	£ Ex VAT	£ Inc VAT
12.043	51.00	61.20

12.048



Biava 15mm TRV & Lockshield - Chrome/White

Code	£ Ex VAT	£ Inc VAT
12.048	41.00	49.20

41.3020



15mm TRV & Lockshield - Matt White

Code	£ Ex VAT	£ Inc VAT
41.3020	47.00	56.40

41.3026*



15mm TRV & Lockshield - Matt Grey

Code	£ Ex VAT	£ Inc VAT
41.3026	57.00	68.40

41.3028*



15mm TRV & Lockshield - Matt Cappuccino

Code	£ Ex VAT	£ Inc VAT
41.3028	57.00	68.40

41.3021



15mm TRV & Lockshield - Matt Anthracite

Code	£ Ex VAT	£ Inc VAT
41.3021	47.00	56.40

Straight Thermostatic Valves

41.3022



15mm TRV & Lockshield - Matt Black

Code	£ Ex VAT	£ Inc VAT
41.3022	47.00	56.40

41.3035 New Colour

Available February 2023



15mm TRV & Lockshield - Brushed Brass

Code	£ Ex VAT	£ Inc VAT
41.3035	65.00	78.00

Angled Thermostatic Valves


12.041



Biava 15mm TRV & Lockshield - Chrome

Code	£ Ex VAT	£ Inc VAT
12.041	51.00	61.20

12.047



Biava 15mm TRV & Lockshield - Chrome/White

Code	£ Ex VAT	£ Inc VAT
12.047	41.00	49.20

41.3023



15mm TRV & Lockshield - Matt White

Code	£ Ex VAT	£ Inc VAT
41.3023	44.00	52.80

41.3027



15mm TRV & Lockshield - Matt Grey

Code	£ Ex VAT	£ Inc VAT
41.3027	53.00	63.60

FEATURES (STRAIGHT & ANGLED)

- 15mm straight models
- Approved to EN215
- Produced to ISO 9001: - 2008
- Energy saving - lower fuel bills
- Controls individual radiators to allow varying comfort levels throughout the home
- Reversible tail piece facilitates vertical or horizontal installation
- Luxury gloss white, matt white, matt grey, matt cappuccino, matt black, brushed nickel and chrome finishes
- 2 Year warranty with conditions

All straight TRV's are BI-DIRECTIONAL

All angled TRV's are BI-DIRECTIONAL

TECHNICAL INFORMATION

On all TRV's, due to different materials used, there can be a slight difference between the parts colours. The numbers on the TRV heads do not represent specific room temperatures as the temperature at which the valve operates depends on the water temperature flowing through the radiator, airflow around the head of the TRV, the room size and any heat loss in that space through walls, windows and floors.

Thermostatic Valves

Angled Thermostatic Valves

41.3029*



15mm TRV & Lockshield - Matt Cappuccino

Code	£ Ex VAT	£ Inc VAT
41.3029	53.00	63.60

41.3024



15mm TRV & Lockshield - Matt Anthracite

Code	£ Ex VAT	£ Inc VAT
41.3024	44.00	52.80

41.3025



15mm TRV & Lockshield - Matt Black

Code	£ Ex VAT	£ Inc VAT
41.3025	44.00	52.80

Angled Thermostatic Valves

41.3036 New Colour

Available February 2023




15mm TRV & Lockshield - Brushed Brass

Code	£ Ex VAT	£ Inc VAT
41.3036	65.00	78.00

Corner Thermostatic Valves

12.045



15mm TRV & Lockshield - Chrome

Code	£ Ex VAT	£ Inc VAT
12.045	51.00	61.20


12.035



15mm TRV & Lockshield - Nickel/White

Code	£ Ex VAT	£ Inc VAT
12.035	43.00	51.60

12.049



15mm TRV & Lockshield - Chrome/White

Code	£ Ex VAT	£ Inc VAT
12.049	41.00	49.20


12.053



15mm TRV & Lockshield - Matt White

Code	£ Ex VAT	£ Inc VAT
12.053	72.00	86.40

12.054



15mm TRV & Lockshield - Matt Grey

Code	£ Ex VAT	£ Inc VAT
12.054	72.00	86.40

12.055



15mm TRV & Lockshield - Matt Cappuccino

Code	£ Ex VAT	£ Inc VAT
12.055	76.00	91.20

12.056



15mm TRV & Lockshield - Matt Anthracite

Code	£ Ex VAT	£ Inc VAT
12.056	72.00	86.40

12.057



15mm TRV & Lockshield - Matt Black

Code	£ Ex VAT	£ Inc VAT
12.057	72.00	86.40

41.3037 New Colour

Available February 2023



15mm TRV & Lockshield - Brushed Brass

Code	£ Ex VAT	£ Inc VAT
41.3037	76.00	91.20

FEATURES (CORNER VALVES)

- 15mm corner models
- Approved to EN215
- Produced to ISO 9001: - 2008
- Energy saving - lower fuel bills
- Controls individual radiators to allow varying comfort levels throughout the home
- Reversible tail piece facilitates vertical or horizontal installation
- Luxury gloss white, matt white, matt grey, matt cappuccino, matt black, brushed nickel and chrome finishes
- 2 Year warranty*

* With conditions

TECHNICAL INFORMATION

**Due to different materials used, there can be a slight difference between the parts colours.

The Corner TRV can only be fitted RH if fitting on bottom connection or LH if fitting on side connection.

Accessories

Multi-Rail Towel Hangers

Must be fitted before installation.



Multi-Rail Hanger - Gloss White			
Size	Code	£ Ex VAT	£ Inc VAT
300mm	101.0010	43.00	51.60
400mm	101.0012	44.00	52.80
450mm	101.0016	49.00	58.80
500mm	101.0018	51.00	61.20
600mm	101.0022	57.00	68.40
750mm	101.0026	60.00	72.00



Multi-Rail Hanger - Chrome			
Size	Code	£ Ex VAT	£ Inc VAT
300mm	101.0011	59.00	70.80
400mm	101.0015	60.00	72.00
450mm	101.0017	66.00	79.20
500mm	101.0021	74.00	88.80
600mm	101.0025	79.00	94.80
750mm	101.0027	83.00	99.60



Multi-Rail Hanger - Matt Anthracite			
Size	Code	£ Ex VAT	£ Inc VAT
400mm	101.0014	44.00	52.80
500mm	101.0020	51.00	61.20
600mm	101.0024	57.00	68.40



Multi-Rail Hanger - Matt White			
Size	Code	£ Ex VAT	£ Inc VAT
400mm	101.0013	44.00	52.80
500mm	101.0019	51.00	61.20
600mm	101.0023	57.00	68.40



Multi-Rail Hanger - Matt Grey			
Size	Code	£ Ex VAT	£ Inc VAT
400mm	101.0111	44.00	52.80
500mm	101.0112	51.00	61.20
600mm	101.0113	57.00	68.40

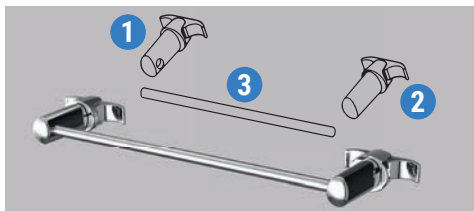


Multi-Rail Hanger - Matt Black			
Size	Code	£ Ex VAT	£ Inc VAT
400mm	101.0061	44.00	52.80
500mm	101.0062	51.00	61.20
600mm	101.0063	57.00	68.40

Compatible Radiators

Wendover Straights	All Models	Wingrave Straights	All Models	Biava Dry Elements	All Models	Westwards	All Models
Biava Tube on Tube	All Models	Biava Multi-Rail	All Models	Biava Multirail Hidden Vent	All Models		

Rivassa & Imperia - Towel Hangers



Towel hanger comes in three unassembled pieces. Please cut 600mm bar to required column-to-column length.

Rivassa Towel Hanger				
Size	Colour	Code	£ Ex VAT	£ Inc VAT
600mm	Chrome	16.158	115.00	138.00
600mm	White	16.157	80.00	96.00

Can be fitted after installation!

Rivassa & Imperia - Robe Hooks



Robe Hook- Chrome			
Details	Code	£ Ex VAT	£ Inc VAT
Single Hook	16.006	19.00	22.80



Robe Hook- White			
Details	Code	£ Ex VAT	£ Inc VAT
Single Hook	16.005	16.00	19.20

Can be fitted after installation!

Towel Rail - Towel Hangers



Towel Hanger - Chrome			
Size	Code	£ Ex VAT	£ Inc VAT
210mm	16.002	63.00	75.60
310mm	16.004	64.00	76.80
360mm	16.352	66.00	79.20
470mm	16.350	68.00	81.60
600mm	16.351	70.00	84.00



Towel Hanger - White			
Size	Code	£ Ex VAT	£ Inc VAT
210mm	16.001	47.00	56.40
310mm	16.003	50.00	60.00
360mm	16.152	53.00	63.60
470mm	16.150	57.00	68.40
600mm	16.151	59.00	70.80

Can be fitted after installation!

Towel Rail - Robe Hooks



Robe Hook- Chrome			
Details	Code	£ Ex VAT	£ Inc VAT
Hook Pair	16.500	42.00	50.40



Robe Hook- White			
Details	Code	£ Ex VAT	£ Inc VAT
Hook Pair	16.600	35.00	42.00

Can be fitted after installation!

Pipe Shrouds and Collar Kits



Pipe Shrouds and Collar Kits			
Description	Code	£ Ex VAT	£ Inc VAT
15mm Pipe Shroud & Collar Kit White	92.0001	13.00	15.60
15mm Pipe Shroud & Collar Kit Chrome	92.0002	20.00	24.00
15mm Pipe Shroud & Collar Kit Anthracite	92.0003	14.00	16.80
15mm Pipe Shroud & Collar Kit Black	92.0004	14.00	16.80

FEATURES

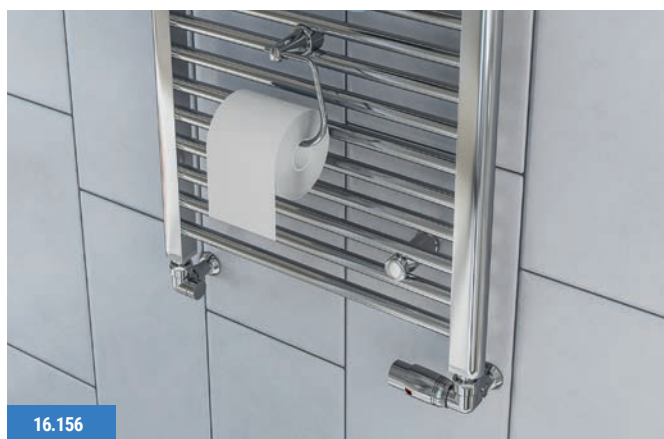
- Manufactured from high grade polypropylene
- Suitable for 15mm pipes
- Available in white, anthracite, black and chrome
- Each kit includes two pipe shrouds and two collars
- Shroud length 200mm
- Easy push-fit installation

Towel Rail Toilet Paper Holder



Toilet Paper Holder - White		
Code	£ Ex VAT	£ Inc VAT
16.155	90.00	108.00

Toilet Paper Holder - Chrome		
Code	£ Ex VAT	£ Inc VAT
16.156	98.00	117.60



Compatible Radiators			
Wendover	All Models	Wingrave	All Models
Biava Tube on Tube	All Models	Biava Multi-Rail	All Models
Biava Dry Elements	All Models	Westward	All Models

Towel Rail Room Divider Bracket Sets



Room Divider Bracket Set - White		
Code	£ Ex VAT	£ Inc VAT
16.153	152.00	182.40

Room Divider Bracket Set - Chrome		
Code	£ Ex VAT	£ Inc VAT
16.154	214.00	256.80



Compatible Radiators			
Wendover Straight	All Colours	Wingrave Straight	All Colours
Westward	All Colours	Biava Multi-Rail Straight	All Colours
Biava Dry Element	All Colours	Corinium Round	All Colours

Accessories

Multi-Purpose Towel Hangers



Towel Hanger - Matt White - Left / Right			
Size	Code	£ Ex VAT	£ Inc VAT
300mm	89.0882L/89.0882R	121.00	145.20
400mm	89.0883L/89.0883R	124.00	148.80
500mm	89.0884L/89.0884R	127.00	152.40



Towel Hanger - Matt Grey - Left / Right			
Size	Code	£ Ex VAT	£ Inc VAT
300mm	89.0885L/89.0885R	121.00	145.20
400mm	89.0886L/89.0886R	124.00	148.80
500mm	89.0887L/89.0887R	127.00	152.40



Towel Hanger - Matt Cappuccino - Left / Right			
Size	Code	£ Ex VAT	£ Inc VAT
300mm	89.0888L/89.0888R	121.00	145.20
400mm	89.0889L/89.0889R	124.00	148.80
500mm	89.0890L/89.0890R	127.00	152.40



Towel Hanger - Matt Anthracite - Left / Right			
Size	Code	£ Ex VAT	£ Inc VAT
300mm	89.0891L/89.0891R	121.00	145.20
400mm	89.0892L/89.0892R	124.00	148.80
500mm	89.0893L/89.0893R	127.00	152.40



Towel Hanger - Matt Black - Left / Right			
Size	Code	£ Ex VAT	£ Inc VAT
300mm	89.0894L/89.0894R	121.00	145.20
400mm	89.0895L/89.0895R	124.00	148.80
500mm	89.0896L/89.0896R	127.00	152.40

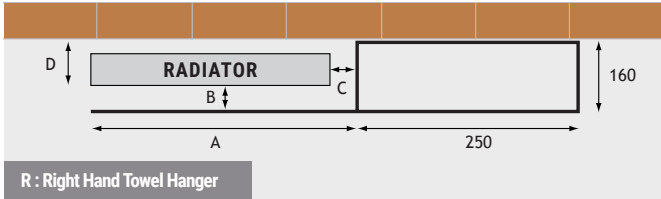
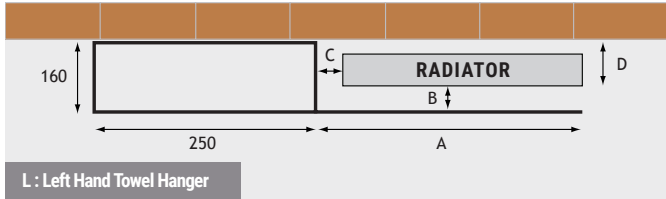
TECHNICAL INFORMATION

Please check the technical drawing to see all the required measurements. Multi-Purpose Towel Hangers can only be fitted on the wall. Only vertical radiators have been used in the compatibility chart.

Left Hand Towel Hangers : When fitted on the wall and looking from front, shelf is on the left and towel can be hung from the right.

Right Hand Towel Hangers : When fitted on the wall and looking from front, shelf is on the right and towel can be hung from the left.

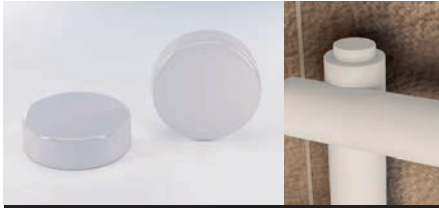
Can be fitted after installation!



MULTI-PURPOSE TOWEL HANGER COMPATIBILITY CHART

Radiator Model	Radiator Width (mm)				Towel Hanger length A (mm)				Shelf Width (mm)	Shelf Depth (mm)	Towel hanger to wall distance (mm)	Radiator's Front to Wall Distance D (mm)	Towel Hanging Distance B (mm)	Distance from Radiator to Towel Shelf C (mm)				
	1.)	2.)	3.)	4.)	1.)	2.)	3.)	4.)						1.)	2.)	3.)	4.)	
RUBANO	383				500				250	160	160	114	46	117				
ROWSHAM	300	380			400	500			250	160	160	110	50	100	120			
TUNSTALL	280	420			400	500			250	160	160	93	67	120	80			
TUNSTALL DOUBLE	280	420			400	500			250	160	160	104	56	120	80			
ADDINGTON TYPE10	292	366	440		400	400	500		250	160	160	70	90	108	34	60		
DEDDINGTON	310	470			400	500			250	160	160	100	60	90	30			
ADDINGTON TYPE20	366	440			400	500			250	160	160	93	67	34	60			
ADDINGTON ALUMINIUM TYPE10	292	366	440		400	400	500		250	160	160	76.5	83.5	108	34	60		
ADDINGTON ALUMINIUM TYPE20	366	440			400	500			250	160	160	96.5	63.5	34	60			
ROSANO	280	375	470		300	400	500		250	160	160	70/90	90/70	20	25	30		
PERETTI	280	375	470		300	400	500		250	160	160	70/90	90/70	20	25	30		
SANDHURST	275	415	485		300	500	500		250	160	160	105	55	25	85	15		
TORDINO	280	375	470		300	400	500		250	160	160	80/100	80/60	20	25	30		
GUARDIA / Flat Side	280	375	470		300	400	500		250	160	160	100	60	20	25	30		
GUARDIA / Curved Side	280	375	470		300	400	500		250	160	160	110	50	20	25	30		
HADLEIGH	275	415	485		300	500	500		250	160	160	98	62	25	85	15		
VESIMA	303	403			400	500			250	160	160	85/105	75/55	97	97			
PRESTON	185				300				250	160	160	71/91	89/69	115				
BERLINI	185				300				250	160	160	70/90	90/70	115				
CHARLTON	280	375	470		300	400	500		250	160	160	71/91	89/69	20	25	30		
WITHINGTON	280	375	470		300	400	500		250	160	160	71/91	89/69	20	25	30		
MALMESBURY	185	280	375	470	300	300	400	500	250	160	160	79/99	81/61	115	20	25	30	
FAIRFORD	375				400				250	160	160	81/101	79/59	25				
BURFORD	275	345	415	485	300	400	500	500	250	160	160	108/128	52/32	25	55	85	15	
KELMSCOTT	275	345	415	485	300	400	500	500	250	160	160	83/103	77/57	25	55	85	15	

Round Vent Caps



Round Vent Caps - White

Description	Code	£ Ex VAT	£ Inc VAT
Round Vent Cap (pair)	101.0001	16.00	19.20



Round Vent Caps - Grey

Description	Code	£ Ex VAT	£ Inc VAT
Round Vent Cap (pair)	101.0002	16.00	19.20



Round Vent Caps - Cappuccino

Description	Code	£ Ex VAT	£ Inc VAT
Round Vent Cap (pair)	101.0003	16.00	19.20



Round Vent Caps - Anthracite

Description	Code	£ Ex VAT	£ Inc VAT
Round Vent Cap (pair)	101.0004	16.00	19.20



Round Vent Caps - Black

Description	Code	£ Ex VAT	£ Inc VAT
Round Vent Cap (pair)	101.0005	16.00	19.20



Round Vent Caps - Chrome

Description	Code	£ Ex VAT	£ Inc VAT
Round Vent Cap (pair)	101.0006	16.00	19.20

Compatible Radiators

Wingrave	Biava Square	Marlow E-Style	Deddington Towel Rail	Fairford
Wendover	Leonardo	Rubano	Addington Type21	Burford
Tuscan	Hurley	Rowsham	Addington Type22	Kelmscott
Biava Multirail	Helmsley	Tunstall	Addington Type20 Towel Rail	Witney
Biava Multirail HV	Staverton Tube on Tube Straight	Tunstall Double	Addington Type21 Towel Rail	Rivassa 2 Column
Westward	Staverton	Tunstall Mirror	Berkeley	Rivassa 3 Column
Biava Round	Staverton Tube on Tube Curved	Addington Type10	Preston	Rivassa 4 Column
Biava Tube on Tube	Mezzo Tondo	Addington Type20	Charlton	Imperia 2 Column
Launton	Pesaro	Deddington	Withington	Imperia 3 Column
Haddenham	Marlow	Addington Type10 Towel Rail	Malmesbury	Corinium Round
Tuscan Round	Tuscan Square	Tordino	Platani	Reinbach
Murano	Lambourne	Tuscan Square Multirail	Corinium Round	Tuscan Round

D-Shape Vent Caps



D-Shape Vent Caps - White

Description	Code	£ Ex VAT	£ Inc VAT
D-Shape Vent Cap (pair)	101.0007	18.00	21.60



D-Shape Vent Caps - Anthracite

Description	Code	£ Ex VAT	£ Inc VAT
D-Shape Vent Cap (pair)	101.0008	18.00	21.60



D-Shape Vent Caps - Grey

Description	Code	£ Ex VAT	£ Inc VAT
D-Shape Vent Cap (pair)	101.0114	18.00	21.60



D-Shape Vent Caps - Chrome

Description	Code	£ Ex VAT	£ Inc VAT
D-Shape Vent Cap (pair)	101.0009	18.00	21.60



D-Shape Vent Caps - Black

Description	Code	£ Ex VAT	£ Inc VAT
D-Shape Vent Cap (pair)	101.0060	18.00	21.60



With Vent Caps 101.0009

Compatible Radiators

Wingrave	Westwood	Defford	Santero	Rion Multirail
----------	----------	---------	---------	----------------

Technical Tables & Drawings

WINGRAVE - THE MULTIRAIL RANGE

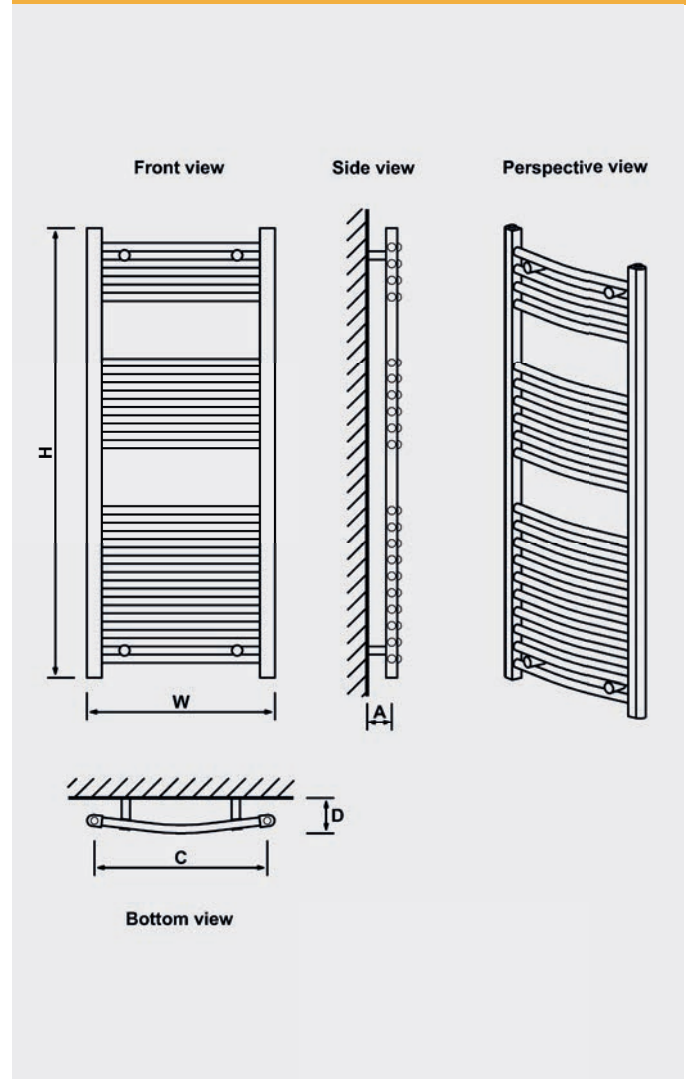
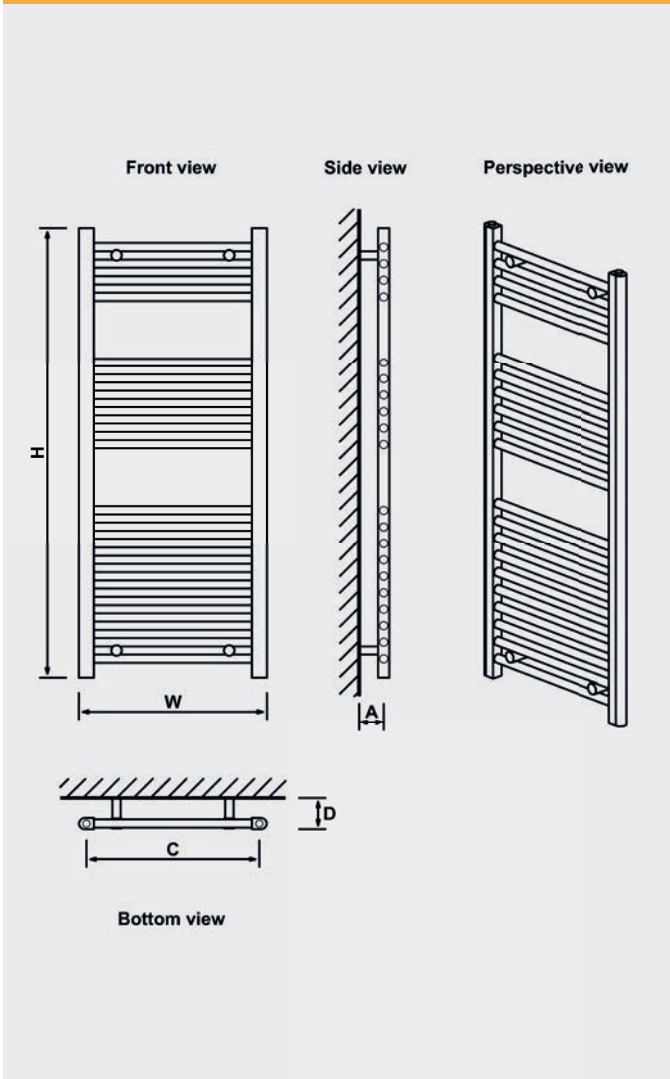
Wingrave - Straight																	
Height H (mm)	Width W (mm)	Tappings C (mm)	Distance from wall - D (mm)	Tappings from wall - A (mm)	Tube Qty	Water Content L	Weight KG	Colour	▲T60		Element Output	Element Type	Colour	▲T60		Element Output	Element Type
									Watts	BTU				Watts	BTU		
600	300	256	79	64	10	2.10	2.90	Coloured	204	697	100W	A,A+,D,E,F,G	Chrome	131	447	100W	A,A+,D,E,F,G
600	400	356	79	64	10	2.40	3.32	Coloured	257	877	150W	A,A+,D,E,F,G	Chrome	167	570	100W	A,A+,D,E,F,G
600	500	456	79	64	10	2.70	3.87	Coloured	309	1055	150W	A,A+,D,E,F,G	Chrome	200	683	100W	A,A+,D,E,F,G
600	600	556	79	64	10	3.10	3.91	Coloured	358	1222	150W	A,A+,D,E,F,G	Chrome	233	795	150W	A,A+,D,E,F,G
600	1000	955	79	64	10	4.40	5.20	Coloured	543	1853	300W	A,A+,D,F,G	Chrome	355	1212	150W	A,A+,D,F,G
600	1200	955	79	64	10	5.00	7.30	Coloured	629	2147	300W	A,A+,D,F,G	Chrome	413	1410	150W	A,A+,D,F,G
800	300	256	79	64	14	2.80	3.55	Coloured	266	908	150W	A,A+,D,E,F,G	Chrome	171	584	100W	A,A+,D,E,F,G
800	400	356	79	64	14	2.94	4.90	Coloured	337	1150	150W	A,A+,D,E,F,G	Chrome	217	741	150W	A,A+,D,E,F,G
800	500	456	79	64	14	3.39	5.70	Coloured	404	1379	150W	A,A+,D,E,F,G	Chrome	261	891	150W	A,A+,D,E,F,G
800	600	556	79	64	14	3.85	6.50	Coloured	468	1597	300W	A,A+,D,E,F,G	Chrome	303	1034	150W	A,A+,D,E,F,G
1000	300	256	79	64	16	3.40	4.20	Coloured	331	1130	150W	A,A+,D,E,F,G	Chrome	212	724	150W	A,A+,D,E,F,G
1000	400	356	79	64	16	3.51	5.90	Coloured	419	1430	150W	A,A+,D,E,F,G	Chrome	269	918	150W	A,A+,D,E,F,G
1000	500	456	79	64	16	4.04	6.80	Coloured	502	1713	300W	A,A+,D,E,F,G	Chrome	324	1106	150W	A,A+,D,E,F,G
1000	600	556	79	64	16	4.56	7.70	Coloured	582	1986	300W	A,A+,D,E,F,G	Chrome	376	1283	150W	A,A+,D,E,F,G
1200	300	256	79	64	20	4.20	5.10	Coloured	398	1358	150W	A,A+,D,E,F,G	Chrome	256	874	150W	A,A+,D,E,F,G
1200	400	356	79	64	20	4.30	7.20	Coloured	503	1717	300W	A,A+,D,E,F,G	Chrome	324	1106	150W	A,A+,D,E,F,G
1200	500	456	79	64	20	4.95	8.30	Coloured	604	2061	300W	A,A+,D,E,F,G	Chrome	390	1331	300W	A,A+,D,E,F,G
1200	600	556	79	64	20	5.61	9.40	Coloured	700	2389	300W	A,A+,D,E,F,G	Chrome	454	1550	300W	A,A+,D,E,F,G
1400	300	256	79	64	22	4.70	5.60	Coloured	468	1597	150W	A,A+,D,E,F,G	Chrome	302	1031	150W	A,A+,D,E,F,G
1400	400	356	79	64	22	4.88	8.40	Coloured	592	2020	300W	A,A+,D,E,F,G	Chrome	383	1307	150W	A,A+,D,E,F,G
1400	500	456	79	64	22	5.60	9.40	Coloured	710	2423	300W	A,A+,D,E,F,G	Chrome	461	1573	300W	A,A+,D,E,F,G
1400	600	556	79	64	22	6.30	10.40	Coloured	824	2812	300W	A,A+,D,E,F,G	Chrome	536	1829	300W	A,A+,D,E,F,G
1600	300	256	79	64	26	5.50	6.30	Coloured	542	1850	300W	A,A+,D,E,F,G	Chrome	352	1202	150W	A,A+,D,E,F,G
1600	400	356	79	64	26	5.66	9.50	Coloured	685	2338	300W	A,A+,D,E,F,G	Chrome	446	1522	300W	A,A+,D,E,F,G
1600	500	456	79	64	26	6.51	10.80	Coloured	821	2802	300W	A,A+,D,E,F,G	Chrome	537	1833	300W	A,A+,D,E,F,G
1600	600	556	79	64	26	7.36	12.20	Coloured	953	3252	600W	A,A+,D,E,F,G	Chrome	624	2130	300W	A,A+,D,E,F,G
1800	300	256	79	64	30	6.30	7.30	Coloured	619	2113	300W	A,A+,D,E,F,G	Chrome	405	1382	150W	A,A+,D,E,F,G
1800	400	356	79	64	30	6.45	10.80	Coloured	782	2669	300W	A,A+,D,E,F,G	Chrome	514	1754	300W	A,A+,D,E,F,G
1800	500	456	79	64	30	7.43	12.20	Coloured	938	3201	600W	A,A+,D,E,F,G	Chrome	618	2109	300W	A,A+,D,E,F,G
1800	600	556	79	64	30	8.41	13.80	Coloured	1088	3713	600W	A,A+,D,E,F,G	Chrome	719	2454	300W	A,A+,D,E,F,G

Wingrave - Curved																	
Height H (mm)	Width W (mm)	Tappings C (mm)	Distance from wall - D (mm)	Tappings from wall - A (mm)	Tube Qty	Water Content L	Weight KG	Colour	▲T60		Element Output	Element Type	Colour	▲T60		Element Output	Element Type
									Watts	BTU				Watts	BTU		
800	400	356	92	65	14	3.00	4.9	Coloured	337	337	150W	A,A+,D,E,F,G	Chrome	217	741	150W	A,A+,D,E,F,G
800	500	456	92	65	14	3.58	5.9	Coloured	404	404	150W	A,A+,D,E,F,G	Chrome	261	891	150W	A,A+,D,E,F,G
800	600	556	92	65	14	4.39	7.2	Coloured	468	468	300W	A,A+,D,E,F,G	Chrome	303	1034	150W	A,A+,D,E,F,G
1000	400	356	92	65	16	5.77	9.5	Coloured	419	1430	150W	A,A+,D,E,F,G	Chrome	269	918	150W	A,A+,D,E,F,G
1000	500	456	92	65	16	6.58	10.8	Coloured	502	1713	300W	A,A+,D,E,F,G	Chrome	324	1106	150W	A,A+,D,E,F,G
1000	600	556	92	65	16	3.46	5.7	Coloured	582	1986	300W	A,A+,D,E,F,G	Chrome	376	1283	150W	A,A+,D,E,F,G
1200	400	356	92	65	20	4.12	6.8	Coloured	503	1717	300W	A,A+,D,E,F,G	Chrome	324	1106	150W	A,A+,D,E,F,G
1200	500	456	92	65	20	5.05	8.3	Coloured	604	2061	300W	A,A+,D,E,F,G	Chrome	390	1331	150W	A,A+,D,E,F,G
1200	600	556	92	65	20	6.64	10.8	Coloured	700	2389	300W	A,A+,D,E,F,G	Chrome	454	1550	300W	A,A+,D,E,F,G
1600	400	356	92	65	26	7.58	12.2	Coloured	685	2338	300W	A,A+,D,E,F,G	Chrome	446	1522	150W	A,A+,D,E,F,G
1600	500	456	92	65	26	3.93	6.5	Coloured	821	2802	450W	A,A+,D,E,F,G	Chrome	537	1833	300W	A,A+,D,E,F,G
1600	600	556	92	65	26	4.65	7.7	Coloured	953	3252	450W	A,A+,D,E,F,G	Chrome	624	2130	300W	A,A+,D,E,F,G
1800	400	356	92	65	30	5.72	9.4	Coloured	782	2669	300W	A,A+,D,E,F,G	Chrome	514	1754	300W	A,A+,D,E,F,G
1800	500	456	92	65	30	7.51	12.2	Coloured	938	3201	450W	A,A+,D,E,F,G	Chrome	618	2109	300W	A,A+,D,E,F,G
1800	600	556	92	65	30	8.58	13.8	Coloured	1088	3713	450W	A,A+,D,E,F,G	Chrome	719	2454	450W	A,A+,D,E,F,G

Technical Tables & Drawings

WINGRAVE - STRAIGHT

WINGRAVE - CURVED



Wingrave
Straight



Wingrave
Curved

Technical Tables & Drawings

WENDOVER - THE MULTIRAIL RANGE

Wendover - Straight																	
Height H (mm)	Width W (mm)	Tappings C (mm)	Tappings from wall - A (mm)	Distance from wall - D (mm)	Tube Qty	Water Content L	Weight KG	Colour	▲T60		Element Output	Element Type	Colour	▲T60		Element Output	Element Type
									Watts	BTU				Watts	BTU		
360	400	350	-	90-105	7	-	-	Coloured	112	423	N/A	N/A	Chrome	112	347	N/A	N/A
600	300	250	75-90	90-105	10	1.81	3.08	Coloured	196	669	100W	A,A+,D,E,F,G	Chrome	155	529	100W	A,A+,D,E,F,G
600	400	350	75-90	90-105	10	2.13	3.55	Coloured	241	822	150W	A,A+,D,E,F,G	Chrome	190	648	100W	A,A+,D,E,F,G
600	500	450	75-90	90-105	10	2.45	4.01	Coloured	285	972	150W	A,A+,D,E,F,G	Chrome	225	768	100W	A,A+,D,E,F,G
600	600	550	75-90	90-105	10	2.77	4.48	Coloured	330	1126	150W	A,A+,D,E,F,G	Chrome	260	887	150W	A,A+,D,E,F,G
600	750	700	75-90	90-105	10	3.25	5.18	Coloured	397	1355	150W	A,A+,D,E,F,G	Chrome	313	1068	150W	A,A+,D,E,F,G
600	1000	950	75-90	90-105	10	4.05	6.35	Coloured	510	1740	300W	A,A+,D,E,F,G	Chrome	401	1368	150W	A,A+,D,E,F,G
600	1200	1150	75-90	90-105	10	4.69	7.28	Coloured	600	2047	300W	A,A+,D,E,F,G	Chrome	472	1610	150W	A,A+,D,E,F,G
800	300	250	75-90	90-105	14	2.46	4.04	Coloured	267	911	150W	A,A+,D,E,F,G	Chrome	211	720	100W	A,A+,D,E,F,G
800	400	350	75-90	90-105	14	2.91	4.69	Coloured	330	1126	150W	A,A+,D,E,F,G	Chrome	260	887	150W	A,A+,D,E,F,G
800	500	450	75-90	90-105	14	3.36	5.34	Coloured	394	1344	150W	A,A+,D,E,F,G	Chrome / Brushed Brass	309	1054	150W	A,A+,D,E,F,G
800	600	550	75-90	90-105	14	3.80	6.00	Coloured	457	1559	150W	A,A+,D,E,F,G	Chrome / Brushed Brass	359	1225	150W	A,A+,D,E,F,G
800	750	700	75-90	90-105	14	4.48	6.98	Coloured	551	1880	300W	A,A+,D,E,F,G	Chrome	433	1477	150W	A,A+,D,E,F,G
1000	300	250	75-90	90-105	16	2.97	4.78	Coloured	320	1092	150W	A,A+,D,E,F,G	Chrome	251	856	150W	A,A+,D,E,F,G
1000	400	350	75-90	90-105	16	3.48	5.53	Coloured	392	1338	150W	A,A+,D,E,F,G	Chrome	308	1051	150W	A,A+,D,E,F,G
1000	500	450	75-90	90-105	16	3.99	6.27	Coloured	464	1583	150W	A,A+,D,E,F,G	Chrome	364	1242	150W	A,A+,D,E,F,G
1000	600	550	75-90	90-105	16	4.51	7.02	Coloured	535	1825	300W	A,A+,D,E,F,G	Chrome	421	1436	150W	A,A+,D,E,F,G
1000	750	700	75-90	90-105	16	5.28	8.14	Coloured	643	2194	300W	A,A+,D,E,F,G	Chrome	506	1726	300W	A,A+,D,E,F,G
1200	300	250	75-90	90-105	20	3.62	5.73	Coloured	392	1338	150W	A,A+,D,E,F,G	Chrome	308	1051	150W	A,A+,D,E,F,G
1200	400	350	75-90	90-105	20	4.26	6.67	Coloured	482	1645	300W	A,A+,D,E,F,G	Chrome	379	1293	150W	A,A+,D,E,F,G
1200	500	450	75-90	90-105	20	4.90	7.60	Coloured	571	1948	300W	A,A+,D,E,F,G	Chrome / Brushed Brass	450	1535	150W	A,A+,D,E,F,G
1200	600	550	75-90	90-105	20	5.54	8.54	Coloured	661	2255	300W	A,A+,D,E,F,G	Chrome / Brushed Brass	554	1890	300W	A,A+,D,E,F,G
1200	750	700	75-90	90-105	20	6.50	9.94	Coloured	796	2716	450W	A,A+,D,E,F,G	Chrome	626	2136	300W	A,A+,D,E,F,G
1400	500	450	75-90	90-105	22	5.50	9.10	-	-	-	-	-	Brushed Brass	504	1720	150W	A,A+,D,E,F,G
1400	600	550	75-90	90-105	22	6.20	10.10	-	-	-	-	-	Brushed Brass	582	1986	300W	A,A+,D,E,F,G
1600	300	250	75-90	90-105	26	4.78	7.43	Coloured	516	1761	300W	A,A+,D,E,F,G	Chrome	406	1385	150W	A,A+,D,E,F,G
1600	400	350	75-90	90-105	26	5.61	8.65	Coloured	632	2156	300W	A,A+,D,E,F,G	Chrome	497	1696	300W	A,A+,D,E,F,G
1600	500	450	75-90	90-105	26	6.44	9.86	Coloured	749	2556	450W	A,A+,D,E,F,G	Chrome / Brushed Brass	589	2010	300W	A,A+,D,E,F,G
1600	600	550	75-90	90-105	26	7.28	11.08	Coloured	867	2958	450W	A,A+,D,E,F,G	Chrome / Brushed Brass	681	2324	300W	A,A+,D,E,F,G
1600	750	700	75-90	90-105	26	8.53	12.90	Coloured	1041	3552	600W	A,A+,D,E,F,G	Chrome	819	2794	450W	A,A+,D,E,F,G
1800	300	250	75-90	90-105	30	5.43	8.39	Coloured	588	2006	300W	A,A+,D,E,F,G	Chrome	462	1576	150W	A,A+,D,E,F,G
1800	400	360	75-90	90-105	30	6.39	9.79	Coloured	723	2467	300W	A,A+,D,E,F,G	Chrome	568	1938	300W	A,A+,D,E,F,G
1800	500	450	75-90	90-105	30	7.35	11.19	Coloured	856	2921	450W	A,A+,D,E,F,G	Chrome / Brushed Brass	675	2303	300W	A,A+,D,E,F,G
1800	600	550	75-90	90-105	30	8.31	12.59	Coloured	991	3381	600W	A,A+,D,E,F,G	Chrome / Brushed Brass	780	2661	450W	A,A+,D,E,F,G
1800	750	700	75-90	90-105	30	9.75	14.69	Coloured	1193	4071	600W	A,A+,D,E,F,G	Chrome	940	3207	450W	A,A+,D,E,F,G



Wendover
Straight

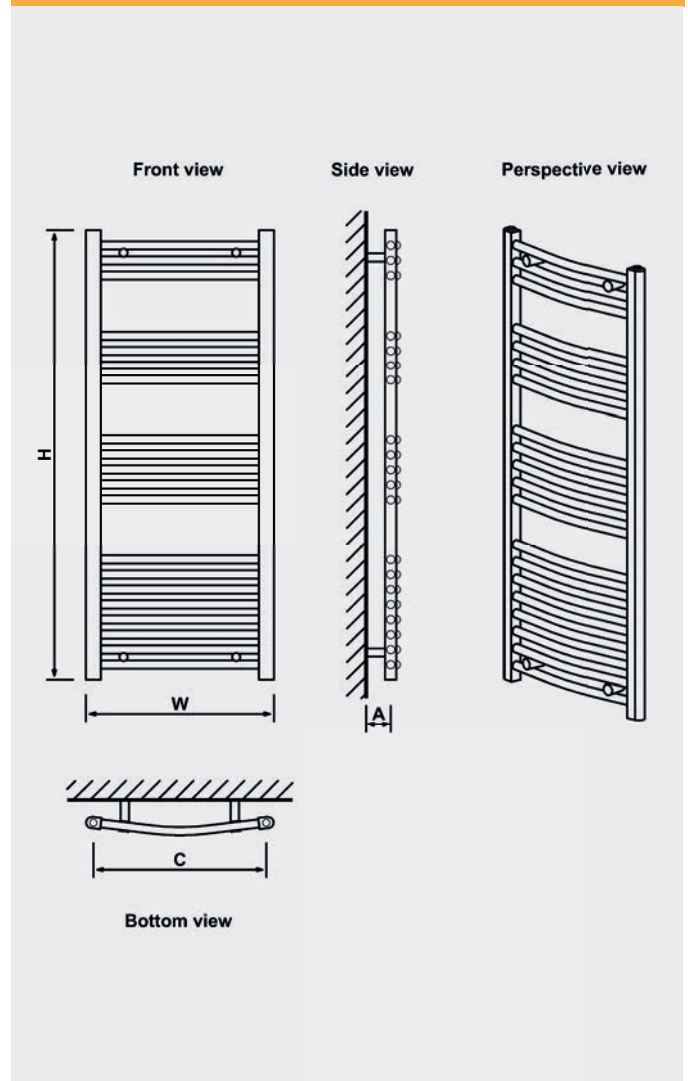
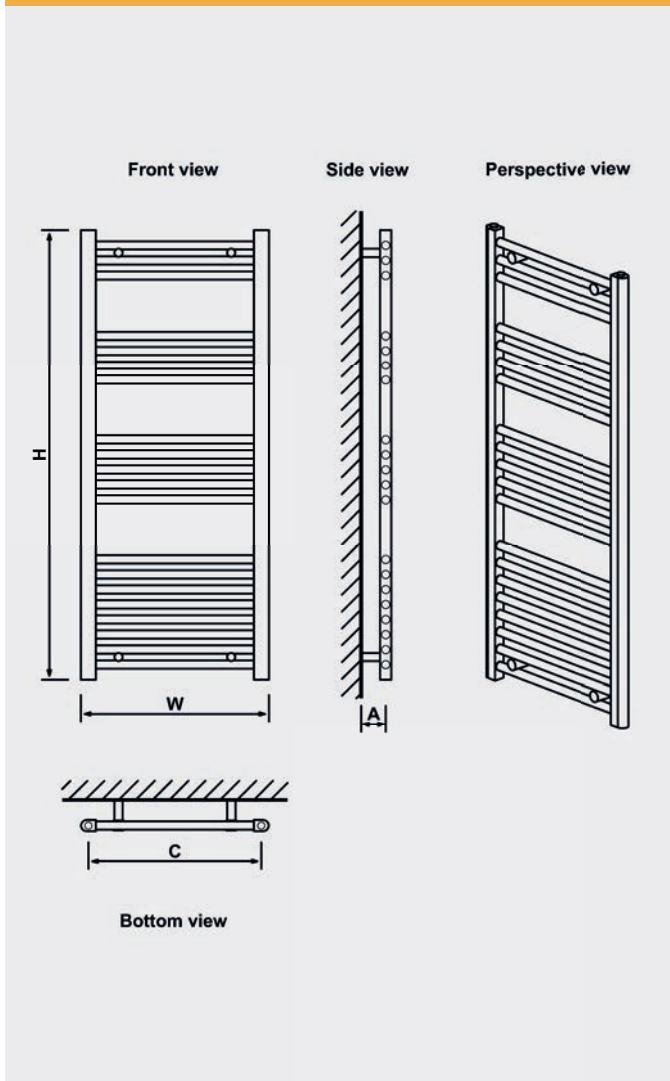


Wendover
Curved

Technical Tables & Drawings

WENDOVER - STRAIGHT

WENDOVER - CURVED



Wendover - Curved																	
Height H (mm)	Width W (mm)	Tappings C (mm)	Tappings from wall - A (mm)	Distance from wall - D (mm)	Tube Qty	Water Content L	Weight KG	Colour	▲T60		Element Output	Element Type	Colour	▲T60		Element Output	Element Type
									Watts	BTU				Watts	BTU		
600	400	350	60-75	87-102	10	2.13	3.55	Coloured	241	822	150W	A,A+,D,E,F,G	Chrome	190	648	100W	A,A+,D,E,F,G
600	500	450	55-70	94-109	10	2.45	4.01	Coloured	285	972	150W	A,A+,D,E,F,G	Chrome	225	768	100W	A,A+,D,E,F,G
600	600	550	50-65	98-113	10	2.77	4.48	Coloured	330	1126	150W	A,A+,D,E,F,G	Chrome	260	887	150W	A,A+,D,E,F,G
600	750	700	70-90	194-214	10	3.35	5.31	Coloured	397	1355	150W	A,A+,D,E,F,G	Chrome	313	1068	150W	A,A+,D,E,F,G
800	400	350	60-75	87-102	14	2.93	4.72	Coloured	333	1136	150W	A,A+,D,E,F,G	Chrome	263	897	150W	A,A+,D,E,F,G
800	500	450	55-70	94-109	14	3.37	5.37	Coloured	396	1351	150W	A,A+,D,E,F,G	Chrome	312	1065	150W	A,A+,D,E,F,G
800	600	550	50-65	98-113	14	3.82	6.02	Coloured	459	1566	150W	A,A+,D,E,F,G	Chrome	361	1232	150W	A,A+,D,E,F,G
800	750	700	70-90	194-214	14	4.62	7.16	Coloured	551	1880	300W	A,A+,D,E,F,G	Chrome	433	1477	150W	A,A+,D,E,F,G
1000	400	350	60-75	87-102	16	3.50	5.56	Coloured	395	1348	150W	A,A+,D,E,F,G	Chrome	310	1058	150W	A,A+,D,E,F,G
1000	500	450	55-70	94-109	16	4.01	6.30	Coloured	467	1593	150W	A,A+,D,E,F,G	Chrome	367	1252	150W	A,A+,D,E,F,G
1000	600	550	50-65	98-113	16	4.53	7.05	Coloured	539	1839	300W	A,A+,D,E,F,G	Chrome	423	1443	150W	A,A+,D,E,F,G
1000	750	700	70-90	194-214	16	5.44	8.35	Coloured	643	2194	300W	A,A+,D,E,F,G	Chrome	506	1726	300W	A,A+,D,E,F,G
1200	400	350	60-75	87-102	20	4.28	6.71	Coloured	486	1658	300W	A,A+,D,E,F,G	Chrome	382	1303	150W	A,A+,D,E,F,G
1200	500	450	55-70	94-109	20	4.93	7.64	Coloured	575	1962	300W	A,A+,D,E,F,G	Chrome	452	1542	150W	A,A+,D,E,F,G
1200	600	550	50-65	98-113	20	5.57	8.57	Coloured	665	2269	300W	A,A+,D,E,F,G	Chrome	523	1784	300W	A,A+,D,E,F,G
1200	750	700	70-90	194-214	20	6.71	10.20	Coloured	796	2716	450W	A,A+,D,E,F,G	Chrome	626	2136	300W	A,A+,D,E,F,G
1600	400	350	60-75	87-102	26	5.64	8.70	Coloured	637	2173	300W	A,A+,D,E,F,G	Chrome	501	1709	300W	A,A+,D,E,F,G
1600	500	450	55-70	94-109	26	6.48	9.91	Coloured	754	2573	450W	A,A+,D,E,F,G	Chrome	593	2023	300W	A,A+,D,E,F,G
1600	600	550	50-65	98-113	26	7.31	11.12	Coloured	870	2968	450W	A,A+,D,E,F,G	Chrome	685	2337	300W	A,A+,D,E,F,G
1600	750	700	70-90	194-214	26	8.79	13.24	Coloured	1041	3552	600W	A,A+,D,E,F,G	Chrome	819	2794	450W	A,A+,D,E,F,G
1800	400	350	60-75	87-102	30	6.43	9.85	Coloured	728	2484	300W	A,A+,D,E,F,G	Chrome	573	1955	300W	A,A+,D,E,F,G
1800	500	450	55-70	94-109	30	7.39	11.25	Coloured	863	2945	450W	A,A+,D,E,F,G	Chrome	678	2313	300W	A,A+,D,E,F,G
1800	600	550	50-65	98-113	30	8.35	12.65	Coloured	998	3405	600W	A,A+,D,E,F,G	Chrome	784	2675	450W	A,A+,D,E,F,G
1800	750	700	70-90	194-214	30	10.06	15.09	Coloured	1193	4071	600W	A,A+,D,E,F,G	Chrome	940	3207	450W	A,A+,D,E,F,G

Technical Tables & Drawings

TUSCAN - THE MULTIRAIL RANGE

Tuscan																	
Height H (mm)	Width W (mm)	Tappings C (mm)	Tappings from wall - A (mm)	Distance from wall - D (mm)	Tube Qty	Water Content L	Weight KG	Colour	▲T60		Element Output	Element Type	Colour	▲T60		Element Output	Element Type
									Watts	BTU				Watts	BTU		
650	450	400	65-80	80-95	5	1.78	3.26	Coloured	180	614	100W	A,A+,D,E,F,G	Chrome	142	485	100W	A,A+,D,E,F,G
650	600	550	65-80	80-95	5	2.01	3.57	Coloured	212	723	100W	A,A+,D,E,F,G	Chrome	166	566	100W	A,A+,D,E,F,G
1200	450	400	65-80	80-95	8	3.14	5.19	Coloured	315	1075	150W	A,A+,D,E,F,G	Chrome	247	843	150W	A,A+,D,E,F,G
1200	600	550	65-80	80-95	8	3.51	5.69	Coloured	365	1245	150W	A,A+,D,E,F,G	Chrome	286	976	150W	A,A+,D,E,F,G
1750	450	400	65-80	80-95	12	4.61	7.28	Coloured	464	1583	150W	A,A+,D,E,F,G	Chrome	366	1249	150W	A,A+,D,E,F,G
1750	600	550	65-80	80-95	12	5.18	8.04	Coloured	537	1832	300W	A,A+,D,E,F,G	Chrome	423	1443	150W	A,A+,D,E,F,G

BIAVA - THE MULTIRAIL RANGE

Biava Multirail - Straight																	
Height H (mm)	Width W (mm)	Tappings C (mm)	Tappings from wall - A (mm)	Distance from wall - D (mm)	Tube Qty	Water Content L	Weight KG	Colour	▲T60		Element Output	Element Type	Colour	▲T60		Element Output	Element Type
									Watts	BTU				Watts	BTU		
360	400	350	75-90	90-105	6	1.28	2.32	Coloured	145	495	100W	A,A+,D,E,F,G	Chrome	113	386	N/A	N/A
688	450	400	75-90	90-105	14	2.93	4.74	Coloured	344	1174	150W	A,A+,D,E,F,G	Chrome	270	921	150W	A,A+,D,E,F,G
688	600	550	75-90	90-105	14	3.60	5.72	Coloured	438	1494	150W	A,A+,D,E,F,G	Chrome	344	1174	150W	A,A+,D,E,F,G
688	750	700	75-90	90-105	14	4.27	6.70	Coloured	532	1815	300W	A,A+,D,E,F,G	Chrome	418	1426	150W	A,A+,D,E,F,G
1118	450	400	75-90	80-100	22	4.67	7.29	Coloured	546	1863	300W	A,A+,D,E,F,G	Chrome	430	1467	150W	A,A+,D,E,F,G
1118	600	550	75-90	80-100	22	5.72	8.83	Coloured	695	2371	300W	A,A+,D,E,F,G	Chrome	546	1863	300W	A,A+,D,E,F,G
1118	750	700	75-90	80-100	22	6.78	10.37	Coloured	843	2876	450W	A,A+,D,E,F,G	Chrome	663	2262	300W	A,A+,D,E,F,G
1720	450	400	75-90	80-100	34	7.20	10.99	Coloured	843	2876	450W	A,A+,D,E,F,G	Chrome	663	2262	300W	A,A+,D,E,F,G
1720	600	550	75-90	80-100	34	8.83	13.37	Coloured	1072	3658	600W	A,A+,D,E,F,G	Chrome	843	2876	450W	A,A+,D,E,F,G
1720	750	700	75-90	80-100	34	10.46	15.76	Coloured	1302	4442	750W	A,A+,D,E,F,G	Chrome	1024	3494	600W	A,A+,D,E,F,G

Biava Multirail - Curved																	
Height H (mm)	Width W (mm)	Tappings C (mm)	Tappings from wall - A (mm)	Distance from wall - D (mm)	Tube Qty	Water Content L	Weight KG	Colour	▲T60		Element Output	Element Type	Colour	▲T60		Element Output	Element Type
									Watts	BTU				Watts	BTU		
360	400	350	60-75	87-102	6	1.29	2.33	Coloured	145	495	100W	A,A+,D,E,F,G	Chrome	114	389	N/A	N/A
688	450	400	57-72	90-105	14	2.94	4.76	Coloured	347	1184	150W	A,A+,D,E,F,G	Chrome	273	931	150W	A,A+,D,E,F,G
688	600	550	50-65	98-113	14	3.62	5.74	Coloured	440	1501	150W	A,A+,D,E,F,G	Chrome	347	1184	150W	A,A+,D,E,F,G
688	750	700	75-90	194-214	14	4.42	6.86	Coloured	535	1825	300W	A,A+,D,E,F,G	Chrome	421	1436	150W	A,A+,D,E,F,G
1118	450	400	57-72	96-111	22	4.69	7.33	Coloured	550	1877	300W	A,A+,D,E,F,G	Chrome	433	1477	150W	A,A+,D,E,F,G
1118	600	550	50-65	104-119	22	5.75	8.87	Coloured	699	2385	300W	A,A+,D,E,F,G	Chrome	549	1873	300W	A,A+,D,E,F,G
1118	750	700	75-90	194-214	22	7.01	10.63	Coloured	846	2887	450W	A,A+,D,E,F,G	Chrome	666	2272	300W	A,A+,D,E,F,G
1720	450	400	57-72	96-111	34	7.24	11.06	Coloured	849	2897	450W	A,A+,D,E,F,G	Chrome	668	2279	300W	A,A+,D,E,F,G
1720	600	550	50-65	104-119	34	8.87	13.44	Coloured	1078	3678	600W	A,A+,D,E,F,G	Chrome	848	2893	450W	A,A+,D,E,F,G
1720	750	700	75-90	194-214	34	10.81	16.18	Coloured	1307	4459	750W	A,A+,D,E,F,G	Chrome	1029	3511	600W	A,A+,D,E,F,G

Biava Multirail Hidden Vent (HV) - Straight																	
Height H (mm)	Width W (mm)	Tappings C (mm)	Tappings from wall - A (mm)	Tube Qty	Water Content L	Weight KG	Colour	▲T60		Element Output	Element Type	Colour	▲T60		Element Output	Element Type	
								Watts	BTU				Watts	BTU			
360	400	350	70-85	6	1.40	2.20	Coloured	145	495	100W	A,A+,D,E,F,G	Chrome	113	386	N/A	N/A	
688	450	400	70-85	14	3.10	4.90	Coloured	344	1174	150W	A,A+,D,E,F,G	Chrome	270	921	150W	A,A+,D,E,F,G	
688	600	550	70-85	14	3.70	5.90	Coloured	438	1494	150W	A,A+,D,E,F,G	Chrome	344	1174	150W	A,A+,D,E,F,G	
688	750	700	70-85	14	4.40	7.00	Coloured	532	1815	300W	A,A+,D,E,F,G	Chrome	418	1426	150W	A,A+,D,E,F,G	
1118	450	400	70-85	22	4.88	7.70	Coloured	546	1863	300W	A,A+,D,E,F,G	Chrome	430	1467	150W	A,A+,D,E,F,G	
1118	600	550	70-85	22	5.94	9.40	Coloured	695	2371	300W	A,A+,D,E,F,G	Chrome	546	1863	300W	A,A+,D,E,F,G	
1118	750	700	70-85	22	7.00	11.00	Coloured	843	2876	450W	A,A+,D,E,F,G	Chrome	663	2262	300W	A,A+,D,E,F,G	
1720	450	400	70-85	34	7.53	11.90	Coloured	843	2876	450W	A,A+,D,E,F,G	Chrome	663	2262	300W	A,A+,D,E,F,G	
1720	600	550	70-85	34	9.17	14.40	Coloured	1072	3658	600W	A,A+,D,E,F,G	Chrome	843	2876	450W	A,A+,D,E,F,G	
1720	750	700	70-85	34	10.80	17.00	Coloured	1302	4442	750W	A,A+,D,E,F,G	Chrome	1024	3494	600W	A,A+,D,E,F,G	

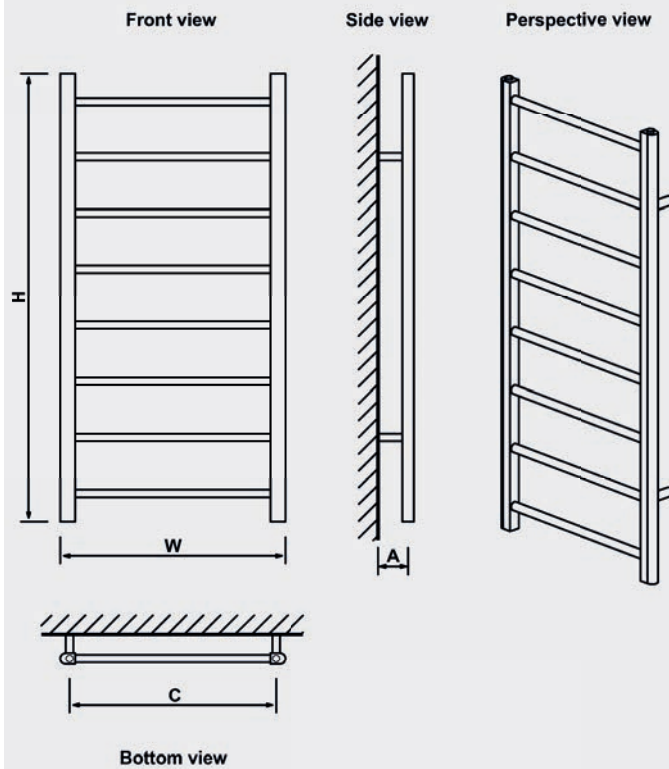


Tuscan

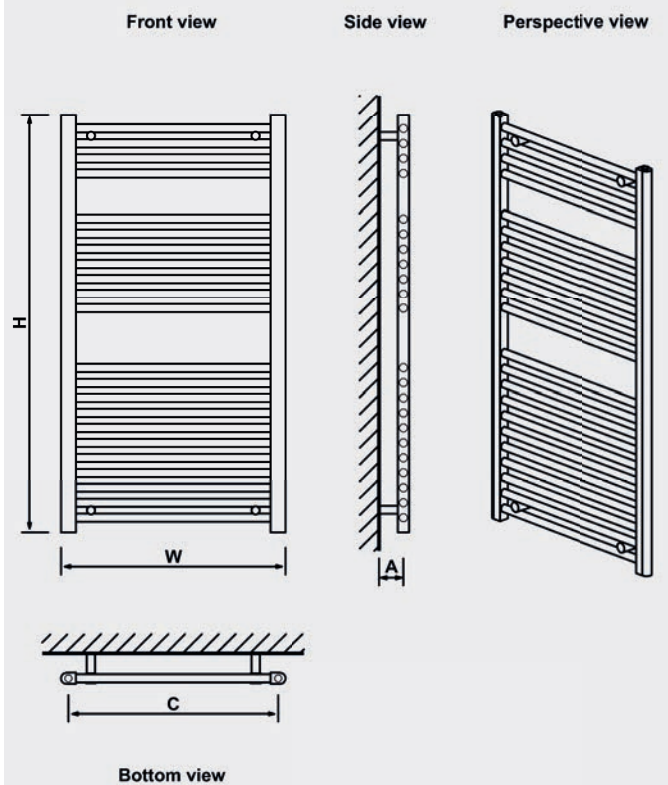
Biava Multirail
StraightBiava Multirail
CurvedBiava Multirail HV
Straight

Technical Tables & Drawings

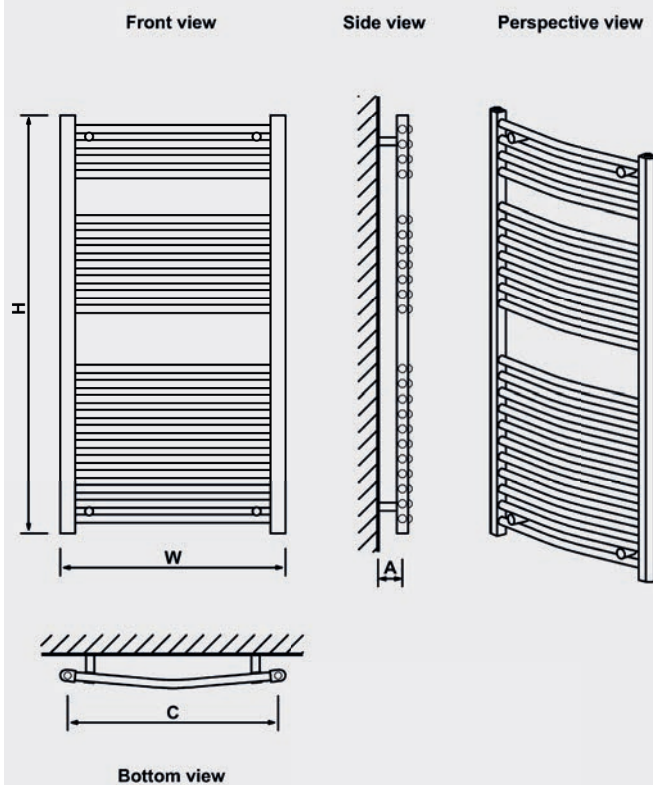
TUSCAN



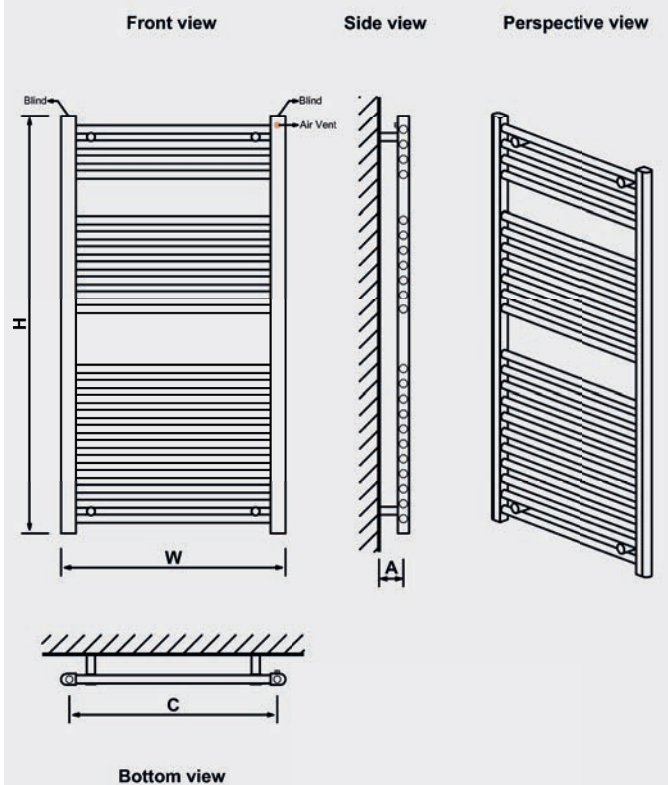
BIAVA MULTIRAIL - STRAIGHT



BIAVA MULTIRAIL - CURVED



BIAVA HIDDEN VENT (HV) - STRAIGHT



Technical Tables & Drawings

WESTWARD STRAIGHT - THE MULTIRAIL RANGE

Westward - Straight

Height H (mm)	Width W (mm)	Tappings C (mm)	Distance from wall - D (mm)	Tappings from wall - A (mm)	Tube Qty	Water Content L	Weight KG	Colour	▲T60		Element Output	Element Type	Colour	▲T60		Element Output	Element Type
									Watts	BTU				Watts	BTU		
600	500	456	79	65	11	3.00	5.70	Coloured	371	1266	150W	A, A+, D, E, F, G	Chrome	245	836	150W	A, A+, D, E, F, G
600	600	556	79	65	11	3.50	6.40	Coloured	434	1481	150W	A, A+, D, E, F, G	Chrome	287	979	150W	A, A+, D, E, F, G
600	800	756	79	65	11	4.40	8.00	Coloured	560	1911	300W	A, A+, D, E, F, G	Chrome	371	1266	150W	A, A+, D, E, F, G
800	400	356	79	65	14	3.30	6.20	Coloured	399	1361	150W	A, A+, D, E, F, G	Chrome	263	897	150W	A, A+, D, E, F, G
800	500	456	79	65	14	3.90	7.20	Coloured	479	1634	300W	A, A+, D, E, F, G	Chrome	316	1078	150W	A, A+, D, E, F, G
800	600	556	79	65	14	4.50	8.20	Coloured	599	1907	300W	A, A+, D, E, F, G	Chrome	370	1262	150W	A, A+, D, E, F, G
1200	400	356	79	65	20	4.90	8.80	Coloured	550	1877	300W	A, A+, D, E, F, G	Chrome	375	1280	150W	A, A+, D, E, F, G
1200	500	456	79	65	20	5.70	10.30	Coloured	660	2252	300W	A, A+, D, E, F, G	Chrome	450	1535	150W	A, A+, D, E, F, G
1200	600	556	79	65	20	6.50	11.80	Coloured	768	2621	450W	A, A+, D, E, F, G	Chrome	524	1788	300W	A, A+, D, E, F, G
1800	400	356	79	65	30	7.30	13.00	Coloured	816	2784	450W	A, A+, D, E, F, G	Chrome	564	1924	300W	A, A+, D, E, F, G
1800	500	456	79	65	30	8.50	15.20	Coloured	978	3337	600W	A, A+, D, E, F, G	Chrome	677	2310	300W	A, A+, D, E, F, G
1800	600	556	79	65	30	9.80	17.40	Coloured	1140	3890	600W	A, A+, D, E, F, G	Chrome	788	2689	450W	A, A+, D, E, F, G

RION MULTIRAIL - THE MULTIRAIL RANGE

Rion Multirail

Height H (mm)	Width W (mm)	Tappings C (mm)	Distance from wall - D (mm)	Tappings from wall - A (mm)	Tube Qty	Water Content L	Weight KG	Colour	▲T60		Element Output	Element Type	Colour	▲T60		Element Output	Element Type
									Watts	BTU				Watts	BTU		
800	500	455	95	80	13	3.24	7.00	Coloured	419	1430	150W	A, A+, D, E, F, G	Chrome	269	918	100W	A, A+, D, E, F, G
800	600	555	95	80	13	3.65	8.20	Coloured	478	1631	150W	A, A+, D, E, F, G	Chrome	304	1038	100W	A, A+, D, E, F, G
1200	500	455	95	80	22	5.21	11.00	Coloured	649	2215	150W	A, A+, D, E, F, G	Chrome	420	1434	150W	A, A+, D, E, F, G
1200	600	555	95	80	22	5.89	13.03	Coloured	740	2525	300W	A, A+, D, E, F, G	Chrome	475	1621	150W	A, A+, D, E, F, G
1800	500	455	95	80	31	7.54	15.40	Coloured	985	3361	300W	A, A+, D, E, F, G	Chrome	653	2229	150W	A, A+, D, E, F, G
1800	600	555	95	80	31	8.50	18.40	Coloured	1122	3829	300W	A, A+, D, E, F, G	Chrome	738	2519	300W	A, A+, D, E, F, G

CORINIUM ROUND - THE MULTIRAIL RANGE

Corinium Round

Height H (mm)	Width W (mm)	Tappings C (mm)	Distance from wall - D (mm)	Tappings from wall - A (mm)	Tube Qty	Water Content L	Weight KG	Colour	▲T60		Element Output	Element Type	Colour	▲T60		Element Output	Element Type
									Watts	BTU				Watts	BTU		
800	500	458	106	85	12	3.90	5.07	Coloured	392	1338	150W	A, A+, D, E, F, G	Chrome	261	891	100W	A, A+, D, E, F, G
800	600	558	106	85	12	4.30	5.72	Coloured	458	1563	150W	A, A+, D, E, F, G	Chrome	305	1041	100W	A, A+, D, E, F, G
1200	500	458	106	85	18	5.80	7.43	Coloured	596	2034	150W	A, A+, D, E, F, G	Chrome	396	1352	150W	A, A+, D, E, F, G
1200	600	558	106	85	18	6.40	8.41	Coloured	696	2375	150W	A, A+, D, E, F, G	Chrome	462	1577	150W	A, A+, D, E, F, G
1800	500	458	106	85	27	8.70	10.98	Coloured	906	3092	300W	A, A+, D, E, F, G	Chrome	606	2068	150W	A, A+, D, E, F, G
1800	600	558	106	85	27	9.60	12.45	Coloured	1058	3610	300W	A, A+, D, E, F, G	Chrome	707	2413	150W	A, A+, D, E, F, G

TUSCAN ROUND - THE MULTIRAIL RANGE

Tuscan Round

Height H (mm)	Width W (mm)	Tappings C (mm)	Distance from wall - D (mm)	Tappings from wall - A (mm)	Tube Qty	Water Content L	Weight KG	Colour	▲T60		Element Output	Element Type	Colour	▲T60		Element Output	Element Type
									Watts	BTU				Watts	BTU		
800	500	458	106	85	7	3.10	4.04	Coloured	306	1045	100W	A, A+, D, E, F, G	Chrome	201	686	100W	A, A+, D, E, F, G
800	600	558	106	85	7	3.30	4.42	Coloured	352	1202	100W	A, A+, D, E, F, G	Chrome	232	792	100W	A, A+, D, E, F, G
1200	500	458	106	85	10	4.50	5.78	Coloured	459	1567	150W	A, A+, D, E, F, G	Chrome	303	1034	100W	A, A+, D, E, F, G
1200	600	558	106	85	10	4.80	6.33	Coloured	529	1805	150W	A, A+, D, E, F, G	Chrome	350	1195	100W	A, A+, D, E, F, G
1800	500	458	106	85	15	6.70	8.51	Coloured	688	2348	150W	A, A+, D, E, F, G	Chrome	454	1550	150W	A, A+, D, E, F, G
1800	600	558	106	85	15	7.20	9.32	Coloured	794	2710	300W	A, A+, D, E, F, G	Chrome	525	1792	150W	A, A+, D, E, F, G



Westward Straight



Rion Multirail



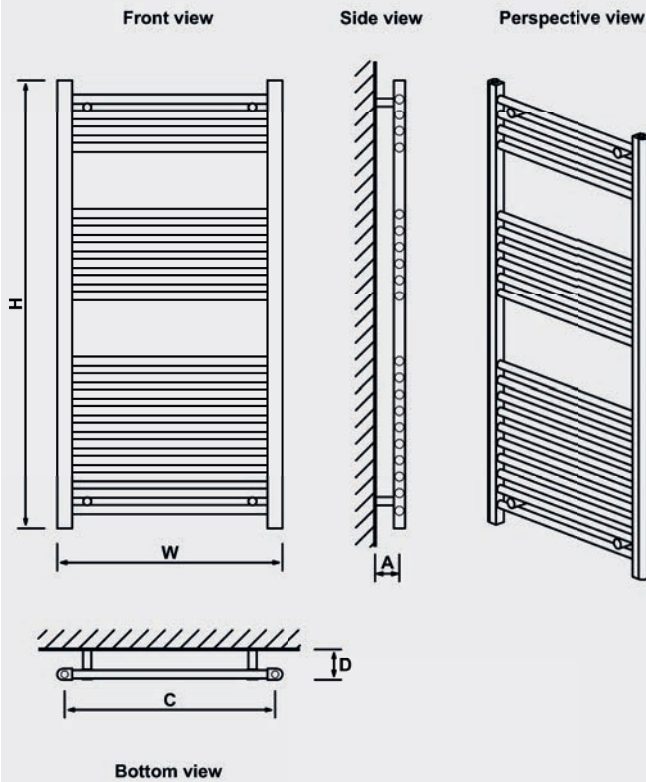
Corinium Round



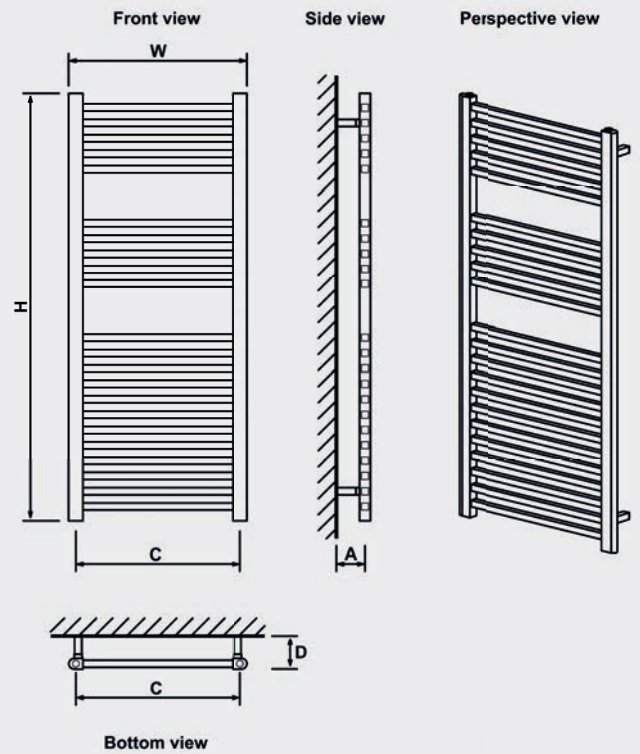
Tuscan Round

Technical Tables & Drawings

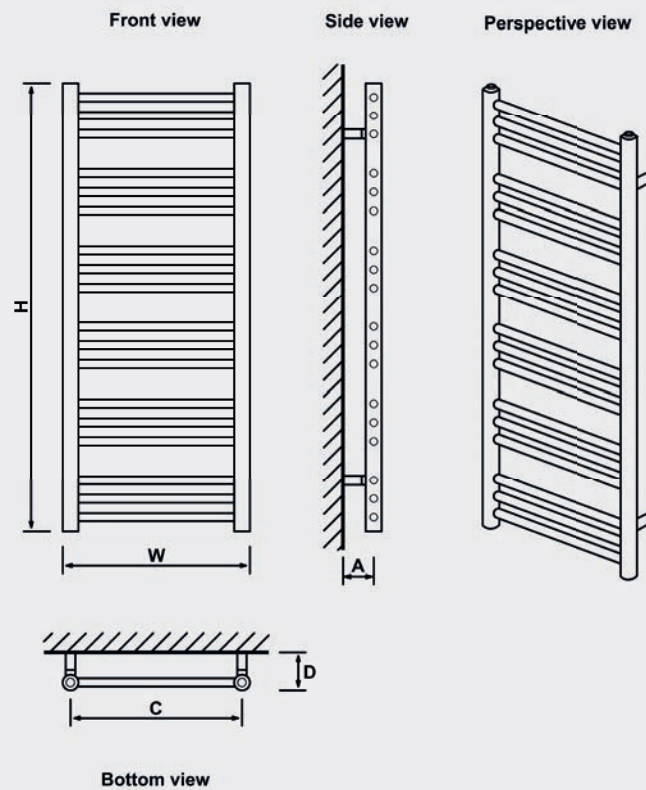
WESTWARD - STRAIGHT



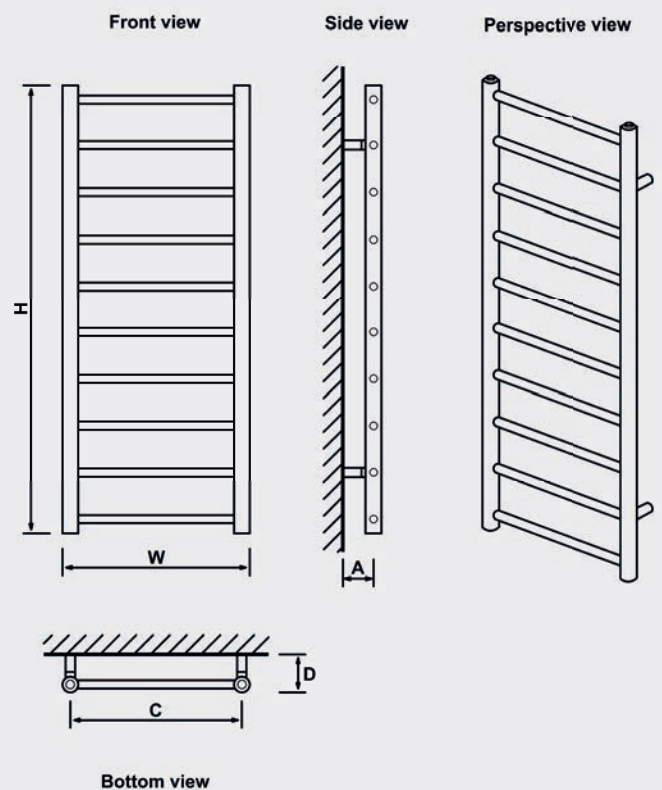
RION MULTIRAIL



CORINIUM ROUND



TUSCAN ROUND



Technical Tables & Drawings

BIAVA ROUND - MULTIRAIL RANGE

Biava Round

Height H (mm)	Width W (mm)	Tappings C (mm)	Tappings from wall - D (mm)	Distance from wall - D (mm)	Tube Qty	Water Content L	Weight KG	Colour	▲T60		Element Output	Element Type	Colour	▲T60		Element Output	Element Type
									Watts	BTU				Watts	BTU		
600	400	362	63-73	82-92	10	1.91	3.67	Coloured	218	744	100W	A, A+, D, E, F, G	Chrome	172	587	100W	A, A+, D, E, F, G
600	500	462	63-73	82-92	10	2.14	4.07	Coloured	257	877	150W	A, A+, D, E, F, G	Chrome	202	689	100W	A, A+, D, E, F, G
600	600	562	63-73	82-92	10	2.37	4.47	Coloured	296	1010	150W	A, A+, D, E, F, G	Chrome	234	798	150W	A, A+, D, E, F, G
1200	400	362	63-73	82-92	18	3.66	6.25	Coloured	412	1406	150W	A, A+, D, E, F, G	Chrome	324	1105	150W	A, A+, D, E, F, G
1200	500	462	63-73	82-92	18	4.08	6.97	Coloured	482	1645	300W	A, A+, D, E, F, G	Chrome	379	1293	150W	A, A+, D, E, F, G
1200	600	562	63-73	82-92	18	4.50	7.69	Coloured	552	1883	300W	A, A+, D, E, F, G	Chrome	435	1484	150W	A, A+, D, E, F, G
1800	400	362	63-73	82-92	27	5.50	8.96	Coloured	618	2109	300W	A, A+, D, E, F, G	Chrome	486	1658	300W	A, A+, D, E, F, G
1800	500	462	63-73	82-92	27	6.12	10.04	Coloured	723	2467	450W	A, A+, D, E, F, G	Chrome	569	1941	300W	A, A+, D, E, F, G
1800	600	562	63-73	82-92	27	6.75	11.12	Coloured	827	2822	450W	A, A+, D, E, F, G	Chrome	651	2221	300W	A, A+, D, E, F, G

BIAVA TUBE ON TUBE - MULTIRAIL RANGE

Biava Tube on Tube

Height H (mm)	Width W (mm)	Tappings C (mm)	Tappings from wall - D (mm)	Distance from wall - D (mm)	Tube Qty	Water Content L	Weight KG	Colour	▲T60		Element Output	Element Type	Colour	▲T60		Element Output	Element Type
									Watts	BTU				Watts	BTU		
600	400	350	51-66	85-100	10	1.72	3.34	-	-	-	-	-	Chrome	183	624	100W	A, A+, D, E, F, G
600	500	450	51-66	85-100	10	1.95	3.74	-	-	-	-	-	Chrome	214	730	100W	A, A+, D, E, F, G
600	600	550	51-66	85-100	10	2.18	4.14	-	-	-	-	-	Chrome	245	836	150W	A, A+, D, E, F, G
1200	400	350	51-66	85-100	25	3.89	7.05	-	-	-	-	-	Chrome	428	1460	150W	A, A+, D, E, F, G
1200	500	450	51-66	85-100	25	4.47	8.05	-	-	-	-	-	Chrome	505	1723	300W	A, A+, D, E, F, G
1200	600	550	51-66	85-100	25	5.05	9.05	-	-	-	-	-	Chrome	580	1979	300W	A, A+, D, E, F, G
1800	400	350	51-66	85-100	39	5.98	10.59	-	-	-	-	-	Chrome	661	2255	300W	A, A+, D, E, F, G
1800	500	450	51-66	85-100	39	6.88	12.15	-	-	-	-	-	Chrome	780	2661	450W	A, A+, D, E, F, G
1800	600	550	51-66	85-100	39	7.79	13.71	-	-	-	-	-	Chrome	898	3064	450W	A, A+, D, E, F, G

LAUNTON - THE MULTIRAIL RANGE

Launton

Height H (mm)	Width W (mm)	Tappings C (mm)	Distance from wall - D (mm)	Tappings from wall - A (mm)	Tube Qty	Water Content L	Weight KG	Colour	▲T60		Element Output	Element Type	Colour	▲T60		Element Output	Element Type
									Watts	BTU				Watts	BTU		
1200	500	470	255-270	70-85	11	4.00	8.30	Coloured	439	1496	150W	A, A+, D, E, F, G	Chrome	290	991	150W	A, A+, D, E, F, G
1200	600	570	255-270	70-85	11	4.40	9.30	Coloured	489	1670	300W	A, A+, D, E, F, G	Chrome	324	1106	150W	A, A+, D, E, F, G

HADDENHAM - THE MULTIRAIL RANGE

Haddenham

Height H (mm)	Width W (mm)	Tappings C (mm)	Distance from wall - D (mm)	Tappings from wall - A (mm)	Tube Qty	Water Content L	Weight KG	Colour	▲T60		Element Output	Element Type	Colour	▲T60		Element Output	Element Type
									Watts	BTU				Watts	BTU		
1200	500	455	255-270	70-85	25	6.10	9.50	Coloured	645	2200	300W	A, A+, D, E, F, G	Chrome	427	1457	150W	A, A+, D, E, F, G
1200	600	555	255-270	70-85	25	6.90	10.80	Coloured	732	2499	450W	A, A+, D, E, F, G	Chrome	485	1655	300W	A, A+, D, E, F, G



Biava Round



Biava Tube on Tube



Launton

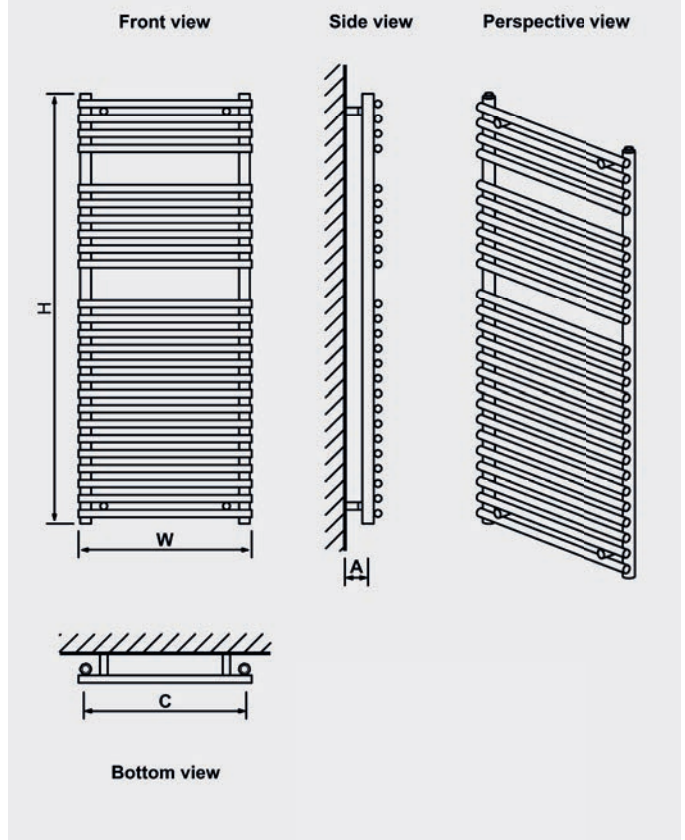
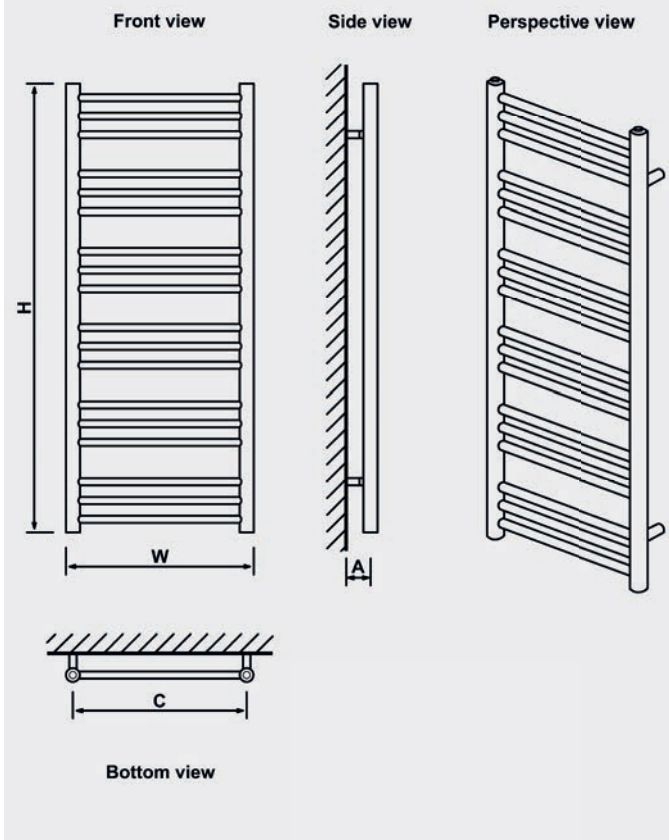


Haddenham

Technical Tables & Drawings

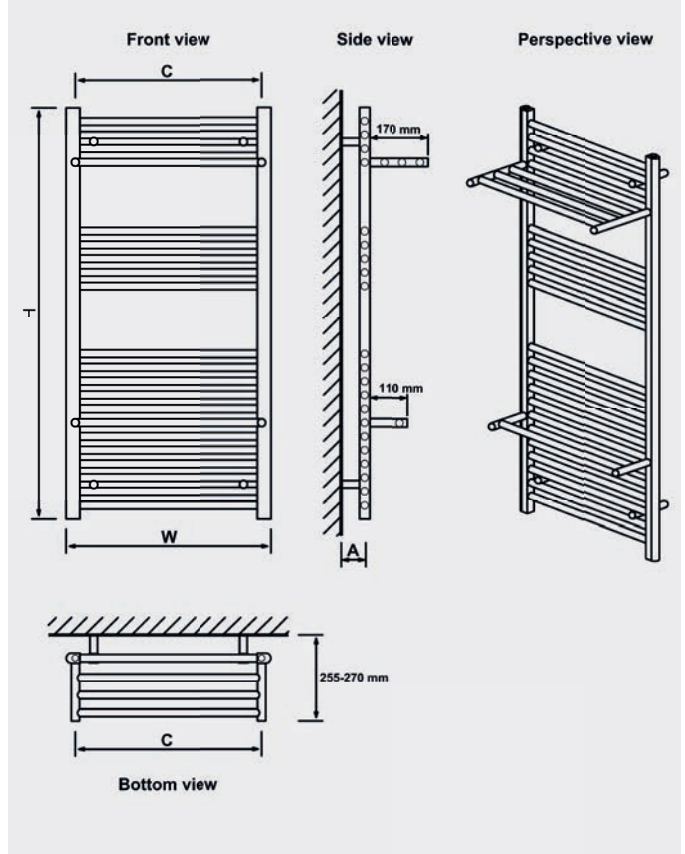
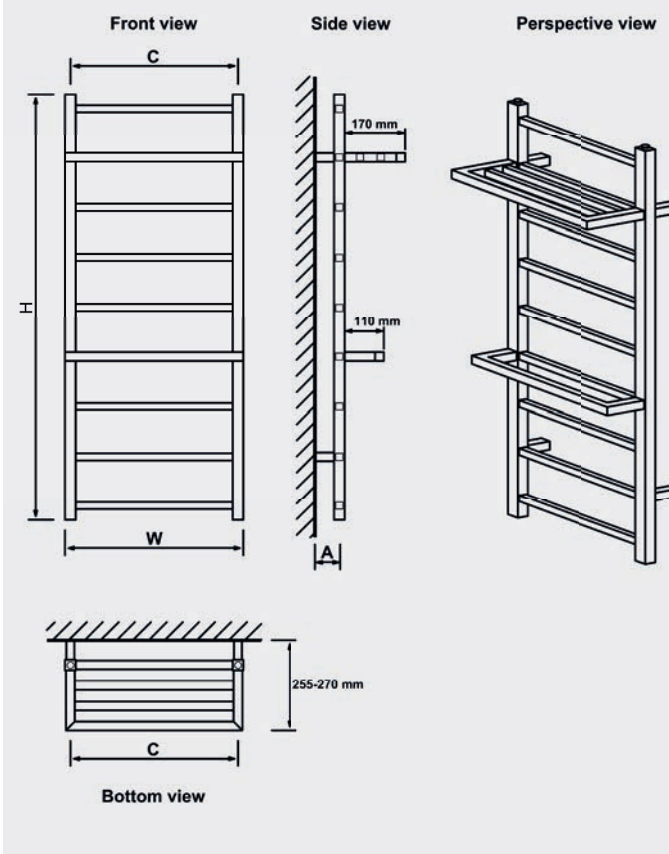
BIAVA ROUND

BIAVA TUBE ON TUBE



LAUNTON

HADDENHAM



Technical Tables & Drawings

BIAVA SQUARE - MULTIRAIL RANGE

Biava Square

Height H (mm)	Width W (mm)	Tappings C (mm)	Tappings from wall - A (mm)	Distance from wall - D (mm)	Tube Qty	Water Content L	Weight KG	Colour	▲T60		Element Output	Element Type	Colour	▲T60		Element Output	Element Type
									Watts	BTU				Watts	BTU		
600	400	360	61-76	82-100	9	2.77	4.56	-	-	-	-	-	Chrome	221	754	100W	A, A+, D, E, F, G
600	500	460	61-76	82-100	9	3.12	5.19	-	-	-	-	-	Chrome	260	887	150W	A, A+, D, E, F, G
600	600	560	61-76	82-100	9	3.47	5.83	-	-	-	-	-	Chrome	299	1020	150W	A, A+, D, E, F, G
1200	400	360	61-76	82-100	23	6.17	9.77	-	-	-	-	-	Chrome	511	1744	300W	A, A+, D, E, F, G
1200	500	460	61-76	82-100	23	7.07	11.39	-	-	-	-	-	Chrome	612	2088	300W	A, A+, D, E, F, G
1200	600	560	61-76	82-100	23	7.97	13.02	-	-	-	-	-	Chrome	712	2429	300W	A, A+, D, E, F, G
1800	400	360	61-76	82-100	33	9.06	14.05	-	-	-	-	-	Chrome	746	2545	450W	A, A+, D, E, F, G
1800	500	460	61-76	82-100	33	10.35	16.38	-	-	-	-	-	Chrome	889	3033	450W	A, A+, D, E, F, G
1800	600	560	61-76	82-100	33	11.65	18.71	-	-	-	-	-	Chrome	1034	3528	600W	A, A+, D, E, F, G

TUSCAN SQUARE - MULTIRAIL RANGE

Tuscan Square

Height H (mm)	Width W (mm)	Tappings C (mm)	Distance from wall - D (mm)	Tappings from wall - A (mm)	Tube Qty	Water Content L	Weight KG	Colour	▲T60		Element Output	Element Type	Colour	▲T60		Element Output	Element Type
									Watts	BTU				Watts	BTU		
800	500	470	95	80	7	2.10	4.60	Coloured	305	1041	100W	A, A+, D, E, F, G	Chrome	201	686	100W	A, A+, D, E, F, G
800	600	570	95	80	7	2.30	4.90	Coloured	349	1191	150W	A, A+, D, E, F, G	Chrome	231	789	100W	A, A+, D, E, F, G
1200	500	470	95	80	10	3.10	6.90	Coloured	460	1570	150W	A, A+, D, E, F, G	Chrome	302	1031	100W	A, A+, D, E, F, G
1200	600	570	95	80	10	3.40	7.10	Coloured	527	1799	150W	A, A+, D, E, F, G	Chrome	347	1184	150W	A, A+, D, E, F, G
1800	500	470	95	80	15	4.70	10.30	Coloured	688	2348	300W	A, A+, D, E, F, G	Chrome	458	1563	150W	A, A+, D, E, F, G
1800	600	570	95	80	15	5.10	11.00	Coloured	789	2693	300W	A, A+, D, E, F, G	Chrome	526	1795	150W	A, A+, D, E, F, G

TUSCAN SQUARE MULTIRAIL - MULTIRAIL RANGE

Tuscan Square Multirail

Height H (mm)	Width W (mm)	Tappings C (mm)	Distance from wall - D (mm)	Tappings from wall - A (mm)	Tube Qty	Water Content L	Weight KG	Colour	▲T60		Element Output	Element Type	Colour	▲T60		Element Output	Element Type
									Watts	BTU				Watts	BTU		
800	500	470	95	80	13	2.94	8.53	Coloured	425	1451	150W	A, A+, D, E, F, G	Chrome	274	935	100W	A, A+, D, E, F, G
800	600	570	95	80	13	3.34	10.22	Coloured	497	1696	150W	A, A+, D, E, F, G	Chrome	316	1079	100W	A, A+, D, E, F, G
1200	500	470	95	80	22	4.75	11.9	Coloured	662	2259	150W	A, A+, D, E, F, G	Chrome	426	1454	150W	A, A+, D, E, F, G
1200	600	570	95	80	22	5.43	13.9	Coloured	775	2645	300W	A, A+, D, E, F, G	Chrome	491	1676	150W	A, A+, D, E, F, G
1800	500	470	95	80	31	6.85	16.89	Coloured	980	3344	300W	A, A+, D, E, F, G	Chrome	645	2201	150W	A, A+, D, E, F, G
1800	600	570	95	80	31	7.81	19.4	Coloured	1147	3914	300W	A, A+, D, E, F, G	Chrome	744	2539	300W	A, A+, D, E, F, G

BIAVA DRY ELEMENT - DRY ELEMENT RANGE

Biava Dry Element

Height H (mm)	Width W (mm)	Tappings C (mm)	Distance from wall - D (mm)	Tappings from wall - A (mm)	Tube Qty	Water Content L	Weight KG	Colour	▲T60		Element Output	Element Type	Colour	▲T60		Element Output	Element Type
									Watts	BTU				Watts	BTU		
700	500	N/A	99-115	N/A	12	N/A	5.30	Coloured	250	853	N/A	N/A	Chrome	250	853	N/A	N/A
700	600	N/A	99-115	N/A	12	N/A	5.50	Coloured	300	1024	N/A	N/A	Chrome	300	1024	N/A	N/A
1100	500	N/A	99-115	N/A	20	N/A	7.50	Coloured	400	1365	N/A	N/A	Chrome	400	1365	N/A	N/A
1100	600	N/A	99-115	N/A	20	N/A	8.40	Coloured	500	1706	N/A	N/A	Chrome	500	1706	N/A	N/A



Biava Square



Tuscan Square



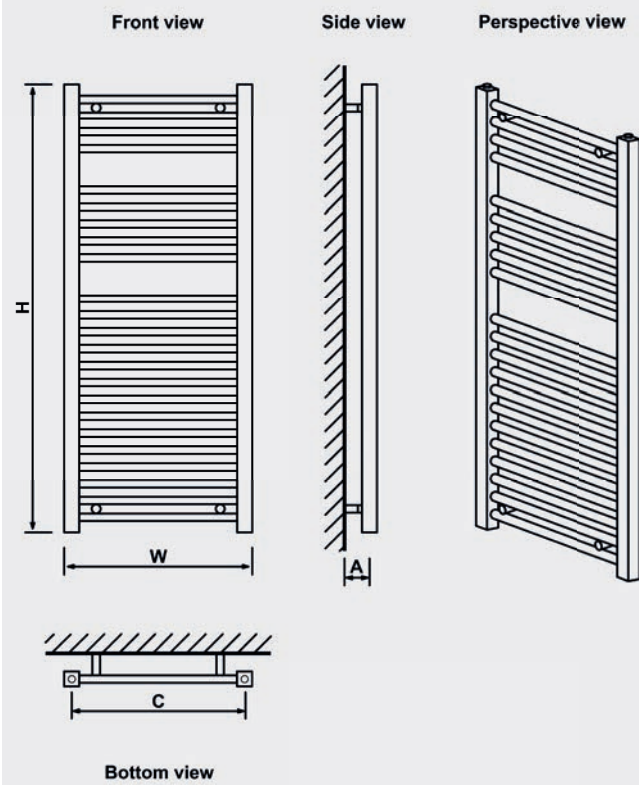
Tuscan Square Multirail



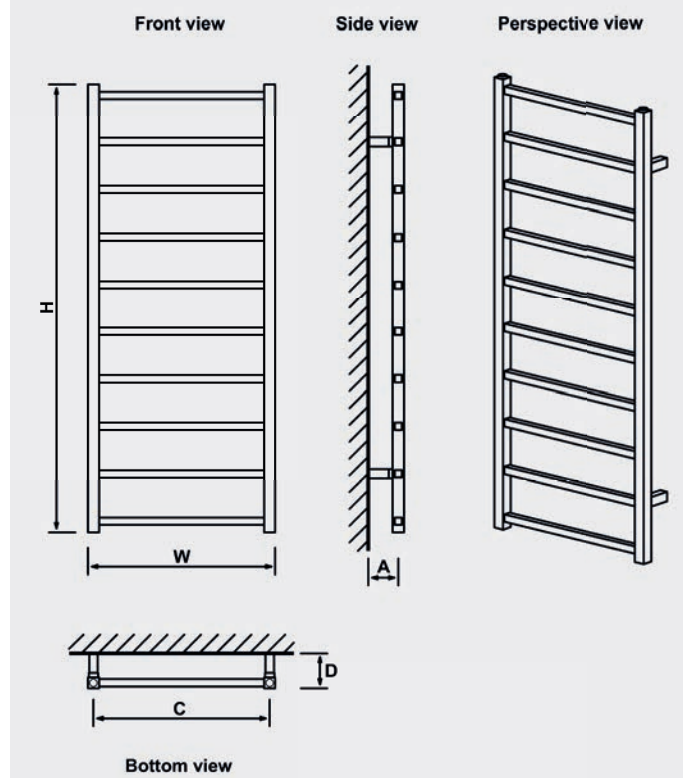
Biava Dry Element

Technical Tables & Drawings

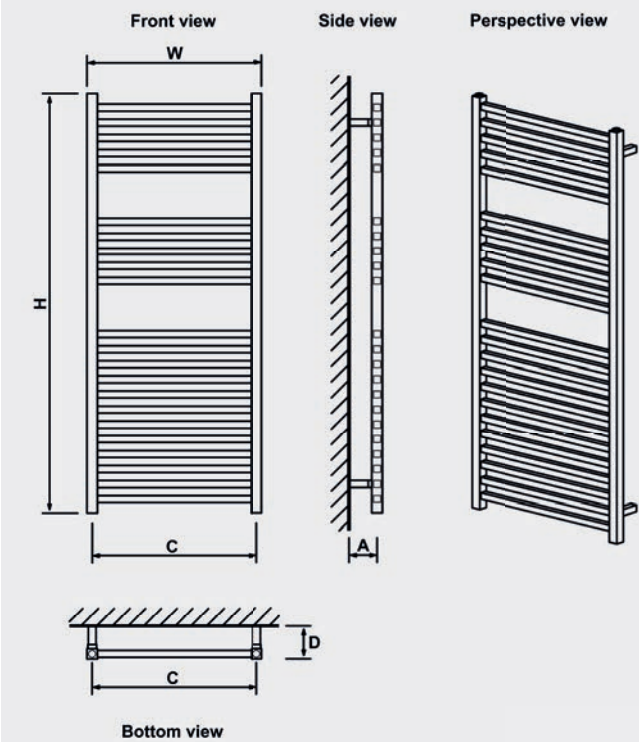
BIAVA SQUARE



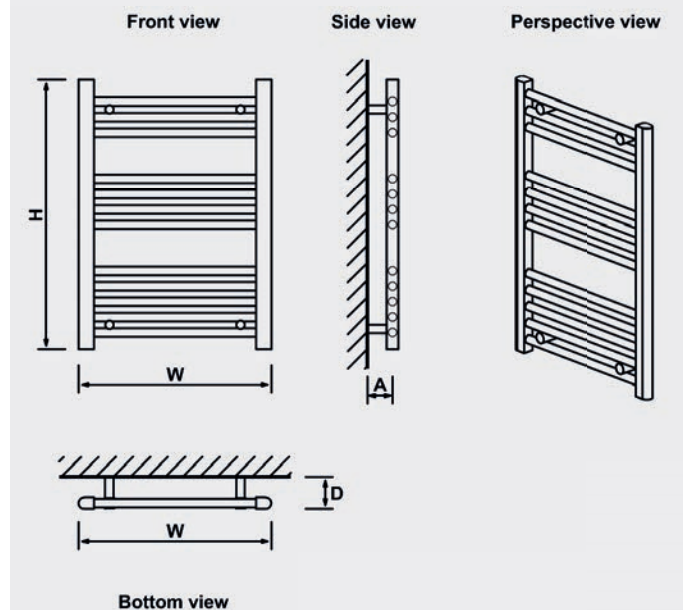
TUSCAN SQUARE



TUSCAN SQUARE MULTIRAIL



BIAVA DRY ELEMENT



Technical Tables & Drawings

EMSBURY DRY ELEMENT - DRY ELEMENT RANGE

Emsbury Dry Element

Height H (mm)	Width W (mm)	Tappings C (mm)	Distance from wall - D (mm)	Tappings from wall - A (mm)	Tube Qty	Water Content L	Weight KG	Colour	▲T60		Element Output	Element Type	Colour	▲T60		Element Output	Element Type
									Watts	BTU				Watts	BTU		
800	500	N/A	92	N/A	8	N/A	4.90	Polished	150	512	N/A	N/A	-	-	-	-	-
800	600	N/A	92	N/A	8	N/A	5.69	Polished	200	683	N/A	N/A	-	-	-	-	-
1200	500	N/A	92	N/A	12	N/A	6.55	Polished	250	854	N/A	N/A	-	-	-	-	-
1200	600	N/A	92	N/A	12	N/A	7.44	Polished	300	1024	N/A	N/A	-	-	-	-	-

LODDON DRY ELEMENT - DRY ELEMENT RANGE

Loddon Dry Element

Height H (mm)	Width W (mm)	Tappings C (mm)	Distance from wall - D (mm)	Tappings from wall - A (mm)	Tube Qty	Water Content L	Weight KG	Colour	▲T60		Element Output	Element Type	Colour	▲T60		Element Output	Element Type
									Watts	BTU				Watts	BTU		
800*	500	N/A	100	N/A	9	N/A	6.65	Coloured	300	1024	N/A	N/A	Chrome	300	1024	N/A	N/A
800*	600	N/A	100	N/A	9	N/A	7.17	Coloured	350	1195	N/A	N/A	Chrome	350	1195	N/A	N/A
1200	500	N/A	100	N/A	15	N/A	10.00	Coloured	450	1536	N/A	N/A	Chrome	450	1536	N/A	N/A
1200	600	N/A	100	N/A	15	N/A	10.64	Coloured	500	1707	N/A	N/A	Chrome	500	1707	N/A	N/A

* The total height of this rail is 780mm

KENNET DRY ELEMENT - DRY ELEMENT RANGE

Kennet Dry Element

Height H (mm)	Width W (mm)	Tappings C (mm)	Distance from wall - D (mm)	Tappings from wall - A (mm)	Tube Qty	Water Content L	Weight KG	Colour	▲T60		Element Output	Element Type	Colour	▲T60		Element Output	Element Type
									Watts	BTU				Watts	BTU		
700*	500	N/A	130	N/A	3	N/A	7.47	Coloured	120	410	N/A	N/A	Chrome	120	410	N/A	N/A
700*	600	N/A	130	N/A	3	N/A	8.52	Coloured	150	512	N/A	N/A	Chrome	150	512	N/A	N/A
1200**	500	N/A	130	N/A	5	N/A	12.10	Coloured	200	683	N/A	N/A	Chrome	200	683	N/A	N/A
1200**	600	N/A	130	N/A	5	N/A	13.66	Coloured	230	785	N/A	N/A	Chrome	230	785	N/A	N/A

* Height shown excludes bottom control leg. Total height is 744.5mm ** Height shown excludes bottom control leg. Total height is 1253mm

VIOLLA - STAINLESS STEEL RANGE

Violla

Height H (mm)	Width W (mm)	Tappings C (mm)	Distance from wall - D (mm)	Tappings from wall - A (mm)	Tube Qty	Water Content L	Weight KG	Colour	▲T60		Element Output	Element Type
									Watts	BTU		
590	1000	968	100	84	6	2.14	3.40	Polished	231	788	150W	A, A+, D, E, F, G
790	500	468	100	84	9	2.00	3.20	Polished	199	679	100W	A, A+, D, E, F, G
790	600	568	100	84	9	2.22	3.60	Polished	226	771	150W	A, A+, D, E, F, G
1210	500	468	100	84	15	3.20	5.20	Polished	320	1092	150W	A, A+, D, E, F, G
1210	600	568	100	84	15	3.56	5.60	Polished	366	1249	150W	A, A+, D, E, F, G
1630	500	468	100	84	19	4.18	6.60	Polished	416	1419	150W	A, A+, D, E, F, G
1630	600	568	100	84	19	4.63	8.00	Polished	474	1617	300W	A, A+, D, E, F, G



Emsbury Dry Element



Loddon Dry Element



Kennet Dry Element

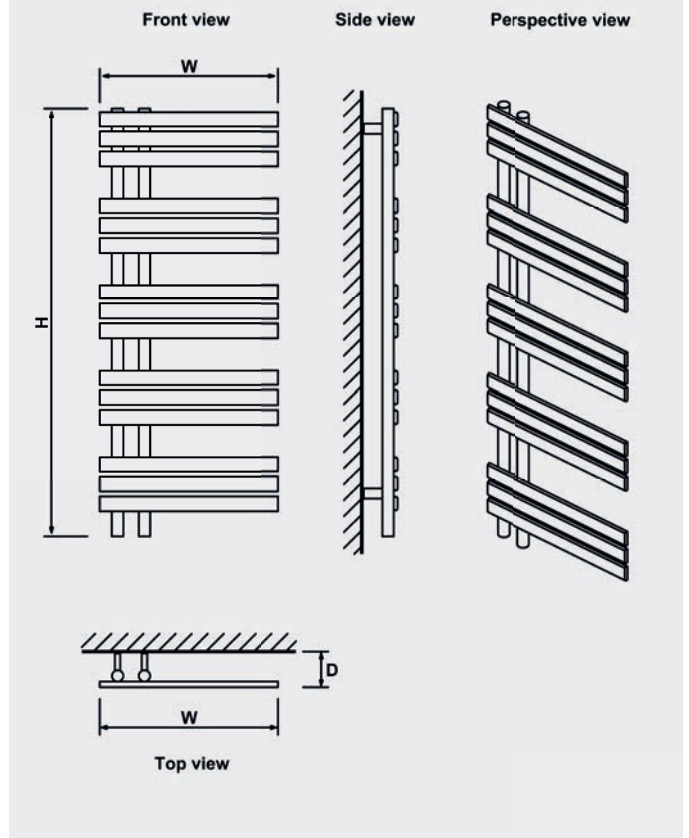
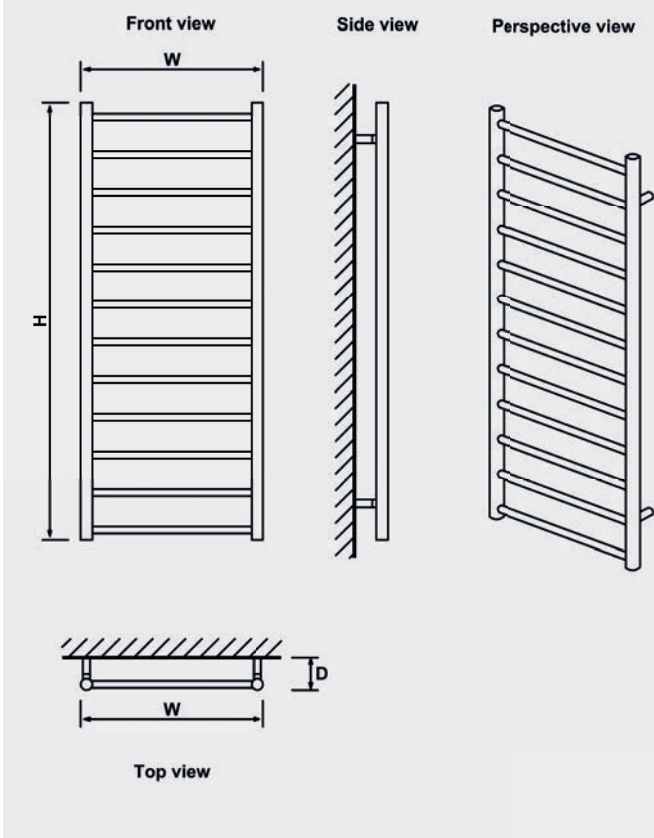


Violla

Technical Tables & Drawings

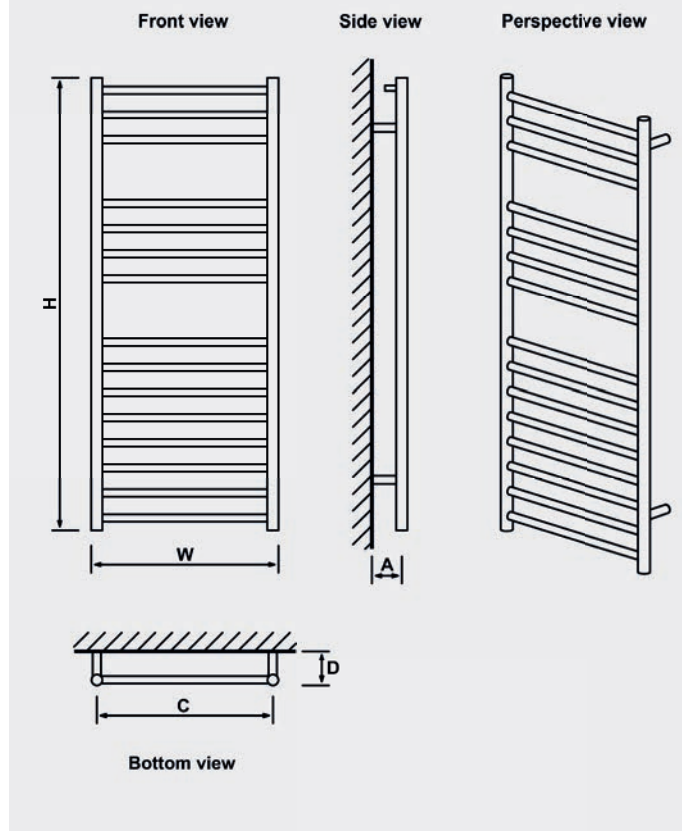
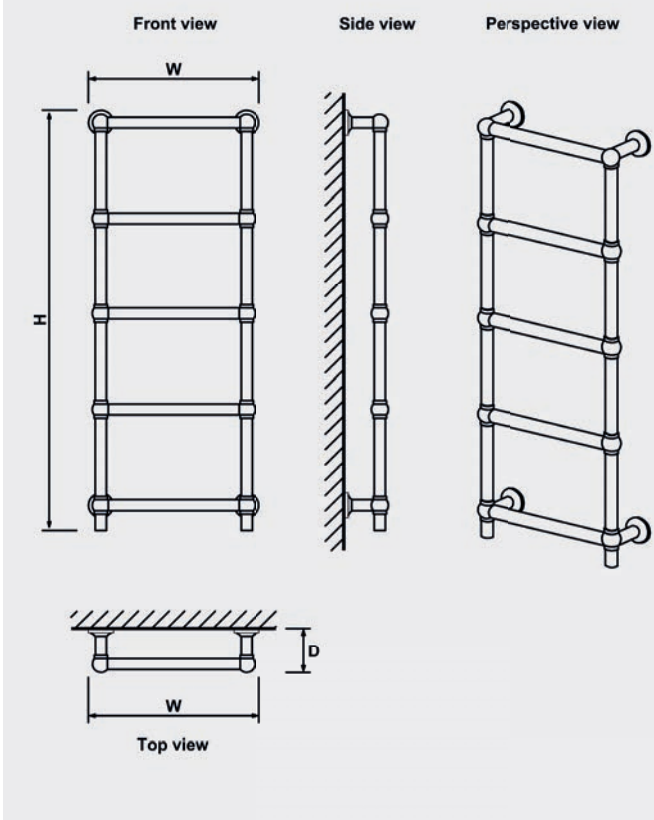
EMSBURY DRY ELEMENT

LODDON DRY ELEMENT



KENNET DRY ELEMENT

VIOLLA



Technical Tables & Drawings

RIZANO - STAINLESS STEEL RANGE

Rizano													
Height H (mm)	Width W (mm)	Tappings C (mm)	Distance from wall - D (mm)	Tappings from wall - A (mm)	Tube Qty	Water Content L	Weight KG	Colour	▲T60		Element Output	Element Type	
									Watts	BTU			
1000	500	50	95	65	15	3.50	7.50	Polished	545	1859	300W	A, A+, D, E	
1000	600	50	95	65	15	4.10	9.60	Polished	626	2136	300W	A, A+, D, E	

BIAVA FLAT - STAINLESS STEEL RANGE

Biava Flat													
Height H (mm)	Width W (mm)	Tappings C (mm)	Distance from wall - D (mm)	Tappings from wall - A (mm)	Tube Qty	Water Content L	Weight KG	Colour	▲T60		Element Output	Element Type	
									Watts	BTU			
1190	500	420	95	65	13	3.40	9.50	Polished	621	2119	300W	A, A+, D, E	
1190	600	520	95	65	13	4.00	10.30	Polished	712	2429	300W	A, A+, D, E	

ASCONA - STAINLESS STEEL RANGE

Ascona													
Height H (mm)	Width W (mm)	Tappings C (mm)	Distance from wall - D (mm)	Tappings from wall - A (mm)	Tube Qty	Water Content L	Weight KG	Colour	▲T60		Element Output	Element Type	
									Watts	BTU			
420	500	440	130	65	6	1.60	4.70	Polished	280	955	150W	A, A+, D, E	

LEONARDO - DESIGNER RANGE

Leonardo																	
Height H (mm)	Width W (mm)	Tappings C (mm)	Tappings from wall - A (mm)	Distance from wall - D (mm)	Tube Qty	Water Content L	Weight KG	Colour	▲T60		Element Output	Element Type	Colour	▲T60		Element Output	Element Type
									Watts	BTU				Watts	BTU		
600	400	80	63-73	97-112	8	2.36	6.16	-	-	-	-	-	Chrome	244	833	150W	A, A+, D, E, F, G
600	500	80	63-73	97-112	8	2.71	8.95	-	-	-	-	-	Chrome	288	983	150W	A, A+, D, E, F, G
600	600	80	63-73	97-112	8	3.06	7.99	-	-	-	-	-	Chrome	332	1133	150W	A, A+, D, E, F, G
688	500	80	63-73	97-112	9	3.07	7.87	-	-	-	-	-	Chrome	324	1105	150W	A, A+, D, E, F, G
1200	400	80	63-73	97-112	15	4.54	10.92	-	-	-	-	-	Chrome	465	1587	150W	A, A+, D, E, F, G
1200	500	80	63-73	97-112	15	5.20	12.63	-	-	-	-	-	Chrome / Brushed Brass	548	1870	300W	A, A+, D, E, F, G
1200	600	80	63-73	97-112	15	5.85	14.34	-	-	-	-	-	Chrome / Brushed Brass	631	2153	300W	A, A+, D, E, F, G
1450	500	80	63-73	97-112	18	6.25	15.00	-	-	-	-	-	Chrome	658	2245	300W	A, A+, D, E, F, G
1800	400	80	63-73	97-112	21	6.55	15.19	-	-	-	-	-	Chrome	665	2269	300W	A, A+, D, E, F, G
1800	500	80	63-73	97-112	21	7.47	17.59	-	-	-	-	-	Chrome	780	2661	450W	A, A+, D, E, F, G
1800	600	80	63-73	97-112	21	8.39	19.99	-	-	-	-	-	Chrome	896	3057	450W	A, A+, D, E, F, G



Rizano



Biava Flat



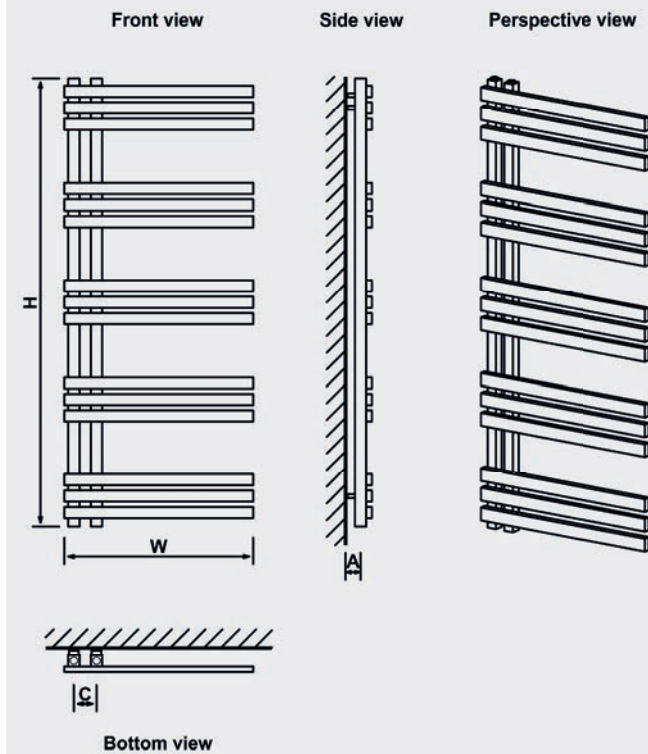
Ascona



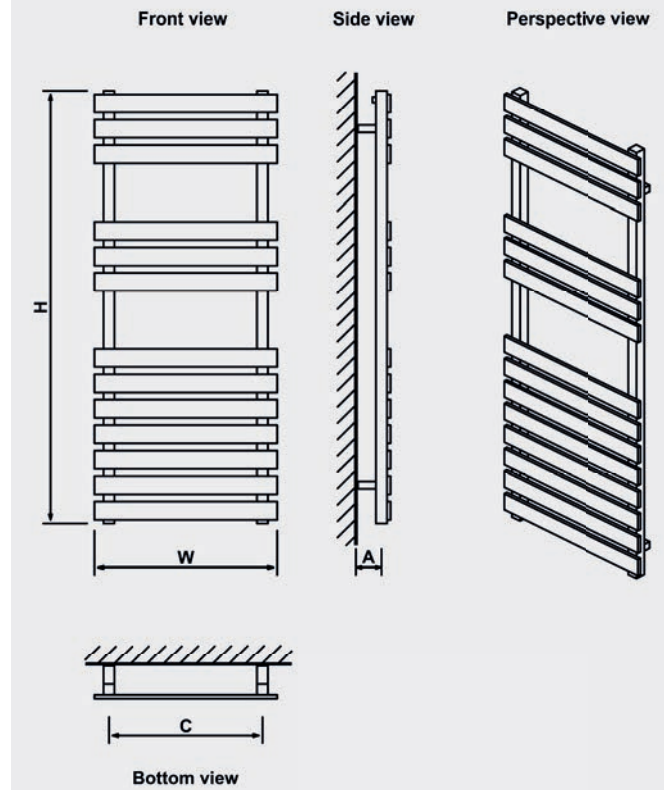
Leonardo

Technical Tables & Drawings

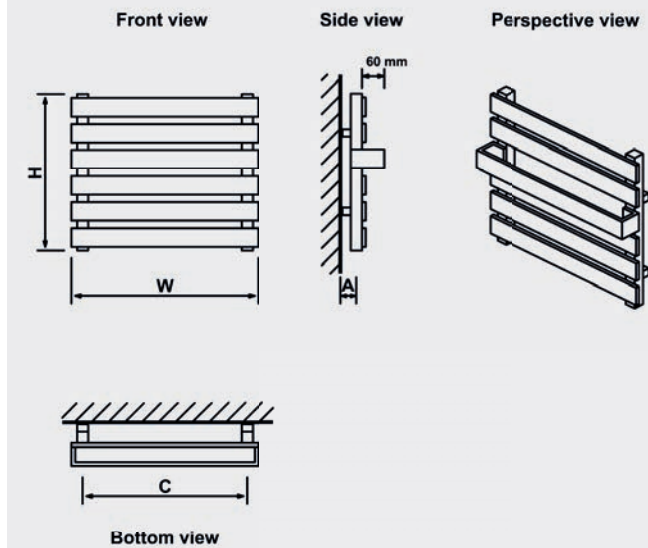
RIZANO



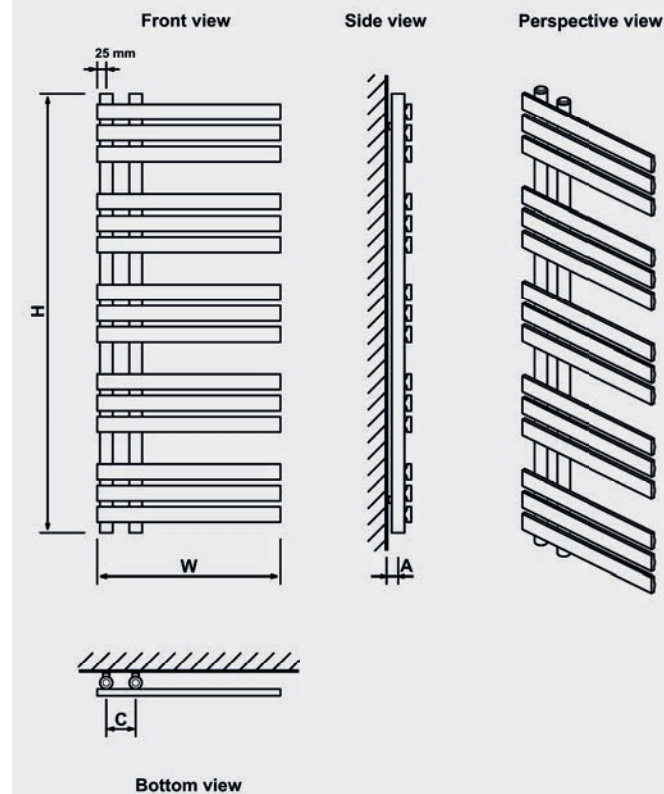
BIAVA FLAT



ASCONA



LEONARDO



Technical Tables & Drawings

STAVERTON TUBE ON TUBE STRAIGHT - DESIGNER RANGE

Staverton Tube on Tube - Straight																	
Height H (mm)	Width W (mm)	Tappings C (mm)	Tappings from wall - A (mm)	Distance from wall - D (mm)	Tube Qty	Water Content L	Weight KG	Colour	▲T60		Element Output	Element Type	Colour	▲T60		Element Output	Element Type
									Watts	BTU				Watts	BTU		
600	400	350	63-73	96-108	7	2.73	7.10	Coloured	364	1242	150W	A, A+, D, E, F, G	Chrome	288	983	150W	A, A+, D, E, F, G
600	500	450	63-73	96-108	7	3.13	8.21	Coloured	432	1474	150W	A, A+, D, E, F, G	Chrome	340	1160	150W	A, A+, D, E, F, G
600	600	550	63-73	96-108	7	3.53	9.32	Coloured	500	1706	300W	A, A+, D, E, F, G	Chrome	394	1344	150W	A, A+, D, E, F, G
600	1000	950	73-83	96-108	7	5.13	13.76	-	-	-	-	-	Chrome	603	2057	300W	A, A+, D, E, F, G
600	1200	1150	73-83	96-108	7	5.92	15.93	-	-	-	-	-	Chrome	710	2423	300W	A, A+, D, E, F, G
800	1000	950	73-83	96-108	9	6.65	17.50	-	-	-	-	-	Chrome	779	2658	450W	A, A+, D, E, F, G
800	1200	1150	73-83	96-108	9	7.67	20.23	-	-	-	-	-	Chrome	916	3125	450W	A, A+, D, E, F, G
1200	400	350	63-73	96-108	12	5.01	11.95	Coloured	651	2221	300W	A, A+, D, E, F, G	Chrome	514	1754	300W	A, A+, D, E, F, G
1200	500	450	63-73	96-108	12	5.69	13.85	Coloured	766	2614	450W	A, A+, D, E, F, G	Chrome / Brushed Brass	606	2068	300W	A, A+, D, E, F, G
1200	600	550	63-73	96-108	12	6.38	15.75	Coloured	883	3013	450W	A, A+, D, E, F, G	Chrome / Brushed Brass	697	2378	300W	A, A+, D, E, F, G
1800	400	350	63-73	96-108	19	7.75	18.13	Coloured	1014	3460	600W	A, A+, D, E, F, G	Chrome	802	2736	450W	A, A+, D, E, F, G
1800	500	450	63-73	96-108	19	8.82	21.14	Coloured	1198	4088	600W	A, A+, D, E, F, G	Chrome	946	3228	450W	A, A+, D, E, F, G

STAVERTON TUBE ON TUBE CURVED - DESIGNER RANGE

Staverton Tube on Tube - Curved																	
Height H (mm)	Width W (mm)	Tappings C (mm)	Tappings from wall - A (mm)	Distance from wall - D (mm)	Tube Qty	Water Content L	Weight KG	Colour	▲T60		Element Output	Element Type	Colour	▲T60		Element Output	Element Type
									Watts	BTU				Watts	BTU		
600	500	450	63-73	128-143	9	3.17	7.95	-	-	-	-	-	Chrome	328	1119	150W	A, A+, D, E, F, G
600	600	550	63-73	128-143	9	3.57	8.98	-	-	-	-	-	Chrome	378	1290	150W	A, A+, D, E, F, G
1200	500	450	63-73	128-143	17	6.12	14.36	-	-	-	-	-	Chrome	628	2143	300W	A, A+, D, E, F, G
1200	600	550	63-73	128-143	17	6.87	16.30	-	-	-	-	-	Chrome	722	2463	450W	A, A+, D, E, F, G
1800	500	450	63-73	128-143	25	9.07	20.77	-	-	-	-	-	Chrome	928	3166	450W	A, A+, D, E, F, G
1800	600	550	63-73	128-143	25	10.17	23.63	-	-	-	-	-	Chrome	1067	3641	600W	A, A+, D, E, F, G

BIAVA CORINIUM - DESIGNER RANGE

Biava Corinium																	
Height H (mm)	Width W (mm)	Tappings C (mm)	Distance from wall - D (mm)	Tappings from wall - A (mm)	Tube Qty	Water Content L	Weight KG	Colour	▲T60		Element Output	Element Type	Colour	▲T60		Element Output	Element Type
									Watts	BTU				Watts	BTU		
1200	500	470	225	43-58	8	3.87	6.20	-	-	-	-	-	Chrome	304	1037	150W	A, A+, C, E
1200	600	570	225	43-58	8	4.13	6.55	-	-	-	-	-	Chrome	330	1126	150W	A, A+, C, E

DEFFORD - DESIGNER RANGE

Defford																	
Height H (mm)	Width W (mm)	Tappings C (mm)	Distance from wall - D (mm)	Tappings from wall - A (mm)	Tube Qty	Water Content L	Weight KG	Colour	▲T60		Element Output	Element Type	Colour	▲T60		Element Output	Element Type
									Watts	BTU				Watts	BTU		
800	500	455	95	80	10	2.80	7.20	Coloured	405	1382	150W	A, A+, D, E, F, G	Chrome	250	853	150W	A, A+, D, E, F, G
800	600	555	95	80	10	3.00	8.30	Coloured	467	1594	150W	A, A+, D, E, F, G	Chrome	286	976	150W	A, A+, D, E, F, G
1200	500	455	95	80	16	4.30	11.20	Coloured	603	2058	300W	A, A+, D, E, F, G	Chrome	371	1266	150W	A, A+, D, E, F, G
1200	600	555	95	80	16	4.70	12.70	Coloured	695	2372	300W	A, A+, D, E, F, G	Chrome	424	1447	150W	A, A+, D, E, F, G
1800	500	455	95	80	22	6.20	15.10	Coloured	892	3044	450W	A, A+, D, E, F, G	Chrome	555	1894	300W	A, A+, D, E, F, G
1800	600	555	95	80	22	6.70	17.40	Coloured	1029	3511	450W	A, A+, D, E, F, G	Chrome	636	2171	300W	A, A+, D, E, F, G



Staverton Tube on Tube Straight



Staverton Tube on Tube Curved



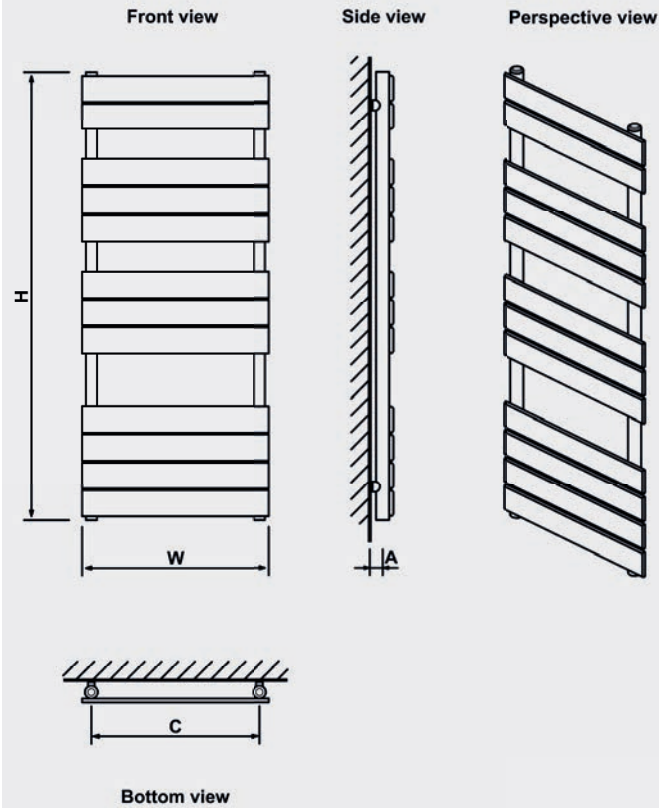
Biava Corinium



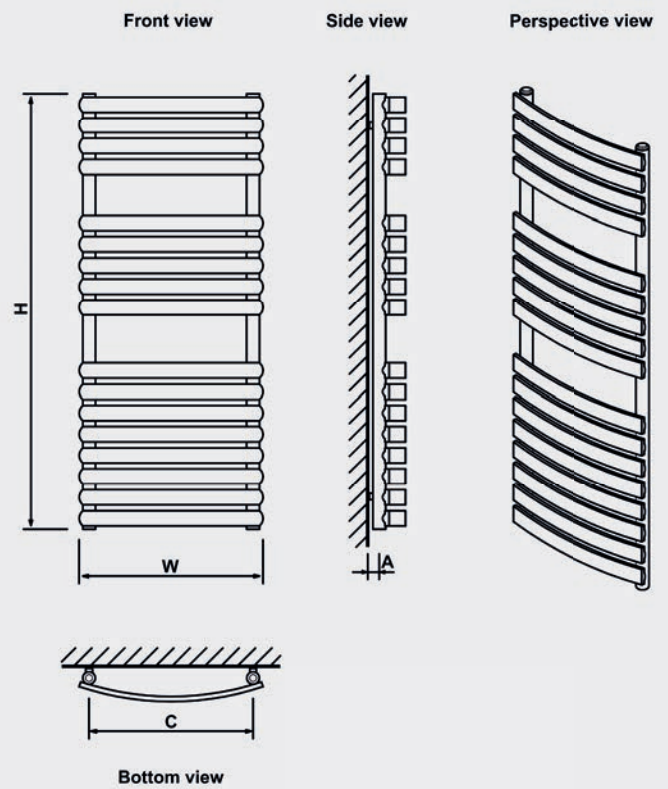
Defford

Technical Tables & Drawings

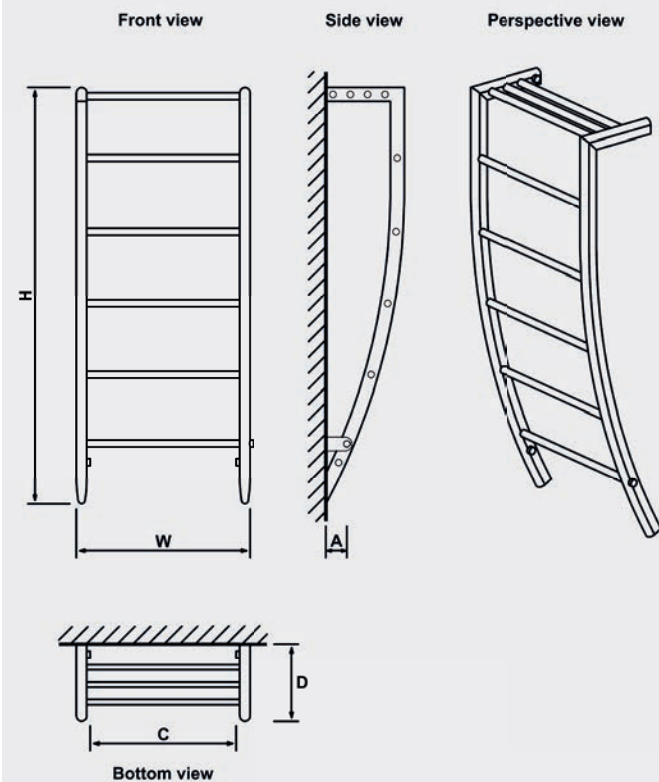
STAVERTON TUBE ON TUBE - STRAIGHT



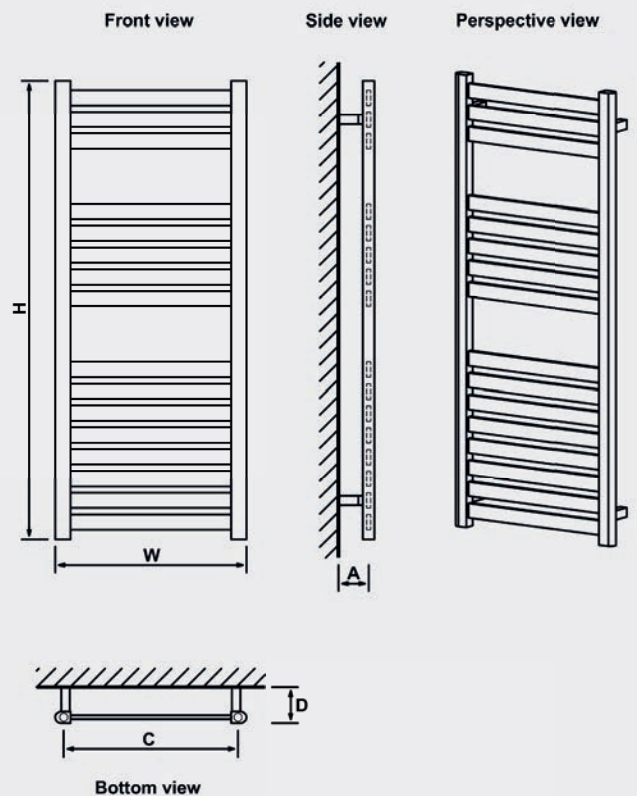
STAVERTON TUBE ON TUBE - CURVED



BIAVA CORINIUM



DEFFORD



Technical Tables & Drawings

STAVERTON - DESIGNER RANGE

Staverton																	
Height H (mm)	Width W (mm)	Tappings C (mm)	Tappings from wall - A (mm)	Distance from wall - D (mm)	Tube Qty	Water Content L	Weight KG	Colour	▲T60		Element Output	Element Type	Colour	▲T60		Element Output	Element Type
									Watts	BTU				Watts	BTU		
600	400	350	66-81	80-100	8	2.23	9.02	Coloured	276	942	150W	A, A+, D, E, F, G	Chrome	217	740	100W	A, A+, D, E, F, G
600	500	450	66-81	80-100	8	2.58	9.94	Coloured	332	1133	150W	A, A+, D, E, F, G	Chrome	261	891	150W	A, A+, D, E, F, G
600	600	550	66-81	80-100	8	2.93	6.85	Coloured	388	1324	150W	A, A+, D, E, F, G	Chrome	305	1041	150W	A, A+, D, E, F, G
1200	400	350	66-81	80-100	16	4.45	9.61	Coloured	552	1883	300W	A, A+, D, E, F, G	Chrome	435	1484	150W	A, A+, D, E, F, G
1200	500	450	66-81	80-100	16	5.15	11.43	Coloured	665	2269	300W	A, A+, D, E, F, G	Chrome / Brushed Brass	523	1784	300W	A, A+, D, E, F, G
1200	600	550	66-81	80-100	16	5.85	13.26	Coloured	776	2648	450W	A, A+, D, E, F, G	Chrome / Brushed Brass	611	2085	300W	A, A+, D, E, F, G
1800	400	350	66-81	80-100	24	6.68	14.19	Coloured	829	2829	450W	A, A+, D, E, F, G	Chrome	652	2225	300W	A, A+, D, E, F, G
1800	500	450	66-81	80-100	24	7.73	16.93	Coloured	996	3398	600W	A, A+, D, E, F, G	Chrome	784	2675	450W	A, A+, D, E, F, G
1800	600	550	66-81	80-100	24	8.78	19.67	Coloured	1164	3972	600W	A, A+, D, E, F, G	Chrome	916	3125	450W	A, A+, D, E, F, G

MEZZO TONDO - DESIGNER RANGE

Mezzo Tondo																	
Height H (mm)	Width W (mm)	Tappings C (mm)	Tappings from wall - A (mm)	Distance from wall - D (mm)	Tube Qty	Water Content L	Weight KG	Colour	▲T60		Element Output	Element Type	Colour	▲T60		Element Output	Element Type
									Watts	BTU				Watts	BTU		
1600	320	286	63-73	247-257	26	5.11	10.03	-	-	-	-	-	Chrome	574	1958	N/A	N/A

PESARO - DESIGNER RANGE

Pesaro																	
Height H (mm)	Width W (mm)	Tappings C (mm)	Tappings from wall - A (mm)	Distance from wall - D (mm)	Tube Qty	Water Content L	Weight KG	Colour	▲T60		Element Output	Element Type	Colour	▲T60		Element Output	Element Type
									Watts	BTU				Watts	BTU		
1005	550	80	65-80	115-130	12	4.09	5.88	-	-	-	-	-	Chrome	349	1191	150W	A, A+, D, E

SANTERO - DESIGNER RANGE

Santero																	
Height H (mm)	Width W (mm)	Tappings C (mm)	Distance from wall - D (mm)	Tappings from wall - A (mm)	Tube Qty	Water Content L	Weight KG	Colour	▲T60		Element Output	Element Type	Colour	▲T60		Element Output	Element Type
									Watts	BTU				Watts	BTU		
800	500	455	95	80	7	3.90	9.10	Coloured	430	1468	150W	A, A+, D, E, F, G	Chrome	249	850	150W	A, A+, D, E, F, G
800	600	555	95	80	7	4.50	9.50	Coloured	509	1737	150W	A, A+, D, E, F, G	Chrome	289	987	150W	A, A+, D, E, F, G
1200	500	455	95	80	10	5.70	11.70	Coloured	633	2160	300W	A, A+, D, E, F, G	Chrome	373	1273	150W	A, A+, D, E, F, G
1200	600	555	95	80	10	6.50	14.00	Coloured	749	2556	300W	A, A+, D, E, F, G	Chrome	434	1481	150W	A, A+, D, E, F, G
1800	500	455	95	80	15	8.60	16.50	Coloured	932	3180	450W	A, A+, D, E, F, G	Chrome	551	1881	300W	A, A+, D, E, F, G
1800	600	555	95	80	15	9.80	19.70	Coloured	1104	3767	450W	A, A+, D, E, F, G	Chrome	641	2188	300W	A, A+, D, E, F, G



Staverton



Mezzo Tondo



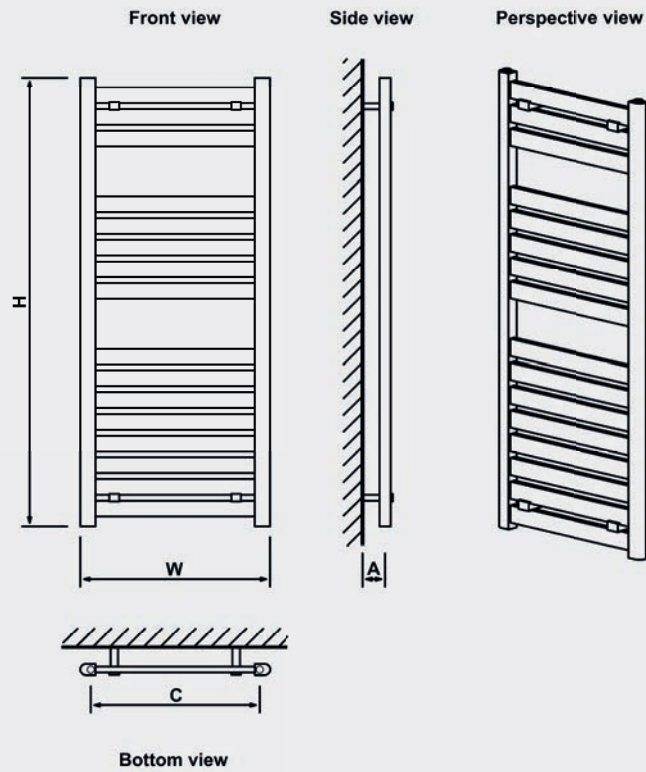
Pesaro



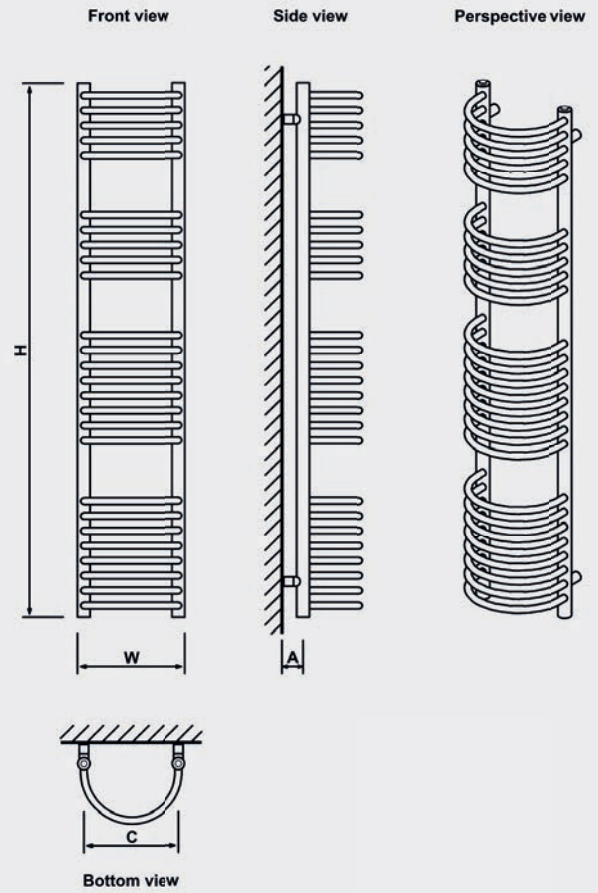
Santero

Technical Tables & Drawings

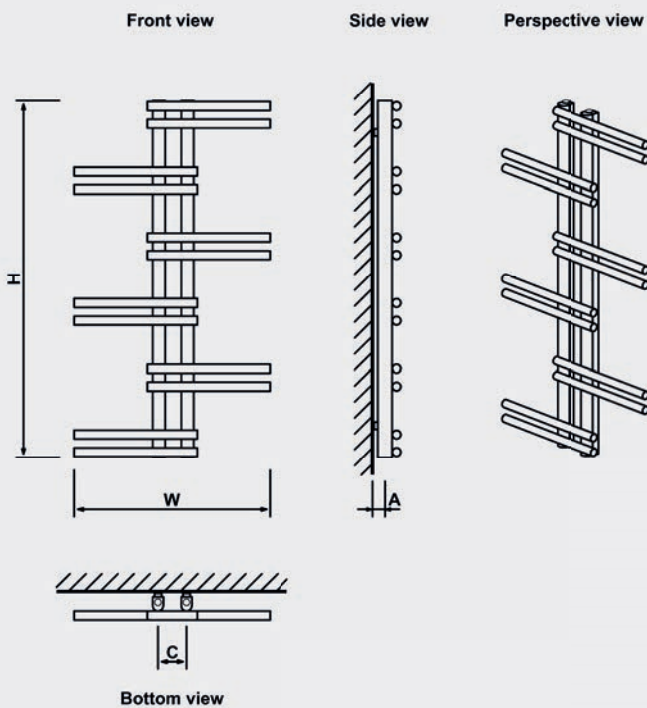
STAVERTON



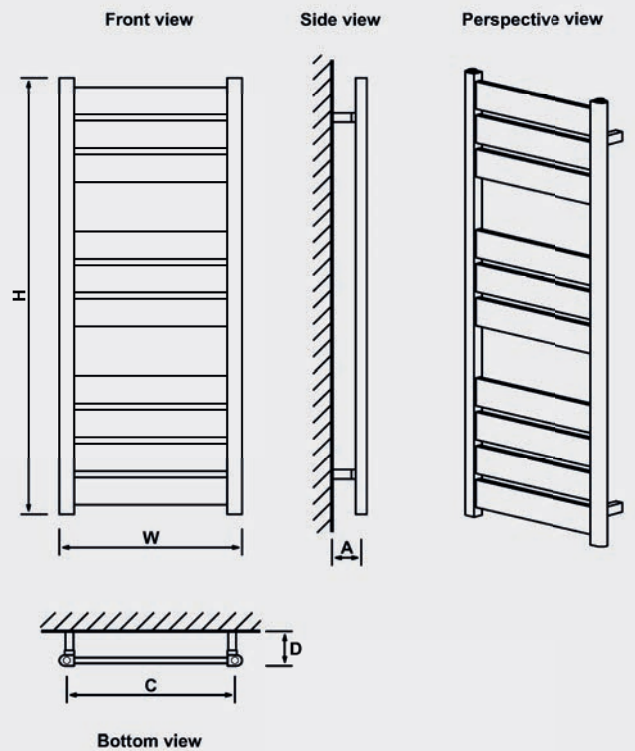
MEZZO TONDO



PESARO



SANTERO



Technical Tables & Drawings

HURLEY - DESIGNER RANGE

Hurley																	
Height H (mm)	Width W (mm)	Tappings C (mm)	Distance from wall - D (mm)	Tappings from wall - A (mm)	Tube Qty	Water Content L	Weight KG	Colour	▲T60		Element Output	Element Type	Colour	▲T60		Element Output	Element Type
									Watts	BTU							
800	500	60	104	79	9	2.90	9.70	Coloured	368	1256	150W	A, A+, D, E, F, G	Chrome	239	816	150W	A, A+, D, E, F, G
800	600	60	104	79	9	3.60	11.20	Coloured	414	1413	150W	A, A+, D, E, F, G	Chrome	268	915	150W	A, A+, D, E, F, G
1000	500	60	104	79	12	3.01	11.50	Coloured	460	1570	150W	A, A+, D, E, F, G	Chrome	298	1017	150W	A, A+, D, E, F, G
1000	600	60	104	79	12	3.32	12.80	Coloured	517	1765	300W	A, A+, D, E, F, G	Chrome	334	1140	150W	A, A+, D, E, F, G
1200	500	60	104	79	15	4.30	14.50	Coloured	551	1881	300W	A, A+, D, E, F, G	Chrome	356	1215	150W	A, A+, D, E, F, G
1200	600	60	104	79	15	5.70	16.00	Coloured	619	2113	300W	A, A+, D, E, F, G	Chrome	399	1362	150W	A, A+, D, E, F, G
1500	500	60	104	79	18	4.52	16.70	Coloured	684	2334	300W	A, A+, D, E, F, G	Chrome	441	1505	150W	A, A+, D, E, F, G
1500	600	60	104	79	18	4.98	18.60	Coloured	768	2621	450W	A, A+, D, E, F, G	Chrome	494	1686	300W	A, A+, D, E, F, G
1800	500	60	104	79	21	6.80	18.50	Coloured	813	2774	450W	A, A+, D, E, F, G	Chrome	522	1782	300W	A, A+, D, E, F, G
1800	600	60	104	79	21	7.50	20.00	Coloured	913	3116	450W	A, A+, D, E, F, G	Chrome	585	1997	300W	A, A+, D, E, F, G

HELMSLEY - DESIGNER RANGE

Helmsley																	
Height H (mm)	Width W (mm)	Tappings C (mm)	Distance from wall - D (mm)	Tappings from wall - A (mm)	Tube Qty	Water Content L	Weight KG	Colour	▲T60		Element Output	Element Type	Colour	▲T60		Element Output	Element Type
									Watts	BTU							
800	500	50	106	79	9	3.51	10.3	Coloured	437	1492	300W	A, A+, D, E, F, G	-	-	-	-	-
800	600	50	106	79	9	3.98	14.5	Coloured	506	1727	300W	A, A+, D, E, F, G	-	-	-	-	-
1150	500	50	106	79	12	4.81	16.9	Coloured	607	2072	300W	A, A+, D, E, F, G	-	-	-	-	-
1150	600	50	106	79	12	5.43	19.2	Coloured	703	2399	450W	A, A+, D, E, F, G	-	-	-	-	-
1400	500	50	106	79	15	5.95	20.6	Coloured	736	2512	450W	A, A+, D, E, F, G	-	-	-	-	-
1400	600	50	106	79	15	6.74	23.3	Coloured	853	2911	600W	A, A+, D, E, F, G	-	-	-	-	-
1640	500	50	106	79	18	7.09	24.1	Coloured	869	2966	600W	A, A+, D, E, F, G	-	-	-	-	-
1640	600	50	106	79	18	8.03	28.1	Coloured	1007	3436	600W	A, A+, D, E, F, G	-	-	-	-	-

PLATANI - DESIGNER RANGE

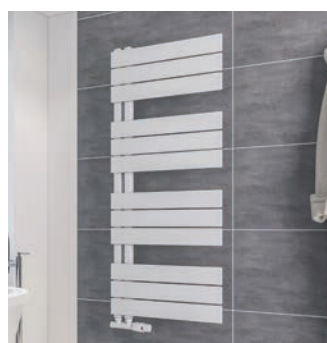
Platani																	
Height H (mm)	Width W (mm)	Tappings C (mm)	Distance from wall - D (mm)	Tappings from wall - A (mm)	Tube Qty	Water Content L	Weight KG	Colour	▲T60		Element Output	Element Type	Colour	▲T60		Element Output	Element Type
									Watts	BTU							
800	500	50	115	80	6	3.10	5.60	Coloured	339	1157	150W	A, A+, D, E, F, G	Chrome	216	737	100W	A, A+, D, E, F, G
800	600	50	115	80	6	3.40	7.90	Coloured	389	1328	150W	A, A+, D, E, F, G	Chrome	247	843	100W	A, A+, D, E, F, G
1150	500	50	115	80	8	4.20	9.40	Coloured	467	1594	150W	A, A+, D, E, F, G	Chrome	299	1021	150W	A, A+, D, E, F, G
1150	600	50	115	80	8	4.70	10.60	Coloured	535	1826	150W	A, A+, D, E, F, G	Chrome	342	1167	150W	A, A+, D, E, F, G
1800	500	50	115	80	12	6.40	14.60	Coloured	703	2399	300W	A, A+, D, E, F, G	Chrome	455	1553	150W	A, A+, D, E, F, G
1800	600	50	115	80	12	7.20	15.60	Coloured	806	2751	300W	A, A+, D, E, F, G	Chrome	520	1775	150W	A, A+, D, E, F, G

REINBACH - DESIGNER RANGE

Reinbach																	
Height H (mm)	Width W (mm)	Tappings C (mm)	Distance from wall - D (mm)	Tappings from wall - A (mm)	Tube Qty	Water Content L	Weight KG	Colour	▲T60		Element Output	Element Type	Colour	▲T60		Element Output	Element Type
									Watts	BTU							
800	500	50	125	80	12	5.50	10,4	Coloured	466	1590	150W	A, A+, D, E, F, G	-	-	-	-	-
800	600	50	125	80	12	6.40	11,9	Coloured	556	1898	300W	A, A+, D, E, F, G	-	-	-	-	-
1200	500	50	125	80	16	7.60	13,6	Coloured	671	2290	300W	A, A+, D, E, F, G	-	-	-	-	-
1200	600	50	125	80	16	8.70	15,6	Coloured	802	2737	300W	A, A+, D, E, F, G	-	-	-	-	-
1800	500	50	125	80	24	11.40	21,1	Coloured	976	3331	450W	A, A+, D, E, F, G	-	-	-	-	-
1800	600	50	125	80	24	13.10	23,7	Coloured	1166	3979	600W	A, A+, D, E, F, G	-	-	-	-	-



Hurley



Helmsley



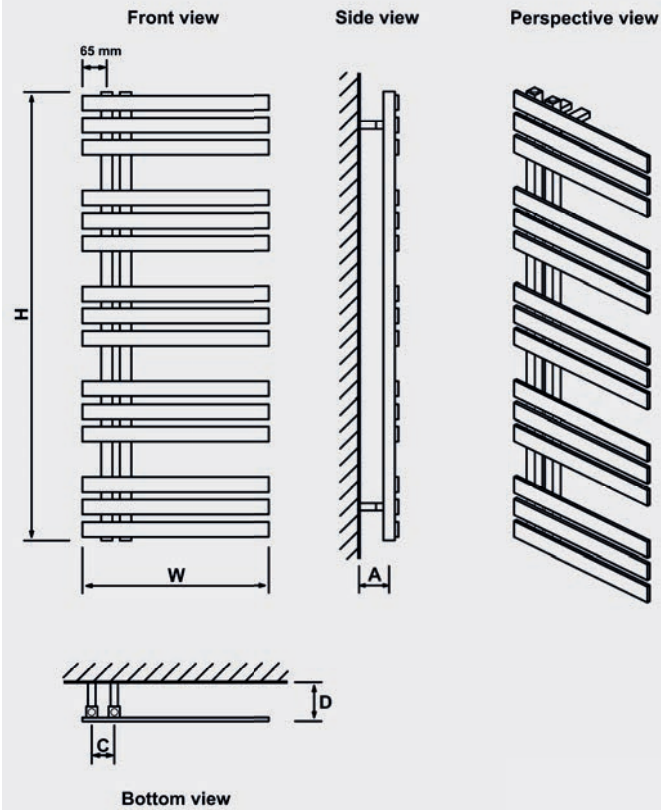
Platani



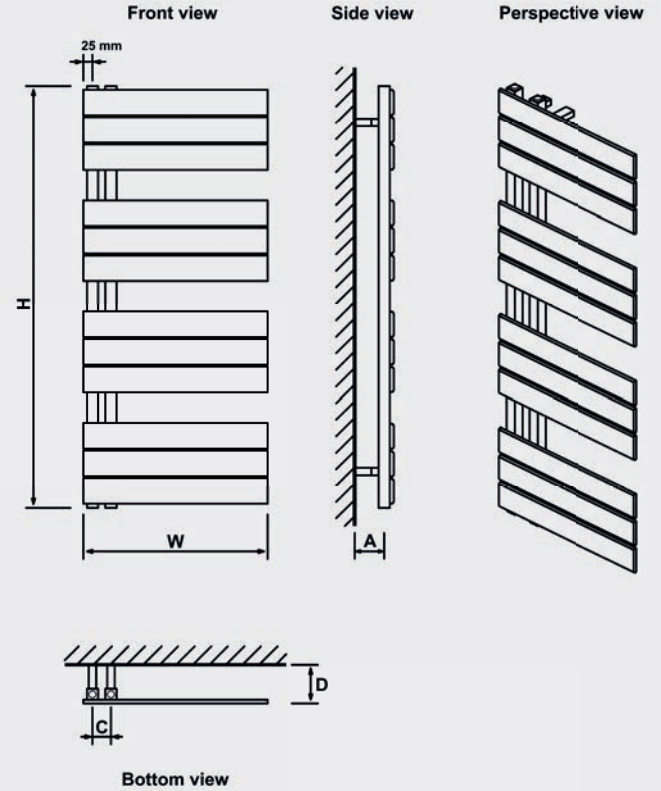
Reinbach

Technical Tables & Drawings

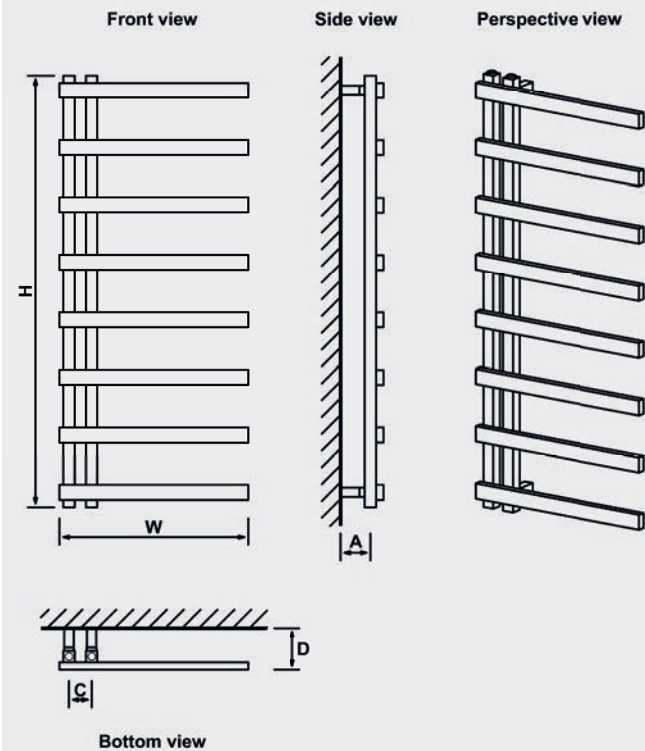
HURLEY



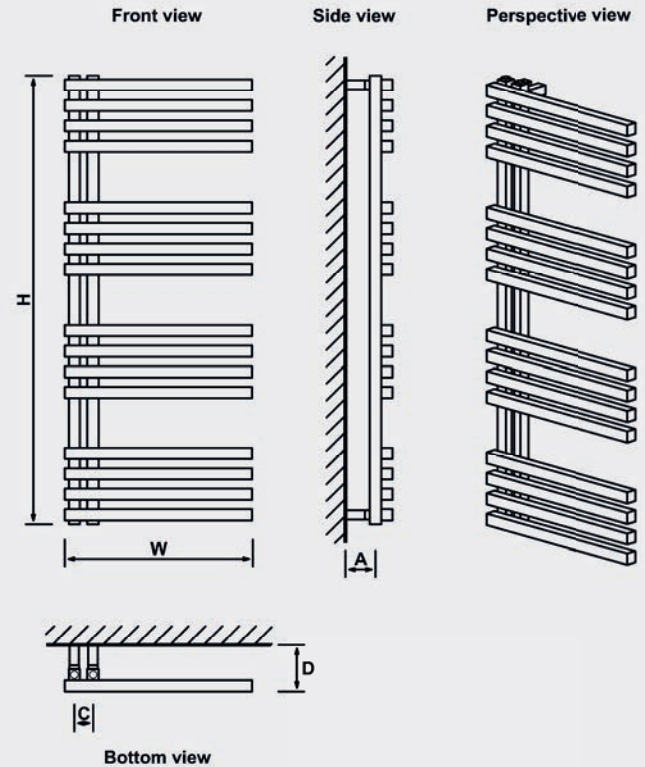
HELMSLEY



PLATANI



REINBACH



Technical Tables & Drawings

MARLOW - DESIGNER RANGE

Marlow

Height H (mm)	Width W (mm)	Tappings C (mm)	Distance from wall - D (mm)	Tappings from wall - A (mm)	Tube Qty	Water Content L	Weight KG	Colour	▲T60		Element Output	Element Type	Colour	▲T60		Element Output	Element Type
									Watts	BTU				Watts	BTU		
850	500	418	127	85	6	4.90	8.50	Coloured	399	1362	N/A	N/A	Chrome	257	877	N/A	N/A
850	600	518	127	85	6	5.60	10.00	Coloured	452	1543	N/A	N/A	Chrome	293	1000	N/A	N/A
1150	500	418	127	85	8	6.60	11.00	Coloured	534	1823	N/A	N/A	Chrome	344	1174	N/A	N/A
1150	600	518	127	85	8	7.50	13.00	Coloured	606	2068	N/A	N/A	Chrome	392	1338	N/A	N/A
1750	500	418	127	85	12	10.00	16.50	Coloured	804	2744	N/A	N/A	Chrome	520	1775	N/A	N/A
1750	600	518	127	85	12	11.30	18.50	Coloured	912	3112	N/A	N/A	Chrome	594	2027	N/A	N/A

MARLOW E-STYLE - DESIGNER RANGE

Marlow E-Style

Height H (mm)	Width W (mm)	Tappings C (mm)	Distance from wall - D (mm)	Tappings from wall - A (mm)	Tube Qty	Water Content L	Weight KG	Colour	▲T60		Element Output	Element Type	Colour	▲T60		Element Output	Element Type
									Watts	BTU				Watts	BTU		
850	500	50	127	85	6	4.90	8.50	Coloured	371	1266	N/A	N/A	Chrome	242	826	N/A	N/A
850	600	50	127	85	6	5.60	10.00	Coloured	422	1440	N/A	N/A	Chrome	274	935	N/A	N/A
1150	500	50	127	85	8	6.60	11.00	Coloured	497	1696	N/A	N/A	Chrome	325	1109	N/A	N/A
1150	600	50	127	85	8	7.50	13.00	Coloured	566	1932	N/A	N/A	Chrome	368	1256	N/A	N/A
1750	500	50	127	85	12	10.00	16.50	Coloured	756	2580	N/A	N/A	Chrome	491	1676	N/A	N/A
1750	600	50	127	85	12	11.30	18.50	Coloured	861	2938	N/A	N/A	Chrome	555	1894	N/A	N/A

LAMBOURNE VERTICAL - DESIGNER RANGE

Lambourne Vertical

Height H (mm)	Width W (mm)	Tappings C1* - C2** (mm)	Distance from wall - D (mm)	Tappings from wall - A1* - A2**(mm)	Tube Qty	Water Content L	Weight KG	Colour	▲T60		Element Output	Element Type	Colour	▲T60		Element Output	Element Type
									Watts	BTU				Watts	BTU		
1200	420	420 / 240	127	85 / 106	7	9.36	13.82	Coloured	649	2215	150W	A, A+, D, E, F, G	Chrome	426	1454	150W	A, A+, D, E, F, G
1200	540	540 / 360	127	85 / 106	9	12.04	17.31	Coloured	837	2856	300W	A, A+, D, E, F, G	Chrome	549	1874	150W	A, A+, D, E, F, G
1800	420	420 / 240	127	85 / 106	7	14.38	20.32	Coloured	888	3030	300W	A, A+, D, E, F, G	Chrome	652	2225	150W	A, A+, D, E, F, G
1800	540	540 / 360	127	85 / 106	9	18.48	25.60	Coloured	1146	3911	450W	A, A+, D, E, F, G	Chrome	842	2873	300W	A, A+, D, E, F, G

* Tappings C1/A1 : Tappings for side installation ** Tappings C2/A2 : Tappings for bottom installation

MURANO VERTICAL - DESIGNER RANGE

Murano - Vertical

Height H (mm)	Width W (mm)	Tappings C (mm)	Distance from wall - D (mm)	Tappings from wall - A (mm)	Tube Qty	Water Content L	Weight KG	Colour	▲T60		Element Output	Element Type	Colour	▲T60		Element Output	Element Type
									Watts	BTU				Watts	BTU		
1800	310	310	86	50	12	6.90	13.80	Coloured	947	3232	N/A	N/A	-	-	-	-	-
1800	410	410	86	50	16	9.20	18.40	Coloured	1301	4440	N/A	N/A	-	-	-	-	-
1800	510	510	86	50	20	11.50	23.40	Coloured	1667	5688	N/A	N/A	-	-	-	-	-



Marlow



Marlow E-Style



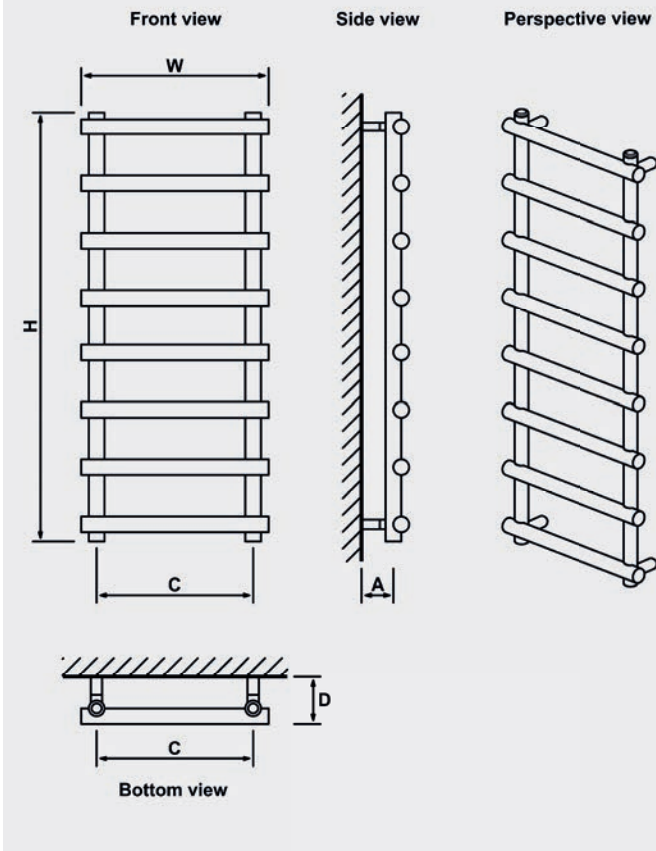
Lambourne Vertical



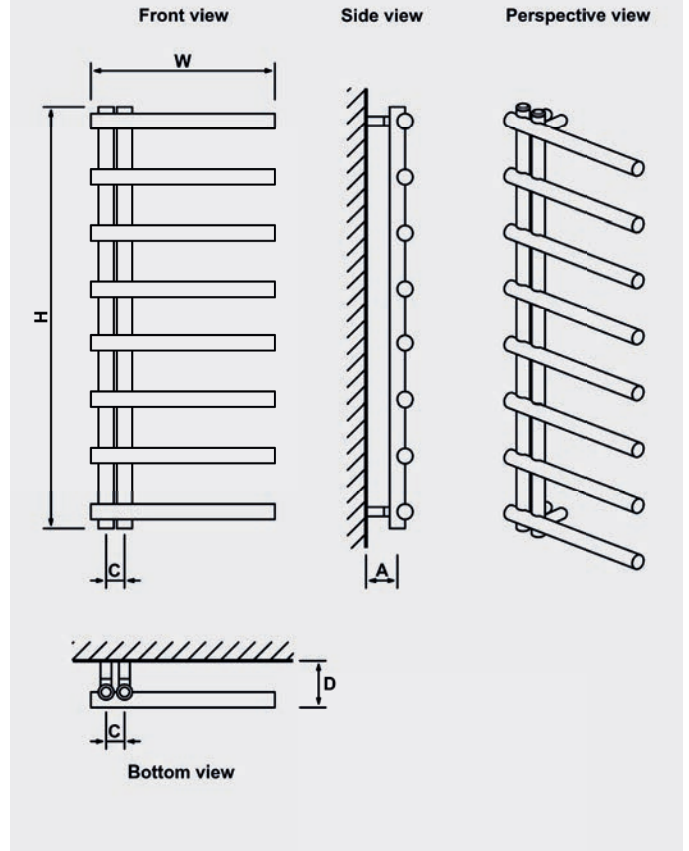
Murano Vertical

Technical Tables & Drawings

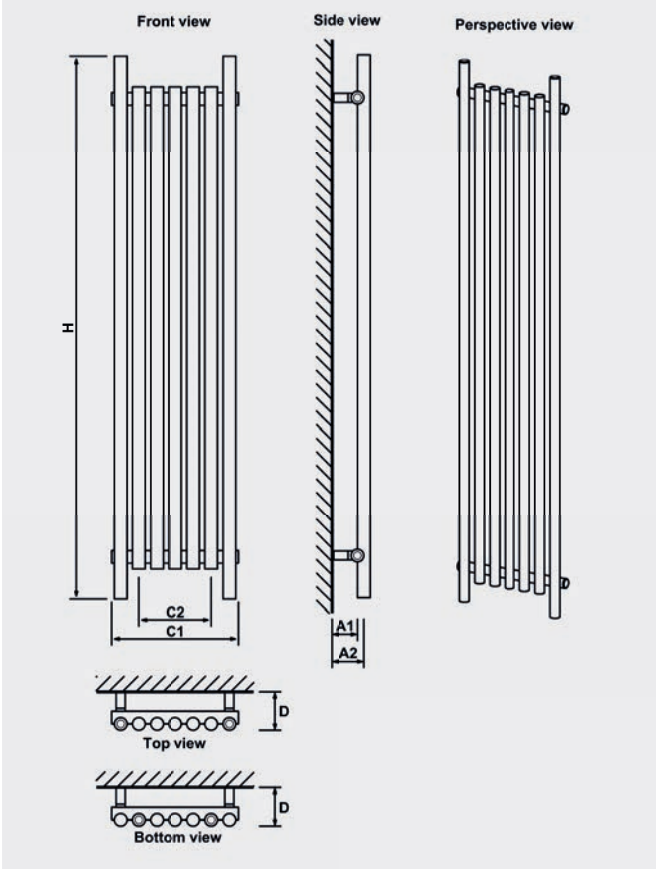
MARLOW



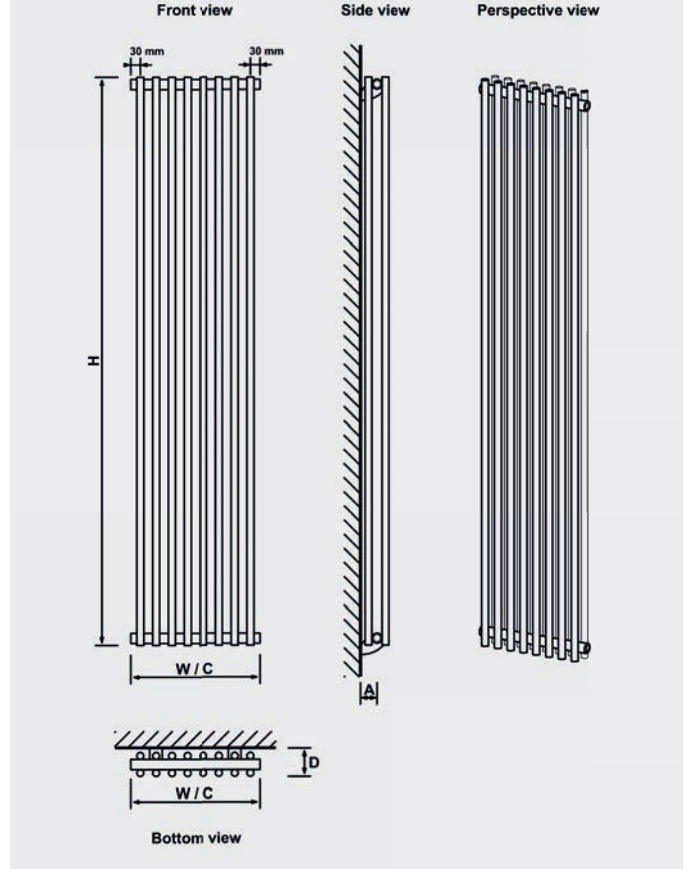
MARLOW E-STYLE



LAMBOURNE - VERTICAL



MURANO - VERTICAL



Technical Tables & Drawings

MURANO HORIZONTAL - DESIGNER RANGE

Murano - Horizontal

Height H (mm)	Width W (mm)	Tappings C (mm)	Distance from wall - D (mm)	Tappings from wall - A (mm)	Tube Qty	Water Content L	Weight KG	Colour	▲T60		Element Output	Element Type	Colour	▲T60		Element Output	Element Type
									Watts	BTU				Watts	BTU		
600	800	755	117	81	20	5.60	10.80	Coloured	864	2948	300W	A, A+, D, F, G	-	-	-	-	-
600	1000	955	117	81	20	6.80	13.50	Coloured	1103	3764	450W	A, A+, D, F, G	-	-	-	-	-
600	1200	1155	117	81	20	8.00	15.90	Coloured	1348	4600	450W	A, A+, D, F, G	-	-	-	-	-
600	1400	1355	117	81	20	9.20	18.10	Coloured	1596	5446	600W	A+, D, F, G	-	-	-	-	-

RYTON - DESIGNER RANGE

Ryton

Height H (mm)	Width W (mm)	Tappings C (mm)	Distance from wall - D (mm)	Tappings from wall - A (mm)	Tube Qty	Water Content L	Weight KG	Colour	▲T60		Element Output	Element Type	Colour	▲T60		Element Output	Element Type
									Watts	BTU				Watts	BTU		
800	500	470	95-110	75-90	6	3.30	4.84	Coloured	253	863	150W	A, A+, D, E, F, G	Chrome	168	572	100W	A, A+, D, E, F, G
800	600	570	95-110	75-90	6	3.70	5.70	Coloured	279	951	150W	A, A+, D, E, F, G	Chrome	185	630	100W	A, A+, D, E, F, G
1200	500	470	95-110	75-90	9	4.50	6.70	Coloured	379	1293	150W	A, A+, D, E, F, G	Chrome	251	856	150W	A, A+, D, E, F, G
1200	600	570	95-110	75-90	9	5.00	7.80	Coloured	418	1425	150W	A, A+, D, E, F, G	Chrome	277	944	150W	A, A+, D, E, F, G
1600	500	470	95-110	75-90	12	5.75	8.60	Coloured	505	1722	300W	A, A+, D, E, F, G	Chrome	334	1141	150W	A, A+, D, E, F, G
1600	600	570	95-110	75-90	12	6.30	9.90	Coloured	556	1898	300W	A, A+, D, E, F, G	Chrome	368	1257	150W	A, A+, D, E, F, G

KENILWORTH - DESIGNER RANGE

Kenilworth

Height H (mm)	Width W (mm)	Tappings C (mm)	Distance from wall - D (mm)	Tappings from wall - A (mm)	Tube Qty	Water Content L	Weight KG	Colour	▲T60		Element Output	Element Type	Colour	▲T60		Element Output	Element Type
									Watts	BTU				Watts	BTU		
800	500	468	92-107	76-91	6	2.50	4.06	Coloured	252	860	150W	A, A+, D, E, F, G	Chrome	167	570	100W	A, A+, D, E, F, G
800	600	568	92-107	76-91	6	2.80	5.30	Coloured	280	956	150W	A, A+, D, E, F, G	Chrome	186	633	100W	A, A+, D, E, F, G
1200	500	468	92-107	75-91	9	3.40	5.60	Coloured	378	1289	150W	A, A+, D, E, F, G	Chrome	250	854	150W	A, A+, D, E, F, G
1200	600	568	92-107	76-91	9	3.85	6.80	Coloured	420	1432	150W	A, A+, D, E, F, G	Chrome	278	948	150W	A, A+, D, E, F, G
1600	500	468	92-107	76-91	12	4.40	7.05	Coloured	503	1717	300W	A, A+, D, E, F, G	Chrome	333	1137	150W	A, A+, D, E, F, G
1600	600	568	92-107	76-91	12	4.90	8.45	Coloured	559	1908	300W	A, A+, D, E, F, G	Chrome	370	1264	150W	A, A+, D, E, F, G

LOXLEY - DESIGNER RANGE

Loxley

Height H (mm)	Width W (mm)	Tappings C (mm)	Distance from wall - D (mm)	Tappings from wall - A (mm)	Tube Qty	Water Content L	Weight KG	Colour	▲T60		Element Output	Element Type	Colour	▲T60		Element Output	Element Type
									Watts	BTU				Watts	BTU		
800	500	441	93	76	6	2.10	3.50	Coloured	194	663	100W	A, A+, D, F, G	Chrome	129	439	N/A	N/A
800	600	541	93	76	6	2.28	5.25	Coloured	216	736	100W	A, A+, D, F, G	Chrome	143	487	N/A	N/A
1200	500	441	93	76	9	3.06	6.00	Coloured	291	993	150W	A, A+, D, E, F, G	Chrome	193	658	100W	A, A+, D, F, G
1200	600	541	93	76	9	3.33	7.30	Coloured	323	1102	150W	A, A+, D, E, F, G	Chrome	214	730	100W	A, A+, D, F, G



Murano Horizontal



Ryton



Kenilworth

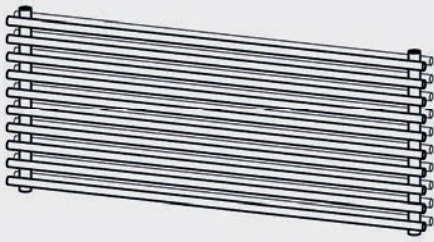


Loxley

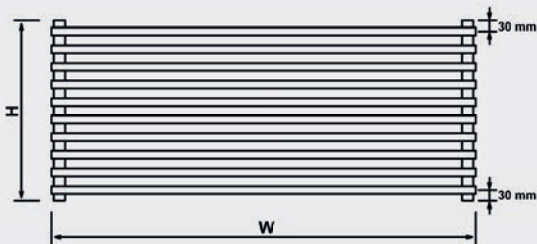
Technical Tables & Drawings

MURANO - HORIZONTAL

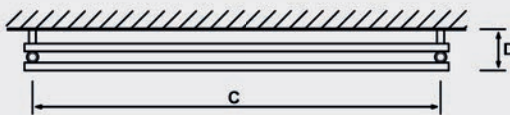
Perspective view



Front view



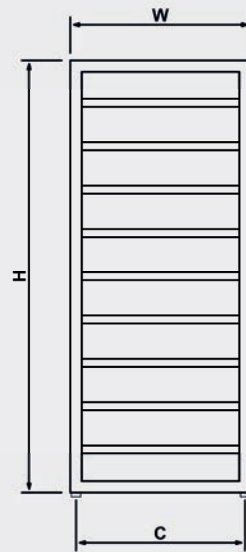
Side view



Bottom view

RYTON

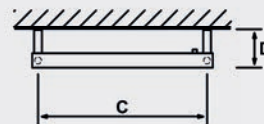
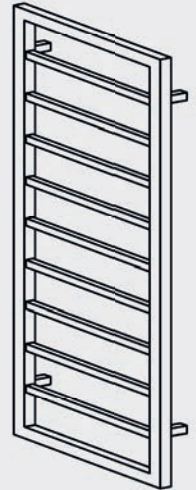
Front view



Side view



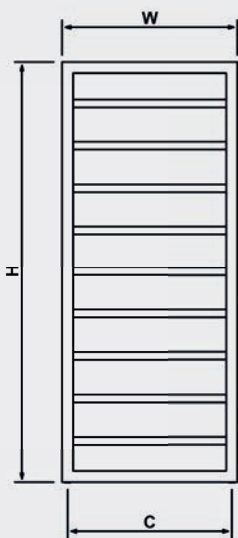
Perspective view



Bottom view

KENILWORTH

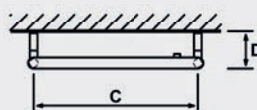
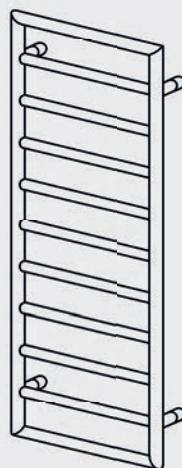
Front view



Side view



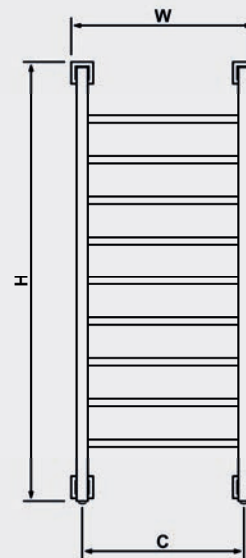
Perspective view



Bottom view

LOXLEY

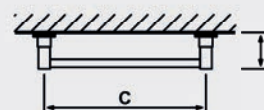
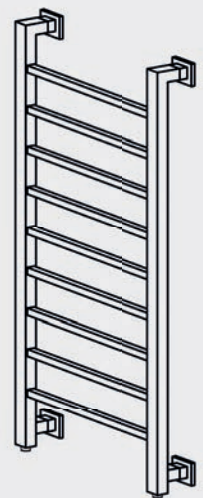
Front view



Side view



Perspective view



Bottom view

Technical Tables & Drawings

ESHTON - DESIGNER RANGE

Eshton																				
Height H (mm)	Width W (mm)	Tappings C (mm)	Distance from wall - D (mm)	Tappings from wall - A (mm)	Tube Qty	Water Content L	Weight KG	Colour	▲T60		Element Output	Element Type	Colour	▲T60		Element Output	Element Type			
									Watts	BTU							Watts	BTU		
800	500	441	93	77	6	2.55	4.00	Coloured	248	848	150W	A, A+, D, E, F, G	Chrome	165	561	100W	A, A+, D, F, G			
800	600	541	93	77	6	3.11	4.17	Coloured	276	942	150W	A, A+, D, E, F, G	Chrome	183	624	100W	A, A+, D, F, G			
1200	500	441	93	77	9	3.45	5.40	Coloured	372	1270	150W	A, A+, D, E, F, G	Chrome	246	841	150W	A, A+, D, E, F, G			
1200	600	541	93	77	9	3.72	5.80	Coloured	413	1411	150W	A, A+, D, E, F, G	Chrome	274	934	150W	A, A+, D, E, F, G			

RUBANO - VERTICAL - DESIGNER RANGE

Rubano - Vertical													
Height H (mm)	Width W (mm)	Tappings C (mm)	Distance from wall - D (mm)	Tappings from wall - A (mm)	Tube Qty	Water Content L	Weight KG	Colour	▲T60		Element Output	Element Type	
									Watts	BTU			
1800	383	383	114	74	6	18.10	35.70	Coloured	1658	5654	300W	A, A+, C*, H*	
1800	503	503	114	74	8	24.10	47.20	Coloured	2210	7536	600W	A+, C**, H**	

* Element Type C and H 300W can be used ** Element Type C and H 900W can be used

RUBANO - HORIZONTAL - DESIGNER RANGE

Rubano - Horizontal													
Height H (mm)	Width W (mm)	Tappings C (mm)	Distance from wall - D (mm)	Tappings from wall - A (mm)	Tube Qty	Water Content L	Weight KG	Colour	▲T60		Element Output	Element Type	
									Watts	BTU			
600	383	383	114	74	6	7.10	11.20	Coloured	553	1886	300W	A, A+, C*, H*	
600	623	623	114	74	10	11.70	18.10	Coloured	921	3141	450W	A, A+, C, E**, H	
600	803	803	114	74	13	15.20	23.50	Coloured	1197	4082	600W	A, A+, C, E, H	
600	1103	1103	114	74	18	21.10	33.30	Coloured	1658	5654	900W	A, A+, C, H	

* Element Type C and H only 300W can be used ** Element Type E only 300E can be used

ROWSHAM - DESIGNER RANGE

Rowsham - Horizontal																	
Height H (mm)	Width W (mm)	Tappings C (mm)	Distance from wall - D (mm)	Tappings from wall - A (mm)	Tube Qty	Water Content L	Weight KG	Colour	▲T60		Element Output	Element Type	Colour	▲T60		Element Output	Element Type
									Watts	BTU			Watts	BTU			
600	580	580	110	54	15	7.03	12.0	Coloured	636	2171	N/A	N/A	-	-	-	-	-
600	780	780	110	54	20	9.39	15.0	Coloured	884	3017	N/A	N/A	-	-	-	-	-
600	980	980	110	54	25	11.74	19.0	Coloured	1140	3890	N/A	N/A	-	-	-	-	-
600	1180	1180	110	54	30	14.09	23.0	Coloured	1401	4781	N/A	N/A	-	-	-	-	-

Rowsham - Vertical																	
Height H (mm)	Width W (mm)	Tappings C (mm)	Distance from wall - D (mm)	Tappings from wall - A (mm)	Tube Qty	Water Content L	Weight KG	Colour	▲T60		Element Output	Element Type	Colour	▲T60		Element Output	Element Type
									Watts	BTU			Watts	BTU			
1800	300	300	110	54	8	10.30	16.0	Coloured	1045	3566	N/A	N/A	-	-	-	-	-
1800	380	380	110	54	10	12.89	19.0	Coloured	1360	4641	N/A	N/A	-	-	-	-	-
1800	500	500	110	54	13	16.76	25.0	Coloured	1846	6299	N/A	N/A	-	-	-	-	-

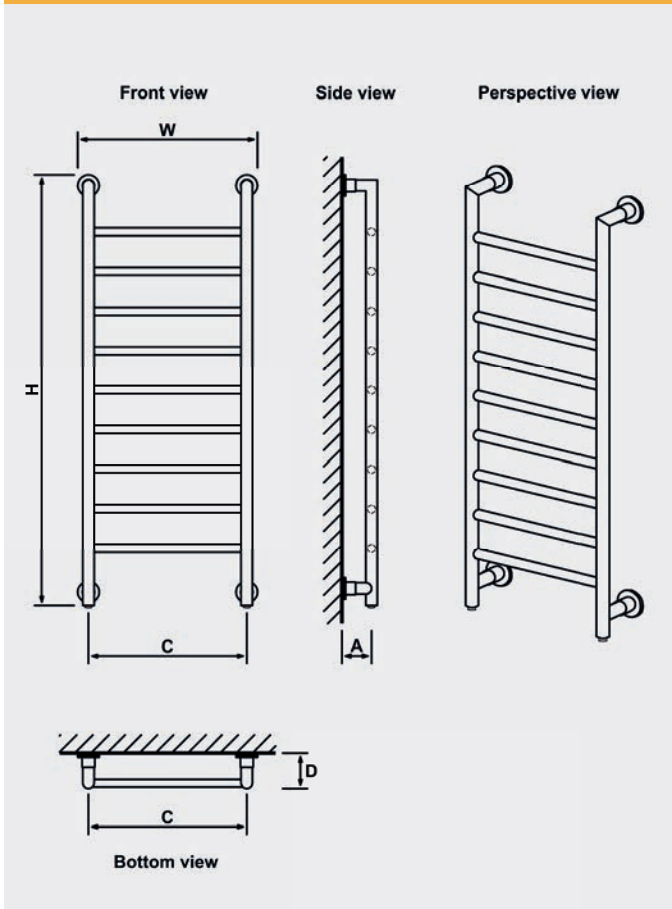


Eshton

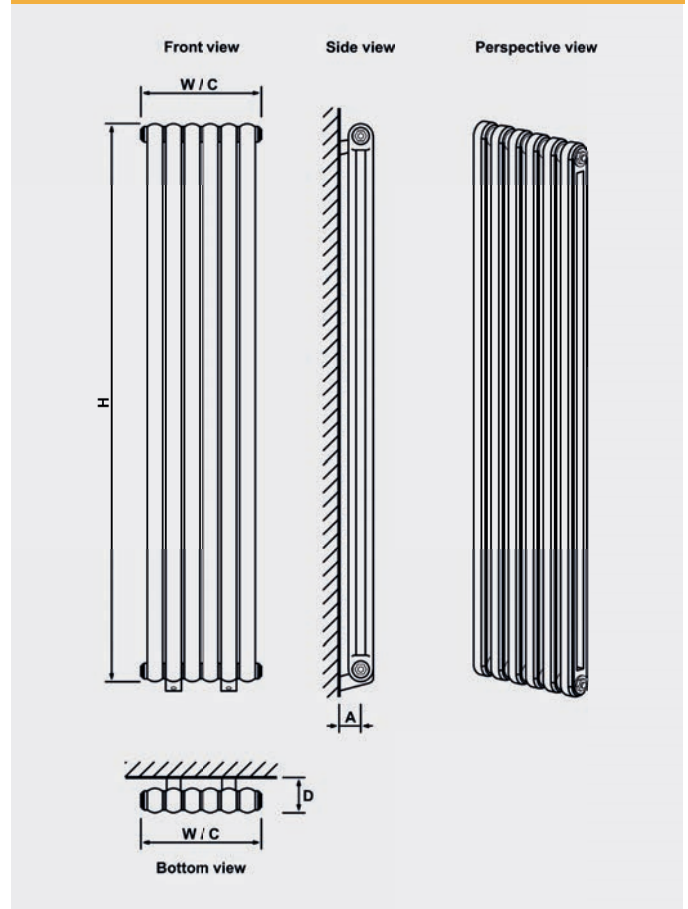
Rubano
VerticalRubano
HorizontalRowsham
HorizontalRowsham
Vertical

Technical Tables & Drawings

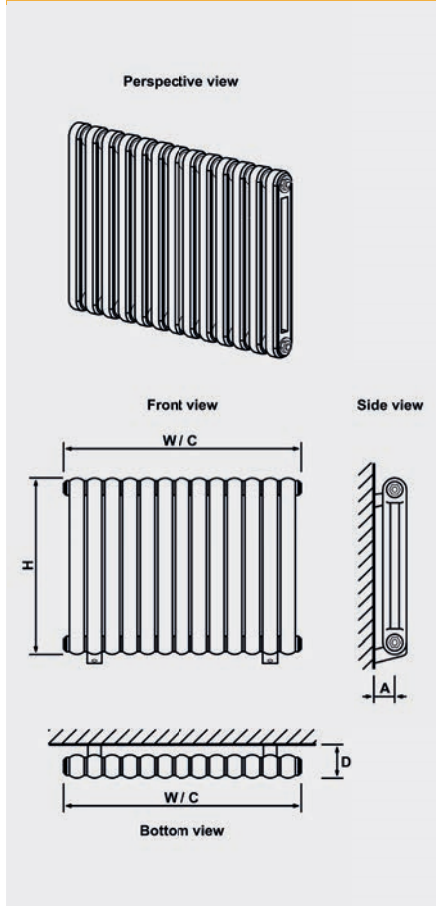
ESHTON



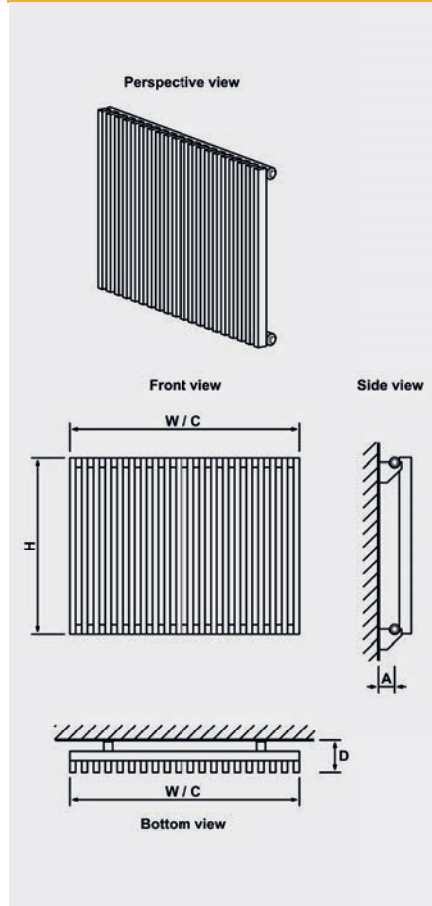
RUBANO - VERTICAL



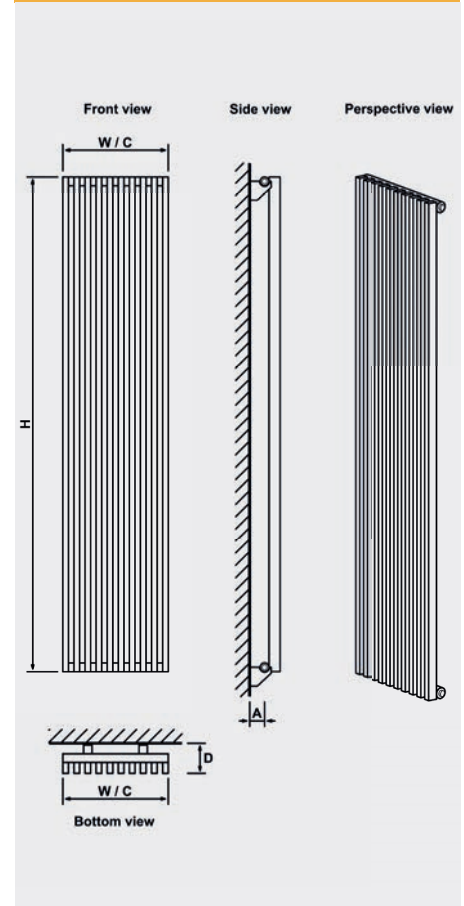
RUBANO - HORIZONTAL



ROWSHAM - HORIZONTAL



ROWSHAM - VERTICAL



Technical Tables & Drawings

ROWSHAM TOWEL RAIL - DESIGNER RANGE

Rowsham Towel Rail

Height H (mm)	Width W (mm)	Tappings C (mm)	Distance from wall - D (mm)	Tappings from wall - A (mm)	Tube Qty	Water Content L	Weight KG	Colour	▲T60		Element Output	Element Type	Colour	▲T60		Element Output	Element Type
									Watts	BTU				Watts	BTU		
800	500	468	139	83	13	5.50	8.50	Coloured	581	1983	300W	A, A+, D, E, F, G	-	-	-	-	-
800	600	568	139	83	13	6.40	9.60	Coloured	627	2140	300W	A, A+, D, E, F, G	-	-	-	-	-
1200	500	468	139	83	22	9.10	14.00	Coloured	869	2966	450W	A, A+, D, E, F, G	-	-	-	-	-
1200	600	568	139	83	22	10.60	15.50	Coloured	938	3201	600W	A, A+, D, E, F, G	-	-	-	-	-
1800	500	468	139	83	30	12.60	19.40	Coloured	1331	4542	600W	A, A+, D, E, F, G	-	-	-	-	-
1800	600	568	139	83	30	14.70	21.60	Coloured	1437	4904	750W	A, A+, D, E, F, G	-	-	-	-	-

TUNSTALL - DESIGNER RANGE

Tunstall - Vertical

Height H (mm)	Width W (mm)	Tappings C (mm)	Distance from wall - D (mm)	Tappings from wall - A (mm)	Tube Qty	Water Content L	Weight KG	Colour	▲T60		Element Output	Element Type	Colour	▲T60		Element Output	Element Type
									Watts	BTU				Watts	BTU		
1800	280	280	93	52	4	6.08	10.7	Coloured	583	1990	N/A	N/A	Chrome	320	1092	N/A	N/A
1800	350	350	93	52	5	8.07	12.72	Coloured	750	2559	N/A	N/A	Chrome	423	1444	N/A	N/A
1800	420	420	93	52	6	9.14	15.4	Coloured	926	3160	N/A	N/A	Chrome	533	1819	N/A	N/A
1800	490	490	93	52	7	11.29	17.30	Coloured	1099	3750	N/A	N/A	Chrome	644	2198	N/A	N/A
1800	560	560	93	52	8	12.91	19.50	Coloured	1280	4368	N/A	N/A	Chrome	760	2594	N/A	N/A
1800	630	630	93	52	9	13.73	22.5	Coloured	1471	5020	N/A	N/A	Chrome	890	3037	N/A	N/A

Tunstall - Horizontal

Height H (mm)	Width W (mm)	Tappings C (mm)	Distance from wall - D (mm)	Tappings from wall - A (mm)	Tube Qty	Water Content L	Weight KG	Colour	▲T60		Element Output	Element Type	Colour	▲T60		Element Output	Element Type
									Watts	BTU				Watts	BTU		
600	471	471	93	52	8	4.68	8.10	Coloured	399	1362	N/A	N/A	-	-	-	-	-
600	589	589	93	52	10	5.37	10.3	Coloured	509	1737	N/A	N/A	-	-	-	-	-
600	648	648	93	52	11	6.43	10.80	Coloured	565	1928	N/A	N/A	-	-	-	-	-
600	825	825	93	52	14	7.53	13.8	Coloured	742	2532	N/A	N/A	-	-	-	-	-
600	1002	1002	93	52	17	9.15	16.5	Coloured	928	3167	N/A	N/A	-	-	-	-	-
600	1061	1061	93	52	18	10.53	16.93	Coloured	1003	3423	N/A	N/A	-	-	-	-	-
600	1179	1179	93	52	20	10.77	19.2	Coloured	1123	3832	N/A	N/A	-	-	-	-	-

Tunstall Towel Rail

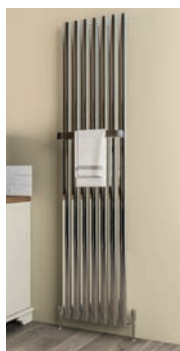
Height H (mm)	Width W (mm)	Tappings C (mm)	Distance from wall - D (mm)	Tappings from wall - A (mm)	Tube Qty	Water Content L	Weight KG	Colour	▲T60		Element Output	Element Type	Colour	▲T60		Element Output	Element Type
									Watts	BTU				Watts	BTU		
560	1000	954	124	83	8	4.72	12.3	Coloured	690	2355	300W	A, A+, D, E, F, G	Chrome	431	1471	150W	A, A+, D, E, F, G
800	500	454	124	83	9	4.45	8.9	Coloured	454	1550	150W	A, A+, D, E, F, G	Chrome	284	970	150W	A, A+, D, E, F, G
800	600	554	124	83	9	5.18	10.1	Coloured	524	1788	300W	A, A+, D, E, F, G	Chrome	326	1113	150W	A, A+, D, E, F, G
1200	500	454	124	83	13	6.51	12.6	Coloured	663	2263	300W	A, A+, D, E, F, G	Chrome	431	1471	150W	A, A+, D, E, F, G
1200	600	554	124	83	13	7.56	14.3	Coloured	766	2614	450W	A, A+, D, E, F, G	Chrome	493	1683	300W	A, A+, D, E, F, G
1600	500	454	124	83	17	8.56	16.4	Coloured	879	3000	450W	A, A+, D, E, F, G	Chrome	579	1976	300W	A, A+, D, E, F, G
1600	600	554	124	83	17	9.94	18.6	Coloured	1015	3464	600W	A, A+, D, E, F, G	Chrome	661	2256	300W	A, A+, D, E, F, G

Tunstall Double - Vertical

Height H (mm)	Width W (mm)	Tappings C (mm)	Distance from wall - D (mm)	Tappings from wall - A (mm)	Tube Qty	Water Content L	Weight KG	Colour	▲T60		Element Output	Element Type	Colour	▲T60		Element Output	Element Type
									Watts	BTU				Watts	BTU		
1800	280	280	104	65	8	16.9	25.90	Coloured	952	3249	N/A	N/A	-	-	-	-	-
1800	350	350	104	65	10	14.50	30.10	Coloured	1190	4058	N/A	N/A	-	-	-	-	-
1800	420	420	104	65	12	25.3	35.80	Coloured	1429	4877	N/A	N/A	-	-	-	-	-
1800	490	490	104	65	14	20.20	41.10	Coloured	1666	5681	N/A	N/A	-	-	-	-	-
1800	560	560	104	65	16	23.10	47.10	Coloured	1904	6493	N/A	N/A	-	-	-	-	-
1800	630	630	104	65	18	38	51.00	Coloured	2142	7311	N/A	N/A	-	-	-	-	-



Rowsham Towel Rail

Tunstall
VerticalTunstall
Horizontal

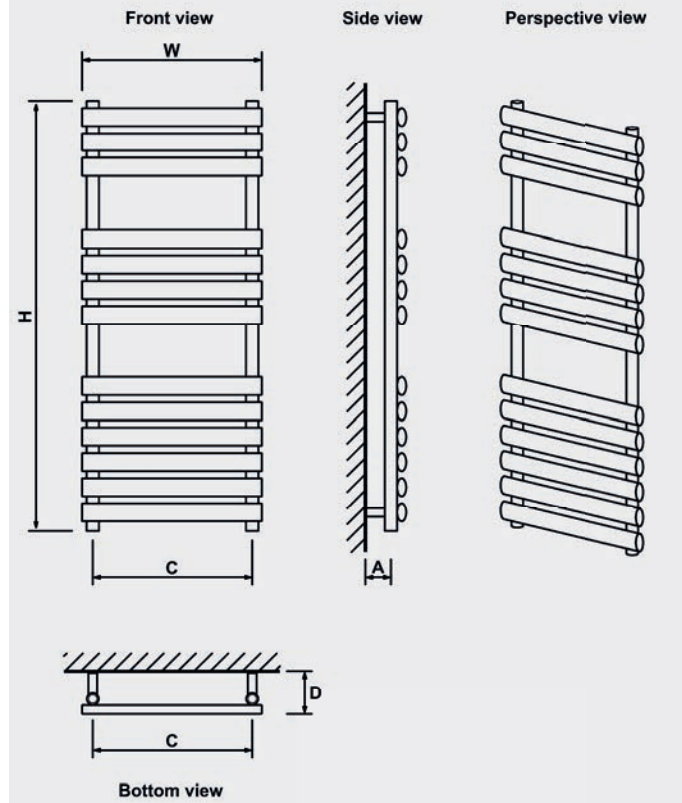
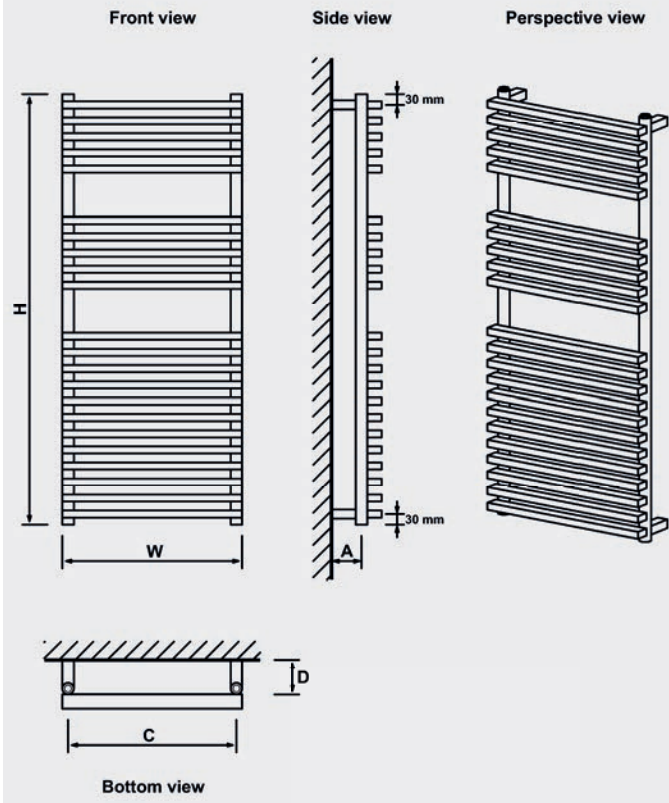
Tunstall Towel Rail

Tunstall Double
Vertical

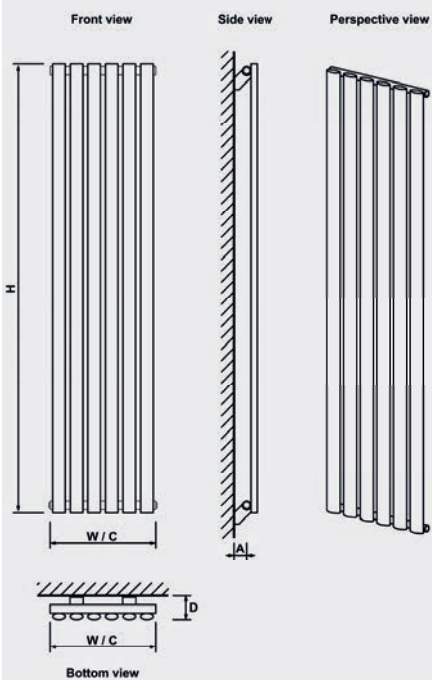
Technical Tables & Drawings

ROWSHAM TOWEL RAIL

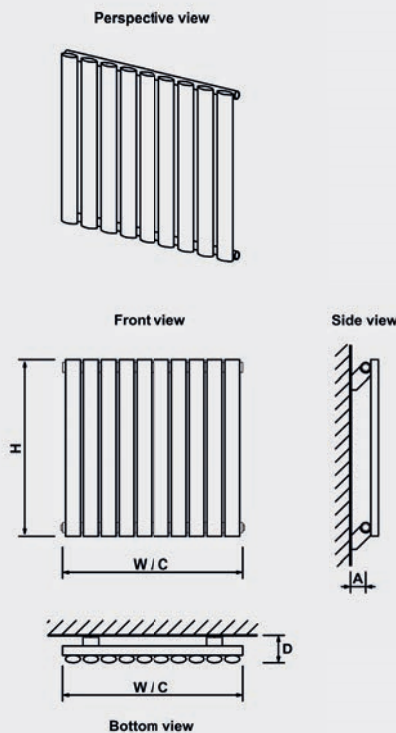
TUNSTALL TOWEL RAIL



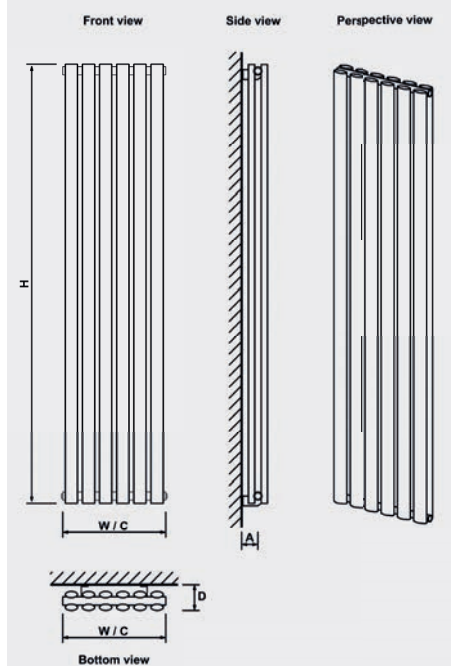
TUNSTALL - VERTICAL



TUNSTALL - HORIZONTAL



TUNSTALL DOUBLE VERTICAL



Technical Tables & Drawings

TUNSTALL - DESIGNER RANGE

Tunstall Double - Horizontal																	
Height H (mm)	Width W (mm)	Tappings C (mm)	Distance from wall - D (mm)	Tappings from wall - A (mm)	Tube Qty	Water Content L	Weight KG	Colour	▲T60		Element Output	Element Type	Colour	▲T60		Element Output	Element Type
									Watts	BTU				Watts	BTU		
600	471	471	104	65	16	8.10	17.20	Coloured	734	2503	N/A	N/A	-	-	-	-	-
600	589	589	104	65	20	14.6	21.80	Coloured	818	2792	N/A	N/A	-	-	-	-	-
600	648	648	104	65	22	11.10	23.70	Coloured	1010	3444	N/A	N/A	-	-	-	-	-
600	825	825	104	65	28	20.5	29.50	Coloured	1145	3908	N/A	N/A	-	-	-	-	-
600	1002	1002	104	65	34	24.8	36.60	Coloured	1391	4747	N/A	N/A	-	-	-	-	-
600	1061	1061	104	65	36	18.30	38.60	Coloured	1652	5633	N/A	N/A	-	-	-	-	-
600	1179	1179	104	65	40	29.2	43.60	Coloured	1836	6266	N/A	N/A	-	-	-	-	-

Tunstall Double Towel Rail																	
Height H (mm)	Width W (mm)	Tappings C (mm)	Distance from wall - D (mm)	Tappings from wall - A (mm)	Tube Qty	Water Content L	Weight KG	Colour	▲T60		Element Output	Element Type	Colour	▲T60		Element Output	Element Type
									Watts	BTU				Watts	BTU		
560	1000	954	109-114	70-75	16	19.1	27.90	Coloured	1060	3618	600W	A, A+, D, E, F, G	-	-	-	-	-
800	500	454	109-114	70-75	18	11.5	20.80	Coloured	620	2116	300W	A, A+, D, E, F, G	-	-	-	-	-
800	600	554	109-114	70-75	18	13.5	21.80	Coloured	742	2532	450W	A, A+, D, E, F, G	-	-	-	-	-
1200	500	454	109-114	70-75	26	16.7	29.10	Coloured	893	3048	450W	A, A+, D, E, F, G	-	-	-	-	-
1200	600	554	109-114	70-75	26	19.6	30.20	Coloured	1072	3659	600W	A, A+, D, E, F, G	-	-	-	-	-
1600	500	454	109-114	70-75	34	21.9	36.90	Coloured	1170	3993	600W	A, A+, D, E, F, G	-	-	-	-	-
1600	600	554	109-114	70-75	34	25.8	37.90	Coloured	1405	4795	750W	A, A+, D, E, F, G	-	-	-	-	-

Tunstall Mirror																	
Height H (mm)	Width W (mm)	Tappings C (mm)	Distance from wall - D (mm)	Tappings from wall - A (mm)	Tube Qty	Water Content L	Weight KG	Colour	▲T60		Element Output	Element Type	Colour	▲T60		Element Output	Element Type
									Watts	BTU				Watts	BTU		
1800	380	380	79	40	4	8.6	23.70	Coloured	705	2406	N/A	N/A	-	-	-	-	-
1800	500	500	79	40	6	12.9	28.30	Coloured	1056	3604	N/A	N/A	-	-	-	-	-

Tunstall Double Mirror																	
Height H (mm)	Width W (mm)	Tappings C (mm)	Distance from wall - D (mm)	Tappings from wall - A (mm)	Tube Qty	Water Content L	Weight KG	Colour	▲T60		Element Output	Element Type	Colour	▲T60		Element Output	Element Type
									Watts	BTU				Watts	BTU		
1800	380	380	104	65	8	16.9	33.70	Coloured	1102	3761	N/A	N/A	-	-	-	-	-
1800	500	500	104	65	12	25.3	44.10	Coloured	1654	5645	N/A	N/A	-	-	-	-	-

DEDDINGTON - DESIGNER RANGE

Deddington - Vertical																	
Height H (mm)	Width W (mm)	Tappings C (mm)	Distance from wall - D (mm)	Tappings from wall - A (mm)	Tube Qty	Water Content L	Weight KG	Colour	▲T60		Element Output	Element Type	Colour	▲T60		Element Output	Element Type
									Watts	BTU				Watts	BTU		
1800	310	310	100	60	4	4.20	15.3	Coloured	812	2771	N/A	N/A	Chrome	493	1683	N/A	N/A
1800	390	390	100	60	5	5.20	17.80	Coloured	1021	3484	N/A	N/A	Chrome	611	2085	N/A	N/A
1800	470	470	100	60	6	6.30	22.4	Coloured	1231	4201	N/A	N/A	Chrome	730	2491	N/A	N/A
1800	550	550	100	60	7	7.30	24.90	Coloured	1440	4914	N/A	N/A	Chrome	846	2887	N/A	N/A
1800	630	630	100	60	8	8.40	29.6	Coloured	1649	5627	N/A	N/A	Chrome	962	3283	N/A	N/A



Tunstall Double Horizontal



Tunstall Double Towel Rail



Tunstall Mirror



Tunstall Double Mirror

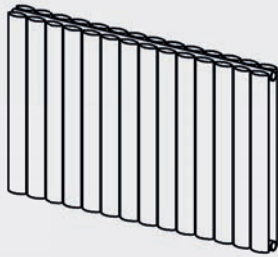


Deddington Vertical

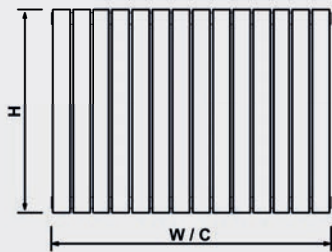
Technical Tables & Drawings

TUNSTALL DOUBLE HORIZONTAL

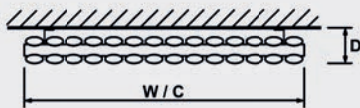
Perspective view



Front view



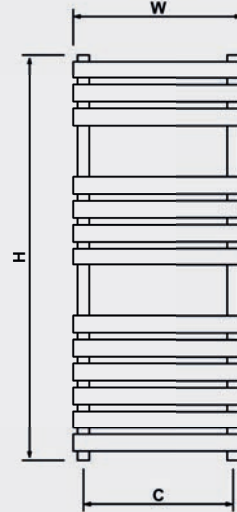
Side view



Bottom view

TUNSTALL DOUBLE TOWEL RAIL

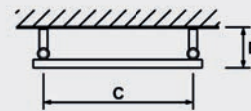
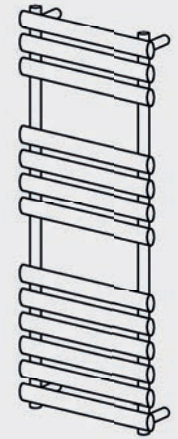
Front view



Side view



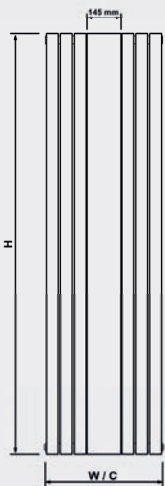
Perspective view



Bottom view

TUNSTALL MIRROR

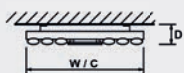
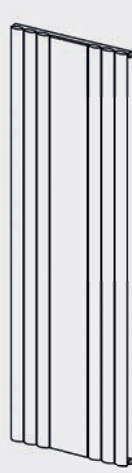
Front view



Side view



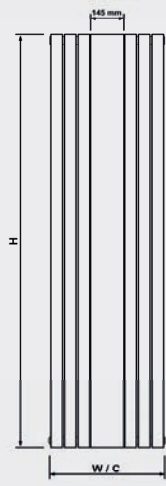
Perspective view



Bottom view

TUNSTALL DOUBLE MIRROR

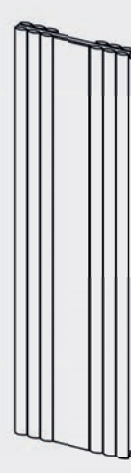
Front view



Side view



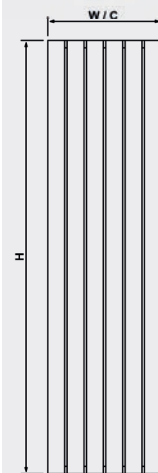
Perspective view



Bottom view

DEDDINGTON VERTICAL

Front view



Side view



Perspective view



Bottom view

Technical Tables & Drawings

DEDDINGTON - DESIGNER RANGE

Deddington - Horizontal

Height H (mm)	Width W (mm)	Tappings C (mm)	Distance from wall - D (mm)	Tappings from wall - A (mm)	Tube Qty	Water Content L	Weight KG	Colour	▲T60		Element Output	Element Type	Colour	▲T60		Element Output	Element Type
									Watts	BTU				Watts	BTU		
600	390	390	100	60	5	2.10	6.70	Coloured	373	1273	N/A	N/A	Chrome	249	850	N/A	N/A
600	470	470	100	60	6	2.50	8.00	Coloured	449	1532	N/A	N/A	Chrome	296	1010	N/A	N/A
600	550	550	100	60	7	2.90	9.40	Coloured	525	1792	N/A	N/A	Chrome	343	1171	N/A	N/A
600	630	630	100	60	8	3.40	11.9	Coloured	602	2055	N/A	N/A	Chrome	390	1331	N/A	N/A
600	790	790	100	60	10	4.30	14.7	Coloured	754	2573	N/A	N/A	Chrome	483	1648	N/A	N/A
600	950	950	100	60	12	5.10	17.6	Coloured	907	3095	N/A	N/A	Chrome	574	1959	N/A	N/A
600	1110	1110	100	60	14	6.00	18.80	Coloured	1059	3614	N/A	N/A	Chrome	664	2266	N/A	N/A
600	1270	1270	100	60	16	6.90	23.5	Coloured	1212	4136	N/A	N/A	Chrome	755	2577	N/A	N/A

Deddington Towel Rails

Height H (mm)	Width W (mm)	Tappings C (mm)	Distance from wall - D (mm)	Tappings from wall - A (mm)	Tube Qty	Water Content L	Weight KG	Colour	▲T60		Element Output	Element Type	Colour	▲T60		Element Output	Element Type
									Watts	BTU				Watts	BTU		
800	500	470	100	60	8	3.30	11	Coloured	509	1737	150W	A, A+, D, E, F, G	Chrome	320	1092	150W	A, A+, D, E, F, G
800	600	570	100	60	8	3.70	12.4	Coloured	591	2017	300W	A, A+, D, E, F, G	Chrome	368	1256	150W	A, A+, D, E, F, G
1200	500	470	100	60	11	4.60	15.1	Coloured	725	2474	300W	A, A+, D, E, F, G	Chrome	457	1560	300W	A, A+, D, E, F, G
1200	600	570	100	60	11	5.20	17.3	Coloured	843	2877	300W	A, A+, D, E, F, G	Chrome	525	1792	300W	A, A+, D, E, F, G
1800	500	470	100	60	15	6.50	20.6	Coloured	1031	3518	450W	A, A+, D, E, F, G	Chrome	646	2205	300W	A, A+, D, E, F, G
1800	600	570	100	60	15	7.30	23.6	Coloured	1199	4091	450W	A, A+, D, E, F, G	Chrome	743	2536	450W	A, A+, D, E, F, G

ADDINGTON - DESIGNER RANGE

Addington Type 10 - Vertical / Horizontal

Height H (mm)	Width W (mm)	Vertical Installation Tappings C1 (mm)	Horizontal Installation Tappings C2 (mm)	Distance from wall - D (mm)	Tappings from wall - A (mm)	Tube Qty	Water Content L	Weight KG	Colour	▲T60		Element Output	Element Type
										Watts	BTU		
500	514	514	450	69	40	7	2.63	6.95	Coloured	414	1413	150W	A, A+, C, E, H
500	588	588	450	69	40	8	3.00	7.93	Coloured	473	1614	300W	A, A+, C, E, H
600	292	292	550	69	40	4	1.70	4.60	Coloured	281	958	150W	A, A+
600	366	366	550	69	40	5	2.10	5.80	Coloured	351	1198	150W	A, A+
600	440	440	550	69	40	6	2.50	6.90	Coloured	421	1438	150W	A, A+, C, E, H
600	514	514	550	69	40	7	2.97	8.04	Coloured	492	1679	300W	A, A+, C, E, H
600	588	588	550	69	40	8	3.40	9.18	Coloured	562	1918	300W	A, A+, C, E, H
600	662	662	550	69	40	9	3.80	10.30	Coloured	632	2157	300W	A, A+, C, E, H
600	810	810	550	69	40	11	4.70	12.60	Coloured	772	2636	450W	A+, C, E, H
600	1032	1032	550	69	40	14	6.00	16.00	Coloured	983	3355	600W	A, A+, C, E, H
600	1180	1180	550	69	40	16	6.80	18.30	Coloured	1124	3834	600W	A, A+, C, E, H
600	1254	1254	550	69	40	17	7.20	19.40	Coloured	1194	4073	600W	A, A+, C, E, H
800	514	514	750	69	40	7	3.67	10.22	Coloured	642	2191	300W	A, A+, C, H
800	588	588	750	69	40	8	4.19	11.67	Coloured	733	2501	450W	A, A+, C, H
1000	514	514	950	69	40	7	4.36	12.41	Coloured	786	2682	450W	A, A+, C, H
1000	588	588	950	69	40	8	4.99	14.17	Coloured	898	3064	450W	A, A+, C, H
1200	514	514	1150	69	40	7	5.06	14.59	Coloured	923	3149	450W	A, A+, C, H
1200	588	588	1150	69	40	8	5.78	16.66	Coloured	1055	3600	600W	A+, C, H
1400	514	514	1350	69	40	7	5.75	16.78	Coloured	1055	3600	600W	A+, C, H
1400	588	588	1350	69	40	8	6.57	19.16	Coloured	1206	4115	600W	A+, C, H
1800	292	292	1750	69	40	4	4.08	12.12	Coloured	744	2539	N/A	N/A
1800	366	366	1750	69	40	5	5.10	15.13	Coloured	931	3177	N/A	N/A
1800	440	440	1750	69	40	6	6.12	18.14	Coloured	1117	3811	450W	A, A+
1800	514	514	1750	69	40	7	7.14	21.14	Coloured	1303	4446	600W	A+
1800	588	588	1750	69	40	8	8.16	24.15	Coloured	1489	5080	600W	A+

*In horizontal installation, the above Heights become Widths and above Widths become Heights



Deddington
Horizontal



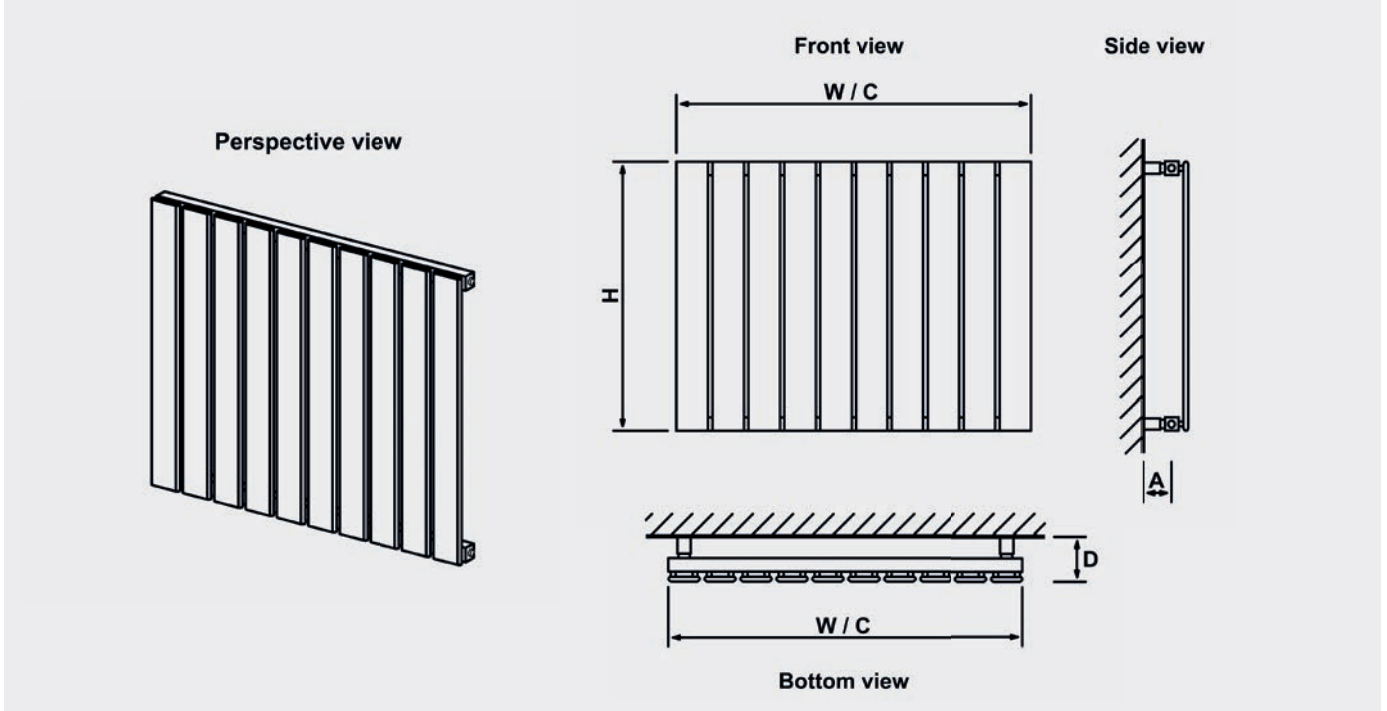
Deddington
Towel Rail



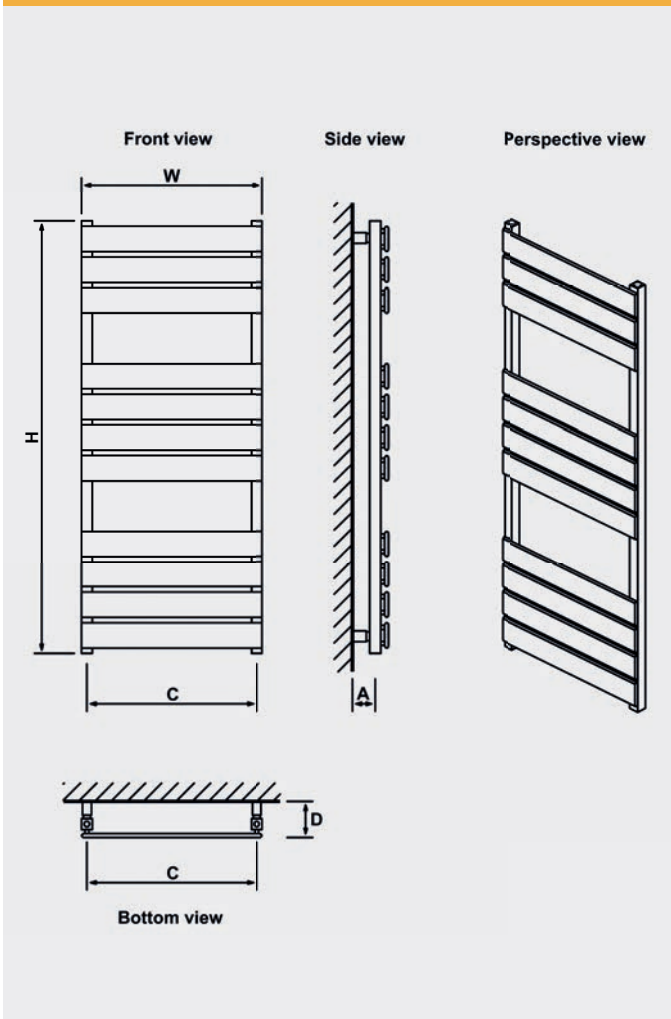
Addington Type 10
Vertical / Horizontal

Technical Tables & Drawings

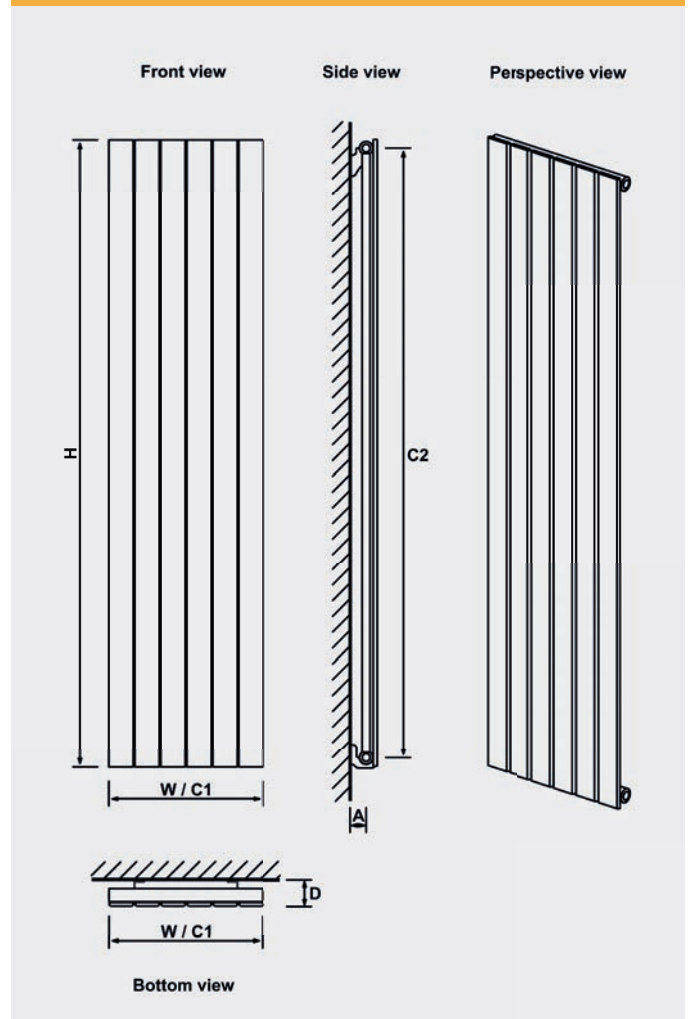
**DEDDINGTON
HORIZONTAL**



**DEDDINGTON
TOWEL RAIL**



**ADDINGTON TYPE 10
VERTICAL / HORIZONTAL**



Technical Tables & Drawings

ADDINGTON - DESIGNER RANGE

Addington Type 20 - Vertical / Horizontal													
Height H (mm)	Width W (mm)	Vertical Installation Tappings C1 (mm)	Horizontal Installation Tappings C2 (mm)	Distance from wall - D (mm)	Tappings from wall - A (mm)	Tube Qty	Water Content L	Weight KG	Colour	▲T60		Element Output	Element Type
										Watts	BTU		
600	292	292	550	93	64	8	2.9	8.4	Coloured	401	1369	150W	A,A+
600	366	366	550	93	64	10	3.7	10.4	Coloured	502	1712	300W	A,A+
600	440	440	550	93	64	12	4.4	12.5	Coloured	602	2054	300W	A,A+,C,H
600	514	514	550	93	64	14	5.2	14.6	Coloured	702	2396	300W	A,A+,C,H
600	588	588	550	93	64	16	5.9	16.7	Coloured	803	2738	450W	A,A+,C,H
600	662	662	550	93	64	18	6.6	18.7	Coloured	903	3081	450W	A,A+,C,H
600	810	810	550	93	64	22	8.1	22.9	Coloured	1104	3765	600W	A,A+,C,E,H
600	1032	1032	550	93	64	28	10.3	29.1	Coloured	1405	4792	750W	A,A+,C,E,H
600	1180	1180	550	93	64	32	11.8	33.2	Coloured	1605	5477	900W	A,A+,C,E,H
600	1254	1254	550	93	64	34	12.5	35.3	Coloured	1706	5819	1000W	A,A+,C,E,H
1800	366	366	1750	93	64	10	9.63	29.17	Coloured	1329	4535	300W	A,A+
1800	440	440	1750	93	64	12	11.56	34.98	Coloured	1595	5442	450W	A,A+
1800	514	514	1750	93	64	14	13.49	40.80	Coloured	1861	6350	600W	A+
1800	588	588	1750	93	64	16	15.41	46.62	Coloured	2127	7257	600W	A+

*In horizontal installation, the above Heights become Widths and above Widths become Heights

Addington Type 10 Towel Rail																	
Height H (mm)	Width W (mm)	Tappings C (mm)	Distance from wall - D (mm)	Tappings from wall - A (mm)	Tube Qty	Water Content L	Weight KG	Colour	▲T60		Element Output	Element Type	Colour	▲T60		Element Output	Element Type
									Watts	BTU				Watts	BTU		
790	400	350	69	40	8	3.20	8.50	Coloured	374	1276	150W	A, A+, D, E, F, G	-	-	-	-	-
790	500	450	69	40	8	3.60	10.00	Coloured	467	1593	150W	A, A+, D, E, F, G	-	-	-	-	-
790	600	550	69	40	8	4.00	11.30	Coloured	560	1911	300W	A, A+, D, E, F, G	-	-	-	-	-
1110	400	350	69	40	10	4.20	11.00	Coloured	492	1679	300W	A, A+, D, E, F, G	-	-	-	-	-
1110	500	450	69	40	10	4.70	12.75	Coloured	610	2081	300W	A, A+, D, E, F, G	-	-	-	-	-
1110	600	550	69	40	10	5.30	14.50	Coloured	731	2494	450W	A, A+, D, E, F, G	-	-	-	-	-
1750	400	350	69	40	14	6.30	16.00	Coloured	729	2487	450W	A, A+, D, E, F, G	-	-	-	-	-
1750	500	450	69	40	14	7.00	18.50	Coloured	885	3020	450W	A, A+, D, E, F, G	-	-	-	-	-
1750	600	550	69	40	14	7.70	21.00	Coloured	1062	3624	600W	A, A+, D, E, F, G	-	-	-	-	-

Addington Type 20 Towel Rail													
Height H (mm)	Width W (mm)	Tappings C (mm)	Distance from wall - D (mm)	Tappings from wall - A (mm)	Tube Qty	Water Content L	Weight KG	Colour	▲T60		Element Output	Element Type	
									Watts	BTU			
1110	500	450	93	64	20	4.70	16.75	Coloured	826	2817	450W	A, A+, D, E, F, G	
1750	500	450	93	64	28	10.60	29.70	Coloured	1163	3966	600W	A, A+, D, E, F, G	



Addington Type 20 Vertical / Horizontal



Addington Type 10 Towel Rail



Addington Type 20 Towel Rail

Technical Tables & Drawings

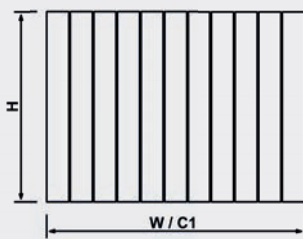
ADDINGTON TYPE 20 VERTICAL / HORIZONTAL

ADDINGTON TYPE 10 TOWEL RAIL

Perspective view



Front view

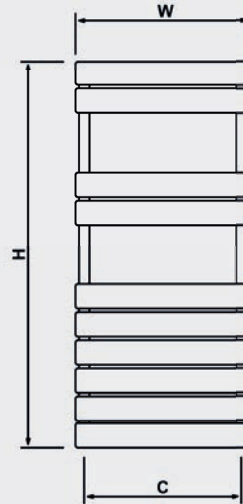


Side view



Bottom view

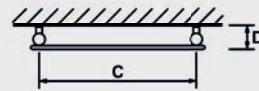
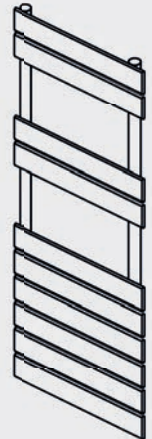
Front view



Side view



Perspective view



Bottom view

ADDINGTON TYPE 20 TOWEL RAIL

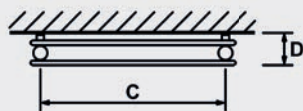
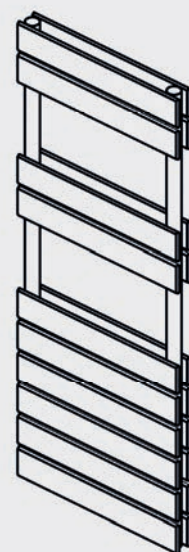
Front view



Side view



Perspective view



Bottom view

Technical Tables & Drawings

ADDINGTON - DESIGNER RANGE

Addington Type 21 - Horizontal

Height H (mm)	Width W (mm)	Tappings C (mm)	Distance from wall - D (mm)	Tappings from wall - A (mm)	Tube Qty	Water Content L	Weight KG	Colour	▲T60		Element Output	Element Type
									Watts	BTU		
558	600	550	115	75	16	6.75	20.48	Coloured	994	3392	600W	A+
558	800	750	115	75	16	8.52	26.86	Coloured	1325	4521	600W	A, A+
558	1000	950	115	75	16	10.28	33.23	Coloured	1694	5780	600W	A, A+
588	1200	1150	115	75	16	12.04	39.60	Coloured	1983	6766	600W	A, A+

Addington Type 22 - Horizontal

Height H (mm)	Width W (mm)	Tappings C (mm)	Distance from wall - D (mm)	Tappings from wall - A (mm)	Tube Qty	Water Content L	Weight KG	Colour	▲T60		Element Output	Element Type
									Watts	BTU		
292	1200	1150	135	85	8	5.80	21.70	Coloured	1703	5811	N/A	N/A
558	600	550	135	85	16	6.80	22.50	Coloured	1252	4272	600W	A+
558	800	750	135	85	16	8.40	29.50	Coloured	1670	5698	600W	A, A+
588	1000	950	135	85	16	10.00	36.40	Coloured	2099	7162	600W	A, A+
588	1200	1150	135	85	16	12.60	43.40	Coloured	2519	8595	600W	A, A+

Addington Type 21 Towel Rail

Height H (mm)	Width W (mm)	Tappings C (mm)	Distance from wall - D (mm)	Tappings from wall - A (mm)	Tube Qty	Water Content L	Weight KG	Colour	▲T60		Element Output	Element Type
									Watts	BTU		
1110	500	450	115	75	20	5.70	18.88	Coloured	1060	3615	600W	A, A+, D, E, F, G
1750	500	450	115	75	28	12.10	35.65	Coloured	1455	4962	900W	A, A+, D, E, F, G

WINGRAVE FLAT PANEL - FLAT PANEL RANGE

Wingrave Flat Panel

Height H (mm)	Width W (mm)	Tappings C1/C2 (mm)	Distance from wall - D (mm)	Tappings from wall - A (mm)	Tube Qty	Water Content L	Weight KG	Colour	▲T60		Element Output	Element Type
									Watts	BTU		
1200	310	255/50	96	73	26	4.80	9.70	Coloured	470	1604	150W	A, A+, D, E, F, G
1200	410	355/50	96	73	26	5.60	11.50	Coloured	593	2023	300W	A, A+, D, E, F, G
1200	510	455/50	96	73	26	6.50	13.40	Coloured	716	2443	300W	A, A+, D, E, F, G
1200	610	555/50	96	73	26	7.30	15.40	Coloured	840	2866	450W	A, A+, D, E, F, G
1800	310	255/50	96	73	38	7.00	14.10	Coloured	694	2368	300W	A, A+, D, E, F, G
1800	410	355/50	96	73	38	8.30	16.90	Coloured	874	2982	450W	A, A+, D, E, F, G
1800	510	455/50	96	73	38	9.50	19.80	Coloured	1054	3596	450W	A, A+, D, E, F, G
1800	610	555/50	96	73	38	10.80	22.70	Coloured	1234	4211	600W	A, A+, D, E, F, G



Addington Type 21 Horizontal



Addington Type 22 Horizontal



Addington Type 21 Towel Rail

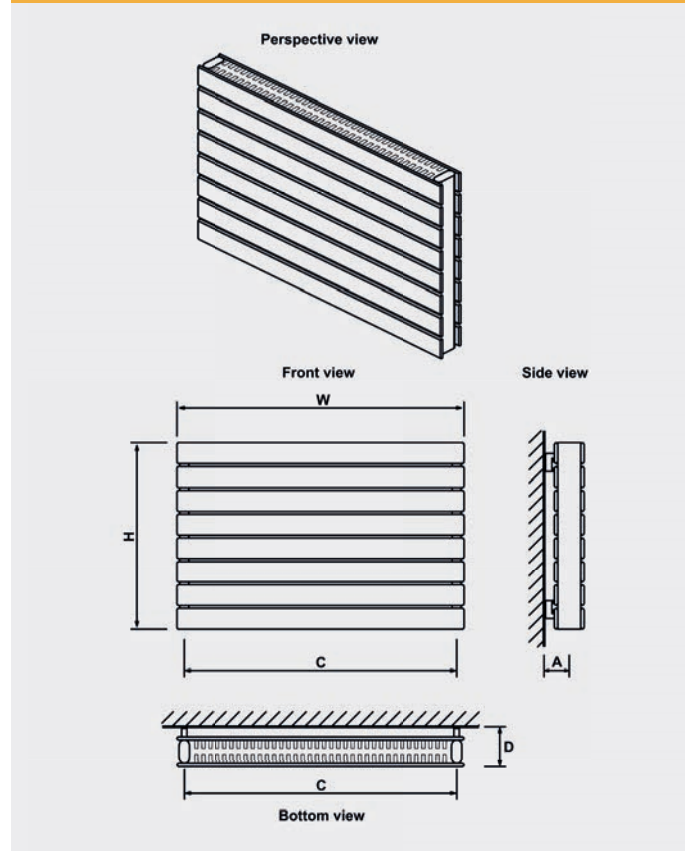
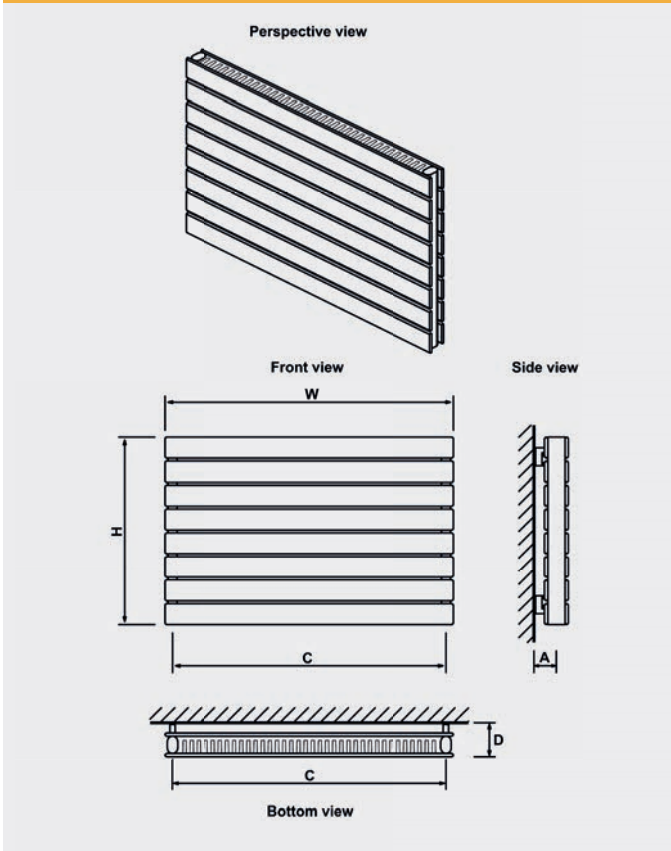


Wingrave Flat Panel

Technical Tables & Drawings

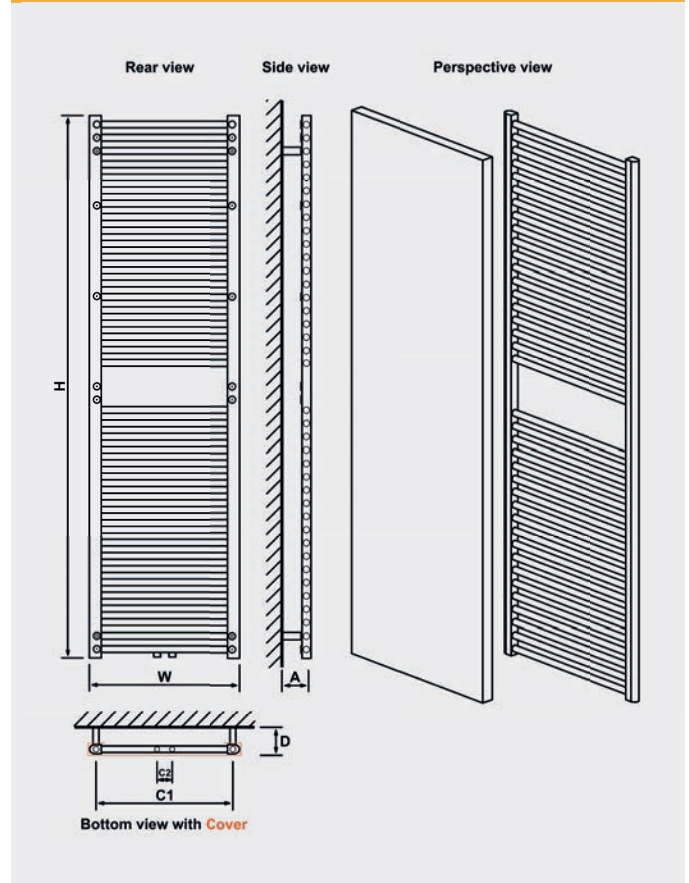
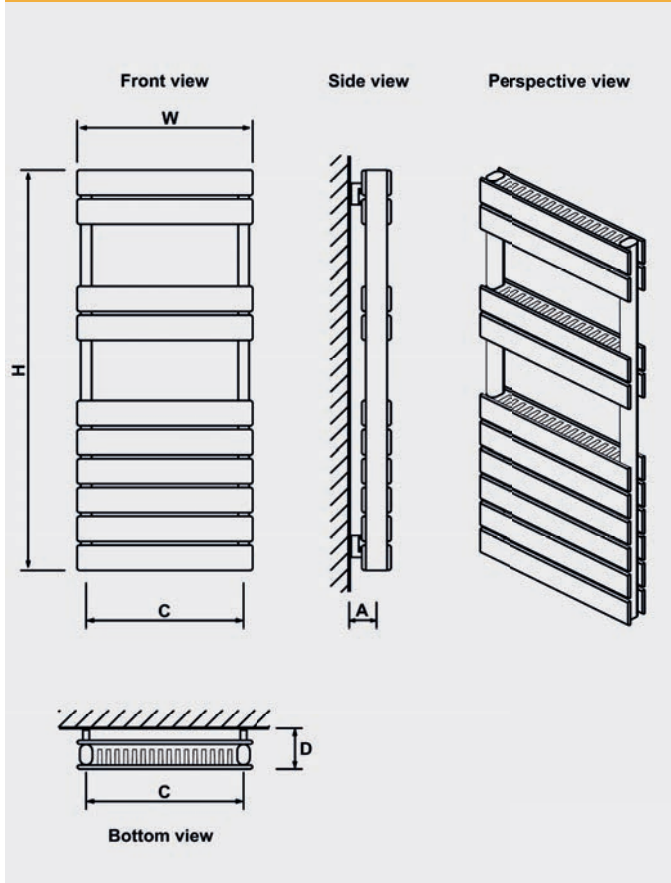
ADDINGTON TYPE 21 HORIZONTAL

ADDINGTON TYPE 22 HORIZONTAL



ADDINGTON TYPE 21 TOWEL RAIL

WINGRAVE FLAT PANEL



Technical Tables & Drawings

FLAT PANEL - FLAT PANEL RANGE

Type 11 Flat Panel Radiator

Height H (mm)	Width W (mm)	Tappings C1/C2 (mm)	Distance from wall - D (mm)	Tappings from wall - A (mm)	Tube Qty	Water Content L	Weight KG	Colour	▲T60		Element Output	Element Type	Colour	▲T60		Element Output	Element Type
									Watts	BTU				Watts	BTU		
400	600	600	76	42	-	-	8.7	Coloured	439	1497	-	-	-	-	-	-	-
400	800	800	76	42	-	-	11.5	Coloured	586	1998	-	-	-	-	-	-	-
400	1000	1000	76	42	-	-	14.4	Coloured	733	2500	-	-	-	-	-	-	-
400	1200	1200	76	42	-	-	17.3	Coloured	881	3005	-	-	-	-	-	-	-
400	1400	1400	76	42	-	-	20.1	Coloured	1027	3502	-	-	-	-	-	-	-
400	1600	1600	76	42	-	-	23.0	Coloured	1175	4007	-	-	-	-	-	-	-
500	400	400	76	42	-	-	7.1	Coloured	360	1225	-	-	-	-	-	-	-
500	600	600	76	42	-	-	10.8	Coloured	541	1844	-	-	-	-	-	-	-
500	800	800	76	42	-	-	14.2	Coloured	722	2460	-	-	-	-	-	-	-
500	1000	1000	76	42	-	-	17.7	Coloured	903	3080	-	-	-	-	-	-	-
500	1200	1200	76	42	-	-	21.2	Coloured	1085	3699	-	-	-	-	-	-	-
500	1400	1400	76	42	-	-	24.8	Coloured	1266	4315	-	-	-	-	-	-	-
500	1600	1600	76	42	-	-	28.3	Coloured	1447	4934	-	-	-	-	-	-	-
600	400	400	76	42	-	-	8.5	Coloured	424	1443	-	-	-	-	-	-	-
600	600	600	76	42	-	-	13.7	Coloured	638	2174	-	-	-	-	-	-	-
600	800	800	76	42	-	-	16.9	Coloured	851	2901	-	-	-	-	-	-	-
600	1000	1000	76	42	-	-	21.1	Coloured	1064	3628	-	-	-	-	-	-	-
600	1200	1200	76	42	-	-	25.3	Coloured	1277	4354	-	-	-	-	-	-	-
600	1400	1400	76	42	-	-	29.5	Coloured	1490	5081	-	-	-	-	-	-	-
600	1600	1600	76	42	-	-	33.7	Coloured	1705	5812	-	-	-	-	-	-	-
600	1800	1800	76	42	-	-	38.0	Coloured	1918	6538	-	-	-	-	-	-	-

FLAT PANEL - FLAT PANEL RANGE

Type 22 Flat Panel Radiator

Height H (mm)	Width W (mm)	Tappings C (mm)	Distance from wall - D (mm)	Tappings from wall - A (mm)	Tube Qty	Water Content L	Weight KG	Colour	▲T60		Element Output	Element Type	Colour	▲T60		Element Output	Element Type
									Watts	BTU				Watts	BTU		
400	600	600	128.5 / 139.5	77 / 88	-	-	15.0	Coloured	815	2779	-	-	-	-	-	-	-
400	800	800	128.5 / 139.5	77 / 88	-	-	20.0	Coloured	1085	3699	-	-	-	-	-	-	-
400	1000	1000	128.5 / 139.5	77 / 88	-	-	24.9	Coloured	1354	4616	-	-	-	-	-	-	-
400	1200	1200	128.5 / 139.5	77 / 88	-	-	29.9	Coloured	1624	5536	-	-	-	-	-	-	-
400	1400	1400	128.5 / 139.5	77 / 88	-	-	34.9	Coloured	1894	6456	-	-	-	-	-	-	-
400	1600	1600	128.5 / 139.5	77 / 88	-	-	39.8	Coloured	2161	7369	-	-	-	-	-	-	-
500	400	400	128.5 / 139.5	77 / 88	-	-	11.4	Coloured	647	2206	-	-	-	-	-	-	-
500	600	600	128.5 / 139.5	77 / 88	-	-	17.1	Coloured	973	3316	-	-	-	-	-	-	-
500	800	800	128.5 / 139.5	77 / 88	-	-	22.8	Coloured	1297	4422	-	-	-	-	-	-	-
500	1000	1000	128.5 / 139.5	77 / 88	-	-	28.4	Coloured	1623	5532	-	-	-	-	-	-	-
500	1200	1200	128.5 / 139.5	77 / 88	-	-	34.1	Coloured	1947	6639	-	-	-	-	-	-	-
500	1400	1400	128.5 / 139.5	77 / 88	-	-	39.8	Coloured	2272	7745	-	-	-	-	-	-	-
500	1600	1600	128.5 / 139.5	77 / 88	-	-	45.5	Coloured	2597	8855	-	-	-	-	-	-	-
600	400	400	128.5 / 139.5	77 / 88	-	-	14.0	Coloured	765	2607	-	-	-	-	-	-	-
600	600	600	128.5 / 139.5	77 / 88	-	-	21.0	Coloured	1147	3910	-	-	-	-	-	-	-
600	800	800	128.5 / 139.5	77 / 88	-	-	27.9	Coloured	1529	5214	-	-	-	-	-	-	-
600	1000	1000	128.5 / 139.5	77 / 88	-	-	34.9	Coloured	1911	6517	-	-	-	-	-	-	-
600	1200	1200	128.5 / 139.5	77 / 88	-	-	41.9	Coloured	2294	7820	-	-	-	-	-	-	-
600	1400	1400	128.5 / 139.5	77 / 88	-	-	48.8	Coloured	2676	9124	-	-	-	-	-	-	-
600	1600	1600	128.5 / 139.5	77 / 88	-	-	55.8	Coloured	3058	10427	-	-	-	-	-	-	-
600	1800	1800	128.5 / 139.5	77 / 88	-	-	62.8	Coloured	3440	11730	-	-	-	-	-	-	-



Flat Panel Type 11 Radiator

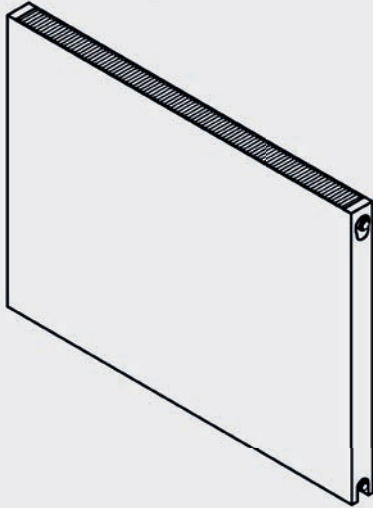


Flat Panel Type 22 Radiator

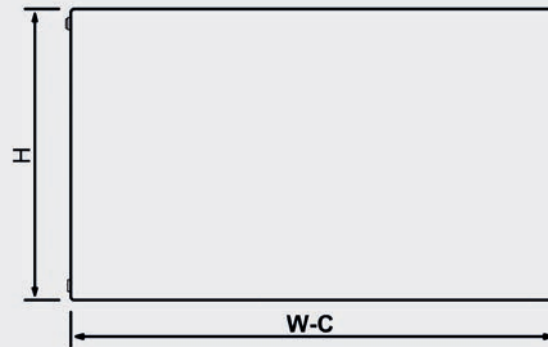
Technical Tables & Drawings

TYPE 11 FLAT PANEL RADIATOR

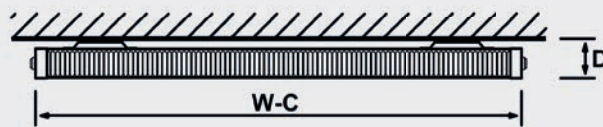
Perspective view



Front view



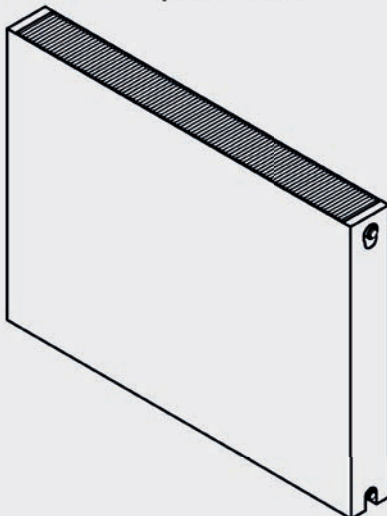
Side view



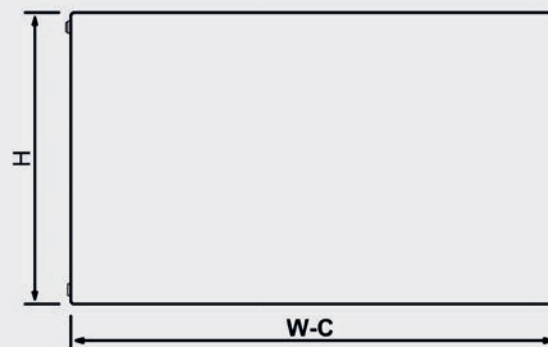
Top view

TYPE 22 FLAT PANEL RADIATOR

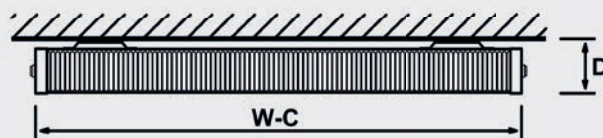
Perspective view



Front view



Side view



Top view

Technical Tables & Drawings

PELAGO - ALUMINIUM RANGE

Pelago Towel Rail

Height H (mm)	Width W (mm)	Tappings C (mm)	Distance from wall - D (mm)	Tappings from wall - A (mm)	Tube Qty	Water Content L	Weight KG	Colour	▲T60		Element Output	Element Type	Colour	▲T60		Element Output	Element Type
									Watts	BTU				Watts	BTU		
600	500	475	88-118	75-105	5	0.73	2.3	Coloured	296	1011	150W	A, A+, D, E	Polished	287	981	150W	A, A+
600	600	575	88-118	75-105	5	0.80	2.6	Coloured	356	1213	150W	A, A+, D, E	Polished	345	1177	150W	A, A+
1200	500	475	88-118	75-105	9	1.37	4.3	Coloured	566	1931	300W	A, A+, D, E	Polished	549	1873	300W	A, A+
1200	600	575	88-118	75-105	9	1.51	4.8	Coloured	679	2317	300W	A, A+, D, E	Polished	659	2248	300W	A, A+
1800	500	475	88-118	75-105	14	2.10	6.5	Coloured	907	3094	450W	A+, D, E	Polished	880	3001	450W	A, A+
1800	600	575	88-118	75-105	14	2.31	7.3	Coloured	1088	3712	600W	A, A+, D, E	Polished	1055	3601	600W	A, A+

VELOR - ALUMINIUM RANGE

Velor Towel Rail

Height H (mm)	Width W (mm)	Tappings C (mm)	Distance from wall - D (mm)	Tappings from wall - A (mm)	Tube Qty	Water Content L	Weight KG	Colour	▲T60		Element Output	Element Type
									Watts	BTU		
600	500	475	100-130	80-110	8	0.70	3.4	Coloured	266	908	150W	A, A+, D, E
600	600	575	100-130	80-110	8	0.80	3.8	Coloured	319	1090	150W	A, A+, D, E
1200	500	475	100-130	80-110	21	1.81	7.8	Coloured	699	2384	300W	A, A+, D, E
1200	600	575	100-130	80-110	21	2.10	8.9	Coloured	838	2861	450W	A, A+, D, E
1800	500	475	100-130	80-110	31	2.67	11.4	Coloured	1031	3519	600W	A, A+, D, E
1800	600	575	100-130	80-110	31	3.10	13.1	Coloured	1238	4223	750W	A, A+, D, E

CHARLTON - ALUMINIUM RANGE

Charlton - Vertical

Height H (mm)	Width W (mm)	Tappings C (mm)	Distance from wall - D (mm)	Tappings from wall - A (mm)	Tube Qty	Water Content L	Weight KG	Colour	▲T60		Element Output	Element Type
									Watts	BTU		
600	280	280	71/91	33/53	3	0.60	3.75	Coloured	305	1041	150W	A, A+, F, G
1200	280	280	71/91	33/53	3	1.20	4.60	Coloured	585	1997	300W	A, A+, F, G
1200	375	375	71/91	33/53	4	1.60	6.10	Coloured	775	2645	300W	A, A+, F, G
1200	470	470	71/91	33/53	5	2.00	7.70	Coloured	963	3286	450W	A, A+, F, G
1200	565	565	71/91	33/53	6	2.40	9.20	Coloured	1150	3924	600W	A, A+, F, G
1800	280	280	71/91	33/53	3	1.80	8.1	Coloured	844	2880	450W	A, A+, F, G
1800	375	375	71/91	33/53	4	2.40	10.3	Coloured	1119	3819	600W	A, A+, F, G
1800	470	470	71/91	33/53	5	3.00	12.8	Coloured	1391	4747	750W	A, A+, F, G
1800	565	565	71/91	33/53	6	3.50	14.80	Coloured	1661	5668	1000W	A, A+, F, G

Charlton - Horizontal

Height H (mm)	Width W (mm)	Tappings C (mm)	Distance from wall - D (mm)	Tappings from wall - A (mm)	Tube Qty	Water Content L	Weight KG	Colour	▲T60		Element Output	Element Type
									Watts	BTU		
600	470	470	71/91	33/53	5	1.10	5.70	Coloured	503	1717	300W	A, A+, C, H
600	660	660	71/91	33/53	7	1.50	7.80	Coloured	697	2379	450W	A, A+, C, H
600	850	850	71/91	33/53	9	2.00	9.50	Coloured	890	3037	600W	A, A+, C, H
600	1040	1040	71/91	33/53	11	2.40	11.50	Coloured	1081	3689	750W	A, A+, C, H
600	1230	1230	71/91	33/53	13	2.90	13.50	Coloured	1271	4337	900W	A, A+, C, H
600	1420	1420	71/91	33/53	15	3.30	12.30	Coloured	1460	4982	900W	A, A+, C, H



Pelago Towel Rail

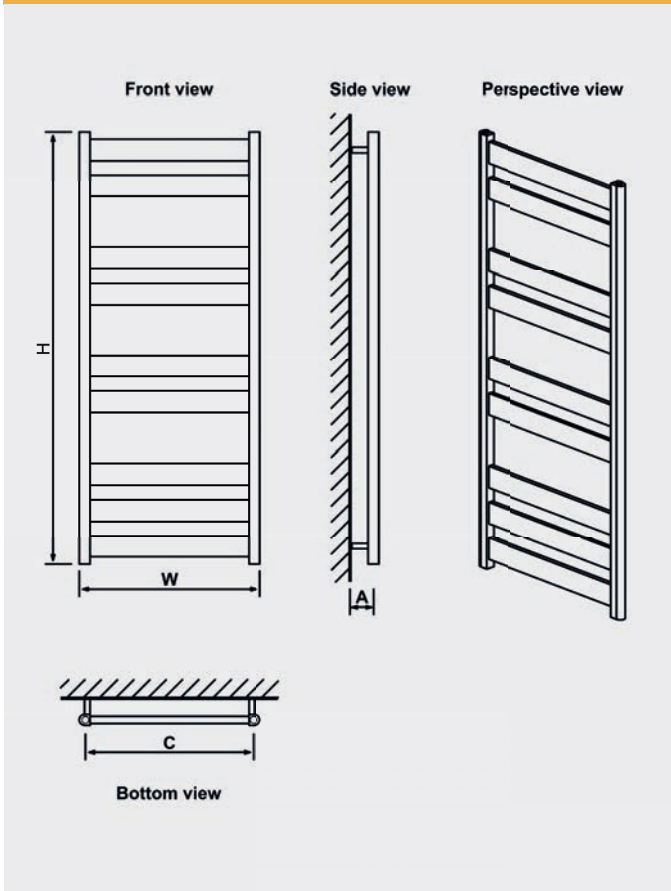


Velor Towel Rail

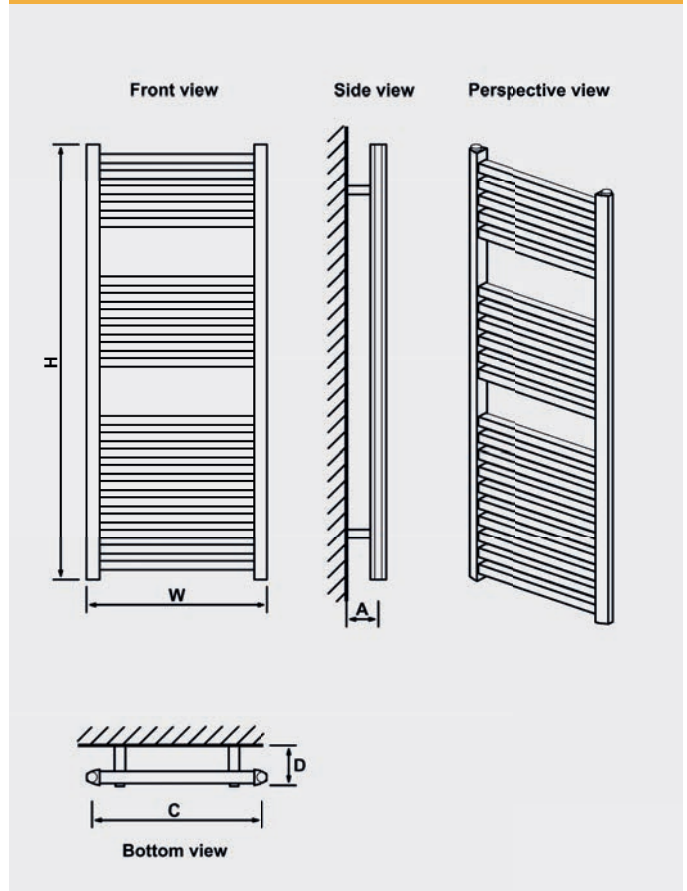
Charlton
VerticalCharlton
Horizontal

Technical Tables & Drawings

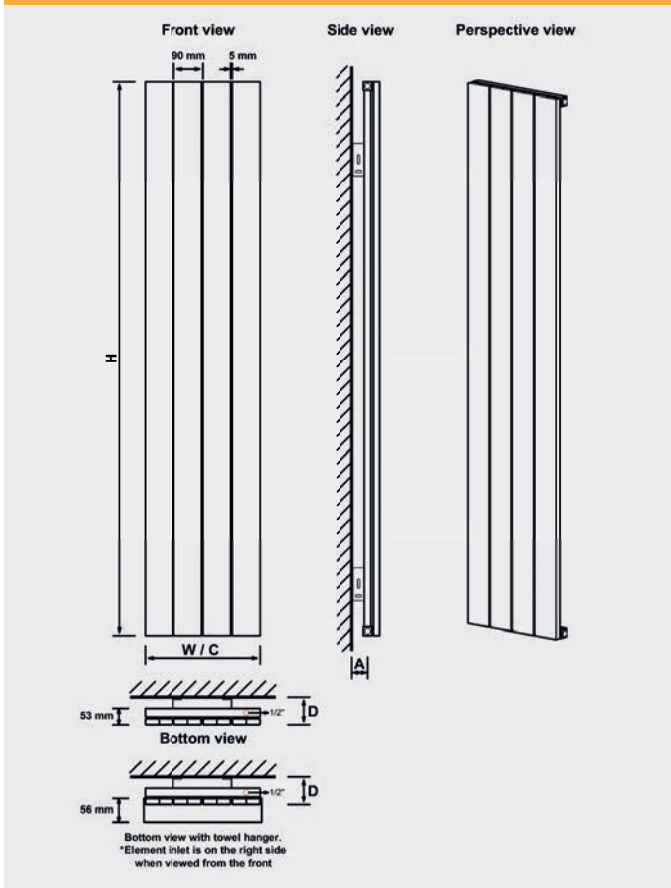
PELAGO TOWEL RAIL



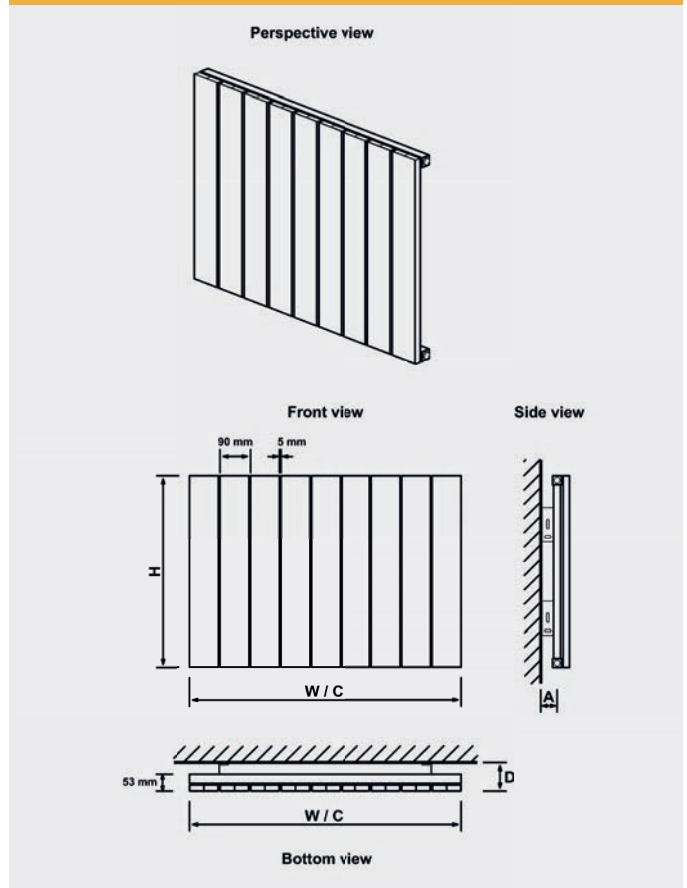
VELOR TOWEL RAIL



CHARLTON - VERTICAL



CHARLTON - HORIZONTAL



Technical Tables & Drawings

WITHINGTON - ALUMINIUM RANGE

Withington - Vertical

Height H (mm)	Width W (mm)	Tappings C (mm)	Distance from wall - D (mm)	Tappings from wall - A (mm)	Tube Qty	Water Content L	Weight KG	Colour	▲T60		Element Output	Element Type
									Watts	BTU		
600	280	280	71/91	33/53	3	0.60	3.75	Coloured	305	1041	150W	A, A+, F, G
1200	280	280	71/91	33/53	3	1.20	4.30	Coloured	559	1908	300W	A, A+, F, G
1200	375	375	71/91	33/53	4	1.60	5.80	Coloured	742	2532	300W	A, A+, F, G
1200	470	470	71/91	33/53	5	2.00	7.30	Coloured	922	3146	450W	A, A+, F, G
1200	565	565	71/91	33/53	6	2.40	8.80	Coloured	1101	3757	600W	A, A+, F, G
1800	280	280	71/91	33/53	3	1.80	8.00	Coloured	812	2771	450W	A, A+, F, G
1800	375	375	71/91	33/53	4	2.40	10.20	Coloured	1076	3672	600W	A, A+, F, G
1800	470	470	71/91	33/53	5	3.00	12.70	Coloured	1338	4566	750W	A, A+, F, G
1800	565	565	71/91	33/53	6	3.50	14.80	Coloured	1598	5453	1000W	A, A+, F, G

Withington - Horizontal

Height H (mm)	Width W (mm)	Tappings C (mm)	Distance from wall - D (mm)	Tappings from wall - A (mm)	Tube Qty	Water Content L	Weight KG	Colour	▲T60		Element Output	Element Type
									Watts	BTU		
600	470	470	71/91	33/53	5	1.10	5.70	Coloured	502	1713	300W	A, A+, C, H
600	660	660	71/91	33/53	7	1.50	7.80	Coloured	697	2379	450W	A, A+, C, H
600	850	850	71/91	33/53	9	2.00	9.50	Coloured	889	3034	600W	A, A+, C, H
600	1040	1040	71/91	33/53	11	2.40	11.50	Coloured	1080	3685	750W	A, A+, C, H
600	1230	1230	71/91	33/53	13	2.90	13.50	Coloured	1270	4334	900W	A, A+, C, H
600	1420	1420	71/91	33/53	15	3.30	13.00	Coloured	1459	4979	900W	A, A+, C, H

MALMESBURY - ALUMINIUM RANGE

Malmesbury - Vertical

Height H (mm)	Width W (mm)	Tappings C (mm)	Distance from wall - D (mm)	Tappings from wall - A (mm)	Tube Qty	Water Content L	Weight KG	Colour	▲T60		Element Output	Element Type
									Watts	BTU		
1200	185	185	71/91	33/53	2	0.80	2.90	Coloured	375	1280	150W	A, A+, F, G
1200	280	280	71/91	33/53	3	1.20	4.40	Coloured	554	1891	300W	A, A+, F, G
1200	375	375	71/91	33/53	4	1.60	5.70	Coloured	730	2491	300W	A, A+, F, G
1200	470	470	71/91	33/53	5	2.00	7.30	Coloured	903	3082	450W	A, A+, F, G
1200	565	565	71/91	33/53	6	2.40	8.30	Coloured	1074	3665	600W	A, A+, F, G
1800	185	185	71/91	33/53	2	1.18	5.6	Coloured	544	1857	300W	A, A+, F, G
1800	280	280	71/91	33/53	3	1.80	7.9	Coloured	804	2744	450W	A, A+, F, G
1800	375	375	71/91	33/53	4	2.40	10.1	Coloured	1060	3617	600W	A, A+, F, G
1800	470	470	71/91	33/53	5	3.00	12.6	Coloured	1311	4474	750W	A, A+, F, G
1800	565	565	71/91	33/53	6	3.50	13.80	Coloured	1560	5323	1000W	A, A+, F, G

Malmesbury - Horizontal

Height H (mm)	Width W (mm)	Tappings C (mm)	Distance from wall - D (mm)	Tappings from wall - A (mm)	Tube Qty	Water Content L	Weight KG	Colour	▲T60		Element Output	Element Type
									Watts	BTU		
500	375	375	79/99	33/53	4	0.94	4.3	Coloured	340	1161	150W	A, A+, C, H
500	470	470	79/99	33/53	5	1.18	5.1	Coloured	421	1437	150W	A, A+, C, H
500	565	565	79/99	33/53	6	1.41	6.0	Coloured	500	1706	300W	A, A+, C, H
600	375	375	79/99	33/53	4	1.75	4.6	Coloured	397	1355	150W	A, A+, C, H
600	470	470	79/99	33/53	5	2.17	5.7	Coloured	491	1676	300W	A, A+, C, H
600	565	565	79/99	33/53	6	2.50	6.6	Coloured	585	1997	300W	A, A+, C, H
600	850	850	79/99	33/53	9	3.75	9.5	Coloured	859	2931	450W	A, A+, C, H
600	1040	1040	79/99	33/53	11	4.58	11.3	Coloured	1039	3546	600W	A, A+, C, H
600	1230	1230	79/99	33/53	13	5.42	13.0	Coloured	1217	4153	750W	A, A+, C, H
600	1420	1420	79/99	33/53	15	6.30	12.6	Coloured	1394	4757	900W	A, A+, C, H



Withington
Vertical



Withington
Horizontal



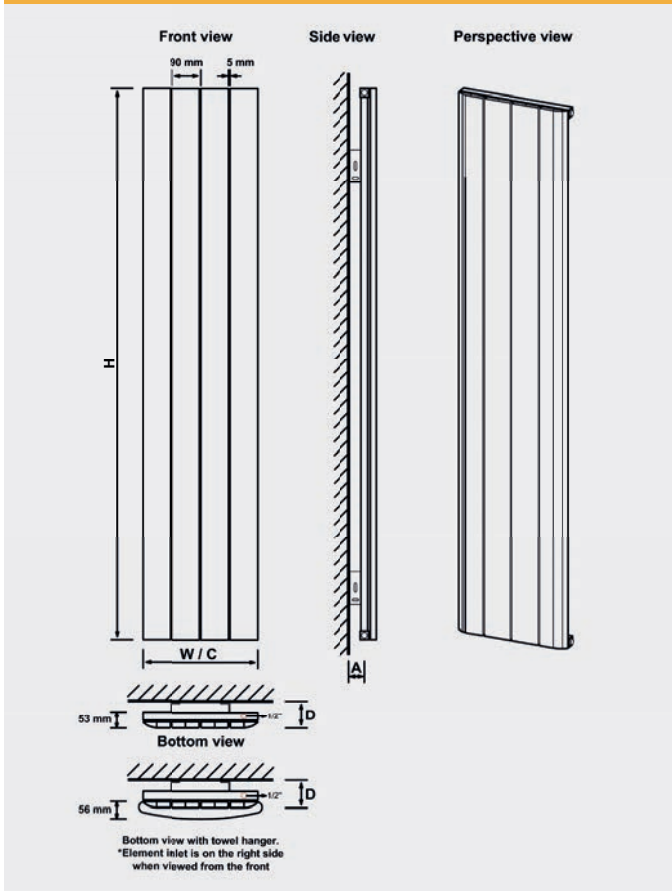
Malmesbury
Vertical



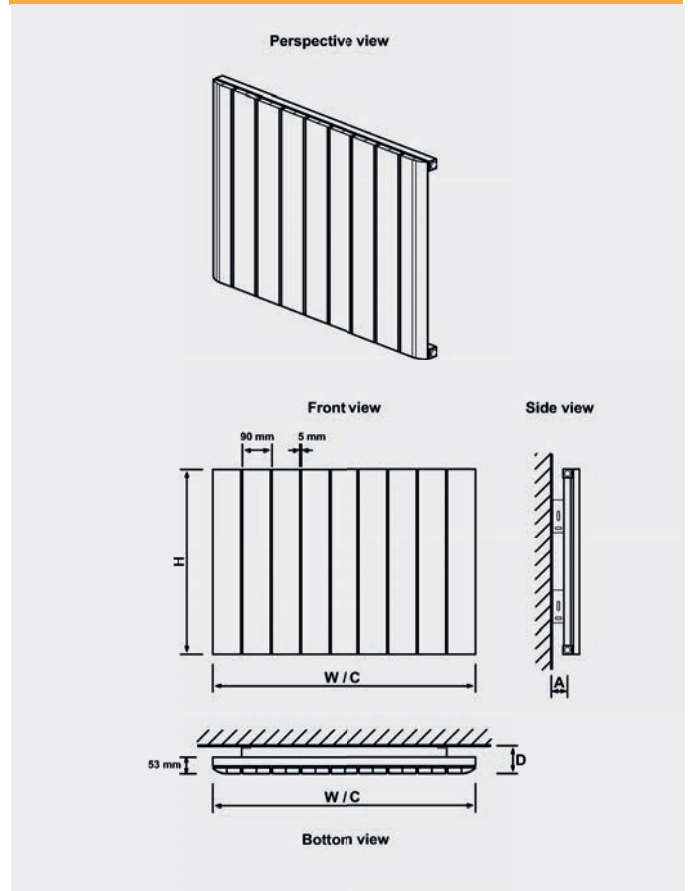
Malmesbury
Horizontal

Technical Tables & Drawings

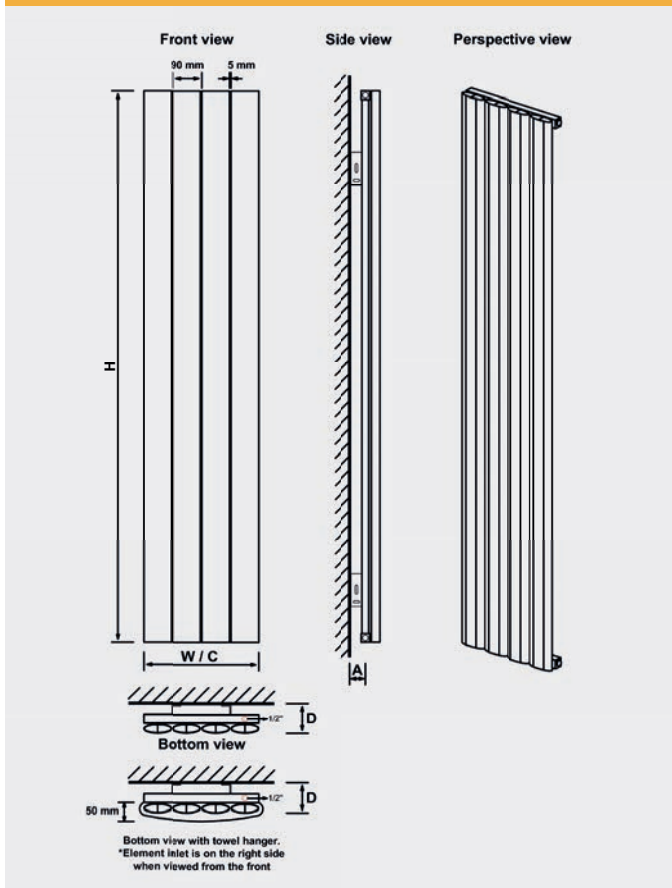
WITHINGTON - VERTICAL



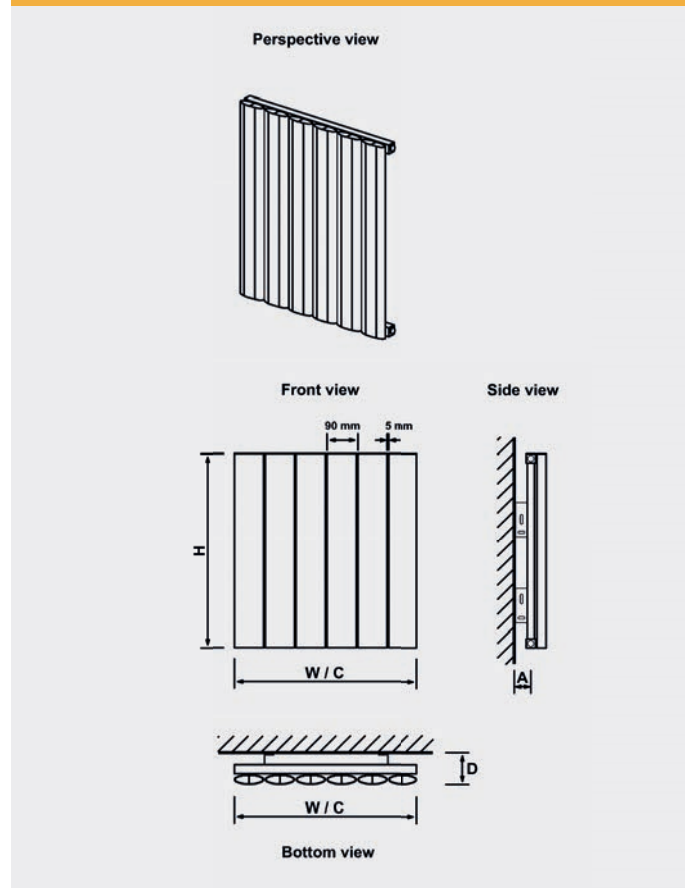
WITHINGTON - HORIZONTAL



MALMESBURY - VERTICAL



MALMESBURY - HORIZONTAL



Technical Tables & Drawings

ADDINGTON ALUMINIUM - DESIGNER RANGE

Addington Aluminium Type10 - Vertical / Horizontal												
Height H (mm)	Width W (mm)	Tappings C (mm)	Distance from wall - D (mm)	Tappings from wall - A (mm)	Tube Qty	Water Content L	Weight KG	Colour	▲ T60		Element Output	Element Type
									Watts	BTU		
500	514	514	76.5	45	7	1.14	5.83	Coloured	443	1512	150W	A
500	588	588	76.5	45	8	1.30	6.66	Coloured	507	1728	150W	A
600	292	292	76.5	45	4	0.76	3.81	Coloured	315	1074	150W	A
600	366	366	76.5	45	5	0.96	4.60	Coloured	393	1342	150W	A
600	440	440	76.5	45	6	1.15	5.66	Coloured	472	11610	150W	A
600	514	514	76.5	45	7	1.34	6.42	Coloured	551	1879	300W	A
600	588	588	76.5	45	8	1.53	7.39	Coloured	629	2147	300W	A
600	662	662	76.5	45	9	1.72	8.26	Coloured	708	2416	300W	A
600	810	810	76.5	45	11	2.10	10.10	Coloured	865	2952	300W	A
600	1032	1032	76.5	45	14	2.67	12.86	Coloured	1101	3758	600W	A
600	1180	1180	76.5	45	16	3.06	15.10	Coloured	1259	4294	600W	A
600	1254	1254	76.5	45	17	3.25	15.96	Coloured	1337	4563	600W	A
800	514	514	76.5	45	7	1.74	8.02	Coloured	709	2420	300W	A
800	588	588	76.5	45	8	1.98	9.16	Coloured	811	2766	300W	A
1000	514	514	76.5	45	7	2.13	9.43	Coloured	862	2940	300W	A
1000	588	588	76.5	45	8	2.43	10.74	Coloured	985	3360	300W	A
1200	514	514	76.5	45	7	2.53	10.72	Coloured	1010	3446	300W	A
1200	588	588	76.5	45	8	2.89	12.23	Coloured	1154	3938	600W	A
1400	514	514	76.5	45	7	2.93	12.13	Coloured	1154	3937	600W	A
1400	588	588	76.5	45	8	3.34	13.88	Coloured	1319	4499	600W	A
1800	292	292	76.5	45	4	2.12	8.65	Coloured	816	2786	600W	A
1800	366	366	76.5	45	5	2.66	10.19	Coloured	1021	3482	600W	A
1800	440	440	76.5	45	6	3.19	12.85	Coloured	1225	4179	600W	A
1800	514	514	76.5	45	7	3.72	15.05	Coloured	1429	4875	900W	A
1800	588	588	76.5	45	8	4.25	17.09	Coloured	1633	5572	900W	A

Addington Aluminium Type20 - Vertical / Horizontal												
Height H (mm)	Width W (mm)	Tappings C (mm)	Distance from wall - D (mm)	Tappings from wall - A (mm)	Tube Qty	Water Content L	Weight KG	Colour	▲ T60		Element Output	Element Type
									Watts	BTU		
600	292	292	96.5	65	8	0.76	5.09	Coloured	442	1509	150W	A
600	366	366	96.5	65	10	0.96	6.34	Coloured	553	1887	300W	A
600	440	440	96.5	65	12	1.15	7.53	Coloured	664	2264	300W	A
600	514	514	96.5	65	14	1.34	8.54	Coloured	774	2641	300W	A
600	588	588	96.5	65	16	1.53	9.79	Coloured	885	3019	300W	A
600	662	662	96.5	65	18	1.72	11.34	Coloured	995	3396	300W	A
600	810	810	96.5	65	22	2.10	13.42	Coloured	1216	4151	600W	A
600	1032	1032	96.5	65	28	2.67	17.53	Coloured	1548	5283	600W	A
600	1180	1180	96.5	65	32	3.06	19.49	Coloured	1769	6038	900W	A
600	1254	1254	96.5	65	34	3.25	20.68	Coloured	1880	6415	900W	A
1800	366	366	96.5	65	10	2.66	15.89	Coloured	1435	4896	600W	A
1800	440	440	96.5	65	12	3.19	18.82	Coloured	1722	5875	900W	A
1800	514	514	96.5	65	14	3.72	21.94	Coloured	2009	6854	900W	A
1800	588	588	96.5	65	16	4.25	25.18	Coloured	2296	7834	900W	A



Addington Aluminium Type 10 Horizontal



Addington Aluminium Type 10 Vertical



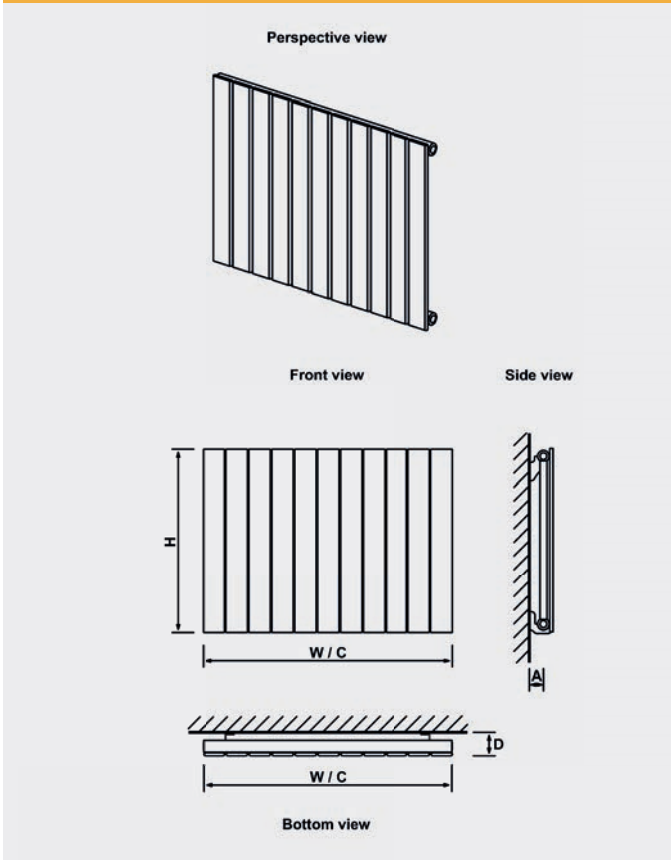
Addington Aluminium Type 20 Horizontal



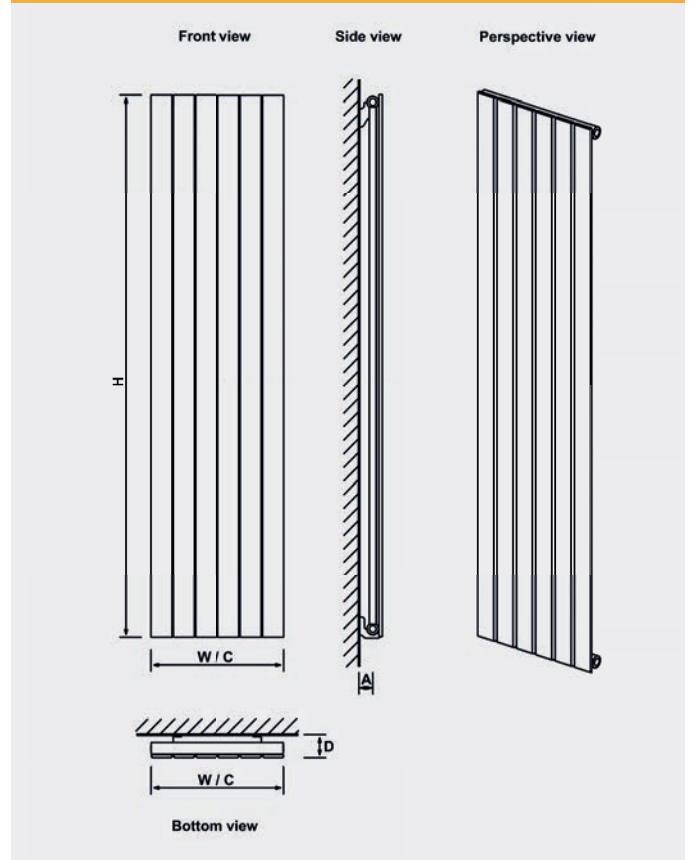
Addington Aluminium Type 20 Vertical

Technical Tables & Drawings

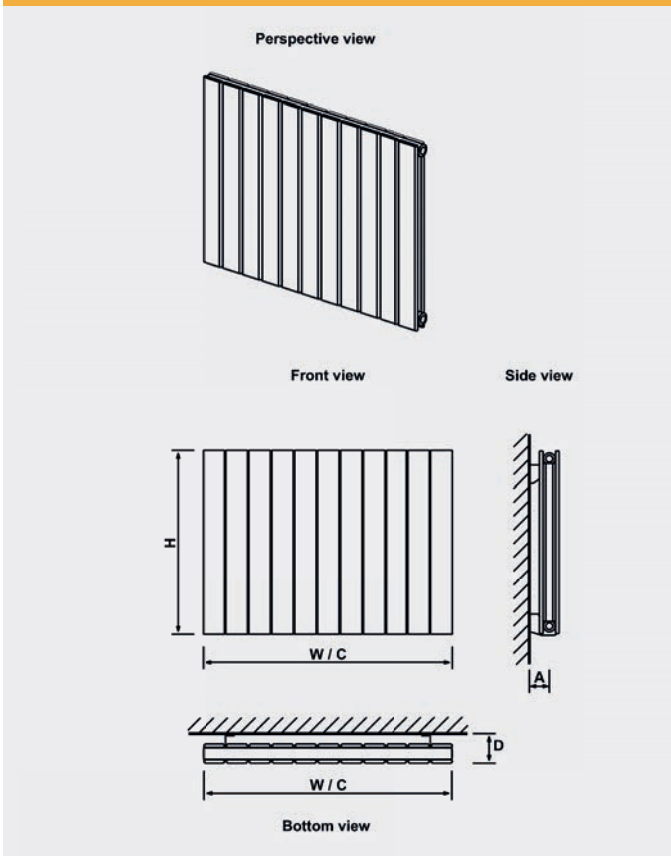
ADDINGTON ALUMINIUM TYPE 10 HORIZONTAL



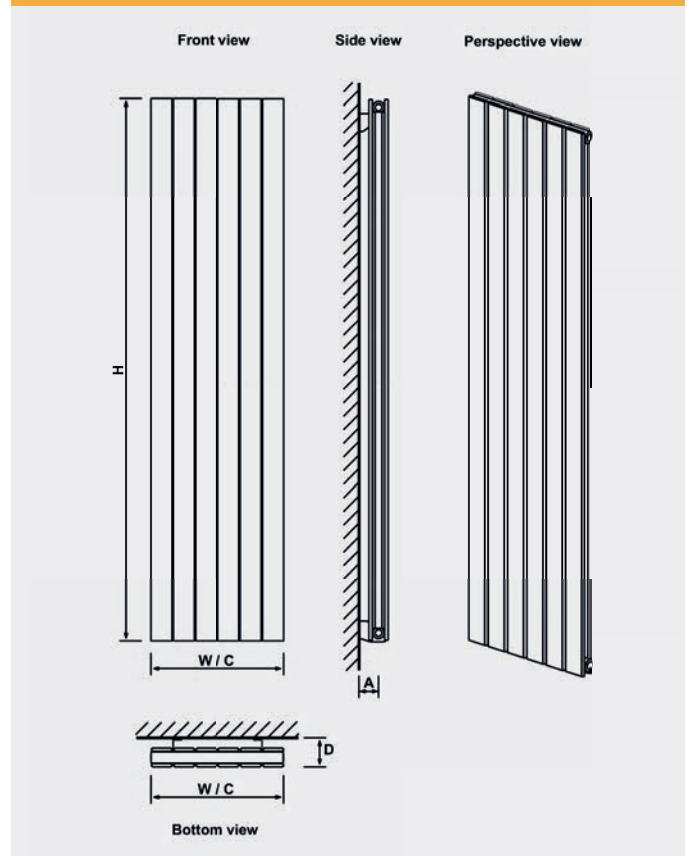
ADDINGTON ALUMINIUM TYPE 10 VERTICAL



ADDINGTON ALUMINIUM TYPE 20 HORIZONTAL



ADDINGTON ALUMINIUM TYPE 20 VERTICAL



Technical Tables & Drawings

ROSANO - ALUMINIUM RANGE

Rosano - Vertical

Height H (mm)	Width W (mm)	Tappings C1 / C2* (mm)	Distance from wall - D (mm)	Tappings from wall - A (mm)	Tube Qty	Water Content L	Weight KG	Colour	▲T60		Element Output	Element Type
									Watts	BTU		
600	280	280/190	70/90	35/55	3	0.58	4.6	Coloured	316	1078	150W	A, A+
1800	280	280/190	70/90	35/55	3	1.75	10.0	Coloured	948	3235	450W	A, A+
1800	375	375/285	70/90	35/55	4	2.33	13.1	Coloured	1264	4313	750W	A, A+
1800	470	470/380	70/90	35/55	5	2.91	16.2	Coloured	1580	5391	900W	A, A+
1800	565	565/475	70/90	35/55	6	3.52	19.50	Coloured	1896	6469	1000W	A, A+

* Tappings C1 : Side connection, Tappings C2 : Bottom connection.

Rosano - Horizontal

Height H (mm)	Width W (mm)	Tappings C (mm)	Distance from wall - D (mm)	Tappings from wall - A (mm)	Tube Qty	Water Content L	Weight KG	Colour	▲T60		Element Output	Element Type
									Watts	BTU		
600	470	470	70/90	35/55	5	0.96	6.7	Coloured	555	1894	300W	A, A+, C, H
600	660	660	70/90	35/55	7	1.34	9.1	Coloured	777	2651	450W	A, A+, C, H
600	850	850	70/90	35/55	9	1.73	11.5	Coloured	999	3409	600W	A, A+, C, H
600	1040	1040	70/90	35/55	11	2.11	13.9	Coloured	1221	4166	750W	A, A+, C, H
600	1230	1230	70/90	35/55	13	2.50	16.3	Coloured	1443	4924	900W	A, A+, C, H

PERETTI - ALUMINIUM RANGE

Peretti - Vertical

Height H (mm)	Width W (mm)	Tappings C1 / C2** (mm)	Distance from wall - D (mm)	Tappings from wall - A (mm)	Tube Qty	Water Content L	Weight KG	Colour	▲T60		Element Output	Element Type
									Watts	BTU		
600	280	280/190	70/90	35/55	3	0.58	4.6	Coloured	316	1078	150W	A, A+
1800	280	280/190	70/90	35/55	3	1.75	10.0	Coloured	948	3235	450W	A, A+
1800	375	375/285	70/90	35/55	4	2.33	13.1	Coloured	1264	4313	750W	A, A+
1800	470	470/380	70/90	35/55	5	2.91	16.2	Coloured	1580	5391	900W	A, A+
1800	565	565/475	70/90	35/55	6	3.52	19.50	Coloured	1896	6469	1000W	A, A+

* Polished Aluminium heat outputs approx 3% lower than the coloured models.

** Tappings C1 : Side connection, Tappings C2 : Bottom connection.

Peretti - Horizontal

Height H (mm)	Width W (mm)	Tappings C (mm)	Distance from wall - D (mm)	Tappings from wall - A (mm)	Tube Qty	Water Content L	Weight KG	Colour	▲T60		Element Output	Element Type
									Watts	BTU		
600	470	470	70/90	35/55	5	0.96	6.7	Coloured	555	1894	300W	A, A+, C, H
600	660	660	70/90	35/55	7	1.34	9.1	Coloured	777	2651	450W	A, A+, C, H
600	850	850	70/90	35/55	9	1.73	11.5	Coloured	999	3409	600W	A, A+, C, H
600	1040	1040	70/90	35/55	11	2.11	13.9	Coloured	1221	4166	750W	A, A+, C, H
600	1230	1230	70/90	35/55	13	2.50	16.3	Coloured	1443	4924	900W	A, A+, C, H

* Polished Aluminium heat outputs approx 3% lower than the coloured models.



Rosano
Vertical



Rosano
Horizontal



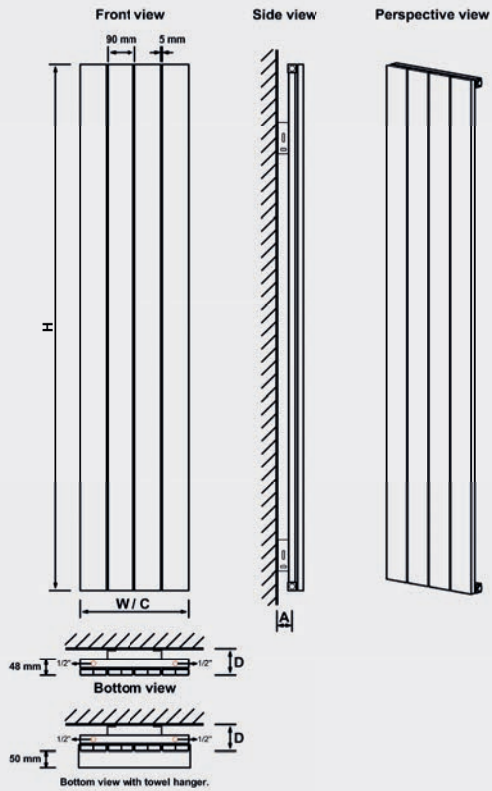
Peretti
Vertical



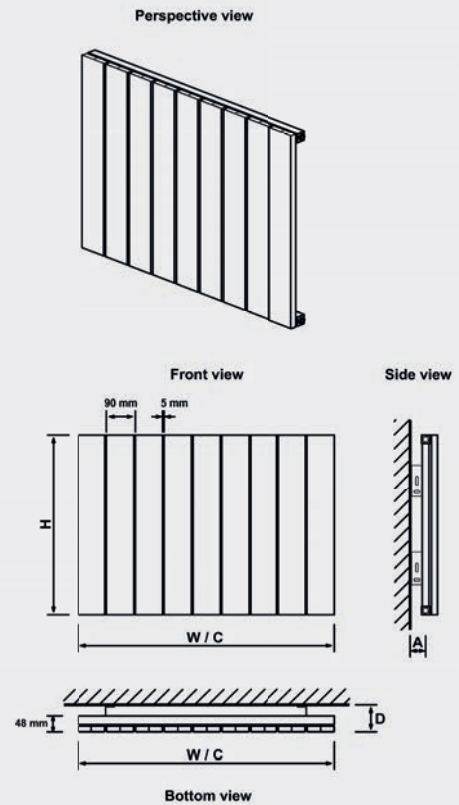
Peretti
Horizontal

Technical Tables & Drawings

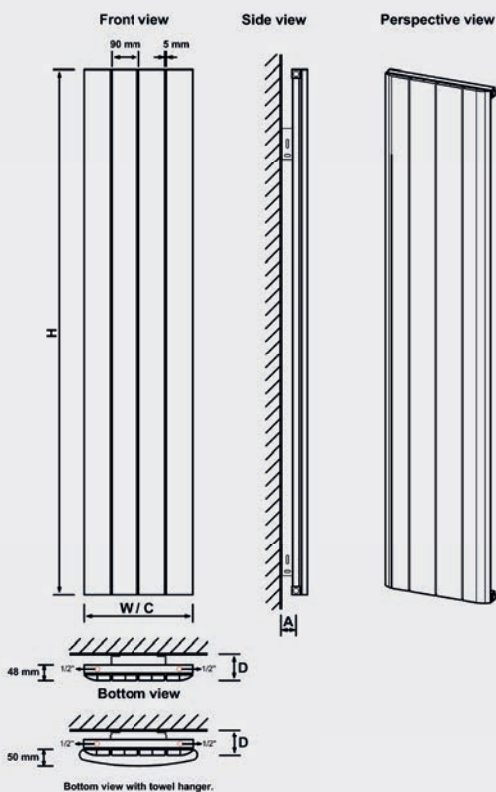
ROSANO - VERTICAL



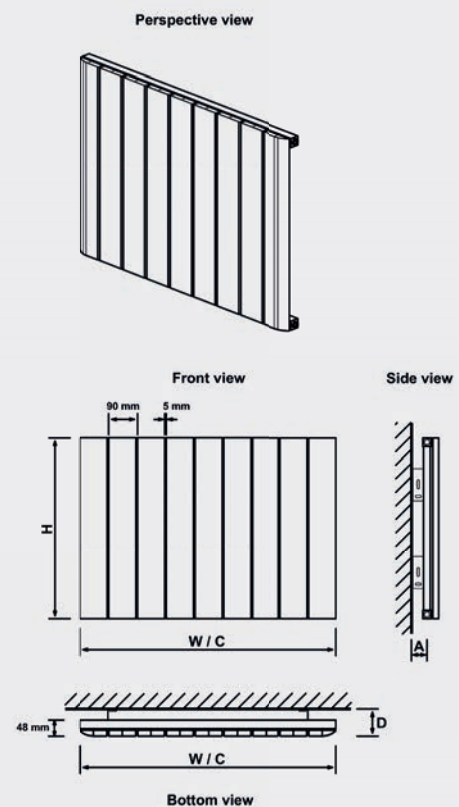
ROSANO - HORIZONTAL



PERETTI - VERTICAL



PERETTI - HORIZONTAL



Technical Tables & Drawings

SANDHURST - ALUMINIUM RANGE

Sandhurst - Vertical

Height H (mm)	Width W (mm)	Tappings C1 / C2** (mm)	Distance from wall - D (mm)	Tappings from wall - A (mm)	Tube Qty	Water Content L	Weight KG	Colour	▲ T60		Element Output	Element Type
									Watts	BTU		
1800	275	275/210	105	65	4	1.60	7.50	Coloured	901	3074	450W	A, A+
1800	415	415/350	105	65	6	2.40	11.20	Coloured	1351	4611	750W	A, A+
1800	485	485/420	105	65	7	2.80	13.10	Coloured	1577	5380	900W	A, A+

* Polished Aluminium heat outputs approx. 3% lower than the coloured models.

** Tappings C1 : Side connection, Tappings C2 : Bottom connection.

Sandhurst - Horizontal

Height H (mm)	Width W (mm)	Tappings C (mm)	Distance from wall - D (mm)	Tappings from wall - A (mm)	Tube Qty	Water Content L	Weight KG	Colour	▲ T60		Element Output	Element Type
									Watts	BTU		
600	485	485	105	65	7	1.12	12.40	Coloured	526	1793	300W	A, A+
600	625	625	105	65	9	1.44	15.90	Coloured	676	2306	300W	A, A+
600	835	835	105	65	12	1.91	21.20	Coloured	901	3074	450W	A, A+
600	1045	1045	105	65	15	2.39	26.50	Coloured	1126	3843	600W	A, A+
600	1255	1255	105	65	18	2.86	31.80	Coloured	1351	4611	750W	A, A+

BERKELEY - ALUMINIUM RANGE

Berkeley - Horizontal

Height H (mm)	Width W (mm)	Tappings C (mm)	Distance from wall - D (mm)	Tappings from wall - A (mm)	Tube Qty	Water Content L	Weight KG	Colour	▲ T60		Element Output	Element Type
									Watts	BTU		
603	600	600	70	50	6	1.30	5.70	Coloured	425	1451	N/A	N/A
603	800	800	70	50	6	1.70	5.80	Coloured	558	1904	N/A	N/A
603	1000	1000	70	50	6	2.00	6.33	Coloured	690	2355	N/A	N/A
603	1200	1200	70	50	6	2.40	7.22	Coloured	820	2798	N/A	N/A
603	1400	1400	70	50	6	2.80	8.80	Coloured	949	3238	N/A	N/A
603	1600	1600	70	50	6	3.10	9.60	Coloured	1077	3675	N/A	N/A
603	1800	1800	70	50	6	3.50	10.50	Coloured	1204	4109	N/A	N/A
603	2000	2000	70	50	6	3.80	11.30	Coloured	1330	4538	N/A	N/A

TORDINO - ALUMINIUM RANGE

Tordino - Vertical

Height H (mm)	Width W (mm)	Tappings C (mm)	Distance from wall - D (mm)	Tappings from wall - A (mm)	Tube Qty	Water Content L	Weight KG	Colour	▲ T60		Element Output	Element Type
									Watts	BTU		
1800	280	280	80/100	31/51	3	1.70	6.50	Coloured	864	2948	450W	A, A+, F, G
1800	375	375	80/100	31/51	4	2.30	8.60	Coloured	1149	3921	600W	A, A+, F, G
1800	470	470	80/100	31/51	5	2.90	10.40	Coloured	1432	4886	750W	A, A+, F, G
1800	565	565	80/100	31/51	6	3.50	12.50	Coloured	1713	5845	1000W	A, A+, F, G



Sandhurst
Vertical



Sandhurst
Horizontal



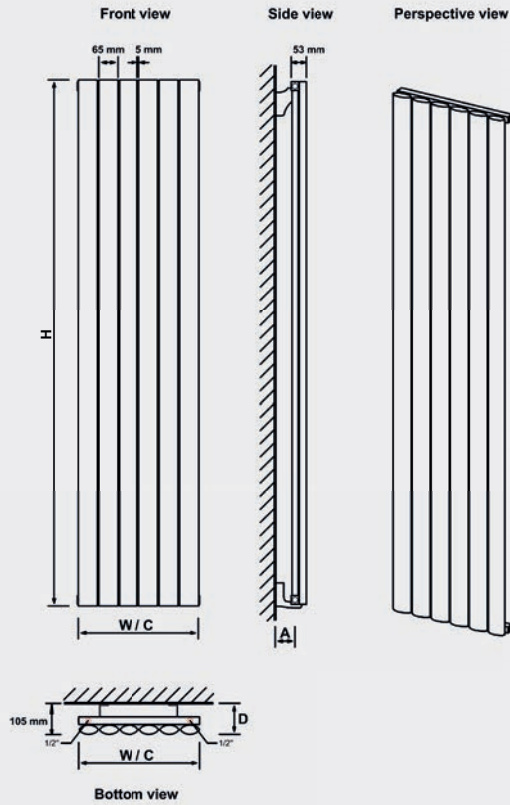
Berkeley
Horizontal



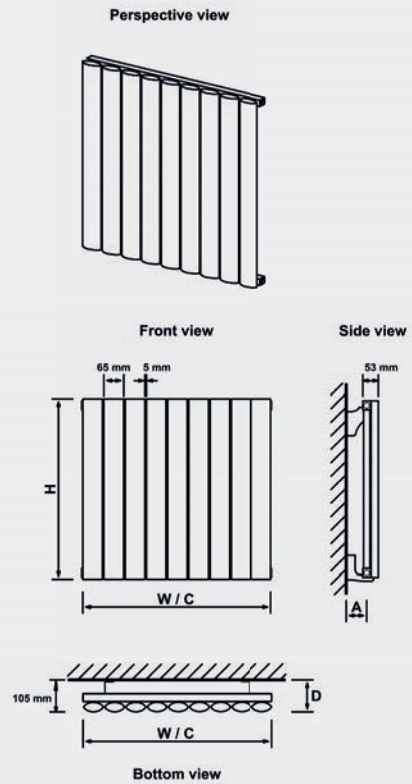
Tordino
Vertical

Technical Tables & Drawings

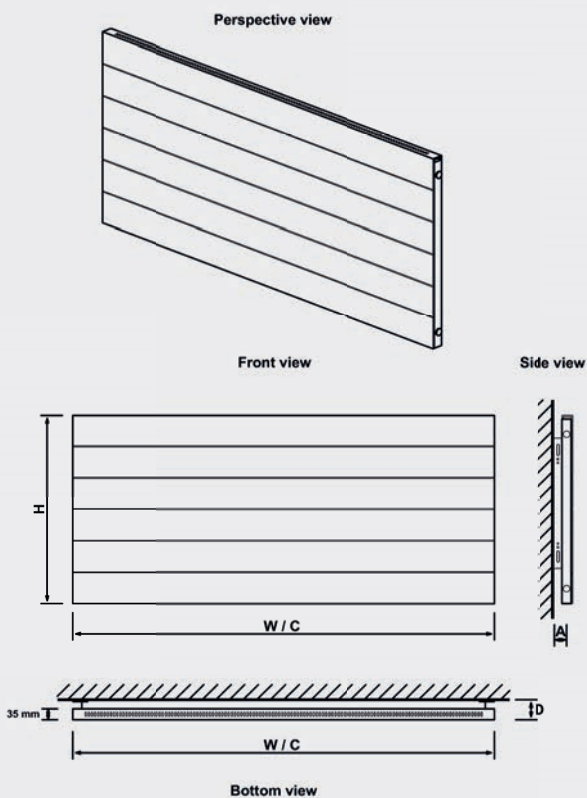
SANDHURST - VERTICAL



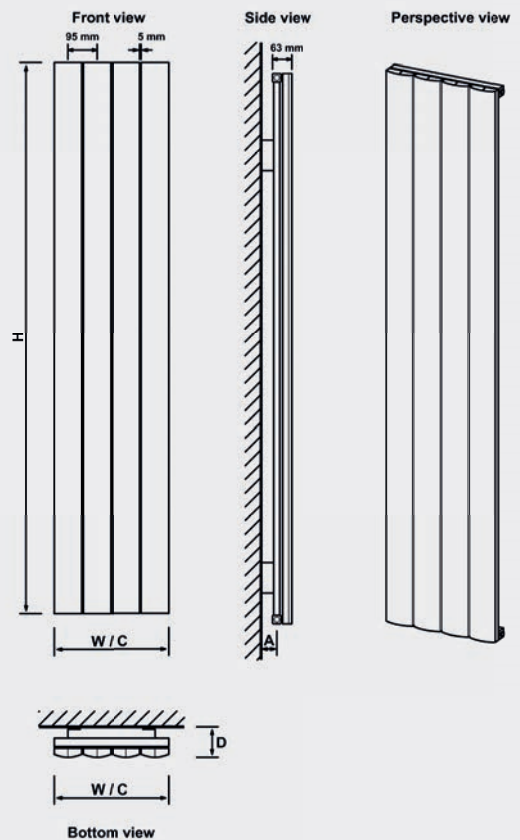
SANDHURST - HORIZONTAL



BERKELEY - HORIZONTAL



TORDINO - VERTICAL



Technical Tables & Drawings

TORDINO - ALUMINIUM RANGE

Tordino - Horizontal

Height H (mm)	Width W (mm)	Tappings C (mm)	Distance from wall - D (mm)	Tappings from wall - A (mm)	Tube Qty	Water Content L	Weight KG	Colour	▲T60		Element Output	Element Type
									Watts	BTU		
600	470	470	80/100	31/51	5	1.10	4.30	Coloured	520	1775	300W	A, A+, C, H
600	660	660	80/100	31/51	7	1.50	6.00	Coloured	724	2471	450W	A, A+, C, H
600	850	850	80/100	31/51	9	2.00	7.80	Coloured	927	3163	600W	A, A+, C, H
600	1040	1040	80/100	31/51	11	2.40	9.50	Coloured	1129	3853	750W	A, A+, C, H
600	1230	1230	80/100	31/51	13	2.80	11.20	Coloured	1329	4535	900W	A, A+, C, H

GUARDIA - ALUMINIUM RANGE

Guardia - Vertical

Height H (mm)	Width W (mm)	Tappings C (mm)	Distance from wall - D (mm)	Tappings from wall - A (mm)	Tube Qty	Water Content L	Weight KG	Colour	▲T60		Element Output	Element Type
									Watts	BTU		
1200	280	280	110	65	3	1.14	9.16	Coloured	960	3276	N/A	N/A
1200	375	375	110	65	4	1.52	12.12	Coloured	1280	4367	N/A	N/A
1200	470	470	110	65	5	1.90	15.05	Coloured	1600	5459	N/A	N/A
1200	565	565	110	65	6	2.27	18.24	Coloured	1920	6551	N/A	N/A
1800	280	280	110	65	3	1.75	14.2	Coloured	1368	4668	N/A	N/A
1800	375	375	110	65	4	2.33	18.7	Coloured	1824	6224	N/A	N/A
1800	470	470	110	65	5	2.91	23.1	Coloured	2280	7780	N/A	N/A
1800	565	565	110	65	6	3.50	27.80	Coloured	2736	9335	N/A	N/A

GUARDIA - ALUMINIUM RANGE

Guardia - Horizontal

Height H (mm)	Width W (mm)	Tappings C (mm)	Distance from wall - D (mm)	Tappings from wall - A (mm)	Tube Qty	Water Content L	Weight KG	Colour	▲T60		Element Output	Element Type
									Watts	BTU		
600	470	470	110	65	5	0.96	9.0	Coloured	800	2730	450W	A, A+, C, H
600	660	660	110	65	7	1.34	12.2	Coloured	1120	3822	600W	A, A+, C, H
600	850	850	110	65	9	1.73	15.6	Coloured	1440	4913	750W	A, A+, C, H
600	1040	1040	110	65	11	2.11	19.0	Coloured	1790	6005	1000W	A, A+, H
600	1230	1230	110	65	13	2.50	22.3	Coloured	2080	7097	1200W	A, A+
600	1420	1420	110	65	15	2.88	25.8	Coloured	2400	8190	1200W	A, A+

HADLEIGH - ALUMINIUM RANGE

Hadleigh - Vertical

Height H (mm)	Width W (mm)	Tappings C (mm)	Distance from wall - D (mm)	Tappings from wall - A (mm)	Tube Qty	Water Content L	Weight KG	Colour	▲T60		Element Output	Element Type
									Watts	BTU		
1200	275	275	98	65	4	1.52	9.56	Coloured	779	2658	N/A	N/A
1200	415	415	98	65	6	2.27	14.17	Coloured	1169	3987	N/A	N/A
1200	485	485	98	65	7	2.65	15.82	Coloured	1363	4652	N/A	N/A
1200	555	555	98	65	8	3.03	17.92	Coloured	1558	5316	N/A	N/A
1800	275	275	98	65	4	1.6	12.2	Coloured	1003	3422	N/A	N/A
1800	415	415	98	65	6	2.4	18.3	Coloured	1504	5132	N/A	N/A
1800	485	485	98	65	7	2.8	21.3	Coloured	1755	5988	N/A	N/A
1800	555	555	98	65	8	4.39	26.18	Coloured	2006	6843	N/A	N/A



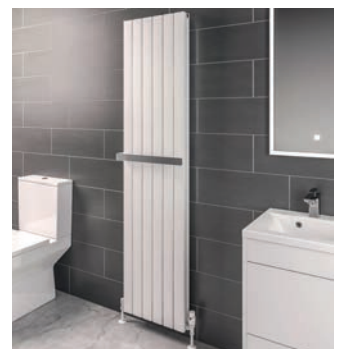
Tordino
Horizontal



Guardia
Vertical



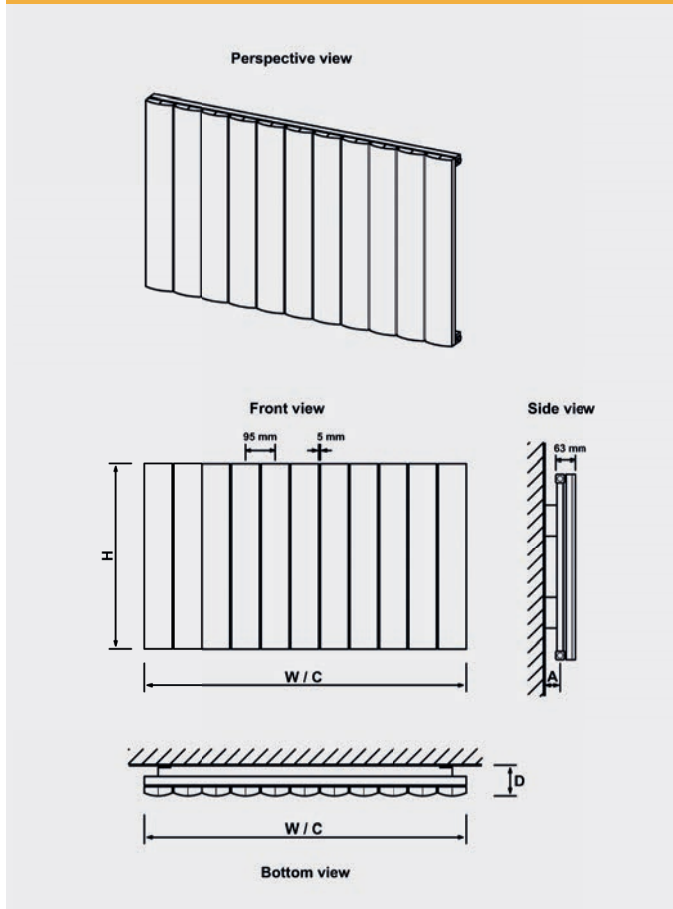
Guardia
Horizontal



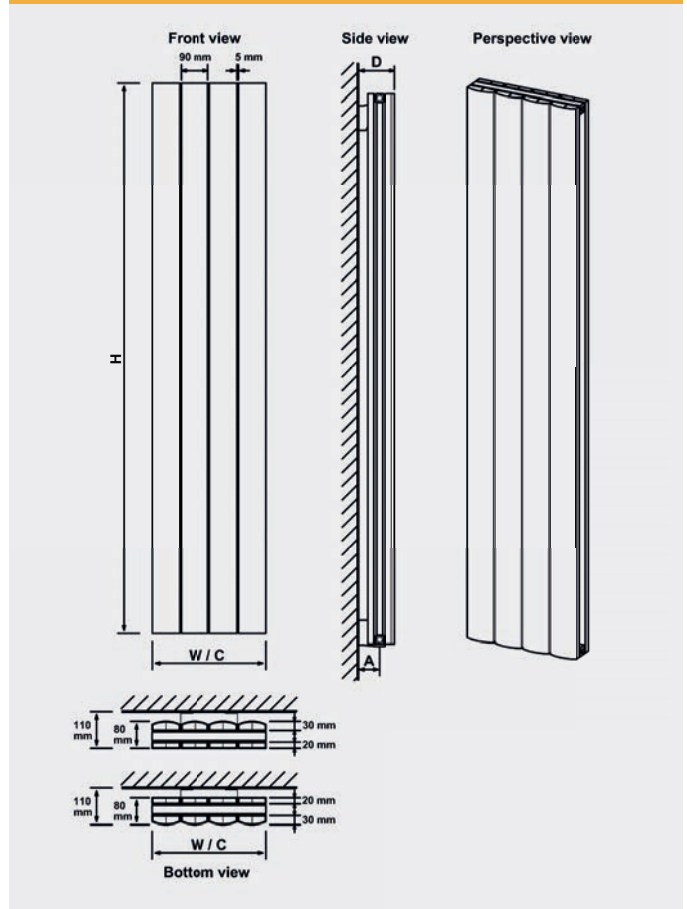
Hadleigh
Vertical

Technical Tables & Drawings

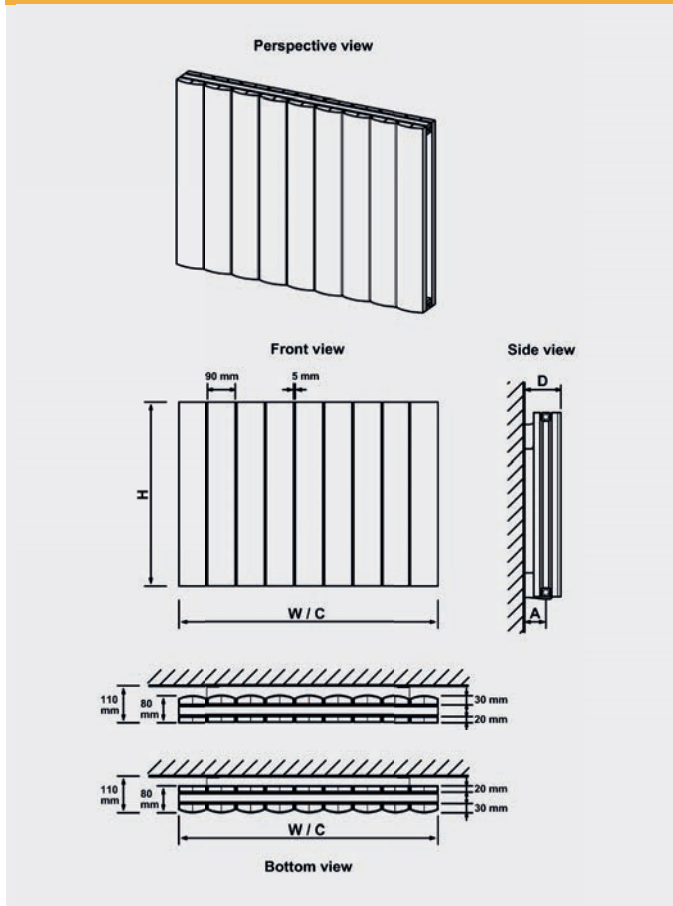
TORDINO - HORIZONTAL



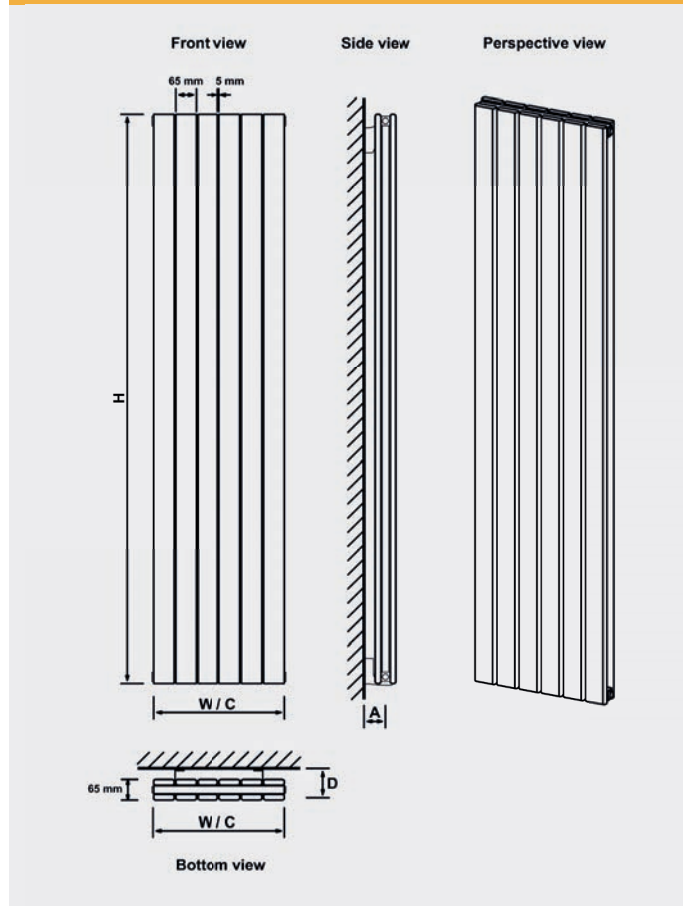
GUARDIA - VERTICAL



GUARDIA - HORIZONTAL



HADLEIGH - VERTICAL



Technical Tables & Drawings

HADLEIGH - ALUMINIUM RANGE

Hadleigh - Horizontal

Height H (mm)	Width W (mm)	Tappings C (mm)	Distance from wall - D (mm)	Tappings from wall - A (mm)	Tube Qty	Water Content L	Weight KG	Colour	▲T60		Element Output	Element Type
									Watts	BTU		
600	485	485	98	65	7	1.12	8.90	Coloured	821	2801	450W	A, A+, C, H
600	625	625	98	65	9	1.44	11.40	Coloured	1055	3601	600W	A, A+, C, H
600	835	835	98	65	12	1.91	15.20	Coloured	1407	4802	750W	A, A+, C, H
600	1045	1045	98	65	15	2.39	19.00	Coloured	1759	6002	1000W	A, A+, C, H
600	1255	1255	98	65	18	2.86	22.80	Coloured	2111	7202	1200W	A, A+, C, H
600	1395	1395	98	65	20	4.18	24.61	Coloured	2345	8003	1200W	A, A+, C, H

VESIMA - ALUMINIUM RANGE

Vesima - Vertical

Height H (mm)	Width W (mm)	Tappings C (mm)	Distance from wall - D (mm)	Tappings from wall - A (mm)	Tube Qty	Water Content L	Weight KG	Colour	▲T60		Element Output	Element Type
									Watts	BTU		
1800	303	303	85/105	60/80	3	1.75	10.90	Coloured	1068	3644	600W	A
1800	403	403	85/105	60/80	4	2.34	14.20	Coloured	1424	4859	900W	A
1800	503	503	85/105	60/80	5	2.92	17.60	Coloured	1780	6074	900W	A
1800	603	603	85/105	60/80	6	3.30	20.99	Coloured	2134	7282	900W	A

Vesima - Horizontal

Height H (mm)	Width W (mm)	Tappings C (mm)	Distance from wall - D (mm)	Tappings from wall - A (mm)	Tube Qty	Water Content L	Weight KG	Colour	▲T60		Element Output	Element Type
									Watts	BTU		
600	503	503	85/105	60/80	5	0.97	7.10	Coloured	660	2252	300W	A, C, H
600	603	603	85/105	60/80	6	1.16	8.40	Coloured	792	2702	300W	A, C, H
600	803	803	85/105	60/80	8	1.55	10.90	Coloured	1056	3603	600W	A, C, H
600	1003	1003	85/105	60/80	10	1.94	13.50	Coloured	1320	4504	600W	A, C, H
600	1203	1203	85/105	60/80	12	2.33	16.10	Coloured	1584	5405	900W	A, C, H
600	1403	1403	85/105	60/80	14	2.93	18.54	Coloured	1844	6293	900W	A, C, H

PRESTON - ALUMINIUM RANGE

Preston - Vertical

Height H (mm)	Width W (mm)	Tappings C (mm)	Distance from wall - D (mm)	Tappings from wall - A (mm)	Tube Qty	Water Content L	Weight KG	Colour	▲T60		Element Output	Element Type
									Watts	BTU		
1200	185	185	71-91	33-53	2	1.20	5.80	Coloured	374	1277	150W	A, A+, F, G
1800	185	185	71-91	33-53	2	1.20	5.60	Coloured	540	1843	300W	A, A+, F, G

BERLINI - ALUMINIUM RANGE

Berlini - Vertical

Height H (mm)	Width W (mm)	Tappings C (mm)	Distance from wall - D (mm)	Tappings from wall - A (mm)	Tube Qty	Water Content L	Weight KG	Colour	▲T60		Element Output	Element Type
									Watts	BTU		
1200	185	185	70/90	35/55	2	0.78	5.60	Coloured	421	1438	150W	A, A+
1800	185	185	70/90	35/55	2	1.16	6.60	Coloured	632	2156	300W	A, A+

*Polished Aluminium heat outputs approx 3% lower than the coloured models.



Hadleigh
Horizontal



Vesima
Vertical



Vesima
Horizontal



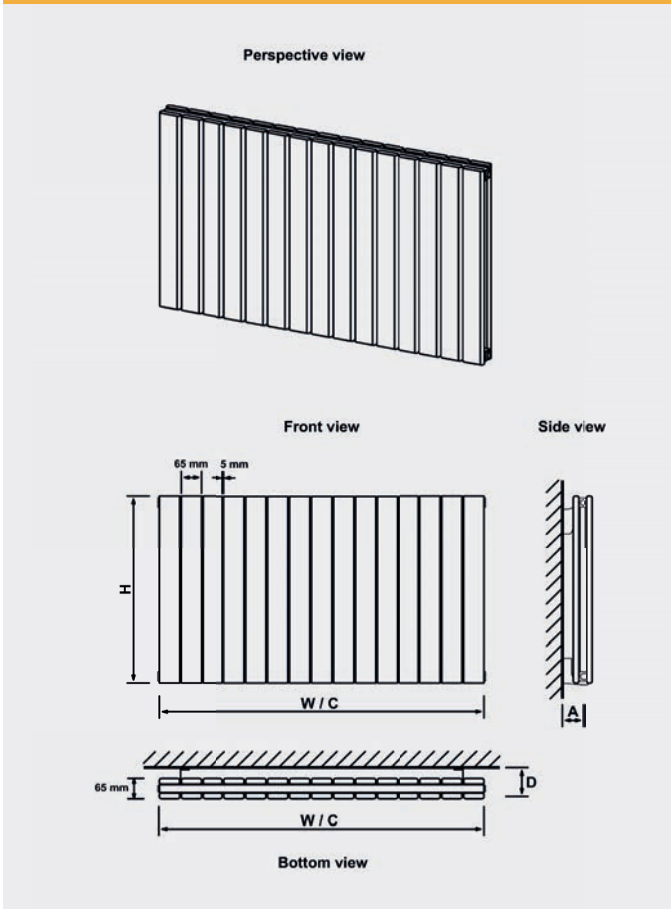
Preston
Vertical



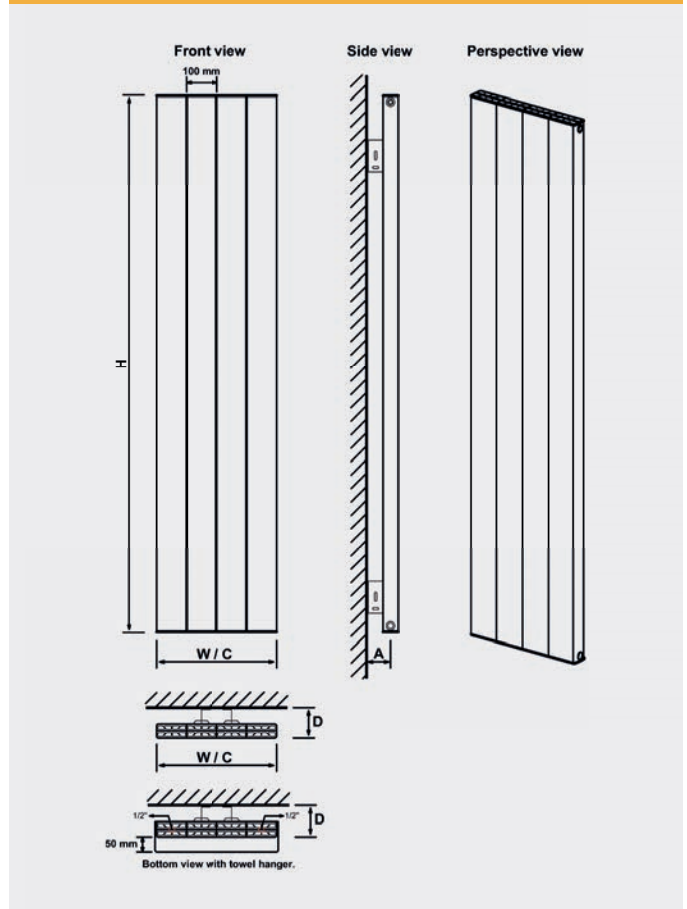
Berlini
Vertical

Technical Tables & Drawings

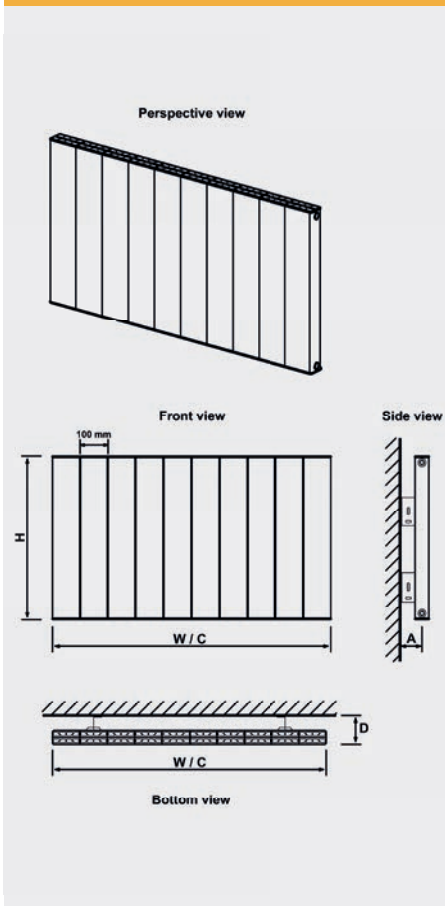
HADLEIGH - HORIZONTAL



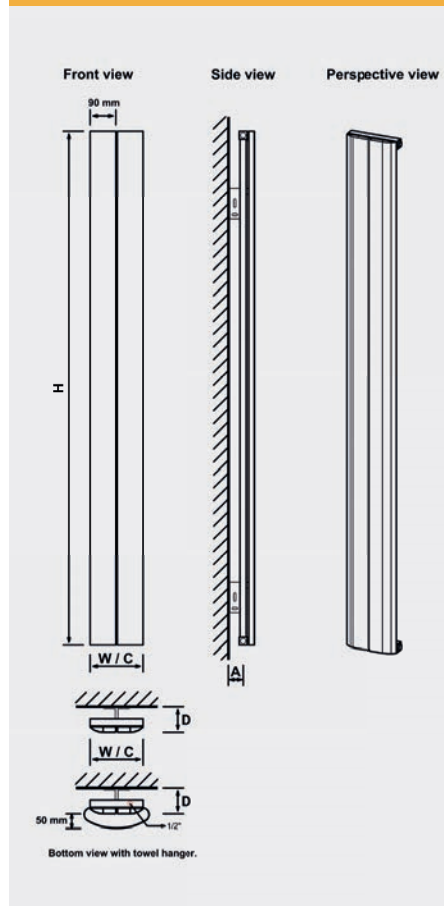
VESIMA - VERTICAL



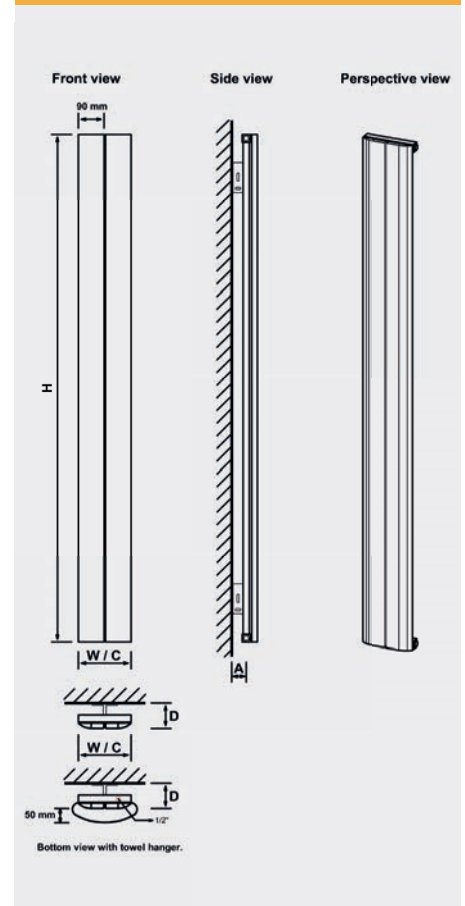
VESIMA - HORIZONTAL



PRESTON - VERTICAL



BERLINI - VERTICAL



Technical Tables & Drawings

FAIRFORD - ALUMINIUM RANGE

Fairford - Vertical

Height H (mm)	Width W (mm)	Tappings C (mm)	Distance from wall - D (mm)	Tappings from wall - A (mm)	Tube Qty	Water Content L	Weight KG	Colour	▲T60		Element Output	Element Type
									Watts	BTU		
1200	375	375	79/99	33/53	4	1.60	7.20	Coloured	760	2594	450W	A, A+, F, G
1200	565	565	79/99	33/53	6	2.40	11.00	Coloured	1144	3904	750W	A, A+, F, G
1800	375	375	79/99	33/53	4	2.33	9.90	Coloured	1140	3890	750W	A, A+, F, G
1800	565	565	79/99	33/53	6	3.50	13.80	Coloured	1716	5855	1000W	A, A+, F, G

Fairford - Horizontal

Height H (mm)	Width W (mm)	Tappings C (mm)	Distance from wall - D (mm)	Tappings from wall - A (mm)	Tube Qty	Water Content L	Weight KG	Colour	▲T60		Element Output	Element Type
									Watts	BTU		
600	375	375	79/99	33/53	4	0.87	4.50	Coloured	392	1338	300W	A, A+
600	565	565	79/99	33/53	6	1.30	6.70	Coloured	591	2017	300W	A, A+, C, H
600	945	945	79/99	33/53	10	2.18	10.10	Coloured	987	3368	600W	A, A+, C, H
600	1325	1325	79/99	33/53	14	3.06	13.90	Coloured	1382	4716	900W	A, A+, C, H

BURFORD - ALUMINIUM RANGE

Burford - Vertical

Height H (mm)	Width W (mm)	Tappings C (mm)	Distance from wall - D (mm)	Tappings from wall - A (mm)	Tube Qty	Water Content L	Weight KG	Colour	▲T60		Element Output	Element Type
									Watts	BTU		
1800	275	275	108/128	33/53	4	2.28	10.4	Coloured	972	3317	600W	A, A+, F, G
1800	345	345	108/128	33/53	5	2.85	12.9	Coloured	1209	4126	750W	A, A+, F, G
1800	415	415	108/128	33/53	6	3.42	15.3	Coloured	1443	4924	900W	A, A+, F, G
1800	485	485	108/128	33/53	7	3.99	17.7	Coloured	1676	5719	1000W	A, A+, F, G

Burford - Horizontal

Height H (mm)	Width W (mm)	Tappings C (mm)	Distance from wall - D (mm)	Tappings from wall - A (mm)	Tube Qty	Water Content L	Weight KG	Colour	▲T60		Element Output	Element Type
									Watts	BTU		
600	485	485	108/128	33/53	7	1.43	7.3	Coloured	606	2068	300W	A, A+, C, H
600	625	625	108/128	33/53	9	1.84	9.2	Coloured	772	2635	450W	A, A+, C, H
600	835	835	108/128	33/53	12	2.45	12.0	Coloured	1020	3481	600W	A, A+, C, H
600	1045	1045	108/128	33/53	15	3.07	14.8	Coloured	1265	4317	750W	A, A+, C, H
600	1185	1185	108/128	33/53	17	3.47	16.7	Coloured	1427	4869	900W	A, A+, C, H

KELMSCOTT - ALUMINIUM RANGE

Kelmscott - Vertical

Height H (mm)	Width W (mm)	Tappings C (mm)	Distance from wall - D (mm)	Tappings from wall - A (mm)	Tube Qty	Water Content L	Weight KG	Colour	▲T60		Element Output	Element Type
									Watts	BTU		
1800	275	275	83/103	33/53	4	2.28	8.2	Coloured	957	3266	600W	A, A+, F, G
1800	345	345	83/103	33/53	5	2.85	10.1	Coloured	1195	4078	750W	A, A+, F, G
1800	415	415	83/103	33/53	6	3.42	12.0	Coloured	1431	4883	900W	A, A+, F, G
1800	485	485	83/103	33/53	7	3.99	13.8	Coloured	1666	5685	1000W	A, A+, F, G



Fairford
Vertical



Fairford
Horizontal



Burford
Vertical



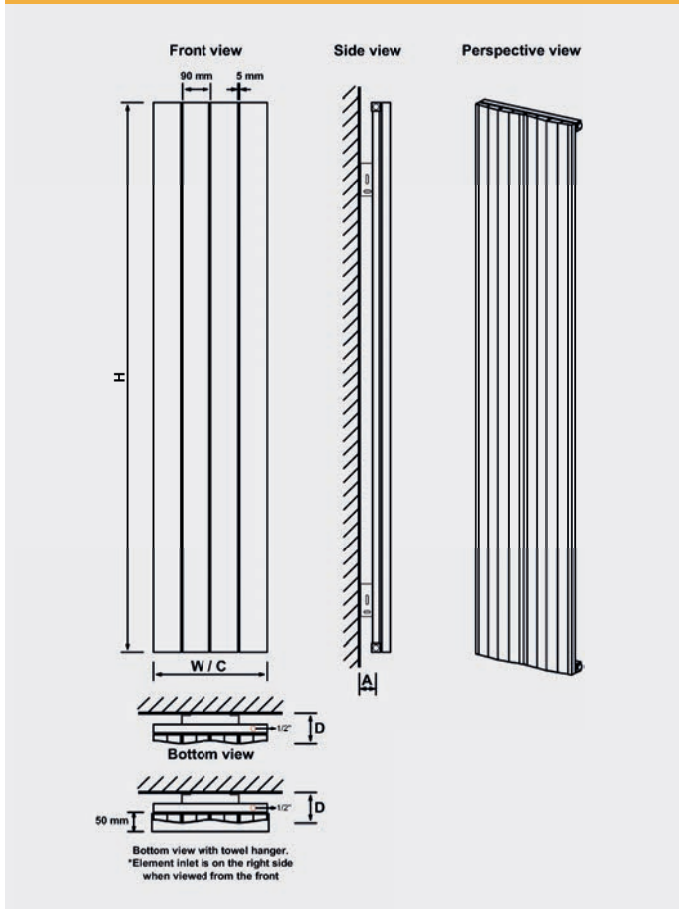
Burford
Horizontal



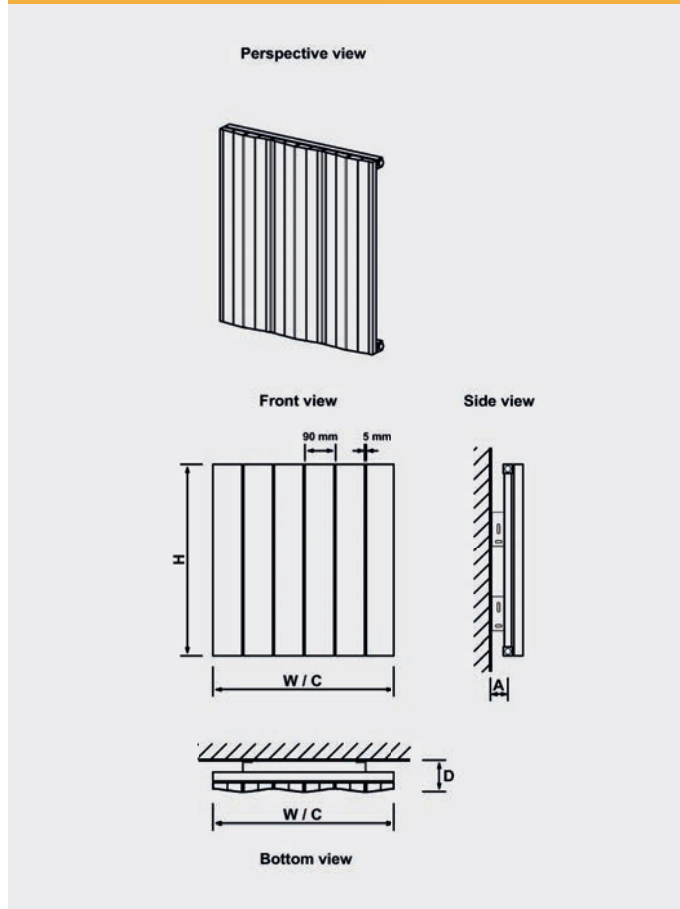
Kelmscott
Vertical

Technical Tables & Drawings

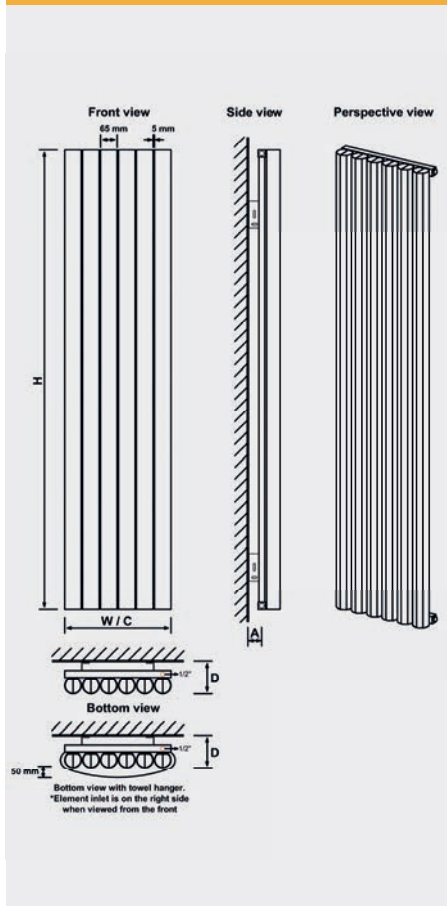
FAIRFORD - VERTICAL



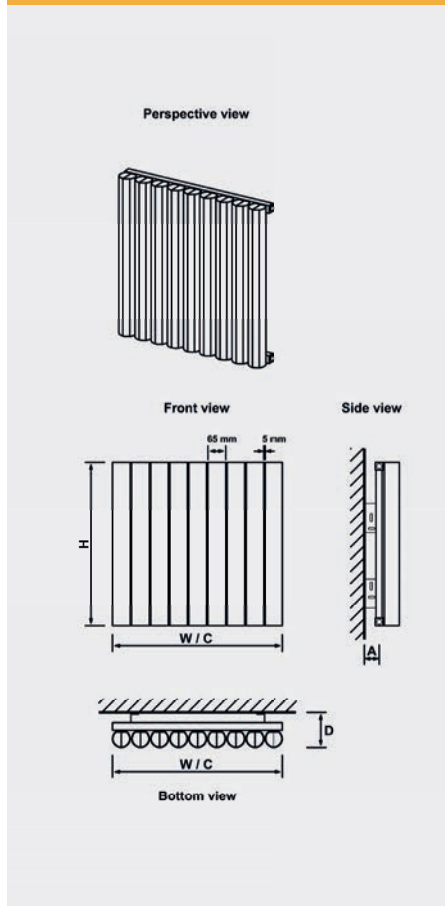
FAIRFORD - HORIZONTAL



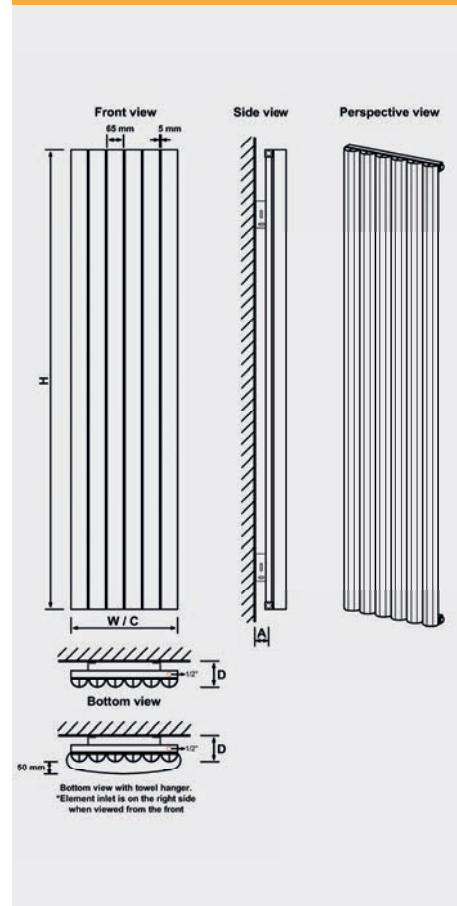
BURFORD - VERTICAL



BURFORD - HORIZONTAL



KELMSCOTT - VERTICAL



Technical Tables & Drawings

KELMSCOTT - ALUMINIUM RANGE

Kelmscott - Horizontal

Height H (mm)	Width W (mm)	Tappings C (mm)	Distance from wall - D (mm)	Tappings from wall - A (mm)	Tube Qty	Water Content L	Weight KG	Colour	▲T60		Element Output	Element Type
									Watts	BTU		
600	485	485	83/103	33/53	7	1.43	6.0	Coloured	603	2058	300W	A, A+, C, H
600	625	625	83/103	33/53	9	1.84	7.5	Coloured	773	2638	450W	A, A+, C, H
600	835	835	83/103	33/53	12	2.45	9.8	Coloured	1025	3498	600W	A, A+, C, H
600	1045	1045	83/103	33/53	15	3.07	12.0	Coloured	1277	4358	750W	A, A+, C, H
600	1185	1185	83/103	33/53	17	3.47	13.5	Coloured	1444	4927	900W	A, A+, C, H

WITNEY - ALUMINIUM RANGE

Witney - Vertical

Height H (mm)	Width W (mm)	Tappings C (mm)	Distance from wall - D (mm)	Tappings from wall - A (mm)	Tube Qty	Water Content L	Weight KG	Colour	▲T60		Element Output	Element Type
									Watts	BTU		
1800	280	280	136	53	6	3.34	14.4	Coloured	1252	4272	750W	A, A+, F, G
1800	375	375	136	53	8	4.46	18.9	Coloured	1648	5623	1000W	A, A+, F, G
1800	470	470	136	53	10	5.57	23.4	Coloured	2039	6958	1200W	A, A+, F, G

Witney - Horizontal

Height H (mm)	Width W (mm)	Tappings C (mm)	Distance from wall - D (mm)	Tappings from wall - A (mm)	Tube Qty	Water Content L	Weight KG	Colour	▲T60		Element Output	Element Type
									Watts	BTU		
600	470	470	136	53	10	1.90	7.5	Coloured	823	2809	300W	A, A+, C, H
600	660	660	136	53	14	2.70	10.5	Coloured	1132	3863	600W	A, A+, C, H
600	850	850	136	53	18	3.50	13.5	Coloured	1437	4904	900W	A, A+, C, H
600	1040	1040	136	53	22	4.20	16.6	Coloured	1737	5927	1000W	A, A+, C, H
600	1230	1230	136	53	26	5.00	19.6	Coloured	2034	6941	1200W	A, A+, C, H

WINDRUSH - TRADITIONAL RANGE

Windrush

Height H (mm)	Width W (mm)	Tappings C (mm)	Distance from wall - D (mm)	Tappings from wall - A (mm)	Tube Qty	Water Content L	Weight KG	Colour	▲T60		Element Output	Element Type
									Watts	BTU		
950	500	356	142	105	-	2.10	5.70	Chrome	147	502	100W	A, A+
950	600	470	142	105	-	2.27	6.40	Chrome	163	556	100W	A, A+
1195	500	370	130	105	-	2.70	7.40	Chrome	236	805	150W	A, A+, E
1195	600	470	130	105	-	3.00	7.80	Chrome	258	880	150W	A, A+, E
1550	500	370	130	105	-	3.50	8.70	Chrome	290	989	150W	A, A+, E
1550	600	470	130	105	-	3.80	9.25	Chrome	322	1099	150W	A, A+, E

STOUR - TRADITIONAL RANGE

Stour

Height H (mm)	Width W (mm)	Tappings C (mm)	Distance from wall - D (mm)	Tappings from wall - A (mm)	Tube Qty	Water Content L	Weight KG	Colour	▲T60		Element Output	Element Type	Colour	▲T60		Element Output	Element Type
									Watts	BTU				Watts	BTU		
690	500	426	125	53	-	1.30	5.50	Coloured	221	753	100W	A, A+, E	Chrome / Brushed Brass	125	428	N/A	N/A
690	600	526	125	53	-	2.10	5.60	Coloured	240	820	100W	A, A+, E	Chrome / Brushed Brass	177	604	100W	A, A+, E
1195	500	426	130	53	-	3.30	8.10	Coloured	287	979	100W	A, A+, E	Chrome / Brushed Brass	209	714	100W	A, A+, E
1195	600	526	130	53	-	3.70	8.47	Coloured	386	1318	150W	A, A+, E	Chrome / Brushed Brass	232	791	150W	A, A+, E
1550	500	426	130	53	-	3.80	9.40	Coloured	366	1248	150W	A, A+, E	Chrome / Brushed Brass	260	888	150W	A, A+, E
1550	600	526	130	53	-	4.10	9.86	Coloured	398	1359	150W	A, A+, E	Chrome / Brushed Brass	287	980	150W	A, A+, E



Kelmscott
Horizontal



Witney
Vertical



Witney
Horizontal



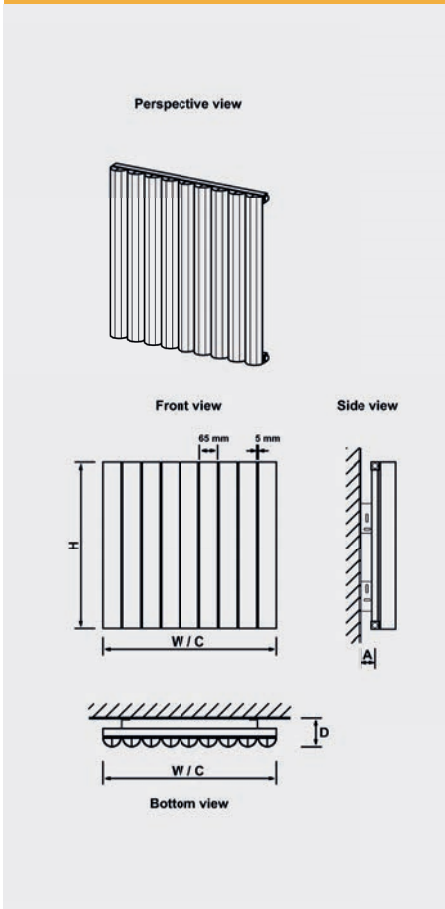
Windrush



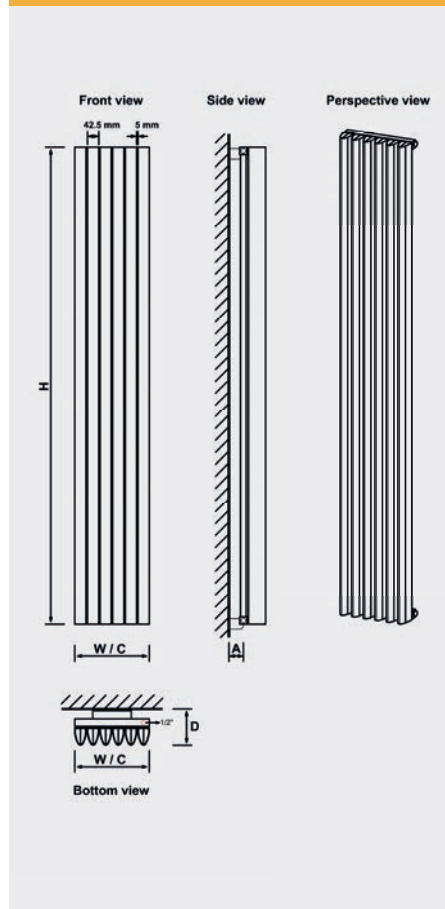
Stour

Technical Tables & Drawings

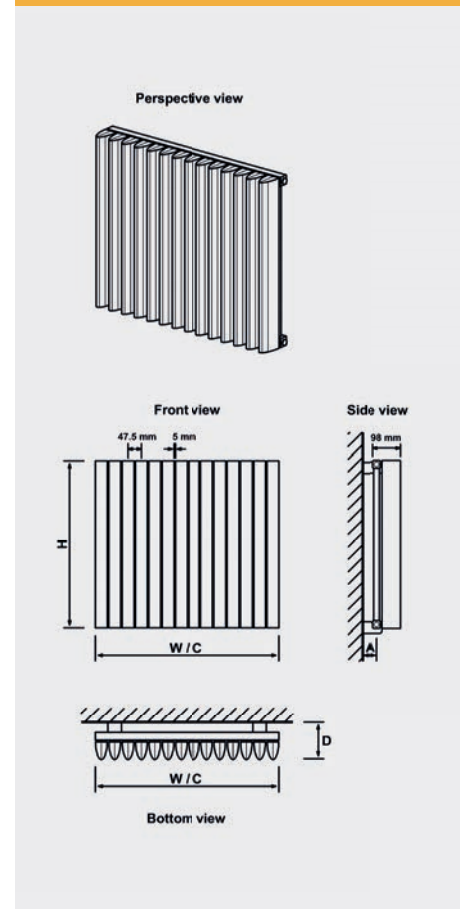
KELMSCOTT - HORIZONTAL



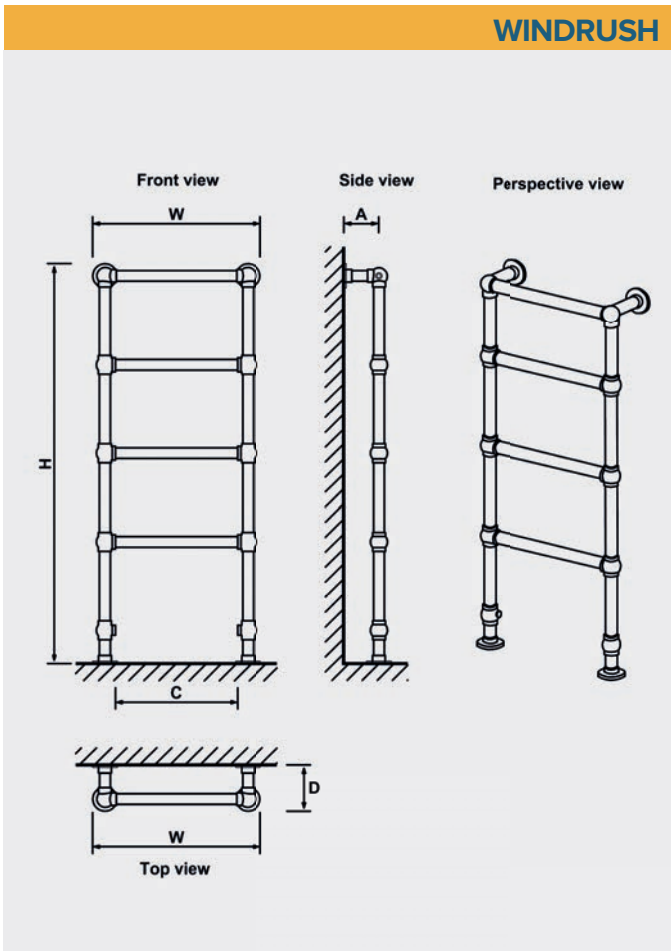
WITNEY - VERTICAL



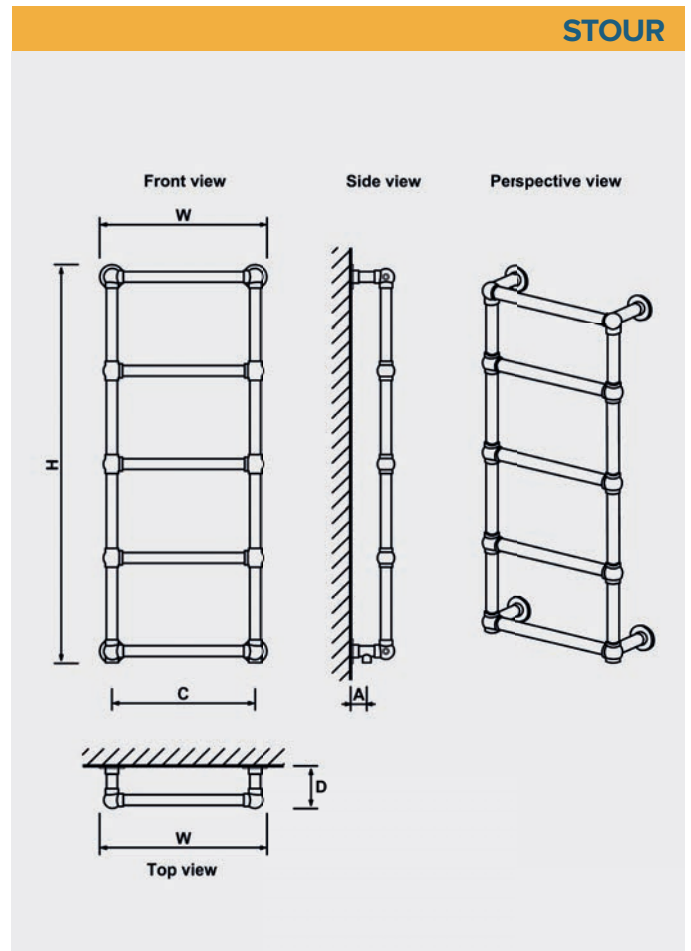
WITNEY - HORIZONTAL



WINDRUSH



STOUR



Technical Tables & Drawings

PAINSWICK - TRADITIONAL RANGE

Painswick													
Height H (mm)	Width W (mm)	Tappings C (mm)	Depth - D (mm)	Tappings from floor- A (mm)	Tube Qty	Water Content L	Weight KG	Colour	▲T60		Element Output	Element Type	
									Watts	BTU			
778	686	556	254	100	-	3.51	11.50	Chrome	356	1215	N/A	N/A	

FROME - TRADITIONAL RANGE

Frome													
Height H (mm)	Width W (mm)	Tappings C (mm)	Distance from Wall - D (mm)	Tappings from wall- A (mm)	Tube Qty	Water Content L	Weight KG	Colour	▲T60		Element Output	Element Type	
									Watts	BTU			
940	474	344	130	105	-	4.90	7.45	Chrome	314	1071	150W	A, A+, C, E, H	

SHERBOURNE - TRADITIONAL RANGE

Sherbourne													
Height H (mm)	Width W (mm)	Tappings C (mm)	Distance from Wall - D (mm)	Tappings from wall- A (mm)	Tube Qty	Water Content L	Weight KG	Colour	▲T60		Element Output	Element Type	
									Watts	BTU			
940	600	470	142	105	-	3.50	7.24	Chrome	226	771	150W	A, A+, C, E, H	

AVON - TRADITIONAL RANGE

Avon													
Height H (mm)	Width W (mm)	Tappings C (mm)	Distance from Wall - D (mm)	Tappings from wall - A (mm)	Tube Qty	Water Content L	Weight KG	Colour	▲T60		Element Output	Element Type	
									Watts	BTU			
960	429	300	160	135	-	4.30	15.5	Chrome	450	1535	150W	A, A+, C, E, H	
960	500	370	172	135	-	5.50	15.7	Chrome	530	1808	300W	A, A+, C, E, H	

ISBOURNE - TRADITIONAL RANGE

Isbourne													
Height H (mm)	Width W (mm)	Tappings C (mm)	Distance from Wall - D (mm)	Tappings from wall - A (mm)	Tube Qty	Water Content L	Weight KG	Colour	▲T60		Element Output	Element Type	
									Watts	BTU			
940	600	470	260	121	-	6.62	16.70	Chrome	894	3050	450W	A, A+, C, H	



Painswick



Frome



Sherbourne



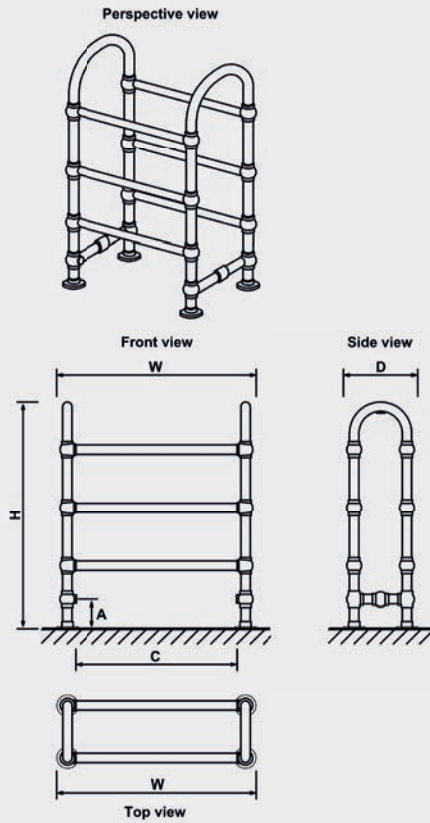
Isbourne



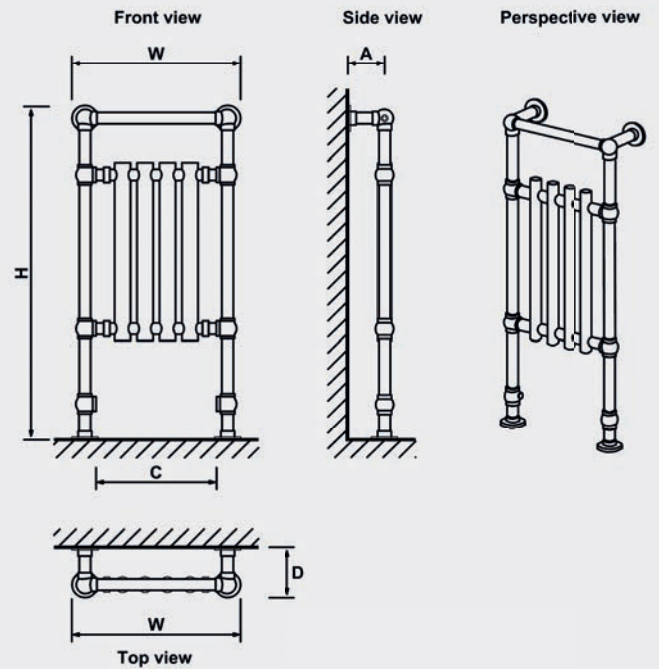
Avon

Technical Tables & Drawings

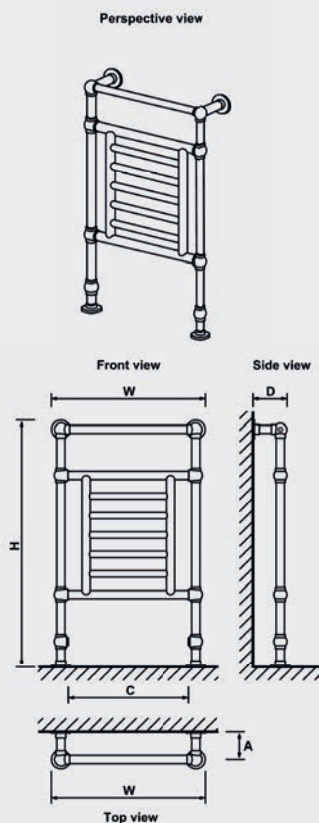
PAINSWICK



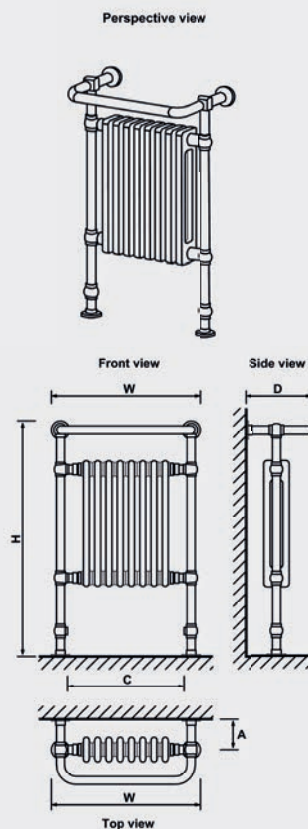
FROME



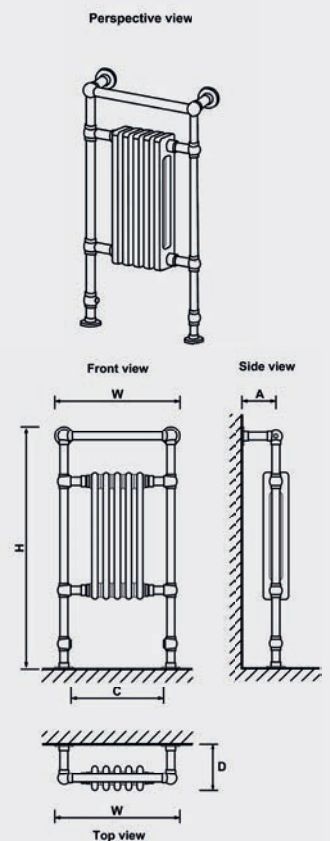
SHERBOURNE



ISBOURNE



AVON



Technical Tables & Drawings

IMPERIA 2 COLUMN - TRADITIONAL RANGE

Imperia 2 Column - Vertical / Horizontal

Height H (mm)	Width W (mm)	Tappings C (mm)	Distance from Wall - D (mm)	Tappings from wall - A (mm)	Tube Qty	Water Content L	Weight KG	Colour	△T60		Element Output	Element Type
									Watts	BTU		
300	1145	1145	93	60	25	10.53	15.98	Coloured	875	2985	450W	A, A+, C, E*, H
300	1370	1370	93	60	30	12.60	19.00	Coloured	1048	3573	450W	A, A+, C, E*, H
600	425	425	93	60	9	5.74	11.57	Coloured	576	1965	300W	A, A+, C, H
600	470	470	93	60	10	6.38	12.72	Coloured	639	2180	300W	A, A+, C, H
600	515	515	93	60	11	7.01	13.93	Coloured	704	2402	300W	A, A+, C, H
600	560	560	93	60	12	7.65	15.09	Coloured	767	2617	300W	A, A+, C, H
600	605	605	93	60	13	7.60	15.05	Bare Metal/ Coloured	826	2818	450W	A, A+, C, H
600	830	830	93	60	18	10.60	20.49	Bare Metal/ Coloured	1143	3900	600W	A, A+, C, E*, H
600	1010	1010	93	60	22	14.03	26.68	Coloured	1407	4800	750W	A, A+, C, H
600	1145	1145	93	60	25	14.90	28.10	Bare Metal/ Coloured	1588	5418	900W	A, A+, H
600	1460	1460	93	60	32	20.41	38.30	Coloured	2046	6980	1000W	A+
1800	290	290	93	60	6	9.03	22.27	Coloured	1078	3678	N/A	N/A
1800	380	380	93	60	8	11.60	26.31	Bare Metal/ Coloured	1190	4059	N/A	N/A
1800	470	470	93	60	10	14.60	32.66	Bare Metal/ Coloured	1487	5074	N/A	N/A

* 600W Type E Element can be fitted

IMPERIA 3 COLUMN - TRADITIONAL RANGE

Imperia 3 Column - Vertical / Horizontal

Height H (mm)	Width W (mm)	Tappings C (mm)	Distance from Wall - D (mm)	Tappings from wall - A (mm)	Tube Qty	Water Content L	Weight KG	Colour	△T60		Element Output	Element Type
									Watts	BTU		
300	1145	1145	110	60	25	11.88	26.24	Coloured	1278	4360	600W	A, A+, C, E*, H
300	1370	1370	110	60	30	14.21	50.77	Coloured	1436	4896	750W	A, A+, C, E*, H
600	425	425	110	60	9	7.20	16.31	Coloured	850	2900	450W	A, A+
600	470	470	110	60	10	8.00	17.99	Coloured	945	3224	450W	A, A+, C, H
600	515	515	110	60	11	8.80	19.71	Coloured	1040	3548	450W	A, A+, C, H
600	560	560	110	60	12	9.60	21.39	Coloured	1134	3869	600W	A+, C, H
600	605	605	110	60	13	11.00	21.63	Bare Metal/ Coloured	1081	3688	600W	A, A+, C, H
600	830	830	110	60	18	15.30	29.55	Bare Metal/ Coloured	1498	5110	900W	A+, C, H
600	1010	1010	110	60	22	17.60	38.15	Coloured	2079	7093	1000W	A, A+, C, H
600	1145	1145	110	60	25	21.30	40.64	Bare Metal/ Coloured	2362	8059	1200W	A, A+, H
600	1460	1460	110	60	32	25.61	54.94	Coloured	3024	10317	1200W	A+, H
1800	290	290	110	60	6	12.60	32.06	Coloured	1608	5486	N/A	N/A
1800	380	380	110	60	8	17.40	38.77	Bare Metal/ Coloured	2099	7094	N/A	N/A
1800	470	470	110	60	10	21.90	48.20	Bare Metal/ Coloured	2623	8950	N/A	N/A

* 600W Type E Element can be fitted



Imperia 2 Column
Vertical



Imperia 2 Column
Horizontal



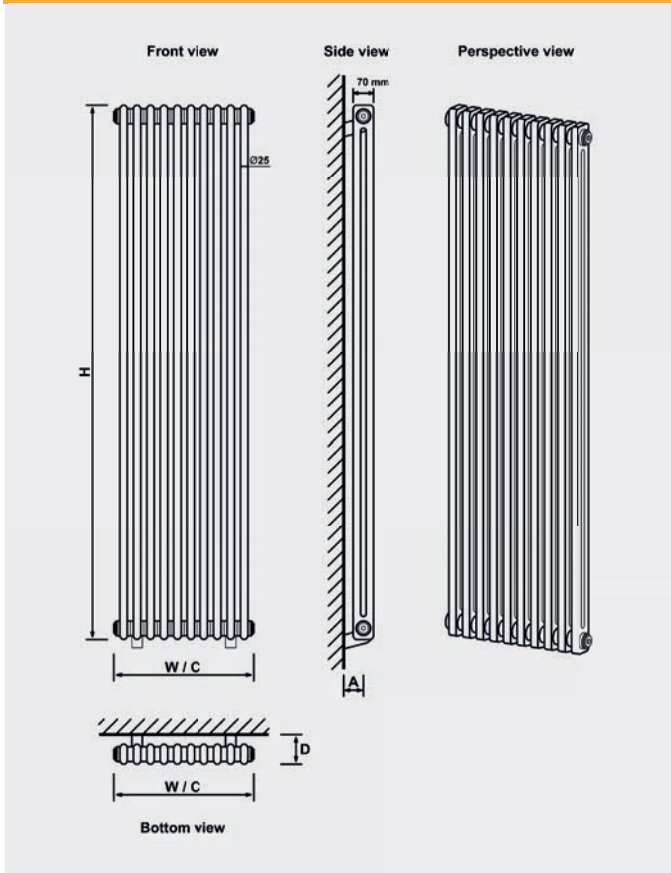
Imperia 3 Column
Vertical



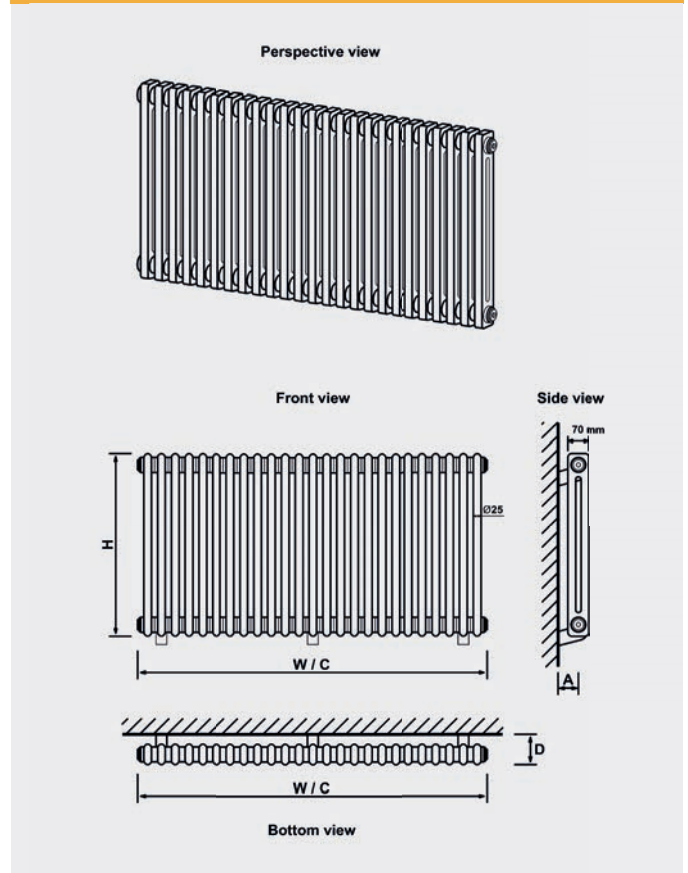
Imperia 3 Column
Horizontal

Technical Tables & Drawings

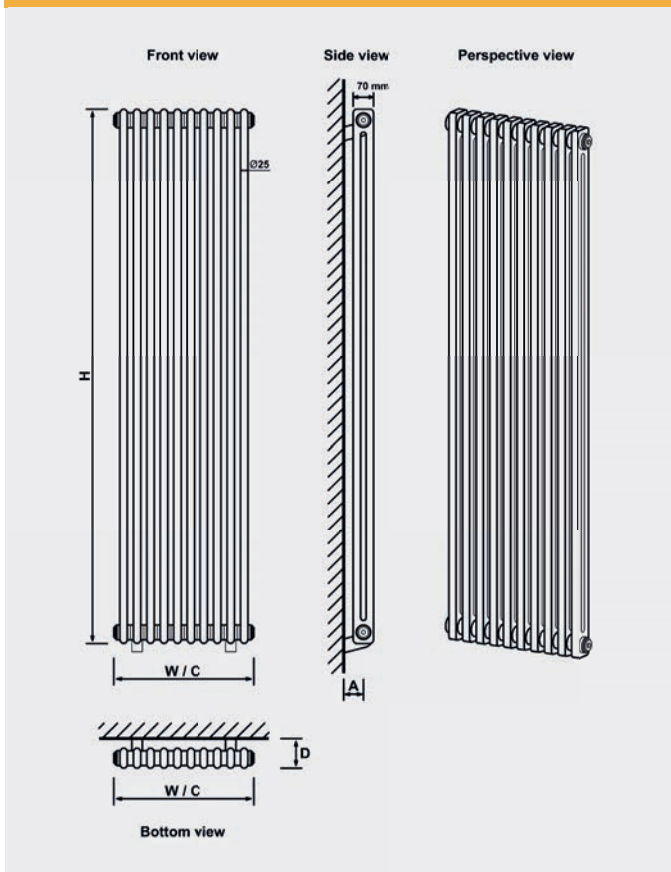
IMPERIA 2 COLUMN VERTICAL



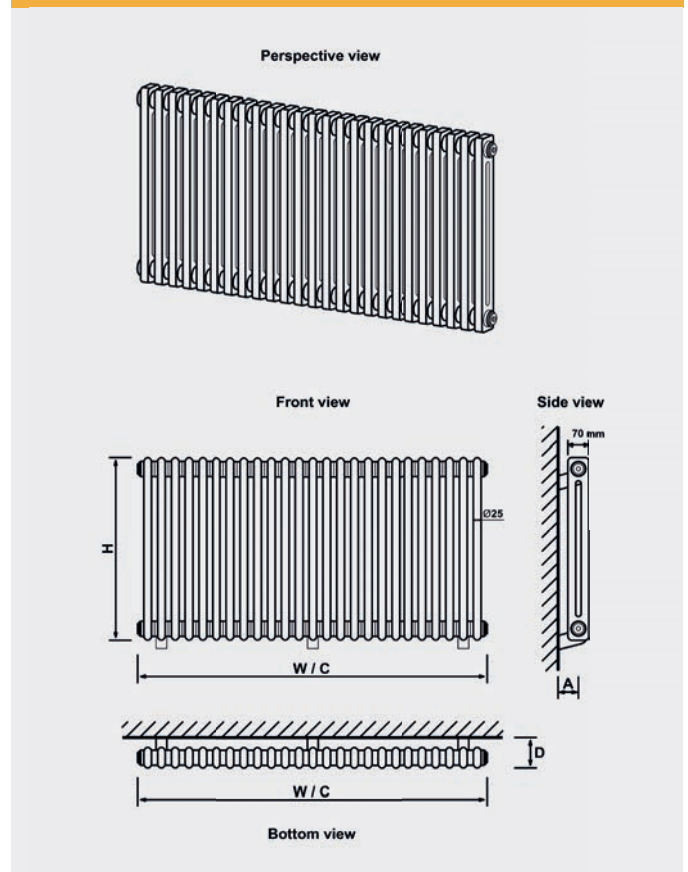
IMPERIA 2 COLUMN HORIZONTAL



IMPERIA 3 COLUMN VERTICAL



IMPERIA 3 COLUMN HORIZONTAL



Technical Tables & Drawings

RIVASSA - TRADITIONAL RANGE

Rivassa 2 Column - Vertical / Horizontal												
Height H (mm)	Width W (mm)	Tappings C (mm)	Distance from Wall - D (mm)	Tappings from wall - A (mm)	Tube Qty	Water Content L	Weight KG	Colour	ΔT60		Element Output	Element Type
									Watts	BTU		
300	1148	1148	100	66	25	9.25	17.5	Coloured	889	3034	450W	A, A+, C, E*, H
300	1373	1373	100	66	30	11.10	20.8	Coloured	1067	3641	600W	A, A+, C, E*, H
600	428	428	100	66	9	5.40	10.5	Coloured	567	1933	300W	A, A+, C, H
600	473	473	100	66	10	6.00	11.7	Coloured	630	2148	300W	A, A+, C, H
600	518	518	100	66	11	6.60	12.8	Coloured	693	2362	300W	A, A+, C, H
600	563	563	100	66	12	7.20	14.0	Coloured	756	2577	450W	A, A+, C, H
600	608	608	100	66	13	7.80	18.2	Coloured	818	2792	450W	A, A+, C, H
600	833	833	100	66	18	10.80	23.9	Coloured	1133	3866	600W	A, A+, C, E*, H
600	1010	1010	100	66	22	13.20	28.50	Coloured	1385	4727	750W	A, A+, C, H
600	1148	1148	100	66	25	15.10	31.8	Coloured	1573	5369	900W	A, A+, H
600	1460	1460	100	66	32	19.20	39.70	Coloured	2014	6874	1200W	A, A+, H
1800	293	293	100	66	6	8.90	22.9	Coloured	933	3185	N/A	N/A
1800	383	383	100	66	8	11.80	29.7	Coloured	1245	4247	N/A	N/A
1800	473	473	100	66	10	14.80	36.9	Coloured	1556	5308	N/A	N/A

*600w Type E Element can be fitted

Rivassa 3 Column - Vertical / Horizontal												
Height H (mm)	Width W (mm)	Tappings C (mm)	Distance from Wall - D (mm)	Tappings from wall - A (mm)	Tube Qty	Water Content L	Weight KG	Colour	ΔT60		Element Output	Element Type
									Watts	BTU		
300	1148	1148	130	80	25	14.10	25.2	Coloured	1118	3816	600W	A, A+, C, E*, H
300	1373	1373	130	80	30	16.80	30.2	Coloured	1342	4579	750W	A, A+, C, E*, H
600	428	428	130	80	9	7.70	15.2	Coloured	734	2504	450W	A, A+, C, H
600	473	473	130	80	10	8.60	16.8	Coloured	816	2782	450W	A, A+, C, H
600	518	518	130	80	11	9.50	18.5	Coloured	898	3061	450W	A, A+, C, H
600	563	563	130	80	12	10.30	20.1	Coloured	979	3339	600W	A, A+, C, H
600	608	608	130	80	13	11.20	24.4	Coloured	1060	3616	600W	A, A+, C, H
600	833	833	130	80	18	15.50	32.8	Coloured	1467	5007	900W	A, A+, C, H
600	1010	1010	130	80	22	18.90	40.30	Coloured	1794	6123	1000W	A, A+, C, H
600	1148	1148	130	80	25	21.50	45.6	Coloured	2038	6954	1200W	A, A+, H
600	1460	1460	130	80	32	27.50	58.10	Coloured	2609	8904	1200W	A, A+, H
1800	293	293	130	80	6	13.20	33.0	Coloured	1563	5333	N/A	N/A
1800	383	383	130	80	8	17.60	43.6	Coloured	2084	7111	N/A	N/A
1800	473	473	130	80	10	22.10	53.9	Coloured	2605	8889	N/A	N/A

*600w Type E Element can be fitted



Rivassa 2 Column Vertical



Rivassa 2 Column Horizontal



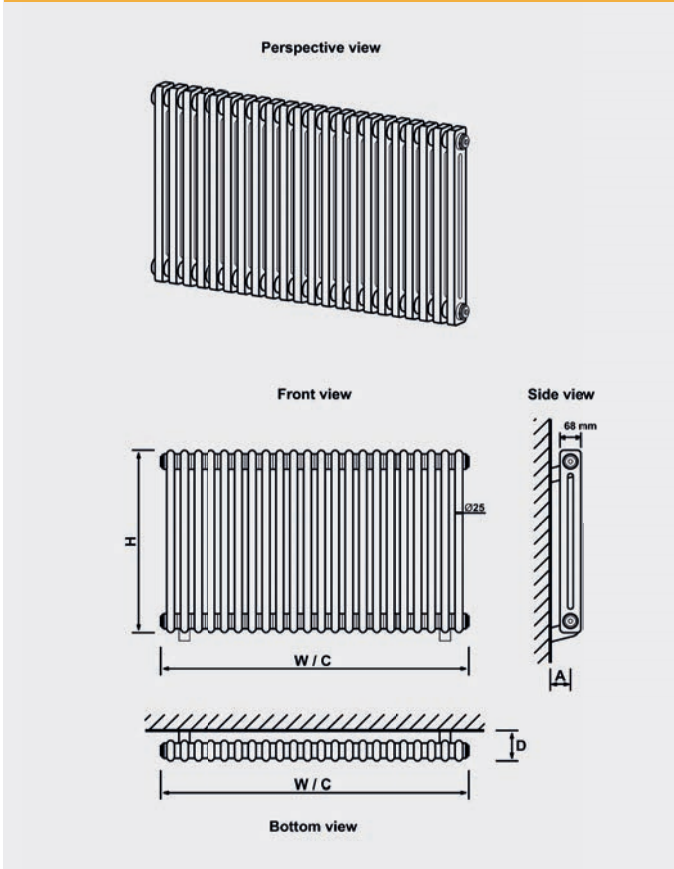
Rivassa 3 Column Horizontal



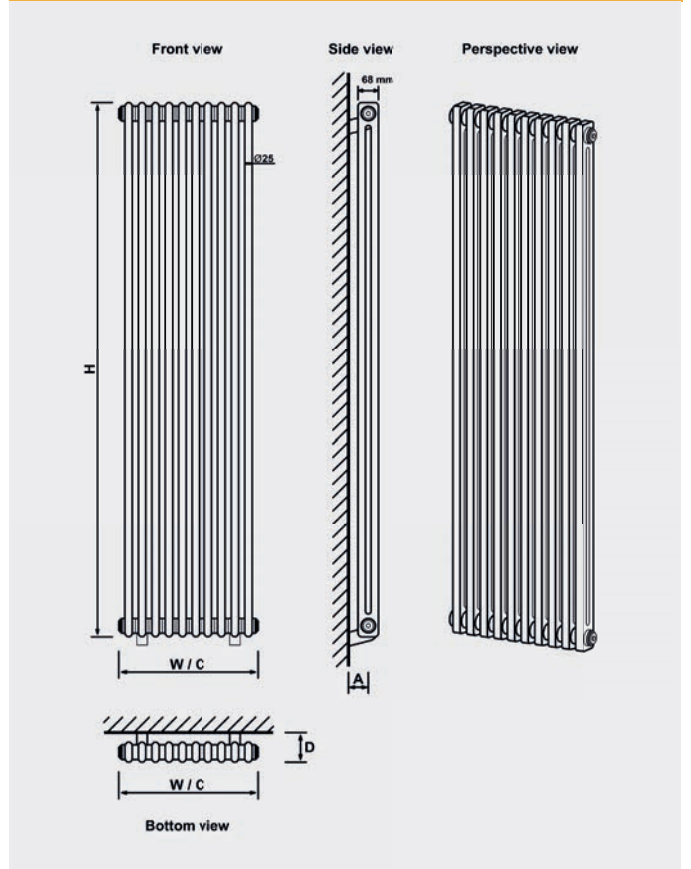
Rivassa 3 Column Vertical

Technical Tables & Drawings

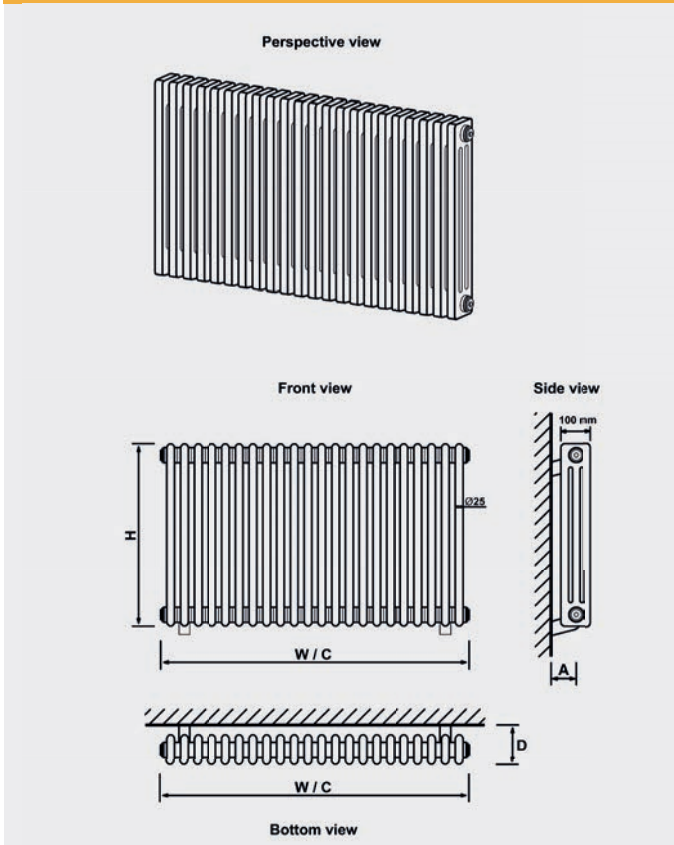
RIVASSA 2 COLUMN HORIZONTAL



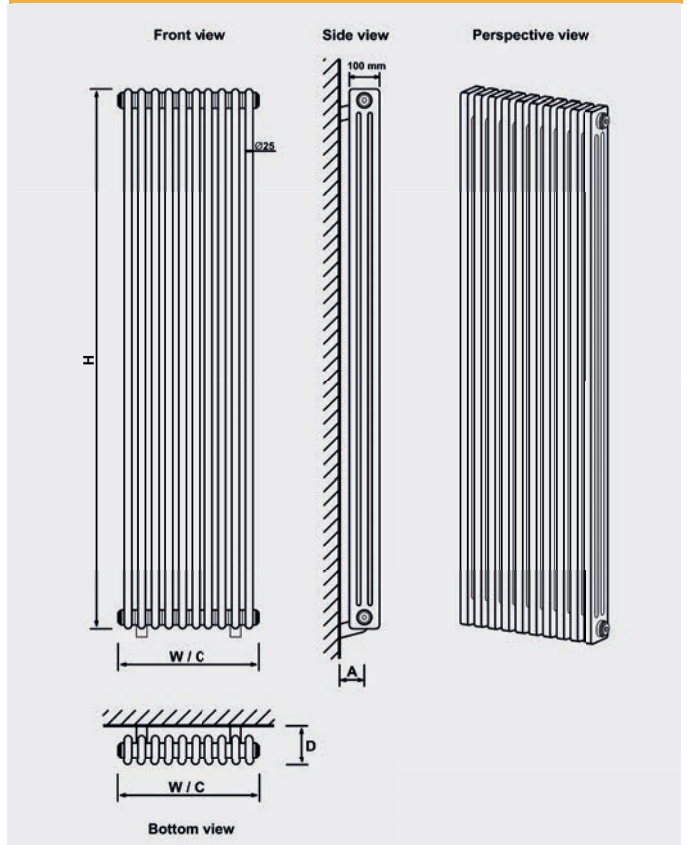
RIVASSA 2 COLUMN VERTICAL



RIVASSA 3 COLUMN HORIZONTAL



RIVASSA 3 COLUMN VERTICAL



Technical Tables & Drawings

RIVASSA - TRADITIONAL RANGE

Rivassa 4 Column - Horizontal

Height H (mm)	Width W (mm)	Tappings C (mm)	Distance from Wall - D (mm)	Tappings from wall - A (mm)	Tube Qty	Water Content L	Weight KG	Colour	▲T60		Element Output	Element Type
									Watts	BTU		
300	1010	1010	165	95	22	16.20	30.60	Coloured	1197	4085	600W	A, A+, C, E*, H
300	1373	1373	165	95	30	22.20	42.65	Coloured	1633	5573	1000W	A, A+, H
300	1505	1505	165	95	33	24.40	46.10	Coloured	1796	6110	1000W	A+, H
600	425	425	165	95	9	10.80	24.20	Coloured	869	2966	450W	A, A+
600	605	605	165	95	13	15.60	34.20	Coloured	1255	4283	750W	A+, C, H
600	785	785	165	95	17	20.40	43.50	Coloured	1641	5601	900W	A+, H
600	1010	1010	165	95	22	26.40	55.50	Coloured	2124	7249	1200W	A, A+
600	1190	1190	165	95	26	31.20	66.30	Coloured	2510	8567	1200W	A, A+

*600w Type E Element can be fitted

LEADON - TRADITIONAL RANGE

Leadon

Height H (mm)	Width W (mm)	Tappings C (mm)	Distance from Wall - D (mm)	Tappings from wall - A (mm)	Tube Qty	Water Content L	Weight KG	Colour	▲T60		Element Output	Element Type
									Watts	BTU		
940	700	570	260	137	-	9.00	20.20	Chrome	897	3061	450W	A, A+, C, H

THAMES - TRADITIONAL RANGE

Thames

Height H (mm)	Width W (mm)	Tappings C (mm)	Distance from Wall - D (mm)	Tappings from wall - A (mm)	Tube Qty	Water Content L	Weight KG	Colour	▲T60		Element Output	Element Type
									Watts	BTU		
1444	630	500	187	150	-	8.70	21.30	Chrome	945	3224	450W	A, A+, C, H

COLN - TRADITIONAL RANGE

Coln

Height H (mm)	Width W (mm)	Tappings C (mm)	Distance from Wall - D (mm)	Tappings from wall - A (mm)	Tube Qty	Water Content L	Weight KG	Colour	▲T60		Element Output	Element Type
									Watts	BTU		
510	680	676	260	50	-	5.82	16.30	Chrome	704	2402	300W	A, A+, C, H

*On dual fuel installation, please use only Type A or Type A+ element

TWYVER - TRADITIONAL RANGE

Twyver

Height H (mm)	Width W (mm)	Tappings C (mm)	Distance from Wall - D (mm)	Tappings from wall - A (mm)	Tube Qty	Water Content L	Weight KG	Colour	▲T60		Element Output	Element Type
									Watts	BTU		
952	684	547	158	108	-	3.30	14.60	Chrome	580	1979	N/A	N/A



Rivassa 4 Column
Horizontal



Leadon



Thames



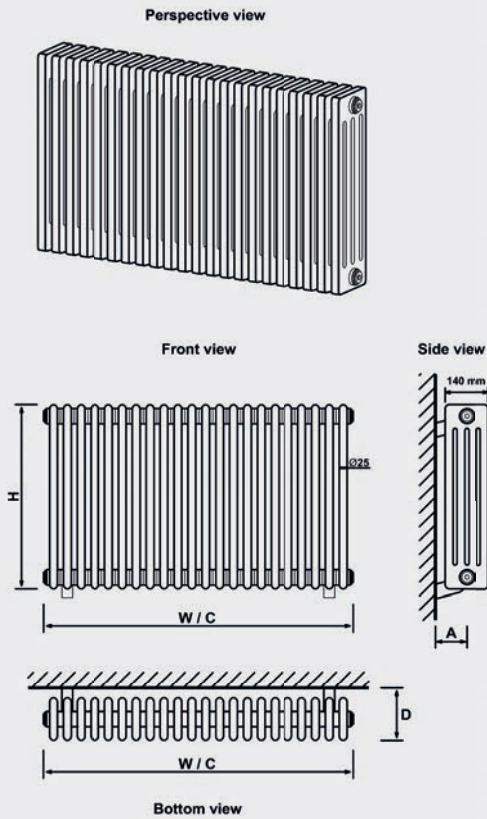
Coln



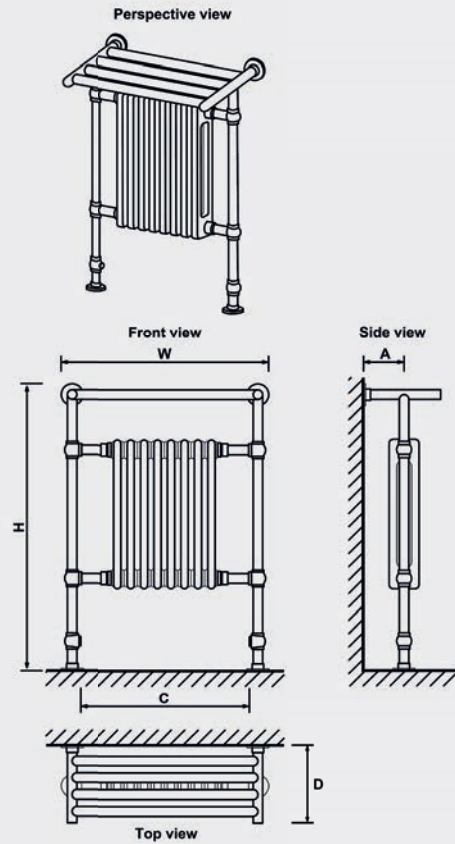
Twyver

Technical Tables & Drawings

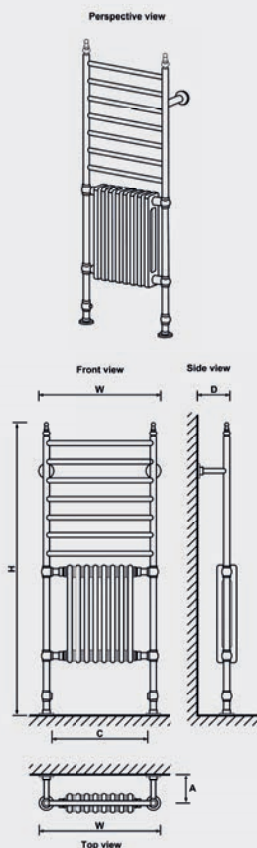
RIVASSA 4 COLUMN HORIZONTAL



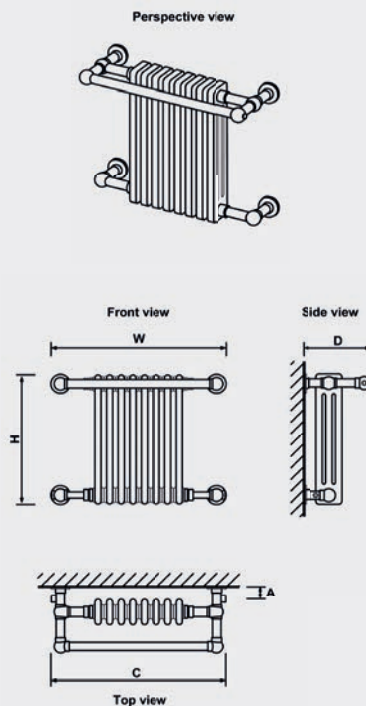
LEADON



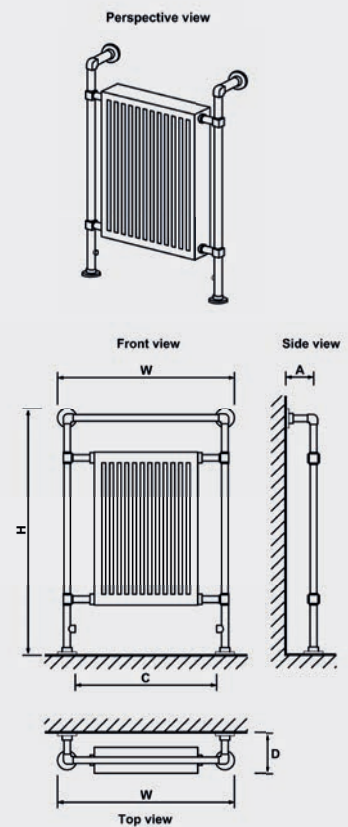
THAMES



COLN



TWYVER





Showering

Whether you are looking for the elegance of traditional designs or the more modern up-to-date concepts, the functionality of this range adds reliability and ease of use to any bathroom.

Contents

Shower bundles	810 - 815
Traditional and modern shower valves	816 - 828
Bar valves	829 - 830
Shower shelves	830
Shower poles	831 - 833
Riser kits	834 - 836
Shower panels	837 - 839
Rail kits and Accessories	840
Riser kits	841
Shower handset	842 - 844
Hoses	844
Wall and Ceiling Mounted Showers	845
Shower arms	846 - 847
Shower heads	848 - 850
Body jets and Shower seat	851
Accessories	852 - 853



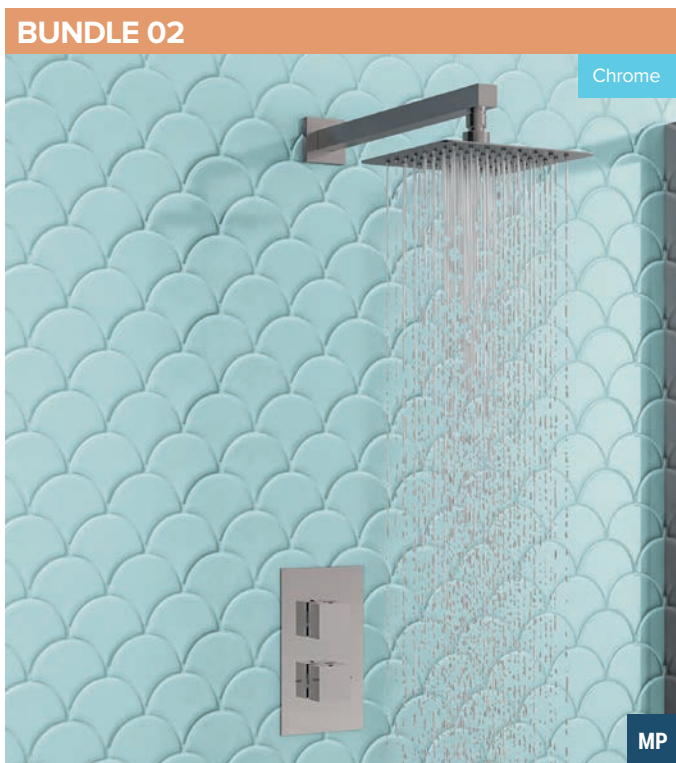
Shower Bundles

Bundles

Choosing your new showering kit has never been so easy. Browse our bundle selections rather than selecting items individually.

Suitable for large shower enclosures and smaller showerbath solutions, it's just a case selecting your colour and perfect showering needs.

LP2 - 0.2 bar minimum
 MP - 0.5 bar minimum
 HP1 - 1 bar minimum



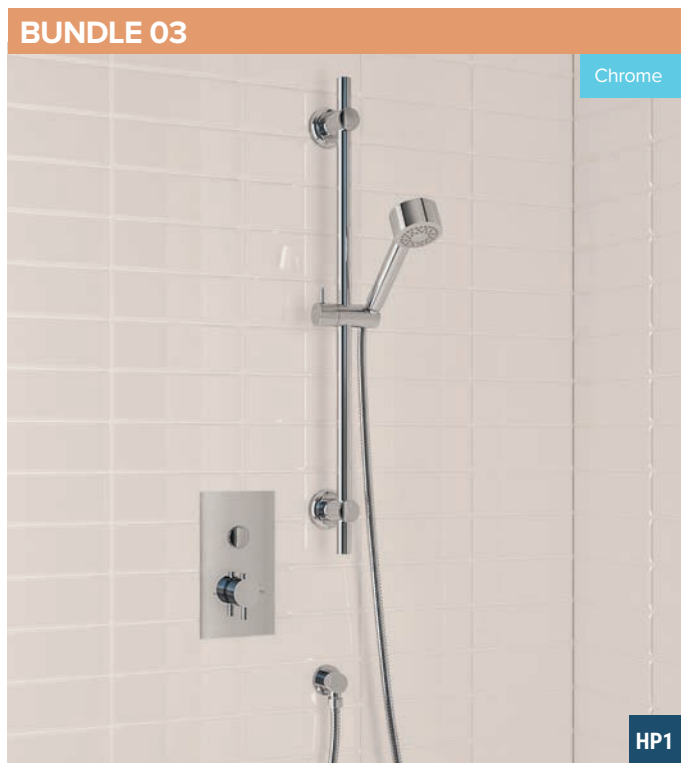
Bundle 2			
Description	Code	£ Ex VAT	£ Inc VAT
Concealed valve, square shower head & square shower arm.	BND002	554.00	664.80

- Bundle Components**
- 68.0001 x1
 - 68.0023 x1
 - 68.0046 x2
 - 78.0021 x1
 - 78.0003 x1



Bundle 1			
Description	Code	£ Ex VAT	£ Inc VAT
Concealed valve, round shower head & round shower arm	BND001	521.00	625.20

- Bundle Components**
- 68.0001 x1
 - 68.0009 x1
 - 68.0020 x2
 - 78.0012 x1
 - 78.0001 x1



Bundle 3			
Description	Code	£ Ex VAT	£ Inc VAT
Concealed valve, round slider rail shower kit.	BND003	286.00	343.20

- Bundle Components**
- 93.0029 x1
 - 93.0044 x1

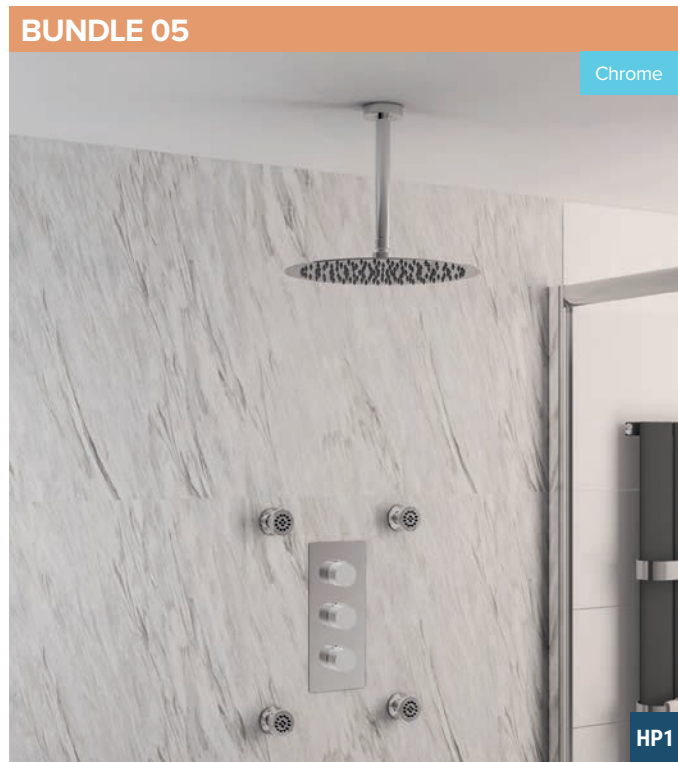
Shower Bundles



Bundle 4			
Description	Code	£ Ex VAT	£ Inc VAT
Concealed valve, rectangular slider rail shower kit	BND004	327.00	392.40

Bundle Components

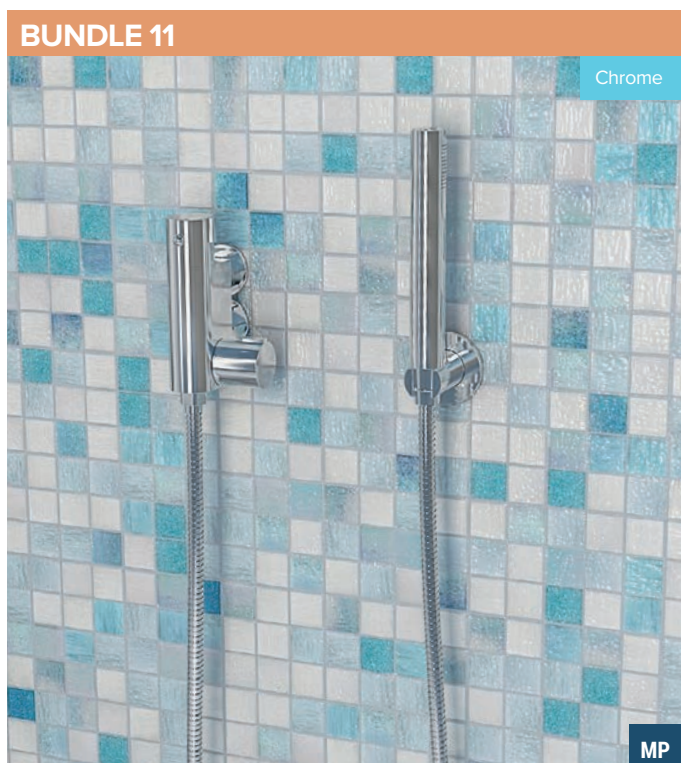
- 93.0032 x1
- 93.0045 x1



Bundle 5			
Description	Code	£ Ex VAT	£ Inc VAT
Concealed valve, round shower head, round body jets & round shower arm	BND005	802.00	962.40

Bundle Components

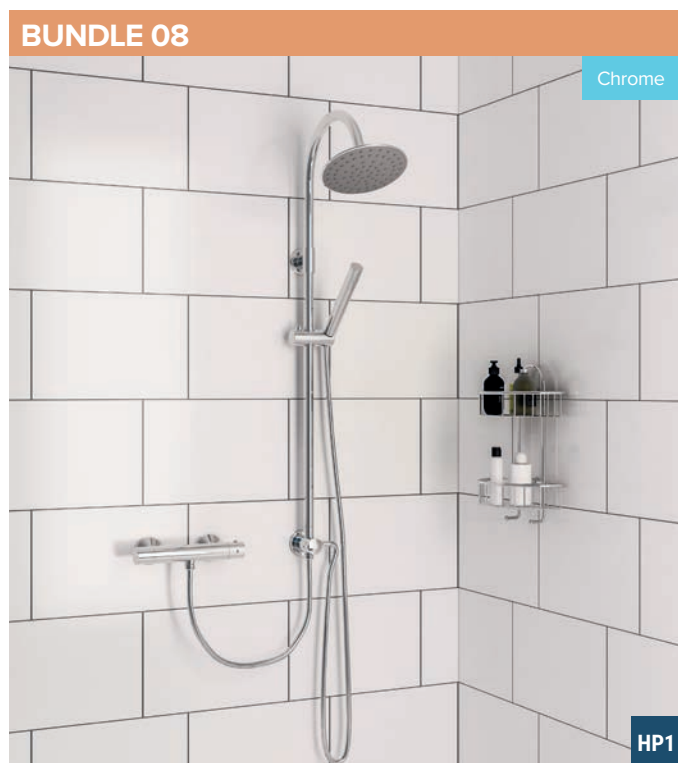
- 68.0003 x1
- 68.0010 x1
- 68.0011 x3
- 78.0011 x1
- 78.0002 x1
- 78.0032 x4



Bundle 11			
Description	Code	£ Ex VAT	£ Inc VAT
Vertical exposed valve, round shower handset, shower hose & shower holder	BND011	223.00	267.60

Bundle Components

- 93.0100 x1
- 78.0025 x1
- 78.0040 x1
- 93.0064 x1



Bundle 7			
Description	Code	£ Ex VAT	£ Inc VAT
Exposed bar valve & breeze riser shower kit	BND008	272.00	326.40

Bundle Components

- 97.0001 x1
- 93.0025 x1

Shower Bundles

BUNDLE 14

Chrome

NEW



HP1

Bundle 14

Description	Code	£ Ex VAT	£ Inc VAT
Thermostatic concealed shower valve, round fixed overhead shower arm, shower head, shower hand set, shower hose, round wall elbow & shower handset holder.	BND014	251.00	301.20

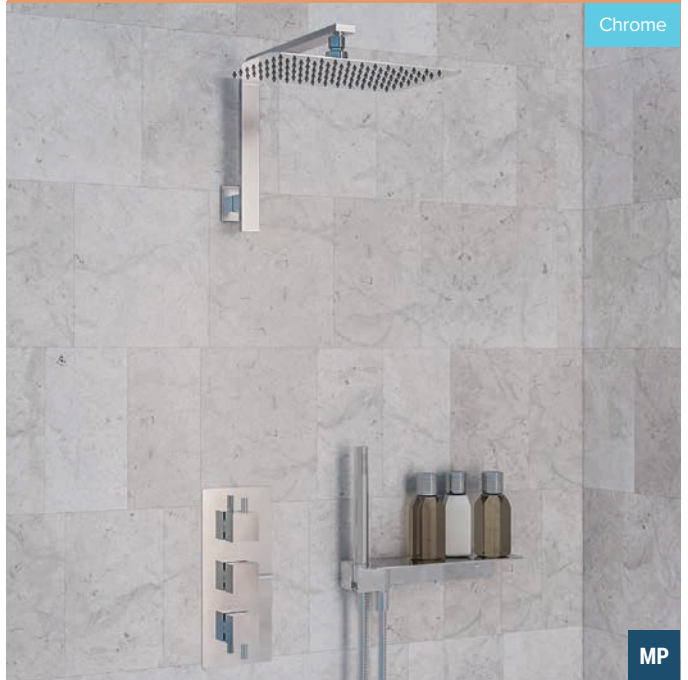
Bundle Components

- 60.1007 x1
- 60.1009 x1
- 60.1012 x1
- 60.1008 x1
- 60.1011 x1
- 60.1013 x1

* Available February 2023

BUNDLE 07

Chrome



MP

Bundle 7

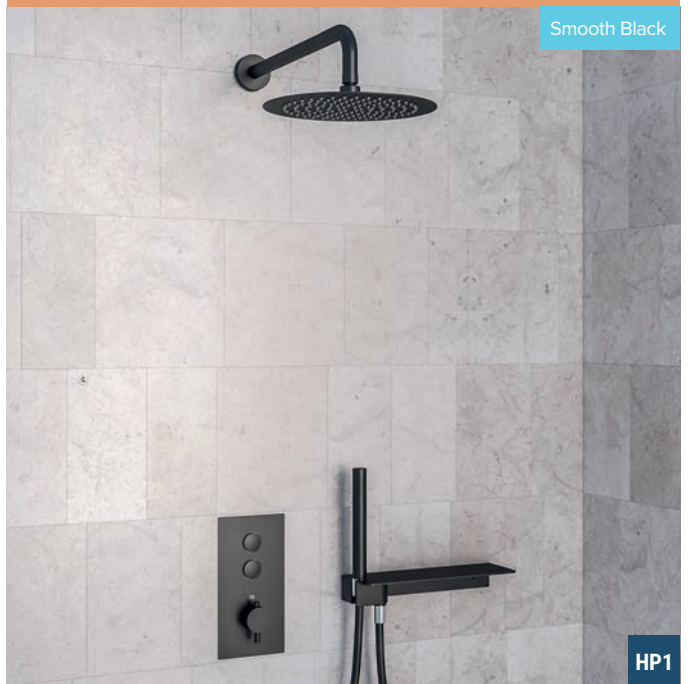
Description	Code	£ Ex VAT	£ Inc VAT
Concealed valve, rectangular shower head, square shower arm & luxury shower shelf.	BND007	906.00	1087.20

Bundle Components

- 68.0003 x1
- 68.0012 x3
- 78.0023 x1
- 68.0024 x1
- 78.0020 x1
- 78.0005 x1

BUNDLE 10

Smooth Black



HP1

Bundle 10

Description	Code	£ Ex VAT	£ Inc VAT
Concealed push button valve, luxury shower shelf, round shower head & round shower arm	BND010	723.00	867.60

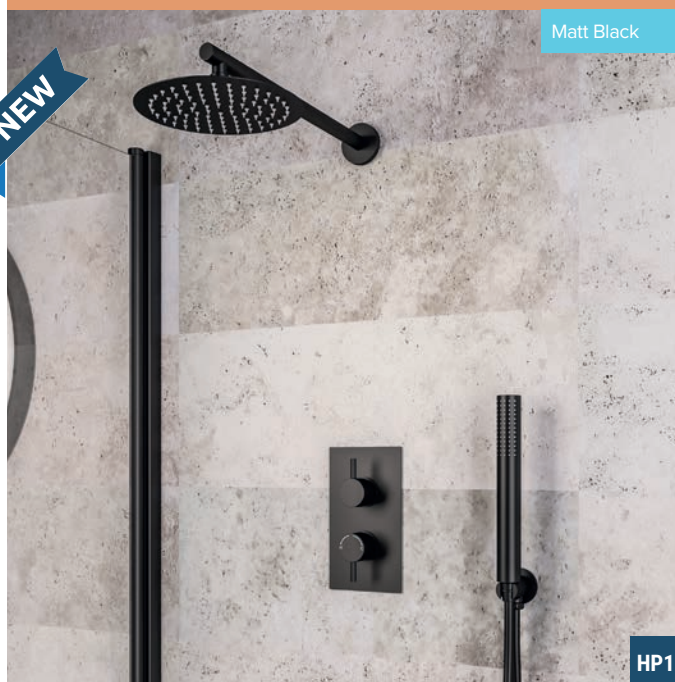
Bundle Components

- 93.0091 x1
- 78.0046 x1
- 78.0048 x1
- 93.0094 x1

Shower Bundles

BUNDLE 15

Matt Black



HP1

Bundle 11

Description	Code	£ Ex VAT	£ Inc VAT
Thermostatic concealed shower valve, round fixed over head shower arm, shower head, shower hand set, shower hose, round wall elbow & shower handset holder.	BND015	270.00	324.00

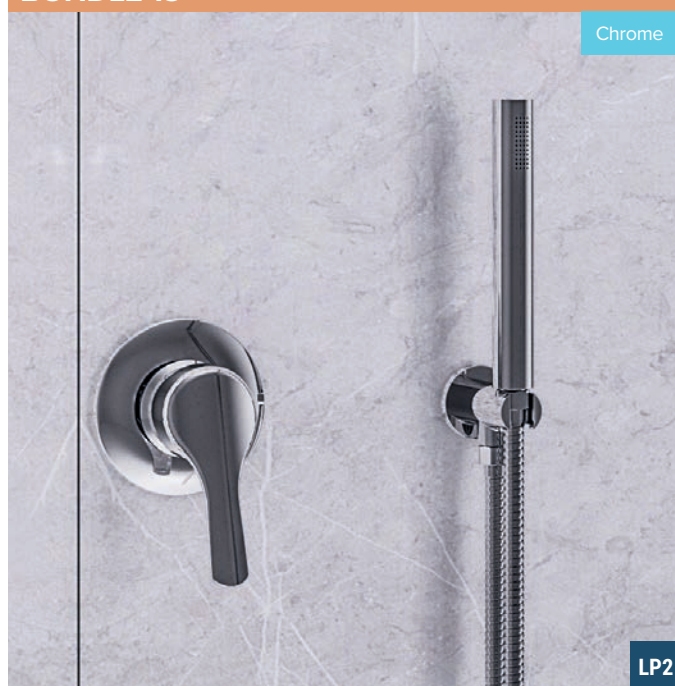
Bundle Components

- 60.1014 x1
- 60.1015 x1
- 60.1016 x1
- 60.1017 x1
- 60.1018 x1
- 60.1019 x1

* Available February 2023

BUNDLE 13

Chrome



LP2

Bundle 13

Description	Code	£ Ex VAT	£ Inc VAT
Concealed manual valve, round outlet elbow with shower holder, shower hose & round round shower handset	BND013	238.00	285.60

Bundle Components

- 68.0056 x1
- 68.0040 x1
- 93.0064 x1
- 93.0106 x1

BUNDLE 09

Chrome / White



HP1

Bundle 09

Description	Code	£ Ex VAT	£ Inc VAT
Traditional concealed valve, round shower head, swivel shower arm, shower hose, round outlet elbow & shower handset	BND009	788.00	945.60

Bundle Components

- 68.0002 x1
- 68.0007 x1
- 68.0028 x1
- 68.0029 x1
- 93.0048 x1
- 93.0069 x1
- 98.0009 x1
- 93.0101 x1
- 97.0007 x1
- 93.0063 x1

Shower Bundles

BUNDLE 16

Brushed Brass

NEW



HP1

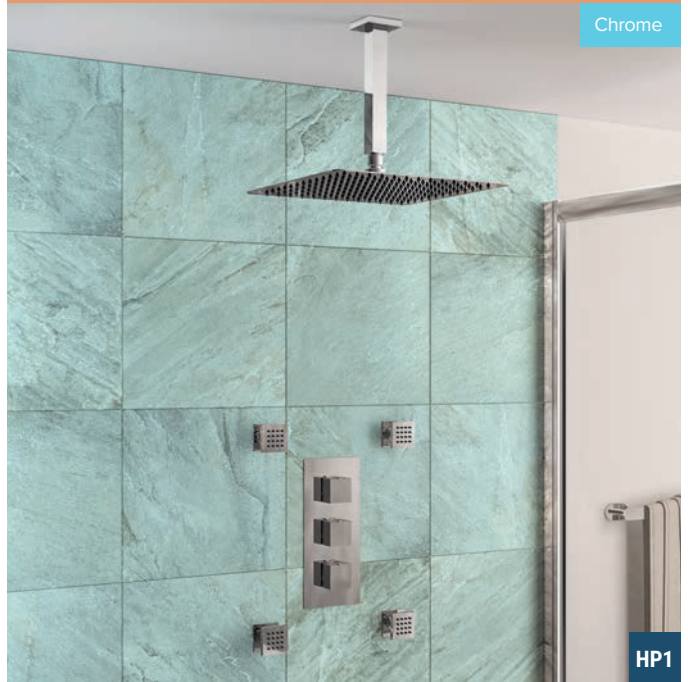
Description	Code	£ Ex VAT	£ Inc VAT
Thermostatic concealed shower valve, round fixed over head shower arm, shower head, shower hand set, shower hose, round wall elbow & shower handset holder.	BND016	278.00	333.60

- Bundle Components**
- 60.1021 x1
 - 60.1022 x1
 - 60.1023 x3
 - 60.1024 x1
 - 60.1025 x1
 - 60.1026 x1

* Available February 2023

BUNDLE 06

Chrome



HP1

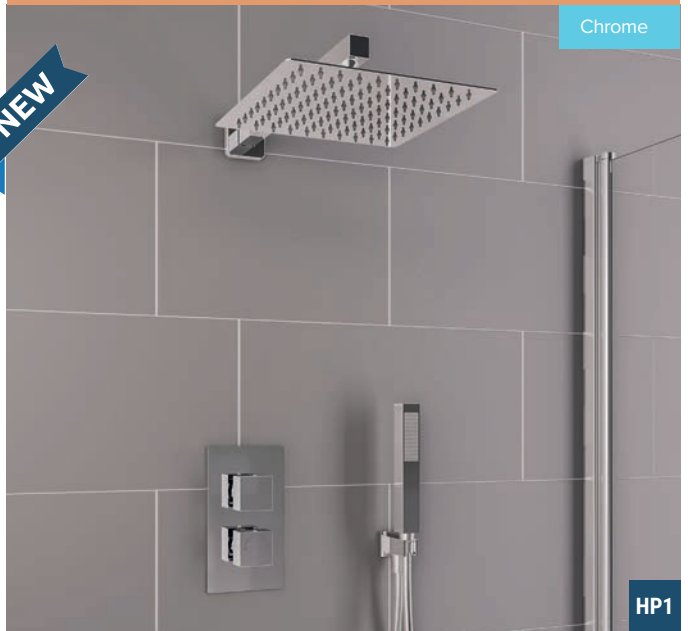
Description	Code	£ Ex VAT	£ Inc VAT
Concealed valve, rectangular shower head, square body jets & square shower arm	BND006	833.00	999.60

- Bundle Components**
- 68.0003 x1
 - 68.0004 x1
 - 68.0024 x1
 - 68.0046 x3
 - 78.0010 x1
 - 78.0004 x1
 - 78.0031 x4

BUNDLE 17

Chrome

NEW



HP1

Description	Code	£ Ex VAT	£ Inc VAT
Thermostatic concealed shower valve, square fixed over head shower arm, shower head, shower hand set, shower hose, square wall elbow & shower handset holder.	BND017	259.00	310.80

- Bundle Components**
- 60.1027 x1
 - 60.1028 x1
 - 60.1029 x3
 - 60.1031 x1
 - 60.1032 x1
 - 60.1033 x1

* Available February 2023

Shower Bundles



Smooth Black

HP1

Bundle 12			
Description	Code	£ Ex VAT	£ Inc VAT
Concealed push button valve, round slide rail kit & round outlet elbow	BND012	328.00	393.60

- Bundle Components**
- 93.0090 x1
 - 93.0096 x1
 - 93.0099 x1



Brushed Brass

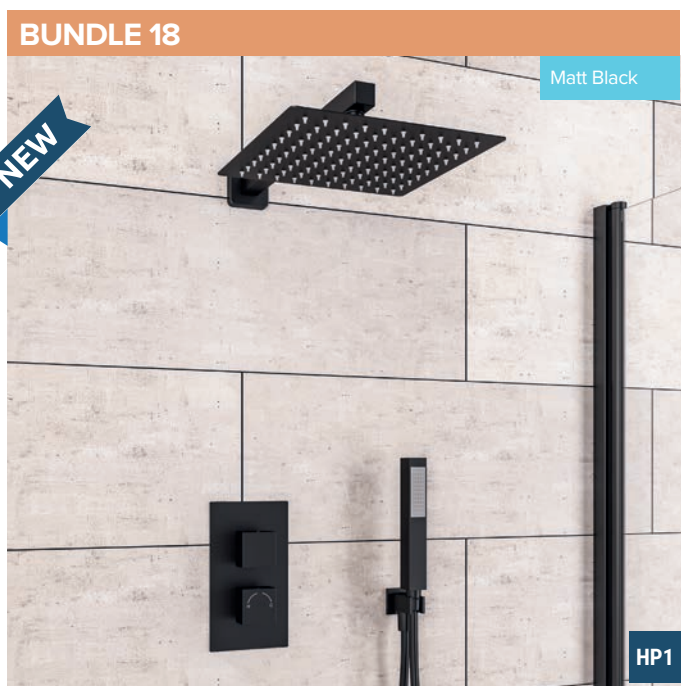
NEW

HP1

Bundle 19			
Description	Code	£ Ex VAT	£ Inc VAT
Thermostatic concealed shower valve, square fixed over head shower arm, shower head, shower hand set, shower hose, square wall elbow & shower handset holder.	BND019	285.00	342.00

- Bundle Components**
- 60.1041 x1
 - 60.1043 x3
 - 60.1045 x1
 - 60.10242 x1
 - 60.1044 x1
 - 60.1046 x1

* Available February 2023



Matt Black

HP1

Bundle 18			
Description	Code	£ Ex VAT	£ Inc VAT
Thermostatic concealed shower valve, square fixed over head shower arm, shower head, shower hand set, shower hose, square wall elbow & shower handset holder.	BND018	277.00	332.40

- Bundle Components**
- 60.1034 x1
 - 60.1036 x3
 - 60.1038 x1
 - 60.1035 x1
 - 60.1037 x1
 - 60.1039 x1

* Available February 2023

Shower Valves

TWIN CONCEALED 3/4 THERMOSTATIC SHOWER VALVES

68.0001

LP1

68.0002

LP1

68.0001, 68.0021 & 68.0046 (x2)

68.0002, 68.0023 & 68.0046 (x2)

For a complete full working shower valve you will need:

A = VALVE **B = PLATE** **C = HANDLES**

Choose the following three components to make up a complete shower valve

Valves - Chrome

Description	Code	£ Ex VAT	£ Inc VAT
Twin control shower valve only Chrome	68.0001	281.00	337.20
Twin control shower valve with diverter only	68.0002	310.00	372.00

Plates - Chrome

Description	Code	£ Ex VAT	£ Inc VAT
Oval twin plate round rings	68.0005	65.00	78.00
Square twin plate round rings	68.0009	65.00	78.00
Oval twin plate square rings	68.0021	65.00	78.00
Square twin plate square rings	68.0023	65.00	78.00

Handles - Chrome

Description	Code	£ Ex VAT	£ Inc VAT
Round control handle each	68.0011	29.00	34.80
Square lever control handle each	68.0012	30.00	36.00
Round lever control handle each	68.0020	29.00	34.80
Flow Cross Handles Each*	68.0025	30.00	36.00
Temp Cross Handles Each*	68.0026	30.00	36.00
Traditional Flow Lever Handle Each*	68.0029	27.00	32.40
Traditional Temp Lever Handle Each*	68.0030	27.00	32.40
Square Control Handle each	68.0046	29.00	34.80

*NB One flow handle and one temperature handle required for twin shower valve.

FEATURES

- Chrome plated brass body
- Excellent flow rates at all pressures
- CD cartridge technology
- Thermostatic control, anti scald & override function



On all items on this page

68.0001, 68.0023 & 68.0012 (x2)

LP1

68.0002, 68.0009, 68.0025 & 68.0026

LP1

68.0001, 68.0009 & 68.0011 (x2)

LP1

68.0002, 68.0009 & 68.0020 (x2)

LP1

68.0002, 68.0005, 68.0025 & 68.0026

LP1

68.0001, 68.0005 & 68.0011 (x2)

LP1

68.0002, 68.0005 & 68.0020 (x2)

LP1

68.0001, 68.0021 & 68.0012 (x2)

LP1

68.0002, 68.0005, 68.0029 & 68.0030

LP1

Shower Valves

TRIPLE CONCEALED 3/4 THERMOSTATIC SHOWER VALVES

68.0003, 68.0010
& 68.0011 (x3)



LP1

68.0003, 68.0010
& 68.0020 (x3)



LP1

68.0003, 68.0010
68.0025 (x2) &
68.0026



LP1

68.0004, 68.0010
68.0029 (x2) &
68.0030



LP1

68.0004, 68.0024
& 68.0012 (x3)



LP1

68.0004, 68.0024
& 68.0046 (x3)



LP1

For a complete full working shower valve you will need:

A = VALVE B = PLATE C = HANDLES

Choose the following three components to make up a complete shower valve

Valves - Chrome

Description	Code	£ Ex VAT	£ Inc VAT
Triple control shower valve only	68.0003	310.00	372.00
Triple control shower valve with diverter only	68.0004	363.00	435.60

Plates - Chrome

Description	Code	£ Ex VAT	£ Inc VAT
Square triple plate square rings	68.0024	81.00	97.20
Square triple plate round rings	68.0010	81.00	97.20

Handles - Chrome

Description	Code	£ Ex VAT	£ Inc VAT
Round control handle each	68.0011	29.00	34.80
Square lever control handle each	68.0012	30.00	36.00
Round lever control handle each	68.0020	29.00	34.80
Flow Cross Handles Each*	68.0025	30.00	36.00
Temp Cross Handles Each*	68.0026	30.00	36.00
Traditional Flow Lever Handle Each*	68.0029	27.00	32.40
Traditional Temp Lever Handle Each*	68.0030	27.00	32.40
Square Control Handle each	68.0046	29.00	34.80

*NB Two flow handles and one temperature handle required for triple shower valve.

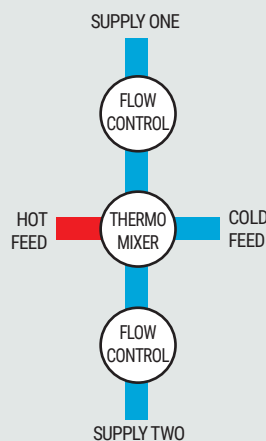
FEATURES

- Chrome plated brass body
- Excellent flow rates at all pressures
- Ceramic Disc cartridge technology
- Thermostatic control, anti scald & override function

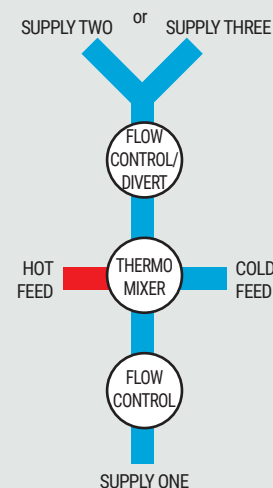


On all items on this page

68.0003



68.0004



LP1 - 0.1 bar minimum

Pressure (bar)	Flow (litres/min)
0.1	9
0.5	23
1	38
2	54
3	65

Note: At maintained equal inlet pressures with open outlet at mid blend temperature.

Shower Valves

CONCEALED 3/4 TRIPLE OUTLET THERMOSTATIC SHOWER VALVES

68.0003, 68.0006
68.0029 (x2) &
68.0030



LP1

68.0003, 68.0022
& 68.0046 (x3)



LP1

68.0004, 68.0006
68.0025 (x2) &
68.0026



LP1

68.0004, 68.0006
& 68.0020 (x3)



LP1

68.0003, 68.0006
& 68.0011 (x3)



LP1

68.0003, 68.0022
& 68.0012 (x3)



LP1

For a complete full working shower valve you will need:

A = VALVE B = PLATE C = HANDLES

Choose the following three components to make up a complete shower valve

Valves - Chrome

Description	Code	£ Ex VAT	£ Inc VAT
Triple control shower valve only	68.0003	310.00	372.00
Triple control shower valve with diverter only	68.0004	363.00	435.60

Plates - Chrome

Description	Code	£ Ex VAT	£ Inc VAT
Oval triple plate round rings	68.0006	117.00	140.40
Oval triple plate square rings	68.0022	117.00	140.40

Handles - Chrome

Description	Code	£ Ex VAT	£ Inc VAT
Round control handle each	68.0011	29.00	34.80
Square lever control handle each	68.0012	30.00	36.00
Flow Cross Handles Each*	68.0025	30.00	36.00
Temp Cross Handles Each*	68.0026	30.00	36.00
Round lever control handle each	68.0020	29.00	34.80
Traditional Flow Lever Handle Each*	68.0029	27.00	32.40
Traditional Temp Lever Handle Each*	68.0030	27.00	32.40
Square Control Handle each	68.0046	29.00	34.80

*NB Two flow handles and one temperature handle required for triple shower valve.

FEATURES

- Chrome plated brass body
- Excellent flow rates at all pressures
- Ceramic Disc cartridge technology
- Thermostatic control, anti scald & override function



On all items on this page

Pressure (bar)	Flow (litres/min)
0.1	9
0.5	23
1	38
2	54
3	65

Note: At maintained equal inlet pressures with open outlet at mid blend temperature.

LP1 - 0.1 bar minimum

Shower Valves

CONCEALED TRADITIONAL THERMOSTATIC 3/4 SHOWER VALVES

68.0001, 68.0007
68.0027 &
68.0028



LP1

68.0002, 68.0007
68.0028 &
68.0029



LP1

68.0002, 68.0007
68.0029 &
68.0030



LP1

68.0003, 68.0008
68.0027 & (x2)
68.0028



LP1

68.0004, 68.0008
68.0029 & (x2)
68.0028



LP1

68.0004, 68.0008
68.0029 & (x2)
68.0030



LP1

For a complete full working shower valve you will need:

A = VALVE B = PLATE C = HANDLES

Choose the following three components to make up a complete shower valve

Valves - Chrome			
Description	Code	£ Ex VAT	£ Inc VAT
Twin control shower valve only Chrome	68.0001	281.00	337.20
Twin control shower valve with diverter only	68.0002	310.00	372.00
Triple control shower valve only	68.0003	310.00	372.00
Triple control shower valve with diverter only	68.0004	363.00	435.60

Plates - Chrome			
Description	Code	£ Ex VAT	£ Inc VAT
Traditional twin plate only	68.0007	70.00	84.00
Traditional triple plate only	68.0008	84.00	100.80

Handles - Chrome			
Description	Code	£ Ex VAT	£ Inc VAT
Traditional Flow Cross Handle Each*	68.0027	31.00	37.20
Traditional Temp Cross Handle Each*	68.0028	31.00	37.20
Traditional Flow Lever Handle Each*	68.0029	27.00	32.40
Traditional Temp Lever Handle Each*	68.0030	27.00	32.40

*NB Two flow handles and one temperature handle required for triple shower valve.

FEATURES

- Chrome plated brass body
- Excellent flow rates at all pressures
- Ceramic Disc cartridge technology
- Thermostatic control, anti scald & override function



On all items on this page

Shower Valves

CONCEALED 3/4 PUSH BUTTON SHOWER VALVES

Modern push button flow controlled shower valves for easy operation and minimalist appearance. Available in single, twin or triple outlets for all your showering needs.



HP1

Round Concealed Thermostatic Single Push Button Shower Valve Chrome

Single Push Button Shower Valves			
Description	Code	£ Ex VAT	£ Inc VAT
Single Push Button	93.0029	215.00	258.00
Pressure	HP1 (1 bar minimum)		



HP1

Round Concealed Thermostatic Double Push Button Shower Valve Chrome

Double Push Button Shower Valves			
Description	Code	£ Ex VAT	£ Inc VAT
Double Push Button	93.0030	271.00	325.20
Pressure	HP1 (1 bar minimum)		



HP1

Round Concealed Thermostatic Triple Push Button Shower Valve Chrome

Triple Push Button Shower Valves			
Description	Code	£ Ex VAT	£ Inc VAT
Triple Push Button	93.0031	304.00	364.80
Pressure	HP1 (1 bar minimum)		



HP1

Square Concealed Thermostatic Single Push Button Shower Valve

Single Push Button Shower Valves			
Description	Code	£ Ex VAT	£ Inc VAT
Single Push Button	93.0032	217.00	260.40
Pressure	HP1 (1 bar minimum)		



HP1

Square Concealed Thermostatic Double Push Button Shower Valve

Double Push Button Shower Valves			
Description	Code	£ Ex VAT	£ Inc VAT
Double Push Button	93.0033	273.00	327.60
Pressure	HP1 (1 bar minimum)		



HP1

Square Concealed Thermostatic Triple Push Button Shower Valve

Triple Push Button Shower Valves			
Description	Code	£ Ex VAT	£ Inc VAT
Triple Push Button	93.0034	307.00	368.40
Pressure	HP1 (1 bar minimum)		

FEATURES

All push button shower valves on this page:

- Chrome plated brass body
- Thermostatic control
- Ceramic disc cartridge technology
- Anti-scald & override function
- Can operate multiple functions at the same time

Pressure (bar)	Flow (litres/min)
1	11
2	16.2
3	20

Note: At maintained equal inlet pressures with open outlet at mid blend temperature.

MP - 0.5 bar minimum

HP1 - 1 bar minimum

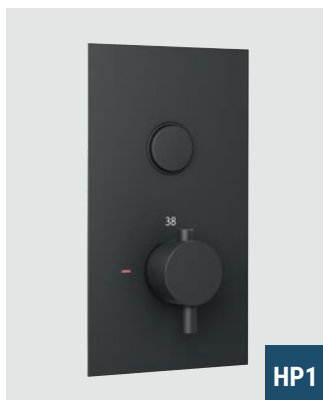
Shower Valves



On all items on this page

CONCEALED 3/4 PUSH BUTTON SHOWER VALVES

Modern push button flow controlled shower valves for easy operation and minimalist appearance. Available in single, twin or triple outlets for all your showering needs.

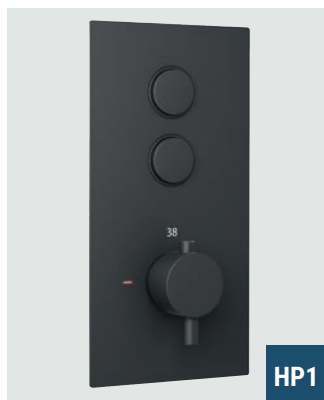


HP1

Round Concealed Thermo Single Push Button Shower Valve Matt Smooth Black

Round Single Push Button		
Code	£ Ex VAT	£ Inc VAT
93.0090	225.00	270.00

Pressure HP1 (1 bar minimum)

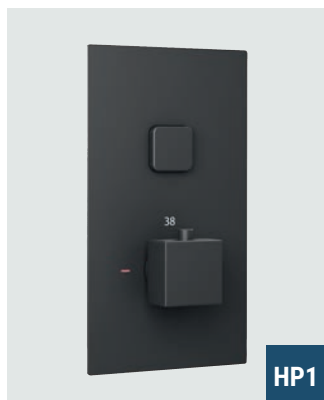


HP1

Round Concealed Thermo Double Push Button Shower Valve Matt Smooth Black

Round Double Push Button		
Code	£ Ex VAT	£ Inc VAT
93.0091	281.00	337.20

Pressure HP1 (1 bar minimum)



HP1

Square Concealed Thermo Single Push Button Shower Valve Matt Smooth Black

Square Single Push Button		
Code	£ Ex VAT	£ Inc VAT
93.0092	226.00	271.20

Pressure HP1 (1 bar minimum)



HP1

Square Concealed Thermo Double Push Button Shower Valve Matt Smooth Black

Square Double Push Button		
Code	£ Ex VAT	£ Inc VAT
93.0093	286.00	343.20

Pressure HP1 (1 bar minimum)

FEATURES

All push button shower valves on this page:

- Matt Smooth Black finish
- Ceramic disc cartridge technology
- Can operate multiple functions at the same time
- Thermostatic control
- Anti-scald & override function

Pressure (bar)	Flow (litres/min)
1	11
2	16.2
3	20

Note: At maintained equal inlet pressures with open outlet at mid blend temperature.



THERMOSTATIC BATH SHOWER MIXERS

Thermostatic bath shower mixers that can be wall or deck mounted.



93.0038

New Biava Wall Mounted Thermostatic BSM w/o Kit Chrome

Code	£ Ex VAT	£ Inc VAT
93.0038	159.00	190.80

Pressure MP (0.5 bar minimum)

- Fixing centres 150mm
- Chrome plated brass body
- Thermostatic control
- Ceramic disc cartridge technology
- Anti-scald & override function
- Built in diverter

Shower kits page 820-826

93.0038 Pressure (bar)	Flow (litres/min)
0.5	8.3
1	12
2	18.5
3	22.5

Note: At maintained equal inlet pressures with open outlet at mid blend temperature.



93.0039

Cotswold Wall Mounted Thermostatic BSM w/o kit Chrome

Code	£ Ex VAT	£ Inc VAT
93.0039	134.00	160.80

Pressure MP (0.5 bar minimum)

- Fixing centres 150mm
- Chrome plated brass body
- Thermostatic control
- Ceramic disc cartridge technology
- Anti-scald & override function
- Built in diverter

Shower kits page 820-826

93.0039 Pressure (bar)	Flow (litres/min)
0.5	9
1	13.5
2	19.8
3	23.2

Note: At maintained equal inlet pressures with open outlet at mid blend temperature.



Pictured 93.0038 with 93.0040



93.0040

Deck Mounting Pillars Chrome

Code	£ Ex VAT	£ Inc VAT
93.0040	38.00	45.60

When fitted with 93.0038 or 93.0039, please change their centre fixings from 150mm to 180mm.

Shower Valves

TWO WAY THERMOSTATIC CONCEALED SHOWER VALVE



Modern twist-lever flow controlled shower valves for easy operation and minimalist appearance. Available in twin outlets for overhead showering and handsets.

On all items on this page



Two Way Round Thermostatic Concealed Shower Valve - Chrome

Round Concealed Valve - Chrome			
Description	Code	£ Ex VAT	£ Inc VAT
Round Concealed Valve	60.1009	181.00	217.20
Pressure	MP (0.5 bar minimum)		

* Available February 2023



Two Way Modern Round Thermostatic Concealed Shower Valve - Matt Black

Round Concealed Valve - Matt Black			
Description	Code	£ Ex VAT	£ Inc VAT
Round Concealed Valve	60.1016	190.00	228.00
Pressure	MP (0.5 bar minimum)		

* Available February 2023



Two Way Modern Round Thermostatic Concealed Shower Valve - Brushed Brass

Round Concealed Valve - Matt Black			
Description	Code	£ Ex VAT	£ Inc VAT
Round Concealed Valve	60.1023	191.00	229.20
Pressure	MP (0.5 bar minimum)		

* Available February 2023



Two Way Modern Square Thermostatic Concealed Shower Valve - Chrome

Square Concealed Valve - Chrome			
Description	Code	£ Ex VAT	£ Inc VAT
Square Concealed Valve	60.1029	182.00	218.40
Pressure	MP (0.5 bar minimum)		

* Available February 2023



Two Way Modern Square Thermostatic Concealed Shower Valve - Matt Black

Square Concealed Valve - Matt Black			
Description	Code	£ Ex VAT	£ Inc VAT
Square Concealed Valve	60.1036	190.00	228.00
Pressure	MP (0.5 bar minimum)		

* Available February 2023



Two Way Modern Square Thermostatic Concealed Shower Valve - Brushed Brass

Square Concealed Valve - Brushed Brass			
Description	Code	£ Ex VAT	£ Inc VAT
Square Concealed Valve	60.1043	192.00	230.40
Pressure	MP (0.5 bar minimum)		

* Available February 2023

FEATURES

All shower valves on this page:

- PVD coated brass body
- Ceramic disc cartridge technology
- Thermostatic control
- Anti-scald & override function

Pressure (bar)	Flow (litres/min)
1	11
2	16.2
3	20

Note: At maintained equal inlet pressures with open outlet at mid blend temperature.

MP	- 0.5 bar minimum	HP1	- 1 bar minimum
-----------	-------------------	------------	-----------------

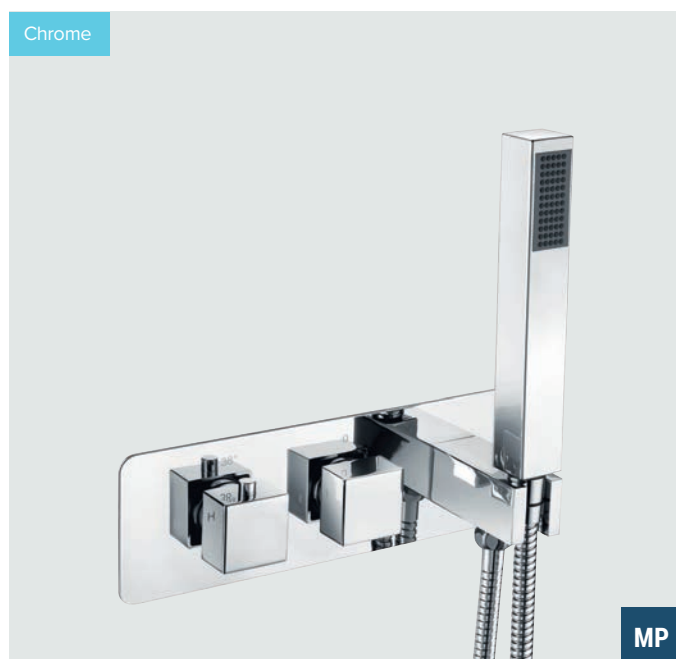
Shower Valves



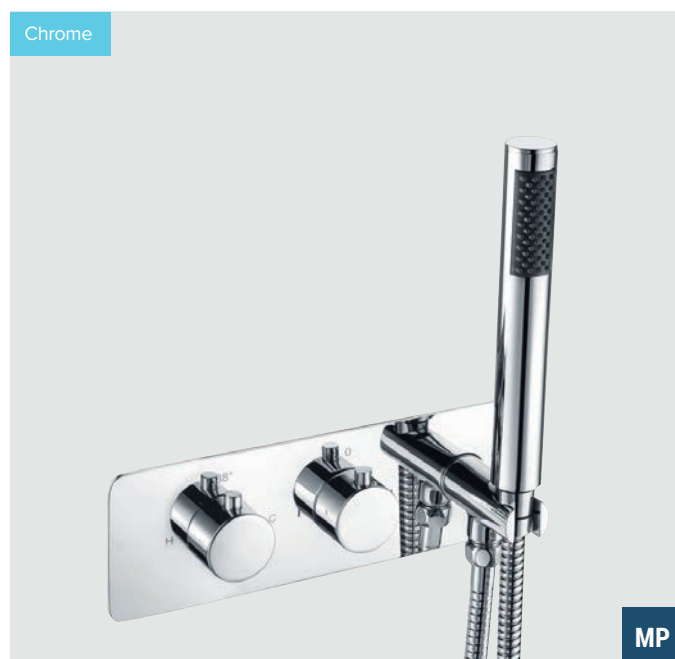
On all items on this page

CONCEALED HORIZONTAL THERMOSTATIC SHOWER VALVE

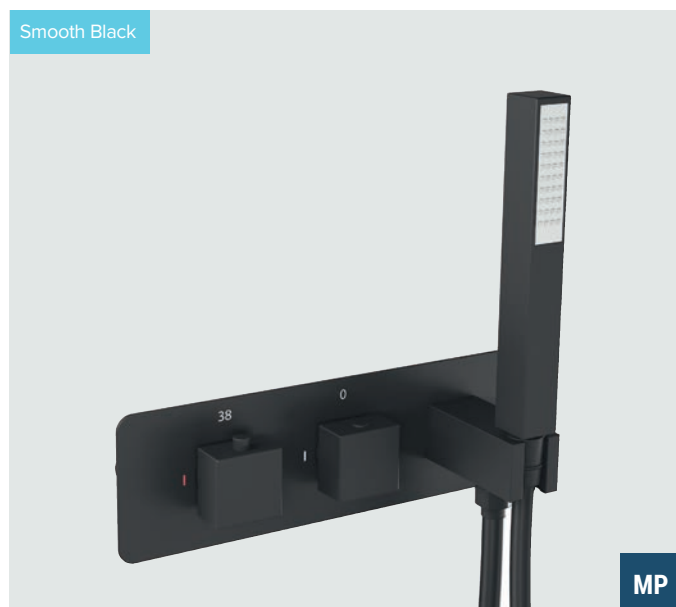
Horizontal thermostatic shower valve with built-in shower handset and second outlet for a bath filler or fixed shower head.



Square Horizontal Thermostatic Shower Valve Inc Kit Chrome			
Description	Code	£ Ex VAT	£ Inc VAT
Square Horizontal Thermostatic Shower Valve Inc Kit	93.0027	316.00	379.20
Pressure	MP (0.5 bar minimum)		



Round Horizontal Thermostatic Shower Valve Inc Kit Chrome			
Description	Code	£ Ex VAT	£ Inc VAT
Round Horizontal Thermostatic Shower Valve Inc Kit	93.0028	301.00	361.20
Pressure	MP (0.5 bar minimum)		



Square Horizontal Shower Valve Inc Kit			
Description	Code	£ Ex VAT	£ Inc VAT
Square Horizontal Thermostatic Shower Valve Inc Kit	93.0086	330.00	396.00
Pressure	MP (0.5 bar minimum)		



Round Horizontal Shower Valve Inc Kit			
Description	Code	£ Ex VAT	£ Inc VAT
Round Horizontal Thermostatic Shower Valve Inc Kit	93.0087	313.00	375.60
Pressure	MP (0.5 bar minimum)		

FEATURES

All shower valves on this page:

- Brass construction
- Thermostatic control
- Ceramic disc cartridge technology
- Anti-scald & override function

Single function handset and shower hose included

Pressure (bar)	Flow (litres/min)
0.5	9.7
1	14
2	20.5
3	27

Note: At maintained equal inlet pressures with open outlet at mid blend temperature.

Shower Valves

MANUAL SHOWER VALVES

Manufactured from solid brass, this traditional yet stylish manual valve is suitable for both concealed and exposed installations. With hard-wearing and reliable ceramic disc technology and an easy-to-use lever action, this valve is suitable for all installations.

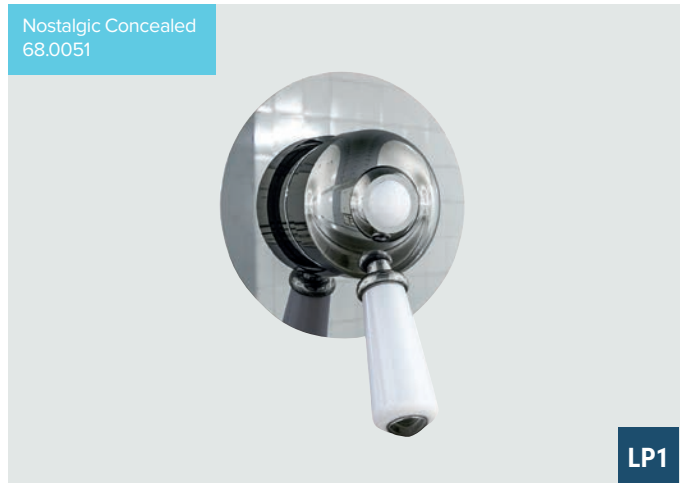


Manual Valve Exposed / Concealed			
Description	Code	£ Ex VAT	£ Inc VAT
Manual Valve Exposed / Concealed	68.0056	136.00	163.20
Pressure	LP2 (0.2 bar minimum)		

- Chrome plated brass body
- Excellent flow rates at all pressures
- Can have either a top or bottom outlet
- Ceramic disc cartridge technology
- Exposed valve has 150 centres

NOSTALGIC SINGLE LEVER SHOWER VALVE

Manufactured from solid brass, this traditional yet stylish manual valve is suitable for both concealed and exposed installations. With hard-wearing and reliable ceramic disc technology and an easy-to-use lever action, this valve is suitable for all installations.



Nostalgic Single Lever Manual Shower Valve			
Description	Code	£ Ex VAT	£ Inc VAT
Nostalgic Single Lever Manual Shower Valve	68.0051	149.00	178.80
Pressure	LP1 (0.1 bar minimum)		

- Chrome plated brass body
- Excellent flow rates at all pressures
- Ceramic disc cartridge technology
- Exposed valve has 150 centres

Pressure (bar)	Flow (litres/min)
0.1	7.3
0.2	9.6
0.5	13.8
1	18.2
2	22.5
3	26.5

Note: At maintained equal inlet pressures with open outlet at mid blend temperature

LP1 - 0.1 bar minimum **MP** - 0.5 bar minimum

LP2 - 0.2 bar minimum



On all items on this page

Shower Valves

THERMOSTATIC SHOWER VALVES



68.0032

LP2

Thermostatic Lever Concealed Shower Valve

Description	Code	£ Ex VAT	£ Inc VAT
Thermostatic Lever Concealed Shower Valve	68.0032	411.00	493.20

Pressure LP2 (0.2 bar minimum)

- Chrome plated brass body
- Excellent flow rates at all pressures
- Ceramic disc cartridge technology
- Exposed valve has 150mm centres
- Thermostatic control, anti scald & override function



68.0031

LP2

Thermostatic Lever Exposed Shower Valve

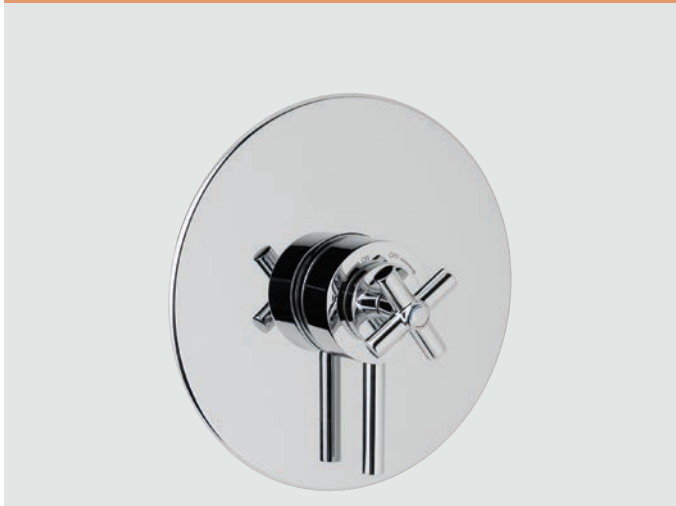
Description	Code	£ Ex VAT	£ Inc VAT
Thermostatic Lever Exposed Shower Valve	68.0031	422.00	506.40

Pressure LP2 (0.2 bar minimum)

Pressure (bar)	Flow (litres/min)
0.2	9.3
0.5	12.3
1	14.4
2	17.1
3	20.6

Note: At maintained equal inlet pressures with open outlet at mid blend temperature

THERMOSTATIC CROSS HEAD VALVES



68.0034

LP2

Thermostatic Crosshead Concealed Shower Valve

Description	Code	£ Ex VAT	£ Inc VAT
Thermostatic Crosshead Concealed Shower Valve	68.0034	411.00	493.20

Pressure LP2 (0.2 bar minimum)

- Chrome plated brass body
- Excellent flow rates at all pressures
- Ceramic disc cartridge technology
- Exposed valve has 150mm centres
- Thermostatic control, anti scald & override function



68.0033

LP2

Thermostatic Crosshead Exposed Shower Valve

Description	Code	£ Ex VAT	£ Inc VAT
Thermostatic Crosshead Exposed Shower Valve	68.0033	422.00	506.40

Pressure LP2 (0.2 bar minimum)

Pressure (bar)	Flow (litres/min)
0.2	8.7
0.5	11.9
1	13.9
2	16.5
3	20.1

Note: At maintained equal inlet pressures with open outlet at mid blend temperature

LP2 - 0.2 bar minimum

Shower Valves



On all items on this page

TRADITIONAL THERMOSTATIC SHOWER VALVES

Elegance is the essence with the Traditional Valves, whether you prefer the appearance of the concealed or the exposed shower valve system. This high quality collection, with its excellence in both design and reliability, adds sophistication to any lifestyle.



68.0050

LP2

Traditional Concealed Thermostatic Shower Valve

Description	Code	£ Ex VAT	£ Inc VAT
Traditional concealed thermostatic shower valve	68.0050	406.00	487.20

Pressure LP2 (0.2 bar minimum)

- Chrome plated brass body
- Excellent flow rates at all pressures
- Ceramic disc cartridge technology
- Exposed valve has 150mm centres
- Thermostatic control, anti scald & override function



68.0049

LP2

Traditional Exposed Thermostatic Shower Valve

Description	Code	£ Ex VAT	£ Inc VAT
Traditional exposed thermostatic shower valve	68.0049	387.00	464.40

Pressure LP2 (0.2 bar minimum)

Pressure (bar)	Flow (litres/min)
0.2	8.7
0.5	11.9
1	13.9
2	16.5
3	20.1

Note: At maintained equal inlet pressures with open outlet at mid blend temperature

Compatible Traditional Riser Kit 'Stratford' Page 841

TRADITIONAL THERMOSTATIC SHOWER VALVES

An elegant Edwardian-styled shower incorporating the latest technology. These valves are manufactured from solid brass and are suitable for use with all recognised installations including combination boilers and gravity systems. This high-performance shower comes complete with precise thermostatic control and an anti-scald device, making it extremely safe and simple to use.



68.0019

LP2

Thermostatic Traditional Concealed Shower Valve

Description	Code	£ Ex VAT	£ Inc VAT
Thermostatic traditional concealed shower valve	68.0019	503.00	603.60

Pressure LP2 (0.2 bar minimum)

- Chrome plated brass body
- Excellent flow rates at all pressures
- Ceramic disc cartridge technology
- Exposed valve has 150mm centres
- Thermostatic control, anti scald & override function



68.0018

LP2

Thermostatic Traditional Exposed Shower Valve

Description	Code	£ Ex VAT	£ Inc VAT
Thermostatic traditional exposed shower valve	68.0018	527.00	632.40

Pressure LP2 (0.2 bar minimum)

Pressure (bar)	Flow (litres/min)
0.2	8.7
0.5	11.9
1	13.9
2	16.5
3	20.1

Note: At maintained equal inlet pressures with open outlet at mid blend temperature

Compatible Traditional Riser Kit 'Stratford' Page 841

Shower Valves

TRADITIONAL EXPOSED TWIN THERMOSTATIC VALVE

Designed to coordinate with our taps and mixers, these quality, high performance valves are manufactured from solid brass. Separate flow and temperature controls mean the showers are easy to adjust and safe to use, making them ideal for a family environment. The valves are suitable for use with all recognised installations, including combination boilers and gravity systems.



Traditional Twin Exposed Thermostatic Shower Valve

Description	Code	£ Ex VAT	£ Inc VAT
Twin Exposed Shower Value	68.0048	424.00	508.80

Pressure LP1 (0.1 bar minimum)

- Chrome plated brass body
- Excellent flow rates at all pressures
- Ceramic disc cartridge technology
- Exposed valve has 150mm centres
- Thermostatic control, anti scald & override function



Traditional Twin Exposed Thermostatic Shower Valve

Description	Code	£ Ex VAT	£ Inc VAT
Twin Exposed Shower Value	68.0047	424.00	508.80

Pressure LP1 (0.1 bar minimum)

Pressure (bar)	Flow (litres/min)
0.1	7
0.2	8.6
0.5	11.7
1	13.5
2	16.5
3	20

Note: At maintained equal inlet pressures with open outlet at mid blend temperature

VERTICAL THERMOSTATIC SHOWER VALVE



Vertical Thermostatic Shower Valve Chrome

Description	Code	£ Ex VAT	£ Inc VAT
Vertical Thermostatic Shower Valve Chrome	93.0100	121.00	145.20

Pressure LP1 (0.1 bar minimum)

- Chrome plated brass body
- Thermostatic control
- Ceramic disc cartridge technology
- Thermostatic control, anti scald & override function



Pressure (bar)	Flow (litres/min)
0.5	8.1
1	11.4
2	16.2
3	20.5

Note: At maintained equal inlet pressures with open outlet at mid blend temperature

Shower Valves



HP1

TRADITIONAL RISER KIT WITH TWIN VALVE



HP1

Traditional Riser Kit With Twin Valve

Description	Code	£ Ex VAT	£ Inc VAT
Traditional Riser with Twin Valve	93.0071	555.00	666.00

Pressure HP1 (1 bar minimum)

FEATURES

Shower Kit

- 8" Brass chrome plated shower head.
- Polished stainless steel sliding bar.
- Single feature brass chrome plated shower handset.
- Stainless steel shower hose.

Shower Valve

- Chrome plated brass body.
- CD cartridge technology.
- Brass & Ceramic handles.
- Fixing centres 150mm
- Thermostatic control, Anti-scald & override function.
- On HP2, showerhead and handset can be operated simultaneously.

Pressure (bar)	Flow (litres/min)
1	12.5
2	18
3	22

Note: At maintained equal inlet pressures with open outlet at mid blend temperature.

LP1 - 0.1 bar minimum

HP1 - 1 bar minimum

MP - 0.5 bar minimum

Bar Valves



THERMOSTATIC BAR VALVES

Exposed bar valves in a range of styles and prices to suit all designs.



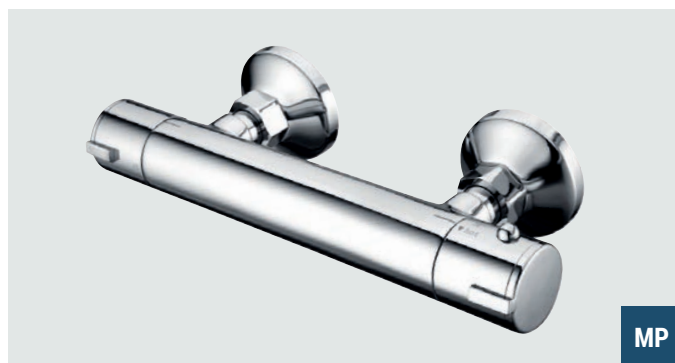
MP

Round Thermostatic Bar Valve Matt Smooth Black

Description	Code	£ Ex VAT	£ Inc VAT
Round Thermostatic Bar Valve Matt Smooth Black	93.0089	132.00	158.40

Pressure MP (0.5 bar minimum)

- Excellent flow rates at all pressures
- Ceramic disc cartridge technology
- Thermostatic control, Anti-scald & override function.



MP

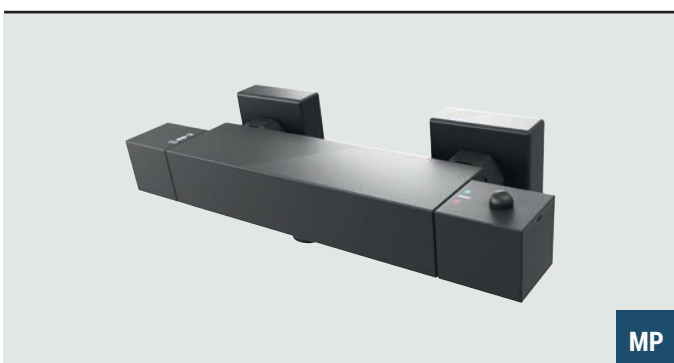
Round Thermostatic Bar Valve Chrome

Description	Code	£ Ex VAT	£ Inc VAT
Round Thermostatic Bar Valve Chrome	93.0025	127.00	152.40

Pressure MP (0.5 bar minimum)

Pressure (bar)	Flow (litres/min)
0.5	8.8
1	12.6
2	18.1
3	22.2

Note: At maintained equal inlet pressures with open outlet at mid blend temperature



MP

Square Thermostatic Bar Valve Matt Smooth Black

Description	Code	£ Ex VAT	£ Inc VAT
Square Thermostatic Bar Valve Matt Smooth Black	93.0088	158.00	189.60

Pressure MP (0.5 bar minimum)

- Excellent flow rates at all pressures
- Ceramic disc cartridge technology
- Thermostatic control, Anti-scald & override function.

MP - 0.5 bar minimum



MP

Square Thermostatic Bar Valve Chrome

Description	Code	£ Ex VAT	£ Inc VAT
Square Thermostatic Bar Valve Chrome	93.0026	152.00	182.40

Pressure MP (0.5 bar minimum)

Pressure (bar)	Flow (litres/min)
0.5	8.8
1	12.6
2	18.1
3	22.2

Note: At maintained equal inlet pressures with open outlet at mid blend temperature

ACCESSORIES



Backplate Elbow Unions

Description	Code	£ Ex VAT	£ Inc VAT
Backplate Elbow Unions	93.0060	24.00	28.80



Concealed Fixing Bracket

Description	Code	£ Ex VAT	£ Inc VAT
Concealed fixing bracket	68.0055	40.00	48.00

Bar Valves & Shower Shelves

CONTEMPORARY RISER SET



MP

Contemporary Shower Riser Set with Bar Valve

Description	Code	£ Ex VAT	£ Inc VAT
Contemporary Shower Riser Set with Bar Valve	93.0116	132.00	158.40

Pressure MP (0.5 bar minimum)

- Exposed valve has 150mm centres
- Thermostatic control, anti scald & override function

FEATURES

- Chrome plated brass body
- Slider rail with adjustable wall fixing brackets
- Excellent flow rates at all pressures
- CD cartridge technology
- Thermostatic control, anti scald function
- Six function handset
- Chrome plated soap holder

LUXURY SHOWER SHELVES

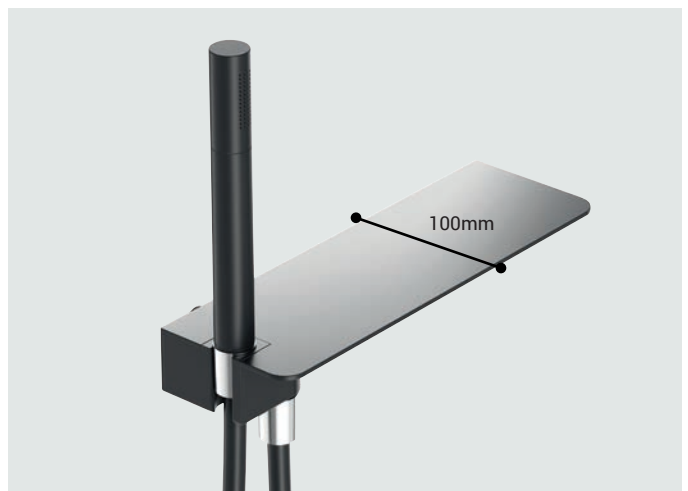
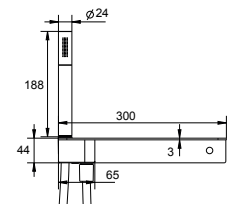


Shower Shelves Inc Shower Kit Chrome

Description	Code	£ Ex VAT	£ Inc VAT
Shower Shelf inc shower kit	78.0023	189.00	226.80

FEATURES

- Stainless steel construction
- Polished finish
- Built-in outlet elbow
- Includes single function brass shower handset & stainless steel shower hose
- Requires shower valve
- Concealed rear inlet

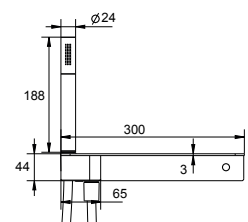


Shower Shelves Inc Shower Kit Matt Smooth Black

Description	Code	£ Ex VAT	£ Inc VAT
Shower Shelf inc shower kit matt smooth black	78.0048	308.00	369.60

FEATURES

- Stainless steel construction
- Matt smooth black finish
- Built-in outlet elbow
- Includes single function brass shower handset & PVC shower hose
- Requires shower valve
- Concealed rear inlet



LP1 - 0.1 bar minimum

MP - 0.5 bar minimum

Shower Poles



Modern Round Thermostatic Shower

Description	Code	£ Ex VAT	£ Inc VAT
Chrome	60.1001	224.00	268.80
Matt Black	60.1003	243.00	291.60
Brushed Brass	60.1005	256.00	307.20

Pressure MP (0.5 bar minimum)

- PVD coated brass body
- Ceramic disc cartridge technology
- Thermostatic control
- Anti-scald & override function
- Exposed valve has 150mm centres
- Adjustable shower pole height 850mm to 1200mm



Modern Square Thermostatic Shower

Description	Code	£ Ex VAT	£ Inc VAT
Chrome	60.1002	251.00	301.20
Matt Black	60.1004	276.00	331.20
Brushed Brass	60.1006	291.00	349.20

Pressure MP (0.5 bar minimum)

- PVD coated brass body
- Ceramic disc cartridge technology
- Thermostatic control
- Anti-scald & override function
- Exposed valve has 150mm centres
- Adjustable shower pole height 850mm to 1200mm

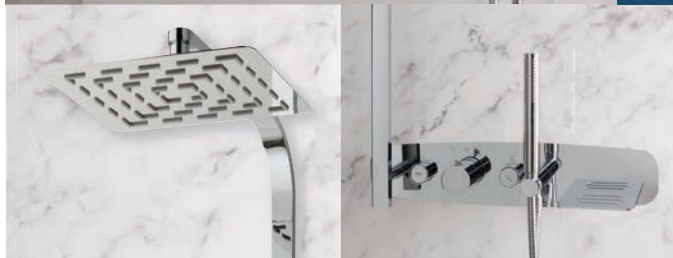
MP - 0.5 bar minimum **HP1** - 1 bar minimum **HP1.5** - 1.5 bar minimum

Shower Poles

VEROLI THERMOSTATIC SHOWER SET WITH SHELF



HP1



Veroli Thermostatic Shower Set With Shelf Chrome

Description	Code	£ Ex VAT	£ Inc VAT
Veroli Thermostatic Shower Set with shelf Chrome	78.0042	872.00	1046.40

Pressure HP1 (1 bar minimum)

FEATURES

- Thermostatic control
- Push button style diverters
- Practical built-in shelf
- Single function brass hand-set included
- Height 1048mm
- Backplate width 500mm
- Backplate height 110mm

THERMOSTATIC SHOWER POLE INC BAR VALVE & KIT



HP1.5

Thermostatic Shower Pole inc Bar Valve & Kit

Description	Code	£ Ex VAT	£ Inc VAT
Thermostatic Shower Pole inc bar valve & kit	78.0035	457.00	548.40

Pressure HP1.5 (1.5 bar minimum)

- Thermostatic control anti scald & override function

Thermostatic Shower Pole inc bar valve and kit • Adjustable height (800-1300mm)

- Solid brass construction
- Chrome finish
- 8" Stainless steel shower head (2mm thickness)
- Single function brass shower hand set
- Temperature controlled brass thermostatic bar valve with built-in diverter

MP - 0.5 bar minimum

HP1.5 - 1.5 bar minimum

HP1 - 1 bar minimum

Shower Poles

WINTERBOURNE SHOWER POLE



MP

Winterbourne Shower Pole

Description	Code	£ Ex VAT	£ Inc VAT
Winterbourne Shower Pole	56.2068	605.00	726.00

Pressure MP (0.5 bar minimum)

- Height (adjustable) 815-1150mm
- Fixing centres 150mm
- Chrome plated brass body
- Thermostatic control
- Ceramic disc cartridge technology
- Anti scald & override function

WINSLADE SHOWER POLE



MP

Winslade Shower Pole

Description	Code	£ Ex VAT	£ Inc VAT
Winslade Shower Pole	56.2069	446.00	535.20

Pressure MP (0.5 bar minimum)

- Height (adjustable) 880-1160mm
- Fixing centres 150mm
- Chrome plated brass body
- Thermostatic control
- Ceramic disc cartridge technology
- Anti scald & override function

THERMOSTATIC SHOWER POLE



HP1.5

Thermostatic Shower Pole with built-in shelf

Thermostatic Shower Pole

Description	Code	£ Ex VAT	£ Inc VAT
Thermostatic Shower Pole	78.0014	583.00	699.60

Pressure HP1.5 (1.5 bar minimum)



Left Side Bottom Spout
Foot Wash



Thermostatic
Flow Control



Push Button
Diverter Control

Riser Kits

RISER KITS



MP

Slim Sliding Riser Kit

Description	Code	£ Ex VAT	£ Inc VAT
Slim Sliding Riser Kit	97.0006	72.00	86.40

Pressure MP (0.5 bar minimum)

- Height 640mm
- Stainless steel rail construction
- Includes 3 function handset, shower hose & outlet elbow



LP1

Boston Slide Rail Kit

Description	Code	£ Ex VAT	£ Inc VAT
Boston slide rail kit	56.2020	113.00	135.60

Pressure LP1 (0.1 bar minimum)

- Fixing Centres 531mm



LP1

Kubix Slider Rail Kit Chrome

Description	Code	£ Ex VAT	£ Inc VAT
Kubix Slider Rail Kit Chrome	93.0042	113.00	135.60

Pressure LP1 (0.1 bar minimum)

- Height 640mm
- Stainless steel rail construction
- Includes single function handset, shower hose & outlet elbow



LP1

Sheer Rectangular Slide Rail Chrome

Description	Code	£ Ex VAT	£ Inc VAT
Sheer Rectangular Slide Rail Chrome	93.0045	110.00	132.00

Pressure LP1 (0.1 bar minimum)

- Height 700mm
- Stainless steel rail construction
- Includes single function handset, shower hose & outlet elbow
- Chrome finish



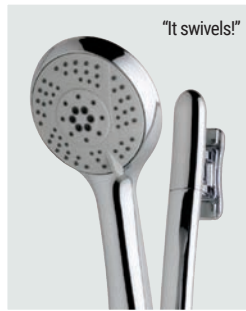
MP

Swivel Sliding Riser Kit

Description	Code	£ Ex VAT	£ Inc VAT
Swivel Sliding Riser Kit	97.0004	70.00	84.00

Pressure MP (0.5 bar minimum)

- Height 570mm
- Includes 5 function handset & shower hose
- Chrome finish



LP1

Memphis Slide Rail Kit

Description	Code	£ Ex VAT	£ Inc VAT
Memphis slide rail kit	56.2021	106.00	127.20

Pressure LP1 (0.1 bar minimum)

- Fixing centres 265mm

MP - 0.5 bar minimum

LP1 - 0.1 bar minimum

Riser Kits

RISER KITS



LP1

Needle Sliding Riser Kit

Description	Code	£ Ex VAT	£ Inc VAT
Needle Sliding Riser Kit	97.0005	57.00	68.40

Pressure LP1 (0.1 bar minimum)

- Height 610mm
- Stainless steel rail construction
- Includes single function handset & shower hose
- Chrome finish



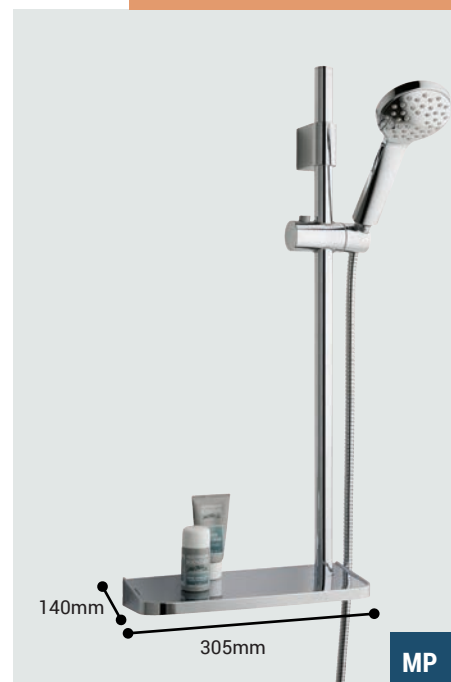
MP

Riser Kit With Round Soap Dish

Description	Code	£ Ex VAT	£ Inc VAT
Riser Kit with Round Soap Dish Chrome	102.001	65.00	78.00

Pressure MP (0.5 bar minimum)

- Height 617mm
- Stainless steel sliding bar
- Includes three function handset and stainless steel shower hose
- Chrome finish



MP

Riser Kit With Rectangular Soap Dish

Description	Code	£ Ex VAT	£ Inc VAT
Riser Kit with Rectangular Soap Dish Chrome	102.002	80.00	96.00

Pressure MP (0.5 bar minimum)

- Height 700mm
- Stainless steel sliding bar
- Includes single function handset and stainless steel shower hose
- Chrome finish



LP1

Dual Sliding Shower Riser Kit

Description	Code	£ Ex VAT	£ Inc VAT
Dual Sliding Shower Riser Kit	97.0003	86.00	103.20

Pressure LP1 (0.1 bar minimum)

- Height 600mm
- Includes only one 3-function handset & shower hose
- Chrome finish



HP2

New Breeze Rigid Riser Kit

Description	Code	£ Ex VAT	£ Inc VAT
New Breeze Rigid Riser Kit	97.0001	146.00	175.20

Pressure HP2 (2 bar minimum)

- Height 1073mm
- Includes single function handset, shower hose & outlet elbow
- Chrome finish

The one handset can be used in two positions as either a fixed shower head or an adjustable height handset.

8mm shower head

Diverter Handle

Riser Kits

RISER KITS



MP

Adjustable Slide Rail Kit Matt Smooth Black

Code	£ Ex VAT	£ Inc VAT
93.0099	70.00	84.00

Pressure MP (0.5 bar minimum)

- Height 640mm
- Includes 3 function handset & PVC shower hose



MP

Adjustable Slide Rail Kit Chrome

Code	£ Ex VAT	£ Inc VAT
93.0046	62.00	74.40

Pressure MP (0.5 bar minimum)

- Height 640mm
- Stainless steel rail construction
- Includes 3 function handset & shower hose
- Chrome finish



LP1

Linear Slide Rail Kit Chrome

Code	£ Ex VAT	£ Inc VAT
93.0044	72.00	86.40

Pressure LP1 (0.1 bar minimum)

- Height 600mm
- Stainless steel rail construction
- Includes single function handset, shower hose & outlet elbow
- Chrome finish



MP

Curved Sliding Riser Kit

Code	£ Ex VAT	£ Inc VAT
97.0002	76.00	91.20

Pressure MP (0.5 bar minimum)

- Height 540mm
- Includes 5 function handset, shower hose & outlet elbow
- Chrome finish



Soap Holder for Slide Rail 93.0046

Description	Code	£ Ex VAT	£ Inc VAT
Soap Holder for Slide Rail 93.0046	93.0070	14.00	16.80

Only compatible with: 93.0046



Soap Holder for Slide Rail 93.0099

Description	Code	£ Ex VAT	£ Inc VAT
Soap Holder for Slide Rail 93.0099	93.0098	15.00	18.00

Only compatible with 93.0099



Soap Holder for Slide Rail 93.0044 Chrome

Description	Code	£ Ex VAT	£ Inc VAT
Soap Holder for Slide Rail 93.0044 Chrome	93.0047	14.00	16.80

Only compatible with: 93.0044

Shower Panels

ARDOUR SHOWER PANEL


HP1
LP1 - 0.1 bar minimum

HP1.5 - 1.5 bar minimum

MP - 0.5 bar minimum

HP2 - 2 bar minimum

HP1 - 1 bar minimum

Ardour Shower Panel

Description	Code	£ Ex VAT	£ Inc VAT
Ardour Shower Panel - Black	80.0004	351.00	421.20

Pressure HP1

- Height 1500mm
- Includes thermostatic valve
- Easy installation
- Includes square body jets, fixed head & round flexible handset

Shower Panels

DERWENT SHOWER PANEL



HP1

Derwent Shower Panel			
Description	Code	£ Ex VAT	£ Inc VAT
Derwent Shower Panel - Black	80.0003	347.00	416.40
Pressure	HP1		
Height	1500mm		

FEATURES

- Includes thermostatic valve
- Easy installation
- Includes round body jets, fixed head & round flexible handset

- LP1** - 0.1 bar minimum
- MP** - 0.5 bar minimum
- HP1** - 1 bar minimum
- HP1.5** - 1.5 bar minimum
- HP2** - 2 bar minimum

Shower Panels

CONWAY SHOWER PANEL

"THE ULTIMATE LUXURY
IN SHOWERING"



Conway Shower Panel

Description	Code	£ Ex VAT	£ Inc VAT
Conway Shower Panel	80.0002	365.00	438.00
Pressure	HP1		
Height	1600mm		

FEATURES

- Brushed stainless steel
- Includes thermostatic valve
- Easy installation
- Includes built-in body jets, fixed head & flexible handset

LP1 - 0.1 bar minimum

MP - 0.5 bar minimum

HP1 - 1 bar minimum

HP1.5 - 1.5 bar minimum

HP2 - 2 bar minimum

HP1

Rail Kits & Accessories

RAIL KITS



Curved X Slide Rail Kit

Description	Code	£ Ex VAT	£ Inc VAT
Curved X Slide Rail Kit	78.0015	164.00	196.80

- Height 800mm
- Solid brass construction
- Chrome finish



Curved Mini Slide Rail Kit

Description	Code	£ Ex VAT	£ Inc VAT
Curved Mini Slide Rail Kit	78.0016	90.00	108.00

- Height 680mm
- Stainless steel & brass construction
- Chrome finish



Rectangular Mini Slide Rail Kit

Description	Code	£ Ex VAT	£ Inc VAT
Rectangular Mini Slide Rail Kit	78.0017	60.00	72.00

- Height 685mm
- Chrome finish



Rectangular X Slide Rail Kit

Description	Code	£ Ex VAT	£ Inc VAT
Rectangular X Slide Rail Kit	78.0018	90.00	108.00

- Height 700mm
- Stainless steel & brass construction
- Chrome finish



93.0069



93.0061



Traditional Slide Rail Kit Chrome

Description	Code	£ Ex VAT	£ Inc VAT
Traditional Slide Rail Kit only Chrome	93.0048	116.00	139.20

- Height 600mm
- Solid brass construction
- Chrome finish

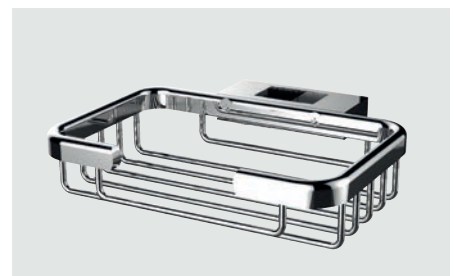
Description	Code	£ Ex VAT	£ Inc VAT
Traditional Shower Handset	93.0069	31.00	37.20
1.5m Shower Flexible Hose - 8mm Bore	93.0061	15.00	18.00



Soap Holder

Description	Code	£ Ex VAT	£ Inc VAT
Soap Holder	78.0036	14.00	16.80

- Only compatible with: 78.0016, 78.0017 & 78.0018



Soap Holder Chrome

Description	Code	£ Ex VAT	£ Inc VAT
Soap Holder Chrome	78.0041	49.00	58.80

- Only compatible with: 78.0016, 78.0017 & 78.0018

Stratford Riser Kits

STRATFORD TRADITIONAL RISER KITS



Adjustable distance from wall. Suitable to be fitted with all 68 code exposed shower valves. The above applies for 68.0057 & 68.0058.

Stratford Traditional Riser Kit

Description	Code	£ Ex VAT	£ Inc VAT
Stratford Traditional Riser Kit	68.0057	134.00	160.80

- Adjustable height 843-1163mm
- Solid brass construction
- Chrome finish



Stratford Traditional Riser Kit with Diverter & Shower Kit

Description	Code	£ Ex VAT	£ Inc VAT
Stratford Traditional Riser Kit with Diverter & Shower Kit	68.0058	318.00	381.60

- Adjustable height 1041-1361mm
- Solid brass construction
- Chrome/white finish







Please choose your shower valve and shower head below:

Compatible Shower Valves	Page Number	Compatible Shower Valves	Page Number	Compatible Shower Valves	Page Number
68.0018	826	68.0049	826	98.0009	850
68.0047	827	68.0051	824	98.0027	850
68.0048	827				

Shower Handsets

SHOWER HANDSETS

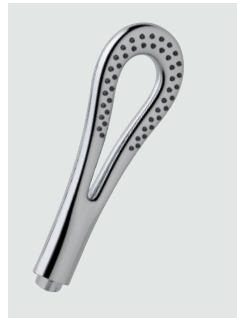
SPRAY TYPES

-  Full Spray
-  Massage
-  Spray/Massage
-  Spray/Misty
-  Oxygenic
-  Misty
-  Dot Massage
-  Water Saving Drizzle
-  Strong Spray
-  Spray/Dot Massage



Minimalist Square Handset		
Code	£ Ex VAT	£ Inc VAT
98.0016	15.00	18.00

- Single function
- Chrome finish



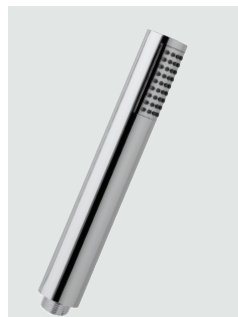
Needle Shower Handset		
Code	£ Ex VAT	£ Inc VAT
97.0018	17.00	20.40

- Single function
- Chrome finish



Type 85 Shower Handset		
Code	£ Ex VAT	£ Inc VAT
97.0011	22.00	26.40

- Single function
- Chrome finish



Type 35 Shower Handset		
Code	£ Ex VAT	£ Inc VAT
97.0021	14.00	16.80

- Single function
- Chrome finish



Type 45 Shower Handset		
Code	£ Ex VAT	£ Inc VAT
97.0023	17.00	20.40

- Single function
- Chrome finish



Type 40 Shower Handset		
Code	£ Ex VAT	£ Inc VAT
97.0022	14.00	16.80

- Single function
- Chrome finish



78.0040



78.0040



Round Shower Handset		
Code	£ Ex VAT	£ Inc VAT
78.0040	54.00	64.80

- Solid brass construction,
- Chrome finish
- 2 functions



Type 50 Shower Handset		
Code	£ Ex VAT	£ Inc VAT
97.0024	16.00	19.20

- Single function
- Chrome finish



NEW



* Available February 2023

Modern Round Shower Handset		
Code	£ Ex VAT	£ Inc VAT
60.1031	10.00	12.00

- Single function
- Chrome finish



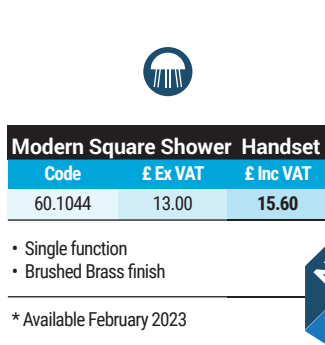
NEW



Modern Round Shower Handset		
Code	£ Ex VAT	£ Inc VAT
60.1024	12.00	14.40

- Single function
- Brushed Brass finish

* Available February 2023



Modern Square Shower Handset		
Code	£ Ex VAT	£ Inc VAT
60.1044	13.00	15.60

- Single function
- Brushed Brass finish

* Available February 2023



NEW

Shower Handsets

SHOWER HANDSETS

SPRAY TYPES

-  Full Spray
-  Massage
-  Spray/Massage
-  Spray/Misty
-  Oxygenic
-  Misty
-  Dot Massage
-  Water Saving Drizzle
-  Strong Spray
-  Spray/Dot Massage



Type 15 Shower Handset		
Code	£ Ex VAT	£ Inc VAT
97.0013	19.00	22.80

- 5 functions
- Chrome finish



Type 60 Shower Handset		
Code	£ Ex VAT	£ Inc VAT
97.0009	20.00	24.00

- 5 functions
- Chrome finish



Type 65 Shower Handset		
Code	£ Ex VAT	£ Inc VAT
97.0016	21.00	25.20

- 5 functions
- Chrome finish



Type 70 Shower Handset		
Code	£ Ex VAT	£ Inc VAT
97.0017	26.00	31.20

- 3 functions
- Chrome finish



Type 75 Shower Handset		
Code	£ Ex VAT	£ Inc VAT
97.0020	27.00	32.40

- 4 functions
- Chrome finish



Type 80 Shower Handset		
Code	£ Ex VAT	£ Inc VAT
97.0019	19.00	22.80

- Single function
- Chrome finish



Traditional Type 10 Shower Handset		
Code	£ Ex VAT	£ Inc VAT
98.0015	26.00	31.20

- Single function
- White & chrome finish
- Traditional design



Round Shower Handset		
Code	£ Ex VAT	£ Inc VAT
78.0039	26.00	31.20

- Solid brass construction
- Single function
- Chrome finish



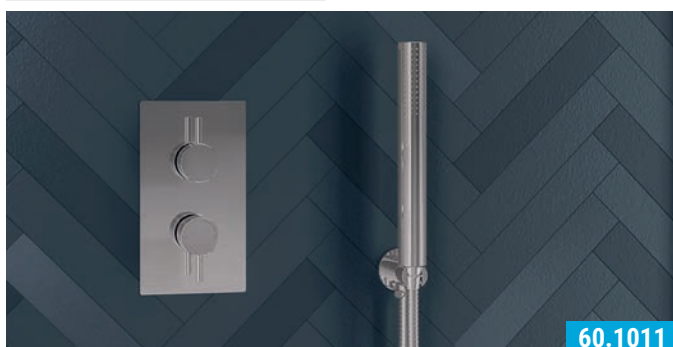
Traditional Shower Handset		
Code	£ Ex VAT	£ Inc VAT
93.0069	31.00	37.20

- Single function
- White & chrome finish
- Traditional design



Type 90 Shower Handset		
Code	£ Ex VAT	£ Inc VAT
78.0037	98.00	117.60

- Single function
- Brass construction, white & chrome finish
- Ultra thin design



60.1011

Modern Round Shower Handset		
Code	£ Ex VAT	£ Inc VAT
60.1011	8.00	9.60

- Single function
- Chrome finish



* Available February 2023



Shower Handsets & Hoses

SHOWER HAND SET

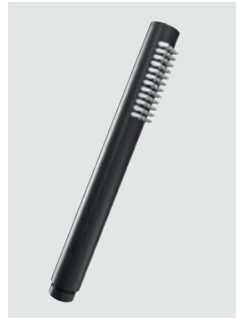
SPRAY TYPES

-  Full Spray
-  Massage
-  Spray/Massage
-  Spray/Misty
-  Oxygenic
-  Misty
-  Dot Massage
-  Water Saving Drizzle
-  Strong Spray
-  Spray/Dot Massage



Type 15 Shower Handset Matt Smooth Black			
Code	£ Ex VAT	£ Inc VAT	
78.0054	49.00	58.80	

- Single function
- Matt smooth black finish
- Solid brass construction



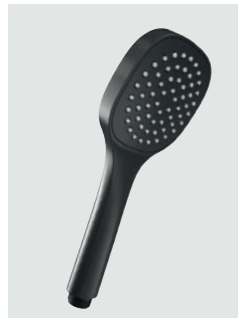
Type 20 Shower Handset Matt Smooth Black			
Code	£ Ex VAT	£ Inc VAT	
78.0055	44.00	52.80	

- Single function
- Matt smooth black finish
- Solid brass construction



Type 95 Shower Handset Matt Smooth Black			
Code	£ Ex VAT	£ Inc VAT	
78.0051	24.00	28.80	

- Single function
- Matt smooth black finish



Type 100 Shower Handset Matt Smooth Black			
Code	£ Ex VAT	£ Inc VAT	
78.0052	21.00	25.20	

- Single function
- Matt smooth black finish



Modern Round shower Handset Matt Black			
Code	£ Ex VAT	£ Inc VAT	
60.1017	11.00	13.20	

- Single function
- Matt smooth black finish



Modern Square shower Handset Matt Black			
Code	£ Ex VAT	£ Inc VAT	
60.1037	12.00	14.40	

- Single function
- Matt smooth black finish

* Available February 2023

* Available February 2023

FLEXIBLE SHOWER HOSES

Flexible Shower Hoses			
Description	Code	£ Ex VAT	£ Inc VAT
1.5m Shower Flexible Hose - 8mm Bore	93.0061	15.00	18.00
2m Shower Flexible Hose - 8mm Bore	93.0062	15.00	18.00
1.5m Shower Flexible Hose - 10mm Bore	93.0063	19.00	22.80
2m Shower Flexible Hose - 10mm Bore	93.0064	20.00	24.00
1.5m PVC Shower Hose Matt Smooth Black - 6mm Bore	93.0102	19.00	22.80



93.0061 & 93.0063
8mm & 10mm Bore



60.1013 8mm bore

Flexible Shower Hoses			
Description	Code	£ Ex VAT	£ Inc VAT
1.5m PVC Shower Hose Matt Smooth Black - 6mm Bore	93.0102	19.00	22.80
2m PVC Shower Hose Matt Smooth Black - 6mm Bore	93.0103	21.00	25.20
1.5m Modern Flexible Shower Hose - Chrome - 8mm Bore	60.1013	8.00	9.60
1.5m Modern Flexible Shower Hose - Matt Black - 8mm Bore	60.1019	10.00	12.00
1.5m Modern Flexible Shower Hose - Brushed Brass - 8mm Bore	60.1026	10.00	12.00



93.0102 6mm bore



60.1019 8mm bore



93.0062 & 93.0064
8mm & 10mm Bore



93.0103 6mm bore



60.1026 8mm bore

Wall & Ceiling Mounted Showers

Waterfall Shower Ceiling Mounted - Single

Stainless steel ceiling-mounted shower with rainfall and waterfall features.

Description	Code	£ Ex VAT	£ Inc VAT
Waterfall Shower Ceiling Mounted - Single	78.0029	860.00	1032.00

FEATURES

- Stainless steel construction
- Flush ceiling fitting
- Single waterfall outlet
- Rainfall outlet

CEILING MOUNTED WATERFALL SHOWERS



HP1.5

Waterfall Shower Ceiling Mounted - Double

Description	Code	£ Ex VAT	£ Inc VAT
Waterfall Shower Ceiling Mounted - Double	78.0030	924.00	1108.80

FEATURES

- Stainless steel construction
- Flush ceiling fitting
- Double waterfall outlet
- Rainfall outlet

Requires fixing to a substantial fixing point.
Requires a diverter shower valve.



78.0030

Wall-mounted shower with waterfall Stainless

Stainless steel wall-mounted double outlet shower heads with rainfall and waterfall features.

Description	Code	£ Ex VAT	£ Inc VAT
Wall-mounted shower with waterfall	78.0007	629.00	754.80



HP1.5

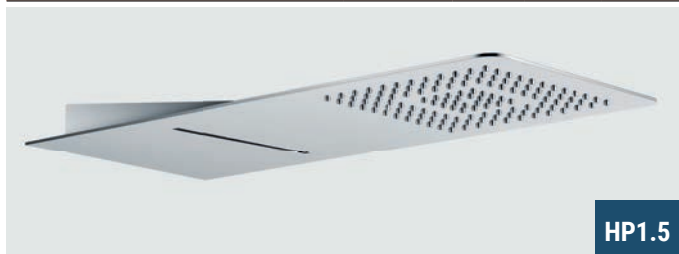
Wall-mounted shower with waterfall Stainless

Description	Code	£ Ex VAT	£ Inc VAT
Wall-mounted shower with waterfall	78.0006	610.00	732.00

FEATURES

- Stainless steel construction
- Wall mounted
- Waterfall outlet
- Rainfall outlet

Requires fixing to a substantial fixing point.
Requires a diverter shower valve.



HP1.5

WALL MOUNTED WATERFALL SHOWERS



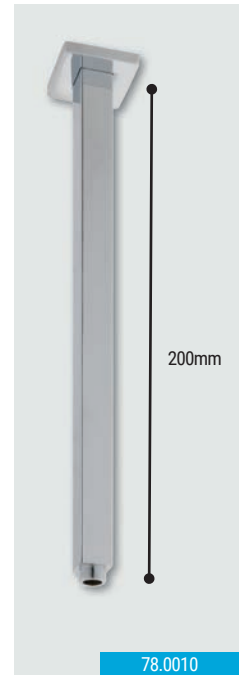
78.0006

HP1.5 - 1.5 bar minimum

Shower Arms

CEILING MOUNTED SHOWER ARMS

Ceiling Mounted Shower Arms			
Description	Code	£ Ex VAT	£ Inc VAT
Round Shower Arm 160mm Chrome	93.0114	26.00	31.20
Round Shower Arm 160mm Matt Smooth Black	93.0115	29.00	34.80
Square Shower Arm 200mm Chrome	78.0010	37.00	44.40
Round Shower Arm 200mm Chrome	78.0011	29.00	34.80
Round Shower Arm 200mm Matt Smooth Black	78.0045	35.00	42.00

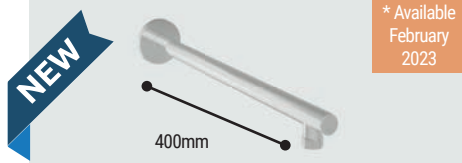


WALL MOUNTED SHOWER ARMS



Modern Round Fixed Over Head Shower			
Description	Code	£ Ex VAT	£ Inc VAT
Modern Round Fixed over Head Shower Arm Brushed Brass	60.1021	19.00	22.80

- Outlet to wall 400mm
- Stainless Steel Material, brushed brass finish



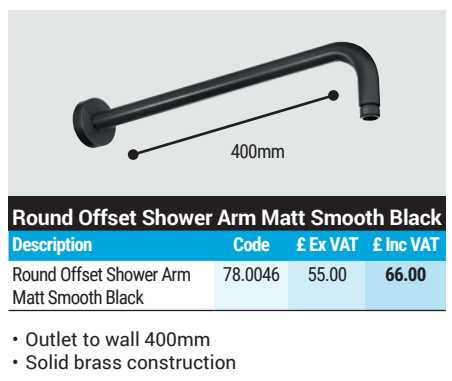
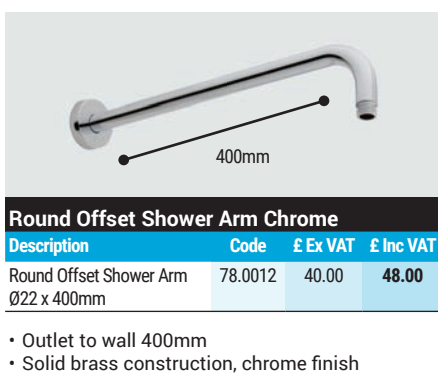
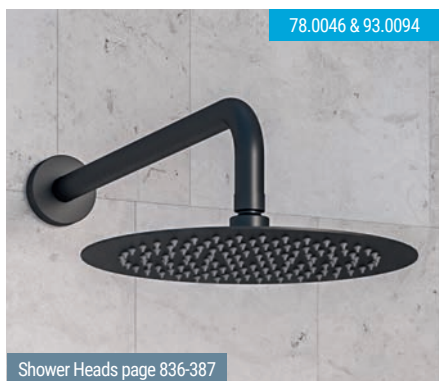
Modern Round Fixed Over Head Shower			
Description	Code	£ Ex VAT	£ Inc VAT
Modern Round Fixed over Head Shower Arm Chrome	60.1007	17.00	20.40

- Outlet to wall 400mm
- Stainless Steel Material, chrome finish



Modern Round Fixed Over Head Shower			
Description	Code	£ Ex VAT	£ Inc VAT
Modern Round Fixed over Head Shower Arm Matt Black	60.1014	18.00	21.60

- Outlet to wall 400mm
- Stainless Steel Material, matt black finish



Shower Arms

WALL MOUNTED SHOWER ARMS

78.0020 & 78.0005



Shower Heads page 848-850



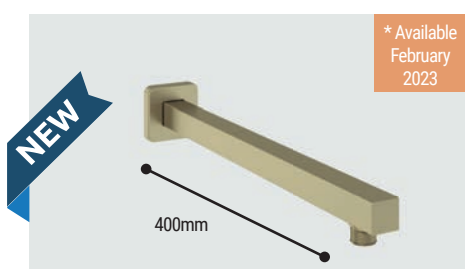
Square X Shower Arm			
Description	Code	£ Ex VAT	£ Inc VAT
Square X Shower Arm	78.0019	119.00	142.80

- Outlet to wall 370mm
- Solid brass construction, chrome finish



Square Wall Arm			
Description	Code	£ Ex VAT	£ Inc VAT
Square Wall Arm	78.0020	88.00	105.60

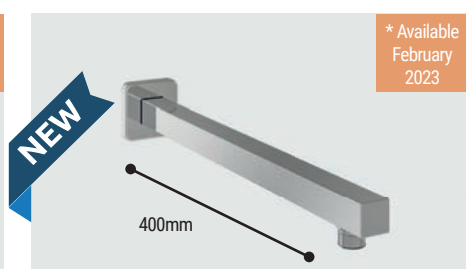
- Outlet to wall 360mm
- Solid brass construction



* Available February 2023

Modern Square Fixed Over Head Shower Arm			
Description	Code	£ Ex VAT	£ Inc VAT
Square Wall Arm	60.1041	24.00	28.80

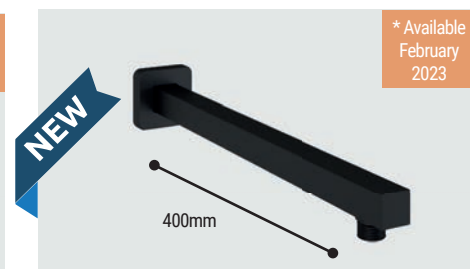
- Outlet to wall 400mm
- Stainless Steel construction, brushed brass



* Available February 2023

Modern Square Fixed Over Head Shower Arm			
Description	Code	£ Ex VAT	£ Inc VAT
Modern Square Wall Arm	60.1027	21.00	25.20

- Outlet to wall 400mm
- Stainless Steel construction, chrome finish



* Available February 2023

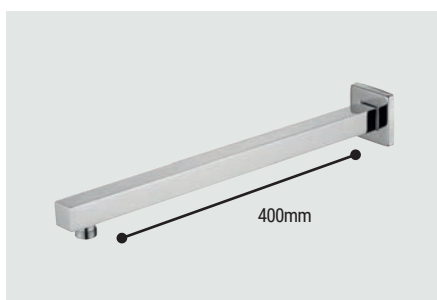
Modern Square Fixed Over Head Shower Arm			
Description	Code	£ Ex VAT	£ Inc VAT
Square Wall Arm	60.1034	22.00	26.40

- Outlet to wall 400mm
- Stainless Steel construction, matt black finish



Square L Shower Arm Matt Smooth Black			
Description	Code	£ Ex VAT	£ Inc VAT
Square L Shower Arm	78.0047	139.00	166.80

- Outlet to wall 360mm
- Solid brass construction



Square Wall Arm			
Description	Code	£ Ex VAT	£ Inc VAT
Square Wall Arm	78.0021	65.00	78.00

- Outlet to wall 400mm
- Solid brass construction, chrome finish



Square Wall Mounted Arm 200mm			
Description	Code	£ Ex VAT	£ Inc VAT
Square Wall Mounted Arm	98.0023	36.00	43.20

- Outlet to wall 200mm
- Solid brass construction, chrome finish



Shower Arm			
Description	Code	£ Ex VAT	£ Inc VAT
Shower Arm	98.0026	59.00	70.80

- Outlet to wall 172mm
- Solid brass construction, chrome finish



Swivel Shower Arm Chrome			
Description	Code	£ Ex VAT	£ Inc VAT
Swivel Shower Arm Chrome	93.0101	68.00	81.60

- Solid brass construction, chrome finish
- Outlet to wall 402mm

Choose your shower arm from above and then see pages 848-850 for compatible shower heads.



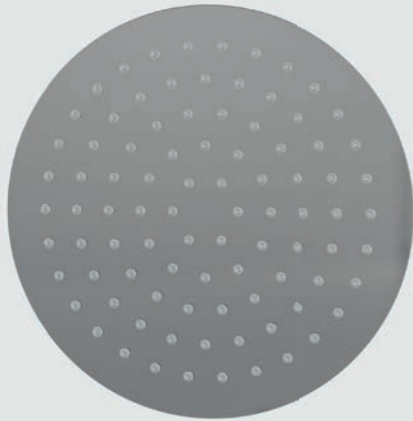
93.0101 & 98.0009

Shower Heads

SHOWER HEADS - CHROME

NEW

* Available February 2023



ø200mm

* Available February 2023

60.1008

Shower Head Chrome Finish

Description	Code	£ Ex VAT	£ Inc VAT
8" Round shower head	78.0001	79.00	94.80
8" Square shower head	78.0003	86.00	103.20
8" Round Fixed Over Head Shower Head	60.1008	22.00	26.40
8" Square Fixed Over Head Shower Head	60.1028	22.00	26.40



ø200mm

78.0001

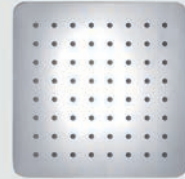


MP



200 x 200mm

78.0003



MP

NEW



200 x 200mm

60.1028

* Available February 2023



MP

FEATURES

- Stainless steel one piece construction
- Polished (chrome effect) finish
- Rainfall outlet
- 4mm thickness

Pressure

MP (0.5 bar minimum)

SHOWER HEADS - CHROME



Shower Heads Chrome Finish

Description	Code	£ Ex VAT	£ Inc VAT
12" Round shower head	78.0002	175.00	210.00
12" Square shower head	78.0004	194.00	232.80
8" x 12" Rectangle shower head	78.0005	151.00	181.20

FEATURES

- Stainless steel one piece construction
- Polished (chrome effect) finish
- Rainfall outlet
- 4mm thickness

Pressure

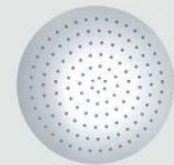
MP (0.5 bar minimum)



ø300mm



78.0002

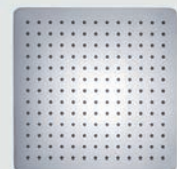


MP

300 x 300mm



78.0004



MP

300 x 200mm



78.0005

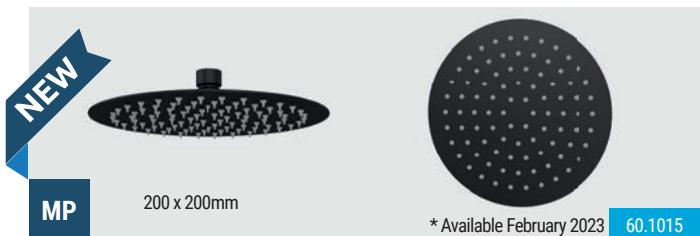
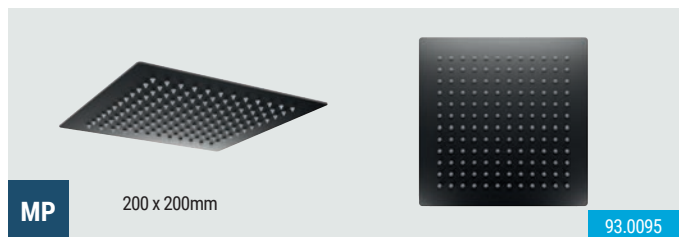
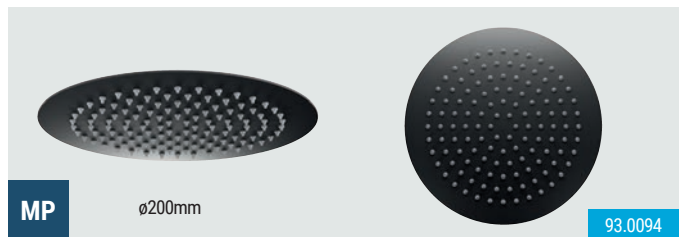


MP

MP

- 0.5 bar minimum

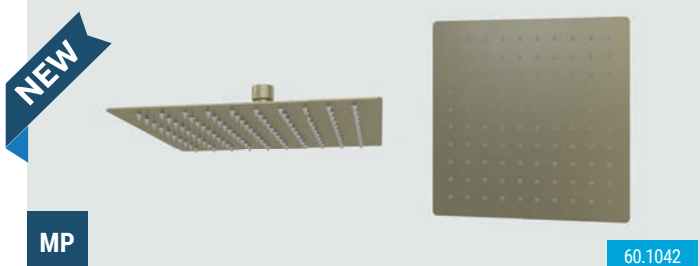
Shower Heads



FEATURES

- Brass construction
- Matt smooth black finish
- Rainfall outlet

Pressure MP (0.5 bar minimum)



Shower Heads Brushed Brass Finish

Description	Code	£ Ex VAT	£ Inc VAT
8" Round Fixed Over Head Shower Head - Brushed Brass	60.1022	28.00	33.60
8" Square Fixed Over Head Shower Head - Brushed Brass	60.1042	28.00	33.60

FEATURES

- PDV coated finish
- Brass construction
- Brushed Brass finish
- Rainfall outlet

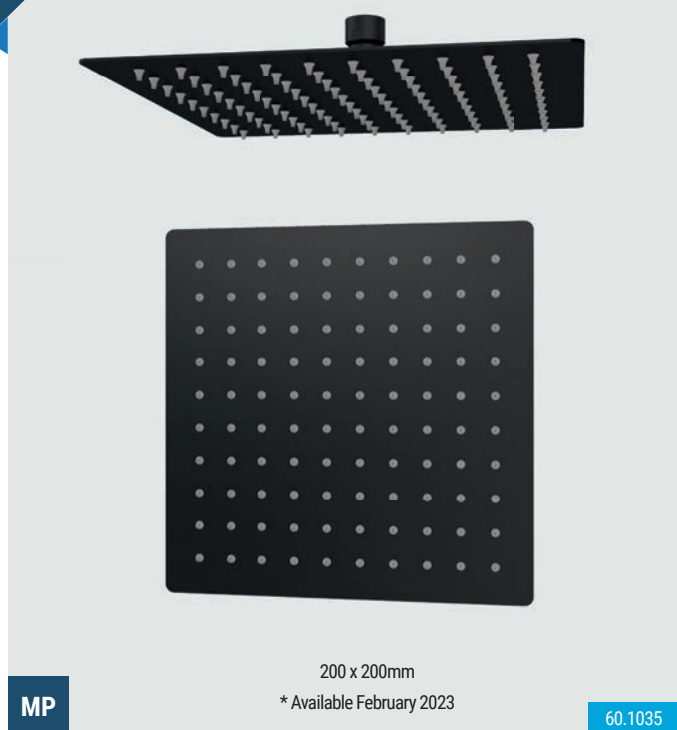
Pressure MP (0.5 bar minimum)

* Available February 2023

MP - 0.5 bar minimum

SHOWER HEADS - SMOOTH BLACK

* Available February 2023













Shower Head Smooth Black Finish			
Description	Code	£ Ex VAT	£ Inc VAT
8" Round Shower Head - Smooth Black	93.0094	80.00	96.00
8" Square Shower Head - Smooth Black	93.0095	86.00	103.20
8" Round Fixed Over Head Shower Head - Smooth Black	60.1015	24.00	28.80
8" Square Fixed Over Head Shower Head - Smooth Black	60.1035	26.00	31.20



Shower Heads

SHOWER HEADS

SPRAY TYPES

-  Full Spray
-  Massage
-  Spray/Massage
-  Spray/Misty
-  Oxygenic
-  Misty
-  Dot Massage
-  Water Saving Drizzle
-  Strong Spray
-  Spray/Dot Massage



Type 10 Shower Head		
Code	£ Ex VAT	£ Inc VAT
97.0010	18.00	21.60

- Chrome plated
- 5 functions



Type 15 Shower Head		
Code	£ Ex VAT	£ Inc VAT
97.0012	26.00	31.20

- Chrome plated
- 2 functions



Type 20 Shower Head		
Code	£ Ex VAT	£ Inc VAT
97.0014	18.00	21.60

- Chrome plated
- 5 functions



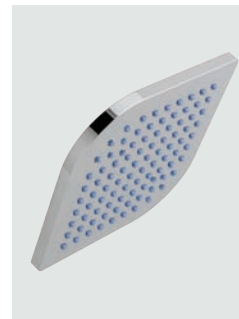
Type 25 Shower Head		
Code	£ Ex VAT	£ Inc VAT
97.0015	21.00	25.20

- Chrome plated
- 5 functions



Type 30 Shower Head		
Code	£ Ex VAT	£ Inc VAT
97.0025	31.00	37.20

- Chrome plated
- Single function / 9" shower head



Type 35 Shower Head		
Code	£ Ex VAT	£ Inc VAT
97.0026	57.00	68.40

- Chrome plated
- Single function / 10" shower head



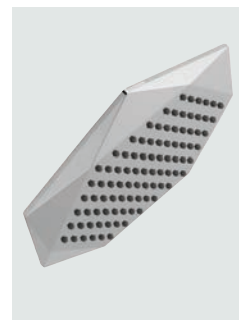
Traditional 8" Shower Rose & Arm Chrome		
Code	£ Ex VAT	£ Inc VAT
93.0051	42.00	50.40

- Includes shower arm, chrome finish



Type 45 Shower Head		
Code	£ Ex VAT	£ Inc VAT
97.0028	57.00	68.40

- Chrome plated
- 2 functions / 10" shower head



Type 40 Shower Head		
Code	£ Ex VAT	£ Inc VAT
97.0027	50.00	60.00

- Chrome plated
- Single function / 11" shower head



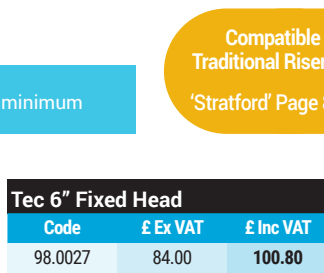
Compatible Traditional Riser Kit 'Stratford' Page 841

MP - 0.5 bar minimum

Compatible Traditional Riser Kit 'Stratford' Page 841

Tec 8" Fixed Head		
Code	£ Ex VAT	£ Inc VAT
98.0009	98.00	117.60

- Solid brass construction, chrome finish



Tec 6" Fixed Head		
Code	£ Ex VAT	£ Inc VAT
98.0027	84.00	100.80

- Solid brass construction, chrome finish



Body Jets & Shower Seats

BODY JETS



Body Jets: 78.0031 x6. Valve: 68.0004, 68.0024 & 68.0046 x3

Body Jets

Description	Code	£ Ex VAT	£ Inc VAT
Square Body Jet 2" Exposed	78.0031	32.00	38.40
Round Body Jet 2" Exposed	78.0032	31.00	37.20
Square Body Jet 5" Concealed	78.0033	83.00	99.60
Round Body Jet 5" Concealed	78.0034	77.00	92.40

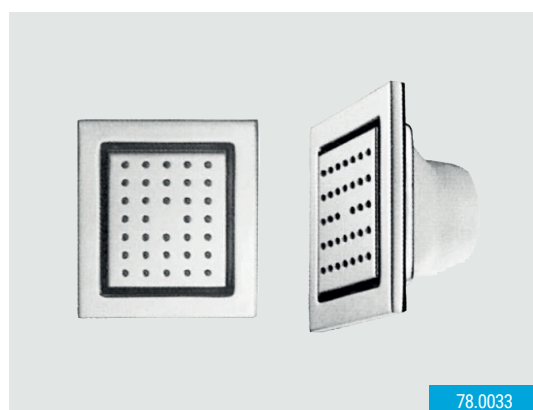
†While stocks last.

FEATURES

- Solid brass construction
- Chrome finish
- Single function
- 4mm thickness



78.0031



78.0033



78.0032



78.0034



41.3000

41.3000 Pressure reducing valve is suitable for water temperature up to 80°C and inlet pressures up to 16 bar. The outlet pressure can be adjusted between 1 bar and 6 bar. Typically these valves are used on the incoming water supply.

Pressure Reducing Valve

Description	Code	£ Ex VAT	£ Inc VAT
Pressure Reducing Valve 15mm x 15mm	41.3000	74.00	88.80

SHOWER SEAT



*Seat weight tolerance 15 stone

Shower Seat

Description	Code	£ Ex VAT	£ Inc VAT
Shower seat 500mm x 345mm	98.0021	300.00	360.00

FEATURES

- Solid wood seat

Elbows & Shower Handset Holder

ELBOWS & SHOWER HANDSET HOLDERS



Elbows				
Description	Colour	Code	£ Ex VAT	£ Inc VAT
Round Wall Elbow & ShowerHandset Holder	Chrome	60.1012	18.00	21.60
Square Wall Elbow & ShowerHandset Holder	Chrome	60.1032	19.00	22.80
Round Wall Elbow & ShowerHandset Holder	Matt Black	60.1018	20.00	24.00
Square Wall Elbow & ShowerHandset Holder	Matt Black	60.1038	20.00	24.00
Round Wall Elbow & ShowerHandset Holders	Brushed Brass	60.1025	20.00	24.00
Square Wall Elbow & ShowerHandset Holder	Brushed Brass	60.1045	21.00	25.20

- FEATURES**
- Solid brass construction

* Available February 2023

Outlet Elbows & Wall Brackets

OUTLET ELBOWS



97.0008



97.0007



93.0097



93.0096

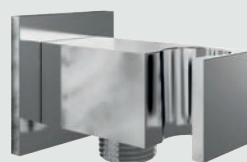
Outlet Elbows

Description	Code	£ Ex VAT	£ Inc VAT
Square Outlet Elbow Chrome finish	97.0008	29.00	34.80
Round Outlet Elbow Chrome finish	97.0007	22.00	26.40
Square Outlet Elbow Matt Smooth Black	93.0097	38.00	45.60
Round Outlet Elbow Matt Smooth Black	93.0096	35.00	42.00

FEATURES

- Solid brass construction

OUTLET ELBOWS WITH SHOWER BRACKETS



93.0104



93.0106



93.0105



93.0107

Outlet Elbow With Shower Brackets

Description	Code	£ Ex VAT	£ Inc VAT
Square Outlet Elbow with bracket Chrome finish	93.0104	36.00	43.20
Round Outlet Elbow with bracket Chrome finish	93.0106	29.00	34.80
Square Outlet Elbow Matt Smooth Black	93.0105	39.00	46.80
Round Outlet Elbow Matt Smooth Black	93.0107	35.00	42.00

FEATURES

- Solid brass construction

HANDSET WALL BRACKETS



Luxury Wall Bracket

Code	£ Ex VAT	£ Inc VAT
93.0058	11.00	13.20

- Chrome plated ABS



Square Shower Holder

Code	£ Ex VAT	£ Inc VAT
78.0024	31.00	37.20

- Chrome plated brass body



Round Shower Holder

Code	£ Ex VAT	£ Inc VAT
78.0025	28.00	33.60

- Chrome plated brass body



Oval Shower Holder

Code	£ Ex VAT	£ Inc VAT
78.0026	28.00	33.60

- Chrome plated brass body



Taps

The following range of taps cater for all tastes, making it easy to complete your perfect room.

Contents

Side valves & bath fillers	856 - 857
Prado range	858 - 866
Contemporary and modern taps	867 - 885
Traditional taps	886 - 892
Kitchen taps	893
Wastes, levers and accessories	894 - 895



Side Valves & Bath Fillers

Side Valves - Deck Mounted Only

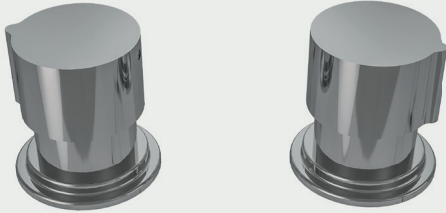
Description	Code	£ Ex VAT	£ Inc VAT
Valves with Braided Hose†	68.0040	124.00	148.80
Round Side Valve Handle**	68.0041	70.00	84.00
Square Side Valve Handle**	68.0042	90.00	108.00
Round Lever Side Valve Handle**	68.0043	68.00	81.60
Traditional Cross Handle Side Valve Handle**	68.0044	70.00	84.00
Traditional Lever Handle Side Valve Handle**	68.0045	81.00	97.20

** Must be fitted with 68.0040.

†To be fitted with 68.0041, 68.0042, 68.0043, 68.0044, 68.0045 only.

Ceramic disc technology.

MP



68.0041 + 68.0040

Deck mounted only

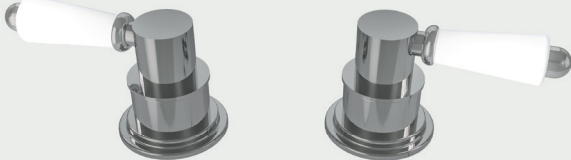
MP



68.0044 + 68.0040

Deck mounted only

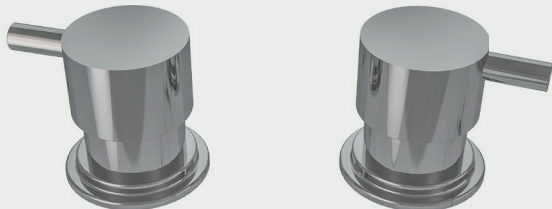
MP



68.0045 + 68.0040

Deck mounted only

MP



68.0043 + 68.0040

Deck mounted only

MP



68.0042 + 68.0040

Deck mounted only

Side Valves - Deck Or Wall Mounted

Description	Code	£ Ex VAT	£ Inc VAT
Prado Cylinder Side Valves* (Valve inc)	79.0039	109.00	130.80
Prado Star Side Valves* (Valve inc)	79.0049	113.00	135.60
Prado Lever Side Valves* (Valve inc)	79.0059	103.00	123.60

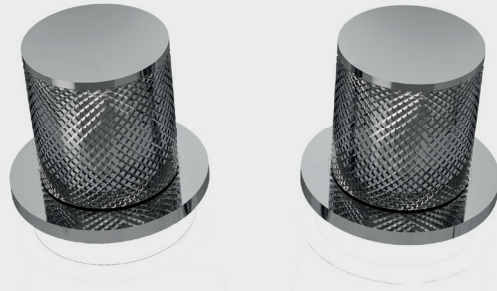
*Can be wall mounted or deck mounted. **Ceramic disc technology.**

Required minimum operating pressure key

MP

- 0.5 bar minimum

MP



79.0039

Deck or wall mounted

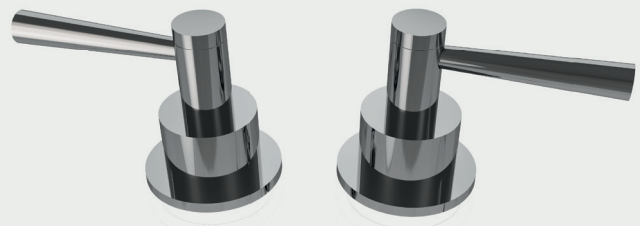
MP



79.0049

Deck or wall mounted

MP



79.0059

Deck or wall mounted

Side Valves & Bath Fillers

93.0035 Requires a shower or side valve



Bath Filler

Description	Code	£ Ex VAT	£ Inc VAT
Square Waterfall Bath Filler inc waste	93.0035	115.00	138.00

93.0036 Requires a shower or side valve



Bath Filler

Description	Code	£ Ex VAT	£ Inc VAT
Round Waterfall Bath Filler inc waste	93.0036	103.00	123.60

93.0037 Wall mounted bath filler
Requires a shower or side valve



MP

Bath Filler

Description	Code	£ Ex VAT	£ Inc VAT
Waterfall Bath Filler	93.0037	108.00	129.60

78.0028 Wall mounted bath filler
Requires a shower or side valve



Bath Filler

Description	Code	£ Ex VAT	£ Inc VAT
Waterfall Bath Spout	78.0028	74.00	88.80

78.0027 Wall mounted bath filler
Requires a shower or side valve



Bath Filler

Description	Code	£ Ex VAT	£ Inc VAT
Waterfall Bath Filler	78.0027	87.00	104.40

2.015 Requires a shower or side valve



Bath Filler

Description	Code	£ Ex VAT	£ Inc VAT
Shallow Profile Bath Filler	2.015	274.00	328.80

68.0039 Requires a shower or side valve



Bath Filler

Description	Code	£ Ex VAT	£ Inc VAT
Bath Filler & Waste	68.0039	200.00	240.00

Prado 600 Range

PRADO 600



Prado 600						
Description	Chrome	£ Ex VAT	£ Inc VAT	Black/Chrome	£ Ex VAT	£ Inc VAT
Prado 600 Basin Mono (inc Waste)	79.0066	115.00	138.00	79.0074†	128.00	153.60
Prado 600 High Flow 1TH Bath Filler	79.0068	146.00	175.20	79.0076†	153.00	183.60
Prado 600 Extended Mono Basin	79.0069	156.00	187.20	79.0077†	156.00	187.20
Prado 600 BSM (inc Kit)	79.0070	239.00	286.80	79.0078†	240.00	288.00
Prado 600 Bath Filler	79.0071	198.00	237.60	79.0079†	215.00	258.00
Prado 600 1/4 Turn Basin Taps	79.0072	134.00	160.80	79.0080†	141.00	169.20
Prado 600 1/4 Turn Bath Taps	79.0073	136.00	163.20	79.0081†	142.00	170.40

†While stocks last.

MP
Required minimum operating pressure key

- 0.5 bar minimum

LP1 - 0.1 bar minimum



Prado Star Range

PRADO STAR



Prado Star			
Description	Code	£ Ex VAT	£ Inc VAT
Prado Star Basin Mono Swivel Spout (inc Waste)	79.0040	125.00	150.00
Prado Star Bath Filler	79.0042	182.00	218.40
Prado Star BSM (inc Kit)**	79.0043	227.00	272.40
Prado Star 4 Hole Deck BSM	79.0044	230.00	276.00
Prado Star 3 Hole Deck Basin Mixer	79.0045	173.00	207.60
Prado Star 3 Hole Bath Filler	79.0046	173.00	207.60
Prado Star 3 Hole Wall Mounted Basin Mixer	79.0047	118.00	141.60
Prado Star 3 Hole Wall Mounted Bath Filler	79.0048	120.00	144.00
Prado Star Side Valves*	79.0049	113.00	135.60

*Can be wall mounted or deck mounted. Ceramic disc technology.
 **Wall brackets and slide rail kit sold separately.

Required minimum operating pressure key

MP - 0.5 bar minimum

For Overflow Fillers
see page 845



Wall or deck
mounted

Prado Cylinder Range

PRADO CYLINDER



79.0053

Prado Cylinder

Description	Code	£ Ex VAT	£ Inc VAT
Prado Cylinder Basin Mono (inc Waste)	79.0050	125.00	150.00
Prado Cylinder Bath Filler	79.0052	182.00	218.40
Prado Cylinder BSM (inc Kit)**	79.0053	227.00	272.40
Prado Cylinder 4 Hole Deck BSM	79.0054	230.00	276.00
Prado Cylinder 3 Hole Deck Basin Mixer	79.0055	173.00	207.60
Prado Cylinder 3 Hole Bath Filler	79.0056	173.00	207.60
Prado Cylinder 3 Hole Wall Mounted Basin Mixer	79.0057	118.00	141.60
Prado Cylinder 3 Hole Wall Mounted Bath Filler	79.0058	120.00	144.00
Prado Cylinder Side Valves*	79.0039	109.00	130.80

*Can be wall mounted or deck mounted. Ceramic disc technology.
 **Wall brackets and slide rail kit sold separately.

Required minimum operating pressure key

MP - 0.5 bar minimum

For Overflow Fillers
see page 857



MP

79.0050



MP

79.0052



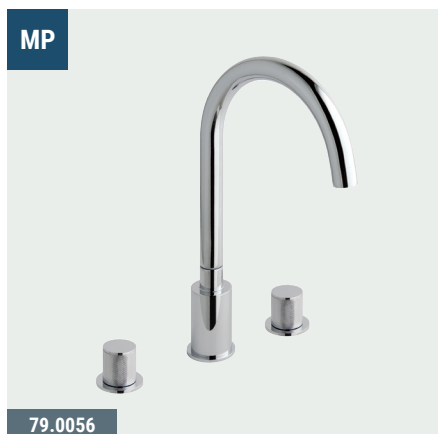
MP

79.0054



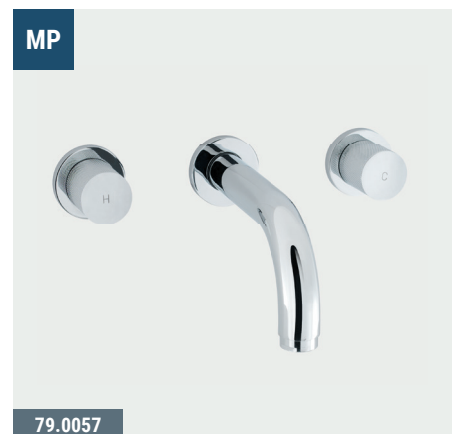
MP

79.0055



MP

79.0056



MP

79.0057



MP

79.0039

Wall or deck
mounted



MP

79.0058

Prado Lever Range

PRADO LEVER

Prado Lever

Description	Code	£ Ex VAT	£ Inc VAT
Prado Lever Basin Mono Swivel Spout (inc Waste)	79.0030	125.00	150.00
Prado Lever Bath Filler	79.0032	185.00	222.00
Prado Lever BSM (inc Kit)**	79.0033	228.00	273.60
Prado Lever 4 Hole Deck BSM	79.0034	235.00	282.00
Prado Lever 3 Hole Deck Basin Mixer	79.0035	189.00	226.80
Prado Lever 3 Hole Bath Filler	79.0036	189.00	226.80
Prado Lever 3 Hole Wall Mounted Basin Mixer	79.0037	125.00	150.00
Prado Lever 3 Hole Wall Mounted Bath Filler	79.0038	126.00	151.20
Prado Lever Side Valves*	79.0059	103.00	123.60

*Can be wall mounted or deck mounted. Ceramic disc technology.

**Wall brackets and slide rail kit sold separately.

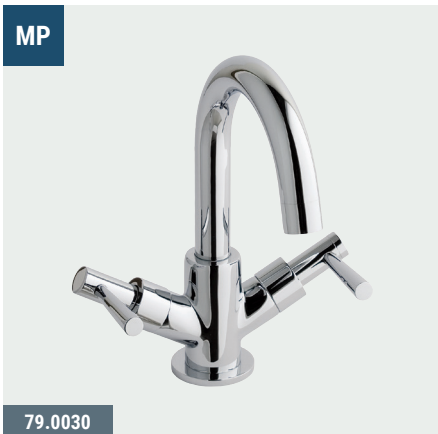
Required minimum operating pressure key

MP - 0.5 bar minimum

For Overflow Fillers
see page 857



79.0033



MP

79.0030



MP

79.0032



MP

79.0034



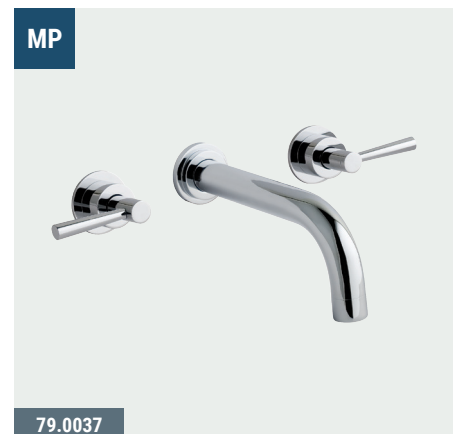
MP

79.0035



MP

79.0036



MP

79.0037



MP

79.0038



MP

79.0059

Wall or deck
mounted

Prado 500 Range

PRADO 500

LP1



79.0062

Bath filler delivers over 50 litres a minute at 3 bar supply

Prado 500

Description	Code	£ Ex VAT	£ Inc VAT
Prado 500 Basin Mono (inc Waste)	79.0060	91.00	109.20
Prado 500 1TH Bath Filler	79.0062	136.00	163.20
Prado 500 Extended Mono Basin	79.0063	113.00	135.60
Prado 500 BSM (inc Kit)	79.0064	197.00	236.40
Prado 500 Bath Filler*	79.0065	161.00	193.20

*Wall brackets and slide rail kit sold separately. Ceramic disc technology.

Pressure (bar) for 79.0062	Flow (litres/min) for 79.0062
0.1	9
0.5	18
1	29
2	43
3	51

Note: Pressure based on an open ended valve outlet without downstream resistance. Applies to bath filler only.

Required minimum operating pressure key

LP1 - 0.1 bar minimum

MP - 0.5 bar minimum

MP



79.0060

MP



79.0063

MP



79.0064

MP 



79.0065

Prado 650 & 580 Range

PRADO 650



56.2005

Prado 650

Description	Code	£ Ex VAT	£ Inc VAT
Prado 650 mono basin c/w click waste	56.2005	132.00	158.40
Prado 650 mono bidet c/w click waste	56.2006	132.00	158.40
Prado 650 high rise mono basin	56.2007	169.00	202.80
Prado 650 bath filler	56.2008	227.00	272.40
Prado 650 BSM inc kit*	56.2009	240.00	288.00
Minimalist square /Type 10 Shower Handset	98.0016	15.00	18.00

*Wall brackets sold separately. Ceramic disc technology.

Pressure (bar)	Flow (litres/min)	
	Bath Filler (56.2008)	BSM (56.2009)
0.1	4.8	4.6
0.5	10.1	9
1	15.6	14
2	22.5	20.4
3	28	25.4

Note: Pressure based on an open ended valve outlet without downstream resistance. Applies to bath filler only.

Required minimum operating pressure key

MP - 0.5 bar minimum



MP

56.2005



MP

56.2006



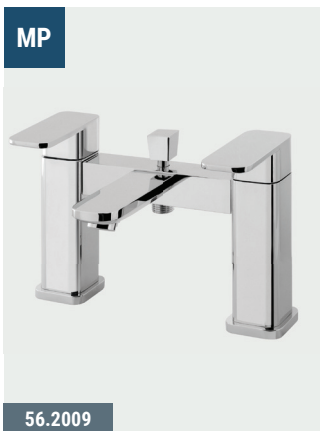
MP

56.2007



MP

56.2008



MP

56.2009



MP

98.0016

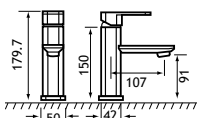
PRADO 580



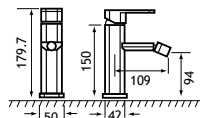
56.2027

Prado 580

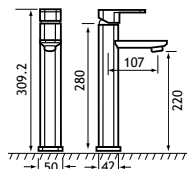
Description	Code	£ Ex VAT	£ Inc VAT
Prado 580 Mono Hi Flow Bath Filler Chrome	56.2027	235.00	282.00



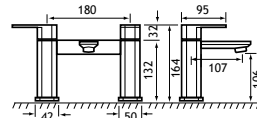
56.2005



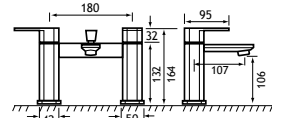
56.2006



56.2007



56.2008



56.2009

Prado 700 Range

PRADO 700



56.2010

Prado 700

Description	Code	£ Ex VAT	£ Inc VAT
Prado 700 mono basin c/w click waste	56.2010	131.00	157.20
Prado 700 mono bidet c/w click waste	56.2011	131.00	157.20
Prado 700 high rise mono basin	56.2012	171.00	205.20
Prado 700 bath filler	56.2013	204.00	244.80
Prado 700 BSM inc kit*	56.2014	216.00	259.20
Minimalist square /Type 10 Shower Handset	98.0016	15.00	18.00

*Wall brackets sold separately. Ceramic disc technology.

Required minimum operating pressure key

MP - 0.5 bar minimum

Pressure (bar)	Flow (litres/min)	
	Bath Filler (56.2013)	BSM (56.2014)
0.1	4.8	4.6
0.5	10.1	9
1	15.6	14
2	22.5	20.4



MP

56.2010



MP

56.2011



MP

56.2012



MP

56.2013



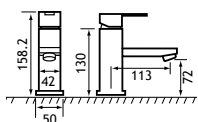
MP

56.2014

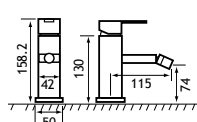


MP

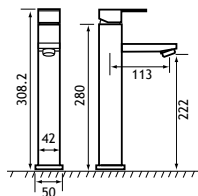
98.0016



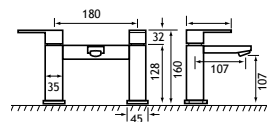
56.2010



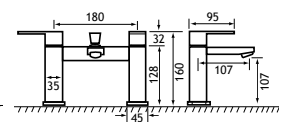
56.2011



56.2012



56.2013



56.2014

Prado 550 Range

PRADO 550



56.2000

Prado 550

Description	Code	£ Ex VAT	£ Inc VAT
Prado 550 mono basin c/w clicker waste	56.2000	116.00	139.20
Prado 550 mono bidet c/w clicker waste	56.2001	116.00	139.20
Prado 550 high rise mono basin	56.2002	131.00	157.20
Prado 550 bath filler	56.2003	169.00	202.80
Prado 550 BSM inc kit*	56.2004	176.00	211.20

*Wall brackets sold separately. Ceramic disc technology.

Required minimum operating pressure key

MP - 0.5 bar minimum

Pressure (bar)	Flow (litres/min)	
	Bath Filler (56.2003)	BSM (56.2004)
0.1	4.8	4.6
0.5	10.1	9
1	15.6	14
2	22.5	20.4



56.2000



56.2001



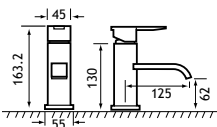
56.2002



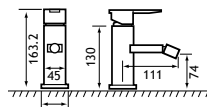
56.2003



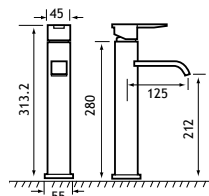
56.2004



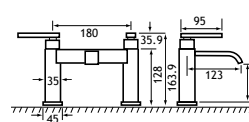
56.2000



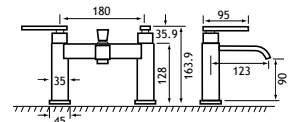
56.2001



56.2002



56.2003



56.2004

Prado 800

PRADO 800



56.2015

Prado 800

Description	Code	£ Ex VAT	£ Inc VAT
Prado 800 mono basin c/w click waste	56.2015	114.00	136.80
Prado 800 mono bidet c/w click waste	56.2016	114.00	136.80
Prado 800 high rise mono basin	56.2017	131.00	157.20
Prado 800 bath filler	56.2018	171.00	205.20
Prado 800 BSM inc kit*	56.2019	182.00	218.40

*Wall brackets sold separately. Ceramic disc technology.

Required minimum operating pressure key

LP1 - 0.1 bar minimum

MP - 0.5 bar minimum

LP2 - 0.2 bar minimum

HP1 - 1 bar minimum

MP



56.2015

BSM KIT



MP



56.2016

MP



56.2017

MP

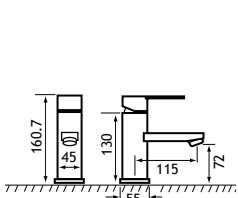


56.2018

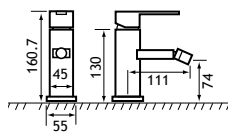
MP



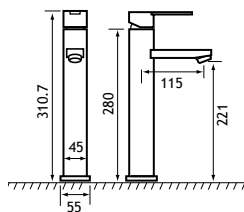
56.2019



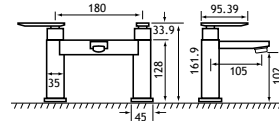
56.2015



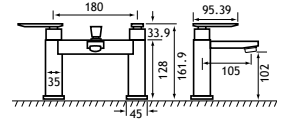
56.2016



56.2017



56.2018



56.2019

Prado 300 & Camborne Range

CAMBORNE

Camborne Basin Mono			
Description	Code	£ Ex VAT	£ Inc VAT
Camborne Basin Mono (inc waste)	93.0004	147.00	176.40
Camborne Bath Filler	93.0005	219.00	262.80
Camborne BSM inc kit	93.0006	249.00	298.80

Pressure (bar)	Flow (litres/min)		Note: Pressure based on an open ended valve outlet without downstream resistance.
	Bath Filler (93.0005)	BSM (93.0006)	
0.1	11.2	9.3	
0.5	22.9	19.5	
1	32.1	27.5	
2	45.3	39.2	
3	55.4	48.2	



93.0004



MP

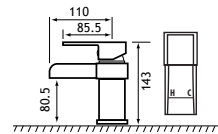
93.0004



MP

93.0005

Waterfall Tap



93.0004

Ceramic disc technology on all products within range.

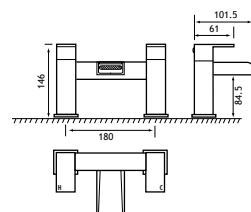
MP

- 0.5 bar minimum

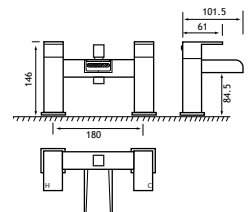


93.0006

Waterfall Tap



93.0005



93.0006

Falmouth Range

FALMOUTH

Falmouth Basin Mono

Description	Code	£ Ex VAT	£ Inc VAT
Falmouth Basin Mono (inc waste)	93.0001	151.00	181.20

HP1



93.0001

Falmouth Bath Filler

Description	Code	£ Ex VAT	£ Inc VAT
Falmouth wall mounted Bath Filler	93.0002	218.00	261.60

HP1



93.0002

Falmouth Wall Mounted BSM Kit

Description	Code	£ Ex VAT	£ Inc VAT
Falmouth wall mounted BSM inc kit	93.0003	244.00	292.80

HP1

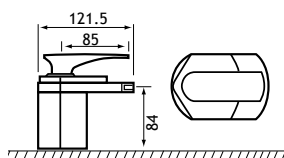


93.0003

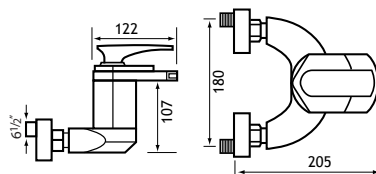


Pressure (bar)	Flow (litres/min)	
	Bath Filler (93.0002)	BSM (93.0003)
1	7.8	7.9
2	11	11.3
3	13.2	13.8

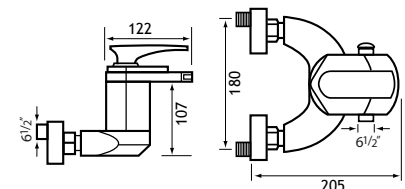
Note: Pressure based on an open ended valve outlet without downstream resistance.



93.0001



93.0002



93.0003

Biava Mini Range

BIAVA MINI

HP1



Very small mono basin tap ideal for small cloakrooms.

56.2052

Biava Mini

Description	Code	£ Ex VAT	£ Inc VAT
Biava Mini basin mono c/w clicker waste†	56.2052	115.00	138.00

†While stocks last.

Note: Minimum recommended pressure 1.0. Ceramic disc technology.

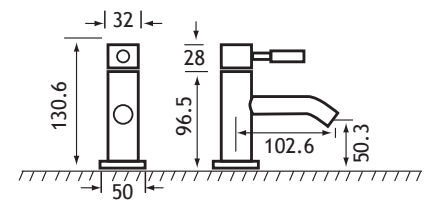
HP1



56.2052

Required minimum operating pressure key

- MP** - 0.5 bar minimum
- HP1** - 1 bar minimum



56.2052

Helston Range

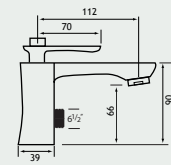
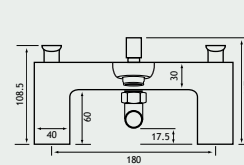
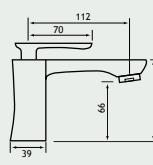
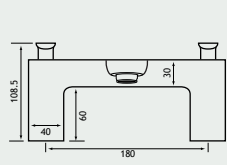
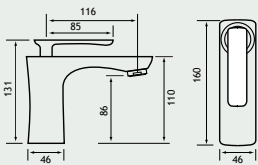


Pressure (bar)	(litres/min)	(litres/min)	(litres/min)
	Basin Mono	Bath Filler	BSM
0.5	6.4	8	7.7
1	8.8	11	10.7
2	12.1	15.3	14.9
3	14.8	18.7	18.1

Note: Pressure based on an open ended valve outlet without downstream resistance.

Ceramic disc technology on all products within range.

The Helston Tap range brings a modern and premium design to any bathroom. Available in three function styles, six colours options and three quality finishes, this collection has been tailored to coordinate your style choices.



Helston Basin Mono (White)

Description	Code	£ Ex VAT	£ Inc VAT
Helston Basin Mono Gloss White (inc waste)	93.0013	126.00	151.20
Helston Basin Mono Matt Smooth White (inc waste)	93.0072	126.00	151.20
Helston Basin Mono Matt Textured White (inc waste)	93.0073	126.00	151.20



Helston Basin Mono (Anthracite)

Description	Code	£ Ex VAT	£ Inc VAT
Helston Basin Mono Matt Smooth Anthracite (inc waste)	93.0016	126.00	151.20
Helston Basin Mono Gloss Anthracite (inc waste)	93.0074	126.00	151.20
Helston Basin Mono Matt Textured Anthracite (inc waste)	93.0075	126.00	151.20



Matt Smooth 93.0084
Helston Basin Mono (Cappuccino)

Description	Code	£ Ex VAT	£ Inc VAT
Helston Basin Mono Gloss Cappuccino (inc waste)	93.0083	137.00	164.40
Helston Basin Mono Matt Smooth Cappuccino (inc waste)	93.0084	137.00	164.40
Helston Basin Mono Matt Textured Cappuccino (inc waste)	93.0085	137.00	164.40



Matt Smooth 93.0081
Helston Basin Mono (Grey)

Description	Code	£ Ex VAT	£ Inc VAT
Helston Basin Mono Gloss Grey (inc waste)	93.0080	126.00	151.20
Helston Basin Mono Matt Smooth Grey (inc waste)	93.0081	126.00	151.20
Helston Basin Mono Matt Textured Grey (inc waste)	93.0082	126.00	151.20



Helston Basin Mono (Black)

Description	Code	£ Ex VAT	£ Inc VAT
Helston Basin Mono Matt Smooth Black (inc waste)	93.0019	126.00	151.20
Helston Basin Mono Matt Textured Black (inc waste)	93.0076	126.00	151.20
Helston Basin Mono Gloss Black (inc waste)	93.0079	126.00	151.20



Helston Basin Mono (Chrome)

Description	Code	£ Ex VAT	£ Inc VAT
Helston Basin Mono Chrome (inc waste)	93.0010	115.00	138.00

Helston Range



MP
Helston Bath Filler (White)

Description	Code	£ Ex VAT	£ Inc VAT
Helston Bath Filler Gloss White	93.0014	198.00	237.60



MP
Helston BSM Inc Kit (White)

Description	Code	£ Ex VAT	£ Inc VAT
Helston BSM inc kit Gloss White	93.0015	248.00	297.60

Shower Kit parts in Chrome only



MP
Gloss 93.0111

Helston BSM Inc Kit (Cappuccino)

Description	Code	£ Ex VAT	£ Inc VAT
Helston BSM (inc kit) Gloss Cappuccino	93.0111	248.00	297.60

Shower Kit parts in Chrome only



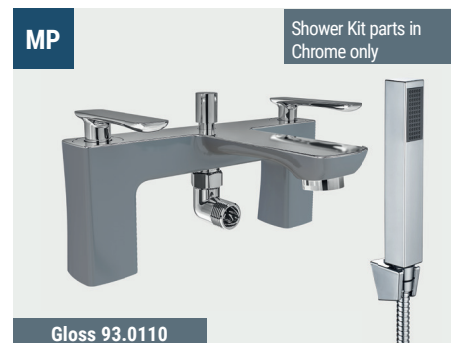
MP
Helston Bath Filler (Chrome)

Description	Code	£ Ex VAT	£ Inc VAT
Helston Bath Filler Chrome	93.0011	176.00	211.20



MP
Helston BSM Inc Kit (Chrome)

Description	Code	£ Ex VAT	£ Inc VAT
Helston BSM inc kit Chrome	93.0012	218.00	261.60



MP
Gloss 93.0110

Helston BSM Inc Kit (Grey)

Description	Code	£ Ex VAT	£ Inc VAT
Helston BSM (inc kit) Gloss Grey	93.0110	248.00	297.60

Shower Kit parts in Chrome only



MP
Helston Bath Filler (Anthracite)

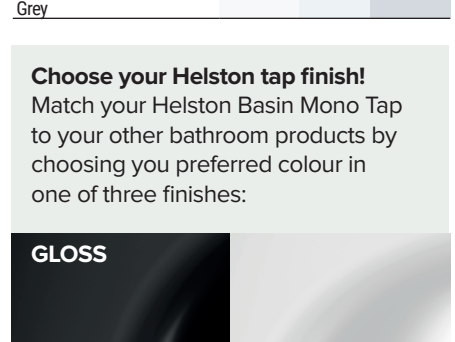
Description	Code	£ Ex VAT	£ Inc VAT
Helston Bath Filler Matt Smooth Anthracite	93.0017	198.00	237.60



MP
Helston BSM Inc Kit (Anthracite)

Description	Code	£ Ex VAT	£ Inc VAT
Helston BSM inc kit Matt Smooth Anthracite	93.0018	248.00	297.60
Helston BSM inc kit Gloss Anthracite	93.0109	248.00	297.60

Shower Kit parts in Chrome only



MP
Helston BSM Inc Kit (Black)

Description	Code	£ Ex VAT	£ Inc VAT
Helston BSM inc kit Matt Smooth Black	93.0021	248.00	297.60
Helston BSM inc kit Matt Textured Black	93.0078	248.00	297.60
Helston BSM inc kit Gloss Black	93.0108	248.00	297.60

Shower Kit parts in Chrome only



MP
Helston Bath Filler (Black)

Description	Code	£ Ex VAT	£ Inc VAT
Helston Bath Filler Matt Smooth Black	93.0020	198.00	237.60
Helston Bath Filler Matt Textured Black	93.0077	198.00	237.60

Choose your Helston tap finish!

Match your Helston Basin Mono Tap to your other bathroom products by choosing your preferred colour in one of three finishes:

GLOSS

MATT SMOOTH

MATT TEXTURED

Tec & Hayle Range

TEC

Tec Single Lever

Description	Code	£ Ex VAT	£ Inc VAT
Floor Standing Manual Mono BSM	93.0112	406.00	487.20
Floor Standing Thermostatic Mono BSM	93.0113	482.00	578.40
Wall Mounted Basin/Bath Filler	93.0041	129.00	154.80

Ceramic disc technology.

Pressure (bar)	Flow (litres/min)			
	93.0022	93.0041	93.0112	93.0113
1	7.3	7.2	9.3	9.1
2	10.2	9.9	13.0	13.4
3	12.3	12.2	15.9	16.8

HP1



93.0041

HP1



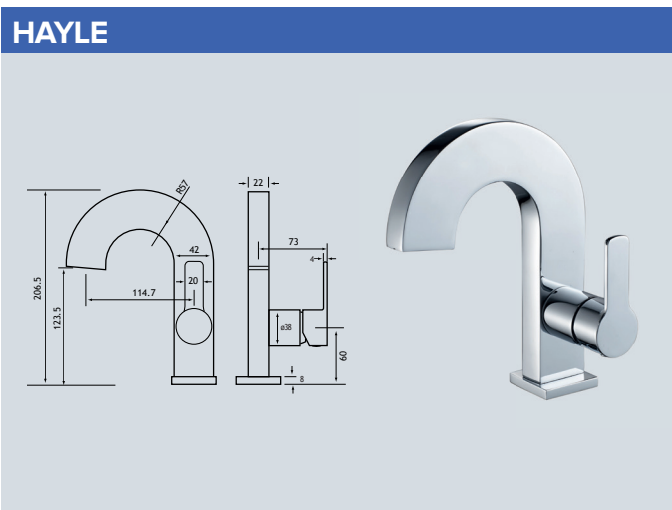
93.0112

HP1



93.0113

HAYLE



Hayle

Description	Code	£ Ex VAT	£ Inc VAT
Hayle Basin Mono (inc waste)	93.0022	137.00	164.40

Ceramic disc technology.

HP1



93.0022

Isbourne Range

ISBOURNE



93.0055



93.0057 (inc kit)

Isbourne

Description	Code	£ Ex VAT	£ Inc VAT
Isbourne Basin Mono (inc waste)	93.0055	65.00	78.00
Isbourne BSM inc kit	93.0057	109.00	130.80

Ceramic Disc Technology.

FEATURES

- Made from brass
- Ceramic disk technology

Required minimum operating pressure key

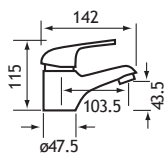
MP - 0.5 bar minimum

HP1 - 1 bar minimum

MP



93.0055

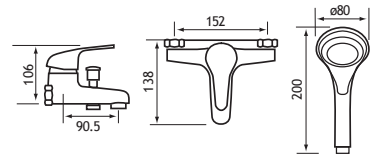


93.0055

MP



93.0057



93.0057

Walton Range

WALTON

MP



Walton			
Description	Code	£ Ex VAT	£ Inc VAT
Walton Basin Mono†	56.2053	201.00	241.20
Walton Bath Filler†	56.2054	315.00	378.00
Walton BSM inc kit†	56.2055	356.00	427.20
Minimalist square /Type 10 Shower Handset*	98.0016	15.00	18.00

Ceramic disc technology. *98.0016 square hand set as optional extra.
 **Wall brackets sold separately. †While stocks last.

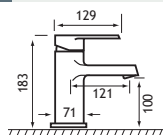
56.2053

Required minimum operating pressure key

MP - 0.5 bar minimum



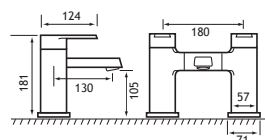
56.2053



56.2053



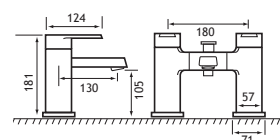
56.2054



56.2054



56.2055



56.2055



98.0016

Winchcombe Range

WINCHCOMBE



MP

Winchcombe			
Description	Code	£ Ex VAT	£ Inc VAT
Winchcombe Basin Mono†	56.2056	192.00	230.40
Winchcombe Bath Filler†	56.2057	259.00	310.80
Winchcombe BSM inc kit*†	56.2058	299.00	358.80

Ceramic disc technology. *Wall brackets and slide rail kit sold separately.
 †While stocks last.

56.2056

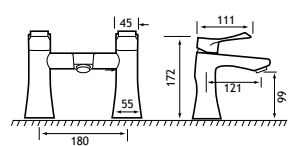


BSM KIT



MP

56.2057

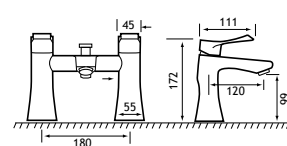


56.2057



MP

56.2058



56.2058

Westbourne Range

WESTBOURNE

MP



Westbourne

Description	Code	£ Ex VAT	£ Inc VAT
Westbourne Basin Mono†	56.2059	173.00	207.60
Westbourne BSM inc kit**†	56.2061	282.00	338.40

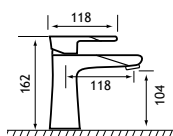
*Wall brackets sold separately. Ceramic disc technology. †While stocks last.

56.2059

MP



56.2059

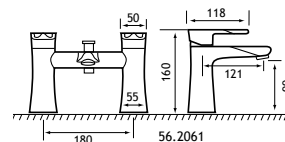


56.2059

MP



56.2061



56.2061

Wingrave Range

WINGRAVE



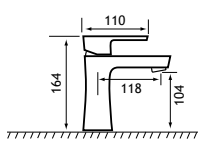
Wingrave			
Description	Code	£ Ex VAT	£ Inc VAT
Wingrave Basin Mono†	56.2062	190.00	228.00
Wingrave Bath Filler†	56.2063	271.00	325.20
Wingrave BSM inc kit*†	56.2064	311.00	373.20
Minimalist square /Type 10 Shower Handset**	98.0016	15.00	18.00

*Wall brackets sold separately. **98.0016 handset as optional extra.
Ceramic disc technology. †While stocks last.

56.2062



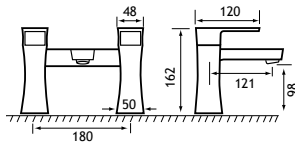
56.2062



56.2062



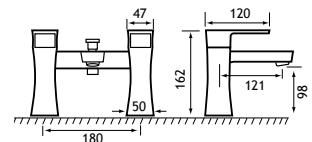
56.2063



56.2063



56.2064



56.2064



98.0016

Firth & Cortauld Range

FIRTH

Firth			
Description	Code	£ Ex VAT	£ Inc VAT
Firth BSM inc kit†	56.2050	253.00	303.60
Minimalist square /Type 10 Shower Handset**	98.0016	15.00	18.00

*Wall brackets sold separately. Ceramic disc technology.
 ** 98.0016 handset as optional extra. †While stocks last.

MP - 0.5 bar minimum

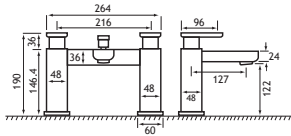
MP



56.2050



98.0016



56.2050

CORTAULD

MP



56.2040

Cortauld			
Description	Code	£ Ex VAT	£ Inc VAT
Cortauld mono basin c/w clicker waste	56.2040	167.00	200.40
Cortauld mono bidet c/w clicker waste	56.2041	167.00	200.40
Cortauld high rise mono basin c/w clicker waste	56.2042	197.00	236.40
Cortauld bath filler	56.2043	250.00	300.00
Cortauld BSM inc kit*	56.2044	262.00	314.40

*Wall brackets sold separately. Ceramic disc technology.

MP



56.2043

MP



56.2044

MP

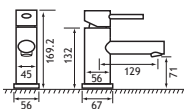


56.2041

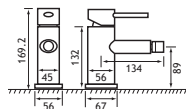
MP



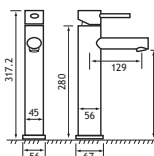
56.2042



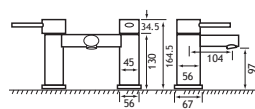
56.2040



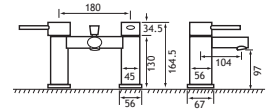
56.4041



56.2042



56.2043



56.2044

Estorick & Albermarle Range

ESTORICK

Estorick			
Description	Code	£ Ex VAT	£ Inc VAT
Estorick mono basin c/w clicker waste	56.2035	175.00	210.00
Estorick mono bidet c/w clicker waste	56.2036	175.00	210.00
Estorick high rise mono basin c/w clicker waste	56.2037	205.00	246.00
Estorick bath filler	56.2038	226.00	271.20
Estorick BSM inc kit*	56.2039	237.00	284.40

*Wall brackets sold separately. Ceramic disc technology.

With the high angle of discharge of this spout, customers with a high pressure supply may have to fit pressure reducing valves or partially close the isolating valves to ensure the discharge stays within smaller basins.



56.2035

Swivel spout

Pressure (bar)	Flow (litres/min)	
	Bath Filler (56.2038)	BSM (56.2039)
0.1	4.8	4.6
0.5	10.1	9
1	15.6	14
2	22.5	20.4

Required minimum operating pressure key

MP - 0.5 bar minimum



MP

56.2035



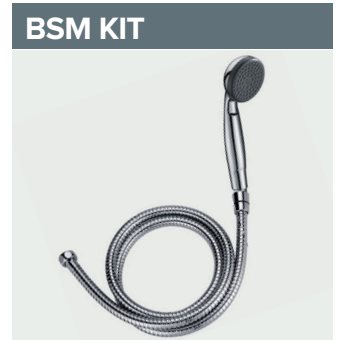
MP

56.2036



MP

56.2039



BSM KIT



MP

56.2037



MP

56.2038

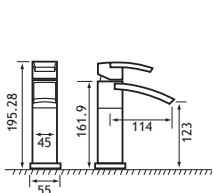
ALBERMARLE



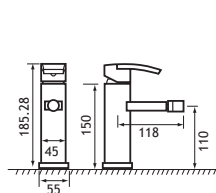
Albermarle

Description	Code	£ Ex VAT	£ Inc VAT
Albermarle bath filler	56.2051	286.00	343.20

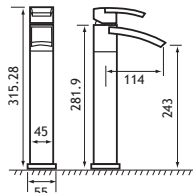
Ceramic disc technology.



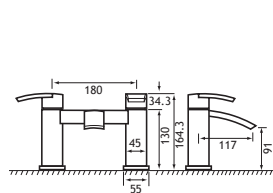
56.2035



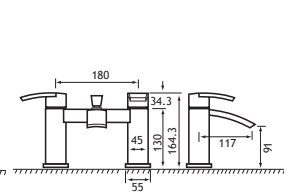
56.2036



56.2037



56.2038



56.2039

Winchester Range & Vivande Range

WINCHESTER

MP



56.2066

Winchester

Description	Code	£ Ex VAT	£ Inc VAT
Winchester Bath Filler†	56.2066	261.00	313.20
Winchester BSM inc kit*†	56.2067	299.00	358.80

*Wall brackets sold separately. Ceramic disc technology. †While stocks last.

VIVANDE

MP



56.2033

Vivande

Description	Code	£ Ex VAT	£ Inc VAT
Vivande bath filler†	56.2033	219.00	262.80
Vivande BSM inc kit*†	56.2034	251.00	301.20

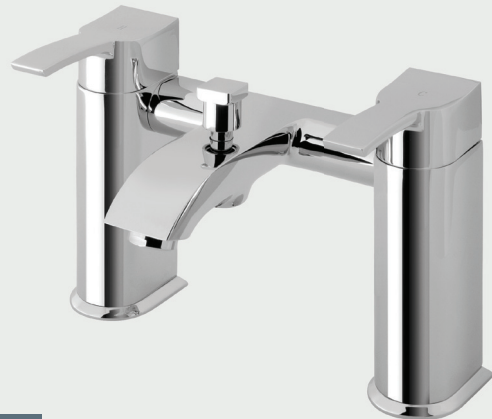
*Wall brackets sold separately. Ceramic disc technology. While Stocks Last†

MP

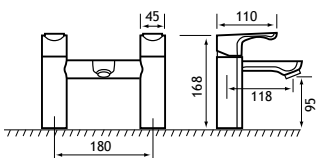


56.2067

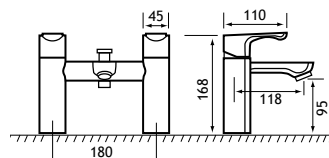
MP



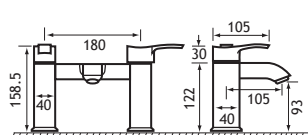
56.2034



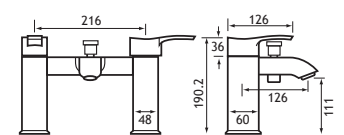
56.2066



56.2067



56.2033



56.2034

Diorama Range

DIORAMA



MP

56.2028

Diorama			
Description	Code	£ Ex VAT	£ Inc VAT
Diorama mono basin c/w clicker waste†	56.2028	159.00	190.80
Diorama bath filler†	56.2030	227.00	272.40
Diorama BSM inc kit*†	56.2031	261.00	313.20
Minimalist square /Type 10 Shower Handset**	98.0016	15.00	18.00

*Wall brackets sold separately. Ceramic disc technology.

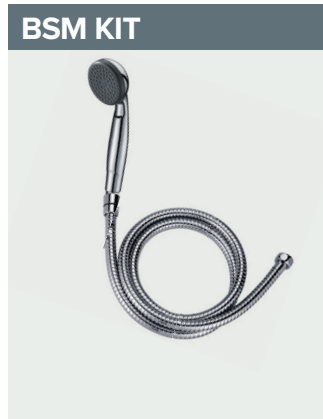
** 98.0016 handset as optional extra. While Stocks Last†



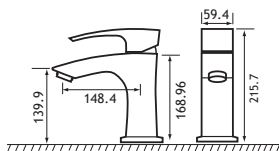
56.2030



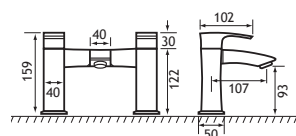
56.2031



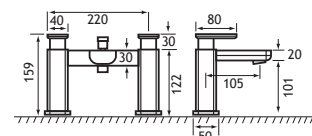
98.0016



56.2028



56.2030



56.2031

Hooper Range

HOOPER

MP



Hooper

Description	Code	£ Ex VAT	£ Inc VAT
Hooper mono basin c/w clicker waste†	56.2045	138.00	165.60
Hooper bath filler†	56.2046	219.00	262.80
Hooper BSM inc kit*†	56.2047	251.00	301.20

*Wall brackets sold separately. Ceramic disc technology. While Stocks Last†

MP



56.2045

MP

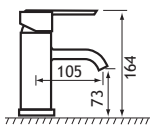


56.2046

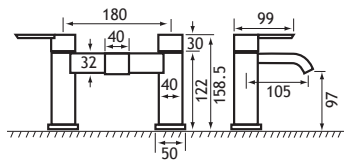
MP



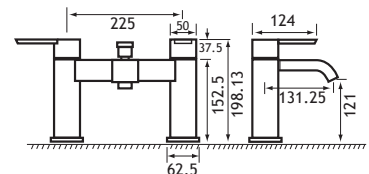
56.2047



56.2045



56.2046



56.2047

Prestwood Range

PRESTWOOD

MP



56.2078

Prestwood			
Description	Code	£ Ex VAT	£ Inc VAT
Prestwood Mono Basin	56.2078	121.00	145.20
Prestwood Bath Filler	56.2079	215.00	258.00
Prestwood BSM inc kit*	56.2080	264.00	316.80

*Wall brackets sold separately. Ceramic disc technology.

MP



56.2079

BSM KIT



MP

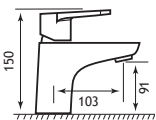


56.2078

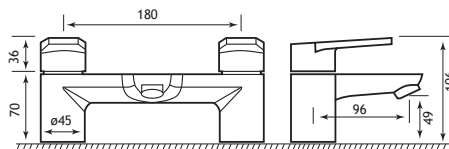
MP



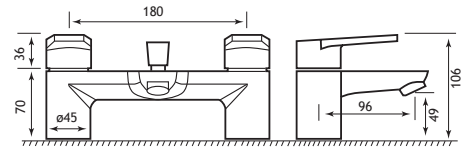
56.2080



56.2078



56.2079



56.2080

Biava Hi Flow & Linslade Range

BIAVA HI.FLOW

Biava Hi.flow

Description	Code	£ Ex VAT	£ Inc VAT
Biava Hi.Flow Basin Mono (inc waste)	93.0052	104.00	124.80
Biava Hi.Flow Bath Filler	93.0053	121.00	145.20
Biava Hi.Flow Bath Filler inc Diverter	93.0054	136.00	163.20

Ceramic disc technology.

Pressure (bar)	(litres/min)		
	Basin Mono (93.0052)	Bath Filler (93.0053)	BSM (93.0054)
0.1	6.8	9.5	9.3
0.5	13.6	22.1	21.6
1	18.8	32.1	30.8
2	26.4	43.6	43.2
3	32.1	53.4	53.3

Note: Pressure based on an open ended valve outlet without downstream resistance.

Required minimum operating pressure key

LP1 - 0.1 bar minimum

MP - 0.5 bar minimum



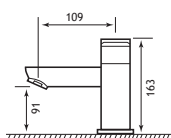
LINSLADE

Linslade

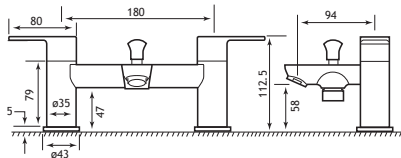
Description	Code	£ Ex VAT	£ Inc VAT
Linslade Mono Basin†	56.2070	121.00	145.20
Linslade Bath Filler†	56.2082	167.00	200.40
Linslade BSM inc kit*†	56.2083	211.00	253.20

*Wall brackets sold separately. Ceramic disc technology. While Stocks Last†

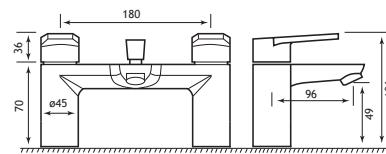
BSM KIT



56.2070



56.2083



56.2082

Newlyn Range & Thermostatic BSM



Ceramic disc technology on all products within range.

NEWLYN

Pressure (bar)	Flow (litres/min)	
	Bath Filler (93.0008)	BSM (93.0009)
0.5	7.1	7.0
1	9.9	9.7
2	13.7	13.5
3	16.7	16.5

Note: Pressure based on an open ended valve outlet without downstream resistance.

The Newlyn range is a traditional collection that brings an elegant touch to any bathroom.

Newlyn Basin Mono

Description	Code	£ Ex VAT	£ Inc VAT
Newlyn Basin Mono (inc waste)	93.0007	151.00	181.20



Newlyn Bath Filler

Description	Code	£ Ex VAT	£ Inc VAT
Newlyn Bath Filler	93.0008	214.00	256.80



Newlyn BSM Inc Kit

Description	Code	£ Ex VAT	£ Inc VAT
Newlyn BSM inc kit	93.0009	244.00	292.80



THERMOSTATIC BATH SHOWER MIXERS



93.0038 For Shower Kits see page 834-836

New Biava Wall Mounted Thermostatic BSM w/o Kit Chrome

Code	£ Ex VAT	£ Inc VAT
93.0038	159.00	190.80

Pressure LP1 (1 bar minimum)

- Fixing centres 150mm
- Chrome plated brass body
- Thermostatic control
- Ceramic disc cartridge technology
- Anti-scald function
- Built in diverter



Shower hose not included.

93.0038 Pressure (bar)	Flow (litres/min)
1	12
2	18.5
3	22.5

Note: At maintained equal inlet pressures with open outlet at mid blend temperature.



93.0039 For Shower Kits see page 834-836

Cotswold Wall Mounted Thermostatic BSM w/o kit

Code	£ Ex VAT	£ Inc VAT
93.0039	134.00	160.80

Pressure LP1 (1 bar minimum)

- Fixing centres 150mm
- Chrome plated brass body
- Thermostatic control
- Ceramic disc cartridge technology
- Anti-scald function
- Built in diverter



93.0039 Pressure (bar)	Flow (litres/min)
1	13.5
2	19.8
3	23.2

Note: At maintained equal inlet pressures with open outlet at mid blend temperature.



Pictured 93.0038 with 93.0040



93.0040

Deck Mounting Pillars Chrome

Code	£ Ex VAT	£ Inc VAT
93.0040	38.00	45.60

When fitted with 93.0038 / 93.0039, please change centre fixings from 150mm to 180mm

Leith Range

LEITH BASIN TAPS & MIXERS

MP



79.0020

Leith

Description	Code	£ Ex VAT	£ Inc VAT
Leith Bidet Mono inc push button waste	79.0018	104.00	124.80
Leith Basin Mono inc push button waste	79.0020	106.00	127.20
Leith Wall Mounted Basin Mixer	79.0022	108.00	129.60

Ceramic disc technology.

MP



79.0017

MP



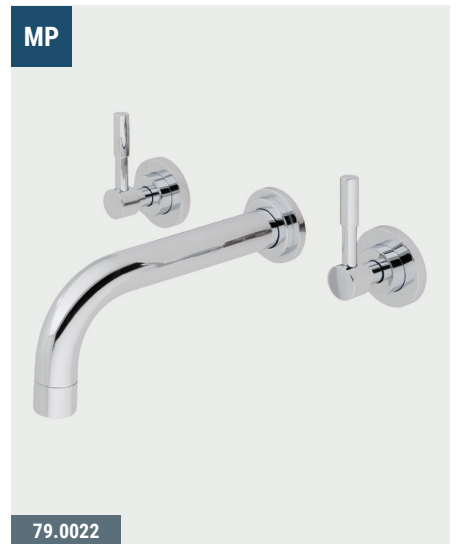
79.0018

MP

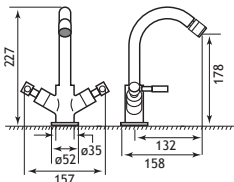


79.0020

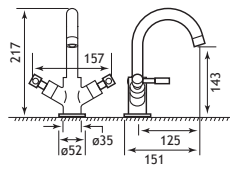
MP



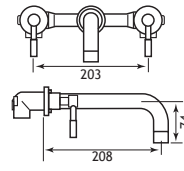
79.0022



79.0018



79.0020



79.0022

Pressure (bar)	Flow (litres/min)
0.1	9
0.5	18
1	29
2	43
3	51

Note: Pressure based on an open ended valve outlet without downstream resistance. Applies to bath filler only.

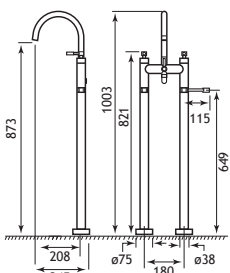
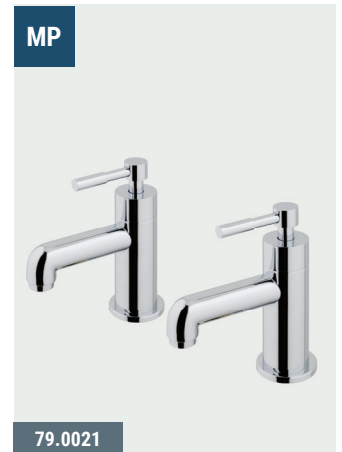
Leith Range

LEITH BATH TAPS & FILLERS

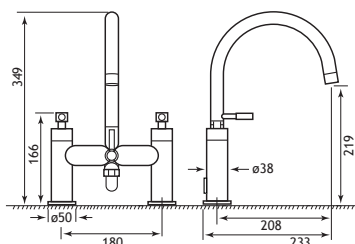


Leith			
Description	Code	£ Ex VAT	£ Inc VAT
Leith Floor Mounted BSM inc kit	79.0015	461.00	553.20
Leith BSM inc kit	79.0016	180.00	216.00
Leith Basin Taps	79.0017	88.00	105.60
Leith Bath Filler	79.0019	149.00	178.80
Leith Bath Taps	79.0021	112.00	134.40
Leith Wall Mounted Bath Filler	79.0023	109.00	130.80

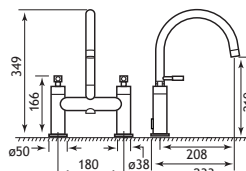
Ceramic disc technology.



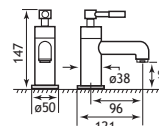
79.0015



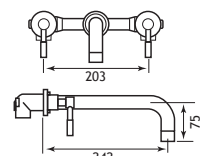
79.0016



79.0019



79.0021



79.0023

Abberton Range

ABBERTON RANGE

Available
February
2023

NEW



79.1034



79.1033

Abberton Basin Taps - Chrome

Description	Code	£ Ex VAT	£ Inc VAT
Abberton Mini Basin Mono with Waste	79.1031	75.00	90.00
Abberton Basin Mono with Waste	79.1034	83.00	99.60

* Available February 2023

Abberton Basin Taps - Black

Description	Code	£ Ex VAT	£ Inc VAT
Abberton Mini Basin Mono with Waste	79.1032	80.00	96.00
Abberton Basin Mono with Waste	79.1035	88.00	105.60

* Available February 2023

Abberton Basin Taps - Brushed Brass

Description	Code	£ Ex VAT	£ Inc VAT
Abberton Mini Basin Mono with Waste	79.1033	84.00	100.80
Abberton Basin Mono with Waste	79.1036	93.00	111.60

* Available February 2023

HP1

NEW



79.1031

HP1

NEW



79.1032

HP1

NEW



79.1033

MP

NEW



79.1034

MP

NEW



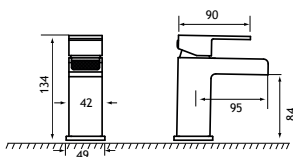
79.1035

MP

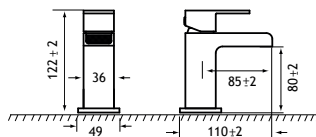
NEW



79.1036



79.1034 - 79.1035 - 79.1036



79.1031 - 79.1032 - 79.1033

Required minimum operating pressure key

LP1 - 0.1 bar minimum

MP - 0.5 bar minimum

Abberton Range

ABBERTON RANGE BATH FILLER



Abberton Range Chrome			
Description	Code	£ Ex VAT	£ Inc VAT
Abberton Bath Filler	79.1041	138.00	165.60
Abberton Bath Shower Mixer inc bracket, Handset & Hose	79.1037	162.00	194.40

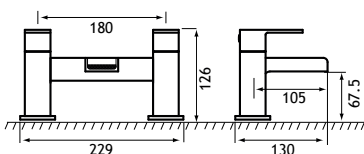
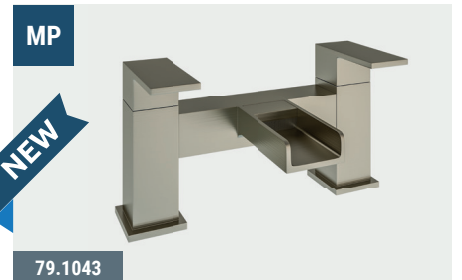
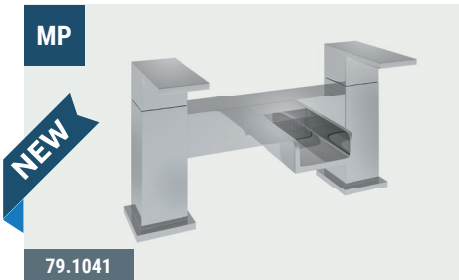
* Available February 2023

Abberton Range Black			
Description	Code	£ Ex VAT	£ Inc VAT
Abberton Bath Filler	79.1042	146.00	175.20
Abberton Bath Shower Mixer inc bracket, Handset & Hose	79.1038	176.00	211.20

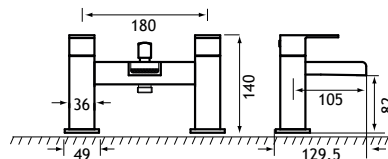
* Available February 2023

Abberton Range Brushed Brass			
Description	Code	£ Ex VAT	£ Inc VAT
Abberton Bath Filler	79.1043	155.00	186.00
Abberton Bath Shower Mixer inc bracket, Handset & Hose	79.1039	189.00	226.80

* Available February 2023



79.1037 - 79.1038 - 79.1039



79.1041 - 79.1042 - 79.1043

Pressure (bar)	Flow (litres/min)
0.5	18
1	29
2	43
3	51

Note: Pressure based on an open ended valve outlet without downstream resistance. Applies to bath filler only.

Portobello Range

PORTOBELLO

LP1



79.0004

Portobello

Description	Code	£ Ex VAT	£ Inc VAT
Portobello BSM inc kit	79.0001	218.00	261.60
Portobello Basin Mono inc click waste	79.0002	96.00	115.20
Portobello Bidet Mono inc pop up waste	79.0003	101.00	121.20
Portobello Basin Taps	79.0004	83.00	99.60
Portobello Bath Filler	79.0005	146.00	175.20
Portobello Bath Taps	79.0006	113.00	135.60

Ceramic disc technology.

Required minimum operating pressure key

LP1 - 0.1 bar minimum

LP1



79.0001

LP1



79.0002

LP1



79.0003

LP1 WRAS



79.0005

LP1



79.0006

Haymarket Range

HAYMARKET



LP1

79.0007

Haymarket			
Description	Code	£ Ex VAT	£ Inc VAT
Haymarket Standard Basin Taps	79.0007	66.00	79.20
Haymarket Luxury Basin Taps	79.0008	77.00	92.40
Haymarket Bath Taps	79.0009	80.00	96.00
Haymarket Basin Mono inc click waste	79.0010	84.00	100.80
Haymarket Bidet Mono inc pop up waste	79.0011	91.00	109.20
Haymarket Luxury BSM inc Kit	79.0012	225.00	270.00
Haymarket Standard BSM inc kit	79.0013	157.00	188.40
Haymarket Bath Filler	79.0014	151.00	181.20

Required minimum operating pressure key

LP1 - 0.1 bar minimum



LP1

79.0008



LP1

79.0009



LP1

79.0010



LP1

79.0011



LP1

79.0012



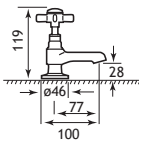
LP1

79.0013

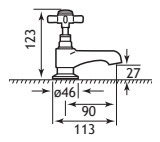


LP1

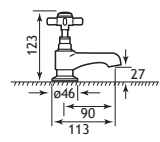
79.0014



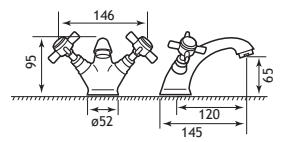
79.0007



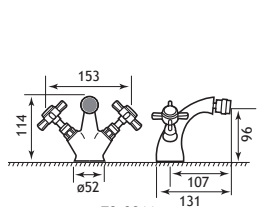
79.0008



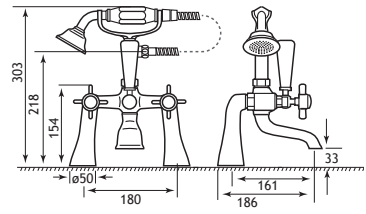
79.0009



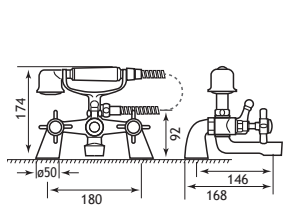
79.0010



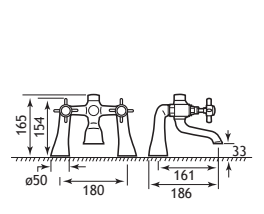
79.0011



79.0012



79.0013



79.0014

Stenhouse Range

STENHOUSE



79.0024

79.0024

Stenhouse			
Description	Code	£ Ex VAT	£ Inc VAT
Stenhouse Basin Taps	79.0024	55.00	66.00
Stenhouse Standard BSM inc kit	79.0025	127.00	152.40
Stenhouse Basin Mono inc click waste	79.0026	81.00	97.20
Stenhouse Bath Taps	79.0027	62.00	74.40
Stenhouse Bath Filler	79.0028	95.00	114.00
Stenhouse Luxury BSM inc kit	79.0029	151.00	181.20

Ceramic disc technology. 1/4 turn.

LP1



79.0027

LP1



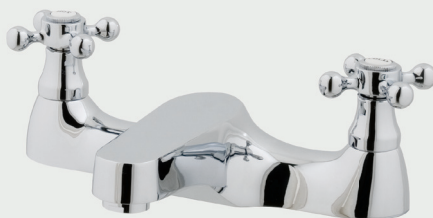
79.0026

LP1



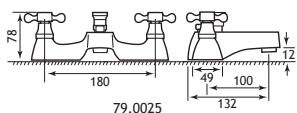
79.0025

LP1

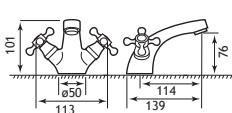


79.0028

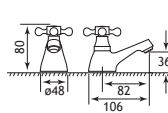
79.0029



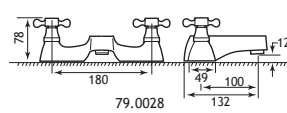
79.0025



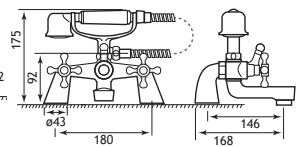
79.0026



79.0027



79.0028



79.0029

Kenton Range & Kitchen Taps

KENTON

Kenton			
Description (Chrome)	Code	£ Ex VAT	£ Inc VAT
Kenton Basin Taps†	41.2003	39.00	46.80
Kenton Bath Taps†	41.2004	41.00	49.20

Ceramic disc technology. †While stocks last.

FEATURES

- WRAS Certificate
- Made from brass - sterilisation and anti-rust



KITCHEN TAPS

Kitchen Taps & Wastes			
Description	Code	£ Ex VAT	£ Inc VAT
Mono Sink Mixer	93.0023	42.00	50.40
Mono Sink Mixer with pull out rinser	93.0024	80.00	96.00

†While stocks last.

MP - 0.5 bar minimum



Wastes, Levers & Accessories

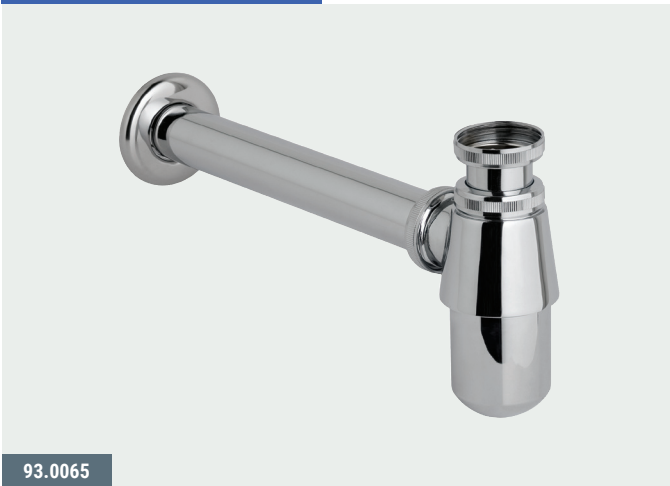
BATH WASTES



Bath Wastes			
Description	Code	£ Ex VAT	£ Inc VAT
Luxury bath pop up waste & overflow	25.0003	41.00	49.20
Luxury Bath Pop-up Waste + Overflow	41.2008	53.00	63.60
Bath Pop Up Waste & Overflow	56.2071	37.00	44.40
Superior Bath Pop Up Waste & Overflow	56.2072	40.00	48.00
Bath Combined Waste & Overflow	41.2009	24.00	28.80
Push button bath waste and overflow	7.0011	79.00	94.80
Ceramic Top Bath Waste	45.0001	57.00	68.40
Flipper Bath Waste	25.0007	38.00	45.60
Square Sprung Plug Bath Waste	98.0006	42.00	50.40
Extended Bath Pop-up Waste & Overflow	98.0008	38.00	45.60



BOTTLE TRAPS



Bottle Traps			
Description	Code	£ Ex VAT	£ Inc VAT
1.25" Bottle Trap inc Extender Tube	98.0017	41.00	49.20
Square Bottle Trap and Extension Tube	93.0050	70.00	84.00
Minimalist Bottle Trap	93.0065	39.00	46.80



LEVERS



Levers			
Description	Code	£ Ex VAT	£ Inc VAT
Metal Universal WC Lever	98.0011	14.00	16.80
Ceramic Handle WC Lever	98.0012	17.00	20.40



Wastes, Levers & Accessories

BASIN WASTES

Basin Wastes			
Description	Code	£ Ex VAT	£ Inc VAT
Push button basin waste	25.0002	22.00	26.40
Basin Waste, Ball Chain, Solid Plug	98.0007	18.00	21.60
Sprung Plug Basin Waste Unslotted	98.0002	21.00	25.20
Push button basin waste	56.2073	30.00	36.00
Flip top basin waste - slotted	25.0006	19.00	22.80
Flip top basin waste - unslotted	25.0005	19.00	22.80
Basin Waste Link Chain Brass Plug	98.0003	19.00	22.80
Push button basin waste	41.2010	42.00	50.40
Ceramic Top Basin Waste	45.0000	26.00	31.20



Basin Waste pictured with Helston Basin Mono (White)

FRAMES

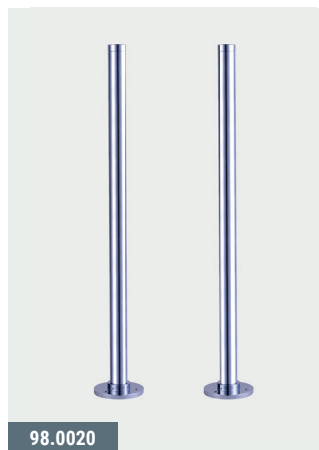
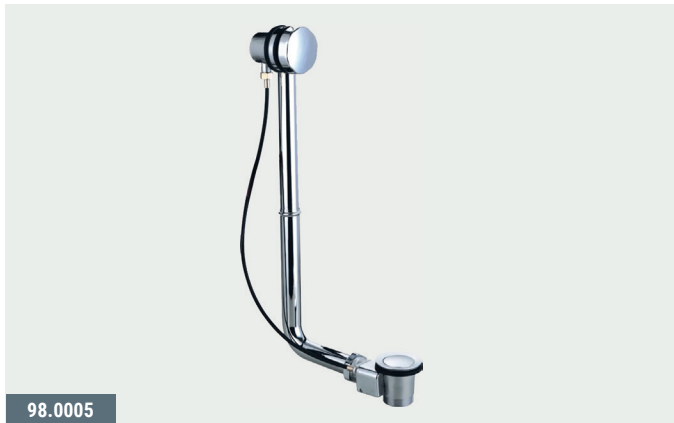
Frames			
Description	Code	£ Ex VAT	£ Inc VAT
Wall Hung pan/bidet brackets -	21.149B	190.00	228.00
Mirage frame 310 x 345	73.0003	156.00	187.20
L-Shape wall hung pan/bidet brackets	90.0010	76.00	91.20



Roll Top & Freestanding Bath Accessories

Roll Top & Freestanding Bath Accessories

Description	Code	£ Ex VAT	£ Inc VAT
Shallow Seal Trap	98.0010	86.00	103.20
Adjustable Stand pipes for concealing water supply	98.0013	97.00	116.40
Stand pipes for concealing water supply pipes	98.0020	110.00	132.00
Roll Top Bath Waste Pack	98.0004	253.00	303.60
Exposed Bath Pop Up Waste	98.0005	130.00	156.00
Exposed bath pop up waste	25.0001	152.00	182.40



MISCELLANEOUS

Roll Top & Freestanding Bath Accessories

Description	Code	£ Ex VAT	£ Inc VAT
Volente Luxury Metal Chrome Shower Waste	41.5000	31.00	37.20
Pressure reducing valve 15mm x 15mm†	41.3000	74.00	88.80
90mm Shower Waste	12.040	26.00	31.20
Fischer Bolts Set - basin to Wall	9.201	18.00	21.60
Fischer bolts set - pan to floor - top fixing	9.202	14.00	16.80
Fischer cloakroom/corner basin brackets	9.203	19.00	22.80
Fischer bolts set - pan to floor - side fixing	9.204	24.00	28.80
Top access easy clean shower waste	25.0004	18.00	21.60
Deck Shower Kit*	98.0001	76.00	91.20

†While stocks last.



41.3000 Pressure reducing valve is suitable for water temperature up to 80°C and inlet pressures up to 16 bar. The outlet pressure can be adjusted between 1 bar and 6 bar. Typically these valves are used on the incoming water supply.

Eastbrook Co Terms & Conditions

We deliver all goods on our own dedicated transport fleet to ensure a speedy and problem-free service, however, in the unlikely event that goods are delivered wrong or damaged, it is the responsibility of the customer to ensure sufficient time is allowed for a replacement to be sent.

1. DEFINITIONS

In these terms and conditions, the following words shall have the following meanings:

'Buyer' shall mean any person, Eastbrook or company, to whom Eastbrook supplies Goods or Services or with whom Eastbrook enters into negotiations for the supply of Goods or Services.

'Eastbrook' shall mean Brian Michael Douous and Nicolas Brian Douous (each a "Partner" together the "Partners") trading as "Eastbrook Co." or "Woodstock".

'Goods' shall mean products, articles or things which are supplied by or which are the subject of negotiations for supply by Eastbrook to the Buyer.

'Services' shall mean services are supplied by or which are the subject of negotiations/ or supply by Eastbrook to the Buyer.

2. MAKING THE CONTRACT

2.1 Eastbrook's salesmen are not authorised representatives and are not authorised to accept confirm or vary any order nor to make any representation or promise on Eastbrook's behalf

2.2 Any estimate/quotation which comprises an invitation to treat is open for a period of 30 days only from the date thereof, provided that Eastbrook has not previously withdrawn it. Any order issued by the Buyer is subject to acceptance by Eastbrook and a contract will only be formed when Eastbrook has accepted the Buyer's offer to buy in writing. Any offer made by the Buyer must be confirmed in writing by the Buyer.

2.3 All orders are placed under these terms and conditions alone.

2.4 These terms and conditions exclude any other terms and conditions inconsistent therewith which a Buyer might seek to impose even though such other terms and conditions may be submitted in a later document and/or purport to exclude or supersede any terms or conditions with them or may be contained in any offer acceptance or counter-offer made by the Buyer.

2.5 No variation of these terms and conditions is permitted unless expressly accepted by a Partner of Eastbrook in writing.

3. CANCELLATION

3.1 No cancellation by the Buyer is permitted except where expressly agreed by a Partner of Eastbrook in writing.

3.2 The Buyer will in the event of agreed cancellation by the Buyer indemnify Eastbrook fully against all expenses incurred up to the time of such cancellation together with by way of liquidated damages a sum of 33 1/3% of the contract price which shall be paid by the Buyer to Eastbrook Forthwith.

4. PRICE

4.1 All prices quoted are those ruling at the date of dispatch or supply.

4.2 Unless otherwise stated all prices quoted are nett, exclusive of VAT, and in the case of Goods ex works.

4.3 Eastbrook reserves the right at any time prior to delivery of the Goods or supply of Services to adjust the price to take account of any increase in the cost of raw materials, labour or services or any currency fluctuations affecting the cost of imported materials or services.

5. TERMS OF PAYMENT

5.1 All sums become due and payable under these terms and conditions not later than 14 days from date of invoice.

5.2 Time for payment shall be of the essence.

5.3 The Buyer shall have no right to set off, statutory or otherwise.

5.4 If the Buyer (being a Company) has a petition for its winding-up or passes a resolution for voluntary winding-up otherwise than for the purpose of a bona fide amalgamation or reconstruction or compounds with its creditors or has a receiver appointed or all or any part of its assets or (being an individual) becomes bankrupt or insolvent or enters into any arrangement with its creditors or commits a material or serious breach of this Agreement (and in the case of such a breach being remediable fails to remedy it within 7 days of receiving notice to do so) he will be deemed to have repudiated the Contract.

5.5 Eastbrook reserves the right at any time at its discretion to demand security for payment before continuing with or delivering any Order, supplying any Goods or Services.

6. DELIVERY

6.1 Delivery will be deemed to have been effected when the Goods are ready for collection at the premises of Eastbrook or as the case may be the premises of the suppliers to Eastbrook in circumstances where the Goods are delivered direct from such suppliers.

6.2 Time of delivery is not of the essence.

6.3 Eastbrook shall not be liable for any loss whatsoever or howsoever arising caused by its non-delivery or by the failure to make Goods ready for collection on the due date.

6.4 Eastbrook reserves the right to make delivery by instalments and to tender a separate invoice in respect of each instalment.

6.5 When delivery is to be by instalments or Eastbrook exercises its right to deliver by instalments under clause 6.4 hereof or if there be delay in the delivery of any one or more instalments for whatever reason this will not entitle the Buyer to treat the contract as repudiated and/or to damages.

6.6 Deviations in quantity between the Goods delivered and Goods ordered representing not more than 10 per cent by value shall not give the Buyer any right to reject the Goods or to claim damages and the Buyer shall be obliged to accept and pay at the contract rate for the quantity of the Goods delivered.

7. SUPPLY OF SERVICES

7.1 Time for the supply of Services is not of the essence.

7.2 Eastbrook shall not be liable for any loss whatsoever or howsoever arising caused by its failure to supply Services or any part thereof on the due date.

7.3 Eastbrook reserves the right to supply Services by instalments and to tender a separate invoice in respect of each instalment.

7.4 When the supply of Services is to be by instalments or Eastbrook exercises its right to supply Services by instalments under clause 7.3 hereof or if there be a delay in the supply of any one or more instalments of Services for whatever reason this will not entitle the Buyer to treat the contract as repudiated or to damages.

7.5 Deviation in the quantity between Services supplied and the Services ordered representing not more than 10 per cent by value shall not give the Buyer any right to reject the Services or to claim damages and the Buyer shall be obliged to accept and pay at the contract rate for the quantity of the Services supplied.

8. RISK AND THE PASSING OF PROPERTY IN GOODS

8.1 Risk in the Goods shall pass to the Buyer when the Goods are delivered.

8.2 Notwithstanding risk in the Goods passing in accordance with clause 8.1 hereof title in the Goods shall not pass to the Buyer until whichever shall be the first to occur of the following-

8.2.1 payment being received by Eastbrook for the Goods and Services and no other amounts then being outstanding from the Buyer to Eastbrook in respect of other Goods or Services supplied by Eastbrook

8.2.2 the Buyer selling the Goods in accordance with the provisions of these terms and conditions in which case title to the Goods shall be deemed to have passed to the Buyer immediately prior to delivery of the Goods to the Buyer's customers; and

8.2.3 Eastbrook waiving its rights under this clause 8.2 in respect of specified Goods or Services whereupon title to the said Goods shall forthwith vest in the Buyer.

8.3 The Buyer is licensed by Eastbrook to use or to agree to sell the Goods

delivered to the Buyer subject to the express condition that the entire proceeds of any sale are held in trust for Eastbrook and are not mixed with other moneys or paid into an overdraft bank account and shall at all times be identifiable as Eastbrook's moneys.

8.4 Until title to the Goods passes:
8.4.1 The Buyer will hold the Goods as fiduciary agent and bailee for Eastbrook;

8.4.2 The Goods shall, subject to clause 8.3, be kept separate and distinct from all other property of the Buyer and of third parties and in good and substantial repair and condition and be stored in such a way as to be clearly identifiable as belonging to Eastbrook;

8.4.3 Eastbrook may at any time revoke the power of sale and use contained in clause 8.3 by notice to the Buyer if the Buyer is in default for longer than 14 days in the payment of any sum whatsoever due to Eastbrook (whether in respect of the Goods or any other Goods or Services supplied at any time by it to the Buyer) or if Eastbrook has bona fide doubts as to the solvency of the Buyer;

8.4.4 The Buyer's power of sale and use contained in clause 8.3 shall automatically cease if the Buyer has a petition presented for its winding-up or passes a resolution for voluntary winding-up otherwise than for the purpose of a bona fide amalgamation or reconstruction or compounds with its creditors or has a receiver appointed of all or any part of its assets or becomes bankrupt or insolvent or enters into any arrangements with creditors or takes or suffers any similar action in consequence of debts or carries out or undergoes any analogous act or proceeding under foreign law;

8.4.5 upon determination of the Buyer's power of sale and use pursuant to clause 8.4.3 or clause 8.4.4, the Buyer shall place any of the Goods in its possession or under its control and unsold at the disposal of Eastbrook and Eastbrook shall be entitled to enter upon any premises of the Buyer for the purpose of removing such Goods.

8.5 Eastbrook shall at any time be entitled to appropriate any payments made by the Buyer in respect of any Goods or Services in settlement of such invoices or accounts in respect of such Goods or Services and may in its absolute discretion think fit notwithstanding any purported appropriation to the contrary by the Buyer.

9. LIEN AND STOPPAGE

9.1 Until such time as the title in the Goods has passed to the Buyer Eastbrook has the right to withhold or detain if the Buyer (being a Company) has a petition presented for its winding-up or passes a resolution for voluntary winding-up otherwise than for the purpose of a bona fide amalgamation or reconstruction or compounds with its creditors or has a receiver appointed of any part of its assets or (being an individual) becomes bankrupt or insolvent or enters into any arrangements with creditors or takes or suffers any similar action in consequence of debts or carries out or undergoes any analogous act or proceedings under foreign law.

9.2 When the title in the Goods has passed to the Buyer and the time for payment has failed due but payment has not been made or if the Buyer (being a Company) has a petition presented for its winding-up or passes a resolution for voluntary winding-up otherwise than for the purposes of a bona fide amalgamation or reconstruction or compounds with its creditors or has a receiver appointed of all or any part of its assets or (being an individual) becomes bankrupt or insolvent or enters into any arrangements with creditors or takes or suffers any similar act or proceedings under foreign law Eastbrook has

9.2.1 a lien on the Goods so long as Eastbrook is in possession of them

9.2.2 a right of stoppage in transit

9.2.3 a right of resale

9.3 For the avoidance of doubt it is hereby declared that nothing in this clause shall affect the rights given to Eastbrook by ss.38-48 of the Sale of Goods Act 1979.

10. INSPECTION/SHORTAGES

10.1 The Buyer is under a duty to inspect the Goods forthwith on delivery and satisfy himself as to the due performance of Services forthwith after supply.

10.2 Eastbrook shall be under no liability for any defects or shortages that would be apparent on careful inspection if the terms of this clause are not complied with, and, in any event will be under no liability if a written complaint is not made to Eastbrook within 7 days of delivery or supply detailing the alleged defect or shortage.

10.3 In all cases where defects or shortages in respect of Goods are complained of Eastbrook shall be under no liability in respect thereof unless an opportunity to inspect the Goods is given to Eastbrook before any use is made thereof or any alteration or modification is made thereto by the Buyer.

10.4 Subject to clauses 10.2 and 10.3 Eastbrook shall make good any defect or shortage in the Goods and where appropriate replace any Goods damaged in transit as soon as it is reasonably able to do so, but otherwise shall be under no liability whatsoever or howsoever arising from such defect, shortage or damage.

10.5 Subject to clause 10.4 Eastbrook shall remedy any defect in the supply of Services as soon as it is reasonably able to do so but otherwise shall be under no liability whatsoever or howsoever arising from such defect

11. WARRANTY

11.1 No representation or warranty is given as to the suitability or fitness of the Goods or Services for any particular purpose and the Buyer shall satisfy himself in this respect and shall be totally responsible therefore

11.2 If the Goods are in such a state or the Services so defectively supplied as would but for this condition entitle the Buyer to repudiate the contract and/or claim damages from Eastbrook Eastbrook reserves the right to repair or replace the Goods or perform the Services (or the relevant part thereof) again.

12. LIABILITY

12.1 Introduction

12.1.1 Nothing in this clause 12 shall be deemed to exclude or restrict Eastbrook's liability for death or personal injury resulting from Eastbrook's negligence.

12.1.2 Each of the sub-clauses in this clause 12 is to be treated as separate and independent.

12.1.3 Eastbrook is willing to undertake liability additional to that provided by this clause 12 in exchange for a higher price.

12.2 Exclusion

12.2.1 Eastbrook agrees that if any defect caused by faulty design, manufacture, materials or workmanship is discovered during the period of 3 months commencing with the date of delivery or supply, Eastbrook will remedy any defect at its own expense or, in the case of Goods if it chooses to do so, replace them. Defects caused by abnormal use, misuse, neglect or wilful or accidental damage are not covered by this clause.

12.2.2 The Buyer cannot claim the benefit of clause 12.2.1 above unless: he informs Eastbrook of the relevant defect in writing within 7 working days of discovering it, and

in the case of Goods, he returns the Goods to Eastbrook at his own expense.

12.2.3 The risk of accidental loss whilst any Goods are being returned to Eastbrook will be borne by the Buyer.

12.2.4 Notwithstanding clause 12.2.1 above, if the manufacturer of any Goods has provided any guarantee of such Goods for a period longer than three months (a "Manufacturer's Extended Guarantee"), Eastbrook shall use its reasonable endeavours to transfer to the Buyer the benefit of any such Manufacturer's Extended Guarantee in respect of the Goods, provided that Eastbrook may in its absolute discretion elect to do so only at the cost of the Buyer.

12.2.5 Any Manufacturer's Extended Guarantee is for the Buyer only who must complete a return and registration form within 30 days of purchase. Manufacturer's Extended Guarantees are not transferable to third parties and do not cover previously installed products such as ex-station displays. Failure to complete and return a registration form to Eastbrook within the 30 day period will result in the guarantee on such Goods being limited to that stated in clause 12.2.1 above.

12.2.6 Manufacturer's Extended Guarantees cover Goods which are used for normal domestic use only and are not applicable to Goods which are used for commercial use (i.e. hotels, residential homes, leisure facilities etc).

12.2.7 In the event that a manufacturer of Goods providing a Manufacturer's

Extended Guarantee pursuant to clause 12.2.3 above ceases trading and/ or no longer honours such guarantee, Eastbrook shall have no liability whatsoever to the Buyer with respect to such Manufacturer's Extended Guarantee.

12.2.8 If the benefit of a Manufacturer's Extended Guarantee is transferred to the Buyer, subject always to clause 12.2.1 above and further subject to the defect not being as a result of fair wear and tear, Eastbrook shall only be liable to provide replacement parts. For the avoidance of doubt, Eastbrook excludes any consequential costs involved in the fitting of such parts. Furthermore, with respect to the following these additional terms are applicable:

Perishable components such as non-glass or metallic parts (e.g. plastic parts, seals, wheels etc), are excluded from a Manufacturer's Extended Guarantee.

Shower and bath screens: Glass and seals for such products are excluded from a Manufacturer's Extended Guarantee.

Towel rails and radiators: Such products must be individually earthed when installed for a Manufacturer's Extended Guarantee to apply.

12.2.9 If, in the sole opinion of Eastbrook, the Goods which are the subject of the Manufacturer's Extended Guarantee have been modified, misused or neglected or have been wilfully or accidentally damaged, Eastbrook shall not be liable under the Manufacturer's Extended Guarantee for the failure of the Goods.

12.2.10 No claim under a Manufacturer's Extended Guarantee will be accepted if Goods have been stalled with a fault that would have been clearly visible before installation. A Manufacturer's Extended Guarantee does not cover any Goods which have been modified, altered, transformed or relocated in any way.

12.2.11 Claims under a Manufacturer's Extended Guarantee must be made by the Buyer within 7 working days of the defect being discovered.

12.2.12 In consideration for receiving the benefit of this clause, the Buyer agrees that, apart from those terms set out in clause 10 and 11, all other terms, whether conditions, warranties or innominate terms, express or implied, statutory or otherwise, are excluded from the contract between Eastbrook and the Buyer to the extent permitted by law (except where the Buyer deals as consumer within section 12 of the Unfair Contract Terms Act 1977 when the terms implied by sections 13, 14 and 15 of the Sale of Goods Act 1979 shall be implied into the contract).

12.3 Exclusion of Consequential Loss

Eastbrook shall not be liable for any consequential or indirect loss suffered by the Buyer whether such loss arises from breach of a duty in contract or tort or in any other way (including loss arising from Eastbrook's negligence) including, without limitation to the generality of the foregoing:

- loss of profits;

- loss of contracts;

- damage to property of the Buyer or anyone else; or

- personal injury to the Buyer or anyone else (except so far as such injury is attributable to Eastbrook's negligence).

12.4 Limitation Eastbrook's total liability for any one claim or for the total of all claims arising from any one act or default of Eastbrook (whether arising from Eastbrook's negligence or otherwise) shall not exceed the contract price of the Goods.

13. FORCE MAJEURE

13.1 Eastbrook shall not be liable for any failure to deliver the Goods or perform the Services arising from circumstances outside Eastbrook's control.

13.2 Non-exhaustive illustrations of such circumstances would be act of God, war, riot, explosion, abnormal weather conditions, fire, flood, strikes, lockouts, Government action or regulations (UK or otherwise), delay by suppliers, accidents and shortage of materials, labour or manufacturing facilities.

13.3 Whilst Eastbrook is prevented from delivering the Goods or performing the Services in the above circumstances, it shall give the Buyer written notice of this fact as soon as reasonably practicable after discovering it.

13.4 If the circumstances preventing delivery of the Goods or performing the Services are still continuing three months after the Buyer receives Eastbrook's notice, then either party may give written notice to the other cancelling the contract.

13.5 If the contract is cancelled in this way, Eastbrook will refund any payment which the Buyer has already made on account of the price (subject to deduction of any amount Eastbrook is entitled to claim from the Buyer) but Eastbrook will not be liable to compensate the Buyer for any further loss or damage caused by the failure to deliver the Goods or perform the Services.

14. SALES PROMOTION DOCUMENTATION

Whilst Eastbrook takes every precaution in the preparation of its catalogue, technical circulars, price lists and its other literature, these documents are for the Buyer's general guidance only and the particulars contained therein shall not constitute representations by Eastbrook and Eastbrook shall not be bound thereby.

15. USE OF DATA

15.1 If the Buyer provides any data relating to the business of the Buyer to Eastbrook for any purpose, then the Buyer agrees that Eastbrook may hold such data and use it in relation to the supply of Goods, to process payment and to inform the Buyer (including all its staff) of other Goods or Services that Eastbrook may offer from time to time. Eastbrook will hold all data relating to the Buyer in accordance with our privacy policy and privacy statements in force from time to time and which is available on demand.

15.2 The Buyer agrees that Eastbrook may share any data referred to in clause 15.1 with third parties only where it is necessary for the provision of the Goods or Services supplied by Eastbrook and further that the Buyer shall hold Eastbrook harmless for the misuse of such data by those third parties.

15.3 In relation to any data supplied by the Buyer to Eastbrook regarding the Buyer's customers, the Buyer warrants and represents that they have obtained consent to share such data with Eastbrook (whether this relates to remedial services or the replacement of Goods or otherwise) and the Buyer agrees to indemnify and keep indemnified, Eastbrook from and against any losses, damages, liability, costs (including legal fees) and expenses incurred by Eastbrook as a result of or in connection with the Buyer's breach of this Clause.

16. NOTICES

Any notice to be given hereunder shall be in writing and shall be deemed to have been duly given if sent or delivered to the party concerned at its address specified overhead or such other address as that party may from time to time notify in writing and shall be deemed to have been served, if sent by post, 48 hours after posting.

17. ASSIGNMENT

Neither Eastbrook nor the Buyer shall assign or purport to assign or transfer the contract or the benefits thereof to any other person without prior written consent of the other.

18. SEVERANCE

18.1 If any provision of this contract (or part of any provision) is or becomes illegal, invalid or unenforceable, the legality, validity and enforceability of any other provision of the Contract shall not be affected.

18.2 If any provision of the contract (or part of any provision) is or becomes illegal, invalid or unenforceable but would be legal, valid and enforceable if some part of it was deleted or modified, the provision or part-provision in question shall apply with such deletions or modifications as may be necessary to make the provision legal, valid and enforceable. In the event of such deletion or modification, the parties shall negotiate in good faith in order to agree the terms of a mutually acceptable alternative provision.

19. PROPER LAW AND JURISDICTION

The Contract shall be governed by and construed in accordance with English law and all disputes arising in connection with the contract shall be submitted to the jurisdiction of the English Courts.

20. HEADINGS

The headings of these conditions are for convenience only and shall have no effect on the interpretation thereof.



New
Product
Selections
Inside



UK Mainland Edition
January 1st - July 31st 2023

Eastbrook Co.

Eastbrook Road, Gloucester GL4 3DB

Tel: 01452 317800

Fax: 01452 330494

For Sales / Enquiries: sales@eastbrookco.com

For Orders Only: orders@eastbrookco.com

For Technical Enquiries: technical@eastbrookco.com