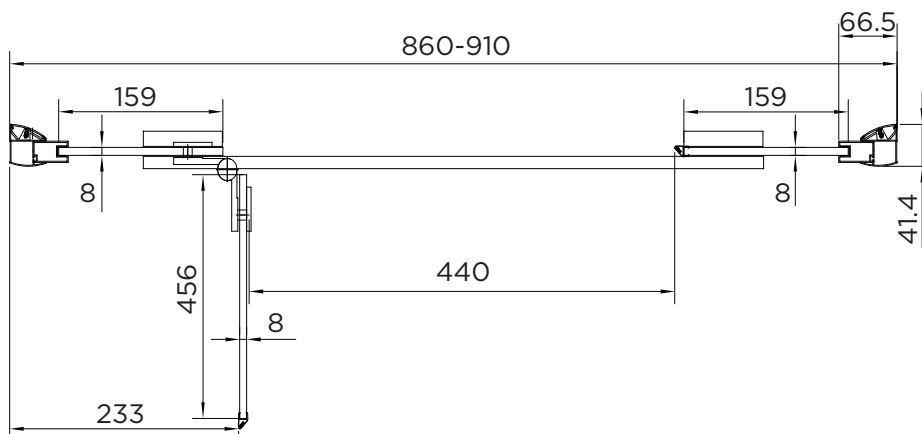




SPECIFICATION  
 inline  
 HINGE DOOR RECESS

RANGE	INLINE
PRODUCT	HING DOOR RECESS
CODE	AQ1011S
SIZE	900
PROFILE COLOUR	SILVER
GLASS THICKNESS	8mm
GLASS FINISH	CLEAR
GLASS TREATMENT	CLEAN & CLEAR™
HEIGHT	1950
ADJUSTMENT IN RECESS	860-910
ADJUSTMENT WITH SIDE PANEL	N/A
OPTIONAL SIDE PANEL	N/A
APERTURE	440
GUARANTEE	LIFETIME
CE	EN14428
GLASS BS EN	EN12150-1T
PROFILE MATERIAL	ALUMINUM/6463#
HANDLE MATERIAL	STAINLESS STEEL
ROLLER MATERIAL	N/A
QUICK RELEASE ROLLERS	N/A
FIXED PANEL SIZE	159x2
MOVING PANEL SIZE	456
PRODUCT HAND	UNIVERSAL
PRODUCT WEIGHT	39.5KG
PACKAGED DIMENSIONS	2030x510x106
BARCODE	5031978043275



\*All shower enclosures carry a Lifetime Guarantee when fitted with an Aquadart shower tray, a 10 year Guarantee will be given when fitted with any other manufacturer's tray.

To register your Guarantee visit: [www.aquadart.co.uk](http://www.aquadart.co.uk) | Spare Parts available at: [www.aprilaquadartspares.co.uk](http://www.aprilaquadartspares.co.uk)

All measurements in mm and are nominal