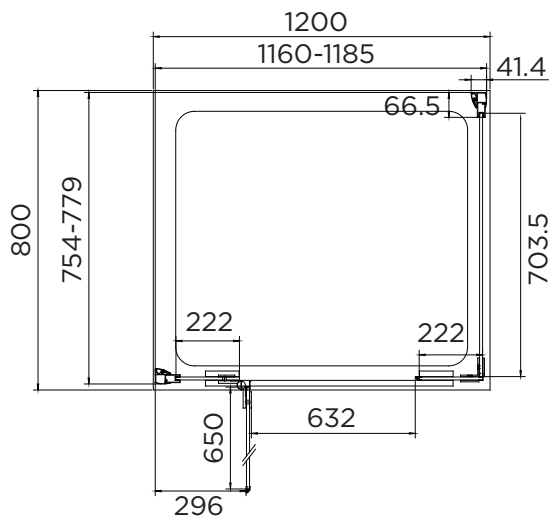




SPECIFICATION
 inline
 HINGE DOOR 2 SIDED

| | |
|----------------------------|------------------------------|
| RANGE | INLINE |
| PRODUCT | HINGE DOOR 2 SIDED |
| CODE | AQ1020S |
| SIZE | 1200x800 |
| PROFILE COLOUR | SILVER |
| GLASS THICKNESS | 8mm |
| GLASS FINISH | CLEAR |
| GLASS TREATMENT | CLEAN & CLEAR™ |
| HEIGHT | 1950 |
| ADJUSTMENT IN RECESS | N/A |
| ADJUSTMENT WITH SIDE PANEL | 1160-1185(DOOR)/754-779(S.P) |
| OPTIONAL SIDE PANEL | YES |
| APERTURE | 632 |
| GUARANTEE | LIFETIME |
| CE | EN14428 |
| GLASS BS EN | EN12150-1T |
| PROFILE MATERIAL | ALUMINUM/6463# |
| HANDLE MATERIAL | STAINLESS STEEL |
| ROLLER MATERIAL | N/A |
| QUICK RELEASE ROLLERS | N/A |
| FIXED PANEL SIZE | 222x2/703.5(S.P) |
| MOVING PANEL SIZE | 650 |
| PRODUCT HAND | UNIVERSAL |
| PRODUCT WEIGHT | 86KG |
| PACKAGED DIMENSIONS | 2030x786x170 |
| BARCODE | 5031978043350 |



*All shower enclosures carry a Lifetime Guarantee when fitted with an Aquadart shower tray, a 10 year Guarantee will be given when fitted with any other manufacturer's tray.

To register your Guarantee visit: www.aquadart.co.uk | Spare Parts available at: www.aprilaquadartspares.co.uk

All measurements in mm and are nominal