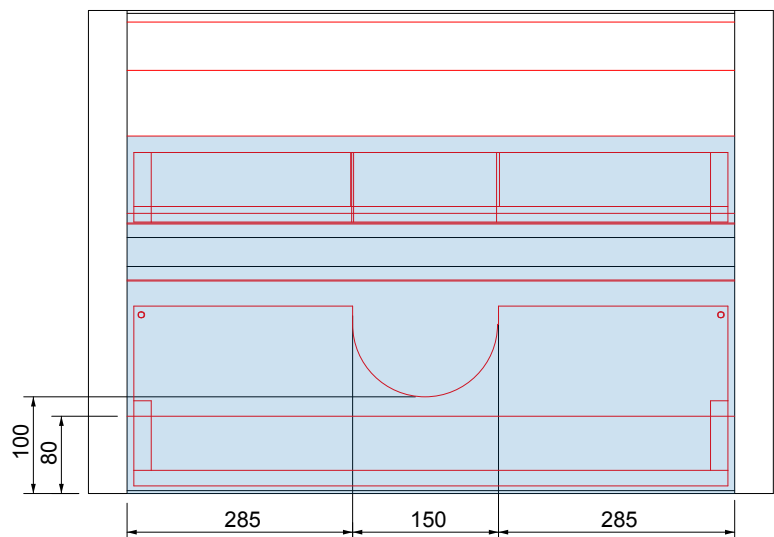
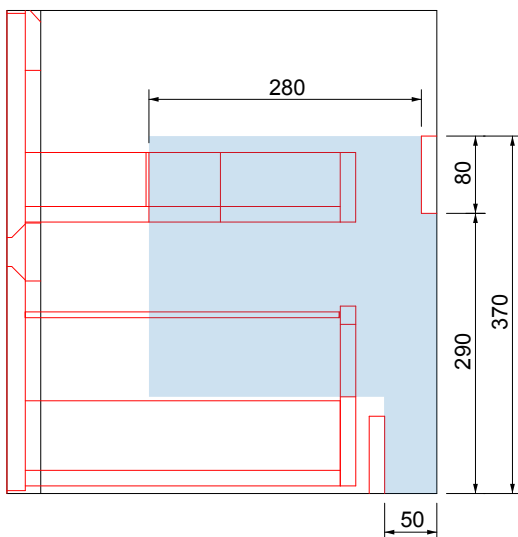


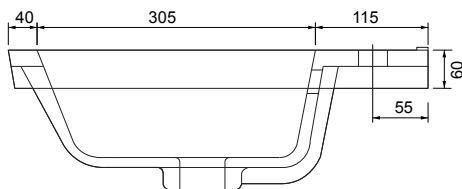
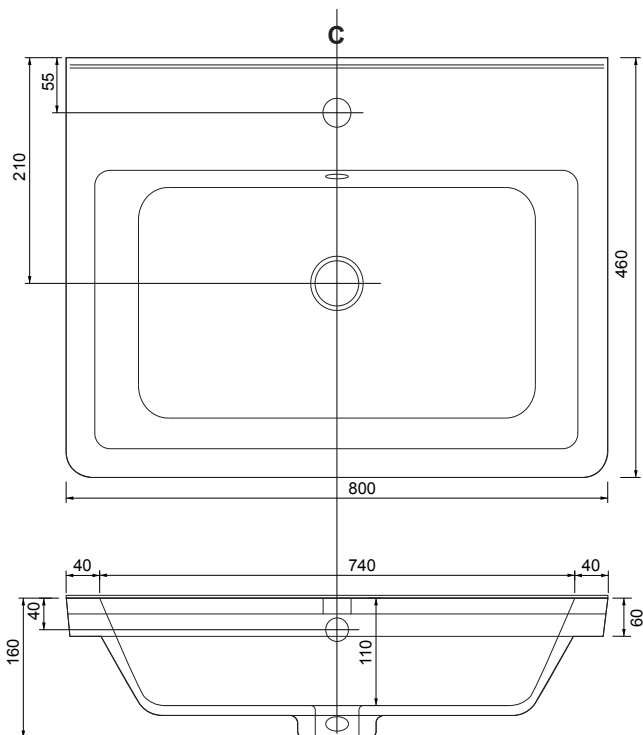


PRODUCT	SORA 800 VANITY CARCASS
UNIT SIZE	800w x 445d x 500h
BASIN OPT1	LAMBRO 800w x 460d x 60h
BASIN OPT2	PRESPA 805w x 480d x 15h

FITTING ADVICE

- The shaded areas indicate the clear voids for the running of services.
- To aid installation, it is recommended to remove the drawers to give full access and to avoid damage.
- This unit is heavy. A secure wall fixing is required.
- Recommended height from floor to top of vanity unit carcass is 810mm.
- All wall to carcass and wall to basin joints should be sealed with silicone.
- All dimensions are in mm.



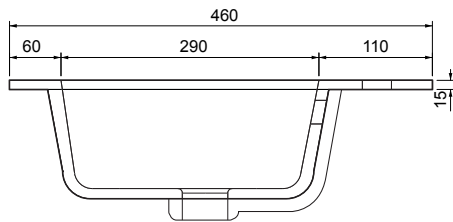
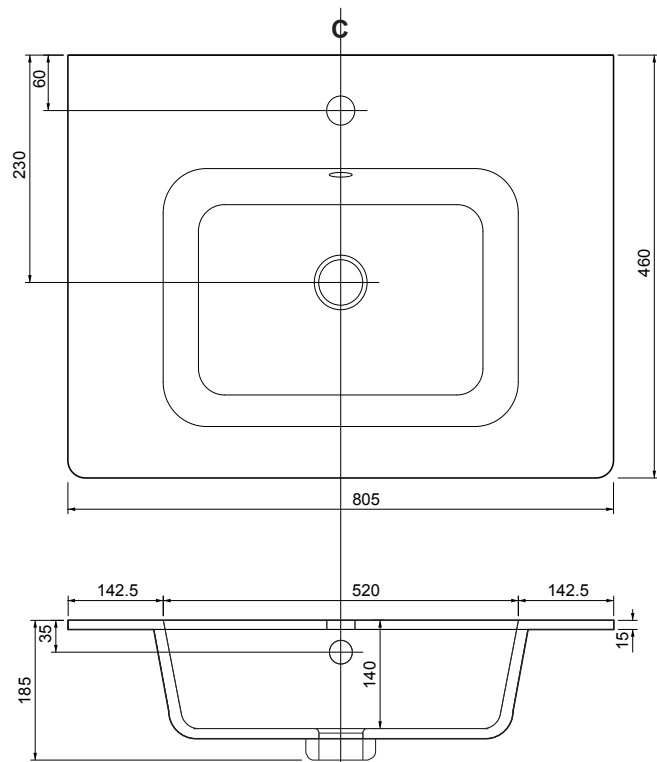


CERAMIC BASINS

Ceramic Basins are made out of liquefied fireclay which is poured into a mould and allowed to set before being hand finished. A ground glass glaze would typically be sprayed over the basin before the final firing.

This long-lasting, durable material suits a simple and minimalistic bathroom suite as well as a traditional Victorian look. Stains are easily removed and ceramic is generally easy to clean to maintain a shiny appearance. The slight ripples occasionally seen along its surface are often mistaken for flaws these are actually part of the ceramic basins characteristics.





CERAMIC BASINS

Ceramic Basins are made out of liquefied fireclay which is poured into a mould and allowed to set before being hand finished. A ground glass glaze would typically be sprayed over the basin before the final firing.

This long-lasting, durable material suits a simple and minimalistic bathroom suite as well as a traditional Victorian look. Stains are easily removed and ceramic is generally easy to clean to maintain a shiny appearance. The slight ripples occasionally seen along its surface are often mistaken for flaws these are actually part of the ceramic basins characteristics.



To aid installation, it is recommended to remove the drawers to give full access and to avoid damage.

1. Fit the hanging plate to the wall using suitable fixings for the substrate.
2. Hang vanity carcass on the hanging plate and level.
3. Second fix through the rear bar locations.
4. Silicone around the top of the unit and place basin.
5. Silicone around the rear of the unit at wall abutment.
6. Re-fit the drawers.

